

TekSpan[®]

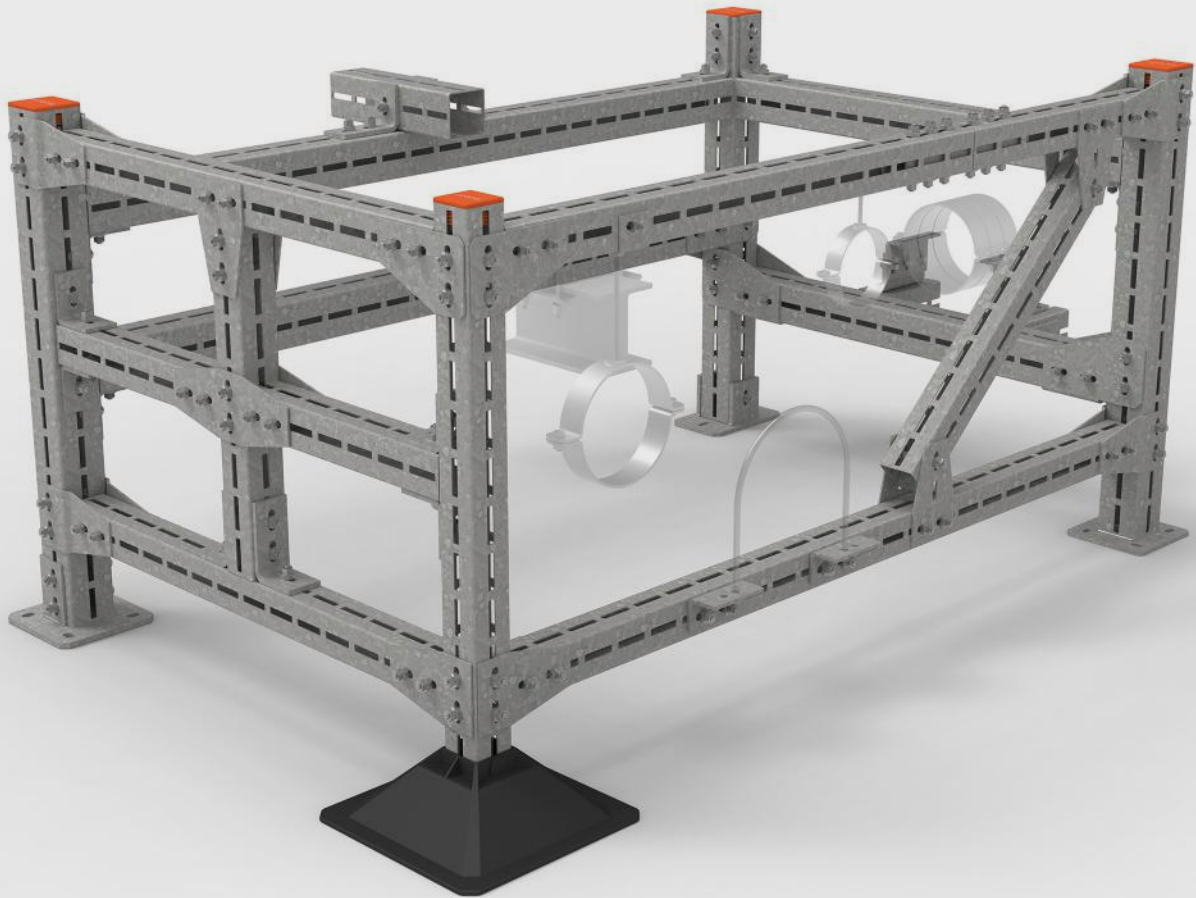
Industrial
Modular Steel
Frame System

Industrial Modular Steel Frame System

TekSpan enables contractors and installers to build a frame on site that provides similar strength qualities to welded steel frames, but can be easily transported to site and erected quickly in situ. Based on a hot dipped galvanised box frame and using a unique T-bolt fastening system, TekSpan has been installed on many projects throughout Europe and is stocked in the UK for fast delivery to site.



- ✓ Avoid bulky and awkward logistics on frame installs
- ✓ Build support frames faster and more efficiently
- ✓ Erect a complete frame using just a torque wrench
- ✓ Avoid hot-works permit requirements on site
- ✓ Fast and easy to level up
- ✓ Superior strength properties to channel and other frame brands
- ✓ Full design capability
- ✓ Available in 80mm or 100mm variants
- ✓ Patented T-bolt fastening system



Go modular to get the job done

Modular steel frames are becoming the go-to product for supporting heavy loads, and tall or wide spans. Boasting a number of real-life advantages over pre-fabricated frames, not least speed of installation and versatility, TekSpan is fast becoming the recognised and requested name in the world of modular support frames.

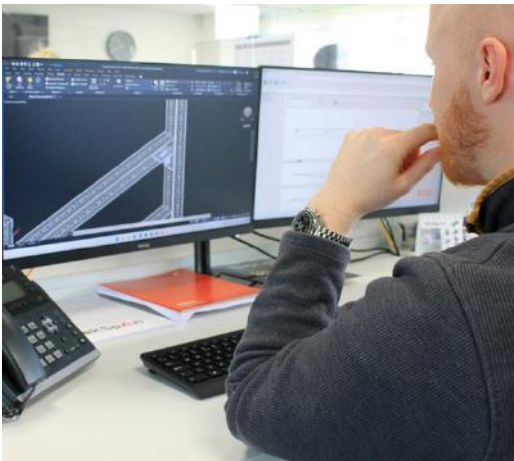
TekSpan gives arguably the best mix of cost-efficiency and problem-solving capabilities, with its simple, strong design, and is ideal for permanent or temporary support solutions. Finished in hot dip galvanised steel, TekSpan is suitable for use in both internal and external environments and needs nothing more than a 19mm socket to assemble.



Project Support

From initial project discussion through to delivery of the components or custom-built frame, we're here to support you and help your project complete on time. With years of experience in addressing complex M&E and HVAC project challenges we're keen to help you find the TekSpan solution for your individual project requirements. Need a site visit to get the scope of the job, or demonstrate the TekSpan advantage to your team in person? - no problem, just talk to us and we'll be glad to help.

And of course, early engagement in the project is always a good idea, in order to maximise the efficiencies and value TekSpan can bring you.



Design Service

Whether you're looking for a simple goalpost-style or AHU deck frame, or a full data centre support frame package designed and calculated, we have the experience and expertise you need.

We can escalate intricate loading challenges to our qualified design engineers to ensure that the proposal we make is fit for purpose. Or if you prefer, we're also happy to share the TekSpan CAD files for you to draw up your own frame designs; either way, our aim is to make designing TekSpan frames a simple and hassle-free experience.

TekSpan - where orange is green

And with scrutiny of the environmental impact of various construction materials ever increasing, TekSpan again shines; apart from the T-lock bolt, every part of the TekSpan system is reusable and can be repurposed in future frame designs, making it not just a low carbon solution to a project's longevity, but a very cost-efficient one too.



Reduce lead times, reduce logistics, increase productivity

Modular frames such as TekSpan don't suffer from the challenges that prefabricated frames bring to site installations. Instead of building off site and requiring extensive logistics input to get the frame onto site, TekSpan allows you to simply build rigid frames in situ from a minimal number of components. So no hiring in of cranes to lift frames off artic lorries onto the site, no road closures for the crane, and no large vehicle access required.

And with large stock of profiles and brackets held in two UK locations, TekSpan is available for delivery to mainland UK sites within 24 hours and can be transported easily and efficiently using standard delivery vehicles.



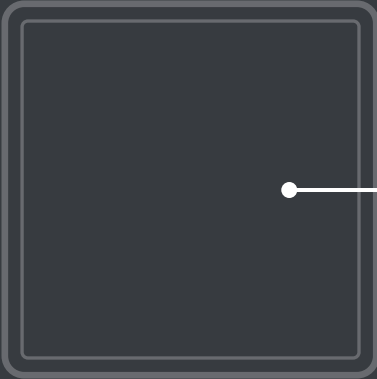


Good for the whole site

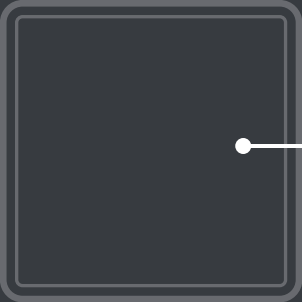
TekSpan is often used in locations where fabricated frames are difficult to transport to, such as in basement rooms or as rooftop supports, thanks to its modular assembly method. No hot works permits required on site, no detailed welding or drilling to manufacture frames to, no finishing of bare metal required, no long-winded adjustment of feet to match floor levels to, and minimal overall site disruption. And it's also super-quick to attach the ubiquitous Unistrut®-style frame system to.

TekSpan works for everyone on the site, not just the mechanical and electrical contractors.

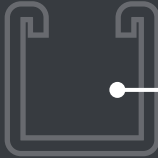
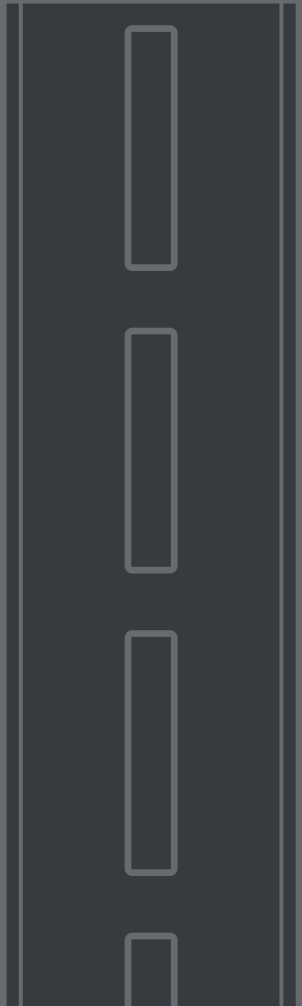
Industrial Modular Steel Frame System



TekSpan®
100mm Profile



TekSpan®
80mm Profile



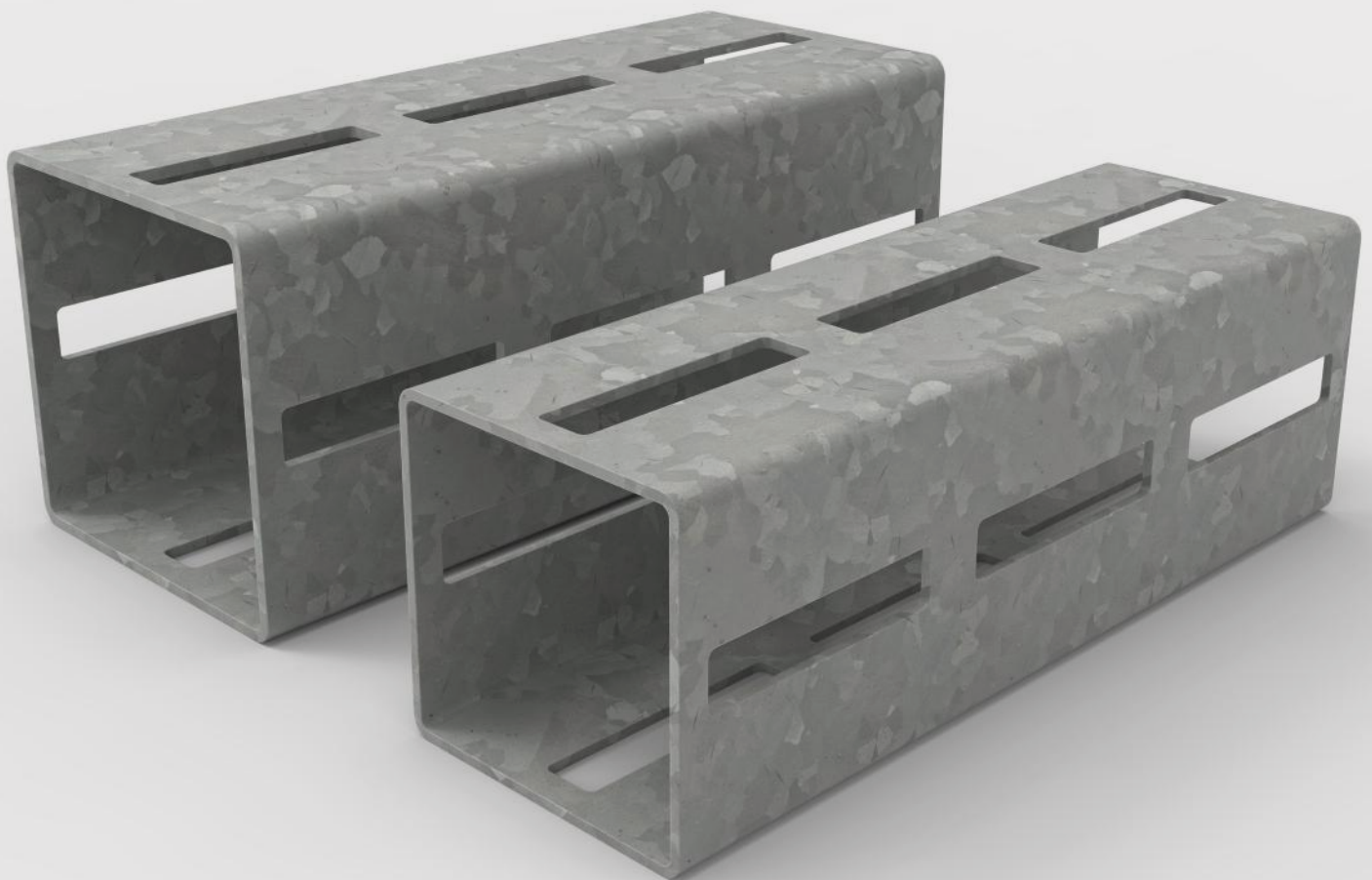
41x41 Channel
(Shown for comparison)



TekSpan® Pre-Slotted Profile Lengths

The skeleton of the TekSpan system; high grade pre-slotted profiles supplied in hot dip galvanised finish, for ultimate longevity in external or internal applications. Available in 80x80x2.5mm, or 100x100x3mm variants, TekSpan profiles are delivered in 6m lengths and can be simply cut on site using a chopsaw to achieve the required length. With a high loadbearing capacity, TekSpan fills the gap between regular Unistrut-style channel and primary steel beams, and accommodates direct connection to Unistrut too, making it the ideal main frame for smaller services to tap off from.

Use with T-lock bolts and the wide range of available brackets to achieve the support frame you need.



Code	Description	Dimensions
R950-806	TekSpan® HDG 80mm Profile Length	80mm x 80mm x 6m (2.5mm thick)
R950-807	TekSpan® HDG 100mm Profile Length	100mm x 100mm x 6m (3.0mm thick)

Industrial Modular Steel Frame System



Lock it in

With T-lock, the profile and joining bracket are securely clamped together with a positive mechanical clamp action - so no screwing through one part of the frame to another. T-lock bolts lock on securely - very, very securely.

Additionally the T-lock bolt is of zinc nickel construction, salt-spray tested to 720 hours, and presents no issues with zinc whiskers for data centre installations.

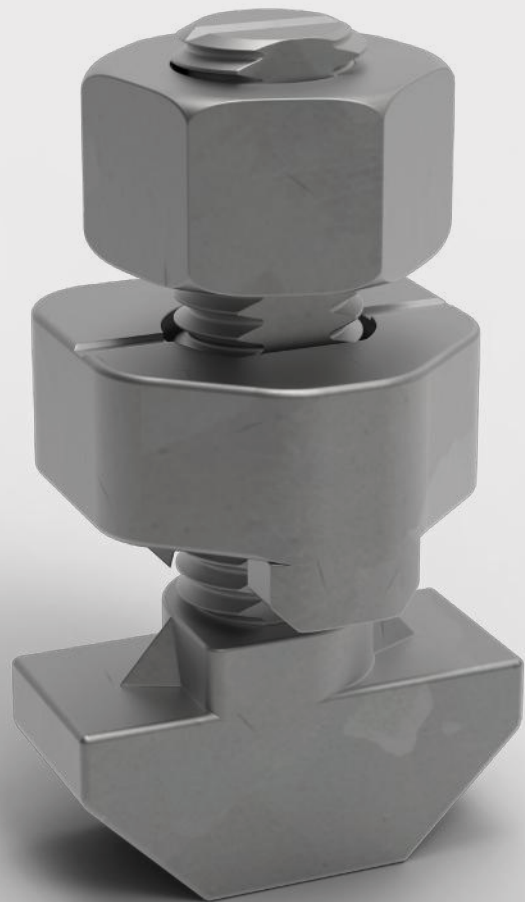


Bolt, don't screw **TekSpan® T-Lock Bolt**

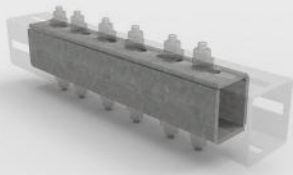
At the heart of the TekSpan system is the patented T-lock bolt. This unique M12 hammerhead bolt is made from 10.9 high grade steel, giving it up to 10kN shear strength, and needs no special tools to install - just a 19mm socket on a torque wrench.

New for 2024

Improved design with slotted lock washer makes installation even simpler.



Code	Description	Dimensions
R951-510	TekSpan® T-Lock Bolt	M12 x 40mm



TekSpan® Connector Set

Two piece in-line jointing set to enable end-to-end profile connection for 80mm and 100mm TekSpan profile sizes

Code	Description	Dimensions
R954-150	TekSpan® Connector Set	59mm x 67mm x 380mm



TekSpan® End Caps

End caps for finishing / capping off frame terminations

Code	Description	Dimensions
R952-040	TekSpan® end cap for 80mm profile	80mm x 80mm x 30mm
R952-050	TekSpan® end cap for 100mm profile	100mm x 100mm x 48mm



TekSpan® 2-Hole Angle Bracket

Two hole 90° angle bracket for mounting profiles at right angles. 8mm thick

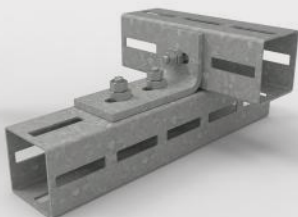
Code	Description	Dimensions
R954-112	TekSpan® 2-hole angle bracket for 80mm frame profiles	70mm x 100mm x 100mm



TekSpan® 3-Hole Angle Bracket

Three hole 90° angle bracket for mounting profiles at right angles with extra load bearing. 10mm thick

Code	Description	Dimensions
R954-114	TekSpan® 3-hole angle bracket for 80mm profile	70mm x 100mm x 150mm
R954-115	TekSpan® 3-hole angle bracket for 100mm profile	90mm x 100mm x 150mm



TekSpan® 3-Hole Angle Bracket Cross Mount

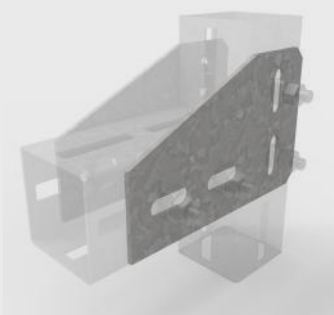
Three hole 90° cross mount bracket allowing for longitudinal adjustment when installing. 9mm thick (80mm) and 10mm thick (100mm)

Code	Description	Dimensions
R954-116	TekSpan® 3-hole angle cross mount for 80mm profile	70mm x 150mm x 75mm
R954-117	TekSpan® 3-hole angle cross mount for 100mm profile	90mm x 150mm x 100mm

TekSpan® Corner Plates

Pair of corner plate brackets, for facefixing of a 90° horizontal joint

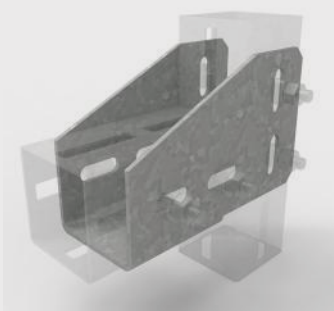
Code	Description	Dimensions
R954-118	TekSpan® corner plate for 80mm frame. 5mm thick	205mm x 130mm x 5mm
R954-119	TekSpan® corner plate for 100mm frame. 6mm thick	230mm x 140mm x 6mm



TekSpan® Saddle Bracket

Saddle bracket for extra strength in joining 100mm profiles at 90°

Code	Description	Dimensions
R954-110	TekSpan® saddle bracket 100mm profile. 6mm thick	230mm x 140mm x 112mm



TekSpan® T-Plate Brackets

Pair of T-plate brackets, for face-fixing of a 90° vertical joint

Code	Description	Dimensions
R954-120	TekSpan® T-plate for 80mm frame. 5mm thick	205mm x 130mm x 5mm
R954-121	TekSpan® T-plate for 100mm frame. 6mm thick	240mm x 200mm x 6mm



TekSpan® Cranked T-Plate Brackets

Pair of cranked T-Plates for connecting 80mm profiles to 100mm profiles

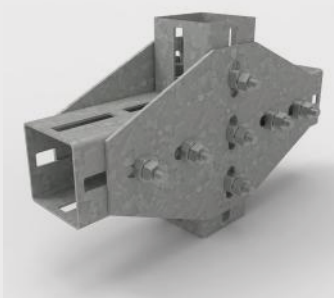
Code	Description	Dimensions
R954-124	TekSpan® cranked T-plate. 5mm thick	235mm x 130mm x 15mm

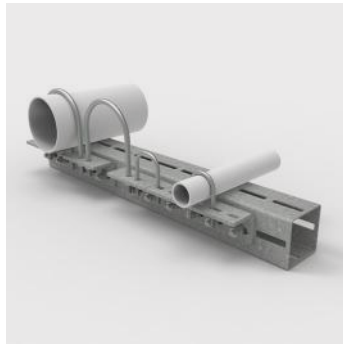


TekSpan® Cross Plates

Pair of cross plate brackets for connecting 80mm and 100mm frame profiles

Code	Description	Dimensions
R954-122	TekSpan® cross plate for 80mm profile. 5mm thick	340mm x 130mm x 5mm
R954-123	TekSpan® cross plate for 100mm profile. 6mm thick	370mm x 200mm x 6mm





TekSpan® Pipe Holder Set

Pipe holders for mounting U-bolts directly to 80mm and 100mm frame profiles

Code	Description	Dimensions
R954-140	TekSpan® pipe holder for 21.3-76.1mm pipes	120mm x 65mm x 65mm
R954-145	TekSpan® pipe holder for 88.9-219.1mm pipes	130mm x 65mm x 65mm



TekSpan® U-Bolt Bracket

Coming Soon

Unique angled-slot U-bolt mounting bracket, for all pipe sizes from 80 to 275mm. Mounts on TekSpan 80mm vertical profile.

Code	Description	Dimensions
R954-185	TekSpan® U-bolt bracket for 80-275mm pipes	310mm x 125mm x 170mm

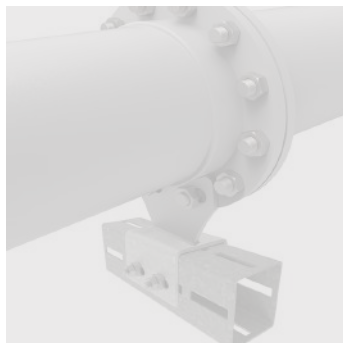


TekSpan® Vertical Flange Bracket

Coming Soon

Pipe flange support bracket, for use with PN16 pipe flanges from DN150 to DN300. Mounts on TekSpan 80mm vertical profile.

Code	Description	Dimensions
R954-180	TekSpan® vertical flange brackets - DN150-300	302mm x 190mm x 100mm

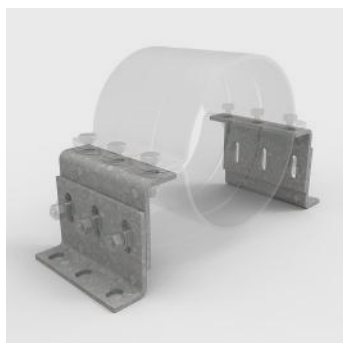


TekSpan® Horizontal Flange Bracket

Coming Soon

Pipe flange support bracket, for use with PN16 pipe flanges from DN300 to DN450. Mounts on TekSpan 100mm horizontal profile.

Code	Description	Dimensions
R954-187	TekSpan® horizontal flange bracket - DN300-DN450	TBC



TekSpan® Fixpoint Bracket

Height-adjustable bracket for fixing pipe without insulation

Code	Description	Dimensions
R954-175	TekSpan® fixpoint bracket	160mm x 100mm

TekSpan® Roller Bearing Axial Pipe Slide

Absorption of axial length expansion of standing, hanging, horizontal or vertical pipe with 1x female thread socket

Code	Description	Dimensions
R954-156	TekSpan® roller bearing axial pipe slide M12	190mm x 120mm x 65mm
R954-157	TekSpan® roller bearing axial pipe slide M16	190mm x 120mm x 65mm



TekSpan® Roller Bearing Duo Axial Pipe Slide

Absorption of axial length expansion of standing, hanging, horizontal or vertical pipe with 2x female thread sockets

Code	Description	Dimensions
R954-158	TekSpan® roller bearing duo axial pipe slide M12	380mm x 120mm x 65mm
R954-159	TekSpan® roller bearing duo axial pipe slide M16	380mm x 120mm x 65mm



TekSpan® Thread Connector

Profile to threaded rod connector, for fixing rods and suspension of threaded fasteners

Code	Description	Dimensions
R952-060	TekSpan® thread connector M10	M10
R952-065	TekSpan® thread connector M12	M12



TekSpan® Heavy Duty Thread Connector

For mounting on TekSpan profile to make M16 threaded connections. Zinc-nickel plated.

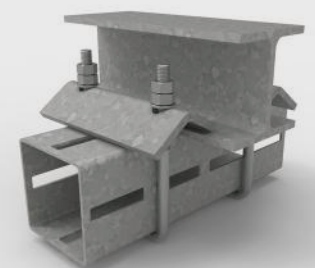
Code	Description	Dimensions
R952-066	TekSpan® thread connector 80mm profile. 4mm thick	90mm x 64mm x 70mm
R952-067	TekSpan® thread connector 100mm profile. 4mm thick	110mm x 74mm x 70mm

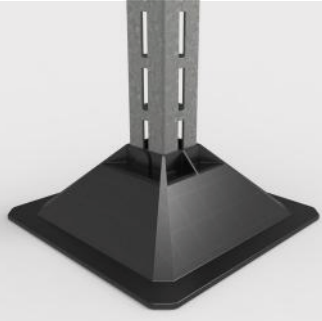


TekSpan® Beam Connector Clamp

Beam connector clamp, for securing profiles to I-beams and girders

Code	Description	Dimensions
R952-070	TekSpan® beam clamp for 80mm profiles	160mm x 160mm x 100mm
R952-075	TekSpan® beam clamp for 100mm profiles	180mm x 200mm x 100mm

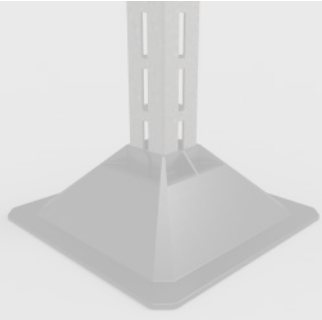




TekSpan® HDPE Square Foot

HDPE square foot for supporting 80mm profile with anti-vibration foam pad

Code	Description	Dimensions
R605-387	TekSpan® 400mm square foot for 80mm profile	400mm x 400mm x 140mm

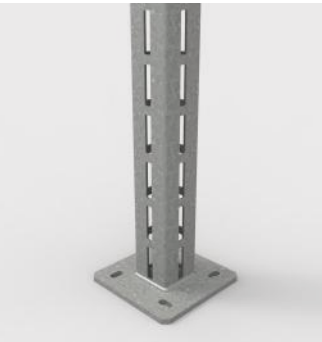


TekSpan® Rubber Square Foot

Recycled rubber square foot for supporting 80mm or 100mm profile

Coming Soon

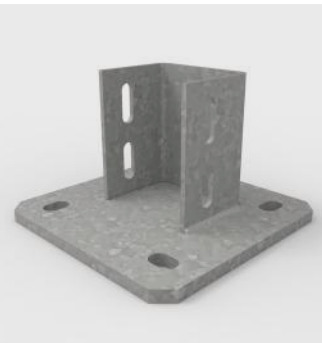
Code	Description	Dimensions
R605-386	TekSpan® rubber square foot for 80mm profile	350mm x 350mm x 110mm
R605-389	TekSpan® rubber square foot for 100mm profile	500mm x 500mm x 130mm



TekSpan® Integral Baseplate Foot and Profile

Integral baseplate foot and profile section for lower height installs and wall mounting

Code	Description	Dimensions
R954-105	TekSpan® integral foot and 80mm profile	720mm x 200mm x 200mm
R954-106	TekSpan® integral foot and 80mm profile	1440mm x 200mm x 200mm
R954-107	TekSpan® integral foot and 100mm profile	720mm x 220mm x 220mm



TekSpan® Baseplate

Bolt-down baseplate for floor or wall mounting

Code	Description	Dimensions
R954-125	TekSpan® baseplate for 80mm profile	200mm x 200mm x 140mm
R954-135	TekSpan® baseplate for 100mm profile	220mm x 220mm x 140mm



TekSpan® Holder Plate

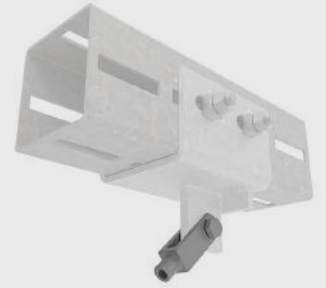
Holder plate for mounting frames, with the facility to support angled connections

Code	Description	Dimensions
R953-115	TekSpan® vertical holder plate for 80mm profile	260mm x 140mm x 120mm
R953-116	TekSpan® horizontal holder plate for 100mm profile	160mm x 320mm x 120mm
R953-117	TekSpan® vertical holder plate for 100mm profile	260mm x 160mm x 120mm

TekSpan® Clevis Yoke

Use with TekSpan clevis yoke connector to provide tension with M12/M16 threaded rod.

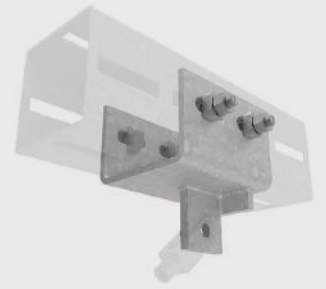
Code	Description	Dimensions
R954-162	TekSpan® M12 clevis yoke	M12
R954-172	TekSpan® M16 clevis yoke	M16



TekSpan® Clevis Yoke Connector

Connect to 100mm TekSpan profile to use as a lifting point, or with the optional clevis yoke to provide tension using M12/M16 threaded rod.

Code	Description	Dimensions
R954-160	TekSpan® M12 clevis yoke connector for 100mm profile	113mm x 86mm x 130mm
R954-170	TekSpan® M16 clevis yoke connector for 100mm profile	113mm x 96mm x 130mm



TekSpan® T-Lock Bolt with Steel Disc

Recommended for connecting standard Unistrut® channel to TekSpan

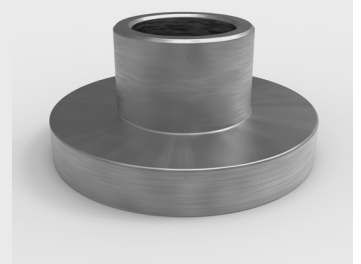
Code	Description	Dimensions
R951-520	TekSpan® T-Lock Bolt with steel disc	M12 x 40mm



TekSpan® Anchor Adapter Ring

Stepdown M16 - M12 ring insert for baseplate feet to enable M12 fixings to be used

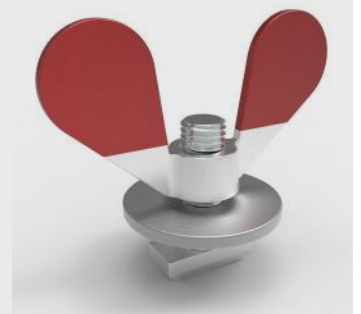
Code	Description	Dimensions
R954-155	TekSpan® anchor adapter ring M16 - M12	34.5mm x 17.5mm



TekSpan® FixBOB

Useful reusable tool for aiding slot alignment during installation

Code	Description	Dimensions
R951-500	TekSpan® FixBOB	M12 x 44mm



The modular steel frame system for

- Data Centres
- Plant Rooms
- Waste Transfer Stations
- Risers
- Water Treatment Centres
- AD Plants
- Pipework Support Frames
- Heavy Duty Roof Frames
- Plant Skids
- Gantries





Benefits of TekSpan



Similar loading properties to welded steel frames



Well suited for installation in challenging environments



No on-site welding needed



33% cheaper than traditional steel frames



No need for heavy lifting equipment



Fits in the back of a van to simplify logistics



Super simple levelling



Assembled with only an impact driver or torque wrench



Carried by hand



Bracketry hot dip galvanised to minimum 85micron thickness

TekSpan Support

TekSpan products come with extensive support from expert project advice to technical design services.



Bespoke Frames



Project Calculations



Full component package from design to delivery



Project Team CPD Training

It works with TekSpan

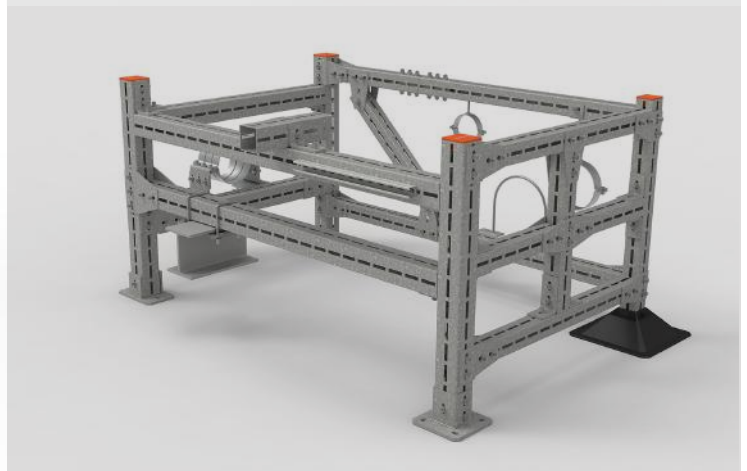
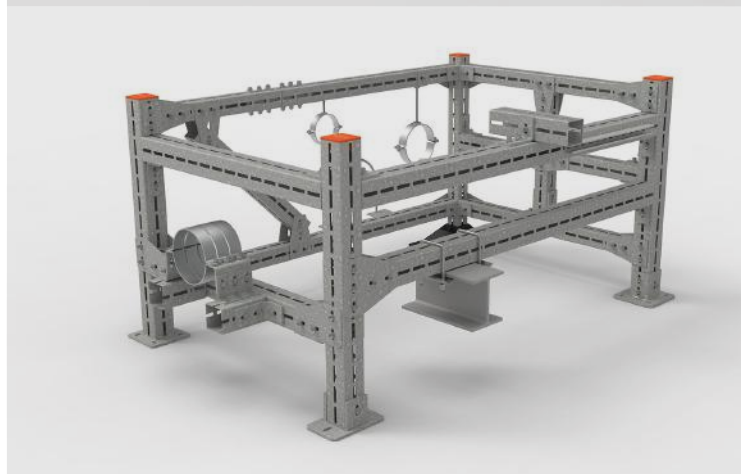
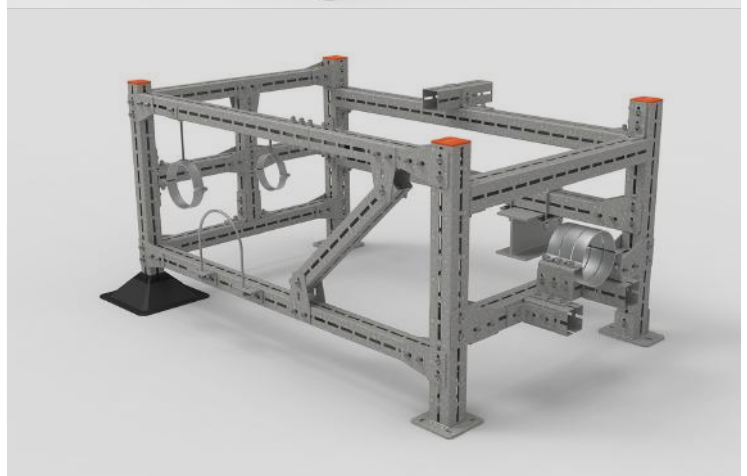
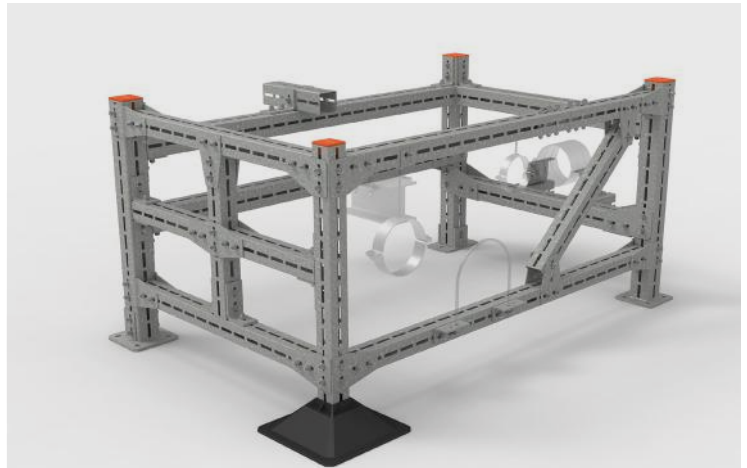
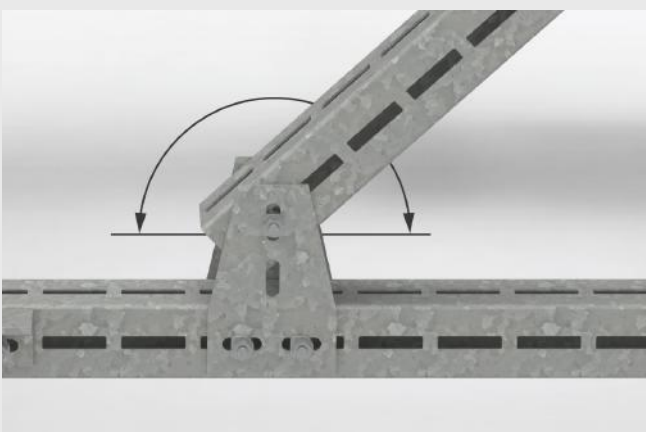
TekSpan brackets enable you to build almost any connection or support that you're ever likely to require in M&E / HVAC projects. Where other systems require separate brackets for each joint, TekSpan brackets can often be used for multiple joint types, meaning less components to order.

Example

Use the T-Plate bracket for a 90° joint...



...or as a variable angle joint.





TekSpAn[®]

Datasheets

TekSpan® 80x80mm Profile 6 Metre

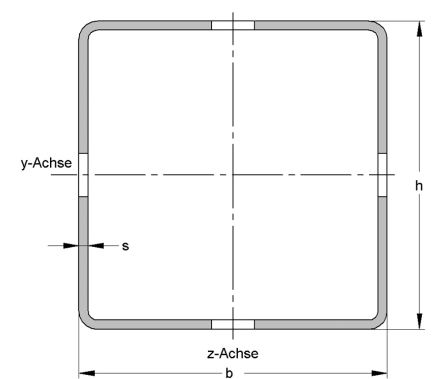
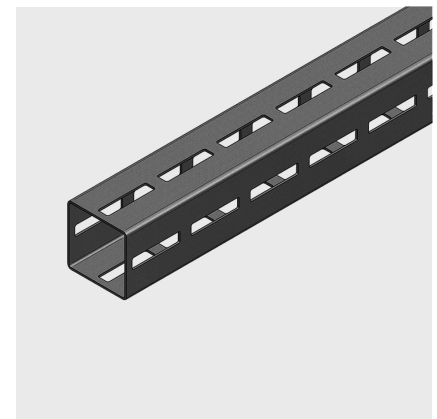
Product Code: R950-806

Description

TekSpan® 80mm x 80mm x 6m profile.

Technical Details

Pack Qty	1
Weight	5.51kg/m
Material	Steel S275
Finish	HDG
Width	80mm
Height	80mm
Thickness	2.5mm
Length	6m
Slot size	14x65mm
Area (least cross section of profile rail)	6.19cm ²
Axial angular impulse I _y	64.51cm ⁴
Axial angular impulse I _z	64.51cm ⁴
Grid dimension	80mm
Centroid distance e _o	4cm
Centroid distance e _u	4cm
Centroid distance e _z	4cm
Elastic limit	275N/mm ²
Radius of inertia I _y	3.23cm
Radius of inertia I _z	3.23cm
Section modulus W _y	16.13cm ³
Section modulus W _z	16.13cm ³



TekSpan® 100x100mm Profile 6 Metre

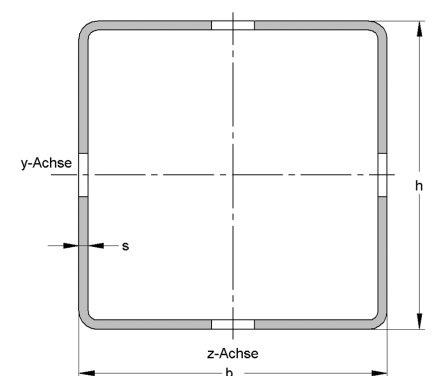
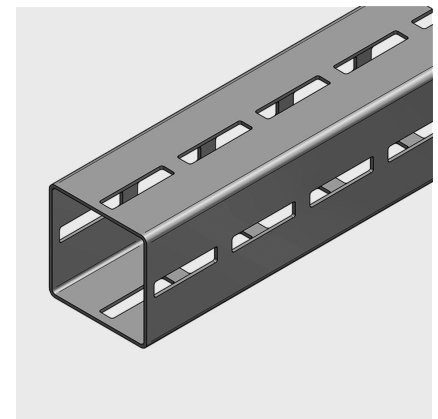
Product Code: R950-807

Description

TekSpan® 100mm x 100mm x 6m profile.

Technical Details

Pack Qty	1
Weight	8.46kg/m
Material	Steel S275
Finish	HDG
Width	100mm
Height	100mm
Thickness	3mm
Length	6m
Slot size	14x65mm
Area (least cross section of profile rail)	9.73cm ²
Axial angular impulse I _y	157.14cm ⁴
Axial angular impulse I _z	157.14cm ⁴
Grid dimension	80mm
Centroid distance e _o	4cm
Centroid distance e _u	4cm
Centroid distance e _z	4cm
Elastic limit	275N/mm ²
Radius of inertia I _y	4.02cm
Radius of inertia I _z	4.02cm
Section modulus W _y	31.43cm ³
Section modulus W _z	31.43cm ³



TekSpan® T-Lock Bolt

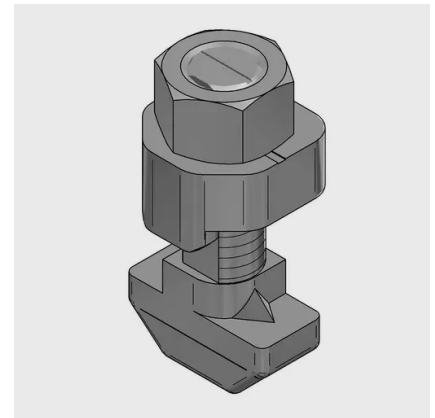
Product Code: R951-510

Description

10.9g T-Bolt with locking washer - locks securely through profile slots with locating collar and "bites" into bracket fixture, providing exceptional joint strength.

Technical Details

Pack Qty	50
Weight	0.120kg/st
Material	Steel
Finish	Zinc-Nickel
Strength Class	10.9
Max load Fx - 100mm Profile	10kN
Max load Fy - 100mm Profile	10kN
Max load Fz - 100mm Profile	3kN
Max load Fx - 80mm Profile	8kN
Max load Fy - 80mm Profile	8kN
Max load Fz - 80mm Profile	3kN
Thread	M12
Length thread	40mm
Tightening torque - 100mm Profile	120Nm
Tightening torque - 80mm Profile	90Nm
Overall length	34mm
Width hammer head	12.5mm
Diameter washer	23.5mm
Length hammer head	28mm
Thickness hammer head	12mm
Thickness washer	10mm
Profile types	80mm / 100mm



Data Centre Compatibility

No whisker formation occurs with the zinc-nickel bolt. In contrast to pure zinc coatings, there is no whisker formation when zinc-nickel is deposited as an alloy and intermetallic phase.

This has been tested using parts with the acidic zinc-nickel electrolyte used. The zinc-nickel parts were provoked with several influencing factors and no whiskers could be detected at any time.

Zinc-nickel coated parts are therefore highly suitable for use in data centres.

TekSpan® End Caps

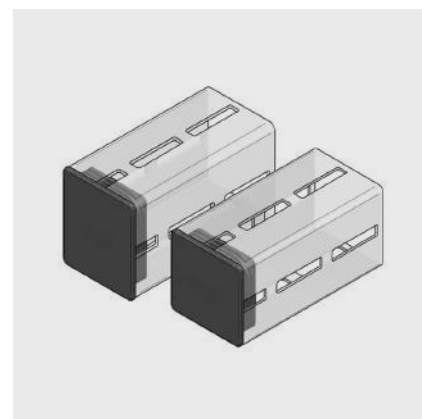
Product Code: R952-040 / R952-050

Description

Plastic end caps for finishing/capping for 80mm and 100 frame terminations.

Technical Details

Product Code	R952-040	R952-050
Pack Qty	20	20
Weight	0.0590kg/pc	0.0790kg/pc
Material	Plastic PE	Plastic PE
Colour	Orange	Orange
Profile type	80mm	100mm



TekSpan® Connector Set

Product Code: R954-150

Description

TekSpan® Connector Set

Two piece in-line jointing set for all TekSpan® frame profile sizes.

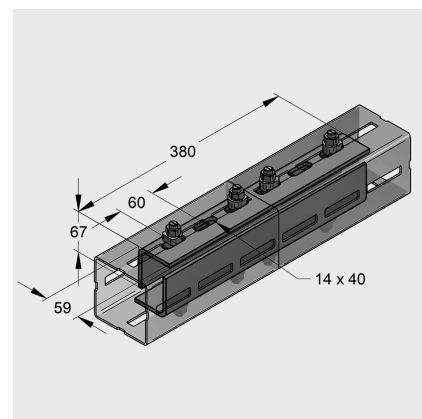
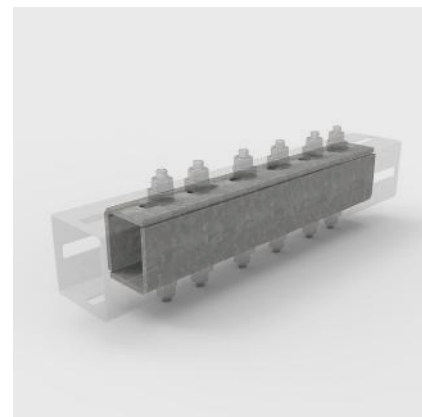
Pack Contains

2x Steel Profile Connectors

8x T-Lock Bolts

Technical Details

Pack Qty	1
Weight	5.28kg/pc
Material	Steel S235
Finish Steel Profiles	HDG
Finish Bolts	Zinc-Nickel
Profile type	80mm / 100mm
Width	67mm
Height	59mm
Length	380mm
Tightening torque	120Nm
Slot size	14x40mm
Limited torque 80mm profile at screw position top/bottom	1.25kNm
Limited torque 80mm profile at screw position left/right	0.85kNm
Limited torque 100mm profile at screw position top/bottom	2.50kNm
Limited torque 100mm profile at screw position left/right	1.35kNm



TekSpan® 2-Hole Angle Bracket

Product Code: R954-112

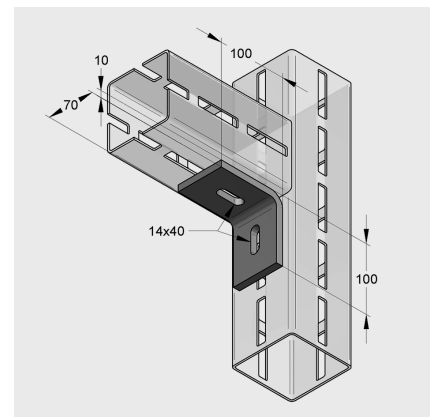
Description

TekSpan® 90° 2 Hole Angle Bracket

Two hole 90° angle bracket, for mounting 80mm profiles at right angles.

Technical Details

Pack Qty	1
Weight	1.02kg/pc
Material	Steel S235
Finish	HDG
Profile type	80mm
Length wing 1	100mm
Length wing 2	100mm
Width	70mm
Material thickness	8mm
Slot size	14x40mm
Load Fx	5.2kN
Load Fz	8.0kN
Limited torque	0.4kNm
Angle	90°



TekSpan® 3-Hole Angle Bracket

Product Code: R954-114 / R954-115

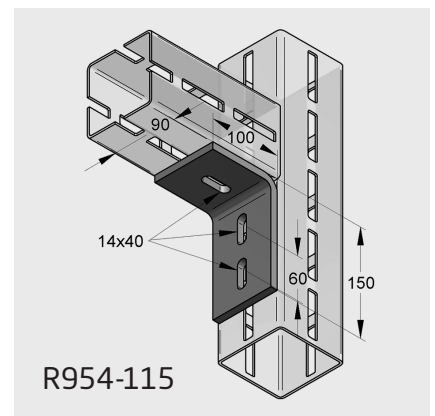
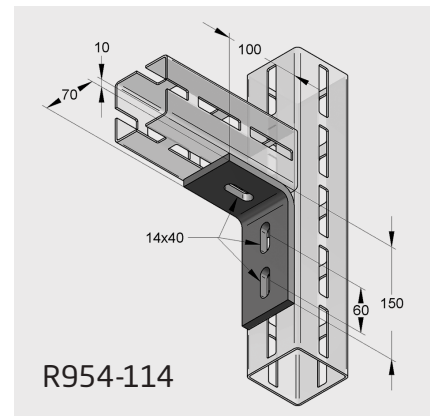
Description

TekSpan® 90° 3 Hole Angle Bracket for 80mm and 100mm profiles.

Angle bracket for mounting profiles at right angles with extra load bearing.

Technical Details

Product Code	R954-114	R954-115
Pack Qty	1	1
Weight	1.28kg/pc	1.68kg/pc
Material	Steel S235	Steel S235
Finish	HDG	HDG
Profile type	80mm	100mm
Length wing 1	150mm	150mm
Length wing 2	100mm	100mm
Width	70mm	90mm
Material thickness	10mm	10mm
Slot size	14x40mm	14x40mm
Load Fx	5.2kN	6.0kN
Load Fz	16.0kN	20.0kN
Limited torque	0.4kNm	0.5kNm
Angle	90°	90°



TekSpan® 3-Hole Angle Bracket Cross Mount

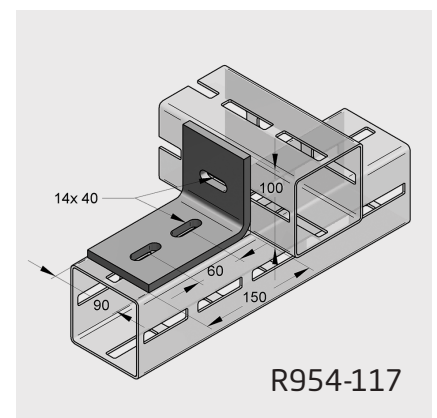
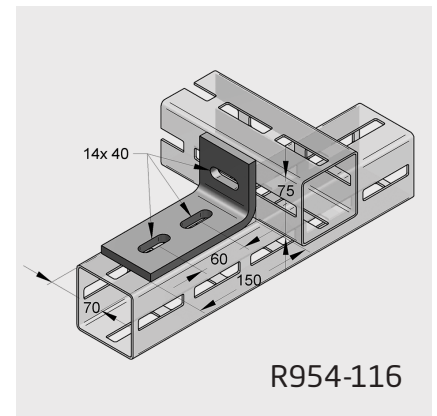
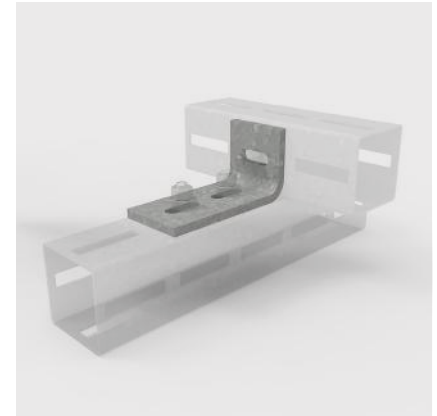
Product Code: R954-116 / R954-117

Description

TekSpan® 90° 3 Hole Angle Cross-Bracket for 80mm and 100mm profiles.
Cross-mount bracket, allowing for longitudinal adjustment when installing.

Technical Details

Product Code	R954-116	R954-117
Pack Qty	1	1
Weight	1.13kg/pc	1.68kg/pc
Material	Steel S235	Steel S235
Finish	HDG	HDG
Profile type	80mm	100mm
Length wing 1	150mm	150mm
Length wing 2	75mm	100mm
Width	70mm	90mm
Material thickness	9mm	10mm
Slot size	14x40mm	14x40mm
Load Fx	5.2kN	6.0kN
Load Fz	16.0kN	20.0kN
Limited torque	0.4kNm	0.5kNm
Angle	90°	90°



TekSpan® Corner Plates

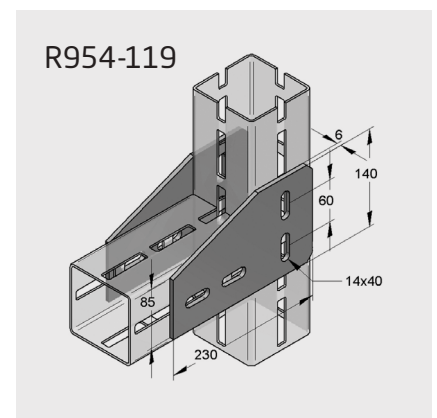
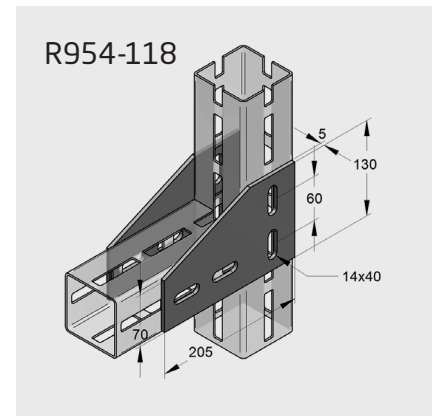
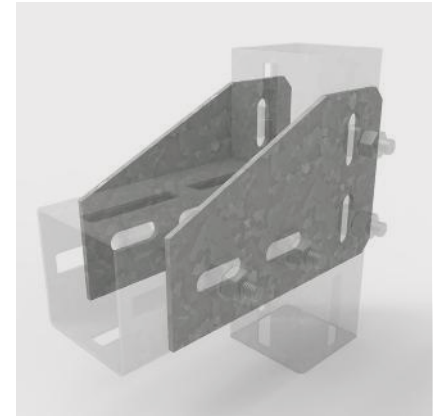
Product Code: R954-118 / R954-119

Description

TekSpan® Corner Plates for 80mm and 100mm profiles. Use in pairs.
 Corner plate brackets, for face-fixing of a 90° horizontal joint.

Technical Details

Product Code	R954-118	R954-119
Pack Qty	1 Pair	1 Pair
Weight	1.84kg/pr	2.76kg/pr
Material	Steel S235	Steel S235
Finish	HDG	HDG
Profile type	80mm	100mm
Width	130mm	140mm
Length	205mm	230mm
Thickness	5mm	6mm
Slot size	14x40mm	14x40mm
Load Fx	32kN	40kN
Load Fz	32kN	40kN
Limited torque	0.95kNm	1.2kNm



TekSpan® Saddle Bracket

Product Code: R954-110

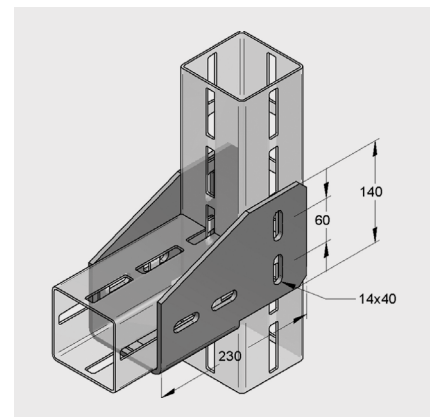
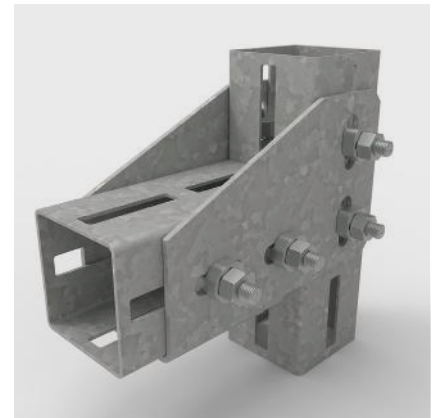
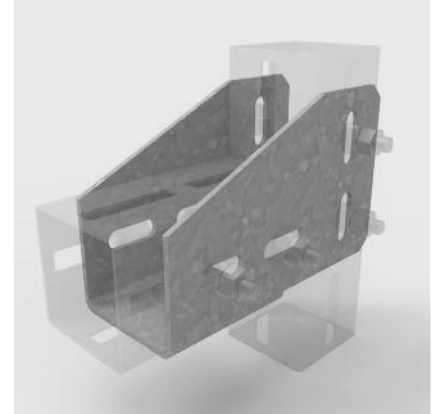
Description

TekSpan® Saddle Bracket for 100mm profiles.

Bracket for extra strength in supporting weight-loaded cross member beams.

Technical Details

Pack Qty	1
Weight	3.57kg/pc
Material	Steel S235
Finish	HDG
Profile type	100mm
Length wing 1	230mm
Length wing 2	140mm
Width	112mm
Material thickness	6mm
Slot size	14x40mm
Load Fx	40kN
Load Fz	40kN
Limited torque	1.2kNm
Angle	90°



TekSpan® T-Plate Brackets

Product Code: R954-120 / R954-121

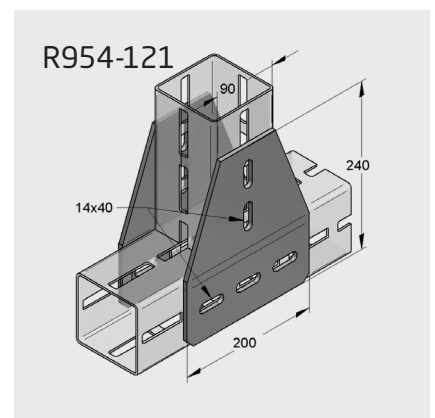
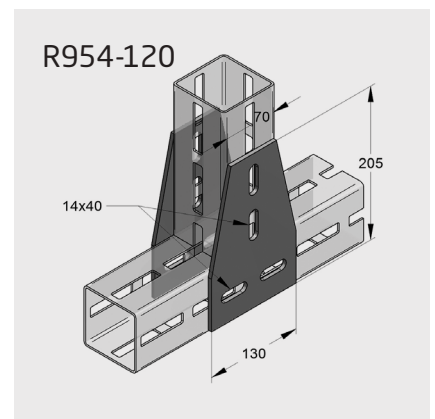
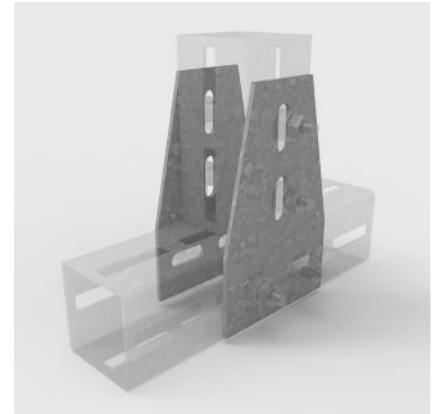
Description

TekSpan® T-Plate Brackets for 80mm and 100mm profiles. Use in pairs.

T-plate brackets, for face-fixing of a vertical joint.

Technical Details

Product Code	R954-120	R954-121
Pack Qty	1 Pair	1 Pair
Weight	1.84kg/pr	3.94kg/pr
Material	Steel S235	Steel S235
Finish	HDG	HDG
Profile type	80mm	100mm
Width	130mm	240mm
Length	205mm	200mm
Thickness	5mm	6mm
Slot size	14x40mm	14x40mm
Load Fx	32kN	40kN
Load Fz	32kN	40kN
Limited torque	0.95kNm	1.2kNm



TekSpan® Cranked T-Plate Brackets

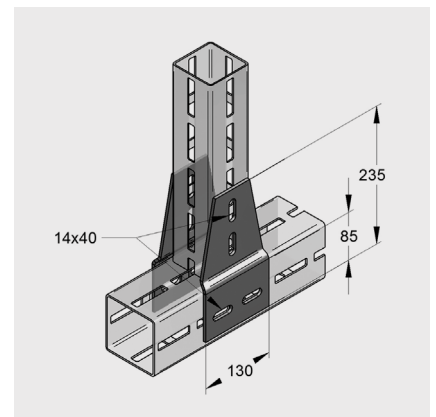
Product Code: R954-124

Description

TekSpan® Cranked T-Plates for 80mm & 100mm profiles. Use in pairs. For connecting 80mm and 100mm TekSpan frame profiles together.

Technical Details

Pack Qty	1 Pair
Weight	2.16kg/pr
Material	Steel S235
Finish	HDG
Profile type	80mm > 100mm
Width	130mm
Length	235mm
Thickness	5mm
Slot size	14x40mm
Load Fx	32kN
Load Fz	32kN
Limited torque	0.95kNm



TekSpan® Cross Plates

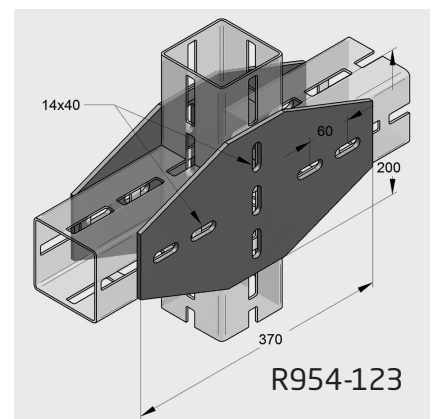
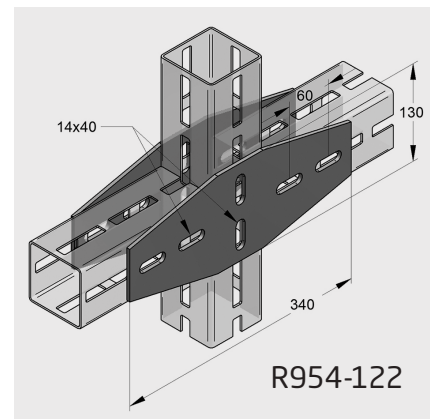
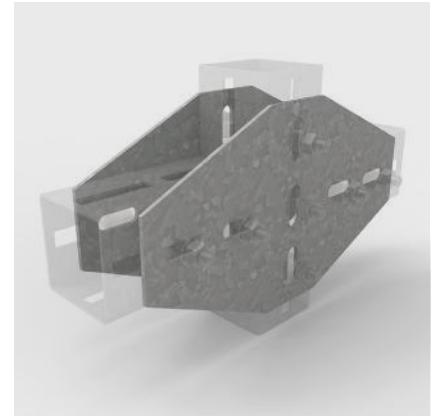
Product Code: R954-122 / R954-123

Description

TekSpan® Cross Plates for 80mm and 100mm profiles. Use in pairs.
Cross plate brackets for connecting TekSpan® frame profiles as cross-members.

Technical Details

Product Code	R954-122	R954-123
Pack Qty	1 Pair	1 Pair
Weight	2.94kg/pr	5.78kg/pr
Material	Steel S235	Steel S235
Finish	HDG	HDG
Profile type	80mm	100mm
Width	130mm	200mm
Length	340mm	370mm
Thickness	5mm	6mm
Slot size	14x40mm	14x40mm
Load Fx	32kN	40kN
Load Fz	32kN	40kN
Limited torque	0.95kNm	1.2kNm



TekSpan® Pipe Holder Set

Product Code: R954-140 / R954-145

Description

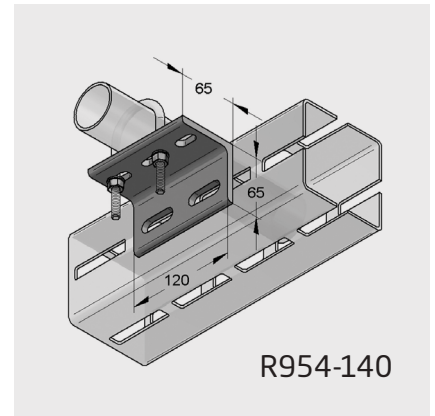
TekSpan® Pipe Holder - for 21.3-76.1mm and 88.9-219.1mm pipes.

For mounting U-bolts directly on a TekSpan® square profile.

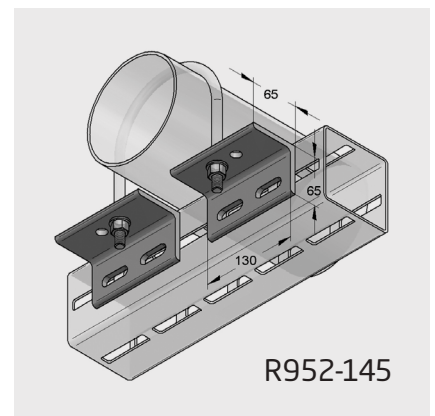
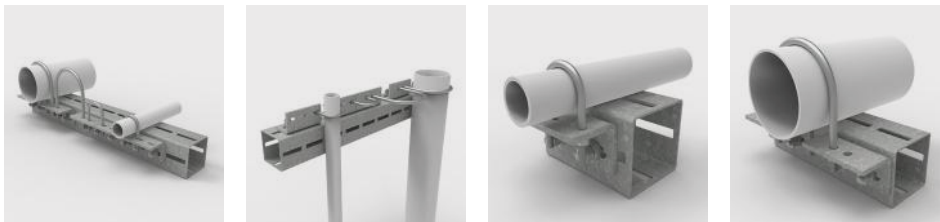
Supplied in a set of 2 angle plates.

Technical Details

Product Code	R954-140	R954-145
Pack Qty	1 Set	1 Set
Weight	0.81kg/set	1.80kg/set
Material	Steel S235	Steel S235
Finish	HDG	HDG
Profile type	100mm	100mm
Length wing 1	65mm	65mm
Length wing 2	65mm	65mm
Width	120mm	130mm
Material thickness	7mm	7mm
Slot size	14x40mm	14x40mm
Angle	90°	90°



Configurations



TekSpan® Roller Bearing Axial Pipe Slide

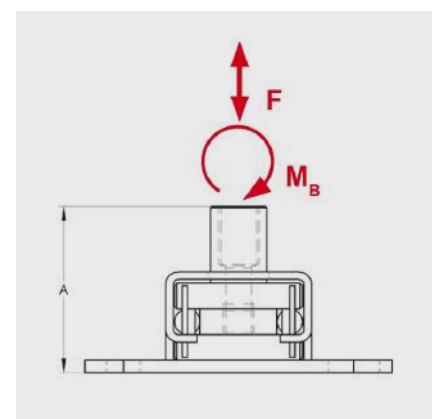
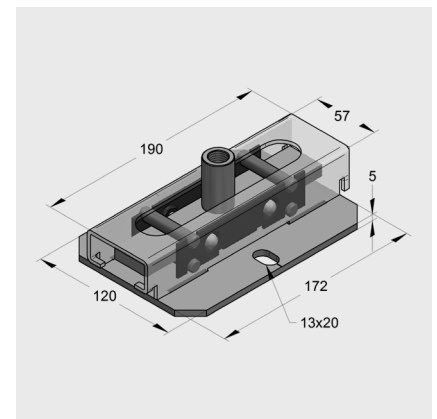
Product Code: R954-156 / R954-157

Description

TekSpan® Beam Roller Bearing Axial Pipe Slide - M12 and M16. Absorption of axial length expansion for standing, hanging, horizontal or vertical pipes.

Technical Details

Product Code	R954-156	R954-157
Pack Qty	1	1
Weight	1.91kg/pc	1.97kg/pc
Material	Steel S235	Steel S235
Finish	Galvanised	Galvanised
Profile type	80mm / 100mm	80mm / 100mm
Connection type	M12	M16
Width	120mm	120mm
Length	190mm	190mm
Height	65mm	65mm
Load Fz	4kN	4kN
Hole distance	100mm	100mm
Limited torque	150Nm	150Nm
Elongated hole	13x20mm	13x20mm
Max temperature resistance	300°C	300°C
Max sliding distance axial	120mm	120mm
Rolling resistance	0.004-0.02	0.004-0.02



TekSpan® Roller Bearing Duo Axial Pipe Slide

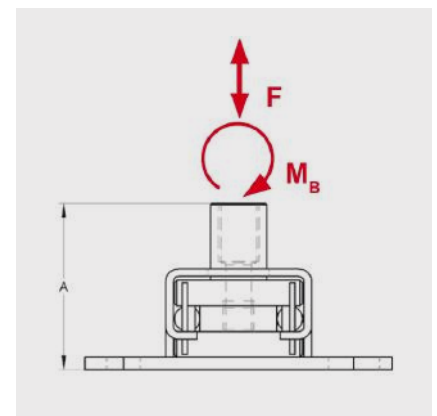
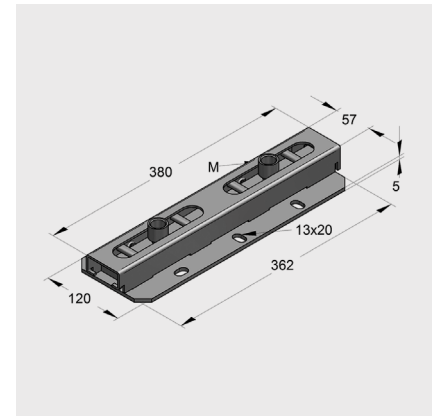
Product Code: R954-158 / R954-159

Description

TekSpan® Beam Roller Bearing Duo Axial Pipe Slide - M12 and M16. Absorption of axial length expansion for standing, hanging, horizontal or vertical pipes.

Technical Details

Product Code	R954-158	R954-159
Pack Qty	1	1
Weight	4.02kg/pc	4.13kg/pc
Material	Steel S235	Steel S235
Finish	Galvanised	Galvanised
Profile type	80mm / 100mm	80mm / 100mm
Connection type	2x M12	2x M16
Width	120mm	120mm
Length	380mm	380mm
Height	65mm	65mm
Load Fz	8kN	8kN
Hole distance	100mm	100mm
Limited torque	300Nm	300Nm
Max temperature resistance	300°C	300°C
Max sliding distance axial	120mm	120mm
Rolling resistance	0.004-0.02	0.004-0.02



TekSpan® Fixpoint Bracket

Product Code: R954-175

Description

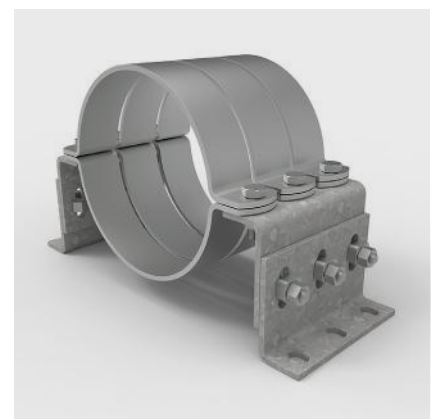
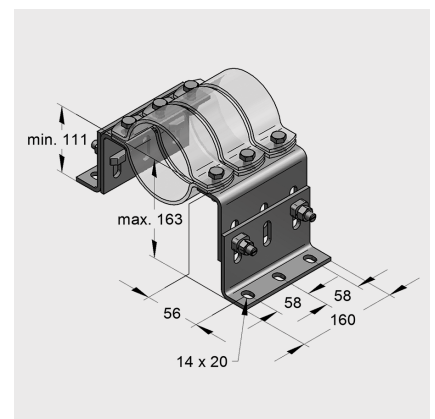
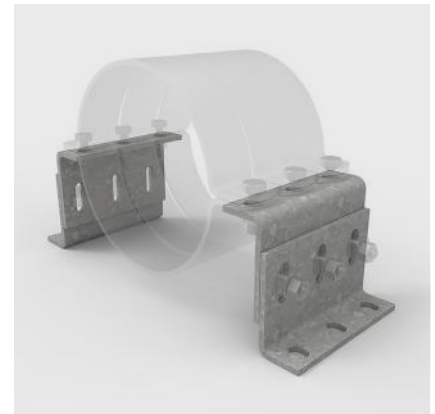
Height-adjustable bracket for fixing pipes without insulation.
To be used as a fixed point in conjunction with pipe clamp (not included).

Pack Contains

- 2x Angle (foot)
- 2x Angle (side)
- 4x T-Lock Bolts
- 6x Hex bolts and nuts

Technical Details

Pack Qty	1
Weight	4.74kg/pc
Material	Steel S235
Finish	HDG
Tightening torque T-Lock head	120Nm
Tightening torque pipe clamp	60Nm
Min outside pipe diameter	64mm
Max outside pipe diameter	273mm
Length	160mm
Load Fy	30kN
Load Fx	18kN
Number of pipe clamps	3
Min axis height	111mm
Max axis height	163mm
Dimension angle stilt	160x100x6mm
Dimension side part	160x100x6mm



TekSpan® Beam Connector Clamp

Product Code: R952-070 / R952-075

Description

TekSpan® Beam Connector Clamp for 80mm & 100mm Profile.

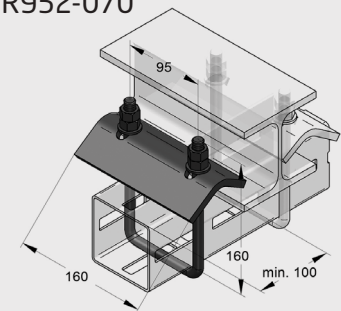
Beam connector clamp, for securing TekSpan® profiles to I-beams and girders.

Technical Details

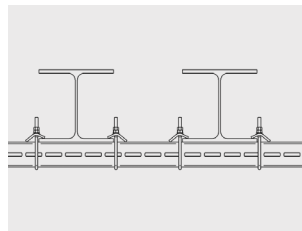
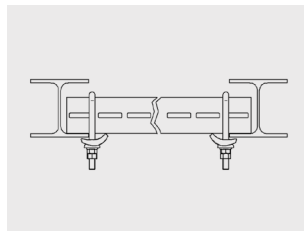
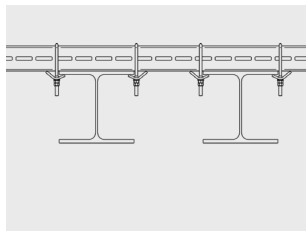
Product Code	R952-070	R952-075
Pack Qty	1	1
Weight	1.30kg/pc	1.49kg/pc
Material	Steel S235	Steel S235
Profile type	80mm	100mm
Load Fx	3kN	3kN
Load Fy	3kN	3kN
Load Fz	10kN	10kN
Thread	M12	M12
Max clamping thickness	25mm	25mm
Tightening torque	25Nm	25Nm



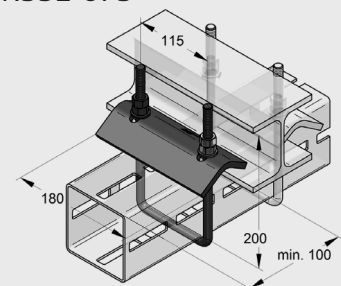
R952-070



Configurations



R952-075



TekSpan® Thread Connector

Product Code: R952-060 / R952-065

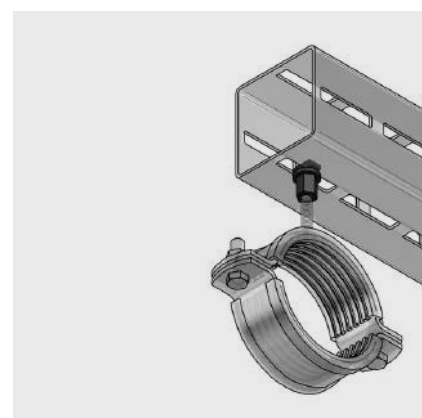
Description

Frame to threaded rod connector with female thread socket.

For direct fixing of M10 and M12 rods and suspension of threaded fasteners.

Technical Details

Product Code	R952-060	R952-065
Pack Qty	50	50
Weight	0.0714kg/pc	0.0694kg/pc
Material	Steel	Steel
Finish	Zinc-Nickel	Zinc-Nickel
Profile types	80mm / 100mm	80mm / 100mm
Thread	M10	M12
Wrench size	17	17
Height collar nut	25mm	25mm
Tightening torque	25Nm	25Nm
Load Fz	3kN	3kN



TekSpan® Heavy Duty Thread Connector

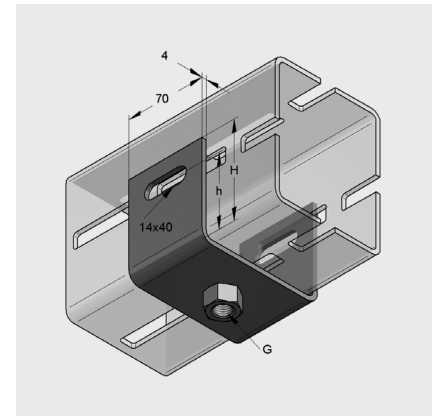
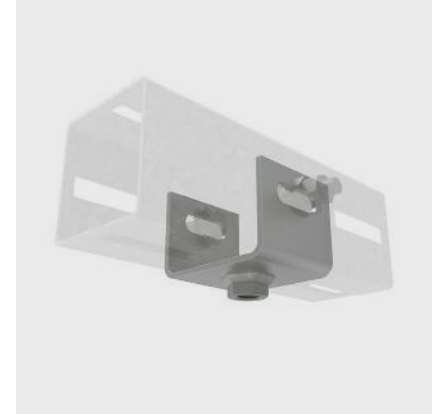
Product Code: R952-066 / R952-067

Description

TekSpan® Heavy Duty Thread Connector M16 for 80mm and 100mm profiles.
For mounting on TekSpan profile to make threaded connections.

Technical Details

Product Code	R952-066	R952-067
Pack Qty	1	1
Weight	0.48kg/pc	0.557kg/pc
Material	Steel S235	Steel S235
Finish	Zinc-Nickel	Zinc-Nickel
Profile type	80mm	100mm
Connection	M16	M16
Width	90mm	110mm
Height	64mm	74mm
Length	70mm	70mm
Slot size	14x40mm	14x40mm
Load Fz	5kN	5kN
Thickness	4mm	4mm



TekSpan® HDPE Square Foot

Product Code: R605-387

Description

400mm square foot for TekSpan 80mm profiles, for use in supporting frames on rooftop membranes and other sensitive surfaces. Wide loadbearing area reduces risk of point load penetration to roof membrane.

Material

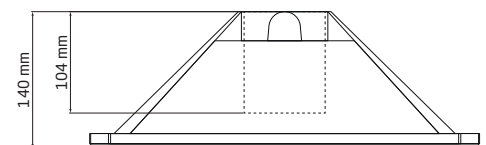
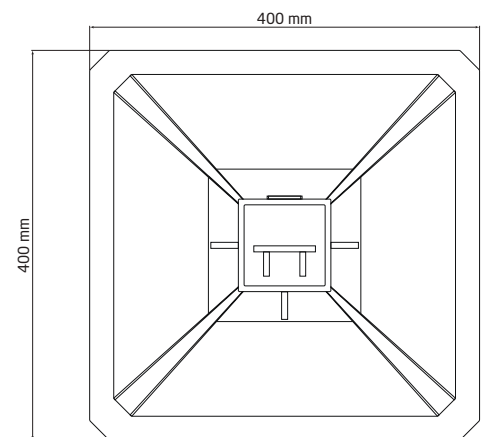
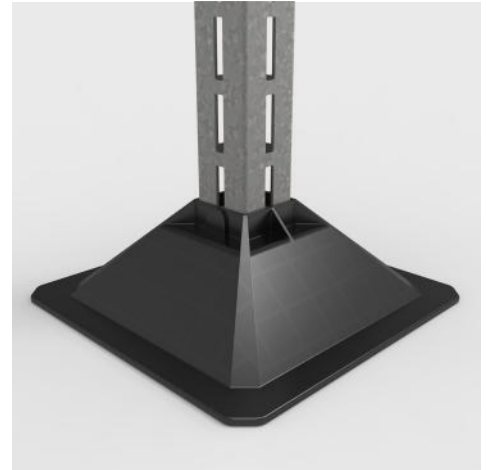
High Impact HDPE (High-Density Polyethylene)
100% Recycled material.

Anti-vibration

Foam pad on the underside of the foot reduces noise transmission and risk of slippage between the roof membrane and foot.

Specification

Length	400mm
Width	400mm
Height	140mm
Profile Slot Depth	104mm
Weight	3.97kg
Safe Working Load	1000kg
Pack Qty	1



TekSpan® Integral Baseplate Foot and Profile

Product Code: R954-105 / R954-106 / R954-107

Description

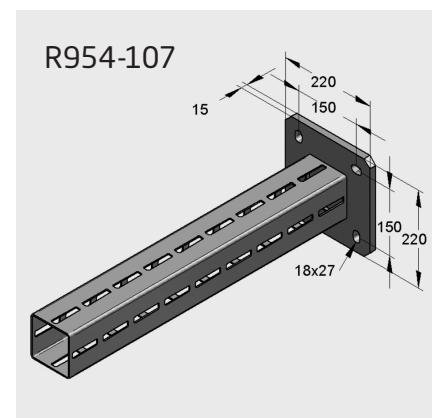
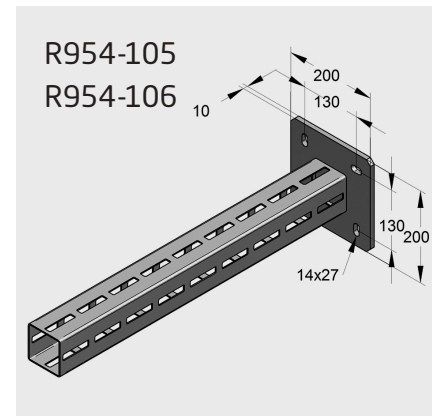
TekSpan® Integral Baseplate and Profile.

For lower height installs and wall-mounting - 80mm and 100mm profiles.

Baseplate pre-welded to profile.

Technical Details

Product Code	R954-105	R954-106	R954-107
Pack Qty	1	1	1
Weight	7.26kg/pc	11.23kg/pc	11.92kg/pc
Material	Steel	Steel	Steel
Finish	HDG	HDG	HDG
Profile type	80mm	80mm	100mm
Width plate	200mm	200mm	220mm
Length plate	200mm	200mm	220mm
Hole distance	130mm	130mm	150mm
Plate thickness	10mm	10mm	15mm
Profile width	80mm	80mm <td 100mm	
Profile height	80mm	80mm	100mm
Length console	720mm	1440mm	720mm
Plate slot size	27x14mm	27x14mm	27x18mm
Load F1	8.38kN	4.19kN	16.17kN
Load F2	4.19kN	1.31kN	8.08kN
Load q0	11.64kN/m	2.42kN/m	22.45kN/m
Profile thickness	2.5mm	2.5mm	3.0mm



TekSpan® Baseplate

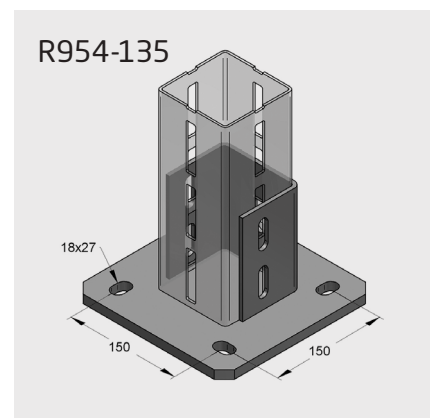
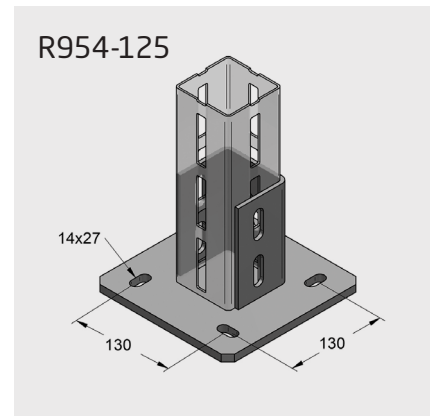
Product Code: R954-125 / R954-135

Description

TekSpan® Baseplate for 80mm and 100mm profiles.
Bolt-down baseplate foot, for floor or wall mounting.

Technical Details

Product Code	R954-125	R954-135
Pack Qty	1	1
Weight	4.48kg/pc	6.15kg/pc
Material	Steel S235	Steel S235
Finish	HDG	HDG
Profile type	80mm	100mm
Plate length	200mm	220mm
Plate width	200mm	220mm
Plate thickness	10mm	12mm
Slot size	14x27mm	18x27mm
Load Fx	24kN	30kN
Hole distance	130mm	150mm
Alignment of plate	Square	Square



TekSpan® Holder Plate

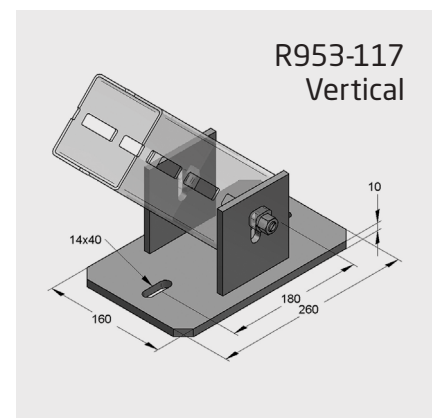
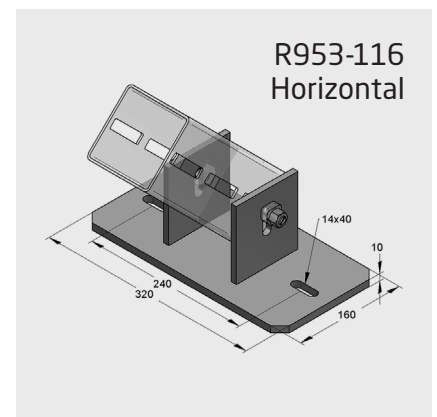
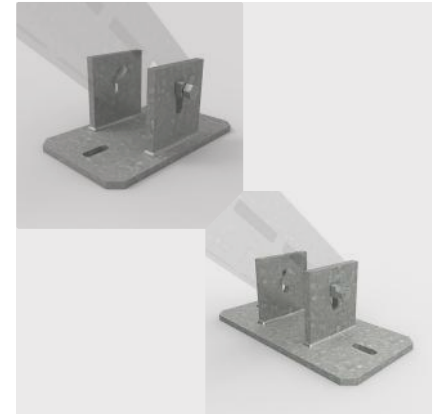
Product Code: R953-115 / R953-116 / R953-117

Description

TekSpan® Horizontal and Vertical Holder Plates - for 80mm and 100mm profiles.
Holder plate for mounting frames, with the facility to support angled connections.

Technical Details

Product Code	R953-115	R953-116	R953-117
Orientation	Vertical	Horizontal	Vertical
Pack Qty	1	1	1
Weight	4.20kg/pc	5.72kg/pc	4.89kg/pc
Material	Steel S235	Steel S235	Steel S235
Finish	HDG	HDG	HDG
Profile type	80mm	100mm	100mm
Width plate	140mm	320mm	160mm
Length plate	260mm	160mm	260mm
Overall height	120mm	120mm	120mm
Thickness	10mm	10mm	10mm
Slot size	14x40mm	14x40mm	14x40mm
Load Fx	11kN	11kN	11kN
Load Fy	11kN	11kN	11kN
Load Fz	20kN	20kN	20kN
Tightening torque	60Nm	60Nm	60Nm
Angle	90°	90°	90°



TekSpan® Clevis Yoke

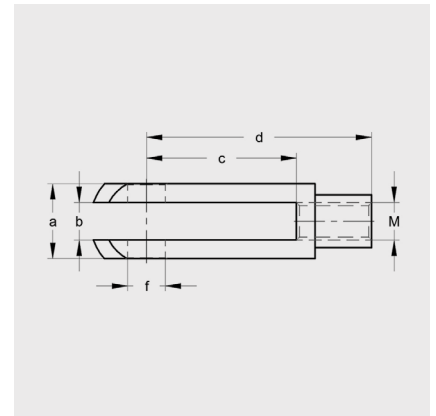
Product Code: R954-162 / R954-172

Description

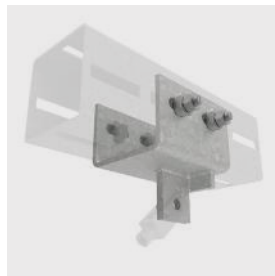
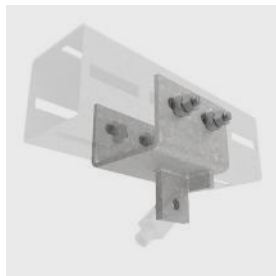
Use with TekSpan clevis yoke connector to provide tension with M12/M16 threaded rod.

Technical Details

Product Code	R954-162	R954-172
Pack Qty	1	1
Weight	0.175kg/pc	0.414kg/pc
Material	Steel	Steel
Finish	Galvanised	Galvanised
Profile type	100mm	100mm
Height	24mm	32mm
Load Fz	20kN	20kN
Thread	M12	M16
Hole Ø	12mm	16mm
Edge distance hole c	48mm	64mm
Edge distance hole d	72mm	96mm
Rail slot height	12mm	16mm



Related Products



R954-160
Clevis Connector M12

R954-170
Clevis Connector M16

TekSpan® Clevis Yoke Connector

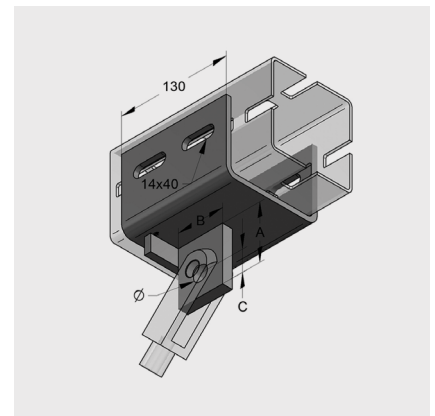
Product Code: R954-160 / R954-170

Description

Connect to 100mm TekSpan profile to use as a lifting point, or with the optional clevis yoke to provide tension using M12/M16 threaded rod.

Technical Details

Product Code	R954-160	R954-170
Pack Qty	1	1
Weight	2.07kg/pc	2.17kg/pc
Material	Steel S235	Steel S235
Finish	HDG	HDG
Profile type	100mm	100mm
Connection	M12	M16
Width	113mm	113mm
Height	86mm	96mm
Length	130mm	130mm
Slot size	14x40mm	14x40mm
Hole Ø	14mm	18mm
Load Fz	20kN	20kN
Thickness	6mm	6mm



Related Products



R954-162
Clevis M12



R954-172
Clevis M16

TekSpan® T-Lock Bolt with Steel Disc

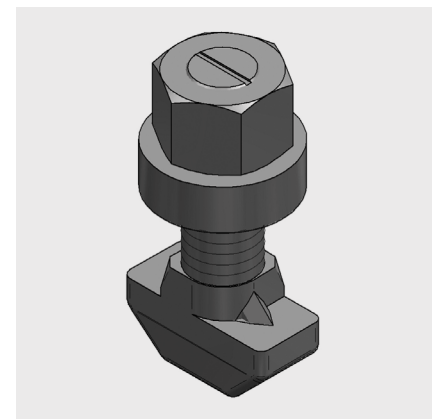
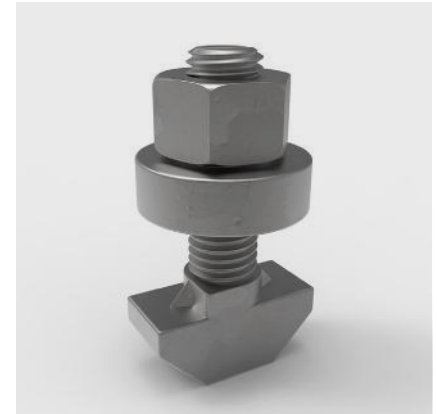
Product Code: R951-520

Description

For applications such as connecting standard Unistrut channel to TekSpan, the T-Lock bolt with steel disc washer is recommended. This uses the same T-Lock bolt but with a heavy-duty steel washer to avoid impacting lighter-weight components that are being connected.

Technical Details

Pack Qty	50
Weight	0.10kg/st
Material	Steel
Finish	Zinc-Nickel
Strength Class	10.9
Max load Fx - 100mm Profile	3kN
Max load Fy - 100mm Profile	10kN
Max load Fz - 100mm Profile	3kN
Max load Fx - 80mm Profile	3kN
Max load Fy - 80mm Profile	8kN
Max load Fz - 80mm Profile	3kN
Thread	M12
Length thread	40mm
Tightening torque - 100mm Profile	120Nm
Tightening torque - 80mm Profile	90Nm
Overall length	34mm
Width hammer head	12.5mm
Diameter washer	24mm
Length hammer head	28mm
Thickness hammer head	12mm
Thickness washer	8mm
Profile types	80mm / 100mm



Data Centre Compatibility

No whisker formation occurs with the zinc-nickel bolt. In contrast to pure zinc coatings, there is no whisker formation when zinc-nickel is deposited as an alloy and intermetallic phase.

This has been tested using parts with the acidic zinc-nickel electrolyte used. The zinc-nickel parts were provoked with several influencing factors and no whiskers could be detected at any time.

Zinc-nickel coated parts are therefore highly suitable for use in data centres.

TekSpan® Anchor Adapter Ring

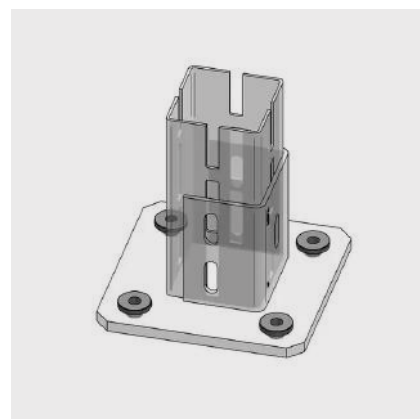
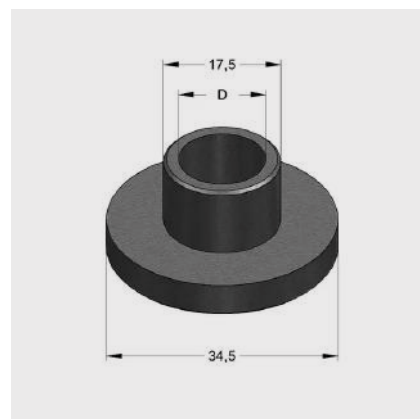
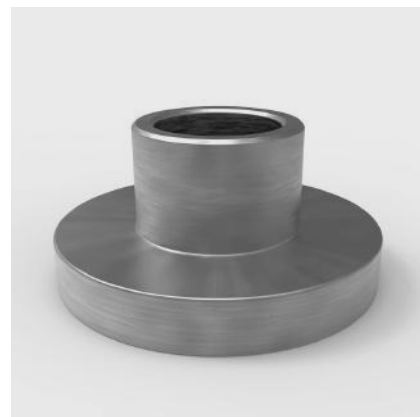
Product Code: R954-155

Description

Stepdown Anchor Adapter Ring M16-M12. Ring insert for baseplate feet, to enable M12 fixings to be used with 100mm base plate feet.

Technical Details

Pack Qty	50
Weight	0.0438kg/st
Material	Steel
Finish	Zinc-Nickel
Inner diameter	13mm
Outer diameter	17.5mm
Height	16.5mm
Width	34.5mm
Profile types	100mm



TekSpan® FixBOB M12

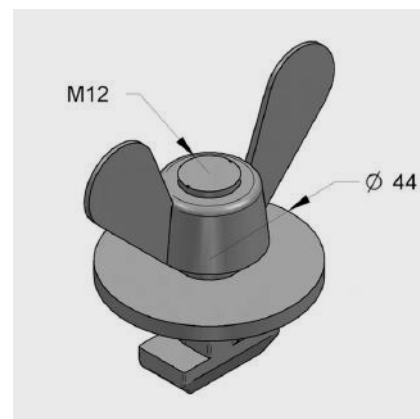
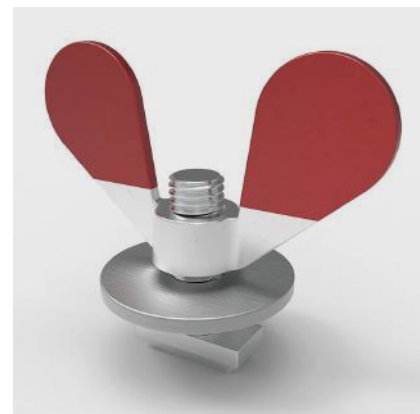
Product Code: R951-500

Description

Useful reusable tool for aiding slot alignment during installation.
Wing nut with TekSpan hammer head.

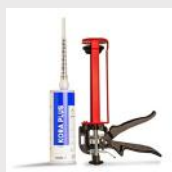
Technical Details

Pack Qty	10
Weight	0.139kg/pc
Material	Steel
Finish	Galvanised
Thread	M12
Diameter washer	44mm
Profile types	80mm / 100mm



Recommended Fixings

When bolting TekSpan frame baseplates to the ground or a wall, we recommend the following fixings. Please note that various critical factors should be considered, such as loadbearing (for wall-mounted fixings), type of substrate to be fixed to, and environmental conditions, i.e. suitability for corrosive or harsh climates. Please speak to a TekSpan expert if you need detailed advice.

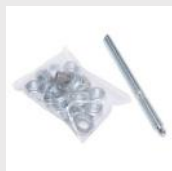


Kora Vinylester Chemical Anchor Resin

Code: B731-345

Suitable for indoor / outdoor use

✓ Concrete ✓ Asphalt ✓ Masonry (using mesh sleeve)

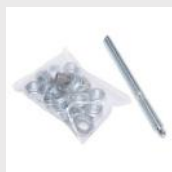


M12x160 Chemical Anchor Stud with Nut and Washer BZP

Code: B631-662

Suitable for use with R954-125 baseplate and R953-115 holder plate

✓ Concrete ✓ Asphalt ✓ Masonry (using mesh sleeve)

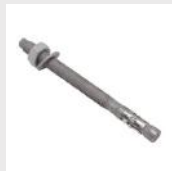


M16x190 Chemical Anchor Stud with Nut and Washer BZP

Code: B631-768

Suitable for R954-135 baseplate and R953-116/-117 holder plates

✓ Concrete ✓ Asphalt ✓ Masonry (using mesh sleeve)



M12x100 Throughbolt HDG

Code: B031-650

Suitable for R954-125 baseplate and R953-115 holder plate

✓ Concrete ✓ Asphalt (used with vinylester resin)

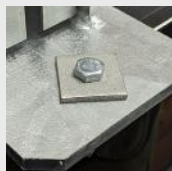


M16x220 Throughbolt HDG

Code: B031-766

Suitable for R954-135 baseplate and R953-116/-117 holder plates

✓ Concrete ✓ Asphalt (used with vinylester resin)

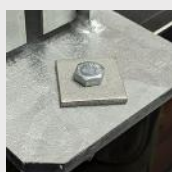


M12 Concrete Screwbolt

Code: B461-650

Can be used with Kora vinylester resin in asphalt - M12 x 100

✓ Concrete

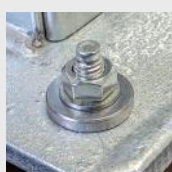


M16 Concrete Screwbolt

Code: B461-750

Can be used with Kora vinylester resin in asphalt - M16 x 100

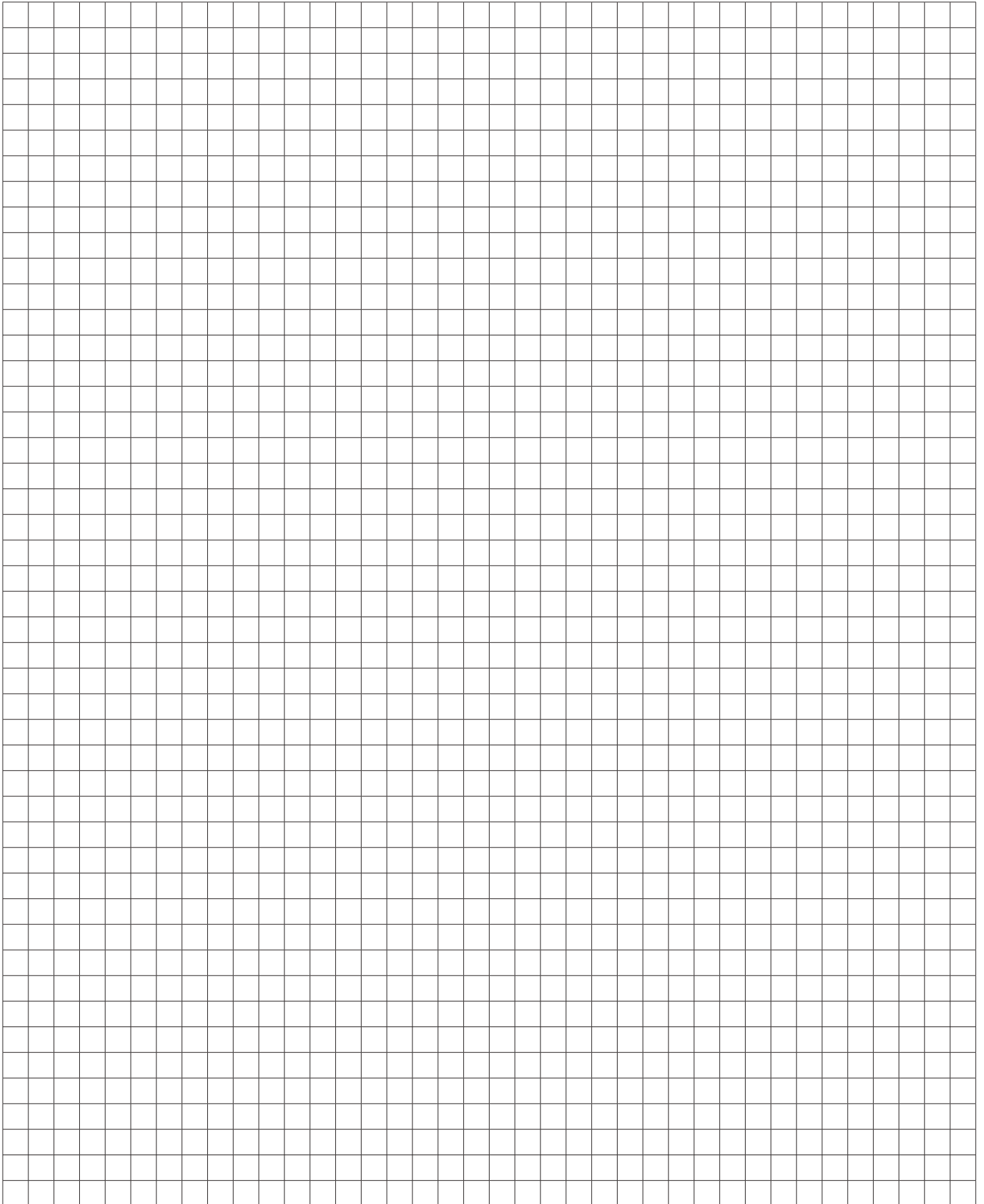
✓ Concrete

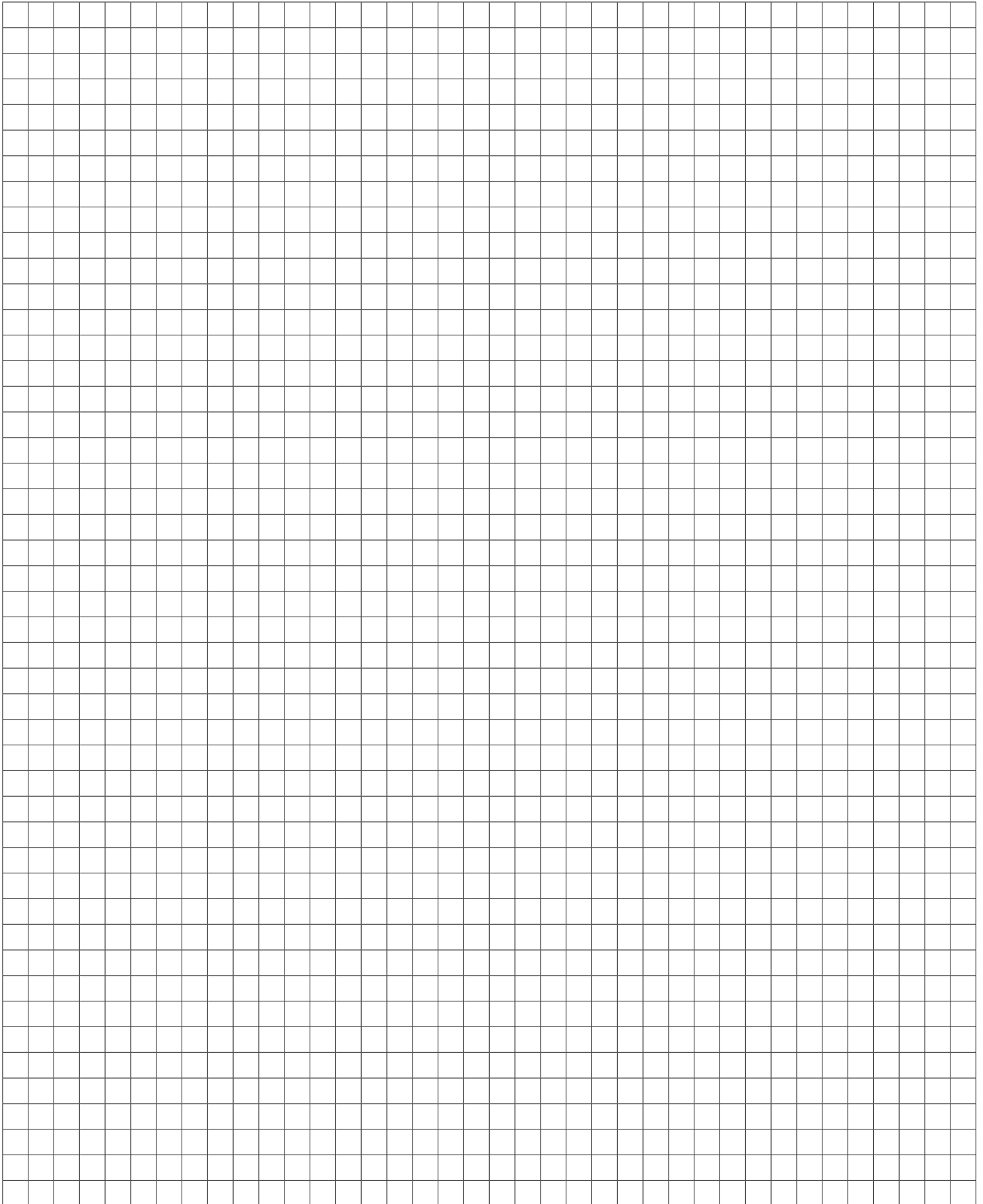


TekSpan Anchor Adaptor Ring M16-M12 Zinc-Nickel

Code: B954-155

Use with R954-135 and R953-116 / -117 holder plates, if using M12 fixings





TekSpan[®]

Industrial
Modular Steel
Frame System

01329 222345
www.tekspan.co.uk
enquiries@tekspan.co.uk

