



**perfect  
automation**

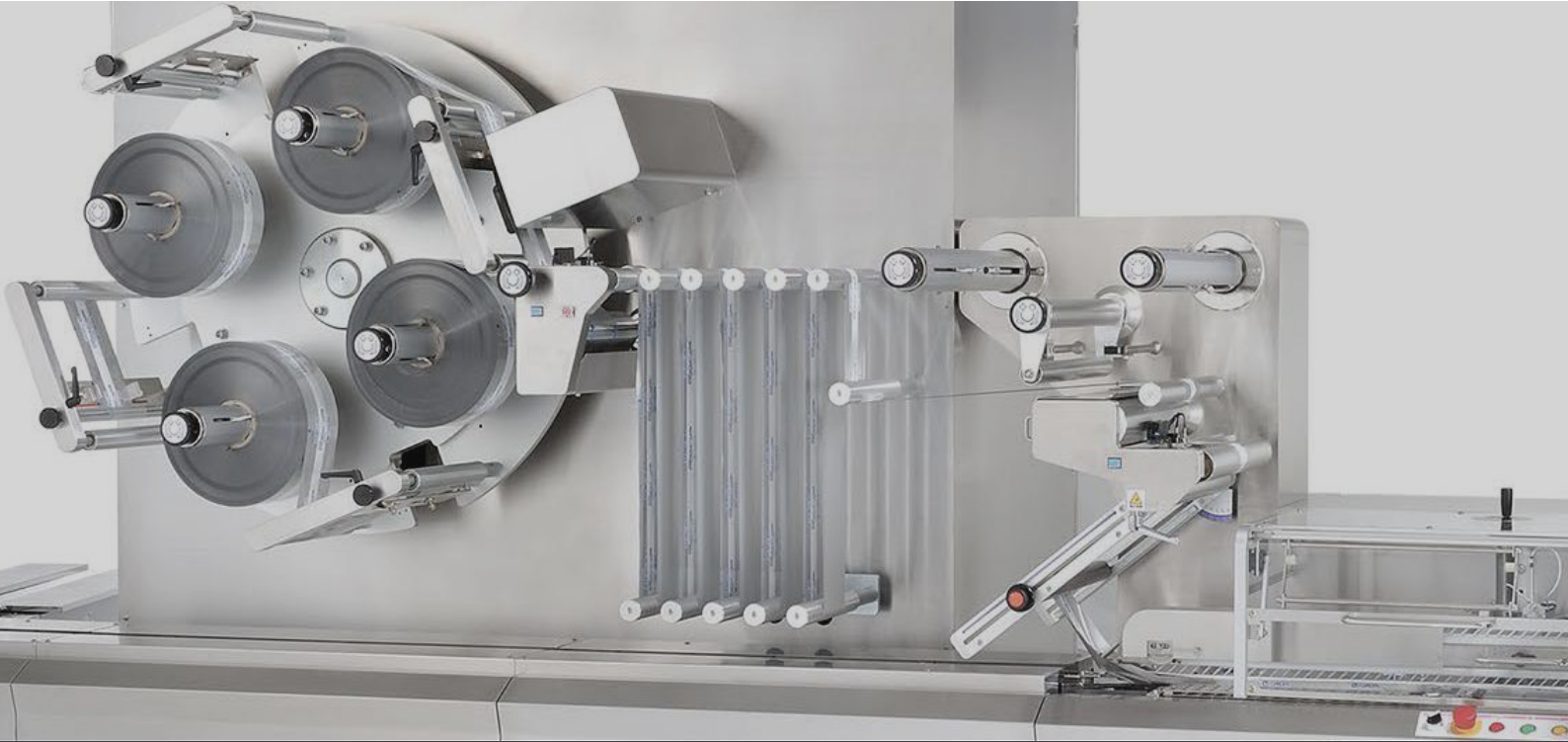
# CONTENTS

# CONTENTS

- 3. ABOUT US
- 4. OUR CUSTOMERS
- 5. ABOUT OMORI
- 6. OMROI FLOW WRAPPER RANGE
- 7. NSW SUPER WRAPPER
- 8. COMPLETE LINES
- 9. BELLPACK
- 10. MEAT FLOW PACKAGING
- 11. FILM FOR TRAY STRETCH WRAPPERS
- 12. TRAY STRETCH WRAPPER RANGE
- 13. ABOUT LEEPACK
- 14-16. LEEPACK POUCH MACHINE RANGE
- 17. MULTI-HEAD WEIGHERS
- 19. LINEAR WEIGHERS
- 20. METAL DETECTORS
- 21. X-RAY & CHECKWEIGHER SYSTEMS
- 22. COMPREHENSIVE SERVICING



# ABOUT US ABOUT US ABOUT US



Perfect Automation is the trusted distributor for exclusive packaging machinery Australia wide. With over 45 years of industry expertise, we collaborate with globally recognised leaders in packaging equipment, offering cutting-edge and superior packaging solutions.

At Perfect Automation, we understand that packaging is not just about enclosing products; it's about delivering the perfect solution tailored to your unique needs. From the initial stage of packaging development to installation and beyond, our unwavering dedication to you and your requirements sets us apart. With turnkey solutions, Perfect Automation comprehensively covers all your needs for customised solutions.

- ✓ Tailored Turnkey Solutions
- ✓ Production Optimisation
- ✓ Sustainability Initiatives
- ✓ Maintenance and Servicing

Experience innovation, reliability, and unmatched expertise – because when it comes to packaging, perfection is not just a goal; it's our commitment to you.



# OUR CUSTOMERS OUR CUSTOMERS ONB OR 2 LOWEB?



**ST. ALI**

# perfect

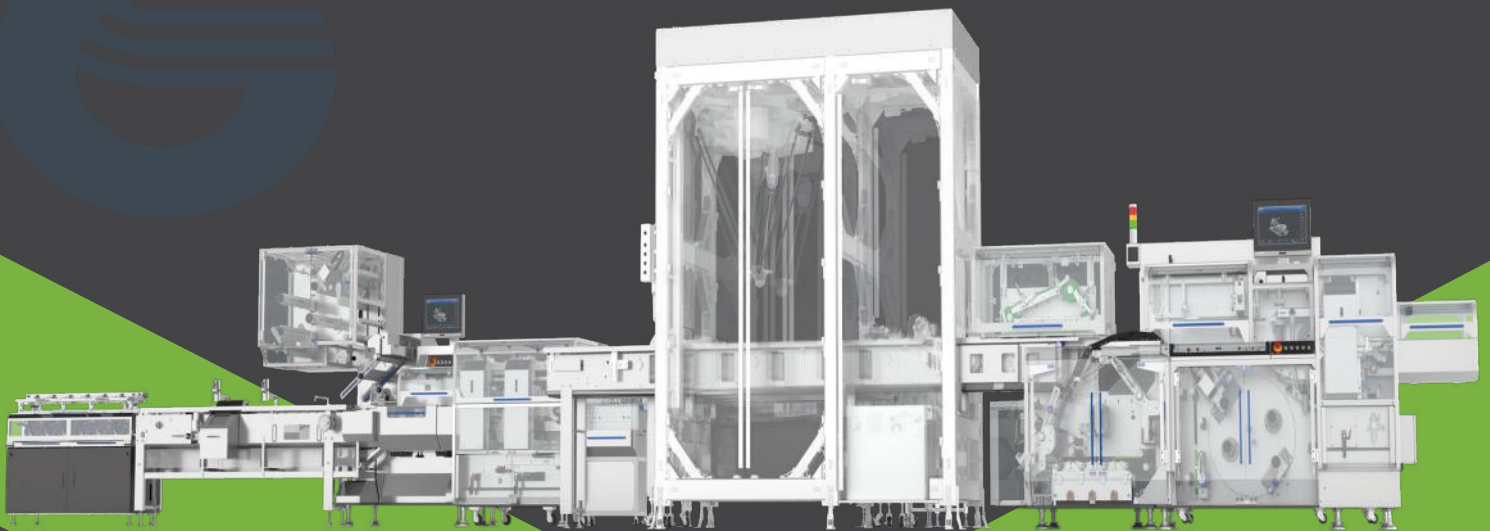


# automation

Since its establishment in 1948, Omori Japan has continuously stood at the forefront of the packaging industry, confronting challenges and demonstrating unwavering commitment to their customers. Their provision of superior and durable packaging equipment has not only solidified their position in the market but has also propelled them towards global expansion, where they have showcased extensive expertise and knowledge in the field. With a dedicated team of 634 employees, Omori has attained remarkable success, generating an impressive \$440,000,000 in sales for 2023. This notable accomplishment serves as a testament to their relentless pursuit of excellence and their ability in meeting the diverse and evolving needs of the packaging market. Omori's commitment to technological advancements is evident with manufacturing sites in Japan, Europe, America, and India.

In the last 75 years, Omori has evolved by facing challenges head-on and engineering innovative solutions, spanning not just the food industry but also the pharmaceutical and household sectors.

Perfect Automation takes pride in being the exclusive agent of Omori, maintaining a strong relationship for over 20 years. Our dedicated team continues to support Omori's achievements, with our Technical Director, Patrick Mercieca, serving as the driving force behind Omori's success in Australia.



perfect automation



# OMORI FOR SUPREME PACKAGING

## Rotary Sealing Models

Speed: Up to 1000 packs/min

Rotary Jaw Sealing employs rotating end seal jaws, enabling Flow Wrappers to achieve high speeds. These wrappers come in various configurations, including single, twin, triple, and quad jaw setups. The Rotary Jaw Flow Wrappers are available across a spectrum, ranging from entry-level hand-fed machines to comprehensive automatic lines.



## Inverted Models

Speed: Up to 200 packs/min

Inverted Flow Wrappers are specifically designed with the film fed from a reel at the bottom of the machine, eliminating the requirement for trays when packaging loose products. This design proves to be ideal for fragile, irregular, or heavy products that can be securely carried by the film during the packaging process.

## Box Motion Models

Speed: Up to 400 packs/min

Box Motion Flow Wrappers employ genuine Box Motion on the end seal jaws, allowing for extended sealing times. This increased dwell time enables them to effectively seal thicker wrapping materials, resulting in a higher quality seal for the product. These wrappers are particularly well-suited for taller and heavier items, as well as applications involving modified atmosphere packaging (MAP), as they can deliver airtight seals, ensuring the preservation and freshness of the enclosed products.

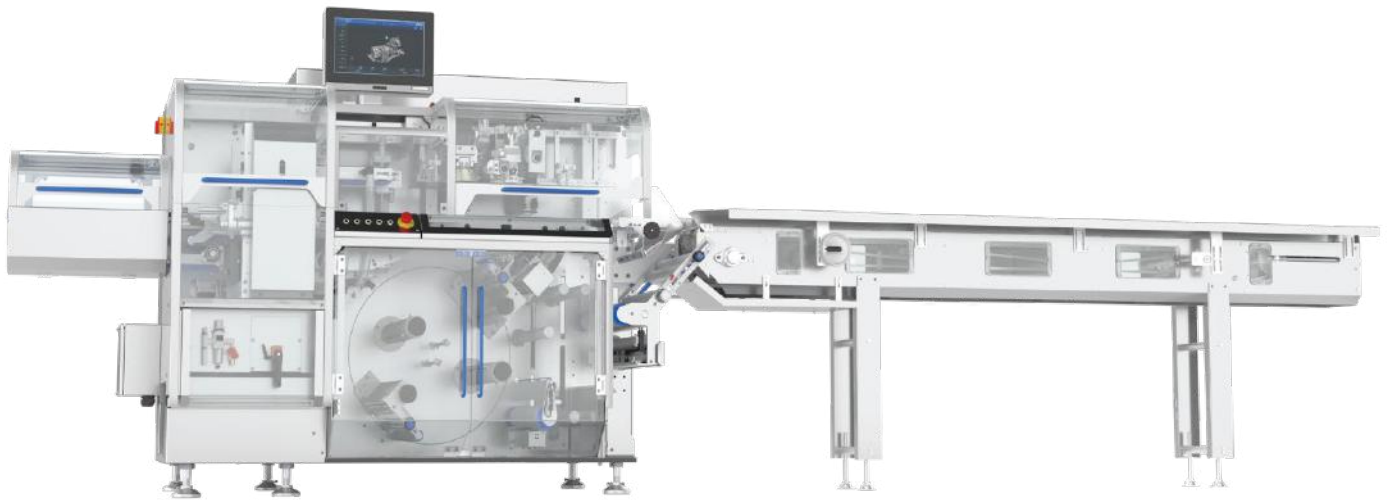


perfectautomation.com.au



# CUTTING EDGE MACHINERY

## CUTTING EDGE



Introducing the revolutionary New Super Wrapper (NSW-7000 Series), the evolutionary successor to Omori's highly acclaimed S-5000 series. This innovation, from concept to reality, prioritises user-friendly design, showcasing unit-by-unit attachability and removability for effortless replacement without requiring a complete machine shutdown. With extraordinary precision and groundbreaking technology, the NSW-7000 Series marks a new era in the packaging industry. Equipped with a revolver-type heat seal splicer, this feature optimises film joining preparations, facilitating swift and hassle-free packaging processes while entirely eliminating the necessity for double-sided tape when replacing the film. Easy to maintain and with streamlined changeover capabilities, the new series pioneers the way for now and the future, setting a benchmark in the evolution of packaging technology.



## Enhance Your Capabilities

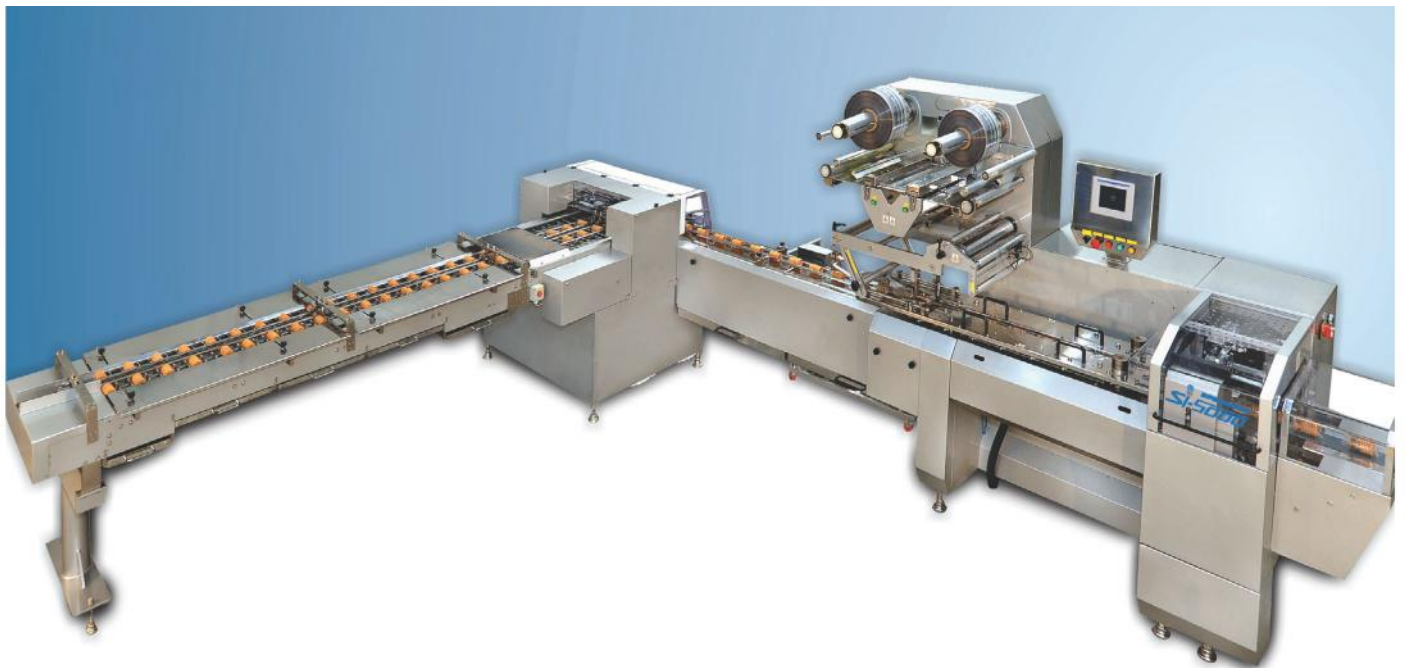
### ULTRASONIC SEALING

State-of-the-art ultrasonic technology for both end and fin seals has become possible with the NSW series, becoming the cornerstone for preserving freshness and quality. Achieving an effortless tear for consumer use without costly coatings, it significantly extends shelf life and reduces food wastage. The standout feature of ultrasonic sealing is its enhanced versatility, enabling Flow Wrappers to operate with a broader range of mono-material films at speed. This simplifies the transition for customers towards more sustainable mono materials while maintaining operational efficiencies.

# ENHANCED PERFORMANCE COMPLETE LINES



Offering comprehensive Turnkey packaging solutions, Flow Wrappers showcase remarkable versatility and can be tailored to meet the precision required for high-capacity production. Widely utilised across diverse industries, including food, pharmaceuticals, cosmetics, and more, these packaging lines play a vital role in ensuring efficiency and reliability, adhering to the stringent standards of various packaging sectors. The integration of Omori's expertise amplifies the adaptability and performance of Flow Wrappers, addressing the distinct demands of different industries with precision and reliability.





perfect automation



# REVOLUTIONARY

The Omori Reclosable Bellpack Machine is revolutionising the industry by moving away from traditional thermoform packaging to innovative recloseable packs. This shift enables a reduction in footprint wastage and lowers both investment costs and energy consumption.

This groundbreaking innovation not only prolongs product longevity but also elevates usability for consumers. The presentation of the reclosable pack is a key feature, achieving an anti-tamper seal for enhanced product protection through a hermetic seal, flawless centered

product delivery, fixed pitch, and without any rotational deviation.

Compared to traditional thermo packs, this approach allows for a substantial 50% reduction in plastic usage. The pack, designed to ensure product protection, guarantees a residual oxygen presence of less than 0.3%, safeguarding the product from dehydration even after reuse. This transformative technology sets a new standard in packaging, emphasising sustainability, efficiency, and enhanced product preservation.



- PLASTICS
- ENERGY
- LABOUR
- MAINTENANCE

# HUGE SAVINGS IN



perfect



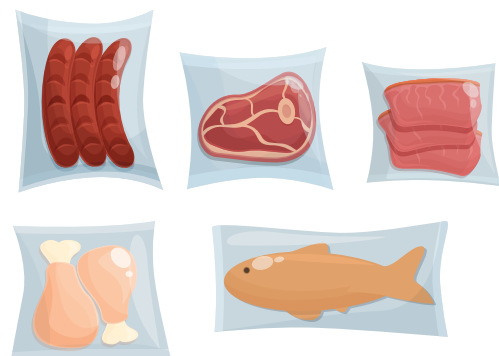
automation

# PACKAGING CHANGE

Traditionally, Flow Wrappers have been instrumental in packaging items such as biscuits, chocolate bars, tissues, and various baked goods like pies and sausage rolls. The retail industry consistently favours horizontal packaging due to its high-speed capabilities and flexibility in handling a diverse range of films suitable for various products. Additionally, this packaging method allows for the incorporation of modified atmosphere technology (MAP).



In a groundbreaking departure from conventional packaging, Omori Flow Wrappers not only produce flow packs with conventional barrier films but have expanded their capabilities to handle meat packaging. This move signifies a shift away from thermoforming tray sealing, which has been the traditional packaging method in the meat industry. The innovative approach of Omori Flow Wrappers results in a fully sealed pack, offering up to 70% reduction in plastics compared to current methods. This transformative shift replaces thick plastic trays with mono-material film, showcasing a strong commitment to sustainability in packaging.



perfect



automation

# STRETCH WRAP INNOVATION

## EMBRACING SUSTAINABILITY: Shifting Away from PVC Films in Packaging

Traditionally, fresh food growers have used stretch wrap film to control and protect oxygen and moisture levels. PVC film, known for its excellent stretching power, memory, and good adhesive functionality, ensures the effective adhesion of flaps to the tray bottom. These characteristics set PVC apart from most non-PVC films.

In a groundbreaking move that addresses the industry's challenge of finding alternatives capable of handling delicate produce such as mushrooms, which has a high decomposing rate, Asahi Film has innovatively developed a polyolefin film (POF). This film successfully transitions fresh produce away from PVC film. This innovative solution is strategically designed to address the high decomposition rate associated with delicate produce, offering a viable transition away from traditional PVC film. Notably, the success of this polyolefin film in Japanese mushrooms, which undergo similar processing conditions to those in Australia, results in an impressive 2-4 days extension in shelf life.

This accomplishment holds considerable importance, given that alternative films within the industry either lack the capability to replicate the distinctive features of PVC films or face challenges in functioning seamlessly with Tray Stretch Wrappers.

In response to this industry-wide gap to replace PVC films, Asahi Film's innovation not only stands as a viable alternative but also represents a superior choice. Effectively addressing the industry's need for a suitable replacement for PVC films with precision and excellence.

As a multinational corporation based in Japan, Asahi Films specialises in producing high-quality sustainable films on a global scale. Established in the 1920s, Asahi Films has consistently pursued innovative solutions while maintaining a commitment to superior quality.





perfect



automation

# DURABLE TRAY STRETCH WRAPPERS

## STN-8500 Tray Stretch Wrapper

Our Omori STN Stretch Wrapper has earned its reputation as the only wrapper globally designed to use less film for specific packaging needs. It stands as the ultimate packaging machinery for fresh produce such as mushrooms, meat, fish, and vegetables. This servo Tray Stretch Wrapper incorporates an advanced vacuum and shutter flap folding system, along with an orbital motion cutting device, enabling the achievement of ultimate speeds while ensuring high-quality presentation.

Speed: 30 - 80 packs/min Cycle Motion      Max 120 packs/min Continuous Motion  
Product Size: 100 - 400mm L x 80 - 210mm W x 15-60mm H



## STC- N5. N6. N7. Series

The STC Series offers a solution for wider trays. Compact and efficient, these Tray Stretch Wrappers stand as the ultimate packaging machinery for various fresh produce such as mushrooms, meat, fish, and vegetables.

Speed: Max 60 packs/min  
Product Size: 100-400mm L x 80-260mm W x 15-60mm H

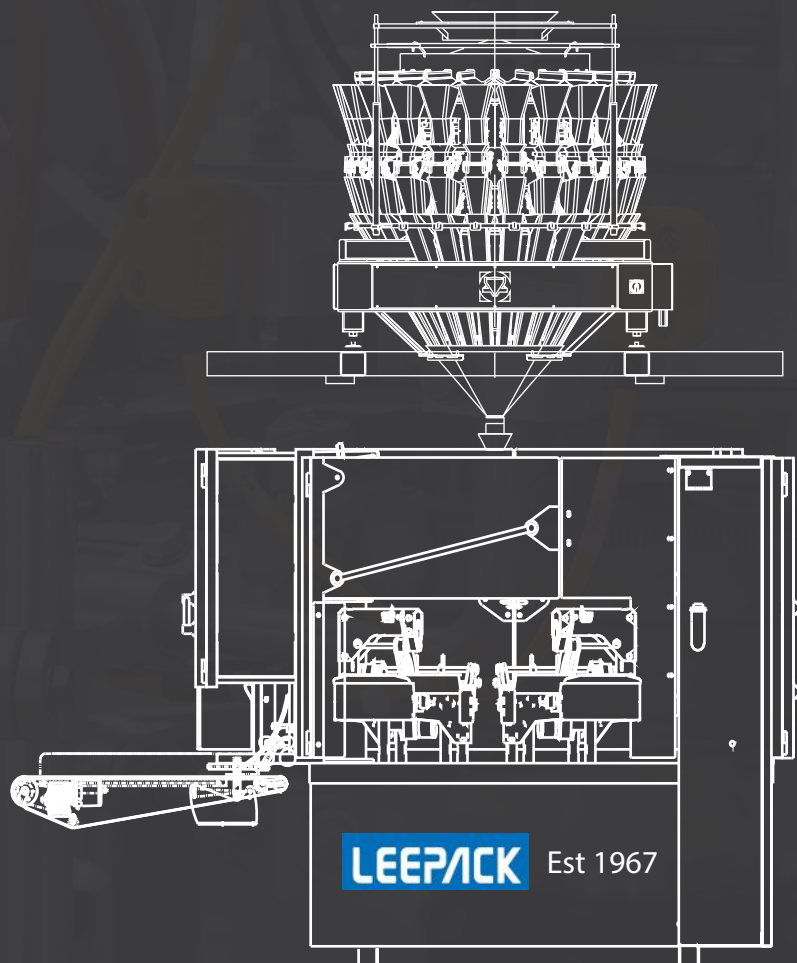


# perfect automation

Leepack manufactures packaging equipment renowned for its unparalleled durability and versatility on a global scale. These machines are specifically designed to deliver exceptional performance, incorporating a patented zipper opening device and gripper design. Engineered for swift changeovers, they require minimal setup to accommodate pouches of various sizes.

As global leaders in the packaging industry, Leepack is recognised for its efficient and high-quality pouch machines. Specifically tailored for the seamless operation of loose products, powders, and liquids, these machines prioritise product safety through an automated process. This capability enables turnkey solutions to attain peak efficiencies, specifically catered to meet consumer demands.

Patrick Mercieca, our technical director, has been dedicated to supporting the installation and servicing of Leepack Pouch Machines for over 17 years, demonstrating a deep understanding of the industry's dynamic changes. His commitment ensures comprehensive assistance Australia-wide, contributing to the continued success of Leepack machines in diverse operational environments.





# perfect automation



## EXCELL WITH LEEPACK

### Simplex

Simplex Pouch Machines feature a single gripper system tailored for smaller distribution lines, ensuring seamless integration and flexibility without compromising performance.

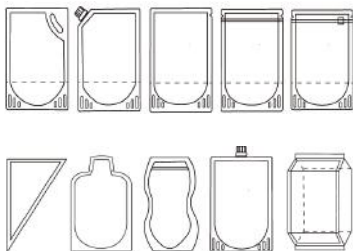
Speed: 40-60 pouches/min  
Station Configuration: 6-10 Stations



### Duplex

The Duplex Pouch Machines have a proven track record in facilitating stable production of small- and medium-sized products with a dual gripper system. It stands out as the optimal solution for customers seeking high productivity under frequent shifts in production.

Speed: 80-100 pouches/min  
Station Configuration: 7-10 Stations





# INNOVATIVE POUCH MACHINES

## Quadruplex

Quadruplex Pouch Machines stand as the pinnacle of packaging efficiency. These state-of-the-art machines reach high speeds, providing an unparalleled packaging solution for industries with rigorous production.

Speed: 140-160 pouches/min  
Station Configuration: 7-8 Stations



## Vacuum Sealing

Incorporating a vacuum suction chamber allows for effortless processing of foods that necessitate extended shelf life by removing all or most of the air from food packages.

Speed: 30-50 pouches/min  
Station Configuration: 8-12 Stations

## Optional Fillers & Feeders

Enhance production efficiency with versatile fillers and feeders, ensuring optimal output and performance.



# HIGH QUALITY COMPLETE LINES

Perfect Automation specialises in the design of comprehensive packaging machinery systems, including weighers, liquid fillers, and powder fillers capable of achieving speeds up to 100 pouches per minute. In high-capacity production environments, a fully automated process is essential, and our solutions not only meet but exceed these demands. Our machines provide the versatility needed for efficient changeovers, ensuring adaptability and flexibility in your packaging operations. This sets the stage for continued success in both current and future operations.





perfect automation



## MULTIWEIGH

Weighing equipment plays a pivotal role in manufacturing processes, ensuring consistency, equality, and accuracy of products. Achieving optimal production efficiency requires seamless operation and minimal downtime across all equipment.

German-engineered to perfection, Multiweigh excels in high-capacity lines. Powered by advanced Linux software, Multiweigh provides the most flexible and stable operating system available worldwide. What sets these weighers apart from all other weighing systems is their unique "direct drive" design, which reduces the number of contactable parts compared to any other weigher on the market. This design not only enhances reliability but also ensures precision and longevity across a broad spectrum of products.

### Multi-head Weighers

Multihead weighers are the ideal solution for packaging a diverse array of items. Manufactured to accommodate a wide range of products, this system leverages multiple hoppers to deliver tailored solutions for handling delicate, sticky, large and heavy products. With unparalleled versatility, multihead weighers can achieve high speeds of up to 300 units per minute, depending on product requirements. Engineered for flexibility, these units meet customer demands while ensuring precision and reliability, making them perfect for high-capacity production lines.



#### MW XV 10-4.0

Weighing Heads: 10  
Weigh Range: 50g-10kg  
Volume/Discharge Max: 10.000ccm

#### MW XV 14-4.0/6.0

Weighing Heads: 14  
Weigh Range: 200g-3kg  
Volume/Discharge Max: 12.000ccm

#### MW -20-2.0-GS Twin

Weighing Heads: 20  
Weigh Range: 200g-1kg  
Volume/Discharge Max: 5.000ccm Volume





perfect



automation



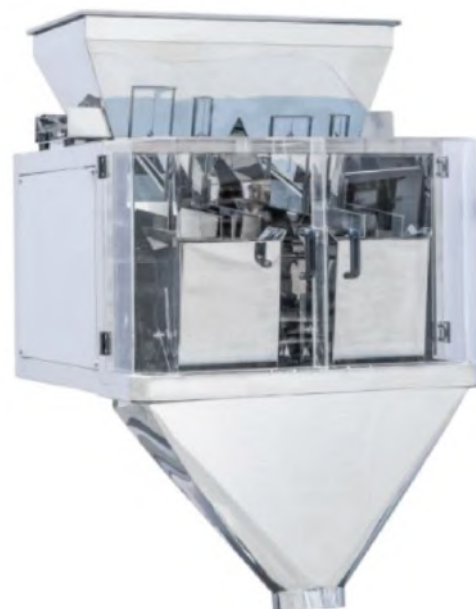
# AUXILIARY

At Perfect Automation, our auxiliary equipment is as vital as our packaging machines, ensuring meticulous care and safety for your product to uphold the highest production standards. Built for durability and longevity, our systems boast high compatibility for integration into both new and existing packaging lines, tailored to seamlessly align with your specific requirements for optimal functionality.

## Linear Weighers

Linear weighers offer rapid, hygienic, and precise packaging by completely eliminating the necessity for manual bag filling. Ideal for both entry-level operation and small-scale production runs, a single-head weigher represents an efficient and accessible option in the realm of packaging solutions.

- Capable of mixing and weighing different products simultaneously at one discharge.
- Utilises a stepless vibrating feeding system for smooth product flow.
- Parameters adjustable to suit different production needs.
- Pre-set up to 99 programs for ease of operation.
- Includes a piece counting function.



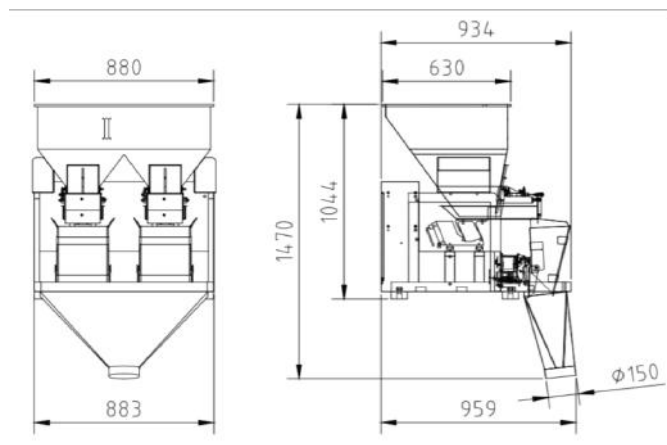
### HS-H2L8

Weighing Heads: 2

Weigh Range: 10g-5kg

Max Weighing Speed: 30 wpm

Bucket Capacity: 8L



# perfect automation



## Metal Detectors

Our Metal Detectors stand out in their capability to detect foreign bodies and contaminants, providing a critical layer of protection for your products during distribution. These detectors are well-suited for inspecting a wide range of products, from small snack bags to larger items, with an applicable passage width of up to 80cm. The detectors exhibit high sensitivity, capable of detecting both ferrous (Fe) and non-ferrous (SUS) foreign objects, ensuring comprehensive product safety throughout the packaging process.

Metal Detectors  
Speed: Up to 24m/min (50Hz)  
Product Size: 10g - 20kg



## Pipe Transfer Type Metal Detector

Designed for the inspection of paste or fluid products like miso, minced meat, or jam, our system features a detachable pipe with a one-touch operation, ensuring easy cleaning and maintenance.



## Metal Detectors/Checkweigher Combination Units

Our combination units of Metal Detectors and Checkweighers provide the optimal solution for ensuring both product safety and weight accuracy, contributing to the seamless operation of production processes.

Metal Detector/Checkweigher Combo  
Speed: Up to 90m/min  
Product Size: 30g - 6kg





## X-Ray Inspection Systems

Our X-Ray Inspection Systems excel in high-level product inspection, identifying foreign bodies like hard rubber seals, metal, glass, and stone. These advanced systems are capable of detecting contaminants even in aluminium-packed products, ensuring product safety.



## Hybrid X-Ray Inspection Systems

Our Hybrid X-ray Inspection Systems excel in identifying contamination within seal lines. These X-ray machines are versatile and well-suited for a wide range of applications, including pre-processed raw materials, cooked products, packaging goods, and storage and shipment processes. These Hybrid Systems incorporate both optical detectors and X-ray detection, thereby enhancing their capability to identify seal line jamming, foreign bodies, and variations in relative weight and shape.

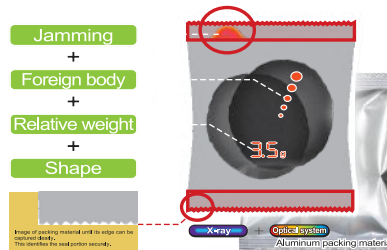
### X-Ray Inspection Systems

Weight Capacity: 1kg- 25kgs

Speeds: 15~45m/min

10~30m/min

20~60m/min



## Checkweighers

Our vast array of Checkweigher options are designed to accommodate your production outputs, weight requirements, and accuracy levels. Equipped with rejector systems, these options ensure that your product maintains high standards while minimising the labour-intensive process of manual checking.

### Checkweighers

Weight Capacity: 1g ~ 20kg

Speeds: 110ea/min - 300 ea/min

Multi Lane Options







perfect automation

# Comprehensive Servicing

## Machine Commissioning

Perfect Automation's experienced team of trained technicians are multi skilled in our range of machinery ensuring that machinery is installed and commissioned to suit your specific needs.

At Perfect Automation, our team of experienced and multi-skilled technicians ensures that your machinery is installed and commissioned to meet your specific needs. We provide efficient responses to service requirements, on-site training, and repairs.

Our technicians work collaboratively with your engineers and operators, explaining the work undertaken, providing training, recommending procedural improvements, and sharing best practices. This ensures your equipment consistently performs to your expectations.

Lorem ipsum

## Operator Training

Perfect Automation understands that knowledge is paramount in getting the most out of your equipment. To maintain maximum performance, we offer a range of training programs to suit your needs and maintain consistent employee skills.

We offer:

- Staff training on all levels
- Group training programs
- Initial installation training and equipment familiarisation
- Preventative Maintenance

## Spare Parts

Investing in a packaging machine is a significant decision, and at Perfect Automation, we ensure that your investment is well-supported throughout its entire lifecycle. We provide a comprehensive list of recommended spare parts tailored to your specific machine further supported by additional stock in our warehouse, ensuring optimal performance and minimal downtime. With Perfect Automation, you get the assurance of continuous support and the convenience of readily available spare parts, maximising the efficiency and longevity of your equipment.



1300 525 669

[sales@perfectautomation.com.au](mailto:sales@perfectautomation.com.au)

[perfectautomation.com.au](http://perfectautomation.com.au)