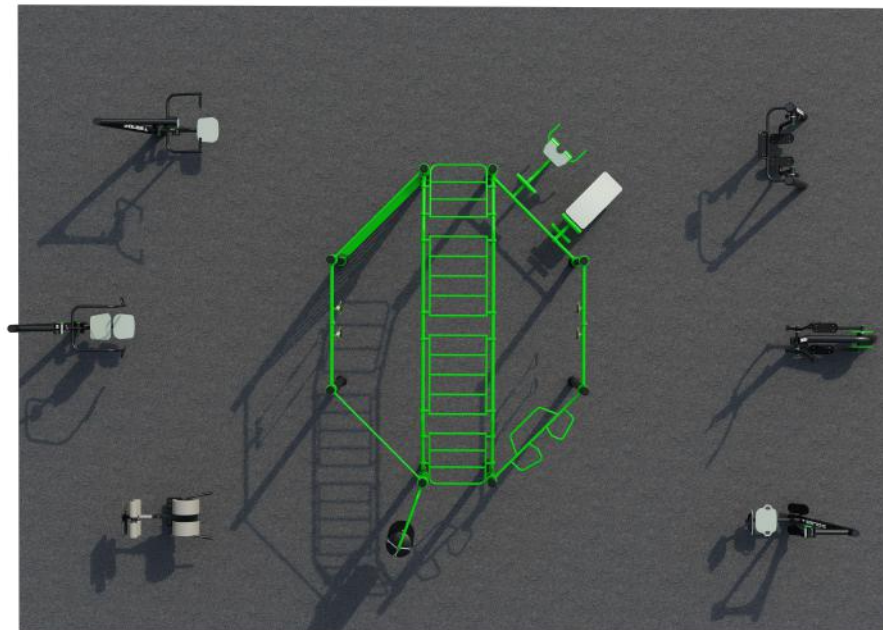
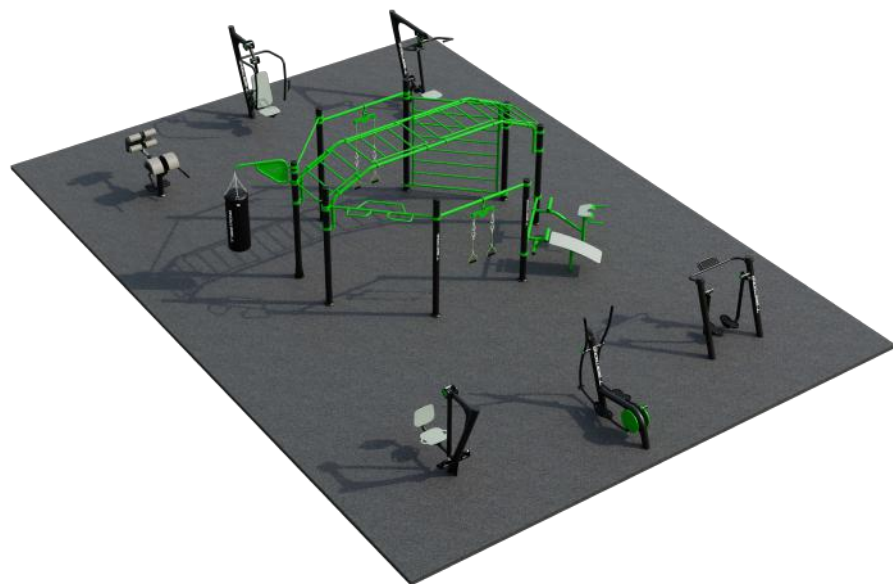


# BESTRONG

 [bestrongworld](#)  [bestrongworld](#)  [usa.bestrong.com](#)  [usa@bestrong.com](mailto:usa@bestrong.com)

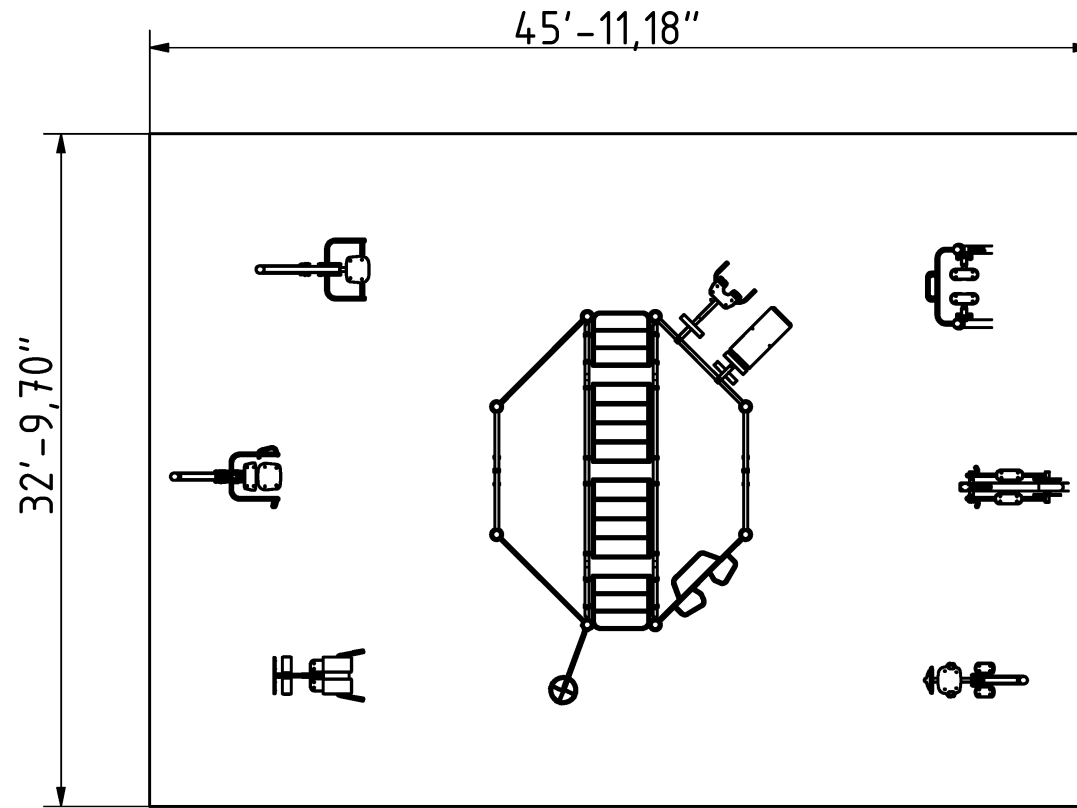


## FitLiving 5

Reimagine fitness in your residential complex with FitLiving 5 Outdoor Fitness Park. Exclusively designed to meet the needs of residents, this outdoor facility combines functionality with aesthetics. Featuring a wide array of top-of-the-line equipment, FitLiving 5 creates an inspiring and invigorating environment where residents can engage in various workouts, fostering a sense of community and overall health.

## Attributes

Product code	1-3-253
Certificate	EN 16630, ASTM F3101
Age group	14 + years
Designed for	Residential Complexes
Capacity	28 people
Fall height	6.9 ft



## Technical specification

Anchoring option  
 Net weight  
 Material  
 Anti-corrosion possibility  
 Total Area  
 Color options  
 For more color options, discuss with your sales representative.

In-ground or surface  
 2845 lbs  
 S235  
 Galvanized or EPD  
 1506.4 ft<sup>2</sup>



## Warranty

Structure  
 Steel  
 Paint  
 Plastic  
 Rubber  
 Moving parts  
 Detailed information in the warranty document

25 years  
 15 years  
 2 years  
 5-10 years  
 1-3 years  
 2 years