

THE WHALE





BASIC FEATURES

AGE GROUP: 5 to 12 years old
 FALL HEIGHT: 128" (3,3m)
 CHILD CAPACITY: 10 children
 DIMENSION (WT x DT x HT): 16'9" x 13'8" x 13'0" (5,1m x 4,2m x 4m)
 REQUIRED SURFACE: 31' x 29' (9,4m x 8,8m)



RECREATIONAL EXPERIENCE

A museum piece in your park, that's right, a 7 foot long whale skeleton! It is an imaginative climber with multiple hand holds for a variety of climbing opportunities. Also, the head and fins can be used as surfboards for balance coordination or as a seat. Challenge the children's imagination with this unique structure.

BODY MOVEMENTS

Climbing Intensive (10)	Imagining Intensive (10)
Pulling up Intensive (9)	Hanging Intensive (9)
Socializing Intensive (9)	

MATERIALS

METALS

Spine: 6005-T5 grade aluminum tube measuring 5"(127mm) in outer diameter.
Secondary structure: 6005-T5 grade aluminum tube measuring 1-1/2"(38mm) in outer diameter.
Hardware: Made of stainless steel, Anti-vandal type.

COATINGS

Paint: When painted, metallic parts are coated with a UV resistant Z-Series polyester powder. Before applying this powder, which is baked at 400°C, the steel is blasted with the stainless steel ball.(lv)

PLASTIC MATERIALS

Panels: Panels and other plastic parts are made of HDPE polyethylene colored in the mass and treated against UV rays. All edges are rounded for maximum safety.(lv)

FLEXIBLE MATERIALS

Flange Covers: Made of 82 durometer ultra resistant rubber and treated against UV rays.

ANCHORING

ON STRINGERS
 This product is anchored in the ground by a system of galvanized steel stringers. Some parts of the stringers may be made of recycled plastic.

COLOUR CHOICES

Aluminum / Steel

SPATIAL GRAY	MATADOR RED	METALLIC COPPER	TAN	AMARYLLIS	BRIGHT YELLOW
BURNT ORANGE	BRIGHT TURQUOISE	BRIGHT PURPLE	SPECTRAL BLUE	EGYPTIAN GREEN	IRISH GREEN
RUBY RED	BUTTERY YELLOW	ESPRESSO BROWN	SYMPHONY BLUE	CROW BLACK	WHITE

Made in our factory at Lévis, Québec, Canada • Meets CAN/CSA-Z614 • IPEMA Certified

ASSEMBLY PLAN

JAMBETTE PLAYGROUND
EQUIPMENTS INC.

700, DES CALFATS, LÉVIS, QC.
G6V 9E6

Rev.:
20/09/13

X

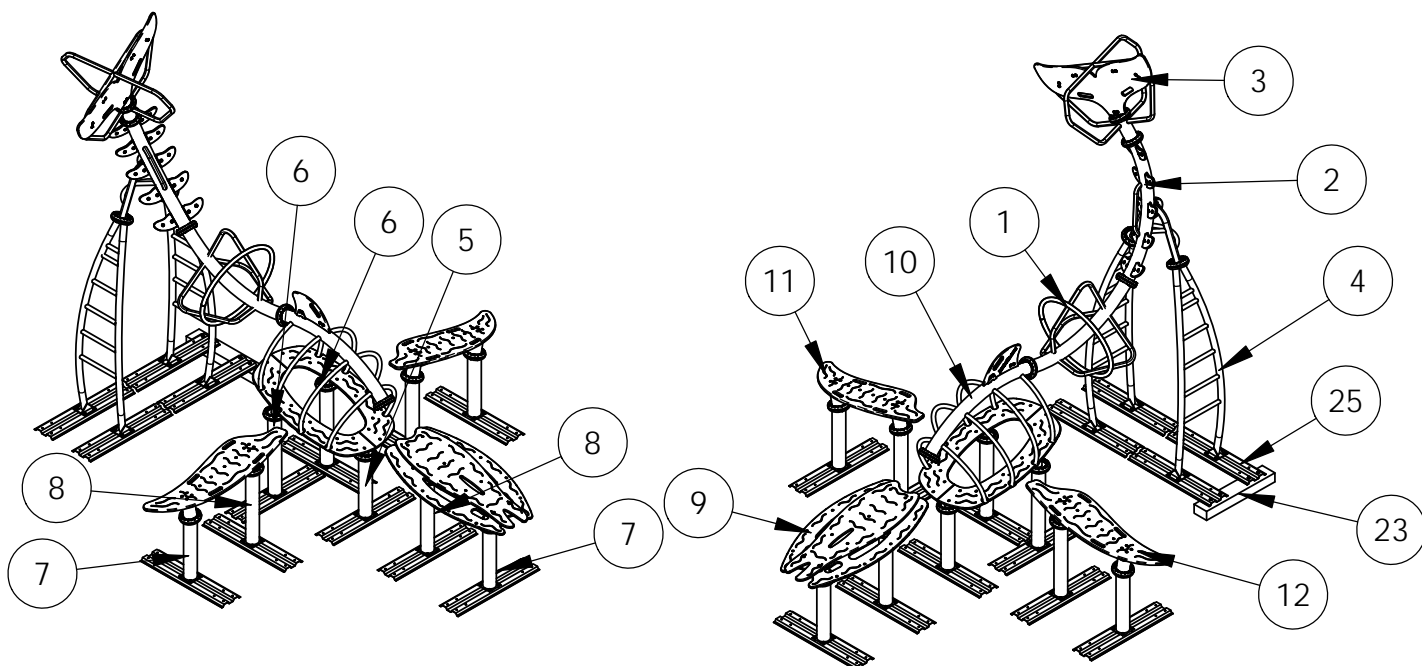
DL

G-13001

Components list

The Whale

Item	Description	Qty.	Number
1	Tubular frame with hoop (Whale)	1	*14007
2	Tail tubular frame with ladder brackets (Whale)	1	*14009
3	Tail (Whale)	1	*14011
4	Tail supporting ladder (Whale)	2	*14013
5	5"Ø x 27 (Straight cut)	1	*14015
6	5"Ø x 35 (Straight cut)	2	*14017
7	5"Ø x 27-3/4 (Angular cut)	3	*14019
8	5"Ø x 33-1/4 (Angular cut)	3	*14021
9	Whale head	1	*33749
10	Whale chest	1	*33750
11	Left fin (Whale)	1	*33751
12	Right fin (Whale)	1	*33752
13	3/8*1 Stainless steel carr.bolt	84	40151
14	3/8*1-1/2 Stainless steel carr.bolt	84	40161
15	3/8*1-1/4 HDG Carr. Bolt	52	40465
16	7/16 Flat washer	52	42435
17	3/8 Stainless flat washer	84	42470
18	3/8 HDG Spring Lock Washer	52	42565
19	3/8 HDG Hex Nut	52	42730
20	3/8 St/St thin nylon lock nut	84	42811
21	3/8*5 Wedge anchor bolt	4	45240
22	st/st barrel nut 3/8-16*1/2	84	46999
23	4*6-1/2*35 concrete footing	1	60125
24	XyrÅ Rubber Flange Protector	28	60513
25	9-5/8*42" Steel stringer (16 holes) gv	13	123454



ASSEMBLY PLAN

JAMBETTE PLAYGROUND
EQUIPMENTS INC.

700, DES CALFATS, LÉVIS, QC.
G6V 9E6

Rev.:

20/09/13

X

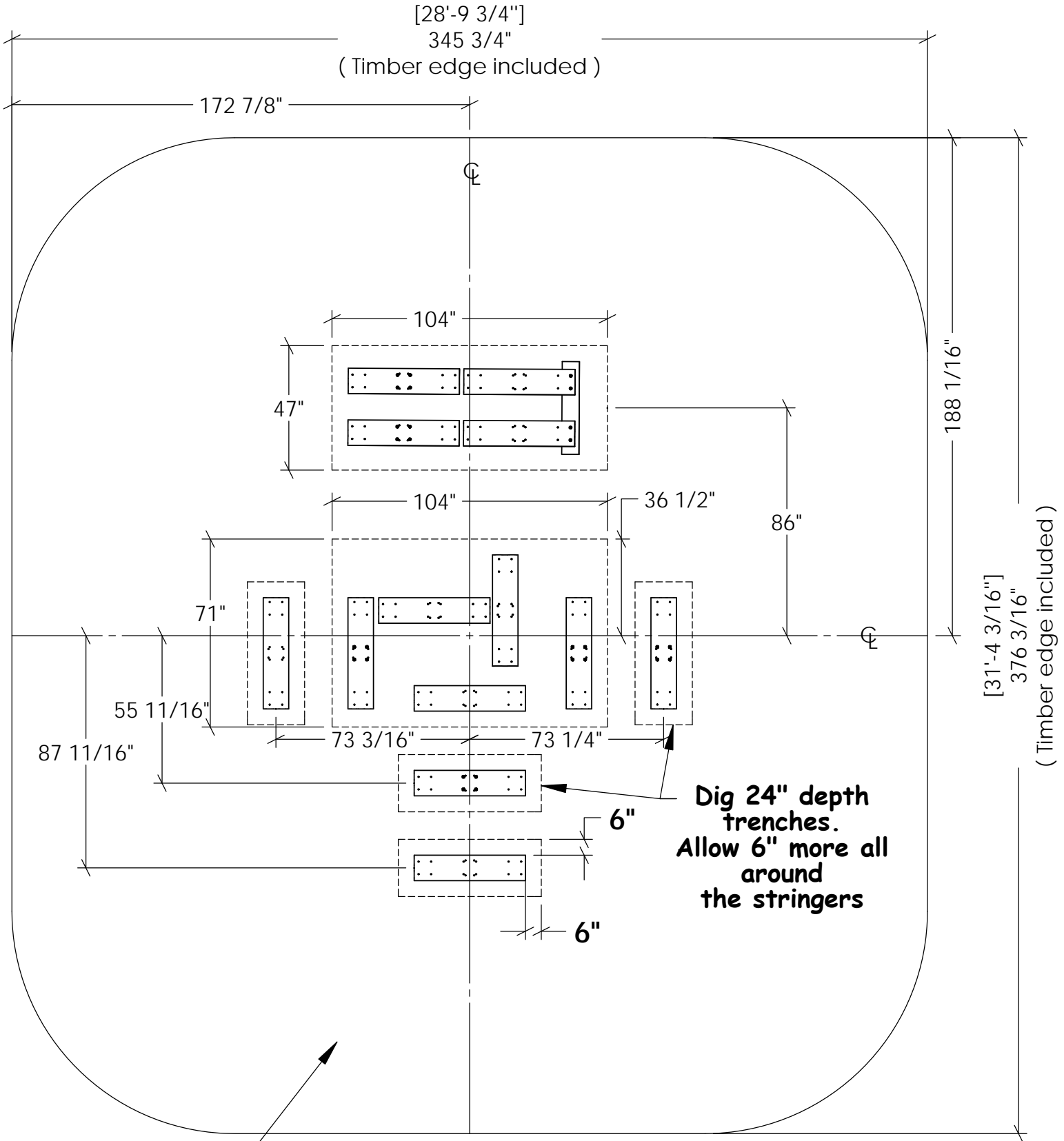
DL

G-13001

Plan view

The Whale

(On stringers)



[28'-9 3/4"]

345 3/4"

(Timber edge included)

172 7/8"

188 1/16"

[31'-4 3/16"]

376 3/16"

(Timber edge included)

104"

47"

104"

36 1/2"

86"

71"

55 11/16"

87 11/16"

73 3/16"

73 1/4"

6"

6"

**Dig 24" depth
trenches.
Allow 6" more all
around
the stringers**

Protective surface

ASSEMBLY PLAN

JAMBETTE PLAYGROUND
EQUIPMENTS INC.

700, DES CALFATS, LÉVIS, QC.
G6V 9E6

Rev.: 20/09/13

X

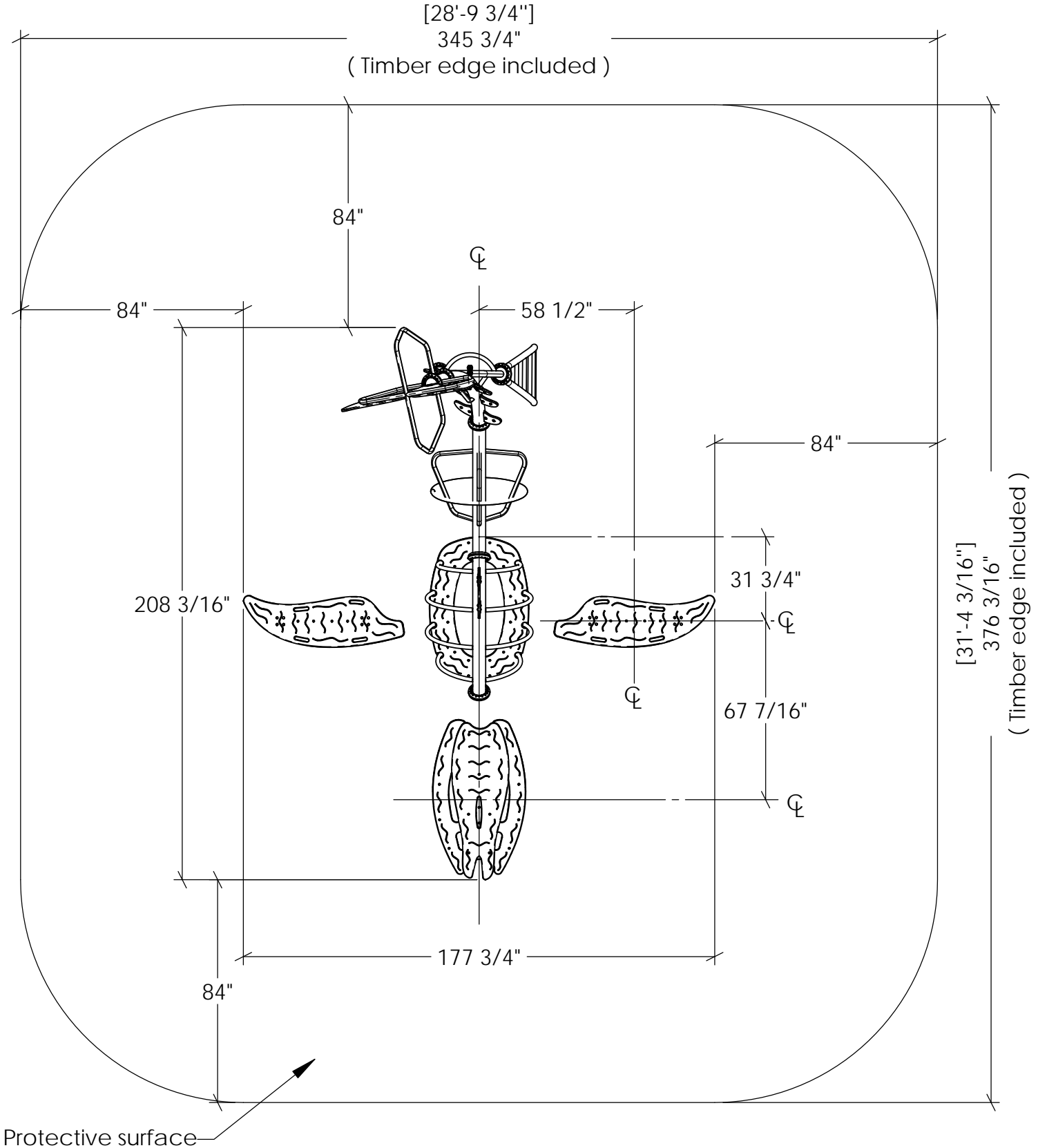
DL

G-13001

Plan view

The Whale

(On stringers)



ASSEMBLY PLAN

JAMBETTE PLAYGROUND
EQUIPMENTS INC.

700, DES CALFATS, LÉVIS, QC.
G6V 9E6

Rev.:
20/09/13

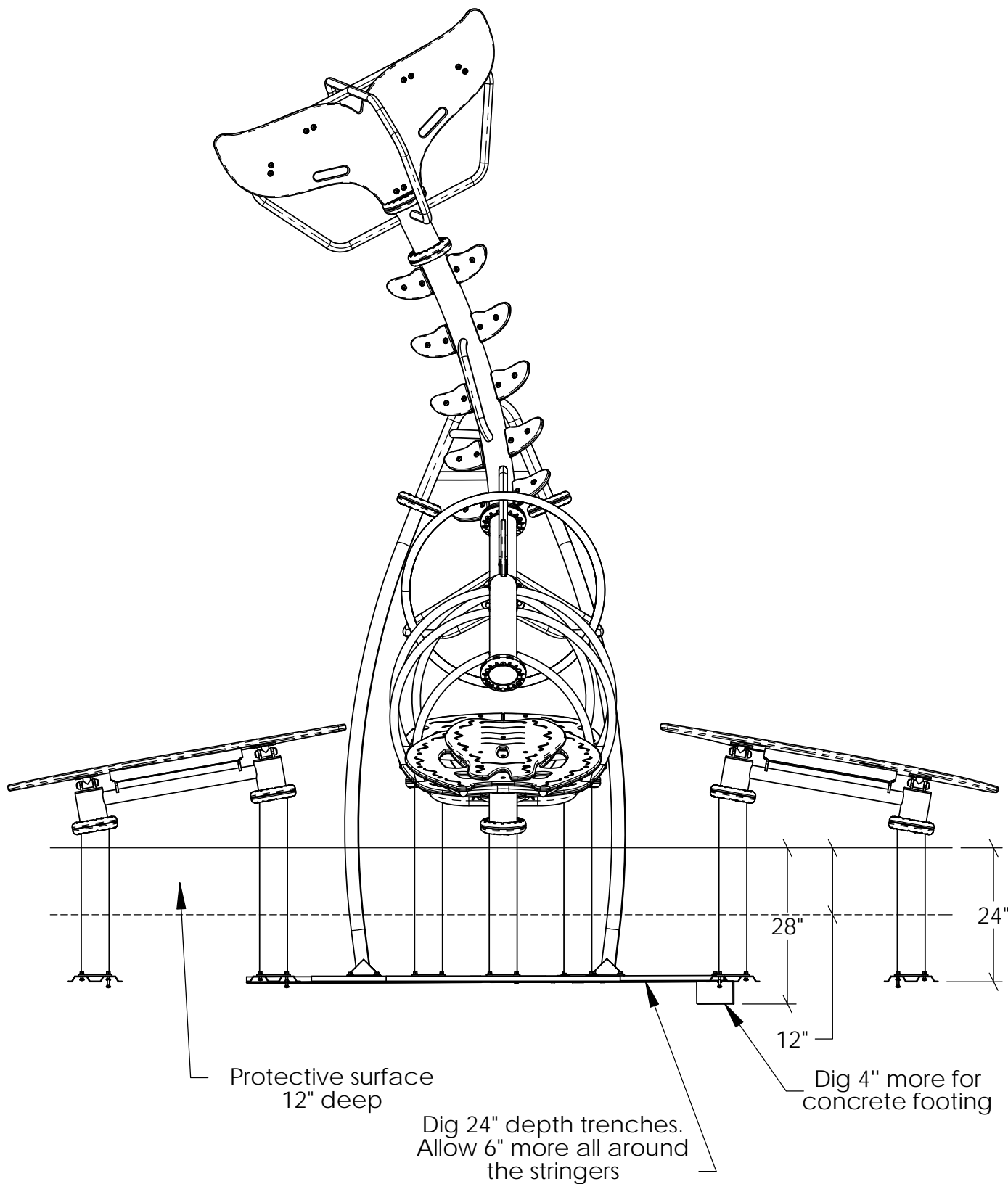
X

DL

G-13001

Excavation depth

The Whale



JAMBETTE PLAYGROUND
EQUIPMENTS INC.

700, DES CALFATS, LÉVIS, QC.
G6V 9E6

Rev.:

20/09/13

X

DL

G-13001

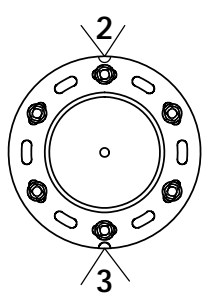
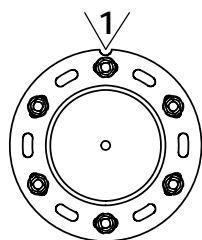
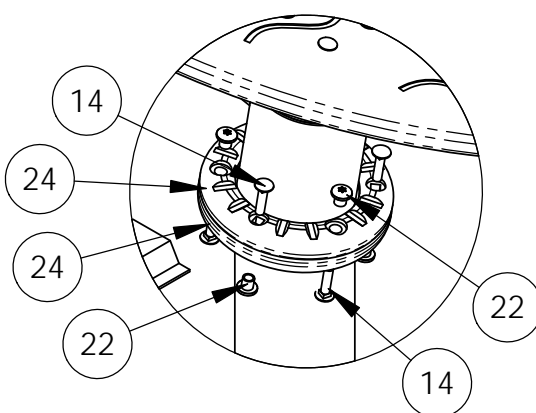
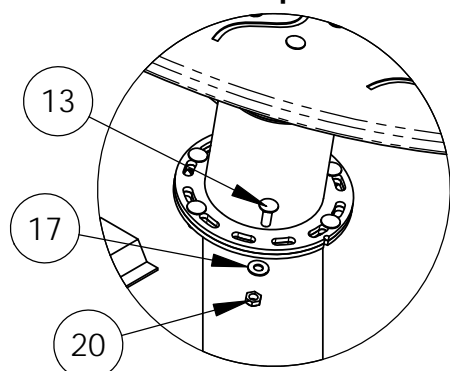
Tubular assembly and rubber flange protectors

The Whale

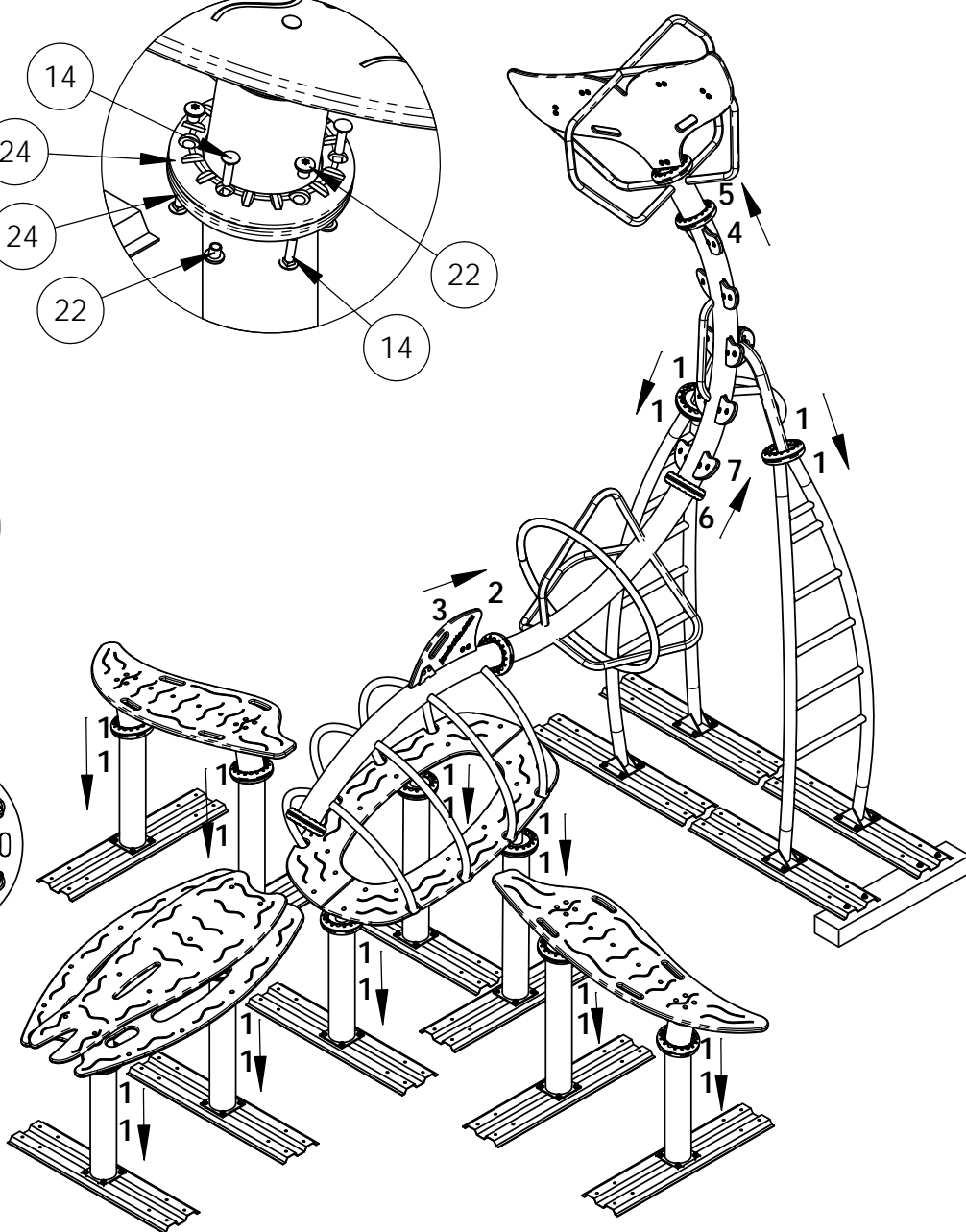
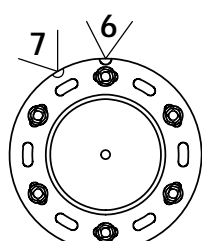
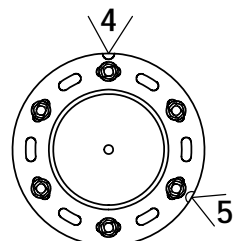
Item	Description	Qty. / Joint	Number
13	3/8*1 Stainless steel carr.bolt	6	40151
14	3/8*1-1/2 Stainless steel carr.bolt	6	40161
17	3/8 Stainless flat washer	6	42470
20	3/8 St/St thin nylon lock nut	6	42811
22	st/st barrel nut 3/8-16*1/2	6	46999
24	XyrÅ Rubber Flange Protector	2	60513

Step 1

Step 2



Align the notches



→ View direction

4 > Tubular frame number

4 > Flange notch

ASSEMBLY PLAN

JAMBETTE PLAYGROUND
EQUIPMENTS INC.

700, DES CALFATS, LÉVIS, QC.
G6V 9E6

Rev.:
20/09/13

X

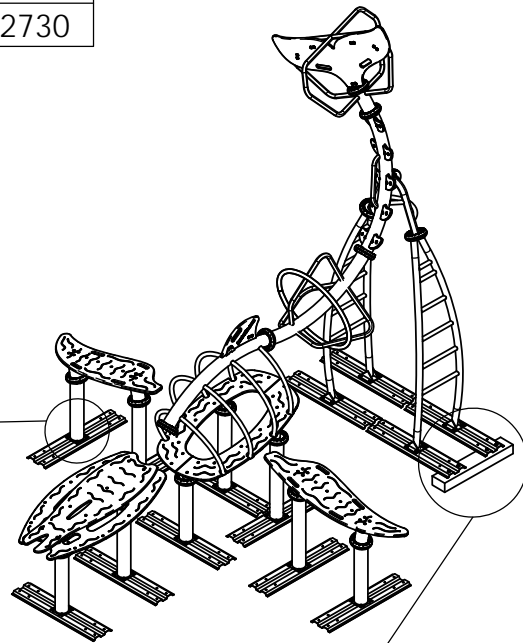
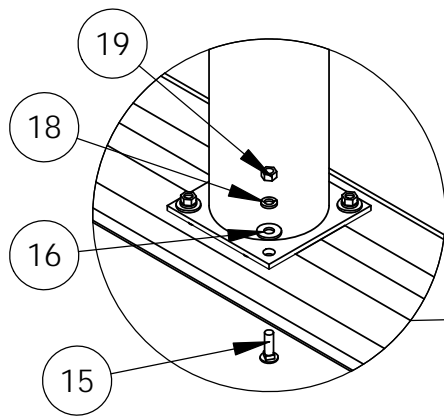
DL

G-13001

Stringers details

The Whale

Item	Description	Qty. / Leg	Number
15	3/8*1-1/4 HDG Carr. Bolt	4	40465
16	7/16 Flat washer	4	42435
18	3/8 HDG Spring Lock Washer	4	42565
19	3/8 HDG Hex Nut	4	42730



Item	Description	Qty. for this step	Number
21	3/8*5 Wedge anchor bolt	4	45240
23	4*6-1/2*35 concrete footing	1	60125

