



**STOCKCHASER** – Versatile stock picking, tugging and maintenance vehicle for manufacturing and warehousing.

VOLTAGE	24, 36, or 48 volt
RANGE	Up to 40 mi / 64 km
TURNING RADIUS	67 in / 178 cm
TOW CAPACITY	Up to 5,000 lb* / 2,268 kg*
LOAD CAPACITY	Up to 1,000 lb / 454 kg



## SAFETY

- Rotary forward/reverse switch with LED direction indicator
- Reverse beeper
- Operator presence sensor
- Low 7 inch step height
- Optional high visibility LED headlight, combination tail light

## PERFORMANCE/ RELIABILITY

- Optional on-board battery charger with blue-tooth monitoring
- Optional AC efficient motor
- Regenerative braking
- Optional powerful GT drive
- All steel construction Taylor-Dunn quality

## COMFORT

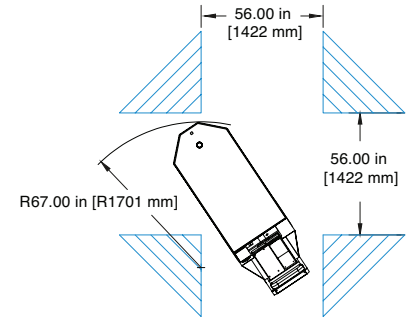
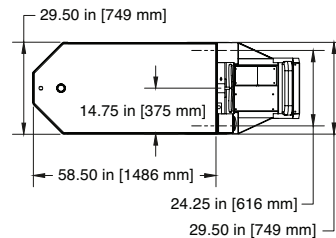
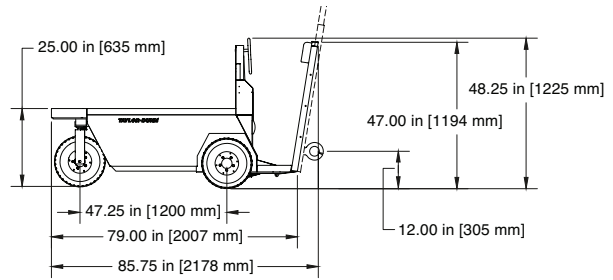
- Clover leaf steering
- Foot operated treadle for gas/brake control
- Angled operator back rest
- Large operator area
- Optional clip board holder

## PERFORMANCE

<b>LOAD CAPACITY</b>	<b>SC-90:</b> 900 lb / 182 kg <b>SC-100:</b> 1000 lb / 454 kg
<b>TOW CAPACITY</b>	<b>SC-90:</b> 2,000 lb / 907 kg <b>SC-100:</b> 5,000 lb / 2,268 kg
<b>MAX SPEED</b>	8 mph / 13 km/h
<b>TURNING RADIUS</b>	67 in / 170 cm

## DIMENSIONS

<b>OVERALL LENGTH</b>	86 in / 218 cm
<b>OVERALL WIDTH</b>	29.5 in / 75 cm
<b>OVERALL HEIGHT</b>	48 in / 123 cm
<b>WHEEL BASE</b>	47 in / 120 cm
<b>DECK SIZE (W x L)</b>	29.5 x 58 in / 75 x 147 cm
<b>DECK HEIGHT</b>	25 in / 64 cm



## POWER SUPPLY / DRIVE TRAIN

<b>MOTOR</b>	<b>SC-90:</b> (Series) <b>-24:</b> 3.8 hp AC; <b>SC-100:</b> (Separately Excited) <b>-24:</b> 4 hp AC; <b>-36:</b> 4.7 hp AC; <b>-48:</b> 8.8 hp DC
<b>SYSTEM VOLTAGE</b>	24, 36, and 48 Volt
<b>DRIVE AXLE</b>	<b>SC-90-24:</b> Direct Gear; <b>SC-100:</b> GT Automotive Type Differential
<b>BATTERY</b>	210 Amp-hour, 6 Volt, Lead Acid
<b>CHARGER</b>	Built in with Interlock 115 VAC/60 Hz. <b>SC-90-24 &amp; SC-100-24:</b> 700 Watt, with Bluetooth Built in with Interlock 115 VAC/60 Hz. <b>SC-100-36:</b> 1kW with Bluetooth; <b>SC-100-48:</b> 1kW
<b>CONTROLLER</b>	Solid State Speed Controller, Regenerative Braking

## CHASSIS

<b>FRAME</b>	Fully Welded, Unitized, 16 Gauge
<b>STEERING</b>	Manual, Chain Linkage, Front Fork, Clover Leaf Steering Wheel
<b>SUSPENSION</b>	Solid Mounted Rear Axle
<b>BRAKES</b>	Hand-Operated Parking Brake. <b>SC-90:</b> Rear Drum; <b>SC-100:</b> Rear Disc
<b>TIRES</b>	4.80 x 8, Load Range B, Pneumatic

## GENERAL

<b>UNIT WEIGHT</b>	<b>SC-90:</b> 760 lb / 345 kg; <b>SC-100-24:</b> 970 lb / 440 kg; <b>SC-100-36:</b> 1,095 lb / 497 kg; <b>SC-100-48:</b> 1,195 lb / 542 kg
<b>SEAT</b>	Padded Backrest
<b>INSTRUMENTATION</b>	Combination Display, F-N-R Switch, Reverse Alarm, DC/DC Converter, Electric Horn
<b>CONFORMANCE</b>	Type E OSHA 1910.178, ANSI B56.8

## OPTIONS

- Headlight/Taillight/Reverse Light
- Round Steering Wheel
- Knee Pad, Comfort Kit
- 4, 5, or 6 Step Ladder
- Portable Charger
- Strobe Light on a Pole
- Soft Solid Tires
- Dual Front Fork
- Clipboard Holder
- Lift-out Battery Box
- Various Hitches

## WARRANTY



## PROCUREMENT

