



**HTC**

# **EXPANDABLE CONTAINER UNITS**

## **VIOLET SERIES BROCHURE**

For more information, call (02) 4545 2599 or visit online at [www.hometechclub.au](http://www.hometechclub.au)



## VIOLET Series

These expandable container units fold out to triple their original size and are perfect for off-grid, compact living arrangements. Assembled overseas and delivered partly fitted-out, the VIOLET Series is your affordable, rapid-deployment living solution.

For a full price guide for the VIOLET Series, please contact Home Technology Club. Installation and delivery cost are not included.

Prices are subject to change at any time and availability of units may vary. Lead times for custom units may be from 10-16 weeks from time of deposit.

HTC will provide a quote for delivery according to your location and delivery provider.





# Contents

Enquiry Process . . . . .	<b>7</b>	Home Options . . . . .	<b>32</b>
Product Overview . . . . .	<b>8</b>	Installation Overview . . . . .	<b>34</b>
Standard Inclusions . . . . .	<b>10</b>	Footings Diagrams . . . . .	<b>36</b>
Unit Drawings . . . . .	<b>16</b>	Unit Transportation . . . . .	<b>38</b>
Connection Detail . . . . .	<b>28</b>	FAQs. . . . .	<b>39</b>
Roof & Patio . . . . .	<b>30</b>		



## Who Are We?

---

Home Technology Club (HTC) specialises in transportable rapid-deployment buildings, sustainable technologies and home appliances at affordable prices.

Available in 20ft, 30ft or 40ft models, the VIOLET Series offers pre-fabricated solutions that enable you to deploy a secondary dwelling just about anywhere. We also supply a range of other quick-install units that can be relocated with relative ease.

We have curated a range of accompanying appliances and technologies to enhance the freedom offered by the VIOLET Series. We offer complete solar systems with batteries and solar panels, water storage solutions for all types of locations, efficient heat pump hot water systems, affordable septic tanks, air-conditioning and more.

Home Technology Club is a Cornick Pty Ltd company. Cornick is a family business with over 45 years of trading.

Let us showcase the benefits of the VIOLET Series, work out your needs, and find a solution that is right for you - contact HTC today.



**Frank Ferrara**

**Founder of Home Technology Club**



# Display Home Village Mulgrave NSW



CALL US:  
**(02) 4545 2599**





**Demonstration Units**  
59 Mulgrave Road  
Mulgrave NSW



VIOLET Series kitchen layout after deployment.

# Enquiry Process

VIOLET Series



The first step is to consult with you to find the right VIOLET Series container unit for you. Contact us by phone, submit your enquiry online or schedule a visit to one of our demonstration units at Mulgrave NSW (Mon-Fri 9am-5pm, Saturday 9am-12pm).

## 1. Understanding Your Needs

---

Contact us in person, over the phone or online and we will discuss:

- Prospective site location and access
- Desired schedule for purchase/delivery
- Possible unit transportation options
- Any questions regarding VIOLET units

We can provide a free quotation on discussion of your requirements. Floor plans can be designed using the drawings in this brochure.

## 3. Site Preparation

---

After reserving your unit, you can begin work on building the footings/piers using our footings guide in this brochure.

Once footings are complete, arrangements for balance payment and transportation to site can be made.

## 2. Reserving a Unit

---

After receiving your quotation form, we will generate a quote for you. If you approve of the quotation, we request 20% deposit of the total cost to reserve an incoming standard design unit, or to put a custom unit into production.

Assembly of custom designs can take 6~8 weeks to complete (excludes shipping). Additional lead time may be required in peak periods or during times with a full construction schedule.

## 4. Delivery of Your Unit

---

Upon balance payment and freight payment, we will work to coordinate a shipment date that suits you best. We will load onto the chosen transport from our distribution centre in Mulgrave NSW.

Once arrived at your site, you may require additional cranes to lift-off from the truck or lift over obstacles.

VIOLET Series units come packed up and require expansion, fitout and connecting to electrical, water and septic services to be completed.

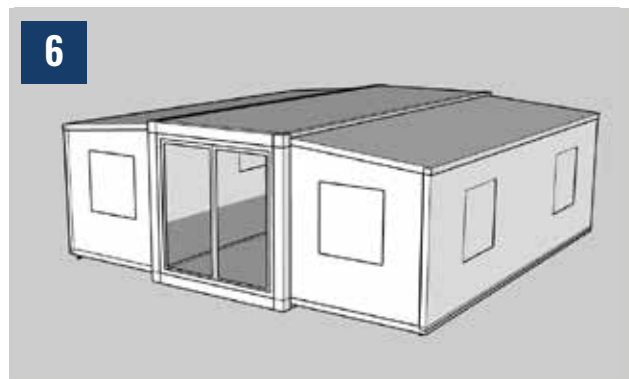
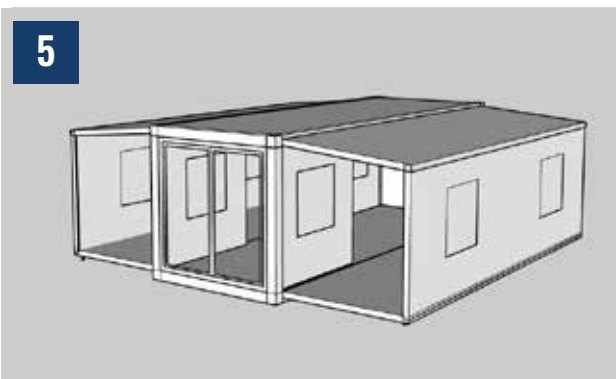
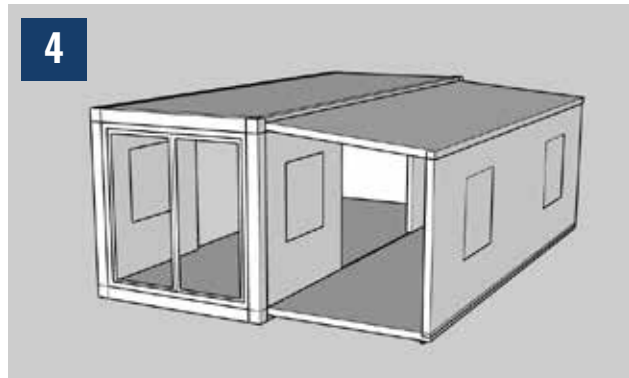
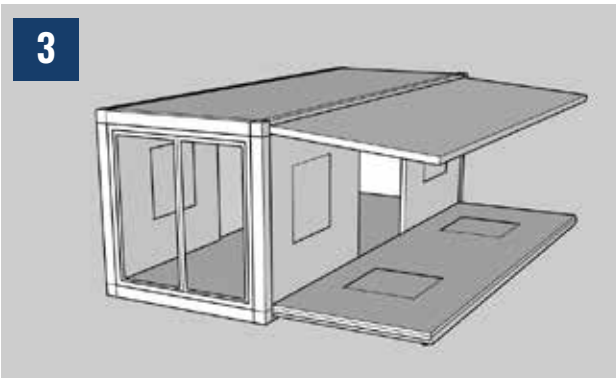
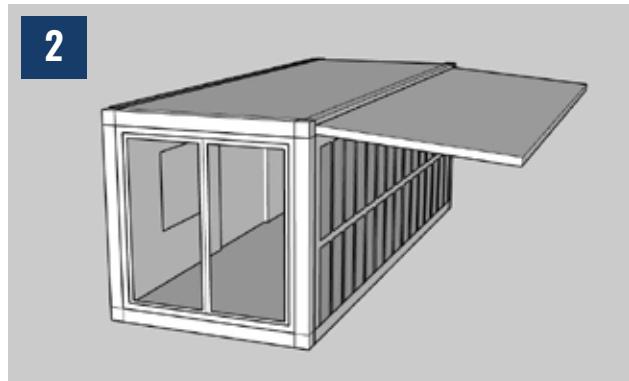
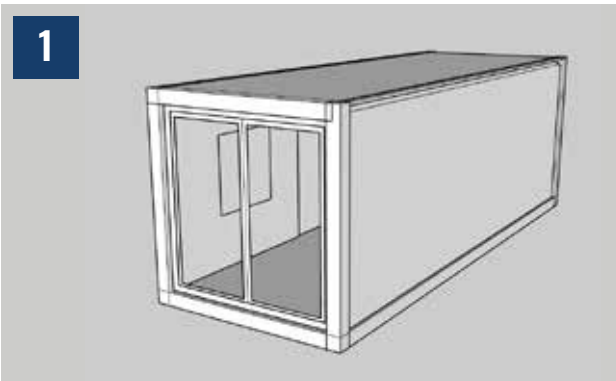
# Product Overview

## VIOLET Series



VIOLET Series container units are not your standard container unit. Each unit is built from the ground up unlike others that are constructed using pre-loved shipping containers. They are designed to fit into 40ft high-cube shipping containers for easy transportation.

Once delivered and unpacked, the unit is placed on footings and can be expanded out to full size. This is performed by its hinged design that enables folding-out of the ceiling, floor and walls, effectively tripling its floor space.







VIOLET 20ft Expandable (front)



VIOLET 20ft Expandable (rear)

# Standard Inclusions

## VIOLET Series



Our standard design for VIOLET Series container units offers a fantastic base configuration that we're sure will fit your requirements and leave room for you to make the unit your own. Please see the standard inclusions for all\* expandable VIOLET container home models (20ft, 30ft, 40ft).

### EXTERIOR & CONSTRUCTION

Heavy duty galvanised steel forms the frame of the VIOLET Series container units, with the walls and ceilings constructed from EPS (expanded polystyrene) sandwich panels. This is the same sandwich panel commonly used in cool rooms, offering superior insulation.

- Heavy duty galvanised steel frame for robust walls, floor and ceiling
- 75mm expanded polystyrene (EPS), galvanised steel sandwich panel walls/ceiling
- 18mm fibre cement board base, pre-fitted to steel frame, sub-floor material

### FLOORING & TRIM

Each VIOLET Series container unit comes standard with pre-laid PVC flooring.

- PVC flooring (grey colour as standard), pre-fitted to fibre cement board base layer
- Ceiling and floor skirting board trim and corner trim with capping pieces

### WINDOWS & DOORS

Glass windows and exterior glass doors are double glazed for improved insulation and sound deadening. Interior and exterior doors are included (excludes additional sliding doors).

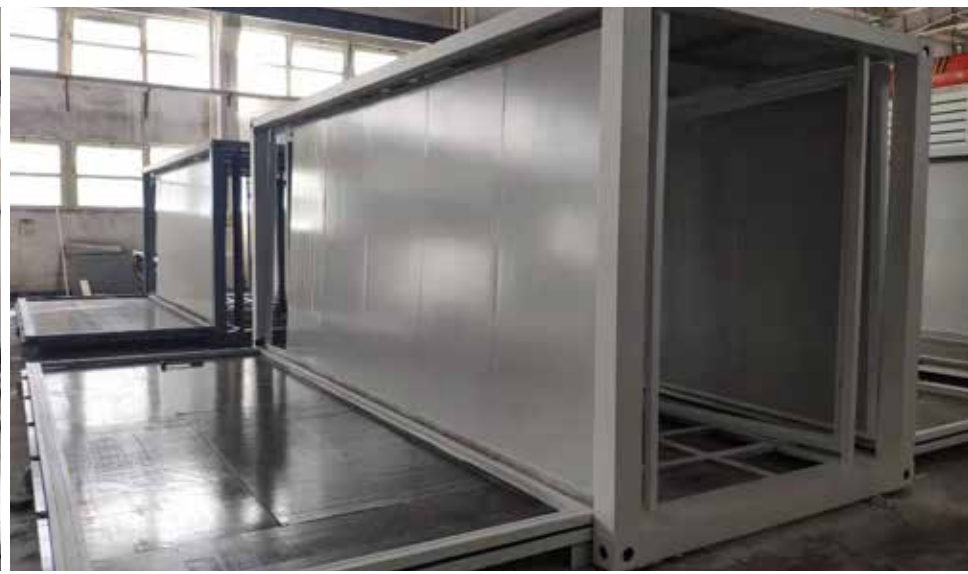
- Double glazed tempered glass sliding front door with lock and pull handle
- White aluminium window frame comes pre-installed and pre-fitted with windows
- Double glazed tempered glass windows with latch kit and window flyscreen
- Interior bedroom and bathroom doors with pre-fitted door locks and door handles

\* Minor design changes to standard inclusions may not be represented in the list below. Also excludes custom designs. Please contact your HTC sales representative for the latest information.





VIOLET 20ft Exterior Construction



VIOLET Series Standard Windows

# Standard Inclusions

VIOLET Series



## KITCHEN

The kitchen for VIOLET Series container units are included as standard, but require assembly as they are partially assembled for shipping. The characteristic L-shape kitchen offers plenty of benchtop space and additional room and electrical for a refrigerator and oven/cooktop.

- Premium L-shape floor-mounted kitchen cabinets in white with cupboards and drawers with kickplate and door handles included
- Wall-mounted kitchen cupboards for additional kitchen storage
- Easy-hang kitchen cabinet mounting points on kitchen wall
- Man-made stone benchtop with splashback trim for kitchen cabinets
- Pre-cut sink space, stainless steel two-compartment sink with kitchen mixer tap

## BATHROOM

VIOLET Series container units come standard with their bathroom almost complete pre-fitted. This means once water and power are connected to your unit, you have a fully functional bathroom ready to be used.

- Premium shower with mixer tap, bath tap, hand shower head and rainfall shower head
- Premium glass shower door with pre-fitted frame; shower window for ventilation and pull-down window screen; pre-fitted shower drain tray
- White ceramic toilet, pre-fitted and ready for connection
- Washer-basin with mixer tap designed to fit compact washing machine under basin
- Space and inlet/outlet for washing machine (fits 620 x 850 x 600mm)
- Deluxe mirror vanity cupboard, pre-fitted and ready for use (830 x 700 x 140mm)
- Grey marble pattern bathroom tiles



## VIOLET Series Kitchen

Wall and floor cabinets with stone countertop, kitchen sink and mixer tap, dedicated electrical for fridge and oven/stove



## VIOLET Series Bathroom

Fixed-door rainfall shower with drain tray, toilet, washer-basin to fit compact washing machine, and mirror cabinet - all standard and pre-installed



# Standard Inclusions

## VIOLET Series



### BEDROOMS

Bedroom size and quantity available with VIOLET Series container units is determined by the size of the container unit. Each bedroom comes standard with an interior door with lock and at least one window. Bedrooms are fitted on the east side of the container unit, but this can be rearranged as a customisation, depending on your site layout. Bedrooms are created by splitting the room by fitting a partition wall.

- 20ft (36m<sup>2</sup>) VIOLET - standard design features 2 bedrooms, one large, one small
- 30ft (54m<sup>2</sup>) VIOLET - standard design features 3 bedrooms, one large, two small
- 40ft (72m<sup>2</sup>) VIOLET - standard design features 3 bedrooms, three large

### ELECTRICAL

VIOLET Series container units come pre-wired and have power outlets pre-fitted. Light switches are installed and power is fitted in bedrooms, bathroom, kitchen and living area. There is also dedicated power for kitchen appliances, electric hot water and air conditioning. By virtue of the expandable design, all power stems from the centre section of each unit.

- Australian standards approved electrical cabling, power points, switches & power box
- Up to two power outlets in bedroom (two in larger rooms, one in smaller rooms)
- Dedicated kitchen power on benchtop and hidden in cupboards for appliances
- Bathroom power near the basin and for the washing machine underneath
- 50A rear input with included waterproof connector
- Round LED oyster for each room with pre-fitted light switches

### PLUMBING

Like electrical, inlet and outlet plumbing also comes pre-fitted in VIOLET Series container units. There are separate drain pipes for waste water and grey water. Also similar to electrical, plumbing and therefore water supply stems from the centre section of each unit.

- Plumbing fittings, taps, shower and other fixtures have WaterMark certification
- Plumbed hot / cold water inlets for connecting water supply and hot water system
- Grey water and waste water outlets at the rear of the container unit
- Interior plumbing pre-fitted for kitchen sink, bathroom basin, toilet & shower

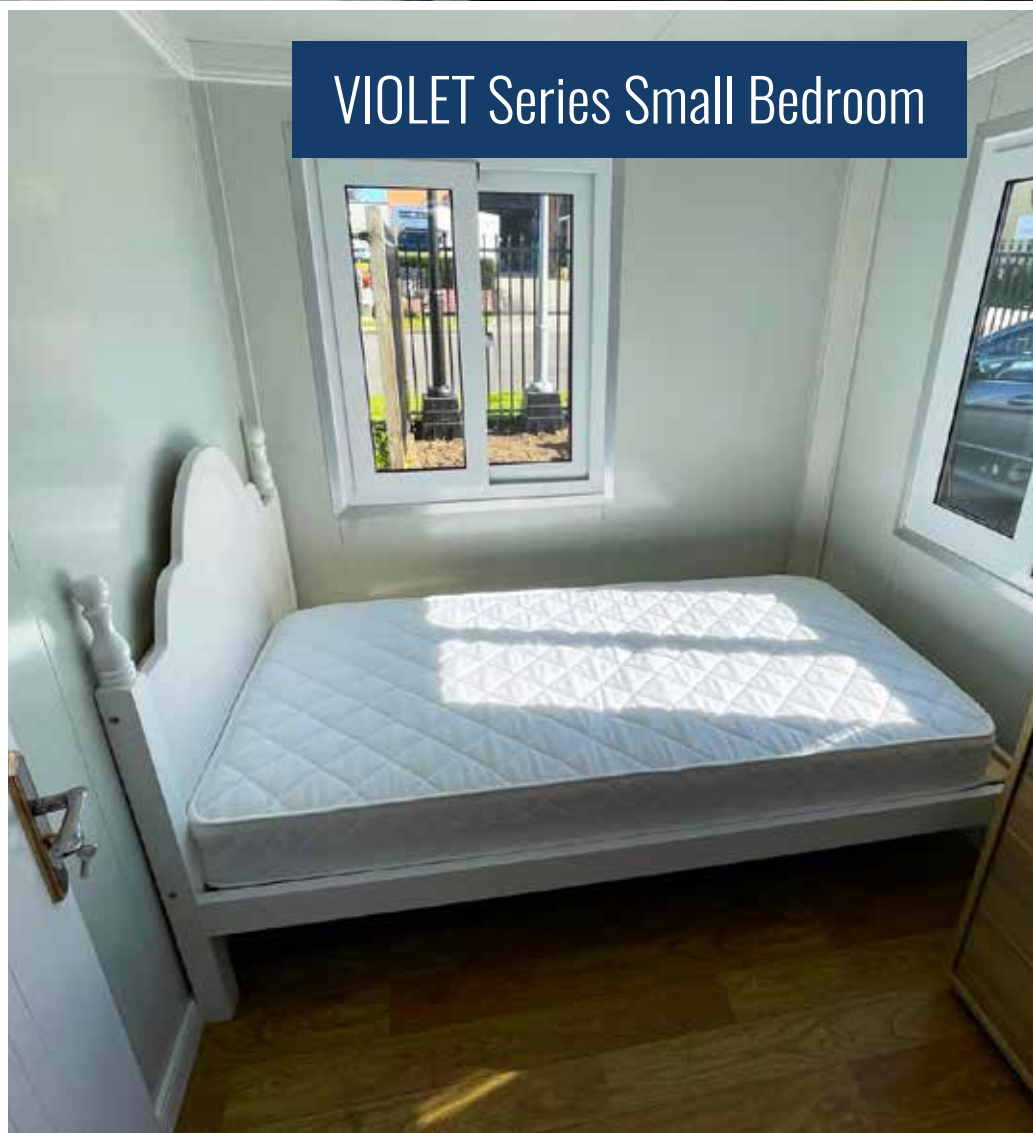


In our standard design, bedrooms are in the east section of the unit. The large bedroom sizes (detailed left page) fits a queen bed and the small bedroom fits a small single bed (shown below).

VIOLET Series Large Bedroom

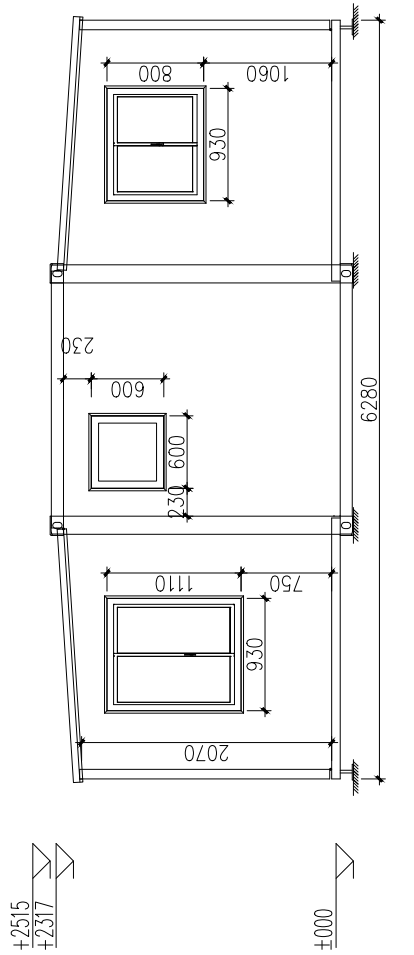
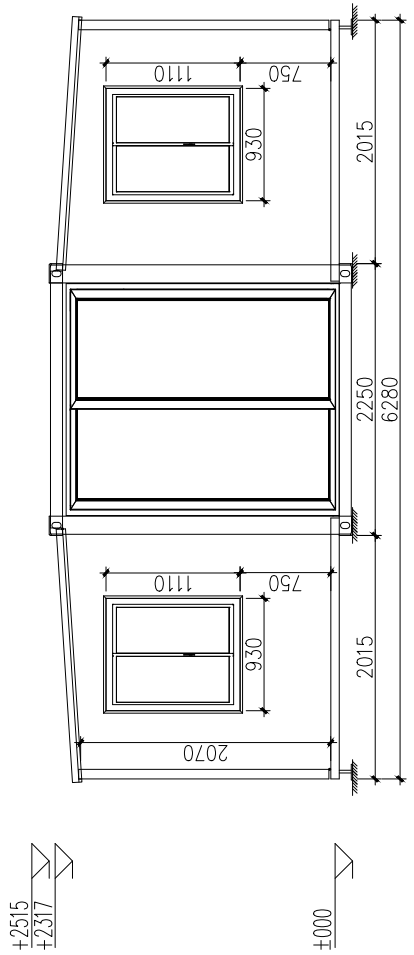
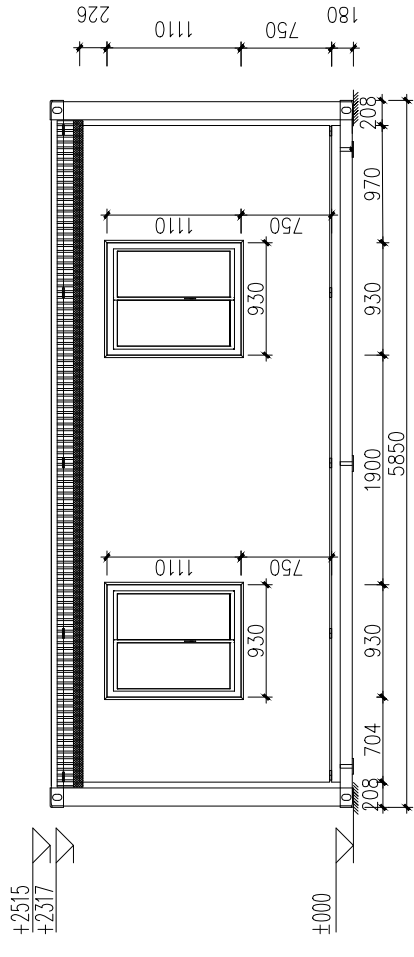
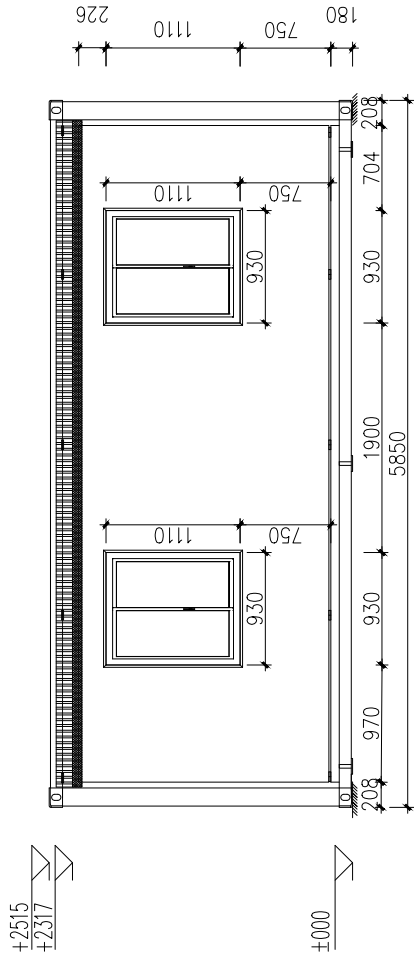


VIOLET Series Small Bedroom





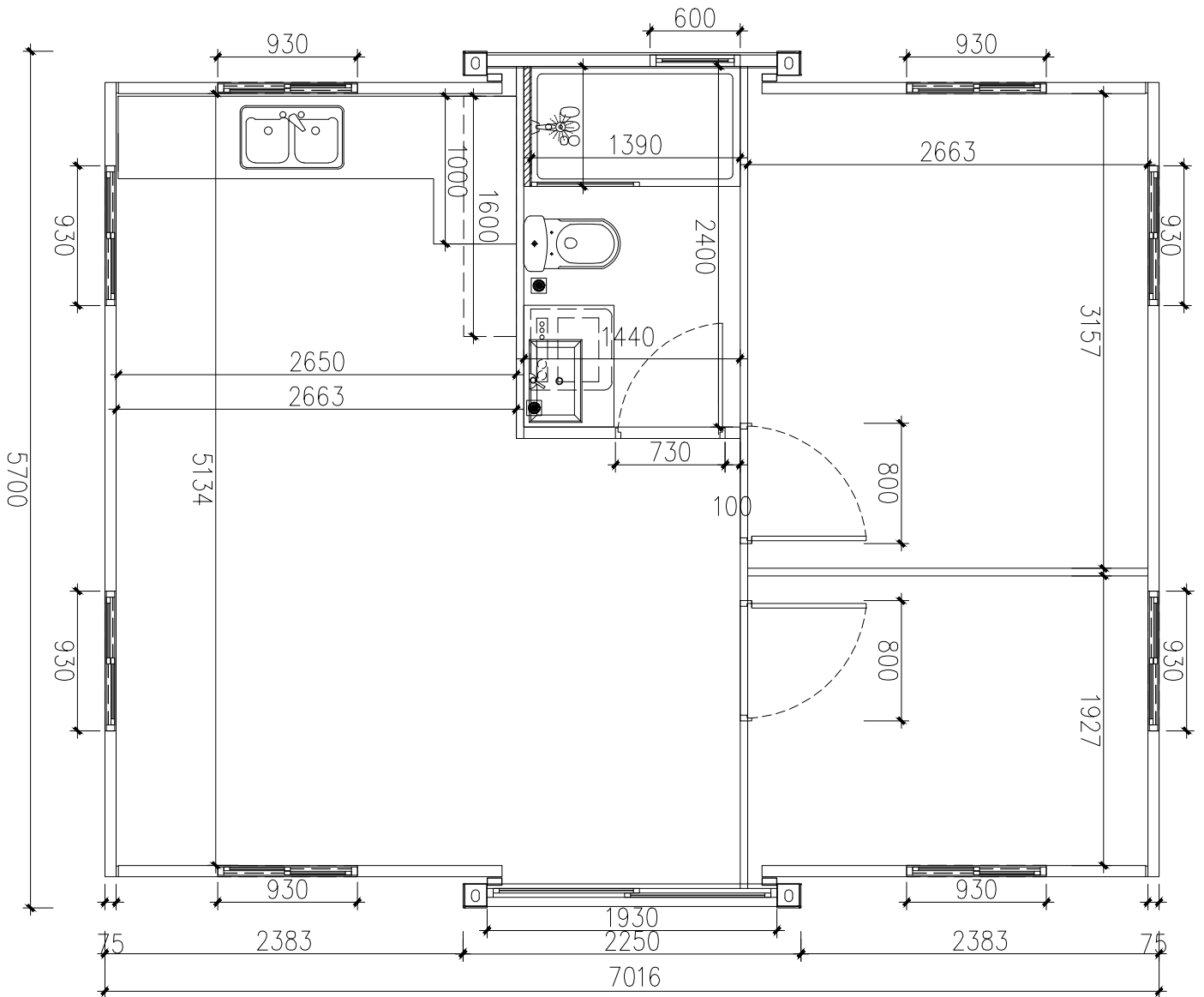




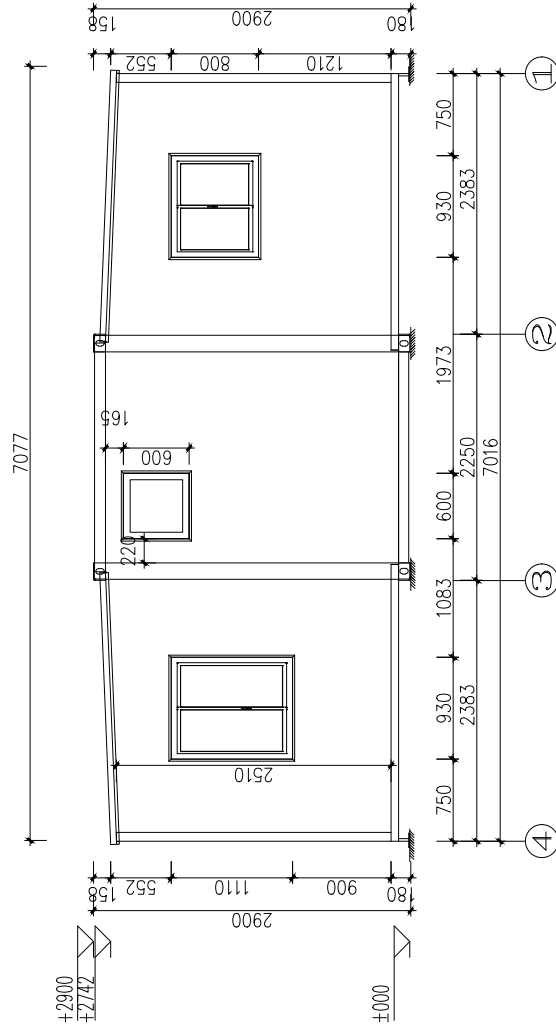
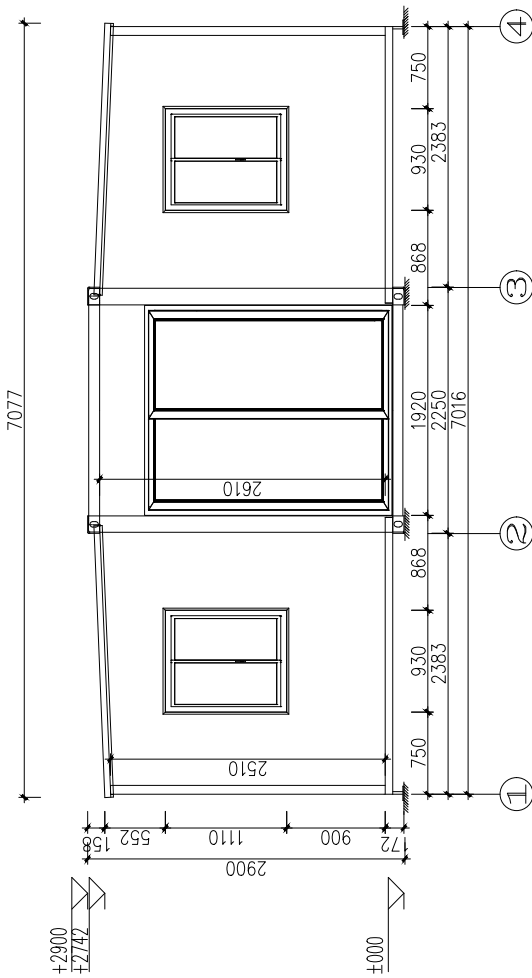
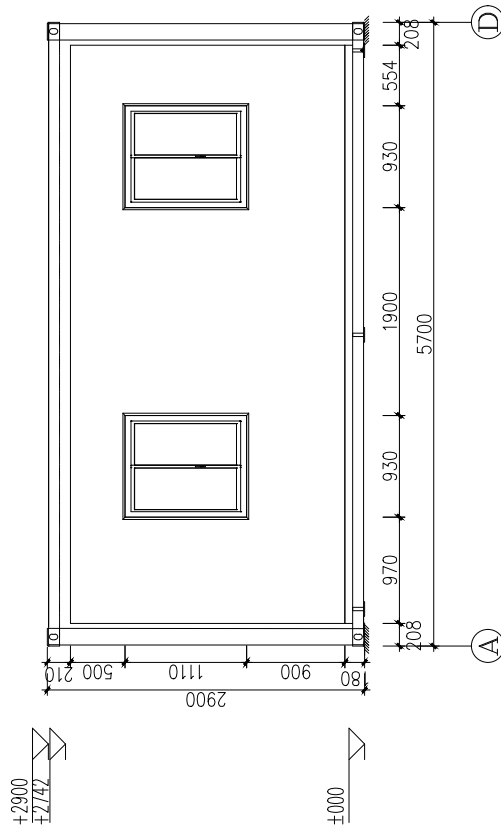
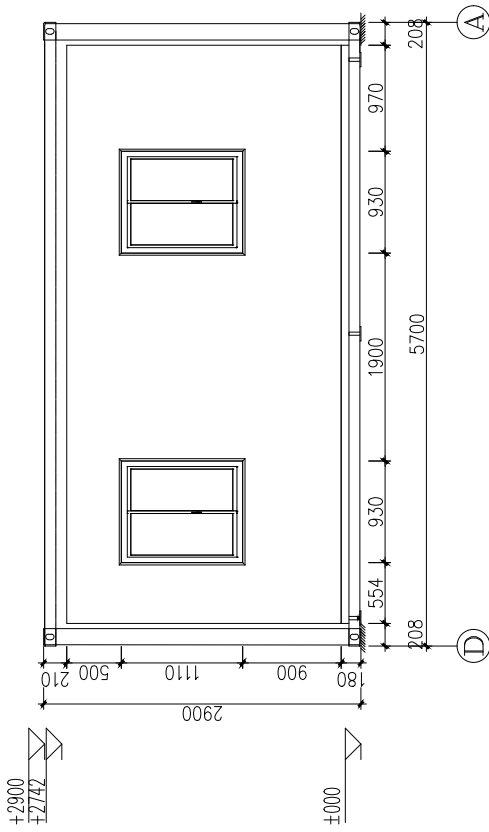
**EXTERIOR**  
VIOLET20 | STANDARD HEIGHT | 2 BED

# FLOOR PLAN

VIOLET20 | HIGH CEILING | 2 BED



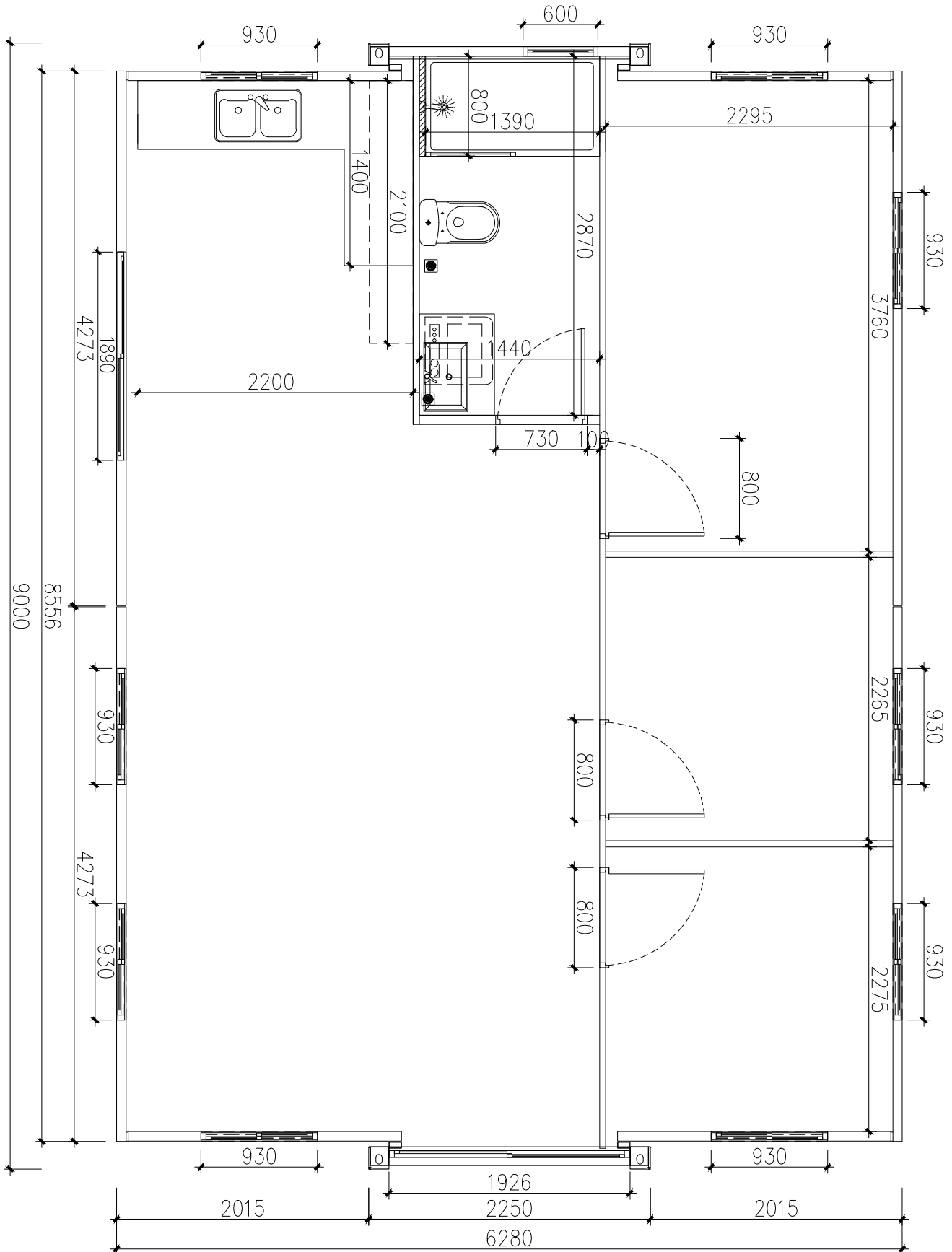




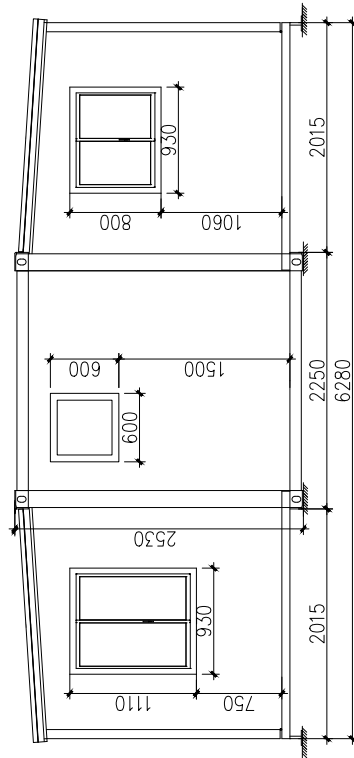
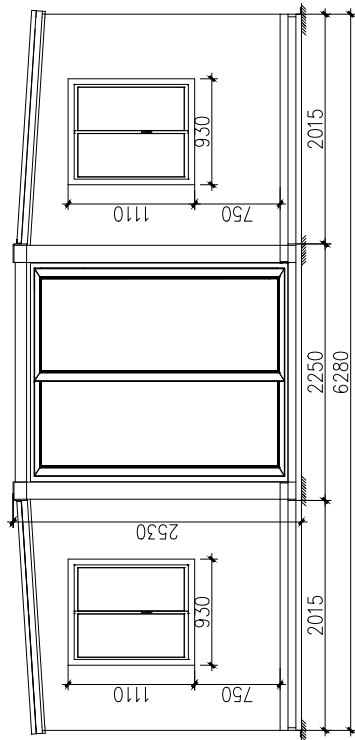
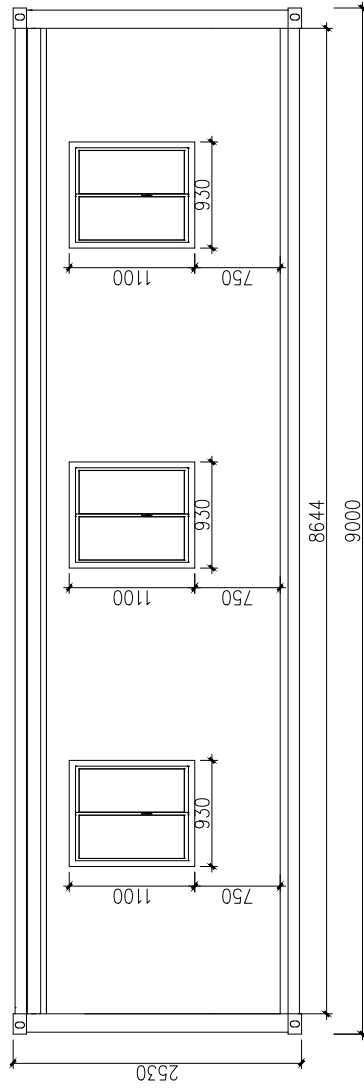
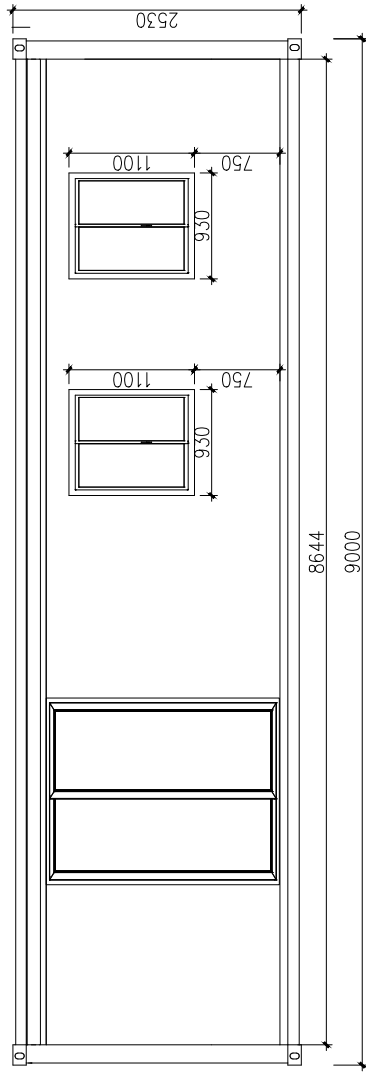
**EXTERIOR**  
**VIOLET20 | HIGH CEILING | 2 BED**

# FLOOR PLAN

VIOLET30 | STANDARD HEIGHT | 3 BED



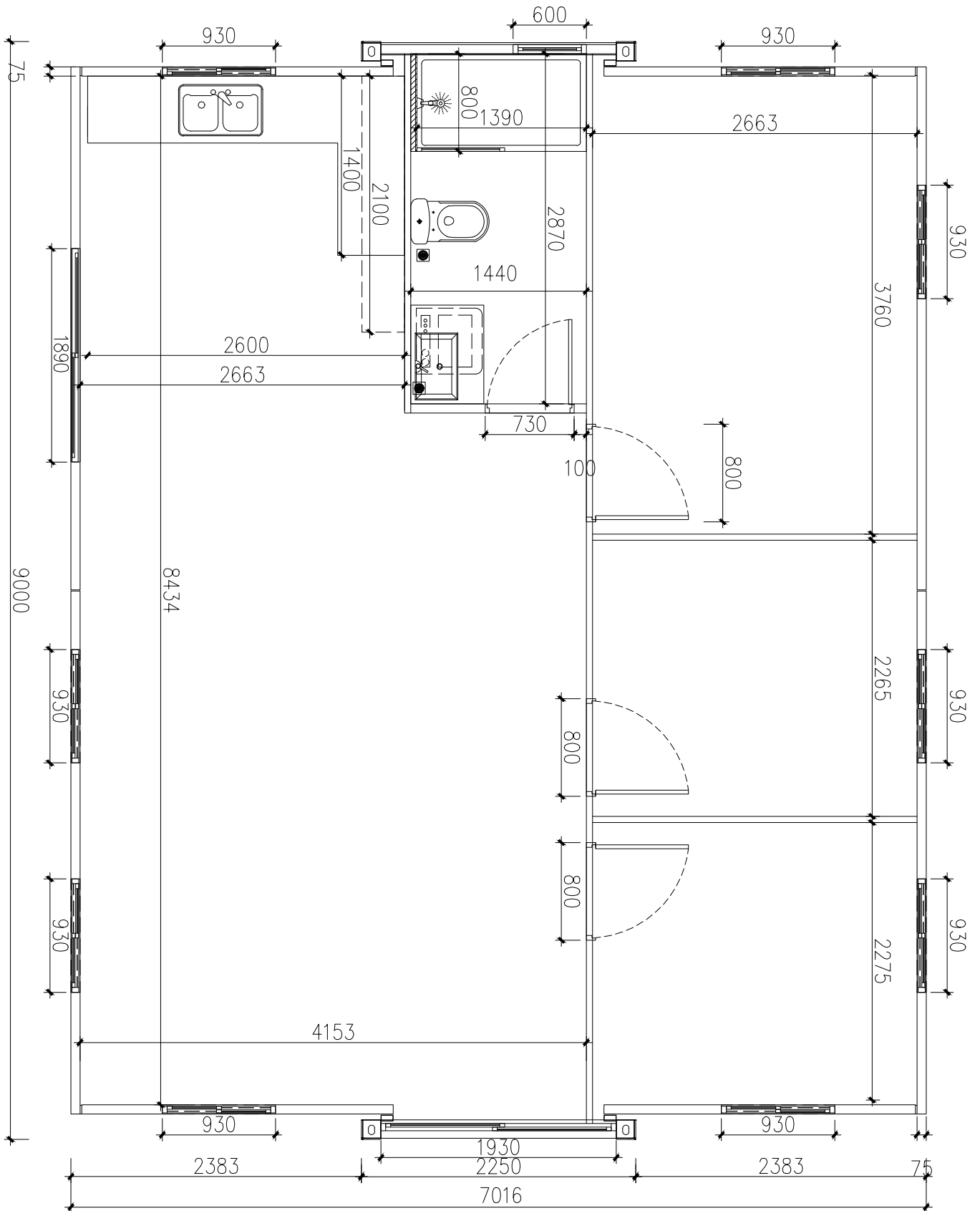




**EXTERIOR**  
**VIOLET30 | STANDARD HEIGHT | 3 BED**

# FLOOR PLAN

VIOLET30 | HIGH CEILING | 3 BED

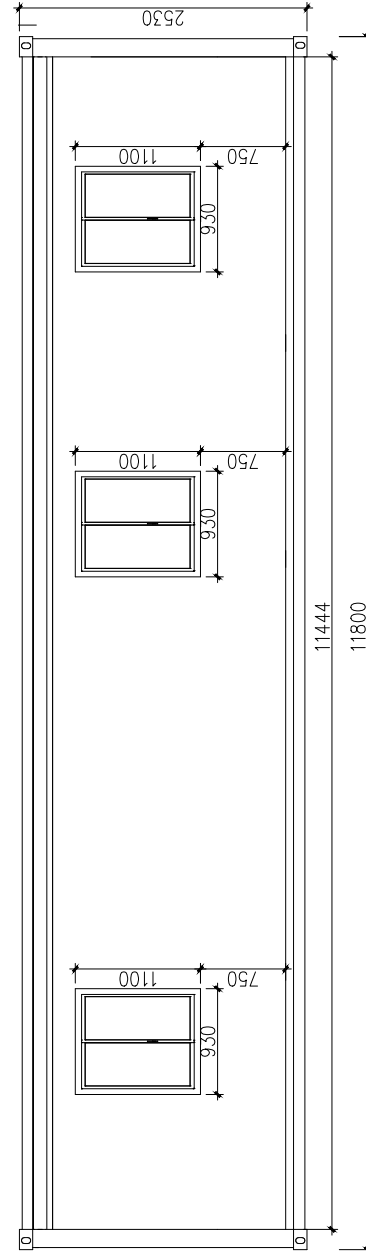
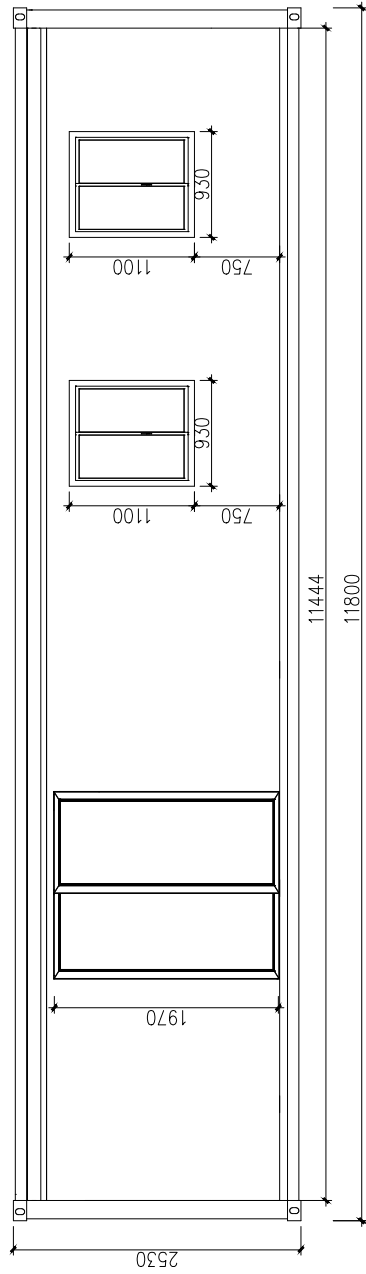
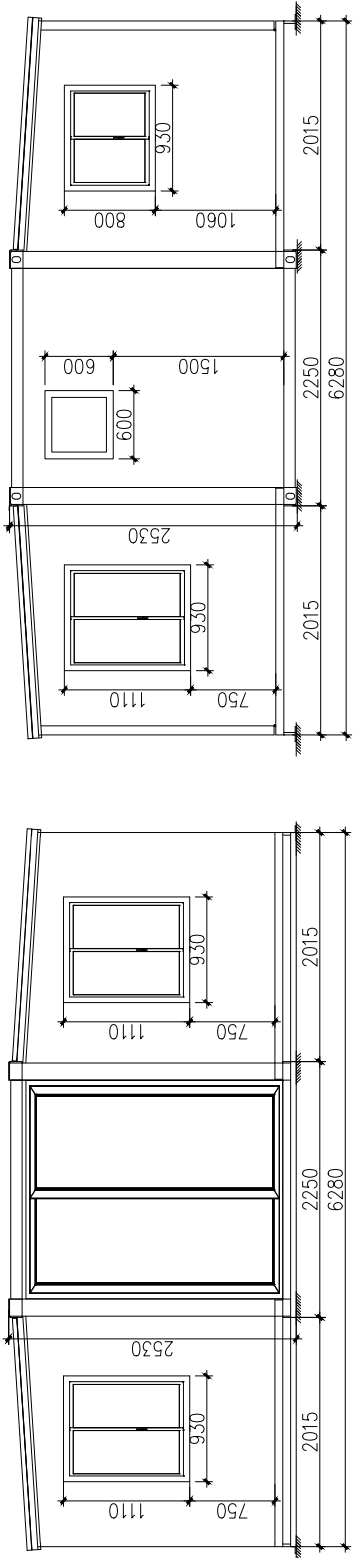








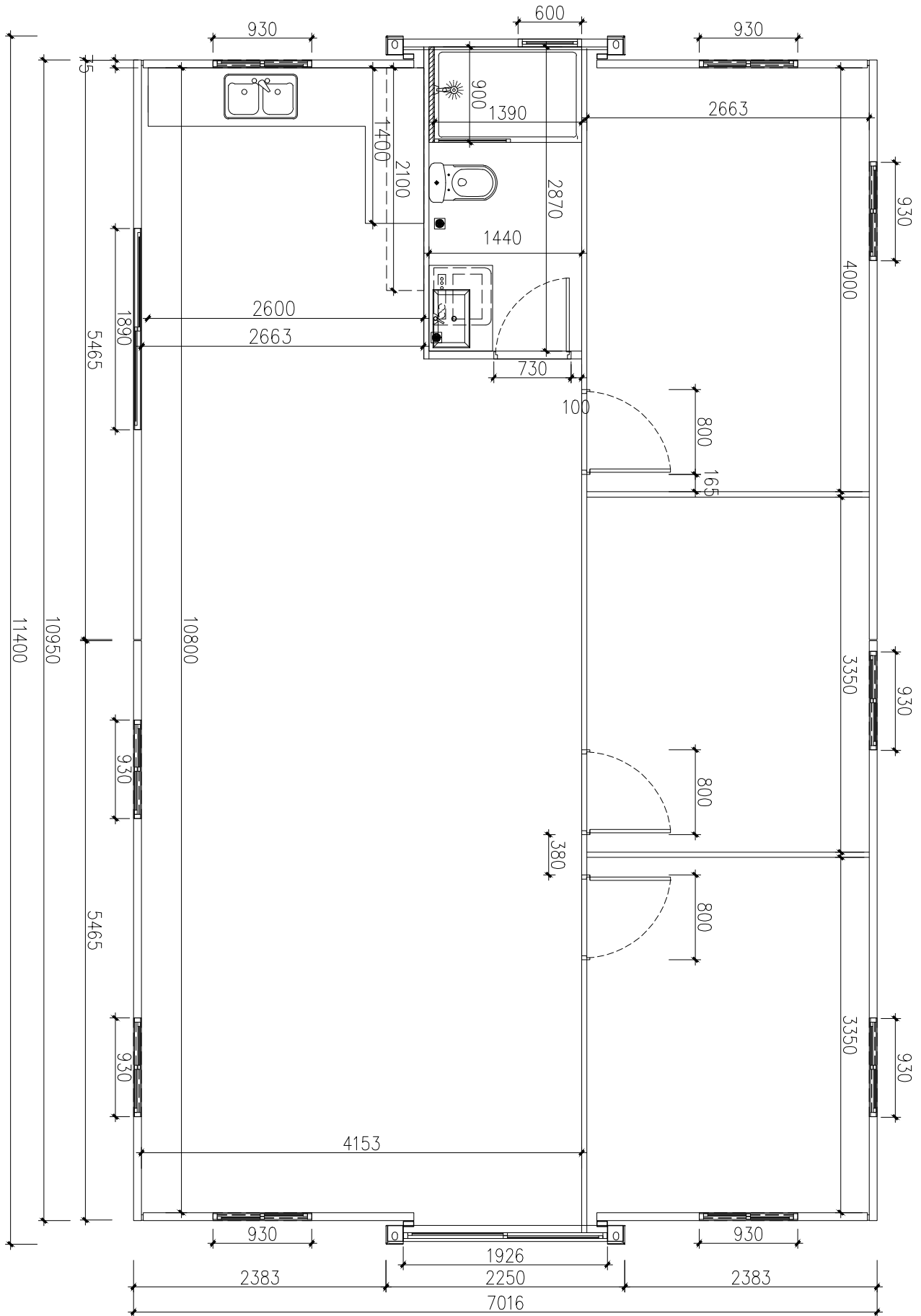


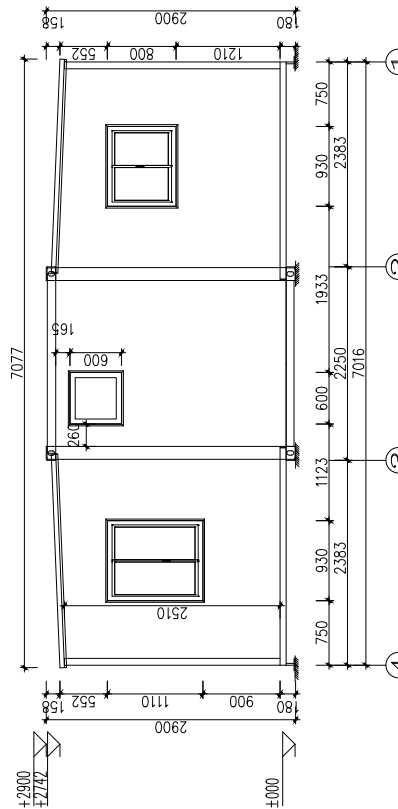
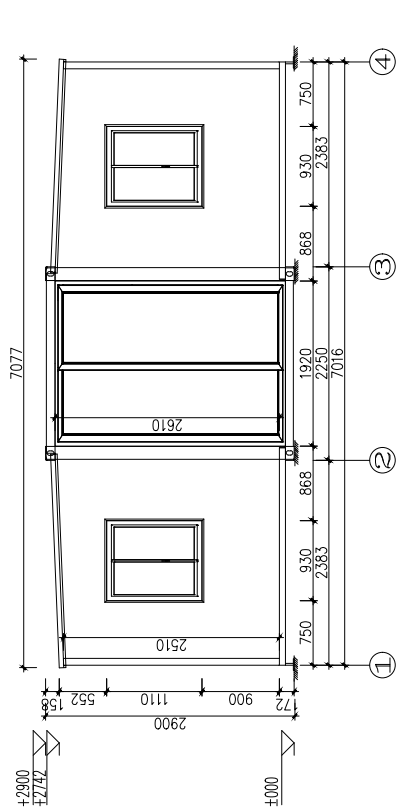
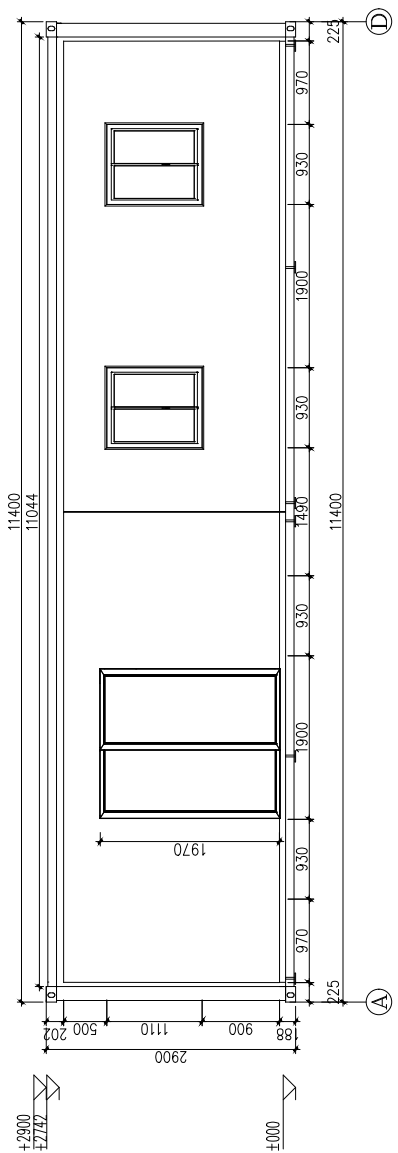
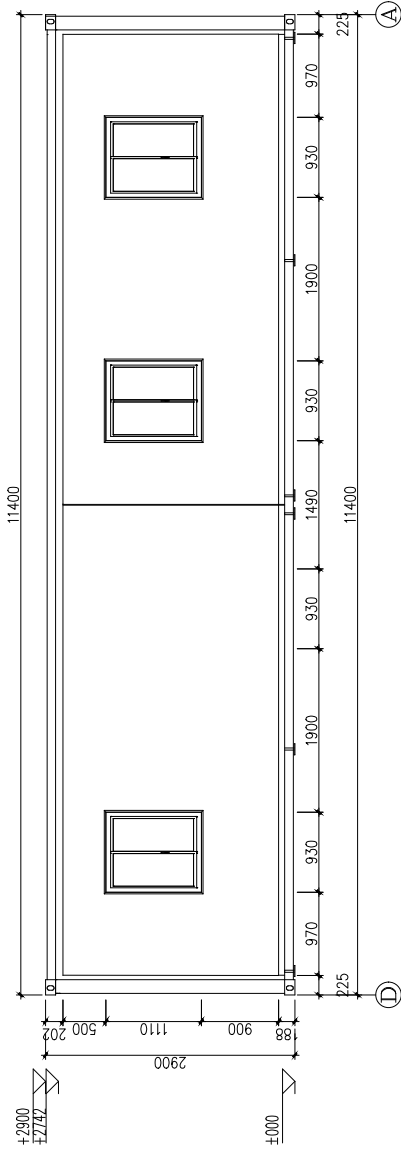


**EXTERIOR**  
VIOLET40 | STANDARD HEIGHT | 3 BED

# FLOOR PLAN

## VIOLET40 | HIGH CEILING | 3 BED





**EXTERIOR**  
**VIOLET40 | HIGH CEILING | 3 BED**

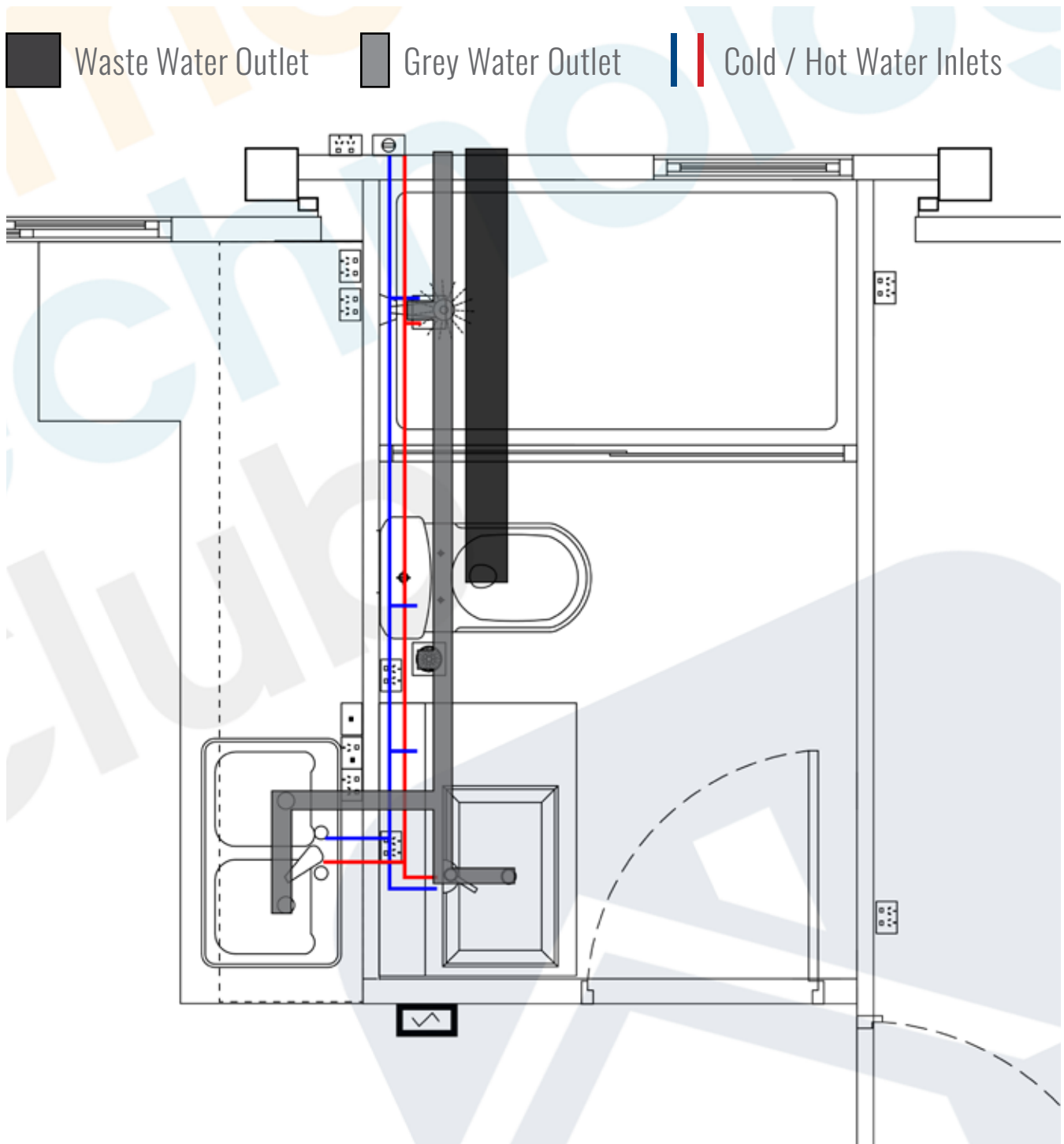


# Plumbing Details

## VIOLET Series



The plumbing layout shared by each unit in the VIOLET Series features separate waste water and grey water outlets. Hot and cold water inlets are pre-fitted and there is facility to connect cold water to the washing machine in the washer-basin. We recommend using a licensed plumber to connect to water supply, hot water system and sewage system.





# Roof & Patio Overview

VIOLET Series Roof and Patio



The roof and patio extension is an optional addition to your VIOLET20, VIOLET30, or VIOLET40 container unit and is delivered separately as a component kit.

The kit includes parts for the patio frame, patio supports, patio flooring, roof frame, roof panelling, flashing and trim, and all the necessary hardware + fasteners needed for installation.

Installation is required and **is to be performed by professionals**, and should be organised before delivery of your unit. We do not provide installation services but may be able to recommend an installer in your area.

**This document is not an installation guide for the roof and patio, its purpose is to give an overview on what is involved with the kit.**

**Extension kit is not included in the purchase of a unit, contact us for pricing. Additional freight charges may also apply.**

**\*Due to the number of components in the kit, we cannot prevent scratching of the materials. It is strongly recommended that you use a Dulux Epoxy Enamel Paint to coat the Roof & Patio.**



# Kit Components

## VIOLET Series Roof and Patio



The roof and patio extension kit that is delivered upon arrival of your VIOLET unit will include everything you need to successfully complete the installation, with the help of a professional installer. The following information provides a general list of parts that your roof and patio kit will include. (All measurements are in mm, L\*W\*H)

### **PARTS INCLUDED**

- A. 3x Patio floor frame sections (1x 2252\*1500\*50, 2x 2018\*1703\*50)
- B. 6x Patio upright column members (4x 2336\*70\*50, 4x 2682\*70\*50)
- C. 12x Patio roof frame members (4x 3178\*30\*30, 8x 1534\*30\*30)
- D. 4x Patio railing sections (2x 1750\*1534\*30, 2x 1750\*1812\*30)
- E. 3x Patio roof panels (3230\*960\*50)
- F. 35x Patio floor boards (3000\*140\*25)
- G. 4x Roof truss frame members (6360\*424\*100)
- H. 8x Roof purlin frame members (5530\*50\*100)
- I. 13x Roof sandwich panels (3230\*960\*50)
- J. 2x Roof middle gable covers (2290\*500\*50)
- K. 4x Roof side gable covers (2056\*421\*50)
- L. 4x Roof ridge covers (2200\*408\*2)
- M. 2x Roof inner ridge covers (1000\*300\*2)
- N. 14x Roof side covers (6x 2000\*250\*10, 8x 2000\*50\*2)
- O. 13x Roof panel end covers (1000\*50\*2)
- P. Hardware & brackets (Self tapping screws, rivets, floor screws, right angle brackets, flat brackets, frame connectors, floor buckles, bolts, feet for patio, weather strips)



### Septic Tanks

2500L

1500L

[Click here  
to find on  
website or  
scan here:](#)



### Hot Water Systems (Brands vary)

26L Continuous Flow LPG

20L Continuous Flow LPG

170L Heat Pump

280L Heat Pump

160L Electric Heater

250L Electric Heater

315L Electric Heater

[Click here  
to find on  
website or  
scan here:](#)



### Bushmans Water Tanks

1,000L Slimline Tank

3,000L Slimline Tank

5,000L Slimline Tank

10,000L Squat Tank

[Click here  
to find on  
website or  
scan here:](#)



### AVOL Solar Power

Genius 5kWh Solar Battery + Inverter

Genius 10kWh Solar Batteries + Inverter

Genius 15kWh Solar Batteries + Inverter

Genius 20kWh Solar Batteries + Inverter

3.5kW Solar Panels + Inverter

7kW Solar Panels + Inverter

3.5kW Panels + 5kWh Battery + Inverter Kit

7kW Panels + 10kWh Battery + Inverter Kit

7kW Panels + 15kWh Battery + Inverter Kit

7kW Panels + 20kWh Battery + Inverter Kit

[Click here  
to find on  
website or  
scan here:](#)



# Home Options

JULIET Series



## Lowara Water Pumps

700W Pump + Genyo Electronic Controller  
900W Pump + Genyo Electronic Controller  
1100W Pump + Genyo Electronic Controller

[Click here to find on website or scan here:](#)



## Gree Air Conditioning

2.5kW Reverse Cycle Split System + WiFi

[Click here to find on website or scan here:](#)



## Appliances (Brands vary)

8kg Heat Pump Dryer  
5kg Front Load Washing Machine  
600mm Gas Oven  
540mm Electric Oven  
600mm Rangehood  
240L Fridge and Freezer  
120L Bar Fridge

[Click here to find on website or scan here:](#)





# Installation Overview

## VIOLET Series



Installation of a VIOLET Series container unit requires a number of steps. Many key parts of the unit are complete out of the box and the expansion stage can be performed within 1~2 days. However, building footings, making the unit level, weather sealing, interior fitout and connecting to services can take additional time and requires professionals to be brought on board.

Home Technology Club currently does not include installation services for the VIOLET Series container units but we provide a full installation guide to assist with the expansion and fitout of your container unit.

Installation can be broken down into 4 main processes - site preparation, expansion and sealing, interior fitout and connection to facilities. You may consider hiring a professional to handle the entire installation process of your unit. We may be able to recommend installation professionals in NSW, dependent on your location.

## Installation and Connection Steps

---

1. Site preparation, footings construction; make level is very important for smooth install
2. Delivery and placement of VIOLET unit; remove interior & install components from inside
3. Expand each side of the container unit, raising the ceiling then lowering the floor/wall of east and west sections onto the footings (requires 4~5 people). Open up shorter north and south walls to enclose the unit on each side
4. Apply weather-sealing rubber tapes to ceiling, wall and floor connection points
5. Fasten roof and walls together with provided materials and fit partition walls for bedrooms
6. Finish interior edges; fit trim to skirting and cornices; fit floor trim and ceiling trim
7. Fitout kitchen interior using pre-built cabinets & wall cabinets, mount counter top, fit sink and silicon edges. Fit interior lighting, screw-in LED oyster lights
8. Connection to electrical, terminate main power input, air conditioning/hot water outlets; connection to plumbing; hot/cold water supply, grey water and waste/septic system

Units on following page are old models, shown for installation process demonstration only





# Footings Diagrams

VIOLET Series



To support the main centre section and expanded east/west sections of the unit, VIOLET Series container units are to be placed on footings or concrete piers. It is crucial that the site is level as it can affect the effectiveness of the weather sealing measures of the container unit.

The diagram on the opposite page details footing locations for both screw-in options and footings-only options. Below shows two types of 'footings-only' options, one with besser block arrange and another with house stumps on a concrete pier.

30ft/40ft and high ceiling model footings diagrams are available by request.



Concreted-in besser blocks and house stumps on concrete piers





We'll help organize transport to your site, wherever you're located in Australia. You can also choose to organize your own transportation for your container unit. Delivery to your site is not included in the base price of the unit and is arranged after your unit has arrived to our NSW warehouse or holding facilities.

## Shipping Within NSW

---

We are based in Western Sydney and are capable of organizing transport to anywhere in New South Wales via semi-trailer crane truck. Delivery can take 1~2 days depending on the third-party transport chosen and distance to the delivery site. Units are assembled at and delivered from our head production site in Mulgrave, NSW.

## Shipping Outside of NSW

---

We are capable of transporting all over Australia. However, since VIOLET units are imported from overseas, it may be more economical to ship from your nearest port.

There are additional costs and delivery time depending on the port chosen and special arrangements must be made for a bespoke shipment to your port. It is also crucial to know that VIOLET 20ft units must be shipped two at a time; they cannot be shipped as single units.

## Access To Your Site

---

VIOLET Series container units are heavy and so too are the heavy haulage vehicles that transport them. It is essential that there is sufficient access to the site and that any obstacles are known ahead of time to prevent increased transport costs and delays. Large vehicles will get bogged in loose or wet surfaces. Consider the following for your site and the vehicles that will be required to access your deployment location:

- Vehicle weight limit up to 10~25t
- Vehicle height access up to 4m
- Vehicle footprint up to 8m x 13m
- Access for franna crane if required
- Sealed road surface for heavy truck access
- Road width is suitable for large vehicles
- No obstructions; trees, powerlines, etc.
- Bad weather will postpone delivery

## What customisations are possible?

---

- Modifying window placement, bedroom door placement and adding an extra sliding glass door are common customisations. You can also remove the kitchen or bathroom if desired, or, add more bedroom (costs will vary to do so). Swapping bedroom and kitchen/living areas is also possible to suit your site layout
- Modifying electrical and plumbing is less flexible; all electrical and plumbing must stem from the centre section of the container unit

## What is the lead time?

---

- We have 20ft and 40ft units in our standard designs produced overseas that arrive in scheduled shipments to our NSW distribution centre and holding facilities across the country
- Depending on your location, we may be able to ship our standard design units immediately
- If not stock is available, or if you have a custom design, lead time can be 12~16 weeks from time of deposit, excluding shipment to your deployment site, weather permitting
- Our supplied options are also subject to availability and lead times vary

## Who will organise shipping to my site?

---

- HTC can arrange local delivery to your site via a third party shipping company. Our quotes are based upon best case scenario sites which means optimal site access & weather conditions
- Additional charges will be passed onto the customer in the event costs exceed the quote
- Customers may also organize their own transport and we will load-on your unit for you

**i**

For all other information, please visit our Information Hub featured on our website at [www.hometechclub.au](http://www.hometechclub.au), or scan the QR code shown right





Come and inspect one of our display homes today:

59 Mulgrave Road, Mulgrave NSW 2756

Home Technology Club

**P: (02) 4545 2599**

**M: 0400 843 365**

**E: [sales@hometechclub.au](mailto:sales@hometechclub.au)**

**[www.hometechclub.au](http://www.hometechclub.au)**

Home Technology Club (HTC)  
is a company of Cornick Pty Ltd.  
Copyright 2024, all rights reserved HTC.