

SPILL TRAYS • BUND FLOORING • DRUM AND IBC SPILL CONTAINMENT • TROLLEYS AND CARTS  
CABINETS • STORAGE CONTAINERS AND MUCH MORE





# contents

- Spill Trays 1-6
- Drum Funnels, Lids & Trays 7
- Bund Flooring 8-9
- Drum Spill Pallets 10-12
- Covered Drum Spill Pallets 13-14
- Hard Covered Drum Spill Pallets 15-16
- Pallet Converters 17
- Horizontal Drum Trolley, Bund & Dispensers 18-19
- Drum Dollies & Trolleys 20
- Rack Bunds 21-22
- IBC Spill Pallets 23-26
- Covered IBC Spill Pallets 27-28
- IBC Funnel With Lid 28
- Poly Cart & Poly Work Cart 29
- Poly Roll Holders 30
- Poly Dispensing & Work Stands 31-32
- Drum Overpack 32
- Cabinets 33-34
- Poly Maintenance Carts 35-36
- General Purpose Storage Containers 37-38
- Poly Storage Bins 39-40
- Universal Beam Protectors 41-42
- Impact Protectors 42
- Chemical Compatibility Guide 43
- Additional Information 44

## Extensive Manufacturing and Storage Facilities



5,200m<sup>2</sup> production, development, warehousing and office space.

## Rotational Moulded Products



A fabricated steel mould is filled with coloured polyethylene powder.



The mould is rotated in a specialised oven.



The powder transforms to liquid creating a plastic skin inside the mould.

The design and construction of the mould, the quantity, type and mix of powder, the temperature and exposure times are all crucial factors in creating a successful product. The finished product is durable, chemical resistant and fully recyclable.

## Storage Regulations

There are a growing number of strict environmental regulations and Codes of Practice covering the storage of industrial fluids such as oils, solvents and chemicals. Mandatory legislation comes with heavy penalties for any company found to be non-compliant. Our products are designed with UK, EC and Worldwide bunding regulations in mind so we can advise on the most suitable products for a fully compliant solution.

# SPILL TRAYS

Romold's practical spill tray range

Our Spill Tray range is the most comprehensive available. They are the ideal solution for catching spills in the work area and the storage and handling of smaller drums and containers.

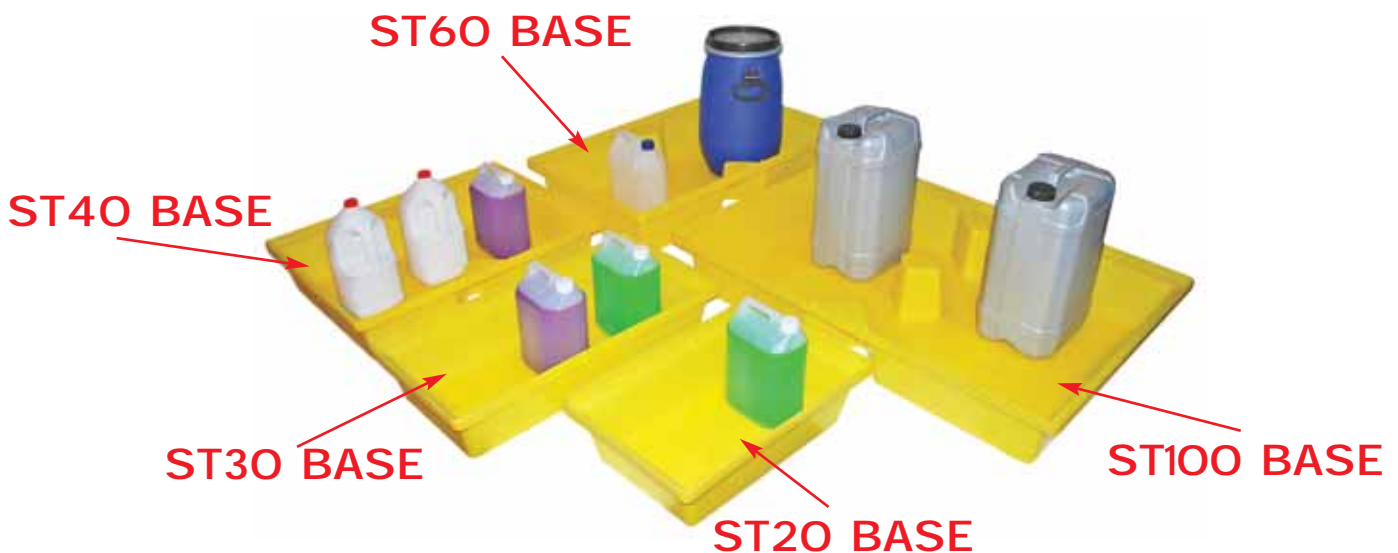
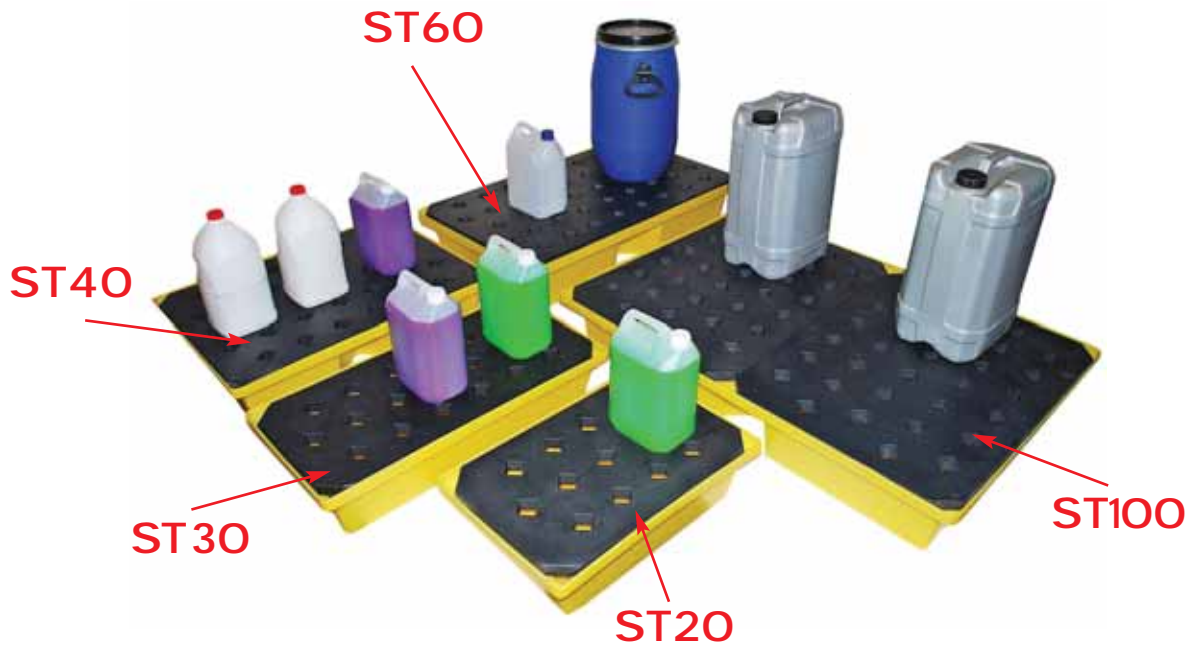
Spill Trays are compact and lightweight and can fit into small areas. Strong, easy to clean and compatible with most liquids.

With sump capacities up to 145ltr, available in a range of sizes our Spill Tray range provide a practical, simple and safe solution for small liquid storage, handling and spillage needs.

The ST range can be used and purchased with or without grids.

## Applications

- Container spill tray
- Liquid dispensing work area
- Laboratory tray
- Vehicle and equipment leak spill tray
- Machine part cleaning
- Solvent and ink storage
- Battery storage
- Chemical dosing point tray





# IDEAL FOR GENERAL "HOUSEKEEPING" AND SPILL CONTROL



## ST20

length 595mm width 395mm height 170mm  
weight 3.5kg sump 22ltr UDL 55kg



## ST20 BASE

length 595mm  
width 395mm  
height 170mm  
weight 2kg  
sump 22ltr  
UDL 55kg



## ST20 GRID

length 575mm  
width 375mm  
height 25mm  
weight 1.5kg  
sump n/a  
UDL 55kg



## ST30

length 805mm width 405mm height 170mm  
weight 4.5kg sump 31ltr UDL 55kg



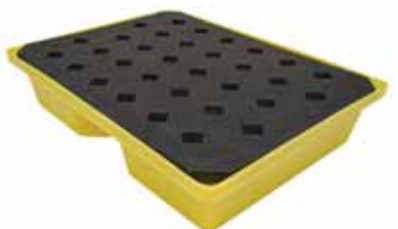
## ST30 BASE

length 805mm  
width 405mm  
height 170mm  
weight 2.5kg  
sump 31ltr  
UDL 55kg



## ST30 GRID

length 785mm  
width 375mm  
height 25mm  
weight 2kg  
sump n/a  
UDL 55kg



## ST40

length 800mm width 605mm height 170mm  
weight 7kg sump 43ltr UDL 105kg



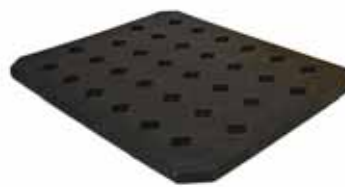
## ST40 BASE

length 800mm  
width 605mm  
height 170mm  
weight 4kg  
sump 43ltr  
UDL 105kg



## ST40 GRID

length 790mm  
width 585mm  
height 25mm  
weight 3kg  
sump n/a  
UDL 105kg





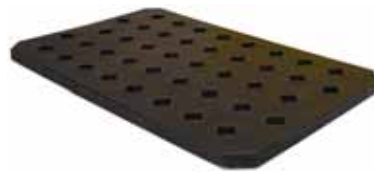
### ST60

length 1000mm  
width 605mm  
height 200mm  
weight 10kg  
sump 63ltr  
UDL 205kg



### ST60 BASE

length 1000mm  
width 605mm  
height 200mm  
weight 5.5kg  
sump 63ltr  
UDL 205kg



### ST60 GRID

length 985mm  
width 585mm  
height 35mm  
weight 4.5kg  
sump n/a  
UDL 205kg



### ST100

length 1195mm  
width 795mm  
height 185mm  
weight 14kg  
sump 104ltr  
UDL 205kg



### ST100 BASE

length 1195mm  
width 795mm  
height 185mm  
weight 8kg  
sump 104ltr  
UDL 205kg

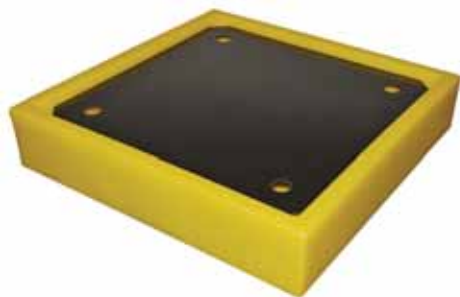


### ST100 GRID

length 790mm  
width 585mm  
height 25mm  
weight 3kg x 2  
sump n/a  
UDL 205kg

### BB25

length 550mm  
width 550mm  
height 110mm  
weight 5kg  
sump 27.5ltr  
UDL 50kg



▲ designed for 1 x 25ltr container

### BB50

length 715mm  
width 460mm  
height 110mm  
weight 5.5kg  
sump 27.5ltr  
UDL 50kg



▲ designed for 2 x 25ltr containers

### BB100

length 920mm  
width 720mm  
height 175mm  
weight 15kg  
sump 100ltr  
UDL 200kg



▲ designed for 4 x 25ltr containers

## IDEAL FOR GENERAL "HOUSEKEEPING" AND SPILL CONTROL



### GPT1

length 730mm  
width 730mm  
height 295mm  
weight 6kg  
sump 110ltr  
UDL 250kg



### GPT2

length 1290mm  
width 730mm  
height 295mm  
weight 10kg  
sump 230ltr  
UDL 600kg

### BT50

diameter 870mm  
height 190mm  
weight 5kg  
sump 50ltr



### TTS

length 630mm  
width 590mm  
height 170mm  
weight 3kg  
sump 45ltr



### TTL


length 1450mm  
width 840mm  
height 70mm  
weight 8kg  
sump 60ltr



### TTHD

length 1460mm  
width 960mm  
height 120mm  
weight 12kg  
sump 145ltr  
UDL 650kg



 Low profile, ideal for use under vehicles



# IDEAL FOR GENERAL "HOUSEKEEPING" AND SPILL CONTROL

## TTXS

length 598mm  
width 395mm  
height 50mm  
weight 2.5kg  
sump 8ltr



TTXS is grey, all other  
TT trays are black

## TTXM

length 574mm  
width 390mm  
height 53mm  
weight 0.9kg  
sump 10ltr



## TTXL

length 1200mm  
width 550mm  
height 50mm  
weight 2.6kg  
sump 30ltr



## TT9

length 790mm  
width 400mm  
height 50mm  
weight 1.2kg  
sump 9ltr



## TT28

length 645mm  
width 490mm  
height 120mm  
weight 1.3kg  
sump 28ltr



## TT64

length 800mm  
width 800mm  
height 120mm  
weight 2.6kg  
sump 64ltr



## TT65

length 1000mm  
width 550mm  
height 150mm  
weight 2kg  
sump 65ltr



## TT100

length 1000mm  
width 1000mm  
height 120mm  
weight 4kg  
sump 100ltr



# DRUM ACCESSORIES

## Romold's Drum Lids and Funnels

Our Drum Lids and Funnels provide simple ways to collect liquids, keep drum tops dry and help prevent spills.

They are manufactured from easy to clean polyethylene and are compatible for use with most liquids - see page 43 for further details.

Drum Lid



### DL1

diameter 650mm  
height 70mm  
weight 4kg



Drum Funnel with Lid

### DF1

diameter 610mm  
height 230mm  
weight 4kg

### DL2

diameter 630mm  
height 160mm  
weight 2kg



Made from the same flexible material as our Palcons ensuring a tight fit around the top of the drum

## BT75 DRUM WASH STATION

diameter 870mm  
height 240mm  
weight 5kg  
sump 50ltr



Shown with optional plug



### BT75PLUG

optional plug for use with BT75



# BUND FLOORING

Romold's complete spill flooring solution

Our Bund Floor range is the flexible decking solution for creating liquid handling workstations and storage areas to fit your working environment.

Available in 3 sizes each unit can be used as a standalone workstation or combined to create multiple workflow configurations.

Each individual unit is compliant with current oil storage regulatory requirements -

- BF2 for up to 4 x 100ltr drums
- BF4 and BF4S for up to 4 x 205ltr drums each.

The low height and a choice of two ramps enables easy access for loading and unloading. Optional joint strip covers can be added for a superior finish and optional bund connectors added to link sumps.

Applications

- Modular workflow area
- Liquid dispensing workstation
- "Quarantine area" for leaking containers
- Drum storage & handling area
- Machine part cleaning area
- Ink storage bund
- Oil storage bund
- Lubricant treatment area



## BFR

length 650mm  
width 800mm  
height 160mm  
weight 8kg  
UDL 1000kg



## BFR2

length 1740mm  
width 1000mm  
height 160mm  
weight 28kg  
UDL 1000kg



**BF2**

length 1260mm  
width 860mm  
height 150mm  
weight 20kg  
sump 130ltr  
UDL 1000kg



**BF4**

length 1660mm  
width 1260mm  
height 150mm  
weight 38kg  
sump 300ltr  
UDL 2000kg



**BF4S**

length 2610mm  
width 895mm  
height 150mm  
weight 42kg  
sump 300ltr  
UDL 2000kg



**BFC**

length 790mm  
diameter 400mm  
weight 0.6kg



**BFS2**

length 1260mm  
width 60mm  
width (wings) 135mm  
height 35mm  
weight 1.5kg



**BFS4**

length 1660mm  
width 60mm  
width (wings) 135mm  
height 35mm  
weight 2kg

Romold's banded drum storage solutions

# DRUM BUNDS

Our quality drum Bund Pallet range is designed for the safe and bund regulation compliant storage of 205ltr drums.

Available in 1, 2, 3, 4 and 8 drum versions. These robust units are made from 100% polyethylene with broadband chemical compatibility.

## Features

- Corrosion free
- Bund regulation compliant
- Easily cleaned
- Covered range for outdoors
- Removable plastic grids
- Compatible with most liquids

### BP1

length 900mm  
width 700mm  
height 525mm  
weight 22kg  
sump 225ltr  
UDL 300kg



▲ designed for 1 x 205ltr drum

### BP2

length 1220mm  
width 820mm  
height 330mm  
weight 23kg  
sump 240ltr  
UDL 650kg



▲ designed for 2 x 205ltr drums



11

### BP2FW

length 1220mm  
width 820mm  
height 345mm  
weight 27kg  
sump 230ltr  
UDL 1200kg



▲ heavy duty four way entry spill pallet designed for 2 x 205ltr drums

### BP3

length 1785mm  
width 780mm  
height 240mm  
weight 30kg  
sump 228ltr  
UDL 900kg



▲ designed for 3 x 205ltr drums

### BP4

length 1310mm  
width 1310mm  
height 370mm  
weight 40kg  
sump 410ltr  
UDL 1250kg



▲ ramp available, model BFR5 see page 16 for details



▲ designed for 4 x 205ltr drums, has additional sump capacity

### BP4L

length 1280mm  
width 1280mm  
height 275mm  
weight 29kg  
sump 230ltr  
UDL 1250kg



Low profile

▲ designed for 4 x 205ltr drums

### BFR3

length 1740mm  
width 1000mm  
height 275mm  
weight 33kg  
UDL 1000kg



◀ BFR3 for use with BP4L

### BP4FW

Heavy duty 4 way entry  
spill pallet 4 x 205ltr drums ▼

length 1220mm  
width 1220mm  
height 390mm  
weight 40kg  
sump 250ltr  
UDL 3000kg



### BFR4

length 1740mm  
width 1000mm  
height 390mm  
weight 36kg  
UDL 1000kg



◀ BFR4 for use with BP4FW

### BP8

length 2560mm  
width 1350mm  
height 510mm  
weight 116kg  
sump 1140ltr  
UDL 2500kg



▲ designed for 8 x 205ltr drums  
or 2 x 1000ltr IBC's

# COVERED DRUM BUNDS

Factory modified drum bunds with frame, roof & cover, requires simple assembly on site

designed for up to  
3 x 205ltr drums ▶



## BP3C

length 1785mm  
width 780mm  
height 1975mm  
weight 58kg  
sump 228ltr  
UDL 900kg

designed for up to  
4 x 205ltr drums ▶



Cover protects bund and  
drums from rainwater

## BP4C

length 1415mm  
width 1310mm  
height 1870mm  
weight 54kg  
sump 410ltr  
UDL 1250kg

designed for up to  
8 x 205ltr drums  
or 2 x 1000ltr IBC's ▶



## BP8C

length 2560mm  
width 1350mm  
height 2080mm  
weight 156kg  
sump 1140ltr  
UDL 2500kg



**BP3C** designed for up to 3 x 205ltr drums



shown without cover



ready to despatch

**BP4C** designed for up to 4 x 205ltr drums



shown without cover



ready to despatch

**BP8C** designed for up to 8 x 205ltr drums or 2 x 1000ltr IBC's



shown without cover



ready to despatch



# HARD COVERED DRUM BUND PALLETS

## Features & Applications

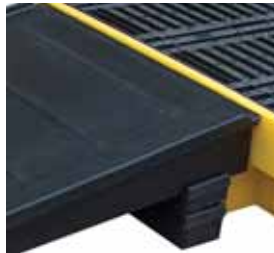
### Models BP2HC and BP4HC

- 100% recyclable polyethylene
- Hard covered banded store
- For 2 and 4 x 205ltr drums or smaller containers
- Lockable shutter door
- Integral base fork pockets
- Delivered fully assembled



### BP2HC

length 1490mm  
width 990mm  
height 1690mm  
weight 85kg  
sump 230ltr  
UDL 650kg



◀ BFR5 for use with BP2HC, see page 16 for details

The BP2HC range can be fitted with a padlock, not provided



### BP2HC

weight 85kg



### BP2HCS

weight 90kg  
supplied with three tier plastic shelving unit ▶

length 900mm  
width 400mm  
height 970mm  
UDL 50kg



### BP2HCH

weight 95kg  
supplied with steel horizontal drum cradle ▶

length 1210mm  
width 810mm  
height 470mm  
UDL 300kg

### BP4HC

length 1470mm  
width 1420mm  
height 2070mm  
weight 121kg  
sump 410ltr  
UDL 1250kg



The BP4HC is fitted with a lock, two keys provided



BFR5 for use ▶  
with BP4, BP2HC  
and BP4HC

### BFR5

length 1740mm  
width 1000mm  
height 370mm  
weight 38kg  
UDL 1000kg



▲ front open view

# PALLET CONVERTER



Turn a standard pallet into a banded pallet

Place the Palcon over an existing pallet and it is ready to use. The unique compressible front allows drums on a second pallet to be lowered into the Palcon by a forklift truck. When the forks are withdrawn the front returns to its normal height creating the bund.

Features

- Made from flexible plastomer
- Lightweight and easy to handle
- 2 drum and 4 drum versions
- Broadband chemical compatibility
- Compliant with UK Oil Storage Regulations
- Unique compressible front

## PALCON2

length 1500mm  
width 1100mm  
height 440mm  
weight 17kg  
sump 250ltr



Palcon2 must be used with 1200mm x 800mm wooden or plastic pallets

## PALCON4

length 1500mm  
width 1300mm  
height 440mm  
weight 19kg  
sump 310ltr



Palcon4 must be used with 1200mm x 1000mm wooden or plastic pallets

## Easy three stage operation





# DRUM DISPENSING & TRANSPORTATION

Ensure your drums are fully banded even when being transported.

Simple to use, one person operation.

Dispense without the worry of spills.



## BT230

length 1600mm  
width 740mm  
height 640mm  
weight 42kg  
sump 230ltr  
UDL 300kg







# HORIZONTAL DRUM BUNDING & STORAGE

## DBC

length 1240mm  
width 795mm  
height 370mm  
weight 13kg  
UDL 600kg

## DB4

length 1390mm  
width 1250mm  
height 490mm  
weight 50kg  
sump 400ltr  
UDL 1250kg



This versatile system maximises floor space by stacking up to 4 steel drums horizontally above a 400ltr sump. Dispense from any of the drums in the safe knowledge that any leaks or spills will be contained.

DBC is the cradle.

DB4 is the base unit.

## SBS

length 875mm  
width 765mm  
height 730mm  
weight 10kg  
colour black



# VERSATILE BUNDED DOLLIES & TROLLEYS

Versatile Bunded Dollies and Trolleys

The Poly Drum Dollies are a safe and robust solution for moving 205ltr drums. The PDDH includes a steel handle making it ideal for moving smaller containers, boxes and batteries.

The Bunded Trolley was designed to safely transport up to four 25ltr drums, but it has numerous other uses throughout the workplace.

## Features & Applications

- Made from sturdy 100% polyethylene
- Ideal for drums and smaller containers
- Lightweight and easy to handle
- Broadband chemical compatibility
- 4 castors for added stability - 2 lockable
- Sump base to contain spills

### BT100

length 1000mm  
width 700mm  
height 1000mm  
weight 15kg  
sump 100ltr  
UDL 100kg



### PDD

length 725mm  
width 725mm  
height 255mm  
weight 14kg  
sump 30ltr  
UDL 300kg



### PDDH

length 725mm  
width 725mm  
height 990mm  
weight 15.5kg  
sump 30ltr  
UDL 300kg



# RACK BUNDS

Turn standard racking into banded racking

Turn standard pallet racking into banded racking by using Rack Bunds from Romold.

Made from 100% polyethylene, the rack bund sits across the beams and the pallet of containers sits inside the rack bund.

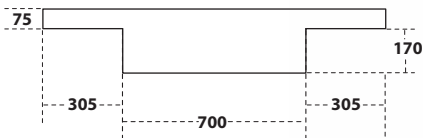
Simple to use and easy to install.

## Features

- Stop leaks damaging other products
- Use with existing racking
- Sits on cross beams
- Compliant with most bunding regulations
- Broadband chemical compatibility
- Segregate liquids

### RB1

length 1310mm  
width 1310mm  
height 245mm  
weight 17kg  
sump 220ltr



▲ simply sits across the beams, the pallet sits inside the bund

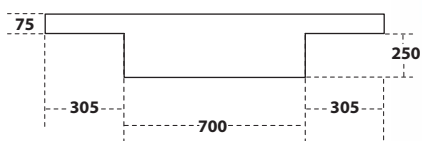


▲ with optional Grid Mesh RBGRID see page 22

UDL is dependent on rack rating

## RB2

length 2620mm  
width 1310mm  
height 325mm  
weight 30kg  
sump 620ltr



▲ simply sits across the beams, the pallet sits inside the bund

## RBGRID

length 1200mm  
width 1200mm  
height 60mm  
weight 14kg



▲ with optional Grid Mesh

UDL is dependent on rack rating



# IBC BUNDS

Romold's bundled IBC storage solutions

## Features

Our extensive IBC Spill Containment range is specifically designed to meet the growing IBC user market. Made from 100% corrosion free polyethylene, these sturdy units are UK, EC and Worldwide bunding regulation compliant. We produce single and double IBC units, dispensing and filling accessories.

- Corrosion resistant
- Suitable for most IBC footprints
- Integral base fork pockets
- Removable decking to assist cleaning
- Robust 100% polyethylene construction

Single IBC Bund Pallets models BB1, BB1D and BB3  
Decanting/Overflowing Tray model BB1T

### BB1

length 1760mm  
width 1350mm  
height 710mm  
weight 91kg  
sump 1100ltr  
UDL 1500kg



▲ suitable for 1 x 1000ltr IBC

### BB1T

length 525mm  
width 545mm  
height 835mm  
weight 8.5kg  
capacity 86ltr

overflow tray for ►  
use with BB1 &  
BB1C, liquid overflows  
into main sump



### BB1FW

length 1230mm  
width 1230mm  
height 1090mm  
weight 62kg  
sump 1150ltr  
UDL 3000kg

Single IBC bund pallet with  
four way base entry and  
removable grid mesh



▲ suitable for 1 x 1000ltr IBC

### BB1D

length 2065mm  
width 1445mm  
height 705mm  
weight 79kg  
sump 1100ltr  
UDL 1500kg



Single IBC secondary  
containment solution with  
integral dispensing area



### BB3

length 1590mm  
width 1455mm  
height 715mm  
weight 77kg  
sump 1125ltr  
UDL 1500kg



# DOUBLE IBC BUNDS & OPTIONAL OVERFLOW TRAYS

## Features & Applications

- For 2 x 1000ltr IBCs or 2 x 1200mm x 1100mm pallets
- Made from polyethylene
- BB2 is fitted with grids
- BB4 has integral upstand supports
- Base fork pockets

Double IBC Bund Pallets models BB2 and BB4  
Decanting/Overflow Trays models BB2T and BB4T

### BB2

length 2560mm  
width 1350mm  
height 510mm  
weight 116kg  
sump 1140ltr  
UDL 2500kg



▲ double IBC secondary containment solution - can also take up to 8 x 205ltr drums



### BB2T

length 530mm  
width 520mm  
height 530mm  
weight 4kg  
capacity 86ltr



▲ shown with optional BB2T overflow tray

## BB4

length 2340mm  
width 1360mm  
height 520mm  
weight 66kg  
sump 1150ltr  
UDL 2800kg



▲ BB4 without optional BB4Ts

## BB4T

length 530mm  
width 520mm  
height 530mm  
weight 4kg  
capacity 86ltr



▲ shown with 2 x optional BB4T overflow trays



# COVERED IBC BUNDS & OPTIONAL OVERFLOW TRAY

Covered models are supplied flat pack for customer assembly

## BB1C

length 1760mm  
width 1350mm  
height 2410mm  
weight 119kg  
sump 1100ltr  
UDL 1500kg



shown with optional  
BB1T overflow tray, see page 23 for details

single IBC covered bunds complete with frame, roof and cover with either roll up (BB1C) or roller shutter door (BB1CR)



## BB1CR

length 1760mm  
width 1350mm  
height 2410mm  
weight 130kg  
sump 1100ltr  
UDL 1500kg



COVERED IBC BUND WITH LOCKABLE ROLLER DOOR, SUPPLIED WITH TWO KEYS

### BB2C

length 2560mm  
width 1350mm  
height 2210mm  
weight 166kg  
sump 1140ltr  
UDL 2500kg

double IBC secondary  
containment system  
complete with frame,  
roof panels and cover



Cover protects  
bund and IBC's  
from rain water

shown with optional  
BB2T overflow tray,  
see page 25 for details



▲ BB2C shown packed prior to despatch



▲ BB2C shown once assembled on site

### DF200

diameter 640mm  
height 150mm  
weight 4kg



▲ IBC funnel with lid and integral  
debris strainer

# POLY CART AND POLY WORK CART

Flexible solutions with Romold's carts

The Poly Cart provides a simple, fast and effective solution for cleaning up spills in the workplace or treating snow and ice on pavements and car parks.

The Poly Work Cart is a robust mobile workstation suitable for general maintenance and repair applications across all sectors.

## Features & Applications

- Made from 100% polyethylene
- For indoor and outdoor use
- Lightweight and easy to manoeuvre
- Versatile carts with numerous uses
- Broadband chemical compatibility

### PC

length 1360mm  
width 710mm  
height 965mm  
weight 38kg  
capacity 60ltr



### PWC4

length 640mm  
width 725mm  
height 1075mm  
weight 27kg  
sump 45ltr



Lockable front wheels

- Front hopper for sorbent granules, salt or grit - fitted with a lid
- Rear waste bag holder with lid
- A must have housekeeping cart
- Broom and shovel not provided

- Top external tray with central divide
- Fitted with a removable tray and a lockable door
- A must have maintenance cart
- Contents shown not provided

# POLY ROLL HOLDERS

Worktop  
dispensing units

The Poly Drum Holders are a flexible and robust range of roll dispensers that accept standard absorbent and paper rolls.

Ideal for environments where spills are likely and a fast cleanup is essential. Suitable for janitorial, engineering and general maintenance applications across all sectors.

The Poly Roll Holder can be placed on a worktop or on top of the Poly Work Cart to create a mobile spill station and maintenance cart.

## Features

- Standalone unit or fits on our Poly Work Cart
- Accepts all standard roll sizes
- Lightweight and easy to clean
- Maintain a clean work environment



◀ **PRHS**  
 length 640mm  
 width 560mm  
 height 570mm  
 weight 8kg  
 max roll 430mm diam.  
 500mm wide



**PRHL**  
 length 640mm  
 width 625mm  
 height 580mm  
 weight 10kg  
 max roll 480mm diam.  
 520mm wide

◀ All roll holders  
 fit on top of the  
 Poly Work Cart



◀ **PRHXL**  
 length 640mm  
 width 635mm  
 height 615mm  
 weight 11kg  
 max roll 550mm diam.  
 520mm wide





# POLY DISPENSING & WORK STANDS

## Features & Applications

Dispensing Stands models PDS (open fronted) & PDSD (with lockable door). Work Stands models PWS (open fronted) & PWSD (with lockable door)

- PDS & PDSD designed for absorbent dispensing
- Galvanised steel tube roll holder
- Made from 100% polyethylene
- PWS & PWSD designed for workstation applications
- Removable internal tray
- Tough, rigid construction



▲ PDS - open fronted

### PDS

length 640mm  
width 580mm  
height 1180mm  
weight 20kg  
sump 48ltr



▲ PDSD - has a lockable door



▲ PDSD - inside view

### PDSD

length 640mm  
width 580mm  
height 1180mm  
weight 24kg  
sump 48ltr

### PWS

length 640mm  
width 580mm  
height 980mm  
weight 20kg  
sump 48ltr



▲ PWS - open fronted



▲ PWS - has a lockable door

### PWSD

length 640mm  
width 580mm  
height 980mm  
weight 23kg  
sump 48ltr



▲ PWSD - with removable tray in place

## Features & Applications

## DRUM OVERPACK

- Use to store & transport damaged drums
- Resistant to a whole range of chemicals
- Also use to store spill kits etc
- Lid fitted with neoprene seal
- Available in Yellow and Orange



### OPI

diameter 830mm  
height 1020mm  
weight 22kg  
capacity 340ltr



# CABINETS

Polyethylene storage cabinets

A wide range of polyethylene cabinets all with lockable doors and built-in sumps.

Suitable for a wide variety of storage applications.

Cabinets available in different solid colours.

PSC1, PSC2, PSC4 and PSC5 are fitted with removable shelves.



## PSC1

length 534mm  
width 420mm  
height 990mm  
weight 15kg  
sump 30ltr



## PSC2

length 650mm  
width 570mm  
height 1650mm  
weight 44kg  
sump 70ltr





### PSC3

length 740mm  
width 920mm  
height 1835mm  
weight 50kg  
sump 225ltr

Secure  
storage with  
integral sump



### PSC4

length 740mm  
width 920mm  
height 1835mm  
weight 60kg  
sump 225ltr



### PSC5

length 740mm  
width 920mm  
height 1520mm  
weight 55kg  
sump 100ltr



# POLY MAINTENANCE CART

Romold's mobile maintenance station

The Poly Maintenance Cart is a flexible and robust maintenance unit suitable for general maintenance and spill management applications across all sectors.

The body of the unit has secure internal storage for drums and containers whilst on top is a roll holder and hinged lid. The roll holder is suitable for absorbent rolls, general paper rolls or wipes.

## Features

- Made from polyethylene
- Upper storage level suitable for 5ltr cans or absorbent pads
- Easy loading top roll holder
- Lightweight and manoeuvrable
- Lower storage level suitable for 20 to 25ltr plastic drums or absorbent socks
- Lockable door



### PMCS4

length 640mm  
width 725mm  
height 1520mm  
weight 36kg  
sump 45ltr  
max roll 430mm diam.  
500mm wide





### PMCL4

length 650mm  
width 725mm  
height 1520mm  
weight 37kg  
sump 45ltr  
max roll 480mm diam.  
520mm wide



Lightweight  
and easy to  
handle

Lockable front wheels



### PMCXL4

length 650mm  
width 725mm  
height 1550mm  
weight 37kg  
sump 45ltr  
max roll 550mm diam.  
520mm wide



# GENERAL PURPOSE STORAGE CONTAINERS

## Features & Applications

Models GPSC1, GPSC1W, GPSC2 and GPSC2W

- Made from 100% recyclable polyethylene
- Tough, rigid construction
- For quantity orders lid hinges, locks and wheels require fitting on delivery. Fixings are provided, holes are pre-drilled
- Wide range of storage applications including spill kits, batteries etc
- Stackable for quantity shipping; lids are placed in top unit, components are placed within the stack

### GPSC1

length 1150mm  
width 1130mm  
height 850mm  
weight 32kg  
capacity 600ltr  
UDL 1000kg



### GPSC1W (with wheels)

height 920mm  
weight 43kg  
UDL 300kg  
For lightweight storage applications only



### GPSC1LH

The GPSC1 & GPSC1W come with a loose lid as standard. If a lockable hinged lid, as shown above, is required please also order a GPSC1LH. This kit contains a lock and a pair of hinges, all holes will be drilled and fixings provided.

## GPSC2

length 875mm  
width 875mm  
height 880mm  
weight 22kg  
capacity 250ltr  
UDL 300kg



▲ GPSC2 on forks



Internal views of GPSC2



## GPSC2W (with wheels)

height 1010mm  
weight 25kg  
UDL 150kg  
For lightweight storage  
applications only



## GPSC2L

The GPSC2 comes with a hinged lid as standard. If a lockable hinged lid is required please also order a GPSC2L. This kit contains a lock, it will be fitted and two keys are provided.



# POLY STORAGE BINS

Multi use storage bins

Large capacity Poly Storage Bins for both indoor and outdoor use. Robust polyethylene construction with integral base fork pockets make them easy to move and clean. These bins are ideal for lightweight storage applications and come with a loose lid as standard.



PSB's shown with optional lock, lifting knob & hinge kit, see page 40 for details

PSB3

PSB2

PSB1



PSB1

length 1265mm  
width 855mm  
height 910mm  
weight 26kg  
capacity 350ltr  
UDL 300kg



PSB1W

height 950mm, weight 40kg  
not water tight



**PSB2**

length 1460mm  
width 1010mm  
height 975mm  
weight 35kg  
capacity 1000ltr  
UDL 300kg



**PSB2W** height 1015mm, weight 40kg  
water tight



**PSB3**

length 1630mm  
width 1170mm  
height 1125mm  
weight 47kg  
capacity 1400ltr  
UDL 300kg



**PSB3W** height 1165mm, weight 52kg  
water tight

**PSB1LH, PSB2LH & PSB3LH**

The PSB1, PSB1W, PSB2, PSB2W, PSB3 & PSB3W come with a loose lid as standard. If a lockable, hinged lid is required please also order either a PSB1LH, PSB2LH or PSB3LH. These kits contain a lock, a lifting knob (PSB1 and PSB2) and a pair of hinges. All holes will be drilled and fixings provided.

# UNIVERSAL BEAM PROTECTORS

Protect your building columns

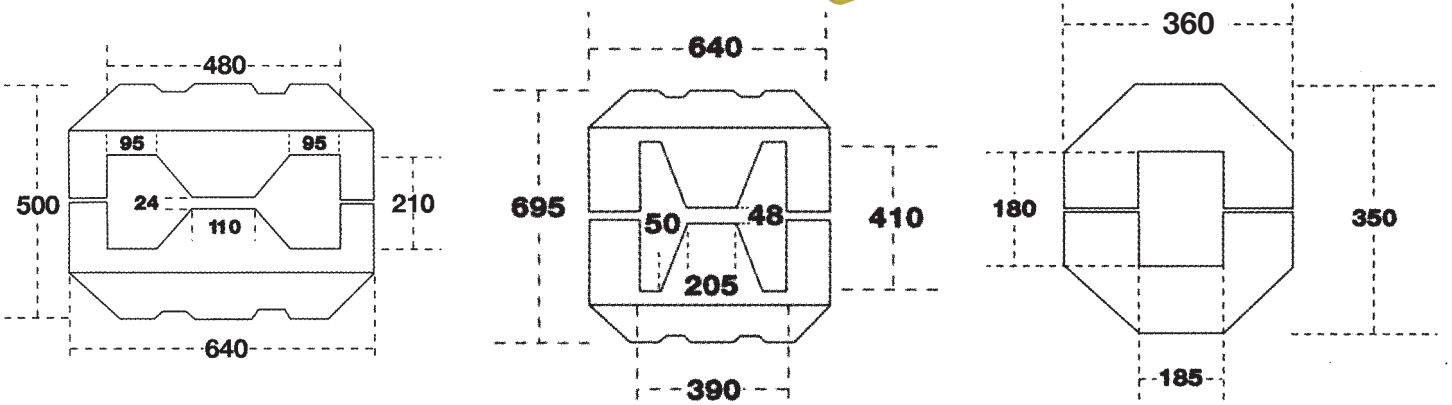
Romold's Universal Beam Protectors are manufactured from robust 100% polyethylene.

Designed for quick and simple fitting.

Protect your building columns and your forklift trucks.

## Features

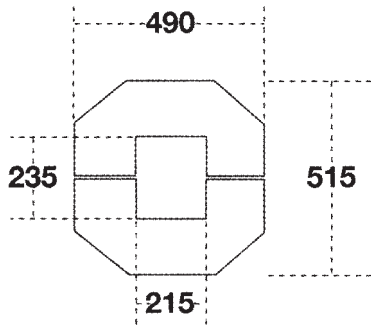
- Hi-vis yellow
- Bolts together in minutes
- Maintenance free
- Fits most universal beams



**UBP1**  
length 640mm  
width 500mm  
height 1000mm  
weight 34kg

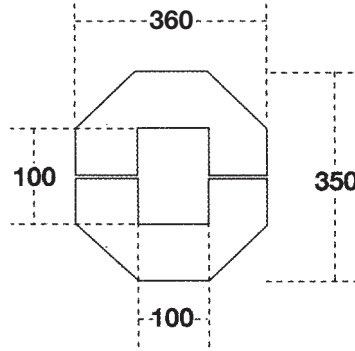
**UBP2**  
length 695mm  
width 640mm  
height 1000mm  
weight 39kg

**UBP3**  
length 360mm  
width 350mm  
height 945mm  
weight 12kg



### UBP4

length 515mm  
width 490mm  
height 945mm  
weight 18kg



### UBP5

length 360mm  
width 350mm  
height 945mm  
weight 12kg



UBP1 in position

All Universal Beam Protectors are two piece construction, nuts & bolts are supplied for securing them in place

## IMPACT PROTECTORS

Heavy duty rotationally moulded strip & edge protectors for walls and corners prone to damage. Fix in place with bolts or screws, not provided

Impact protection  
and a  
visual warning

### IPE

length 235mm  
width 235mm  
height 955mm  
weight 5kg

### IPS

length 1100mm  
width 215mm  
height 43mm  
weight 3kg





# Polyethylene Chemical Compatibility Guide

Acetaldehyde 40%	Butanol	Fuosiilic Acid	Methyl Amine 32%	Selenic Acid
Acetamide	Butyl Acetate	Formaldehyde 40%	Methyl Sulphate	Silicic Acid
Acetic Acid 10%	Butyl Alcohol	Formamide	Methyl Sulphuric Acid	Silver Nitrate
Acetone	Butylene Glycol	Formic Acid	Monochloroacetic Acid Ethyl Ester	Sodium Acetate sat.sol
Acrylonitrile	Butyric Acid	Fruit Pulp sol	Monnchloroacetic Acid Methyl Ester	Sodium Acrylates
Adipic Acid	Calcium Carbonate sat.sol	Furfural	Morpholin	Sodium Benzoate
Aliphatic Hydrocarbons	Calcium Chloride	Gallic Acid sat.sol	MowilithD	Sodium Bicarbonate
Allyl Alcohol 96%	Calcium Hydroxide	Gluconic Acid	Muriatic Acid	Sodium Bisulphate sat.sol
Alum (aqu.sol)	Calcium Hypochlorite sol	Glycerine	Nickel Chloride sat.sol	Sodium Bisulphite
Aluminium Chloride sat.sol	Calcium Nitrate 50%	Glycol	Nicotine Dilute	Sodium Bromide
Aluminium Fluoride	Calcium Sulphate sat.sol	Glycol Ethers	Nicotinic Acid	Sodium Carbonate
Aluminium Hydrogen sol 10%	Carbonic Acid (Aq.C02)	Glycolic Acid	Nitric Acid 25%	Sodium Chlorate
Aluminium Hydroxide	Carbon Monoxide	Heptane	n-Octane	Sodium Chloride
Aluminium Sulphate sat.sol	Caustic (Aqueous)	Hexane	Octyl Cresol	Sodium Chromate
Ammonia (Anhydrous)	Caustic Potash Sol. 50%	Hexanel Tert	Oleic Acid	Sodium Disulphite
Ammonia (aqu.sol)	Caustic Soda Sol. 10%	Hydrazine Hydrate	Orthophosphoric Acid 50%	Sodium Dithionite10%
Ammonia (100% Dry Gas)	Chloral Hydrate	Hydrosulphite 10%	Oxalic Acid	Sodium Ferricyanide
Ammonium Acetate	Chloroethanol	Hydroxylamine Sulphate	Paraffin Emulsions	Sodium Ferrocyanide sat.sol
Ammonium Bifluoride	Chloric Acid 10%	Hydrazine 35%	Paraffin Oil	Sodium Fluoride sat.sol
Ammonium Carbonate 50%	Chloroacetic Acid	Hydrazine Hydrochloride	Perchloric Acid 20%	Sodium Hydroxide Conc.
Ammonium Chloride	Chlorobenzene	Hydroiodic Acid	Phosphoric Acid 50%	Sodium Hypochlorite
Ammonium Hydrogen Fluoride 50%	Chrome Alum sat.sol	Hydrobromic Acid 50%	Phosphorous Yellow	Sodium Iodide
Ammonium Hydroxide	Chromic Acid sat.sol	Hydrocyanic Acid sat.sol	Phosphorous Pentoxide	Sodium Nitrate
Ammonium Metaphosphate sat.sol	Citric Acid 25%	Hydrochloric Acid 36%	Phtalic Acid	Sodium Oxalate
Ammonium Nitrate sat.sol	Clorox Bleach	Hydrofluoric Acid 40%	Phtalic Anhydride	Sodium Persulphate
Ammonium Persulphate sat.sol	Copper Cyanide	Hydrofluorosilicic Acid	Picric Acid 1%	Sodium Phosphate
Ammonium Phosphate	Copper Nitrate	Hydrogen Bromide 10%	Potash	Sodium Silicate
Ammonium Sulphide sat.sol	Copper Sulphate	Hydrogen Peroxide 20% Sulphates 50%	Potassium/Aluminum	Sodium Sulphate
Ammonium Thiocyanate sat.sol	Cresol 90%	Hydrogen Phosphide 100%	Potassium Bichromate	Sodium Sulphide
Amyl Acetate	Cresylic Acid	Hydrogen Sulphide	Potassium Borate 10%	Sodium Sulphonates
Amyl Alcohol	Crotonic Aldehyde	Hypochlorous Acid	Potassium Bromide	Sodium Thiosulphate
Antimony Salts	Cuprous Chloride sat.sol	Iodine (Alc. Sol.) Conc	Potassium Chlorate	Starch Solution sat.sol
Antimony Trichloride 90%	Cyclohexane	Iron (II) Chloride sat.sol	Potassium Chloride	Stearic Acid
Aqueous Alkalies (NaOH)	Cyclohexanol	Iron (II) Sulphate sat.sol	Potassium Chromate	Succinic Acid
Arsenic Acid	Dextrin sat.sol	Iron (III) Chloride sat.sol	Potassium Cyanide	Sulphur
Asorbic Acid 10%	Dextrose sat.sol	Iron (III) Nitrate sat.sol	Potassium Dichromate 40%	Sulphuric Acid 50%
Barium Carbonate sat.sol	Diethyl Carbonate	Iron (III) Sulphate sat.sol	Potassium Fluoride	Tannic Acid sol
Barium Chloride	Disodium Phosphate	Isopropanol	Potassium Hydroxide	Tanning Extracts
Barium Cyanide	Diethylene Glycol	Isopropyl Acetate	Potassium Iodide	Tartaric Acid sat.sol
Barium Hydroxide sat.sol	Diglycolic Acid 30%	Isopropyl Alcohol	Potassium Nitrate sat.sol	Tetraethyl Lead
Barium Nitrate	Dioxane	Lactic Acid (All Conc)	Potassium Perborate sat.sol	Tributylprophate
Barium Sulphate sat.sol	Electrolyte	Lead Acetate sat.sol	Potassium Perchlorate	Tricresyl Phosphate
Barium Sulphide	Ethanol	Magnesium Carbonate	Potassium Permanganate	Triethanolamine
Battery Fluid, Acid	Ethyl Alcohol	Magnesium Hydroxide	Potassium Persulphate sat.sol	Trisodium Phosphate sat.sol
Benzaldehyde	Ethylene Chlorohydrin	Magnesium Nitrate	Potassium Phosphates	Urea
Benzene Ethylene Diamine	Magnesium Oxide	Potassium Sulphate	Wetting Agents	
Benzoic Acid	Ethylene Glycol	Magnesium Sulphate	Propanol	White Acid 75%
Benzyl Alcohol	Ferric Chloride sat.sol	Maleic Acid	Propargyl Alcohol 7%	Yeast sol
Benzyl Chloroformate	Ferric Nitrate sat.sol	Malic Acid 1%	Propionic Acid 50%	Zinc Bromide sat.sol
Boric Acid Dilute	Ferric Salts	Mercury	Propyl Alcohol	Zinc Chloride sat.sol
Boric Acid Conc	Ferric Sulphate sat.sol	Methanol	Propylene Dichloride	Zinc Sulphate
Butadiene	Ferrous Sulphate	Methyl Acetate	Propylene Glycol	
Butanediol	Fluoboric Acid	Methyl Alcohol	Propylene Oxide	

Polyethylene products are compatible for use with the substances and concentration levels shown above. This guide was compiled from various sources as an information aid only. No tests have been conducted to validate the information and we assume no responsibility or liability for the use or misuse of this information.



ST20 - Page 2



ST30 - Page 2



ST40 - Page 2



ST60 - Page 3



ST100 - Page 3



GPT Trays - Page 5



TT Trays - Page 6



DL2 - Page 7



BP2FW - Page 11



BP4FW - Page 12



BP2HC - Page 15



BP4HC - Page 16



BB1FW - Page 24



BB3 - Page 24



BB4 - Page 26



BB1CR - Page 27



PDSD - Page 31



OP1 - Page 32



GPSC1 - Page 37



GPSC2 - Page 38

