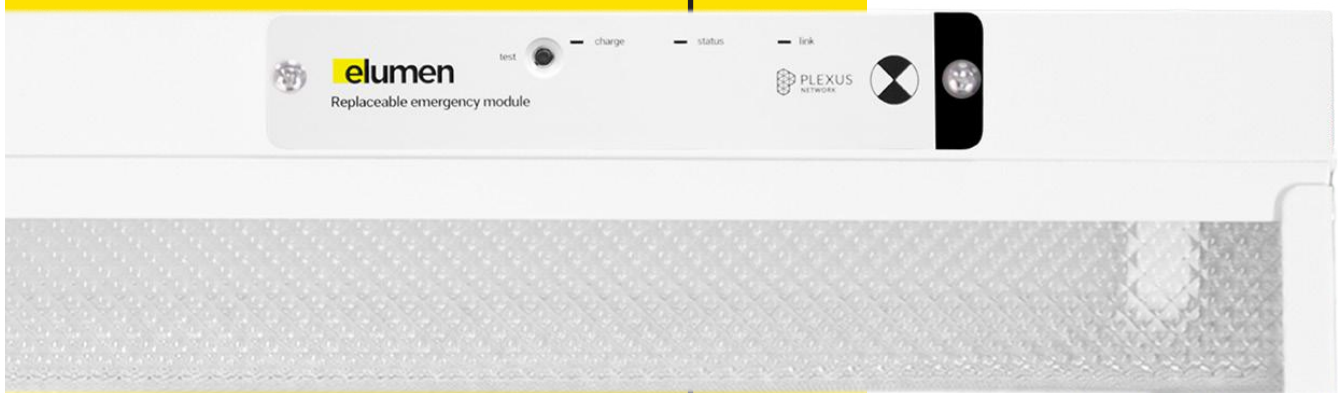


Product Catalogue 2024



**Australian design.
World-class engineering.**



Elumen website

INTRODUCTION

Elumen stands as a leading Australian manufacturer and distributor of high quality emergency lighting. Our commitment to innovation begins with our modular emergency pack system, allowing our batten lights to be serviced in under a minute. Streamline emergency lighting systems with our advanced dual function exit signs and our cutting-edge wireless networking range.

Established in 2011, Elumen embodies core values of excellence, innovation, affordability, and sustainability. Explore our Self-Test and Networking product lines to discover the potential of our ever-evolving technology, significantly reducing maintenance costs and complexity.

Every Elumen product is meticulously certified to meet the rigorous AS2293.3 standards. Our in-house engineering team consistently pushes the boundaries of innovation, striving to create safer and more efficient products that are both cost-effective to install and maintain. By tightly integrating our engineering team with our dedicated manufacturing facility, we are able to uphold the highest quality control standards. With energy-efficient LEDs and dynamic dimming occupancy sensors, our solutions can achieve up to 82% energy savings, fostering greener and more sustainable buildings.

Ready to change the way you test? Our Self-Test range offers a comprehensive suite of automated software tests for your fittings. Since the testing facilities are self contained, Self-Test is the perfect solution for retrofitting emergency lights and exit signs, eliminating the need for additional cabling and test switches.

Upgrade to our Networking range to unlock the potential of 24/7 cloud monitoring. In collaboration with Plexus, Elumen proudly introduces a comprehensive range that leverages Plexus' advanced mesh network.

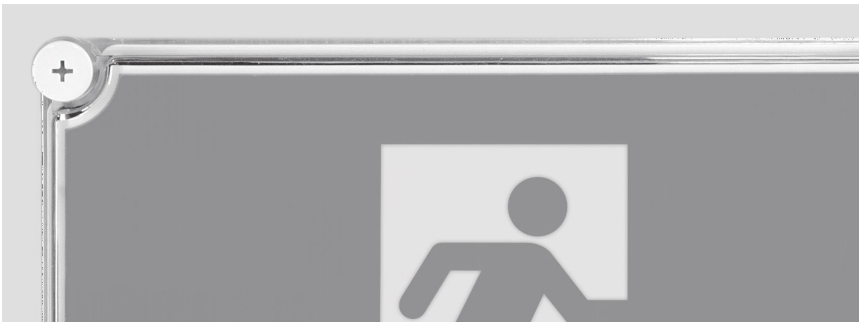


TABLE OF CONTENTS

01 **Battens**



02 **Exit Lights**



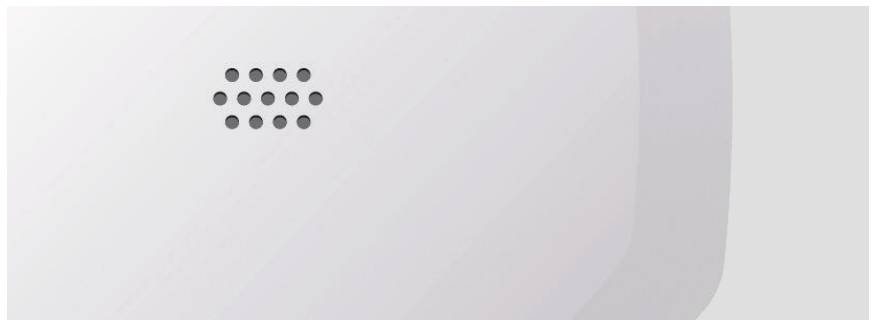
03 **Others**



04 **Product series**



05 **Plexus & Tables**



BATTENS

Elumen's comprehensive batten range is designed to be durable and energy efficient. The modular design of the Bondi batten allows it to be serviced in under 60 seconds by exchanging its Kwicky Emergency Pack.

Available in multiple sizes and enclosure styles, find the perfect batten for your application.

01 Bondi



02 Bronte



03 Kwicky








Bondi



BONDI-600-2-D-EM

Diffused/Wireguard Emergency Batten

The Bondi is an energy efficient batten light with easy installation and maintenance. Featuring tri-colour LEDs and a sturdy metal body, the Bondi is suitable for all applications such as car parks, fire stairs and corridors.

	Emergency			Warranty
	BONDI-600-2-W-EM BONDI-600-2-D-EM	BONDI-1200-1-W-EM BONDI-1200-1-D-EM	BONDI-1200-2-W-EM BONDI-1200-2-D-EM	3 years
	Self-test			Warranty
	BONDI-600-2-W-ST BONDI-600-2-D-ST	BONDI-1200-1-W-ST BONDI-1200-1-D-ST	BONDI-1200-2-W-ST BONDI-1200-2-D-ST	5 years
	Networking			Warranty
	BONDI-600-2-W-LR BONDI-600-2-D-LR	BONDI-1200-1-W-LR BONDI-1200-1-D-LR	BONDI-1200-2-W-LR BONDI-1200-2-D-LR	5 years



BONDY-600-2-W-ST



BONDY-600-2-D-LR

Accessories:

Replacement Kwicky:

EMP-KWICKY-EM

EMP-KWICKY-ST

EMP-KWICKY-LR

Standalone Occupancy Sensor:

SENSOR-BONDI

Interlinking Occupancy Sensor:

BEACON-BONDI

Replacement Diffuser:

DIFF-600-BONDI

DIFF-1200-BONDI

Replacement Wireguard:

WIRE-600-BONDI

WIRE-1200-BONDI






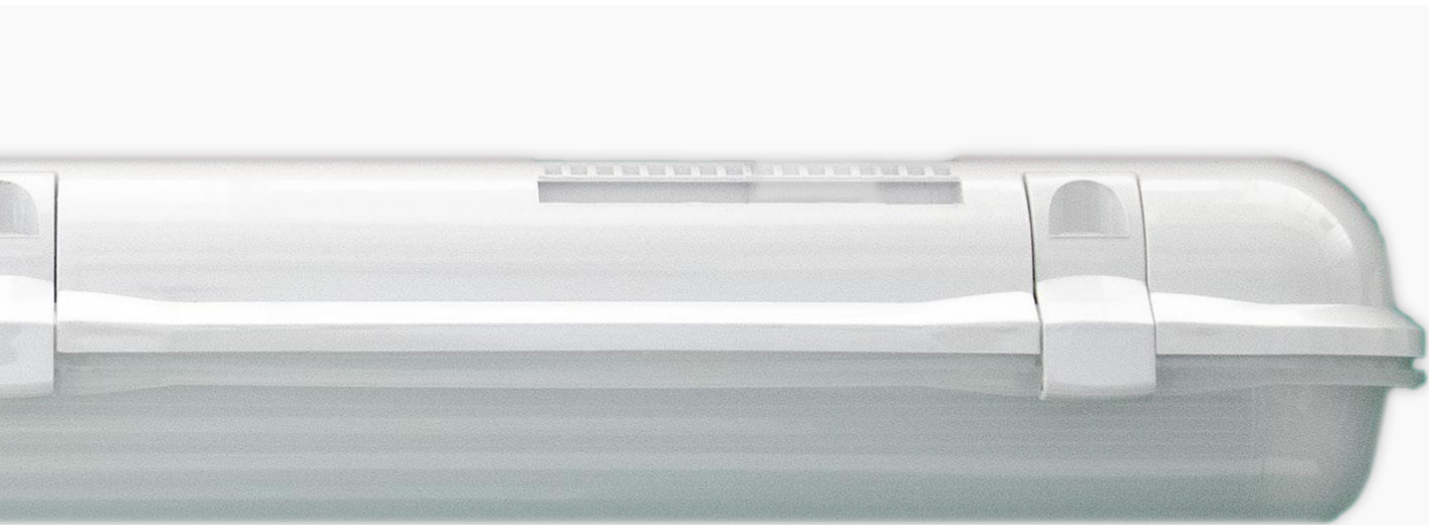
SENSOR-BONDI / BEACON-BONDI



Weatherproof Emergency Batten

The Bronte series is a reliable, weatherproof LED Batten range designed to withstand the toughest of climates. It is manufactured with a robust, corrosion-resistant IP65 plastic housing and seamless junction making it up to 85% more efficient than traditional fluorescent fixtures and perfect for outdoor applications

	Emergency			Warranty
	BRONTE-600-2-EM	BRONTE-1200-1-EM	BRONTE-1200-2-EM	3 years
	Self-test			Warranty
	BRONTE-600-2-ST	BRONTE-1200-1-ST	BRONTE-1200-2-ST	5 years
	Networking			Warranty
	BRONTE-600-2-LR	BRONTE-1200-1-LR	BRONTE-1200-2-LR	5 years



BRONTE-600-2-EM

Accessories:

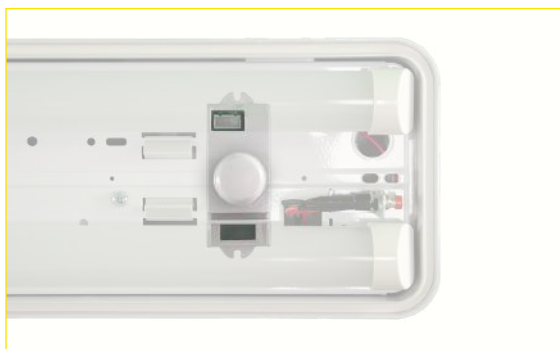
Standalone Occupancy Sensor:
SENSOR-MODULE

Interlinking Occupancy Sensor:
BEACON-MODULE

EM Pack:
EMP-EM-BRONTE

ST Pack:
EMP-ST-BRONTE

LR Pack:
EMP-LR-BRONTE



SENSOR-MODULE / BEACON-MODULE

Bondi Device Specifications

OPERATIONAL INFORMATION (standard for all Bondi models)

VOLTAGE	220 - 240VAC
FREQUENCY	50Hz
CRI	80
COLOR TEMPERATURE	3000K / 4000K / 5000K
AMBIENT TEMPERATURE	1°C - 40°C
IP RATING	IP20
MOUNTING TYPE	Surface Ceiling
OPERATING MODE	Switch Controlled, Maintained, Non-Maintained
PROJECTED LED LIGHT SOURCE LIFE	100,000 Hours
CHARGER TYPE	Smart Charger

COMPLIANCE TESTING and CONSTRUCTION

STANDARDS	AS/NZS 2293.3
	AS/NZS 60598.2.22
	AS/NZS CISPR 15
CONSTRUCTION	White Powder Coated Steel Body, Polycarbonate Diffuser

	600mm Double		1200mm Single		1200mm Double	
	Diffuser	Wireguard	Diffuser	Wireguard	Diffuser	Wireguard
LUMINOUS FLUX	1950lm	2000lm	1950lm	2000lm	3850lm	4000lm
EMERGENCY CLASSIFICATION	C0: D63	D63	D50	D63	D63	D50
	C90: D12.15	D16	D16	D16	D12.5	D25
POWER CONSUMPTION	22W		23W		43W	
DIMENSIONS	617mm x 120mm x 85mm		1,233mm x 120mm x 90mm		1,233mm x 120mm x 90mm	
WEIGHT	1.95kg		3kg		3.2kg	

Bronte Device Specifications

OPERATIONAL INFORMATION (standard for all Bronte models)

VOLTAGE	220 - 240VAC
FREQUENCY	50Hz
CRI	80
COLOR TEMPERATURE	3000K / 4000K / 5000K
AMBIENT TEMPERATURE	1°C - 40°C
IP RATING	IP65
MOUNTING TYPE	Surface Mounting
OPERATING MODE	Maintained, Non-Maintained or Switch Controlled
PROJECTED LED LIGHT SOURCE LIFE	100,000 Hours
CHARGER TYPE	Smart Charger

COMPLIANCE TESTING and CONSTRUCTION

STANDARDS	AS/NZS 2293.3
	AS/NZS 60598.2.22
	AS/NZS CISPR 15
CONSTRUCTION	Polycarbonate

	600mm Double	1200mm Single	1200mm Double
EMERGENCY CLASSIFICATION	C0: D50	D50	D63
	C90: D16	D16	D16
POWER RATING	22W	23W	43W
DIMENSIONS	654mm x 120mm x 85mm	1,264mm x 120mm x 85mm	1,264mm x 120mm x 85mm
WEIGHT	1.95kg	3.2kg	3.2kg

Kwicky Emergency Pack



EMP-KWICKY-EM

Replaceable Emergency Module

The Kwicky emergency pack is a quick replaceable emergency pack designed to be used with the Bondi batten.



Emergency
EMP-KWICKY-EM

Warranty
3 years



Self-test
EMP-KWICKY-ST

Warranty
5 years



Networking
EMP-KWICKY-LR

Warranty
5 years

Products supported:

- Legacy WBS battens
- Byron
- Bondi

Device Specifications

OPERATIONAL INFORMATION

VOLTAGE	220 - 240VAC
FREQUENCY	50Hz
AMBIENT TEMPERATURE	1°C - 40°C
IP RATING	IP20
CHARGER TYPE	LiFePO ₄ Smart Charger
BATTERY INFORMATION	LiFePO ₄ Single Cell Battery
BATTERY POWER	3.2V 3300mAh 10.56W

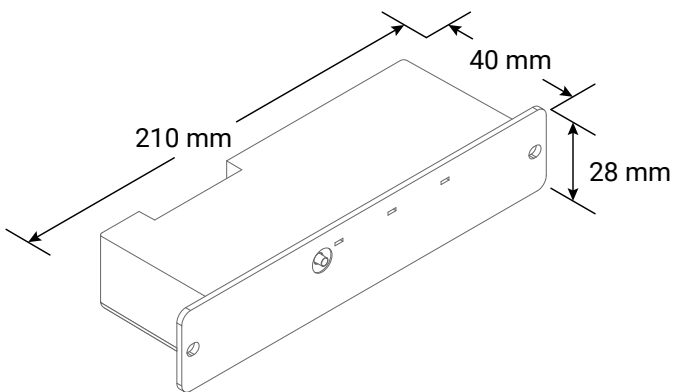
CONSTRUCTION, DIMENSIONS AND WEIGHT

CONSTRUCTION	Polycarbonate Housing
WEIGHT	0.2kg
CARTON QTY	4
CARTON DIMENSIONS	220mm x 170mm x 35mm
CARTON WEIGHT	0.85kg

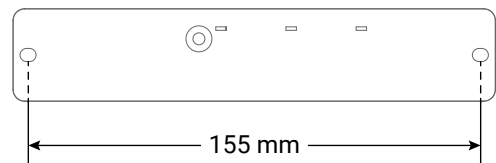
COMPLIANCE AND TESTING

STANDARDS	AS/NZS 2293.3 AS/NZS 60598.2.2 AS/NZS CISPR 15
-----------	--

Product Drawing



ORTHOGRAPHIC DRAWING



MOUNTING INFORMATION

EXIT LIGHTS

Elumen's signature dual function exit signs offer a complete solution for specific corridors and fire stairs. With their robust backup LEDs, Elumen's Maslin and Palm models can function as both signage and illumination in the event of a power outage.

With a wide range of styles, servicing your building with Elumen has never been easier.

01 Manly



02 Maslin



03 Mile

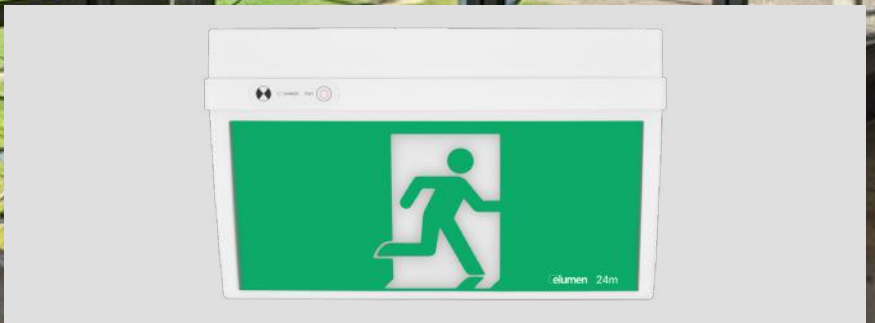




04 Palm



05 Wanda



06 Whale





Surface Mount Box Exit

The Manly emergency exit light is designed for easy replacement and features a quick connect base for simple installation.



Emergency
MANLY-EM

Warranty
3 years



Self-test
MANLY-ST

Warranty
5 years

Features:

- AS2293 Compliant
- 24m viewing distance
- All directional decals included
- Lithium battery with smart charger
- Replaceable slim quick connect base

Device Specifications

OPERATIONAL INFORMATION

VOLTAGE	220 - 240VAC
FREQUENCY	50Hz
CRI	80
POWER CONSUMPTION	6W max 3.6W standby
AMBIENT TEMPERATURE	1°C - 40°C
IP RATING	IP20
MOUNTING TYPE	Surface or Wall Mount
OPERATING MODE	Maintained
EMERGENCY LIGHT SOURCE LIFE	100,000 hours

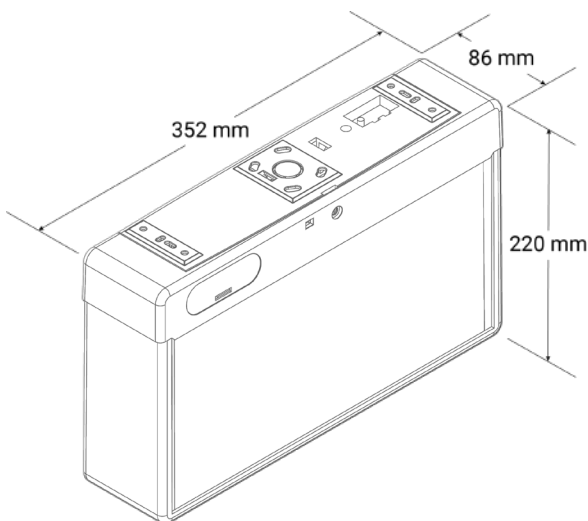
CONSTRUCTION, DIMENSIONS AND WEIGHT

CONSTRUCTION	Polycarbonate
WEIGHT	1.05kg
CARTON QTY	8
CARTON DIMENSIONS	374mm x 364mm x 415mm
CARTON WEIGHT	9.3kg

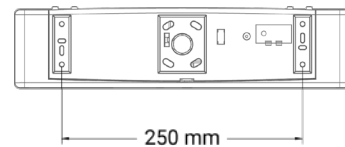
COMPLIANCE AND TESTING

STANDARDS	AS/NZS 2293.3
	AS/NZS 60598.2.2
	AS/NZS CISPR 15
EMERGENCY CLASSIFICATION	C0: D40
	C90: D16

Product Drawing



ORTHOGRAPHIC DRAWING



MOUNTING INFORMATION

Maslin



Surface Mount Blade

The Maslin's revolutionary combined design provides a standard 24m viewing distance with an unmatched lighting coverage in a single body. It features an LED surface-mount blade exit sign with built-in side LEDs that activate on power loss.



Emergency
MASLIN-EM
MASLIN-BLK-EM

Warranty
3 years



Self-test
MASLIN-ST
MASLIN-BLK-ST

Warranty
5 years



Networking
MASLIN-LR
MASLIN-BLK-LR

Warranty
5 years

Accessories:

Green Decals:
PIC-EX-BLADE

Black Decals:
PIC-EX-BLADE-BLK

Weatherproof Case:
WPE-MASLIN

Device Specifications

OPERATIONAL INFORMATION

VOLTAGE	220 - 240VAC
FREQUENCY	50Hz
CRI	80
POWER CONSUMPTION	7W
RATED DURATION	> 2 hours
AMBIENT TEMPERATURE	1°C - 40°C
IP RATING	IP20
MOUNTING TYPE	Surface Mounting
OPERATING MODE	Maintained
EMERGENCY LIGHT SOURCE LIFE	100,000 hours

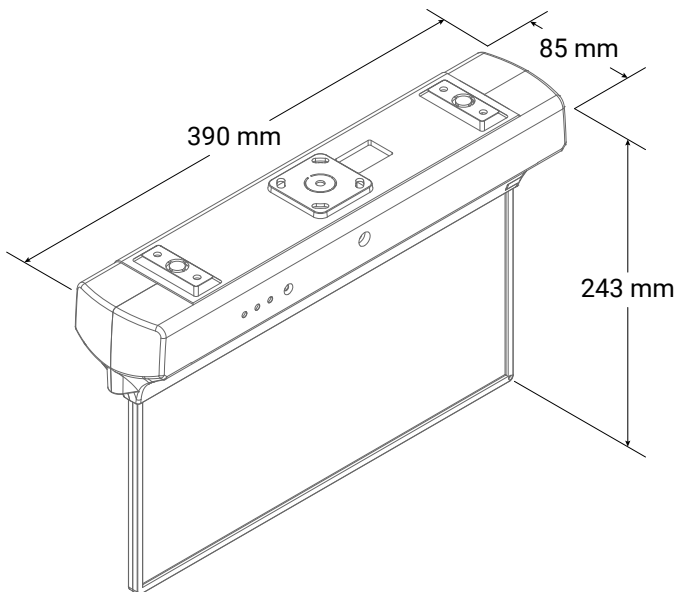
CONSTRUCTION, DIMENSIONS AND WEIGHT

CONSTRUCTION	Polycarbonate with Acrylic Decal
PRODUCT WEIGHT	1.25kg
CARTON QUANTITY	8
CARTON DIMENSIONS	405mm x 370mm x 532mm
CARTON WEIGHT	11kg

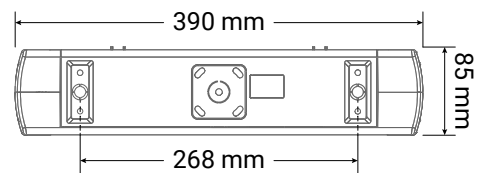
COMPLIANCE AND TESTING

STANDARDS	AS/NZS 2293.3
	AS/NZS 60598.2.2
	AS/NZS CISPR 15
EMERGENCY CLASSIFICATION	C0: D40
	C90: D16

Product Drawing



ORTHOGRAPHIC DRAWING



MOUNTING INFORMATION

Mile



Jumbo Emergency Exit Light

The Mile is a surface-mount LED jumbo exit light with a 40m viewing distance.



Emergency
MILE-40-EM

Warranty
3 years



Self-test
MILE-40-ST

Warranty
5 years



Networking
MILE-40-LR

Warranty
5 years

Accessories:

Decal:

PIC-EX-L-MILE-40

PIC-EX-R-MILE-40

PIC-EX-RUN-MILE-40

Device Specifications

OPERATIONAL INFORMATION

VOLTAGE	220 - 240VAC
FREQUENCY	50Hz
CRI	80
POWER CONSUMPTION	6W
RATED DURATION	> 2 hours
AMBIENT TEMPERATURE	1°C - 40°C
IP RATING	IP20
VIEWING DISTANCE	40m
MOUNTING TYPE	Surface Mounting
OPERATING MODE	Maintained
EMERGENCY LIGHT SOURCE LIFE	100,000 hours

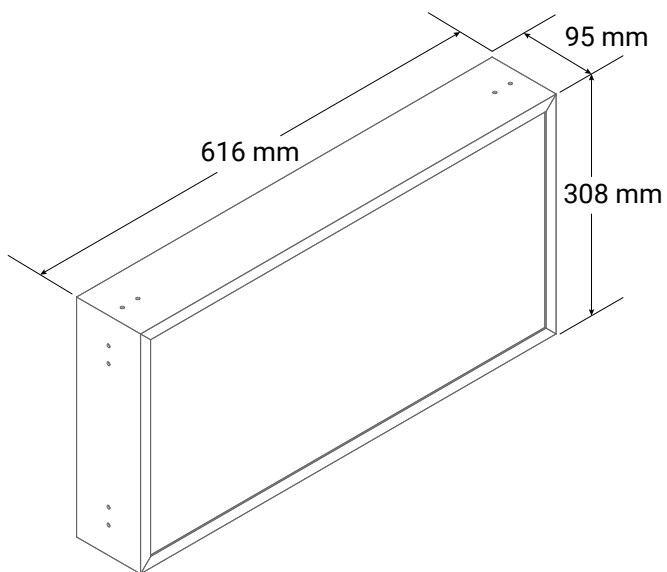
CONSTRUCTION, DIMENSIONS AND WEIGHT

CONSTRUCTION	White Powder Coated Steel Body, Acrylic Decal
WEIGHT	4.7 kg
CARTON QTY	1
CARTON DIMENSIONS	645mm x 115mm x 325mm
CARTON WEIGHT	4.85kg

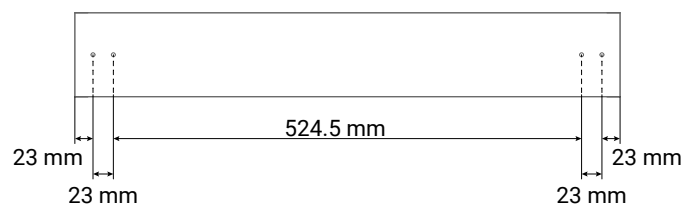
COMPLIANCE AND TESTING

STANDARDS	AS/NZS 2293.3 AS/NZS 60598.2.2 AS/NZS CISPR 15
-----------	--

Product Drawing



ORTHOGRAPHIC DRAWING



MOUNTING INFORMATION

Palm



Recessed Blade Emergency Exit Light

The Palm's revolutionary design provides a combined 24m viewing distance exit as well as unmatched emergency lighting coverage in a single body, reducing the need for an extra Sunrise near an exit light. It features an LED recess-mount blade exit sign with built-in side LEDs that activate on power loss.



Emergency
PALM-EM
PALM-BLK-EM

Warranty
3 years



Self-test
PALM-ST
PALM-BLK-ST

Warranty
5 years



Networking
PALM-LR
PALM-BLK-LR

Warranty
5 years

Accessories:

Green Decals:
PIC-EX-BLADE

Black Decals:
PIC-EX-BLADE-BLK

Device Specifications

OPERATIONAL INFORMATION

VOLTAGE	220 - 240VAC
FREQUENCY	50Hz
CRI	80
POWER CONSUMPTION	7W
RATED DURATION	> 2 hours
AMBIENT TEMPERATURE	1°C - 40°C
IP RATING	IP20
MOUNTING TYPE	Recessed Mount
OPERATING MODE	Maintained
CHARGER TYPE	Smart Charger
EMERGENCY LIGHT SOURCE LIFE	100,000 hours

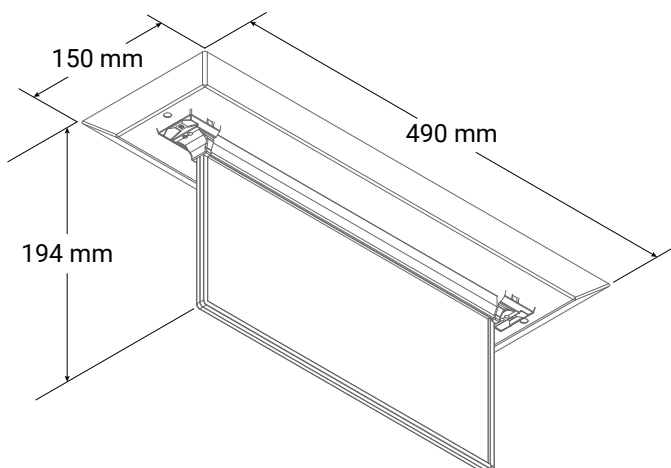
CONSTRUCTION, DIMENSIONS AND WEIGHT

CONSTRUCTION	White Powder Coated Steel Body, Acrylic Decal
WEIGHT	2kg
CARTON QTY	8
CARTON DIMENSIONS	507mm x 410mm x 410mm
CARTON WEIGHT	19kg

COMPLIANCE AND TESTING

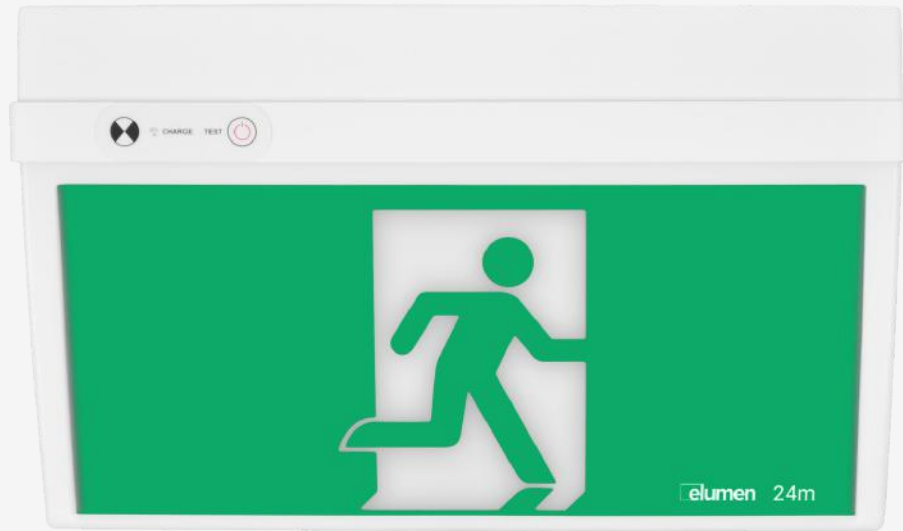
STANDARDS	AS/NZS 2293.3 AS/NZS 60598.2.2 AS/NZS CISPR 15
EMERGENCY CLASSIFICATION	C0: D32 C90: D25

Product Drawing



ORTHOGRAPHIC DRAWING

Wanda



WANDA-EM-CM

Box Emergency Exit Light

The Wanda features a wide base that covers the standard footprint of any existing box emergency exit light.



Emergency
WANDA-EM
WANDA-EM-CM
WANDA-EM-WM

Warranty
3 years



Self-test
WANDA-ST
WANDA-ST-CM
WANDA-ST-WM

Warranty
5 years



Networking
WANDA-LR
WANDA-LR-CM
WANDA-LR-WM

Warranty
5 years

Accessories:

Ceiling Mount Diffuser:
PIC-CM-WANDA

Wall Mount Diffuser:
PIC-WM-WANDA

Device Specifications

OPERATIONAL INFORMATION

VOLTAGE	220 - 240VAC
FREQUENCY	50Hz
CRI	80
POWER CONSUMPTION	6W max 3.6W standby
AMBIENT TEMPERATURE	1°C - 40°C
IP RATING	IP20
MOUNTING TYPE	Surface Mount
OPERATING MODE	Maintained
PROJECTED LED LIGHT SOURCE LIFE	100,000 hours

CONSTRUCTION, DIMENSIONS AND WEIGHT

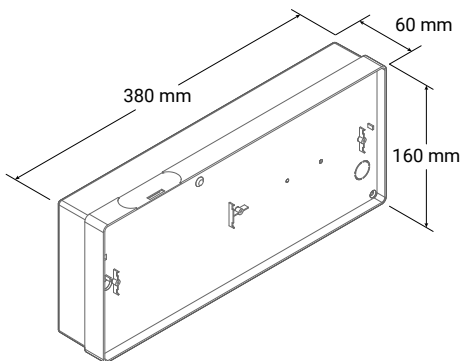
CONSTRUCTION	Polycarbonate
WEIGHT	1.1kg

COMPLIANCE AND TESTING

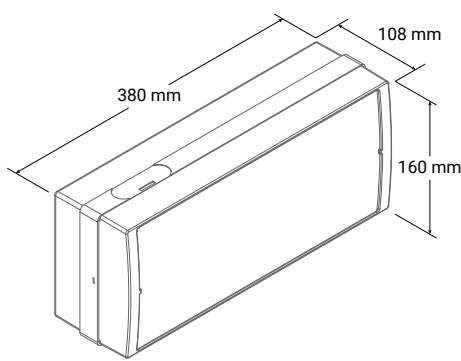
STANDARDS	AS/NZS 2293.3 AS/NZS 60598.2.2 AS/NZS CISPR 15
EMERGENCY CLASSIFICATION	Ceiling Mount - C0:D12.5, C90:D12.5 Wall Mount - C0:D12.5, C90:D10

CARTON DETAILS	WANDA BASE	WANDA WALL MOUNT	WANDA CEILING MOUNT
QUANTITY	8	8	8
DIMENSIONS	410mm x 350mm x 305mm	405mm x 350mm x 245mm	685mm x 375mm x 400mm
WEIGHT	9.1kg	5kg	5kg

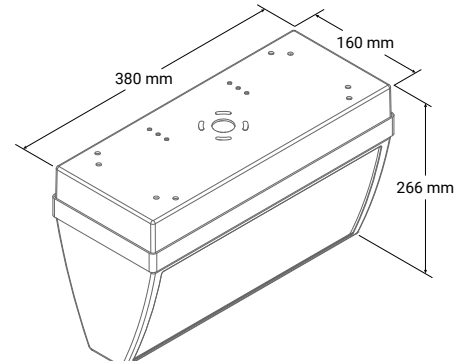
Product Drawing



WANDA BASE



WANDA WALL MOUNT



WANDA CEILING MOUNT

Whale



Weatherproof Emergency Exit Sign

The Whale is a robust LED surface-mount IP65 weatherproof exit sign suitable for outdoor use.



Emergency
WHALE-EM

Warranty
3 years



Self-test
WHALE-ST

Warranty
5 years



Networking
WHALE-LR

Warranty
5 years

Accessories:

Left Arrow:
PIC-EX-L-WHALE

Right Arrow:
PIC-EX-R-WHALE

Running Man:
PIC-EX-RUN-WHALE

Device Specifications

OPERATIONAL INFORMATION

VOLTAGE	220 - 240VAC
FREQUENCY	50Hz
CRI	80
POWER CONSUMPTION	6W
RATED DURATION	> 2 hours
AMBIENT TEMPERATURE	1°C - 40°C
IP RATING	IP65
MOUNTING TYPE	Surface Mount
OPERATING MODE	Maintained
CHARGER TYPE	Smart Charger
EMERGENCY LIGHT SOURCE LIFE	100,000 hours

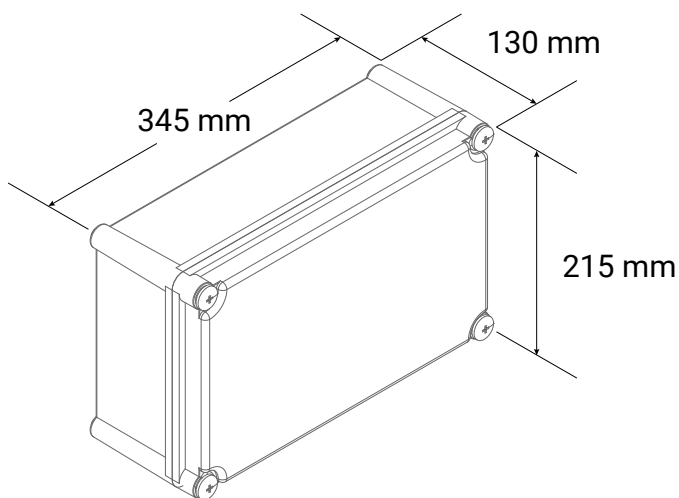
CONSTRUCTION, DIMENSIONS AND WEIGHT

CONSTRUCTION	Polycarbonate
WEIGHT	1.9kg
CARTON QTY	8
CARTON DIMENSIONS	720mm x 540mm x 250mm
CARTON WEIGHT	16.8kg

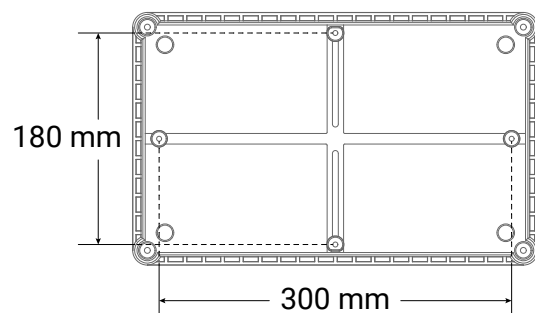
COMPLIANCE AND TESTING

STANDARDS	AS/NZS 2293.3
	AS/NZS 60598.2.2
	AS/NZS CISPR 15
EMERGENCY CLASSIFICATION	C0: C8
	C90: C8

Product Drawing



ORTHOGRAPHIC DRAWING



MOUNTING INFORMATION

MISCELLANEOUS

Elumen's miscellaneous emergency luminaires are simple and effective. The Floreat's IP65 enclosure and adjustable flood lamps provides versatile outdoor emergency lighting coverage. The sleek and inconspicuous Sunrise or tri-colour Ocean is perfect for corridors and common areas.

01 Floreat



02 Sunrise



03 Ocean





Floreat



Twin Head Emergency Flood Light

The Floreat is an IP65 weatherproof surface-mount LED emergency flood light. Perfect for indoor or outdoor applications.



Emergency
FLOREAT-EM

Warranty
3 years



Self-test
FLOREAT-ST

Warranty
5 years



Networking
FLOREAT-LR

Warranty
5 years

Features:

- AS2293 Compliant
- IP65 weatherproof
- LiFePO4 Lithium Battery
- IK10 Rating

Device Specifications

OPERATIONAL INFORMATION

VOLTAGE	220 - 240VAC
FREQUENCY	50Hz
CRI	80
POWER CONSUMPTION	2.5W max 0.5W standby
IK RATING	IK10
AMBIENT TEMPERATURE	1°C - 40°C
IP RATING	IP65
MOUNTING TYPE	Surface Mount
OPERATING MODE	Non-Maintained
CHARGER TYPE	Smart Charger
PROJECTED LIGHT SOURCE LIFE	100,000 hours

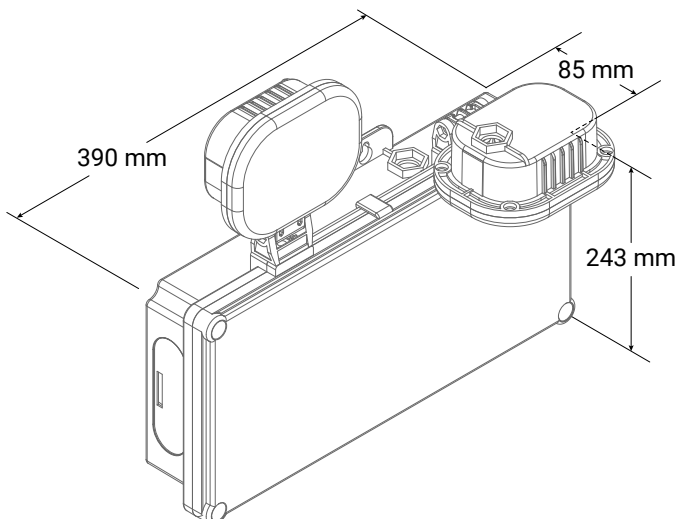
CONSTRUCTION, DIMENSIONS AND WEIGHT

CONSTRUCTION	Polycarbonate
DIMENSIONS	300mm x 294mm x 82mm
WEIGHT	1.05kg
CARTON QTY	4
CARTON DIMENSIONS	330mm x 310mm x 320mm
CARTON WEIGHT	6kg

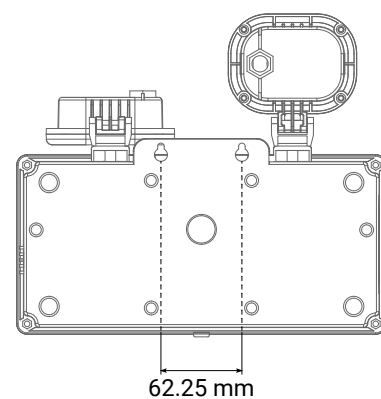
COMPLIANCE AND TESTING

STANDARDS	AS/NZS 2293.3 AS/NZS 60598.2.2 AS/NZS CISPR 15
-----------	--

Product Drawing



ORTHOGRAPHIC DRAWING



MOUNTING INFORMATION

Sunrise



Emergency Luminaire

The Sunrise is an LED recessed emergency light fitting. It features a flex and plug design for easy installation and a long lasting LiFePO4 battery.



Emergency
SUNRISE-EM
SUNRISE-BLK-EM

Warranty
3 years



Self-test
SUNRISE-ST
SUNRISE-BLK-ST

Warranty
5 years



Networking
SUNRISE-LR
SUNRISE-BLK-LR

Warranty
5 years

Accessories:

Sunrise Theatre:
DISH-SUNRISE-BLK

Weatherproof Enclosure:
WPE-SUNRISE

Surface Mount Enclosure:
SME-SUNRISE

Device Specifications

OPERATIONAL INFORMATION

VOLTAGE	220 - 240VAC
FREQUENCY	50Hz
POWER CONSUMPTION	0.5W standby, 4.7W max
RATED DURATION	> 2 hours
CLASS	2
AMBIENT TEMPERATURE	1°C - 40°C
IP RATING	IP20
MOUNTING TYPE	Recess Mounting
CHARGER TYPE	Smart Charger
OPERATING MODE	Non-Maintained
EMERGENCY LIGHT SOURCE LIFE	100,000 hours

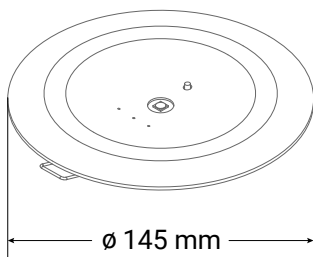
CONSTRUCTION, DIMENSIONS AND WEIGHT

DISH CONSTRUCTION	Polycarbonate
WEIGHT	0.43kg
HOLE CUT OUT	76mm - 120mm
CARTON QTY	20
CARTON DIMENSIONS	477mm x 360mm x 245mm
CARTON WEIGHT	11.5kg

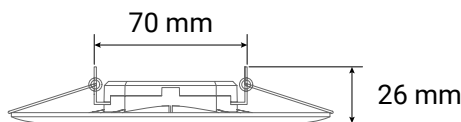
COMPLIANCE AND TESTING

STANDARDS	AS/NZS 2293.3	
	AS/NZS 60598.2.2	
	AS/NZS CISPR 15	
EMERGENCY CLASSIFICATION	EM RANGE	ST / LR RANGE
	- C0: D40	- C0: D40 (default), D25, D32, D50, D63
	- C90: D40	- C90: D40 (default), D25, D32, D50, D63

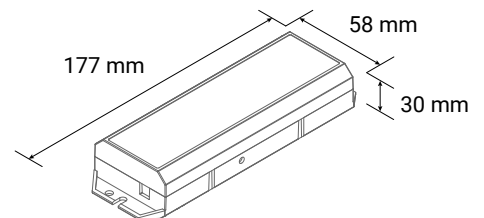
Product Drawing



ORTHOGRAPHIC DRAWING



MOUNTING INFORMATION



CONTROL UNIT DRAWING

Ocean



Emergency Oyster Light

The Ocean is a surface-mount LED oyster light perfect for corridors and common areas. It features tri-colour LEDs to dynamically configure the colour temperature.



Emergency
OCEAN-TRI-EM

Warranty
3 years



Self-test
OCEAN-TRI-ST

Warranty
5 years



Networking
OCEAN-TRI-LR

Warranty
5 years

Accessories:

Motion Sensor:
SENSOR-MODULE

Wireless Motion Sensor:
BEACON-MODULE

Device Specifications

OPERATIONAL INFORMATION

VOLTAGE	220 - 240VAC
FREQUENCY	50Hz
LUMINOUS FLUX	1785lm (Standard Mode) 290lm (Emergency Mode)
POWER CONSUMPTION	24W
AMBIENT TEMPERATURE	1°C - 40°C
IP RATING	IP20
COLOUR TEMPERATURE	3,000°k/4,000°k/5,000°k
MOUNTING TYPE	Surface Ceiling Mount
OPERATING MODE	Maintained, Non-Maintained, Switch Controlled
PROJECTED LED LIGHT SOURCE LIFE	100,000 Hours

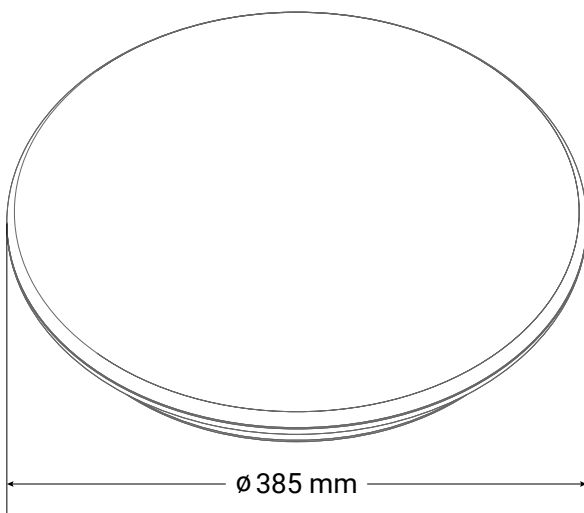
CONSTRUCTION, DIMENSIONS AND WEIGHT

CONSTRUCTION	Poly Carbonate Diffuser & Powder Coated Steel Body
WEIGHT	1.3kg
CARTON QTY	5
CARTON DIMENSIONS	630mm x 410mm x 410mm
CARTON WEIGHT	9.5kg

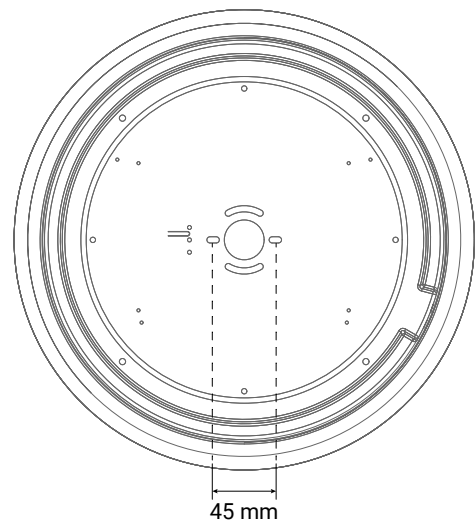
COMPLIANCE AND TESTING

STANDARDS	AS/NZS 2293.3 AS/NZS 60598.2.22 AS/NZS CISPR 15
EMERGENCY CLASSIFICATION	C0:D32 C90:D32

Product Drawing



ORTHOGRAPHIC DRAWING



MOUNTING INFORMATION

THEATRE SERIES

Elumen's theatre range provides an immersive experience for low light level applications. Perfect for cinemas, darkrooms and theatres.

Match the look and feel of low light level environments with Elumen's new theatre range. Available exclusively to the Maslin, Palm and Sunrise.

01 Maslin



02 Palm



03 Sunrise



PHOTO BY ADRIEN OLICHON @ PEXELS

ACCESSORIES

Elumen's pilot range of IoT accessories combines Elumen's reliable hardware with Plexus' cutting-edge software.

01 Kelvin Dot

Wireless Temperature and Humidity sensor

Monitor comfort levels and commercial fridge temperatures with the Kelvin Dot. Configure temperature threshold warnings and keep track of historical temperature data.



02 Saturn

Wireless interlinking smoke alarm

The Saturn combines a robust smoke alarm with a 10 year design life with the remote monitoring capabilities of Plexus. Trace the source of the alarm with our alarm trigger monitoring to troubleshoot and prevent unwanted alarms.



03 Occupancy Sensors

Energy saving occupancy sensor

Stay in control of your energy expenses with the Beacon occupancy sensor. The Beacon offers a versatile three-stage dimming configuration, enabling the perfect balance between energy savings and comfortable lighting levels.

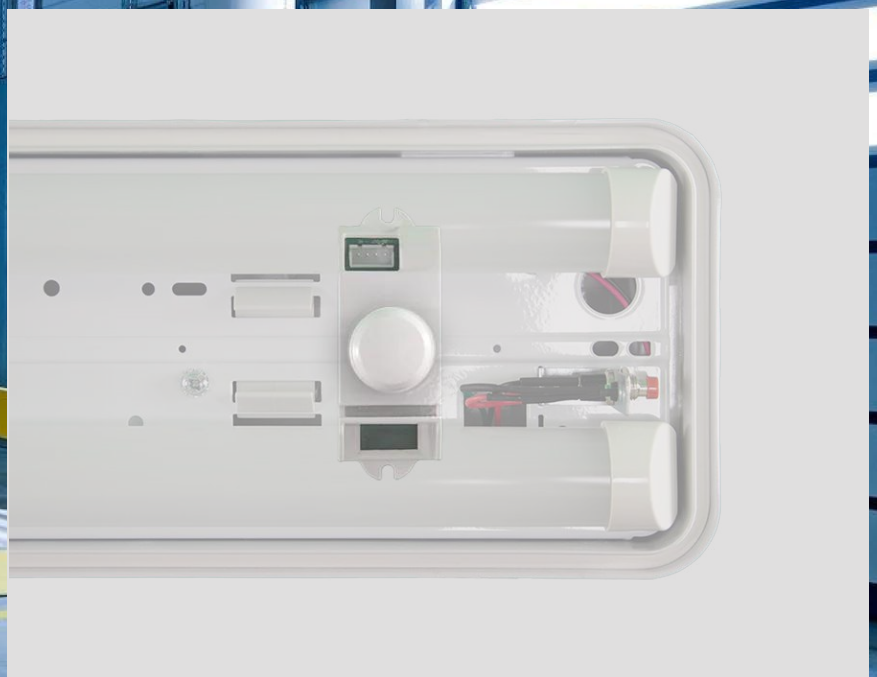


PHOTO BY PIXABAY @ PEXELS

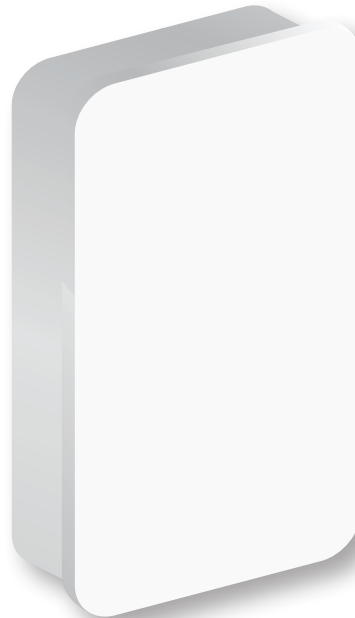
PLEXUS

The Plexus network is a resilient system of wireless nodes and gateways. Plexus nodes automatically form a self-healing mesh to the gateway, providing a stable, dynamic and wide indoor network. Create bespoke systems by integrating with our network or choose one of our cost-effective and seamlessly integrated solutions.

Building a Plexus network is simple. All Plexus products are entirely plug and play, forming a self-healing mesh as soon as they're powered on.

01 Gateway

Connect Plexus
to the cloud



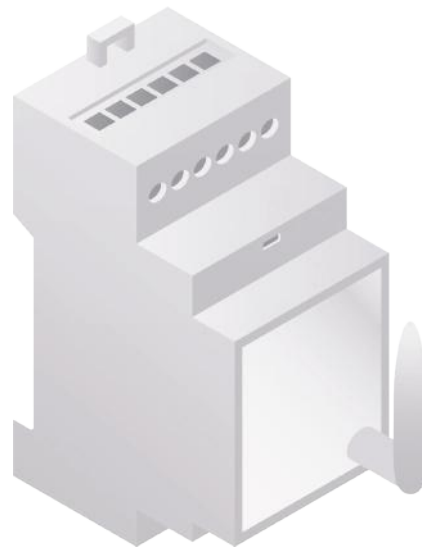
02 Node

Plexus network extender



03 Tether

Connect any device to Plexus

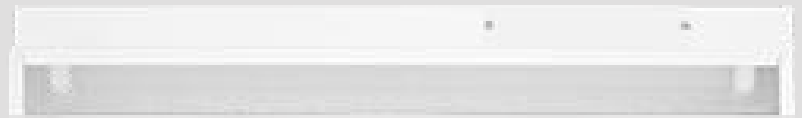


NON-EMERGENCY

Elumen's reliable non-emergency product line is backed by a 5-year comprehensive product warranty. Crafted to maintain the identical Elumen design and aesthetic, ensure your building's lighting is uniform and seamlessly integrated.

With tri-colour LEDs, select the optimal colour temperature for your environment. Fully compatible with our dynamic dimming occupancy sensors and equipped with the same energy-efficient LEDs, ensure that your building remains both stylish and sustainable.

01 Bondi



02 Bronte



03 Ocean



Emergency Classification table

Model	Power Rating			C0	ST/ LR Models	C90	ST/ LR Models
Bondi (non-em)	21W	22W	42W				
Bondi-600-2-D	22W			D63		D12.5	
Bondi-1200-1-D	23W			D50		D16	
Bondi-1200-2-D	43W			D63		D12.5	
Bondi-600-2-W	22W			D63		D16	
Bondi-1200-1-W	23W			D63		D16	
Bondi-1200-2-W	43W			D50		D25	
Bronte (non-em)	21W	22W	42W				
Bronte-600	22W			D50		D16	
Bronte-1200-1	23W			D50		D16	
Bronte-1200-2	43W			D63		D16	
Floreat	2.5W max		0.5W standby				
Ocean (non-em)	22W						
Ocean	26W max		2.5W standby	D32		D32	
Sunrise	2.5W max		0.5W standby	D40	D25-D63	D40	D25-D63
Maslin	4W max		1.8W standby	D40		D16	
Palm	4W max		2.2W standby	D32		D25	
Whale	6W max		3.6W standby	C8		C8	
Mile	6W max		3.6W standby				
Wanda CM	6W max		3.6W standby	D12.5		D12.5	
Wanda WM	6W max		3.6W standby	D12.5		D10	
Manly	6W max		3.6W standby	D16		D12.5	

Standard	Description
AS/NZS 2293.3	Emergency lighting and exit signs for buildings Emergency luminaires and exit signs
AS/NZS 60598.1	Luminaires General requirements and tests
AS/NZS 60598.2.22	Luminaires Particular requirements Luminaires for emergency lighting



Find a Supplier

For pricing and additional information,
please reach out to us or visit our website.



elumen.com.au



1300 927 533



orders@wbstech.com.au



32/2 Slough Avenue,
Silverwater NSW 2128