



**INVOTECH** INNOVATIVE  
HVAC/R SOLUTIONS  
DISTRIBUTION CENTER TEXAS

[www.invotechtexas.com](http://www.invotechtexas.com)



# PRODUCT CATALOG



RE-INVENTING THE FUTURE OF THE HVAC/R INDUSTRY







DOWNLOAD THE  
APP AND REGISTER



# INVOTECH - MORE FOR LESS

RANGE AND APPLICATIONS	Manufacturer	A/C	MT	BT	Inverter	Refrigerants A/C	Medium and Low-Temperature Refrigerants	Specifications	Efficiency	Range	Accessories (Rotalock valves, DTC, Heat Exchangers, Resistance and supports)
		√	√	√	√	R410A, R407C, R134A, R22, R454B, R32	R404A, R507A, R134A, R448A, R449A, R407F, R22, R455A, R454C, R290	Tandem Ready, Rotalock, Sight Glass	COP 15%	1- 60 HP	Factory Originals Included with the Compressor
	<b>COPELAND</b>	√	√	√	√	R410A, R407C, R134A, R22, R454B, R32	R404A, R507A, R134A, R448A, R449A, R407F, R22, R455A, R454C, R290	On Demand	COP 15%	1 - 100 HP	Sold separately at the factory
	<i>Danfoss</i>	Limited	√	√	√	R410A, R407C, R134A, R22, R454B, R32	R404A, R507A, R134A, R448A, R449A, R407F, R22, R455A, R454C, R290	On Demand	COP 15%	20 - 100 HP	Sold separately at the factory
		Limited	√	√	√	R410A, R407C, R134A, R22, R454B, R32	R404A, R507A, R134A, R448A, R449A, R407F, R22, R455A, R454C, R290	On Demand	COP 15%	1 - 100 HP	Sold separately at the factory
	<b>SANYO</b>	√	N/A	N/A	N/A	R22 , R410	R22 , R410	On Demand	Not published	1 - 12 HP	Not included

DISTRIBUTION CAPACITY	Manufacturer	Distribution Center	Prepaid Freight	Fill rate	Shipping within 24-48 hours	Presentation	Certification
		USA - Mexico	Terms and Conditions	92%	Offered	Individually packaged with installation manual	Quality Management System ISO 9001: 2015
	<b>COPELAND</b>	USA - Mexico	Terms and Conditions	Scheduled and Mandatory Purchase	Not offered	Packaged without installation manual	N/A
	<i>Danfoss</i>	USA - Mexico	\$1000 USD, Terms and Conditions by Region	Scheduled and Mandatory Purchase	Not offered	On pallets without boxes, without installation manual	Management System ISO 9001:2015
		USA - Mexico	Not offered	Scheduled and Mandatory Purchase	Not offered	Unpackaged, without installation manual	N/A
	<b>SANYO</b>	China	Not offered	Container	Not offered	Unpackaged, no installation manual	N/A

POST-SALES SERVICE	Manufacturer	Warranty	Technician Certification	Warranty Program	Competitiveness	Mobile Application	Training Program	Promotions
		48 months OEM, 12 months replacement	Free; endorsed by the Secretariat of Public Education	RAG	Competitive	APP Invotech Android/IOS/WEB	Training Center	Weekly, monthly and quarterly
	<b>COPELAND</b>	36 Months OEM, 12 Months replacement, Subject to inspection	Free without government accreditation	Not offered	Premium	APP Copeland	Training Center	N/A
	<i>Danfoss</i>	12 months limited	Free without government accreditation	Not offered	Medium premium	APP Danfoss	Training Center	N/A
		12 months limited	Free without government accreditation	Not offered	Medium premium	N/A	Not offered	N/A
	<b>SANYO</b>	Not offered	N/A	Not offered	Minimal	N/A	Not offered	N/A

# INVOTECH SCROLL

## A High-Tech Company

Invotech was founded by a group of engineers who formerly worked for the world's largest manufacturer of scroll compressors. We are a team of passionate and highly qualified professionals with more than 15 years of experience in this industry and our vast product offering is available throughout 30 countries and regions.

Invotech USA provides specialized scroll compressors and related technical consulting services for heat pump water heaters, refrigeration and air conditioning, chillers and other applications. We are willing to provide our customers with jointly developed or Turn-Key solutions to meet their needs.

**Our vision:** To become a first-class global solution provider by offering innovative products for the climate and energy industries.



Can Ship  
Throughout the  
USA



Combined Inventory  
of up to 19,000  
Compressors



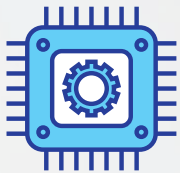
Inventory of  
Over 200  
Different SKU's



Technical Training  
Programs



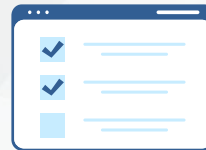
Single-Phase  
Compressor  
Start Kits



Engineering and  
Applications  
Division



Multiple  
Distribution  
Points



Real-Time  
Inventory  
Confirmation



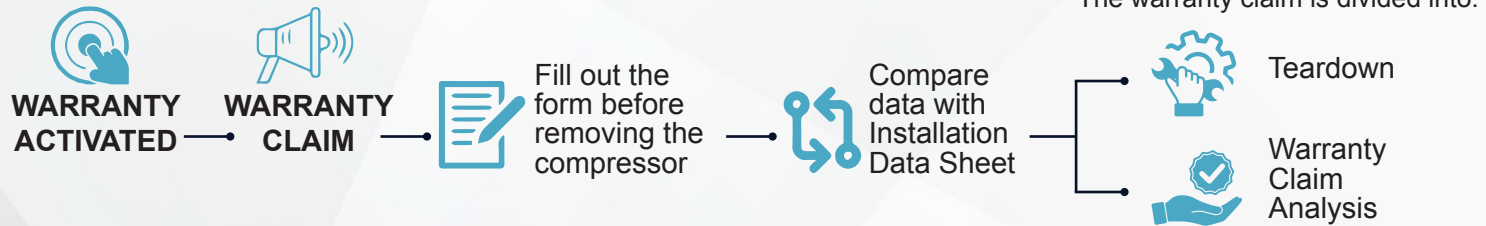
Shipping  
in 24-48 in  
Hours



Compressors  
are Individually  
Packaged

# INVOTECH WARRANTY

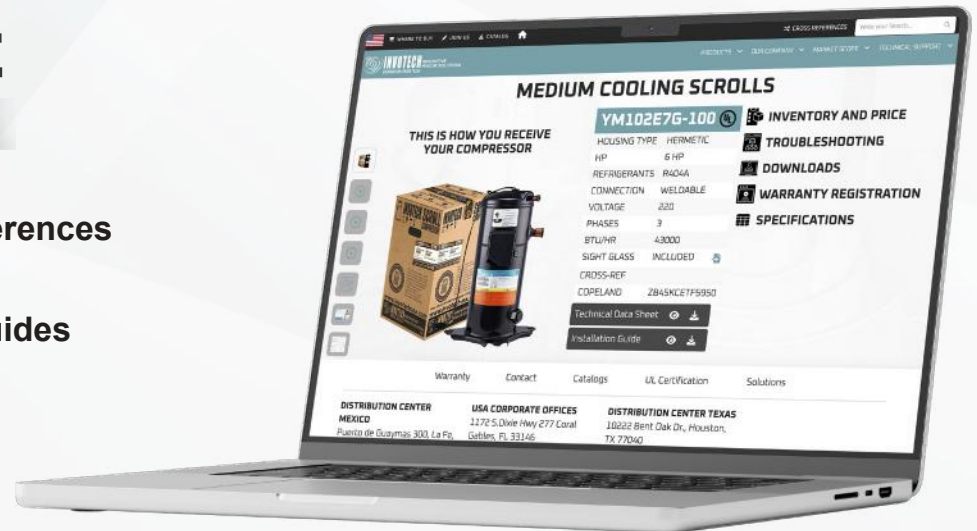
Invotech Distribution Center Texas offers a 12-month warranty on all compressors against manufacturing defects.



## VISIT OUR WEBSITE

[www.invotechtexas.com](http://www.invotechtexas.com)

-  **Features**
-  **Cross-References**
-  **Availability**
-  **Start-Up Guides**
-  **Warranty Registration**
-  **Promotions**



# DC INVERTER SCROLL COMPRESSORS

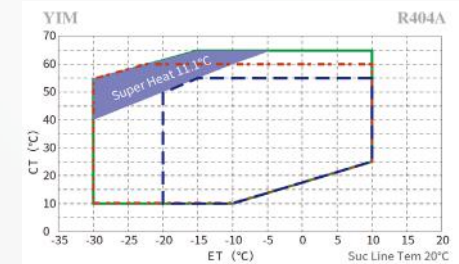
## FEATURES

- Energy saving, environmental protection, energy efficiency.
- Variable pressure ratio HVE exhaust valve is more suitable for wide evaporation and condensation temperatures.
- Perfect combination of EVI and inverter technology.
- Flexible design ensures the compressor is more suitable for bad operating conditions.



MEDIUM TEMPERATURE SINGLE PHASE				DISPLACEMENT cc/Rev	Capacity (W)	Power (W)	Cop (W/W)	Oil type
MODEL	VOLTAGE	PHASE	REF					
YIM38E2G-100	220V-50/60HZ	1	R-404A	38	6180	2575	2.40	POE 32
YIM50E2G-100	220V-50/60HZ	1	R-404A	50	7883	4019	1.96	POE 32
YIM60E2G-100	220V-50/60HZ	1	R-404A	60	9459	4777	1.98	POE 32

MID TEMP [Te = -4.7°C | Tc = 45°C | Tret = 18°C | Sc = 0°C]  
 MEDIUM X [Te = 20°F | Tc = 120°F | Tret = 65°F | Sc = 0°F]  
 Cooling Capacity 1200-7200RPM, rated speed: 4500RPM



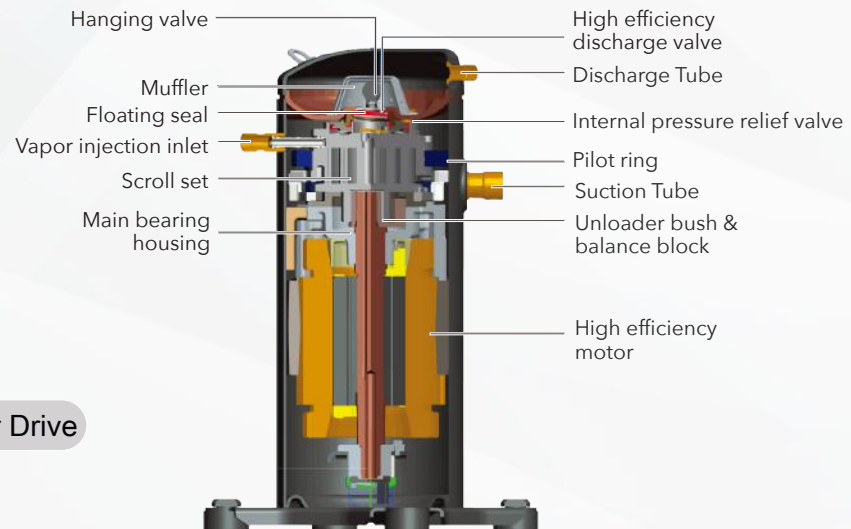
Reactor for Single-Tube  
BOOST-PFC



Communication  
Interface



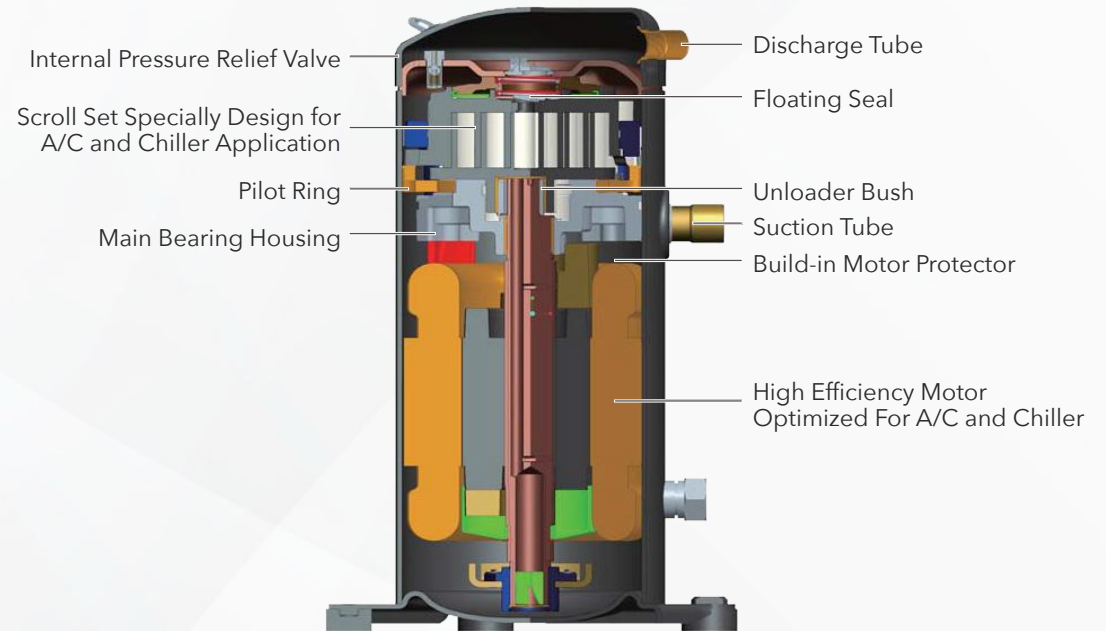
Inverter Drive



# YH SERIES SCROLL COMPRESSORS

Hermetic Scroll Compressors With Dual-Compliance for A/C and Chiller Applications.

- Precise Product-Definition Based On Customer's Needs
- Built-in Radius and Axial Compliance Design, with Improved Floating Seal Design for Better Energy Efficiency
- Excellent Discharge Temperature Management to Stretch the Operation Envelope
- Accurate Calculation of Load and Sealing Force for Running Sound Optimization
- High Efficiency Motor Design



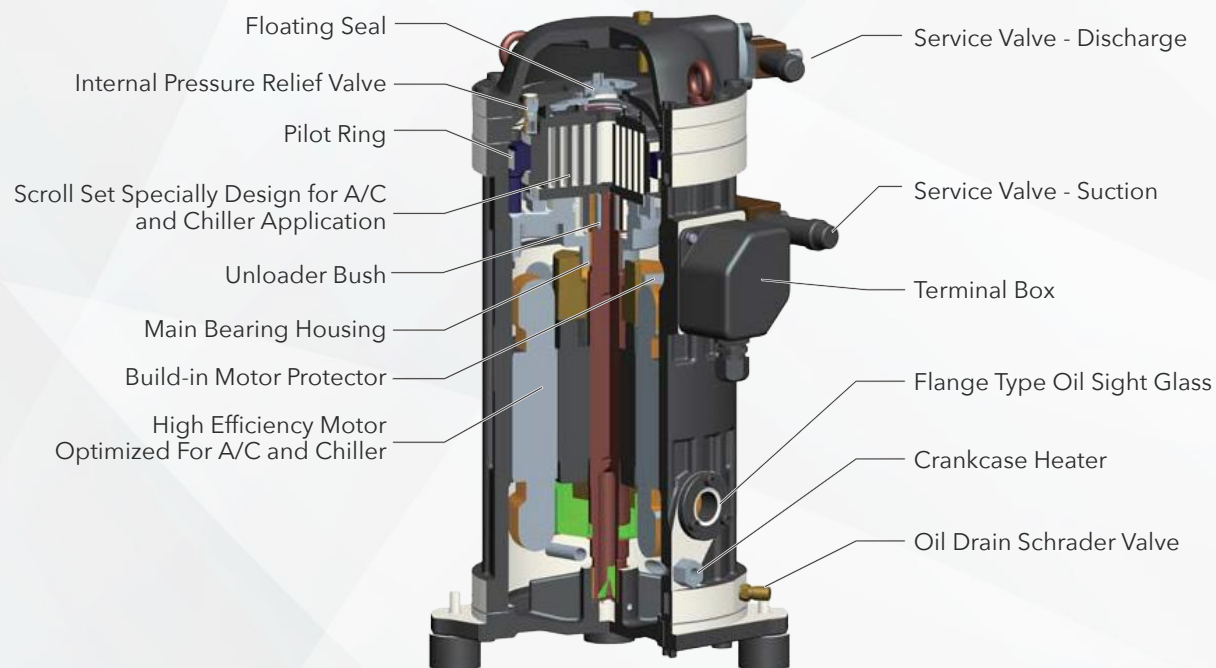
## FEATURES

- Optimized Design Compression Ratio
- Optimized Floating Seal Design for Better COP
- Multiple Internal Protections
  - High Pressure Protection
  - Overload Protection

# YSH SERIES SCROLL COMPRESSORS

Semi-Hermetic Scroll Compressors With Dual-Compliance

- Precise Product-Definition Based On Customer's Needs
- Built-in Radius and Axial Compliance Design, with Improved Floating Seal Design for Better Energy Efficiency
- Excellent Discharge Temperature Management to Stretch the Operation Envelope
- Accurate Calculation of Load and Sealing Force for Running Sound Optimization
- High Efficiency Motor Design
- Repairable



## R-410A A/C CHILLER

Model	HP	Voltage	Phases	MSRP	Cross Reference				
					Copeland	Panasonic	Danfoss	LG	Bitzer
YH95C3-100	3	220	1	\$723.18	ZP39K5E-PFV	C-SBP120HI6A	HRH049UI	ABA039KAA	
YH95C7-100	3	220	3	\$827.12	ZP39K5E-TF5	C-SBP120H36A	HRH040U2		
YH95C1-100	3	460	3	\$827.12	ZP39K5E-TFD	C-SBP120H39B	HRH040U4		
YH119C3-100	4	220	1	\$723.22	ZP49K5E-PFV	C-SBP140HI6A	HRH049UI	ABA051KAA	
YH119C7-210	4	220	3	\$827.91	ZP49K5E-TF5	C-SBP140H36A	HRH049U2	ABA051RAA	
YH119C1-100	4	460	3	\$827.91	ZP49K5E-TFD	C-SBP140H39B	HRH049U4	ABA051WAA	
YH128C3-210	4.5	220	1	\$753.57	ZP54K5E-PFV	C-SBP160HI6A	HRH054UI	ABA054KAA	
YH128C7-210	4.5	220	3	\$862.14	ZP54K5E-TF5	C-SBP160H36A	HRH054U2		
YH128C1-210	4.5	460	3	\$862.14	ZP154K5E-TFD	C-SBP160H39B	HRH054U4	ABA054WAA	
YH150C3-210	5	220	1	\$824.37	ZP61K5E-PFV				
YH150C7-210	5	220	3	\$943.59	ZP61KCE-TF5	C-SBP170H36A	HLH061T2	ABA061RAA	
YH150C1-210	5	460	3	\$1,166.09	ZP61KCE-TFD	C-SBN373H9F	HLH061T4		
YH175C7-210	6	220	3	\$1,019.45	ZP72KCE-TF5	C-SBP205H36A	HLJ072T2		
YH175C1-210	6	460	3	\$1,019.45	ZP72KCE-TFD	C-SBP205H39B	HLJ072T4		
YH183C7-210	7	220	3	\$1,088.09	ZP76KCE-TF5	C-SBP235H36A	HLJ075T2		
YH183C1-210	7	460	3	\$1,088.09	ZP76KCE-TFD	C-SBP235H39B	HLJ075T4	ARA073WAA	
YH200C7-210	7.5	220	3	\$1,350.00					
YH200C1-210	7.5	460	3	\$1,350.00					
YH230C7-210	8	220	3	\$1,551.08	ZP90KCE-TF5		HCJ090T2		
YH230C1-210	8	460	3	\$1,551.08	ZP90KCE-TFD		HCJ090T4		
YH266C7-210	9	220	3	\$1,679.09	ZP103KCE-TF5		HCJ105T2		
YH266C1-210	9	460	3	\$1,679.09	ZP103KCE-TFD		HCJ105T4		
YH292C7-210	10	220	3	\$1,817.09	ZP122KCE-TF5		HCJ120T2		
YH292C1-210	10	460	3	\$1,817.09	ZP122KCE-TFD		HCJ120T4	AG120WAA	GSD60120VA_4
YH325C7-100	11	230	3	\$2,317.78	ZP137KCE-TF5				
YH325C1-100	11	460	3	\$2,317.78	ZP137KCE-TFD				GSD60137VA_4
YH355C7-210	12	230	3	\$2,453.00			SH140-3		
YH355C1-210	12	460	3	\$2,453.00			SH140-4		
YSH400C1G-100	13	460	3	\$2,142.21	ZP154KCE-TFD		SH161-4	AG160WAA	GSD60154VA_4
YH450C1-105	15	460	3	\$2,280.21	ZP182KCE-TFD		SH184-4	AG184WAA	GSD60182VA_4
YSH450C1G-100	15	460	3	\$2,350.00					
YH610C1G-100	20	460	3	\$7,532.06					
YH720C1G-100	25	460	3	\$8,532.00					
YH880C1G-100	30	460	3	\$9,046.32					



## R-407C A/C CHILLER

Model	HP	Voltage	Phases	MSRP	Cross Reference					
					Copeland	Panasonic	Danfoss	LG	Bitzer	Tecumseh
YH69T3-100	2	230	1	\$642.72	ZR28K3E-PFV					
YH69T7-100	2	230	3	\$789.37	ZR28K3E-TF5					
YH69T1-100	2	460	3	\$789.37	ZR28K3E-TFD					
YH89T3-100	3	230	1	\$836.53	ZR36K3E-PFV		HRP034T1			
YH89T7-100	3	230	3	\$836.53	ZR36K3E-TF5	C-SBN263H6C				
YH89T1-100	3	460	3	\$836.53	ZR36K3E-TFD		HRP034T4			
YH104T3-100	3.5	230	1	\$855.92	ZR42K3E-PFV	C-SBS120H16A	HRP042T1			
YH104T7-100	3.5	230	3	\$855.92	ZR42K3E-TF5	C-SBN263H6B				
YH104T1-100	3.5	460	3	\$882.40	ZR42K3E-TFD	C-SBN263H8A	HRP042T4			
YH119T3-100	4	230	1	\$815.54	ZR48K3E-PFV					
YH119T7-100	4	230	3	\$984.49	ZR48K3E-TF5					
YH119T1-100	4	460	3	\$1,014.95	ZR48K3E-TFD		HRP047T4			
YH128T3-100	4.3	230	1	\$1,096.54	ZR52K3E-PFV	C-SBS145H16A	HRP051T1			
YH128T7-100	4.3	230	3	\$1,285.57	ZR52K3E-TF5	C-SBN303H6A	HRP051T2			
YH128T1-100	4.3	460	3	\$1,285.57	ZR52K3E-TFD	C-SBN303H8A	HRP051T4			
YH133T3-100	4.5	230	1	\$910.03	ZR54K3E-PFV					
YH133T7-100	4.5	230	3	\$1,066.90	ZR54K3E-TF5					
YH133T1-100	4.5	460	3	\$1,066.90	ZR54K3E-TFD					
YH140T3-100	4.6	230	1	\$976.82	ZR57K3E-PFV	C-SBS165H16A				
YH140T7-100	4.6	230	3	\$1,025.95	ZR57K3E-TF5	C-SBN353H6B				
YH140T1-100	4.6	460	3	\$1,025.95	ZR57K3E-TFD	C-SBN353H8A				
YH150T3-100	5	230	1	\$1,002.42	ZR61KCE-PFV		HRP060T1			
YH150T7-100	5	230	3	\$1,059.19	ZR61KCE-TF5	C-SBN373H6A	HRP060T2			
YH150T1-100	5	460	3	\$1,083.75	ZR61KCE-TFD	C-SBN373H8A	HRP060T4			
YH175T7-100	6	230	3	\$1,101.09	ZR72KCE-TF5	C-SBN453H6A	HLP072T2			
YH175T1-100	6	460	3	\$1,045.46	ZR72KCE-TFD	C-SBN453H8A	HLP072T4			
YH200T7-100	7	230	3	\$1,238.37	ZR81KCE-TF5		HLP081T2			
YH200T1-100	7	460	3	\$1,238.37	ZR81KCE-TFD	C-SBS235H38A	HLP081T4			
YH230T7-100	8	230	3	\$1,933.41	ZR94KCE-TF5		SZ100-3			
YH230T1-100	8	460	3	\$2,039.62	ZR94KCE-TFD	C-SCN583H8H	SZ100-4			
YH266T7-100	9	230	3	\$2,189.18	ZR108KCE-TF5		SZ110-3		ESH725Y-20S	
YH266T1-100	9	460	3	\$2,189.18	ZR108KCE-TFD	C-SCN673H8H	SZ110-4		ESH725Y-40S	
YH307T7-100	10	230	3	\$2,284.55	ZR125KCE-TF5		SZ120-3		ESH730Y-20S	
YH307TA-100	10	460	3	\$2,330.79	ZR125KCE-TFD	C-SCN753H8H	SZ120-4		ESH730Y-40S	
YH355T7-100	12	230	3	\$2,434.10	ZR144KCE-TF5		SZ148-3		ESH736Y-20S	
YH355T1-100	12	460	3	\$2,480.34	ZR144KCE-TFD		SZ148-4		ESH736-40S	
YSH400T1G-100	13	460	3	\$2,723.98	ZR160KCE-TFD		SZ161-4			
YSH450T1G-100	15	460	3	\$2,929.74	ZR190KCE-TFD		SZ185-4		ESH743Y-40S	

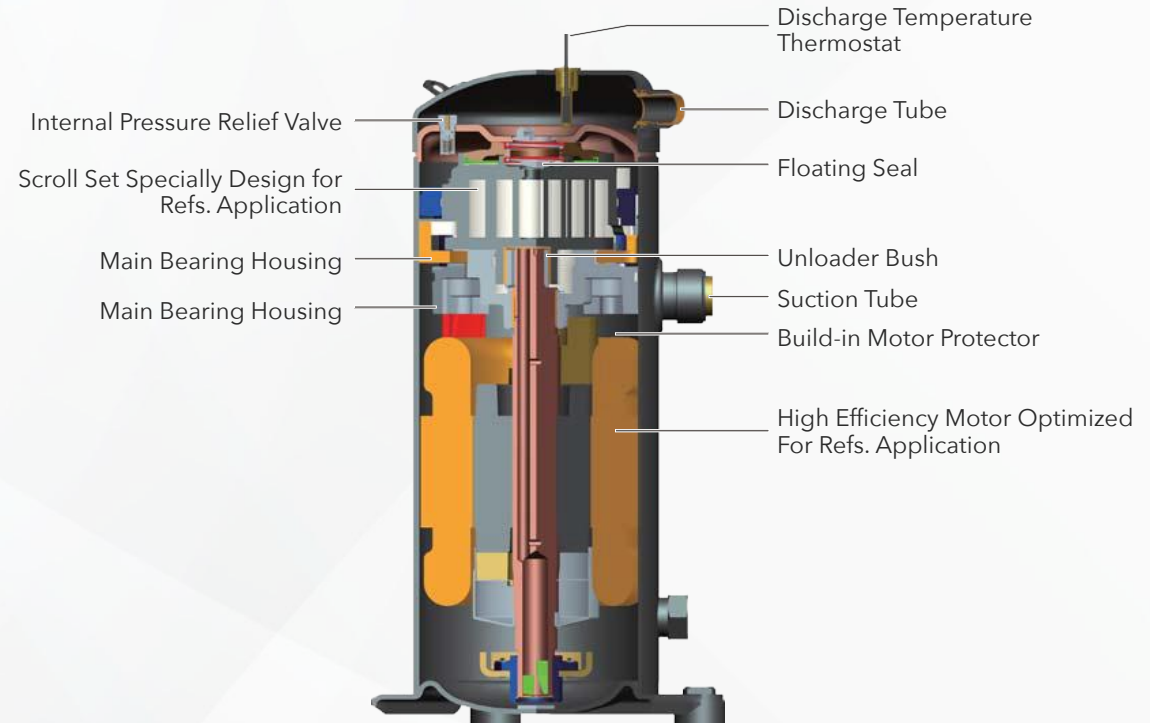
## R-22 A/C CHILLER

Model	HP	Voltage	Phases	MSRP	Cross Reference					
					Copeland	Panasonic	Danfoss	LG	Bitzer	Tecumseh
YH69A3-100	2	230	1	\$525.09	ZR28K3-PFV					
YH69A7-100	2	230	3	\$951.16	ZR28K3-TF5					
YH69A1-100	2	460	3	\$951.16	ZR28K3-TFD					
YH89A3-100	3	230	1	\$836.53	ZR36K3-PFV		HRM034UI	SQA038KAA		VSC5534ENA
YH89A7-100	3	230	3	\$1,024.43	ZR36K3-TF5	C-SB263H6C	HRM034U2	SQ036RAA		
YH89A1-100	3	460	3	\$1,024.43	ZR36K3-TFD	C-SB263H8B	HRM034T4			
YH104A3-100	3.5	230	1	\$764.10	ZR42K3-PFV	C-SBR120H16P	HRM042UI	SQA042KAA		VSC5542ENA
YH104A7-100	3.5	230	3	\$855.92	ZR42K3-TF5	C-SB263H6B	HRM042U2	SQ042RAA		
YH104A1-100	3.5	460	3	\$882.40	ZR42K3-TFD	C-SB263H8A	HRM042T4			
YH119A3-100	4	230	1	\$815.54	ZR48K3-PFV		HRM047UI			VSC5547ENA
YH119A7-100	4	230	3	\$984.49	ZR48K3-TF5		HRM047U2	SR049RAA		
YH119A1-100	4	460	3	\$1,014.95	ZR48K3-TFD		HRM047T4	SR049SAA		
YH128A3-100	4.3	230	1	\$1,096.54	ZR52K3-PFV	C-SBR145H16P	HRM051UI			
YH128A7-100	4.3	230	3	\$1,285.57	ZR52K3-TF5	C-SB303H6A	HRM051U2	SR053RAA		
YH128A1-100	4.3	460	3	\$1,285.57	ZR52K3-TFD	C-SB303H8A	HRM051T4			
YH133A3-100	4.5	230	1	\$910.03	ZR54K3-PFV		HRM054UI	SRA053KAA		VSC5554ENA
YH133A7-100	4.5	230	3	\$1,066.90	ZR54K3-TF5		HRM054U2			SFA5554EXT
YH133A1-100	4.5	460	3	\$1,066.90	ZR54K3-TFD		HRM054T4			SFA5554EXG
YH140A3-100	4.6	230	1	\$977.50	ZR57K3-PFV	C-SBR165H16P	HRM058UI			
YH140A7-100	4.6	230	3	\$1,026.59	ZR57K3-TF5	C-SB353H6B	HRM058U2	SR057RAA		SFA5558EXT
YH140A1-100	4.6	460	3	\$1,026.59	ZR57K3-TFD	C-SB353H8A	HRM058U4			SFA5558EXG
YH150A3-100	5	230	1	\$1,002.42	ZR61KC-PFV	C-SBR180H16N	HRM060UI			VSC5560ENA
YH150A7-100	5	230	3	\$1,058.77	ZR61KC-TF5	C-SB373H6A	HRM060U2	SR061RBA		SFA5560EXT
YH150A1-100	5	460	3	\$1,084.39	ZR61KC-TFD	C-SB373H8A	HRM060T4	SR061SAA		SFA5560EXG
YH175A7-100	6	230	3	\$1,045.77	ZR72KC-TF5	C-SB453H6A	HLM072T2	SR071RAC		SFA5572EXT
YH175A1-100	6	460	3	\$1,045.77	ZR72KC-TFD	C-SB453H8A	HLM072T4	SR073SAA		SFA5572EXG
YH200A7-100	7	230	3	\$1,238.70	ZR81KC-TF5	C-SBR235H36A	HLM081T2	SR081RAA		SFA5581EXT
YH200A1-100	7	460	3	\$1,238.70	ZR81KC-TFD	C-SBR235H38A	HLM081T4	SR081SAA		SFA5581EXG
YH230A7-100	8	230	3	\$1,933.41	ZR94KC-TF5	C-SC583H6H	SM100-3			SFA5594EXT
YH230A1-100	8	460	3	\$1,993.74	ZR94KC-TFD	C-SC583H8H	SM100-4			SFA5594EXG
YH266A7-100	9	230	3	\$2,143.69	ZR108KC-TF5	C-SC673H6H	SM110-3		ESH725-20S	SFA5611EXT
YH266A1-100	9	460	3	\$2,143.69	ZR108KC-TFD	C-SC603H8H	SM110-4		ESH725-40S	SFA5611EXG
YH307A7-100	10	230	3	\$2,284.91	ZR125KC-TF5	C-SC753H6H	SM120-3		ESH730-20S	SFA5612EXT
YH307A1-100	10	460	3	\$2,284.91	ZR125KC-TFD	C-SC753H8H	SM120-4		ESH730-40S	SFA5612EXG
YH355A7-100	12	230	3	\$2,434.68	ZR144KC-TF5	C-SC903H6H	SM148-3		ESH736-20S	SFA5615EXT
YH355A1-100	12	460	3	\$2,434.68	ZR144KC-TFD		SM148-4		ESH736-40S	SFA5615EXG
YSH400A1G-100	13	460	3	\$2,723.98	ZR160KC-TFD		SM161-4			
YSH450A1G-100	15	460	3	\$2,929.91	ZR190KC-TFD		SM185-4		ESH743-40S	

# YM SERIES SCROLL COMPRESSORS

Scroll Compressors With Dual-Compliance For Medium Temperature Application

- Precise Product-Definition Based On Customer's Needs
- Built-in Radius and Axial Compliance Design, with Improved Floating Seal Design for Better Energy Efficiency
- Excellent Discharge Temperature Management to Stretch the Operation Envelope
- Accurate Calculation of Load and Sealing Force for Running Sound Optimization
- High Efficiency Motor Design



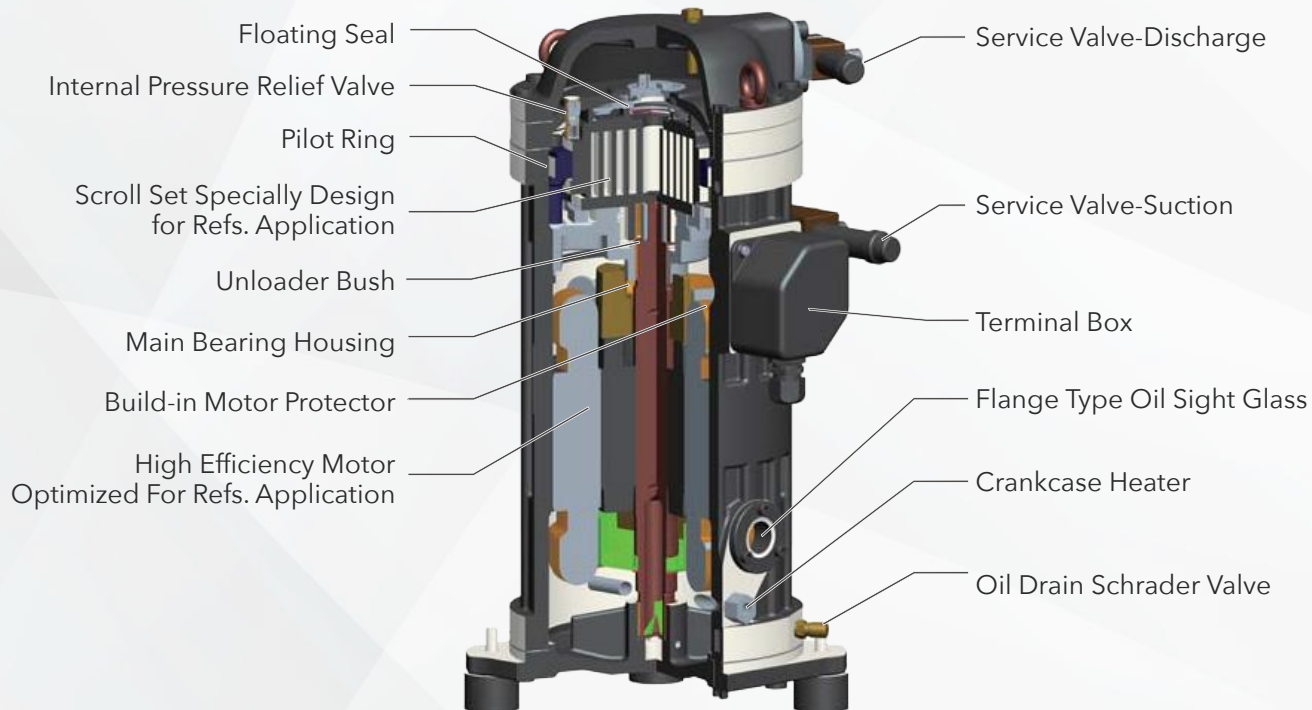
## FEATURES

- Capable of Running as low as  $-15^{\circ}\text{C}$  Evap. Temp. Without Liquid/Vapor Injection
- Optimized Floating Seal Design for Better COP
- Scroll Design of Higher Build-in Compression Ratio For Refs. Application
- Multiple Internal Protections
  - High Pressure Protection
  - Overload Protection

# YSM SERIES SCROLL COMPRESSORS

Scroll Compressors With Dual-Compliance For Medium Temperature Application

- Precise Product-Definition Based On Customer's Needs
- Built-in Radius and Axial Compliance Design, with Improved Floating Seal Design for Better Energy Efficiency
- Excellent Discharge Temperature Management to Stretch the Operation Envelope
- Accurate Calculation of Load and Sealing Force for Running Sound Optimization
- High Efficiency Motor Design
- Repairable



## R-404A REFRIGERATION MEDIUM TEMPERATURE

Model	HP	Voltage	Phases	MSRP	Cross Reference					
					Copeland	Panasonic	Danfoss	LG	Bitzer	Tecumseh
YM34E3G-100	2	220	1	\$1,496.30	ZB15KCE-PFV		MLZ015T1			
YM34E7G-100	2	220	3	\$1,502.08	ZB15KCE-TF5		MLZ015T2		2GES-2Y	
YM34E1G-100	2	460	3	\$1,560.60	ZB15KCE-TFD		MLZ015T4		2GES-2Y	
YM43E3G-100	2.5	220	1	\$1,503.52	ZB19KCE-PFV		MLZ019T1			
YM43E7G-100	2.5	220	3	\$1,567.83	ZB19KCE-TF5		MLZ019T2		2FES-3Y	
YM43E1G-100	2.5	460	3	\$1,626.35	ZB19KCE-TFD		MLZ019T4		2FES-3Y	
YM49E3G-100	3	220	1	\$1,627.79	ZB21KCE-PFV		MLZ021T1			
YM49E7G-100	3	220	3	\$1,692.10	ZB21KCE-TF5		MLZ021T2			SFA7525ZXT
YM49E1G-100	3	460	3	\$1,692.10	ZB21KCE-TFD		MLZ021T4			SFA7525ZXG
YM60E3G-100	3.5	220	1	\$1,745.56	ZB26KCE-PFV					
YM60E7G-100	3.5	220	3	\$1,745.56	ZB26KCE-TF5					
YM70E3G-100	4	220	1	\$1,737.00	ZB29KCE-PFV		MLZ030T1			
YM70E7G-100	4	220	3	\$1,737.61	ZB29KCE-TF5		MLZ030T2		2DES-3Y	SFA7530ZXT
YM70E1G-100	4	460	3	\$1,737.61	ZB29KCE-TFD		MLZ030T4		2DES-3Y	SFA7530ZXG
YM86E3G-100	5	220	1	\$1,747.73	ZB38KCE-PFV		MLZ038T1			
YM86E7G-100	5	220	3	\$1,812.03	ZB38KCE-TF5		MLZ038T2		2CES-4Y	SFA7536ZXT
YM86E1G-100	5	460	3	\$1,812.03	ZB38KCE-TFD		MLZ038T4		2CES-4Y	SFA7536ZXG
YM102E7G-100	6	220	3	\$1,871.28	ZB45KCE-TF5		MLZ045T2		4FES-5Y	
YM102E1G-100	6	460	3	\$1,929.80	ZB45KCE-TFD		MLZ045T4		4FES-5Y	
YM125E7G-100	7.5	220	3	\$1,917.52	ZB50KCE-TF5				4EES-6Y	
YM125E1G-100	7.5	460	3	\$1,917.52	ZB50KCE-TFD				4EES-6Y	
YM132E7G-100	8	220	3	\$1,994.10	ZB58KCE-TF5		MLZ058T2			
YM132E1G-100	8	460	3	\$1,994.10	ZB58KCE-TFD		MLZ058T4			
YM158E7G-100	9	220	3	\$2,070.69	ZB66KCE-TF5		MLZ066T2			
YM158E1G-100	9	460	3	\$2,070.69	ZB66KCE-TFD		MLZ066T4			
YM182E7G-100	10	220	3	\$2,223.86	ZB76KCE-TF5		MLZ076T2		4VES-10Y	
YM182E1G-100	10	460	3	\$2,223.86	ZB76KCE-TFD		MLZ076T4		4VES-10Y	
YM200E7G-100	12	220	3	\$2,576.00						
YM200E1G-100	12	460	3	\$2,576.00						
YM210E7G-100	12.5	220	3	\$3,216.57	ZB95KCE-TE5		SZ148-3		4TES-12Y	
YM210E1G-100	12.5	460	3	\$3,216.57			SZ148-4		4TES-12Y	
YSM235E7G-100	13	230	3	\$3,740.30						
YSM235E1G-100	13	460	3	\$3,740.38	ZB95KQE-TFD		SZ161-4			
YSM260E1G-100	15	460	3	\$3,446.33	ZB114KQE-TFD		SZ185-4		4PES-15Y	
YM350E1G-100	20	460	3	\$4,500.00						
YM410E1G-100	25	460	3	\$5,200.00						

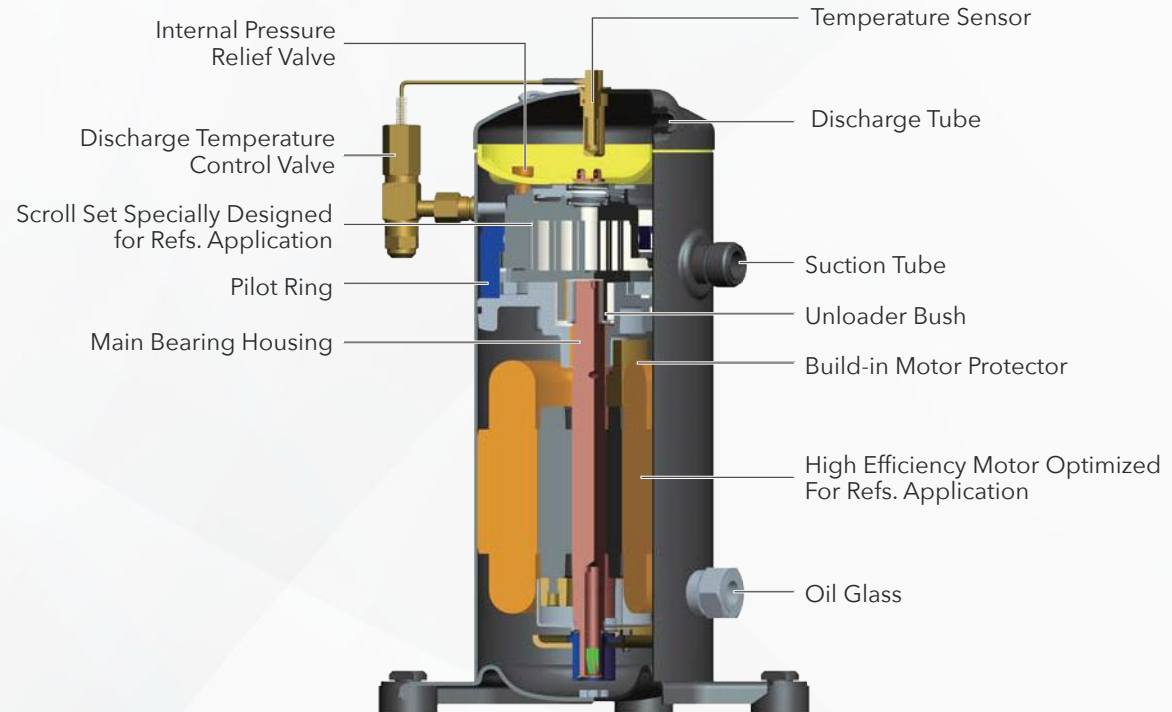
## R-22 REFRIGERATION MEDIUM TEMPERATURE

Model	HP	Voltage	Phases	MSRP	Cross Reference					
					Copeland	Panasonic	Danfoss	LG	Bitzer	Tecumseh
YM34A3G-100	2	230	1	<b>\$1,832.91</b>	ZB15KC-PFV					
YM34A7G-100	2	230	3	<b>\$1,502.27</b>	ZB15KC-TF5				2GES-2	TFH4531F-K
YM34A1G-100	2	460	3	<b>\$1,911.61</b>	ZB15KC-TFD				2GES-2	
YM43A3G-100	2.5	230	1	<b>\$1,626.70</b>	ZB19KC-PFV		MLM19T1			
YM43A7G-100	2.5	230	3	<b>\$1,626.70</b>	ZB19KC-TF5		MLM019T2		2FES-3	
YM43A1G-100	2.5	460	3	<b>\$1,920.03</b>	ZB19KC-TFD		MLM019T4		2FES-3	
YM49A3G-100	3	230	1	<b>\$2,142.10</b>	ZB21KC-PFV		MLM021T1			
YM49A7G-100	3	230	3	<b>\$1,692.15</b>	ZB21KC-TF5		MLM021T2			TFH4540F-K
YM49A1G-100	3	460	3	<b>\$1,692.15</b>	ZB19KC-TFD		MLM021T4			
YM70A3G-100	4	230	1	<b>\$1,737.95</b>	ZB29KC-PFV		MLM030T1			
YM70A7G-100	4	230	3	<b>\$1,737.95</b>	ZB29KQ-TF5		MLM030T2		2DES-3	TAG4561T-K
YM70A1G-100	4	460	3	<b>\$1,737.95</b>	ZB29KC-TFD		MLM030T4		2DES-3	
YM86A3G-100	5	230	1	<b>\$1,748.38</b>	ZB38KC-PFV		MLM038T1			
YM86A7G-100	5	230	3	<b>\$1,870.85</b>	ZB38KC-TF5		MLM038T2		2CES-4	TAG4573T-K
YM86A1G-100	5	460	3	<b>\$1,870.85</b>	ZB38KC-TFD		MLM038T4		2CES-4	
YM102A7G-100	6	230	3	<b>\$1,871.76</b>	ZB45KC-TF5		MLM045T2		4FES-5	
YM102A1G-100	6	460	3	<b>\$1,930.51</b>	ZB45KC-TFD		MLM045T4		4FES-5	
YM125A7G-100	7.5	230	3	<b>\$1,917.64</b>	ZB50KC-TF5				4EES-6	
YM125A1G-100	7.5	460	3	<b>\$1,917.64</b>	ZB50KC-TFD				4EES-6	
YM132A7G-100	8	230	3	<b>\$1,994.40</b>	ZB58KC-TF5		MLM058T2			
YM132A1G-100	8	460	3	<b>\$3,198.16</b>	ZB58KC-TFD		MLM058T4			
YM158A7G-100	9	230	3	<b>\$2,071.12</b>	ZB66KC-TF5		MLM066T2			
YM158A1G-100	9	460	3	<b>\$2,071.12</b>	ZB66KC-TFD		MLM066T4			
YM182A7G-100	10	230	3	<b>\$2,224.53</b>	ZB76KC-TF5		MLM076T2		4VES-10	
YM182A1G-100	10	460	3	<b>\$2,224.53</b>	ZB76KC-TFD		MLM076T4		4VES-10	
YM200A7G-100	12	230	3	<b>\$2,377.91</b>	ZB88KC-TF5					
YM200A1G-100	12	460	3	<b>\$2,377.91</b>	ZB88KC-TFD					
YM210A7G-100	12.5	230	3	<b>\$3,740.70</b>	ZB95KC-TE5		SM148-2		4TES-12Y	
YM210A1G-100	12.5	460	3	<b>\$2,310.44</b>			SM148-4		4TES-12Y	
YSM235A1G-100	13	460	3	<b>\$3,216.56</b>	ZB95KQ-TFD		SM161-4			
YSM260A1G-100	15	460	3	<b>\$4,180.20</b>	ZB114KQ-TFD		SM185-4		4PES-15Y	

# YF SERIES SCROLL COMPRESSORS

Scroll Compressors With Dual-Compliance  
For Low Temp. Application

- Precise Product-Definition Based On Customer's Needs
- Built-in Radius and Axial Compliance Design, with Improved Floating Seal Design for Better Energy Efficiency
- Excellent Discharge Temperature Management to Stretch the Operation Envelope
- Accurate Calculation of Load and Sealing Force for Running Sound Optimization
- High Efficiency Motor Design



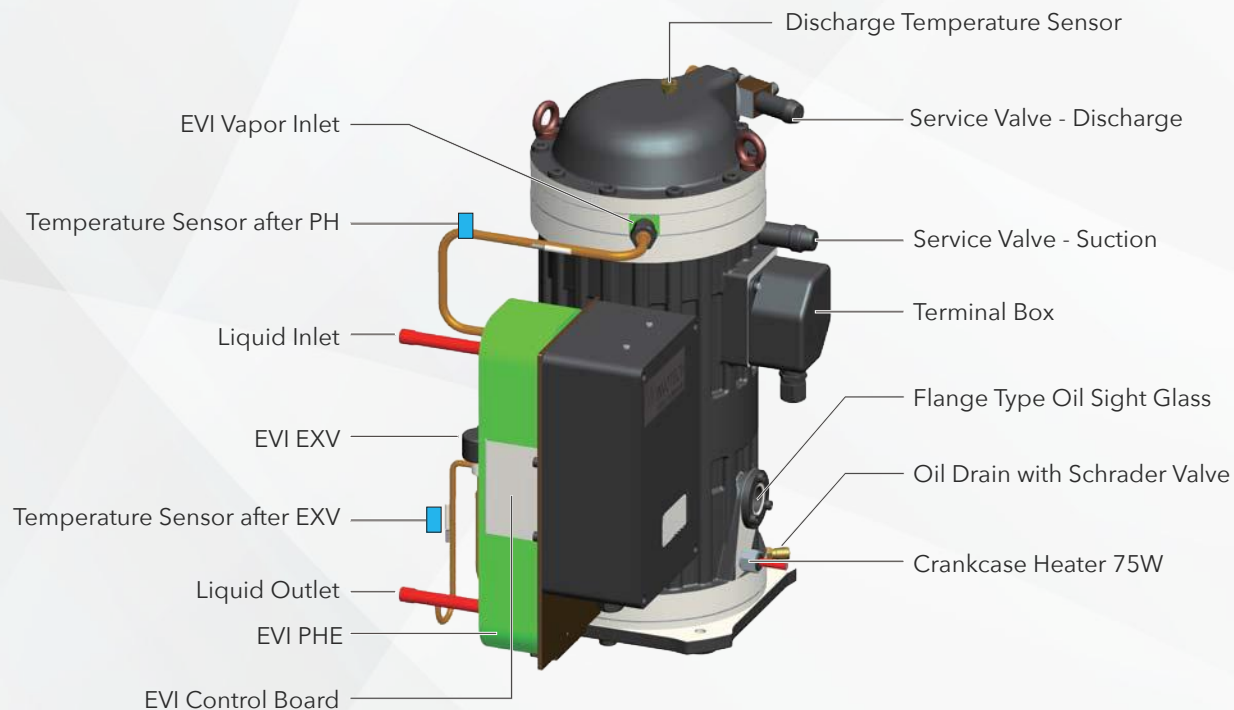
## FEATURES

- Capable of Running as low as  $-40^{\circ}\text{C}$  Evap. Temp.
- 20% Better in Terms of COP Than Similar Products in The Market
- Truly Specific Scroll Design For Refs. Application
- Optimized Floating Seal Design for Better COP
- Multiple Internal Protections
  - High Pressure Protection
  - Overload Protection

# YSF SERIES SCROLL COMPRESSORS

## Semi-Hermetic Refrigeration Scroll Compressor

- Precise Product-Definition Based On Customer's Needs
- Built-in Radius and Axial Compliance Design, with Improved Floating Seal Design for Better Energy Efficiency
- Excellent Discharge Temperature Management to Stretch the Operation Envelope
- Accurate Calculation of Load and Sealing Force for Running Sound Optimization
- High Efficiency Motor Design
- Integrated Vapor Injection and Controller
- Evaporating Temperature capable of running as low as  $-40^{\circ}\text{C}$
- Field Repairable





## R-404A REFRIGERATION LOW TEMPERATURE

Model	HP	Voltage	Phases	MSRP	Cross Reference					
					Copeland	Panasonic	Danfoss	LG	Bitzer	Tecumseh
YF13E3G-Q100	2	230	1	<b>\$1,581.55</b>	ZF06K4E-PFV					
YF13E7G-Q100	2	230	3	<b>\$1,631.41</b>	ZF06K4E-TF5				2FES-2Y	
YF13E1G-Q100	2	460	3	<b>\$1,631.41</b>	ZF06K4E-TFD				2FES-2Y	
YF17E3G-Q100	2.5	230	1	<b>\$1,643.69</b>	ZF08K4E-PFV		NTZ068-1			
YF17E7G-Q100	2.5	230	3	<b>\$1,693.54</b>	ZF08K4E-TF5				2EES-2Y	
YF17E1G-Q100	2.5	460	3	<b>\$1,734.72</b>	ZF08K4E-TFD				2EES-2Y	
YF20E3G-Q100	3	230	1	<b>\$1,708.53</b>	ZF09K4E-PFV		NTZ096-1			
YF20E7G-Q100	3	230	3	<b>\$1,799.03</b>	ZF09K4E-TF5		LLZ013T2		2DES-2Y	
YF20E1G-Q100	3	460	3	<b>\$1,758.57</b>	ZF09K4E-TFD		LLZ013T4		2DES-2Y	
YF29E3G-Q100	4	230	1	<b>\$1,856.83</b>	ZF13K4E-PFV		NTZ0108-1			
YF29E7G-Q100	4	230	3	<b>\$1,907.40</b>	ZF13K4E-TF5		LLZ015T2		4FES-3Y	
YF29E1G-Q100	4	460	3	<b>\$1,866.22</b>	ZF13K4E-TFD		LLZ015T4		4FES-3Y	
YF35E3G-Q100	5	230	1	<b>\$1,848.88</b>	ZF15K4E-PFV		NTZ136T-1			
YF35E7G-Q100	5	230	3	<b>\$1,900.18</b>	ZF15K4E-TF5		LLZ018T2		4EES-4Y	
YF35E1G-Q100	5	460	3	<b>\$1,900.18</b>	ZF15K4E-TFD		LLZ018T4		4EES-4Y	
YF41E7G-Q100	6	230	3	<b>\$1,968.81</b>	ZF18K4E-TF5				4DES-5Y	
YF41E1G-Q100	6	460	3	<b>\$2,010.00</b>	ZF18K4E-TFD		LLZ024T4		4DES-5Y	
YSF60E7G-V100	7	230	3	<b>\$2,734.76</b>	ZF18KVE-TF5-EVI				4CES-6Y	
YSF60E1G-V100	7	460	3	<b>\$2,734.76</b>	ZF18KVE-TFD-EVI				4CES-6Y	
YSF65E7G-V100	8	230	3	<b>\$2,956.00</b>					4TES-9Y	
YSF65E1G-V100	8	460	3	<b>\$2,956.00</b>					4TES-9Y	
YSF75E7G-V100	9	230	3	<b>\$3,189.82</b>	ZF25K5E-TF5-EVI				4PES-12Y	
YSF75E1G-V100	9	460	3	<b>\$5,269.60</b>	ZF25KVE-TFD-EVI				4PES-12Y	
YSF85E7G-V100	10	230	3	<b>\$5,264.89</b>					4NES-14Y	
YSF85E1G-V100	10	460	3	<b>\$5,264.89</b>	ZF28KVE-TFD-EVI				4NES-14Y	
YSF90E7G-V100	12	230	3	<b>\$8,229.01</b>						
YSF90E1G-V100	12	460	3	<b>\$8,229.01</b>	ZF33KVE-TWD-EVI					
YSF100E7G-V100	13	230	3	<b>\$8,534.00</b>					4JE-15Y	
YSF100E1G-V100	13	460	3	<b>\$8,534.00</b>					4JE-15Y	
YSF125E1G-V100	15	460	3	<b>\$8,999.46</b>	ZF40KVE-TW7-EVI				4HE-18Y	

## R-22 REFRIGERATION LOW TEMPERATURE

Model	HP	Voltage	Phases	MSRP	Cross Reference					
					Copeland	Panasonic	Danfoss	LG	Bitzer	Tecumseh
YF13A3G-Q100	2	230	1	\$1,582.11	ZF06K4-PFV					
YF13A7G-Q100	2	230	3	\$1,672.88	ZF06K4-TF5				2FES-2	
YF13A1G-Q100	2	460	3	\$2,048.32	ZF06K4-TFD				2FES-2	
YF17A3G-Q100	2.5	230	1	\$1,643.95	ZF08K4-PFV					
YF17A7G-Q100	2.5	230	3	\$1,694.06	ZF08K4-TF5				2EES-2	
YF20A3G-Q100	3	230	1	\$1,708.53	ZF09K4-PFV					
YF20A7G-Q100	3	230	3	\$1,799.60	ZF09K4-TF5				2DES-2	
YF20A1G-Q100	3	460	3	\$1,799.60	ZF09K4-TFD				2DES-2	
YF29A3G-Q100	4	230	1	\$1,815.30	ZF13K4-PFV					
YF29A7G-Q100	4	230	3	\$1,908.05	ZF13K4-TF5				4FES-3	
YF29A1G-Q100	4	460	3	\$1,908.05	ZF13K4-TFD				4FES-3	
YF35A3G-Q100	5	230	1	\$1,849.43	ZF15K4-PFV					
YF35A7G-Q100	5	230	3	\$1,942.19	ZF15K4-TF5				4EES-4	
YF35A1G-Q100	5	460	3	\$1,942.19	ZF15K4-TFD				4EES-4	
YF41A7G-Q100	6	230	3	\$1,968.81	ZF18K4-TF5				4DES-5	
YF41A1G-Q100	6	460	3	\$2,010.49	ZF18K4-TFD				4DES-5	
YSF60A7G-V100	7	230	3	\$5,347.83	ZF24K4-TWC				4CES-6	
YSF60A1G-V100	7	460	3	\$5,347.83	ZF24K4-TWD				4CES-6	
YSF65A7G-V100	8	230	3	\$6,231.00					4TES-9	
YSF65A1G-V100	8	460	3	\$6,231.00					4TES-9	
YSF75A7G-V100	9	230	3	\$7,051.68	ZF33K4-TWC				4PES-12	
YSF75A1G-V100	9	460	3	\$8,228.55	ZF33K4-TWD				4PES-12	
YSF85A7G-V100	10	230	3	\$7,680.69	ZF40K4-TWC				4NES-14	
YSF85A1G-V100	10	460	3	\$9,000.54	ZF40K4-TWD				4NES-14	
YSF90A7G-V100	12	230	3	\$9,100.54						
YSF90A1G-V100	12	460	3	\$9,100.54						
YSF100A7G-V100	13	230	3	\$7,073.41	ZF48K4-TWC				4JE-15	
YSF100A1G-V100	13	460	3	\$9,778.32	ZF48K4-TWD				4JE-15	
YSF125A1G-V100	15	460	3	\$9,800.50					4HE-18	

# ACCESSORIES, PARTS AND COMPONENTS



## FEMALE ROTALOCK THREAD

MODEL	DESCRIPTION	MSRP
100-0060-00	1/2" WELDING TO 1" SCRW PORT	\$12.00
100-0060-01	7/8" WELDING PORT TO 1 1/4" PORT	\$14.00
100-0060-02	1 1/8" TO 1 3/4" WELDING PORT	\$16.00

**ORIGINAL MANUFACTURER ACCESSORY**



## ROTALOCK VALVES

MODEL	DESCRIPTION	DISCHARGE VALVE	SUCTION VALVE	MSRP
100-0059-00	3/4"-16UNF + 1/2"ODS	2-7HP	N/A	\$18.00
100-0035-00	1 1/4"-12UNF + 7/8"ODS	8-12HP	2-7HP	\$22.00
100-0037-00	1 3/4"-12UN + 1 1/8"ODS	8-12HP	2-7HP	\$30.00

**ORIGINAL MANUFACTURER ACCESSORY**



## CRANKCASE HEATERS

MODEL	DESCRIPTION	VOLTAGE	MSRP
100-0033-00	Carter plataform heater 5HP	70W/220V	\$20.00
100-0034-00	Carter plataform heater 10HP	90W/220V	\$25.00

**ORIGINAL MANUFACTURER ACCESSORY**



## DTC VALVE FOR YF13\*\*\*Q\*\*\* - YF80\*\*\*Q\*\*\*

MODEL	DESCRIPTION	MSRP
13100-0002-01-0	For 2HP-10HP platforms	\$190.00

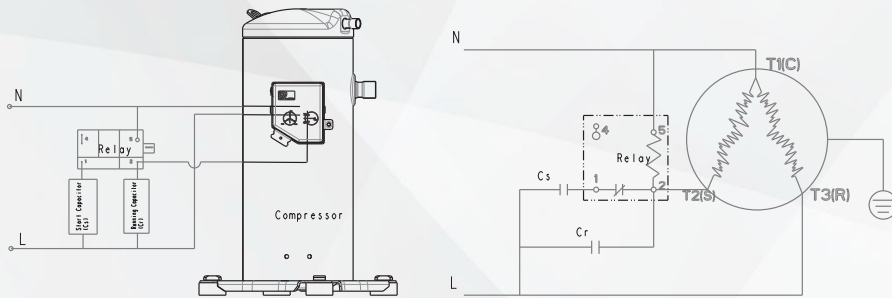
**ORIGINAL MANUFACTURER ACCESSORY**

# ACCESSORIES, PARTS AND COMPONENTS

## STARTING KITS

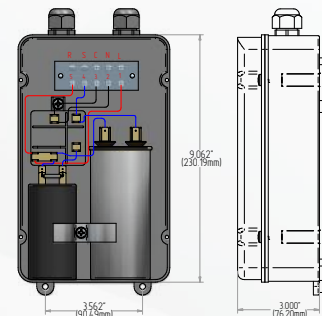
MODEL	COMPRESSOR	START CAPACITOR (Cs)		RUNNING CAPACITOR (Cr)		RELAY	MARKET SUGGESTED RETAIL PRICE
		Volume (uF)	Voltage (V)	Volume (uF)	Voltage (V)		
110-0076-00	YW75A(T)2~YW80A(T)2*~**** YW38J2~YW55J2*~**** YW75C2*~**** YH69A(T)2~YH89A(T)2*~**** YM34A(E)2~YM49A(E)2*~**** YMI3A(E)2~YM20A(E)2*~****	160	330	60	450	HLR3800-3E3D	\$30.00
110-0076-01	YWI02A(T)2~YWI10A(T)2*~**** YW80J2*~**** YWI10C2*~**** YH95C3*~**** YHI04A(T)2*~**** YHI04A(T)2~YHI28A(T)2*~**** YM60A(E)2~YM70A(E)2*~**** YF29A(E)2*~**** YF29A(E)3*~****	250	330	80	450	HLR3800-3H3D	\$30.00
110-0076-02	YM34A(E)3~YM49A(E)3*~**** YFI3A(E)3~YF20A(E)3*~**** YW38J3~YW55J3*~**** YH69A(T)3~YH89A(T)3*~****	160	330	60	450	HLR3800-4A3D	\$30.00
110-0076-10	YWI152A(T)2*~**** YWI152C2*~**** YWI35C2*~**** YWI35A(T)2*~**** YF35A(E)2/3*~**** YH119A(T)3~YH150A(T)3-100 YH119C2(3)~YH150C2(3)-100 YM86A(E)2*~**** YM70A(E)3~YM86A(E)3*~****(E)	250	330	100	500	HLR3800-3F3C	\$30.00

## ORIGINAL MANUFACTURER ACCESSORY



### NOTE:

1. RUNNING CAPACITOR, START CAPACITOR & Relay CONNECT TO COMPRESSOR ACCORDING TO WIRING DIAGRAM OTHERWISE, THE COMPRESSOR STARTING DIFFICULTIES;
2. NUMBERS( 1, 2, 4, 5) Maked ON RELAY COULD BE FOUND ON PHYSICAL PART;



100-0024-02 Starting Capacitor 60uF  
100-0024-03 Starting Capacitor 80uF



# DISCOVER OUR NEW SCROLLS



## 14 FRAME PLATFORM

- ❄ Refrigerant R410A
- ⚙ Capacity 40~50Ton
- ⚡ Voltage 380V/50Hz, 460V/60Hz



COMING SOON...

## LARGE DC INVERTER

- ❄ Refrigerant R410A, R290, R32
- ⚙ Disp. 130cc~170cc
- ⚡ Voltage 380V/50Hz



## 2-STEP PLATFORM

- ❄ Refrigerant R454B
- ⚙ Capacity 20~30Kw
- ⚡ Voltage 230V/60Hz, 460V/60Hz



## 53 FR PLATFORM

- ❄ Refrigerant R404A
- ⚙ Capacity 1-3.5 Ton HP
- ⚡ Voltage 280~230V/60Hz
- ⚙ 2-Step Compatible
- ⚙ Variable Speed Compatible



# INVOTECH

INNOVATIVE  
HVAC/R SOLUTIONS  
DISTRIBUTION CENTER TEXAS

Product Catalog



Distribution Center Texas  
10222 Bent Oak Dr., Houston, TX 77040  
(800) 579-6197 | [www.invotechtexas.com](http://www.invotechtexas.com)



DOWNLOAD THE  
APP AND REGISTER

