



ET-2242

PET-2242

Ethernet I/O Module with 16-ch DO

Features

- Web Server for Configuration
- Support Modbus TCP/UDP, MQTT, and SNMP V2c Protocols
- 2-port Ethernet Switch (LAN Bypass) for Daisy-chain Wiring
- Supports Dual-watchdog
- I/O Pair Connection (Push and Pull)
- Built-in I/O
 - 16-ch DO (Sink)
- LED Display to Indicate the I/O Status



Introduction

ET-2242/PET-2242 is a 16-channel digital output (Sink-type) module. Each channel provides photocoupler isolation and short circuit protection, capable of driving a 650 mA load. The module includes a built-in 2-port Ethernet switch, facilitating a daisy-chain topology. This feature offers flexibility in device configuration, simplifies installation, and reduces infrastructure costs. Additionally, the module provides EMS (EFT/ESD/Surge) protection and 3000 VDC I/O isolation to enhance noise protection capabilities in industrial environments. It also offers configurable DO power-on value and safe value settings.

System Specifications

Model	ET-2242	PET-2242
Software		
Built-in Web Server	Yes	
CPU Module		
CPU	32-bit ARM	
Watchdog Timer	Module, Communication (Programmable)	
Isolation		
2-way Isolation	Ethernet: 1500 VDC, I/O: 3000 VDC	I/O: 3000 VDC
EMS Protection		
EFT (IEC 61000-4-4)	±4 kV for Power Line	
ESD (IEC 61000-4-2)	±8 kV Contact for Each Terminal, ±16 kV Air for Random Point	
Surge (IEC 61000-4-5)	±3 kV for Power Line	
LED Indicators		
Status	Run, Ethernet, I/O	Run, Ethernet, I/O, PoE
Ethernet		
Ports	2 x RJ-45, 10/100 Base-Tx, Switch Ports	
PoE	-	Yes
LAN bypass	Yes	
Access Control	Password and IP Filter	
Protocol	Modbus TCP, Modbus UDP, MQTT, SNMP V2c	
Power		
Reverse Polarity Protection	Yes	
Consumption	3.5 W (max.)	4.1 W (max.)
Powered from PoE	-	IEEE 802.3af, Class2
Powered from Terminal Block	+10 ~ +30 VDC	+10 ~ +48 VDC
Mechanical		
Casing	Plastic	
Dimensions (mm)	33 x 126 x 108 (W x L x H)	
Installation	DIN-Rail Mounting	
Environment		
Operating Temperature	-25 ~ +75 °C	
Storage Temperature	-40 ~ +80 °C	
Humidity	10 ~ 90% RH, Non-condensing	

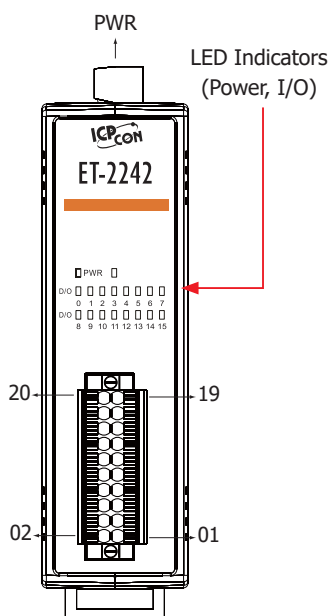
I/O Specifications

Model	ET-2242	PET-2242
Digital Output		
Channels	16	
Type	Open Collector	
Sink/Source (NPN/PNP)	Sink	
Load Voltage	+3.5 ~ +50 VDC	
Load Current	650 mA/channel	
Overvoltage Protection	+ 60 VDC	
Overload Protection	1.4 A (with short-circuit protection)	
Short Circuit Protection	Yes	
Power-on Value	Programmable	
Safe Value	Programmable	

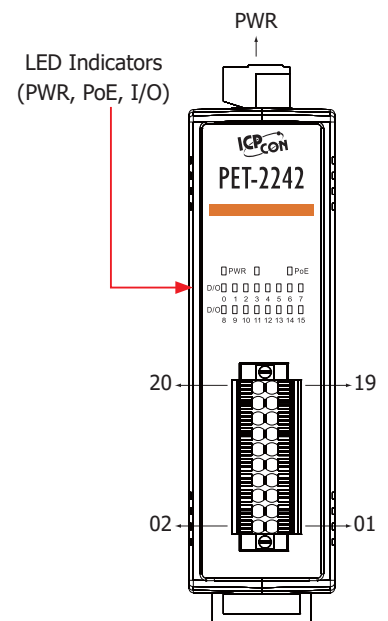
Wire Connections

Output Type	ON State Readback as 1	OFF State Readback as 0
Inductive Load		
Resistance Load		

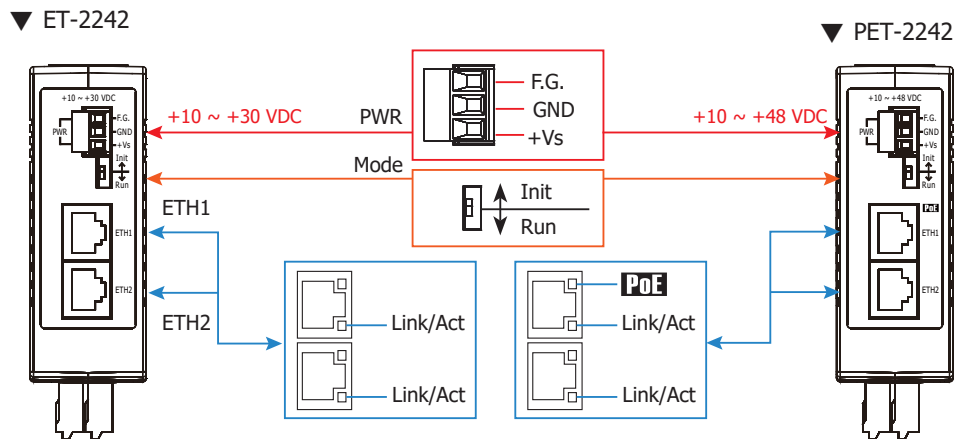
Pin Assignments



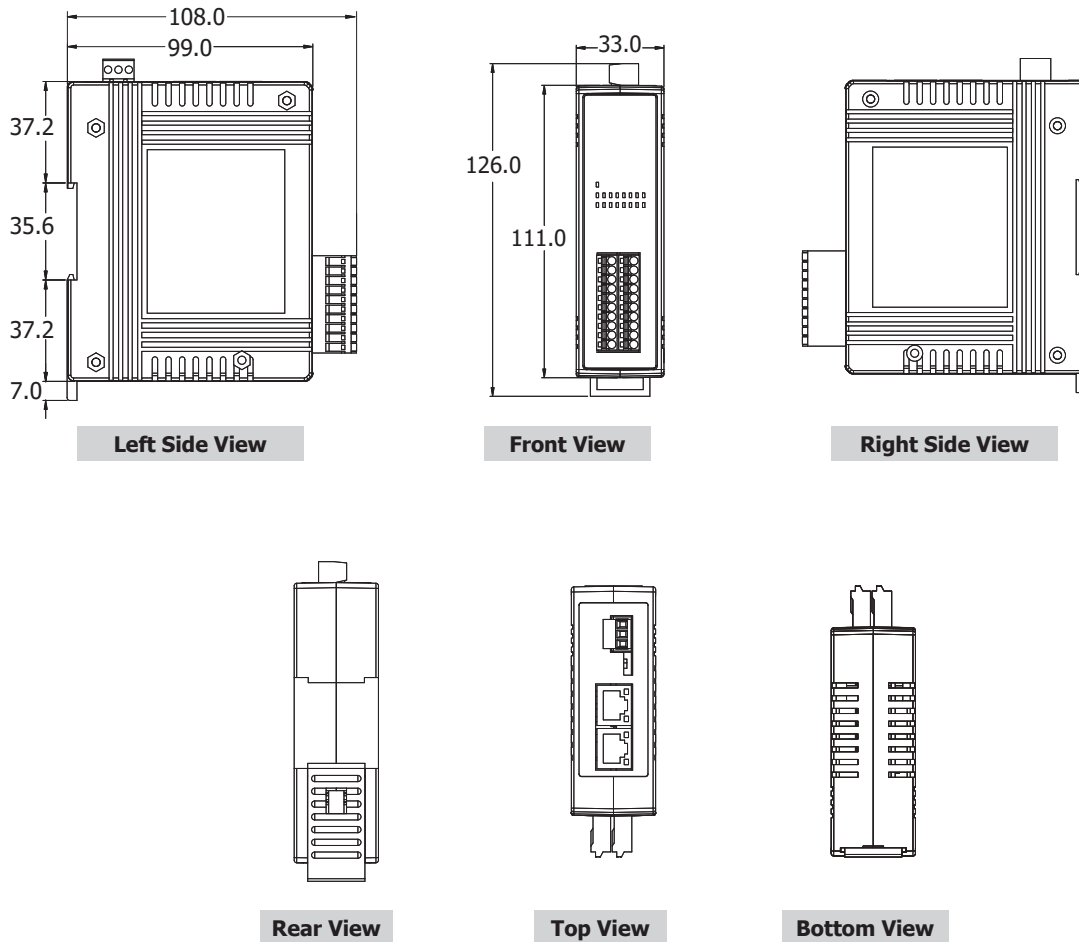
ET-2242/PET-2242			
Pin Assignment	Terminal No.	Terminal No.	Pin Assignment
DO7	20	19	DO15
DO6	18	17	DO14
DO5	16	15	DO13
DO4	14	13	DO12
DO3	12	11	DO11
DO2	10	09	DO10
DO1	08	07	DO9
DO0	06	05	DO8
E.PWR	04	03	E.PWR
E.GND	02	01	E.GND



Appearance



Dimensions (Units: mm)



Ordering Information

ET-2242 CR	Ethernet I/O Module with 2-port Ethernet Switch, 16-ch DO (Sink) (RoHS)
PET-2242 CR	PoE I/O Module with 2-port Ethernet Switch, 16-ch DO (Sink) (RoHS)