

BUILT TOUGH FOR BETTER GATE SAFETY & SECURITY

GATE LOCKS & HARDWARE 2026-27

**GATE
LOCKS**

**GATE
CLOSERS**

**GATE
HINGES**

**GATE
ACCESSORIES**



WWW.GATEMASTERLOCKS.COM

 **GATEMASTER**

Founded in 1995, Gatemaster is the leading UK manufacturer of gate locks, closers and hardware for metal and wooden gates.

We design gate hardware to make fitting easier and performance more reliable. From bolt-on locks to gate closers and hinges, our products are built for outdoor use, quick installation and long-term durability.

Whether you manufacture, install or maintain gates, you need hardware that is straightforward to fit, dependable in daily use and built to last. That is what Gatemaster delivers.



We help gate professionals work faster, fit with confidence and deliver reliable gate security.



+44 (0)1243 558580



sales@gatemasterlocks.com



www.gatemasterlocks.com



Technical Support that Helps

Expert advice from a team that understands gate hardware.



Built for the Outdoors

Durable, weather-resistant products made for the outside.



Quick to Fit

Straightforward installation that saves time on site.



Made in the UK

Designed and manufactured with engineering expertise.



Built-to-Last Quality

Premium materials and robust construction.



Worldwide Shipping

Fast, reliable delivery wherever you work.

Gate Locks	5
Superlock Range	6
SelectPro Bolt-On	20
SelectPro Weld-In	32
Wooden Gate Locks	38
Mortice Locks	46
Electric Locks	50
Lock Handles	54
Gate Hinges	56
SuperHinge	57
Stop Hinge	58
Security Collars	59
Gate Closers	60
Hydraulic Gate Closer	61
Gate Closing Strut	62
Light Duty Gate Closer	63
Gate Accessories	64
Drop Bolts	66
Buffers	70
Gate Safety & Security	72



Reliable gate locks & hardware that help you get the job done.



Auto-Locking Drop Bolt - see page 68



Mortice Lock - see page 46



Superhinge - see page 57



Superlock with RapidReset - see page 13



Superlock Latch Deadlock - see page 8

Gatemaster has built its reputation on dependable gate hardware, practical design, and a clear understanding of what installers and fabricators need.

Our range is designed to give you reliable solutions for a wide variety of gate applications, backed by expert support when it matters—we're here to help.



Superlock 2.0 Bolt-On Slim, Secure & Quick to Fit

The Superlock is our slim bolt-on lock range for metal gates, combining straightforward fitting with strong, reliable security. Built for outdoor use and long-term performance, and backed by a 5-year warranty.

6



SelectPro Bolt-On Traditional Look, Quality Feel

Our original range of gate locks, the SelectPro's traditional square design and long throw is popular around the world.

20



Weld-In Locks Seamless Security

A weldable lock range for any steel gate, giving an unobtrusive and highly secure solution.

32



Wooden Gate Locks Timber Solutions

Our locks for wooden gates take the nature of timber into consideration, providing ultimate adjustability and reliability.

38



Mortice Lock Concealed Security

The Gatemaster Mortice Hook lock is a robust all-stainless steel mortice lock designed for fitting into steel box section.

46



Electric Locks Electro-Magnetic Power

Our electro-magnetic lock comes fitted with simple mounting brackets, ensuring an easy way to incorporate electronic locking into any gate.

50

BUILT TOUGH FOR BETTER GATE SAFETY & SECURITY



SUPERLOCK RANGE STRONG & SECURE

The Superlock range is our flagship range of gate locks, designed to make fitting easier and deliver dependable security, it combines slim profiles, durable construction, and a wide choice of options for different gate applications.

BLD Latch Deadlock	8
BD Deadlock	9
BK Keylatch	10
BDG Code Double-Sided Keypad	11
BDGS Code Single-Sided Keypad	12
BDGRR RapidReset	13
BQDG Code Quick Exit	14
BQK Key Quick Exit	15
SGLDRR Sliding Gate Lock	16
Superlock Accessories	17

1

Slim Profile: Fits seamlessly into tighter gaps on the gate.

2

Quick to Fit: Simply drill three holes and bolt the lock on.

3

Versatile Range: Available in multiple locking and hardware options.

4

Adaptable Fit: Adjustable latchbolt length makes installation easier.

5

Built to Last: Made for the outdoors with exceptional corrosion resistance.



WHAT'S NEW WITH SUPERLOCK 2.0?

Stronger, Robust Construction

A new one-piece die-cast casing removes joints and welds for greater durability.

Longer-Lasting Protection

Upgraded materials and finishes provide better protection outdoors.

Simpler Code Changes

Change the code without removing the lock from the gate, only the keypad.

Modern, Sleek Design

A cleaner, more modern appearance for residential and commercial gates.

Superlock 2.0 Bolt-On Latch Deadlock

Convenient, everyday latch access with the added security of a deadlock in one slim bolt-on lock.

The Bolt-On Latch Deadlock combines convenient handle-operated access for daily use with keyed deadlocking when extra security is needed.

- **Stronger Protection:** New seamless one-piece design removes joints and welds for improved durability and a cleaner finish.
- **Secure Locking When it Matters:** Stainless steel latchbolt latches 15mm into the gate post and extends to 30mm when deadlocked.
- **Adaptable Fit:** Slim 70mm case design suits a wide range of gate applications.
- **Easier to Fit on Site:** Adjustable latchbolt length and rotatable for left or right-handed gates.
- **Reliable:** Comes with a guide plate and brass bearing for long-lasting performance.
- **Versatile Sizes:** Available in two options—1030 for up to 30mm gate frames and 4060 for 40mm to 60mm frames.
- **Choose the Handle Style:** Choose between the profile lever (P) or traditional handle (T) styles.
- **Double-Sided Access:** Equipped with handles and key access on both sides for added convenience.
- **Enhance Security:** Pair it with the Superlock Keep to maximise security and durability. A standard strike plate is included.



Profile Handle



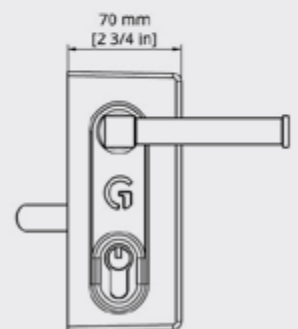
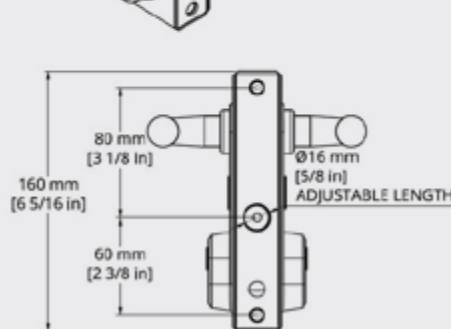
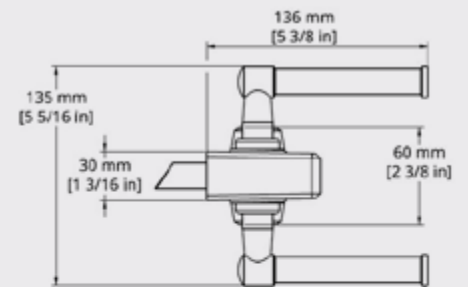
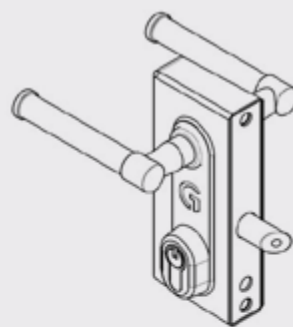
Traditional Handle

Protected with a 5-Year Warranty

AVAILABLE VERSIONS

BLD1030P	To fit 10mm to 30mm - profiled handle
BLD4060P	To fit 40mm to 60mm - profiled handle
BLD1030T	To fit 10mm to 30mm - traditional handle
BLD4060T	To fit 40mm to 60mm - traditional handle

Also available in green (RAL6005)



Superlock 2.0 Bolt-On Deadlock

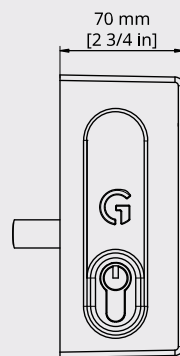
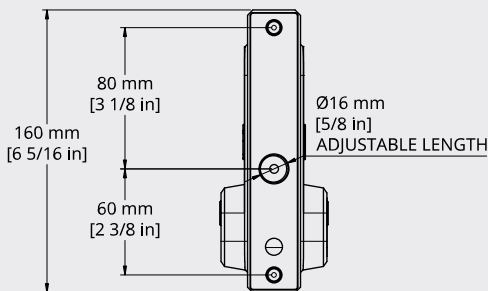
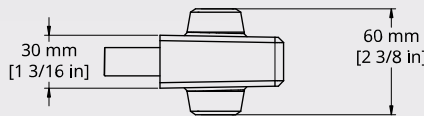
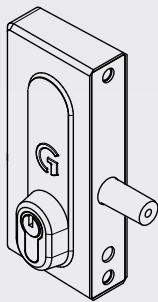


Dependable and straightforward keyed security in an easy-to-fit bolt-on deadlock.

Designed for ultimate reliability, its single 15mm locking action ensures robust protection, while the slim depth allows it to fit seamlessly into most gate designs.

- **Easy to Fit on Site:** The slim 70mm lock case, combined with an adjustable and removable deadbolt, makes installation a breeze.
- **Secure Locking From Both Sides:** Keyed on both sides for secure opening and closing.
- **Built for Outdoor Use:** Designed to deliver durable, dependable security in everyday use.
- **Adjusts for a Better Fit:** Adjustable deadbolt length allows precise fitting directly on site.
- **Built for Lasting Reliability:** Includes a guide plate with a brass bearing for smooth, dependable performance.
- **Sizes to Suit Your Frame:** Available in 1030 for 10mm to 30mm gate frames and 4060 for 40mm to 60mm frames.

Protected with a 5-Year Warranty



AVAILABLE VERSIONS

BD1030	To fit 10mm to 30mm frame
BD4060	To fit 40mm to 60mm frame

Also available in green (RAL6005) 



“Comes with detailed instructions and all necessary hardware, making installation straightforward. Great service. Highly recommend.”

Superlock 2.0 Bolt-On Keylatch

A durable, premium latch lock that locks automatically when the gate closes, with key access for secure, straightforward entry

The Superlock Keylatch is designed for metal gate frames, combining reliable auto-latching security with quick bolt-on fitting. Just drill three holes, bolt it on, and the adjustable latchbolt allows for easier on-site fitting.

- **Reliable Security Every Time:** Close the gate and the latch locks automatically, with key access for secure entry.
- **Built for Lasting Outdoor Performance:** Designed for dependable use in external gate applications.
- **Quick to Fit on Site:** The 70mm lock case with an adjustable, removable latchbolt makes installation straightforward.
- **Adjusts to Suit Your Gate:** The latchbolt is adjustable in length and can be rotated for left- or right-handed gates.
- **Added Support:** Includes a bolt support plate and gate post strike plate for a secure fit.
- **Versatile Sizes:** Available for 10mm to 30mm and 40mm to 60mm gate frames.
- **Add Self-Closing Security:** Pair with a gate closer to help ensure the gate closes securely after every use (see page 60).

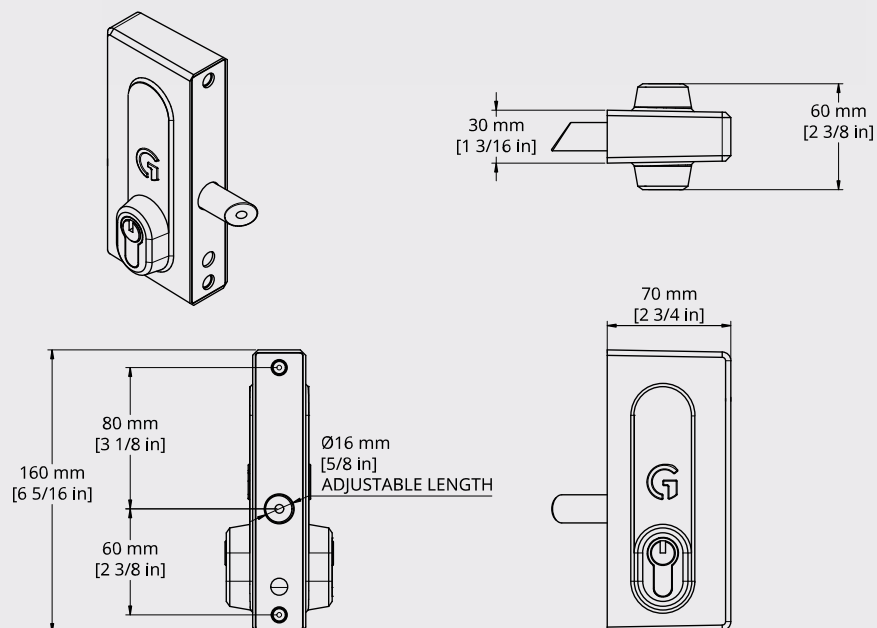


Protected with a 5-Year Warranty

AVAILABLE VERSIONS

BK1030	To fit 10mm to 30mm frame
BK4060	To fit 40mm to 60mm frame

Also available in green (RAL6005)

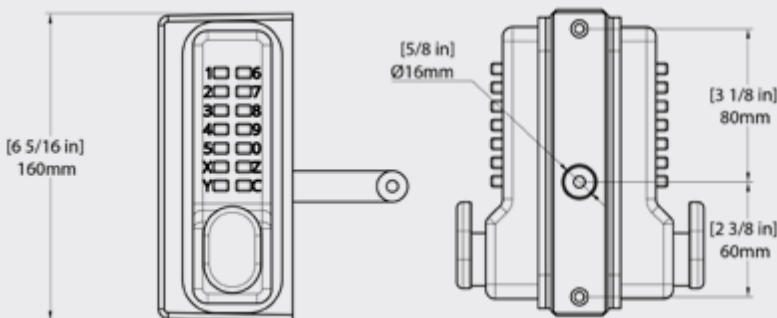
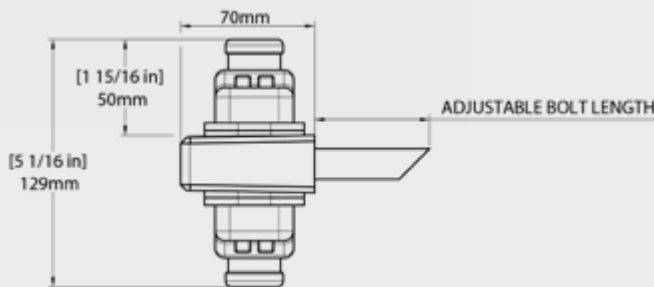


“Service was excellent, more importantly the lock is just what I needed - perfect and UK-made!”

Superlock 2.0 Code Lock - Double-Sided Keypad



RIGHT HAND LOCK SHOWN



Secure keyless access from both sides, with auto-latching security every time the gate closes.

The Superlock 2.0 Double-Sided Keypad combines mechanical keypads on both sides with straightforward three-hole bolt-on fitting, giving you reliable access control without power or batteries.

- **No Power or Wiring Needed:** Mechanical keypads make installation quick and straightforward.
- **Secure, Reliable Latching:** The latchbolt projects up to 13mm into the gate post for dependable security and greater tolerance.
- **Built for Lasting Performance:** The durable mechanism and bolt support plate with brass bearing help reduce wear over time.
- **Adjusts for an Easier Fit:** The latchbolt length can be adjusted and set for left- or right-handed gates.
- **Locks Automatically When Closed:** Close the gate to latch it securely; enter the code and turn the handle to open.
- **Adaptable Design:** Slim 70mm case suits a variety of gate styles.
- **Smooth, Reliable Operation:** Supplied with a gate post strike plate for seamless latching.
- **Extra Security:** Use with a Superlock Keep to maximise security and extend product life (see page 17).

Protected with a 5-Year Warranty

AVAILABLE VERSIONS

BDG1030L	To fit 10mm to 30mm frame, left hand
BDG4060L	To fit 40mm to 60mm frame, left hand
BDG1030R	To fit 10mm to 30mm frame, right hand
BDG4060R	To fit 40mm to 60mm frame, right hand

Handing is reversible on site, if required

Lock casing available in green (RAL6005)



Delta handle option available.

Designed for easier gripping and turning, plus our built-in anti-climb feature.

PRODUCT CODE: BDGD



Superlock 2.0 Code Lock - Single-Sided Keypad

The perfect balance of security and convenience with keyless entry on one side and simple exit on the other.

Designed for box section metal gate frames, this slim and sturdy lock is easy to install and adjust, offering reliable and convenient day-to-day use.

- **Convenient Access From Both Sides:** A battery-free digital keypad on one side and a rear handle on the other make everyday use simple.
- **Keep the Gate Open When Needed:** The hold-back feature allows the latch to be held retracted for added convenience.
- **Easy to Fit:** Slim 70mm lock case accommodates a variety of gate applications.
- **Locks securely when closed:** Stainless steel latchbolt latches 13mm into the gate post for dependable security.
- **Lasting Performance:** A durable mechanism and brass-bearing bolt support plate help reduce wear over time.
- **Adjusts to Suit Your Gate:** Adjustable latchbolt suits different box section sizes.
- **Smooth, Reliable Latching:** Includes a gate post strike plate for easy and secure latching.
- **Upgrade Security Even Further:** Pair with the Superlock Keep for added protection and extended product life (see page 17).



Protected with a 5-Year Warranty

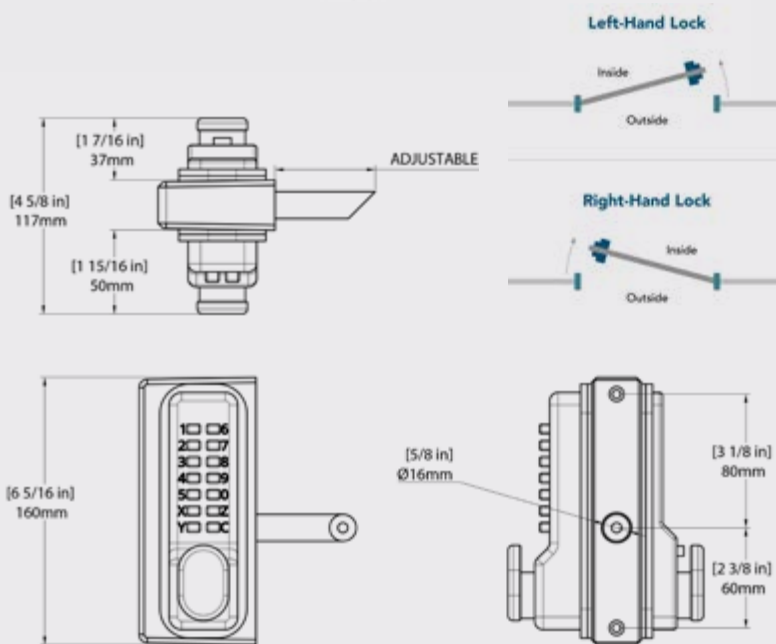
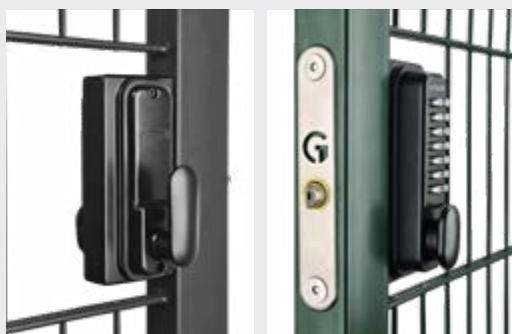
AVAILABLE VERSIONS

BDGS1030L	To fit 10mm to 30mm, left hand
BDGS4060L	To fit 40mm to 60mm, left hand
BDGS1030R	To fit 10mm to 30mm, right hand
BDGS4060R	To fit 40mm to 60mm, right hand

Handing is reversible on site, if required



Lock casing available in green (RAL6005)



Delta handle option available.
 Designed for easier gripping and turning,
 plus our built-in anti-climb feature.
PRODUCT CODE: BDGSD

Superlock 2.0 with RapidReset Code Change

★ **New Product**



Revolutionise gate security, update codes in seconds with secure, battery-free access control.

Designed for ultimate convenience, this innovative lock lets you change codes in seconds while maintaining robust, secure functionality—all without the need for power or batteries.

- **10-Second Code Changes:** Update the code fast, without removing the lock from the gate.
- **No Battery or Power Needed:** Low maintenance, non-electric and secure locking mechanism.
- **Easy to Fit on Site:** The 70mm lock case, together with an adjustable and removable latchbolt, makes installation straightforward.
- **Highly Secure:** The latchbolt moves 15mm ensuring the bolt enters deep into the gate post.
- **Helps Prevent Climb-Over Access:** The anti-climb handle reduces the risk of the handle being used as a foothold.
- **Long-Lasting & Durable:** Purpose-engineered for outdoor use with anti-corrosion and one-piece die-cast construction.
- **Choose the Access Setup You Need:** Available with a single-sided or double-sided keypad.

Protected with a 5-Year Warranty


SINGLE-SIDED KEYPAD VERSIONS

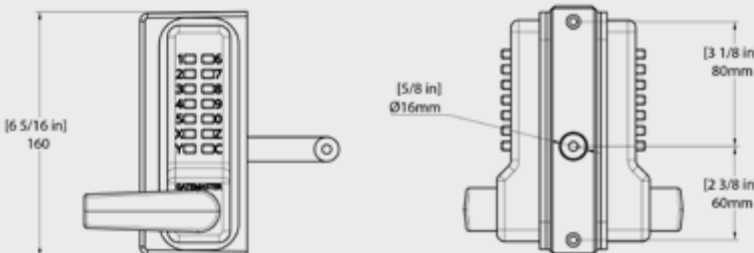
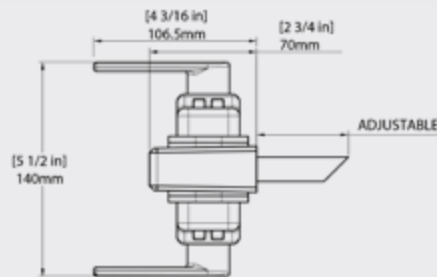
- BDGSRR1030 To fit 10mm to 30mm gate frames
- BDGSRR4060 To fit 40mm to 60mm gate frames

DOUBLE-SIDED KEYPAD VERSIONS

- BDGRR1030 To fit 10mm to 30mm gate frames
- BDGRR4060 To fit 40mm to 60mm gate frames

Handing is reversible on site, if required

Lock casing available in green (RAL6005) 



SINGLE-SIDED RAPIDRESET AVAILABLE

Enhance convenience with a single-sided keypad and hold-back function.

PRODUCT CODE: BDGSRR



Superlock 2.0 Bolt-On Quick Exit - Keypad Entry

Effortless exit from the inside meets secure keyless entry with the Superlock Quick Exit.

Equipped with a green push pad for easy exit and a digital keypad for controlled entry, this lock is perfect for gates that require both convenience and security.

- **Fast Exit When it Matters:** The green push pad makes exit quick and straightforward.
- **Locks securely:** Stainless steel latchbolt latches 13mm into the gate post for solid security.
- **Fits A Wide Range Of Gates:** Slim 70mm lock case fits a variety of gate styles with ease.
- **Built For Long-Term Outdoor Use:** Corrosion-resistant construction and a bolt support plate help extend product life.
- **Sized To Suit Your Frame:** Available in 1030 for 10mm to 30mm gate frames and 4060 for 40mm to 60mm frames.
- **Smooth, Secure Latching:** Includes a gate post strike plate for seamless and secure latching.

Protected with a 5-Year Warranty



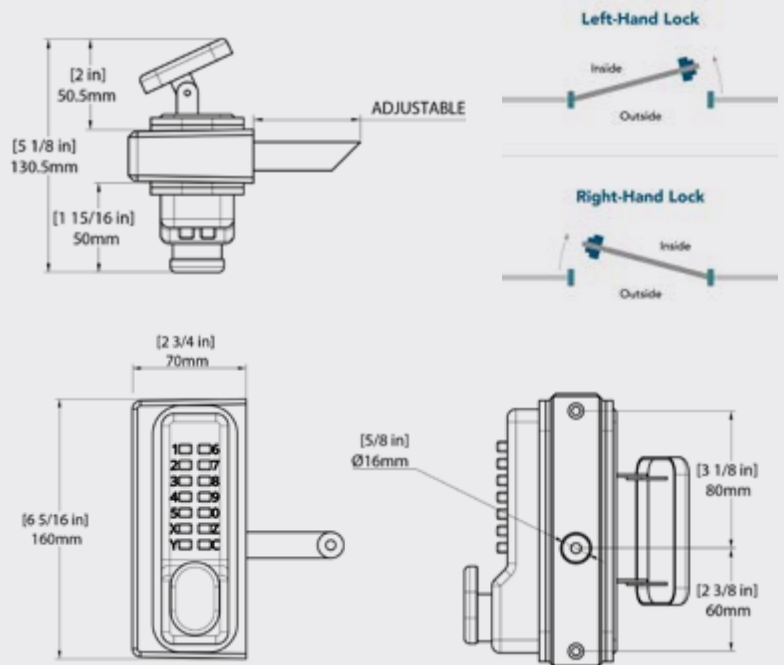
Compatible with the Superlock Shroud (p. 18) to prevent outsider access.

AVAILABLE VERSIONS

BQDG1030L	To fit 10mm to 30mm, left hand
BQDG4060L	To fit 40mm to 60mm, left hand
BQDG1030R	To fit 10mm to 30mm, right hand
BQDG4060R	To fit 40mm to 60mm, right hand

Handing is reversible on site, if required

Lock casing available in green (RAL6005)



"Good reliable products. They never fail to deliver."

Superlock 2.0 Bolt-On Quick Exit - Key Entry



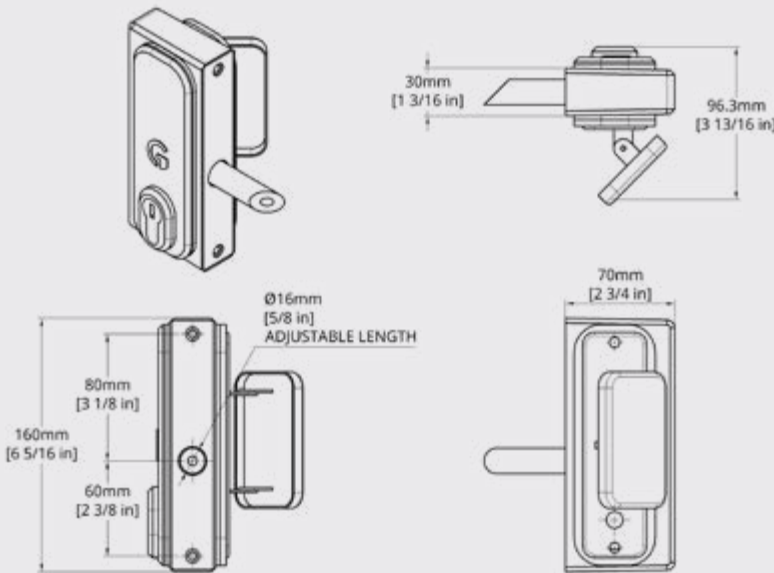
Combine safety and convenience with quick, easy exit from the inside and secure keyed entry outside. Featuring a green push pad for effortless exit, this lock is ideal for gates that require fast, reliable egress.

- **Quick Exit From Inside:** The green push pad makes leaving fast and straightforward.
- **Dependable Latching on the Gate:** Stainless steel latchbolt latches 13mm into the gate post for solid security.
- **Designed To Fit A Range Of Gates:** Slim 70mm case makes it suitable for a wide range of gates.
- **Durable Construction:** Corrosion-resistant design and a bolt support plate help extend product life.
- **Smooth Operation:** Supplied with a gate post strike plate for seamless latching.
- **Multiple Sizes to Fit:** Available for 10mm to 30mm gate frames and 40mm to 60mm gate frames.
- **Add Extra Protection:** Pair with the Superlock Keep to maximise security (see page 17).

Protected with a 5-Year Warranty




Compatible with the Superlock Shroud (p. 18) to prevent outsider access.



AVAILABLE VERSIONS

BQK1030L	To fit 10mm to 30mm, left hand
BQK4060L	To fit 40mm to 60mm, left hand
BQK1030R	To fit 10mm to 30mm, right hand
BQK4060R	To fit 40mm to 60mm, right hand

Handing is reversible on site, if required

Lock casing available in green (RAL6005) 



Restricted Outside Access Version Available.

Simplify exits while improving security with the Superlock Bolt-On Quick Exit.



Sliding Gate Lock with RapidReset Code Change

Fast code changes and battery-free access control, purpose-built for sliding gates.

With a robust latch system and smooth lever handles, it's the ideal solution for securing sliding gates in high-traffic or restricted-access environments.

- **Change Codes in Seconds:** RapidReset keypads allow quick code changes without removing the lock from the gate.
- **No Power or Batteries Needed:** Mechanical operation keeps installation simple and maintenance low.
- **Easier to Operate Sliding Gates:** Reversed ergonomic handles are designed to make opening and closing smoother.
- **Locks Automatically When Closed:** The latch engages as the gate shuts for straightforward, dependable security.
- **Built for Heavy Outdoor Use:** Corrosion-resistant construction is designed to handle demanding external environments.
- **Quick to Fit With No Welding:** The bolt-on design suits standard sliding gate frames with minimal preparation.
- **Supplied Ready for Secure Latching:** Includes a matching keep for a neat fit and reliable operation.



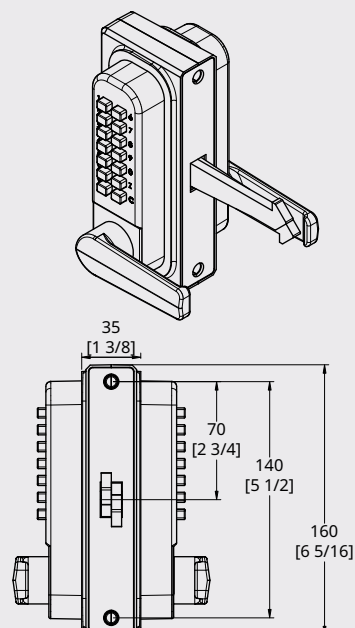
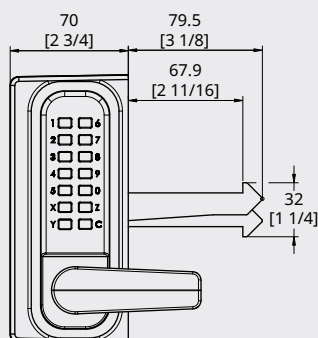
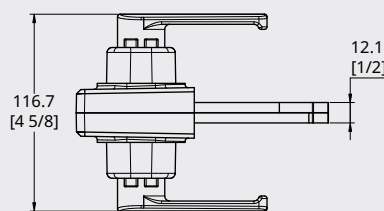
Protected with a 5-Year Warranty

AVAILABLE VERSIONS

SGLDRR40L	40mm gate frame, left hand
SGLDRR40R	40mm gate frame, right hand
SGLDRR50L	50mm gate frame, left hand
SGLDRR50R	50mm gate frame, right hand
SGLDRR60L	60mm gate frame, left hand
SGLDRR60R	60mm gate frame, right hand



Single-side keypad version also available



Superlock Keep



Add extra protection to your Superlock with a keep that shields the latchbolt and adds a neat finish.

Designed to work across the Superlock range, the Superlock Keep is quick to fit using the gate slam plate and expanding fasteners for a secure, straightforward installation.

- **Enhanced Security:** Shields the latchbolt to prevent unauthorised access.
- **Highly Versatile:** Simple to fit to a wide range of gate applications.
- **Sleek Design:** Slim profile enhances the overall appearance of the gate.

BSK

Superlock keep

Superlock Interlocking Keep



Helps stop the gate being levered off the post once closed for added security.

The clever two-part design adds extra protection, with one section fixed in front of the lock and the post bracket secured using two expanding fasteners.

- **Maximum Security:** Prevents the gate from being levered or forced apart.
- **Effortless Installation:** Simple to fit and suitable for a variety of applications.
- **Smart Look:** Slim design enhances the gate's appearance for a clean, professional finish.

BSKS

Superlock interlocking keep

Superlock Gapless Keep



Adds security on tight-gap gates while also acting as a gate stop.

Designed for gates with a small gap between the gate and post, the keep helps to block access to the latchbolt while fitting quickly with just two drilled holes and expanding fasteners.

- **Highly Versatile:** Simple to fit and suitable for a variety of gate applications.
- **Enhanced Security:** Blocks access to the latchbolt for added protection.
- **Streamlined Design:** Slim profile improves the gate's overall appearance.

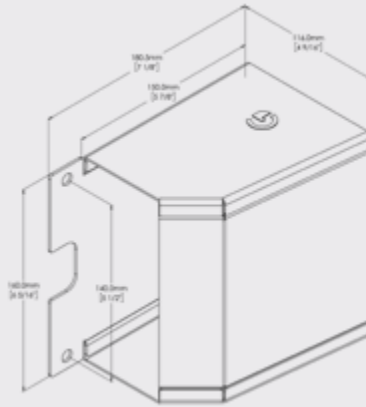
BSKG

Gapless keep

Superlock Quick-Exit Shroud

This security shroud prevents outside access to the gate, stopping intruders from reaching around to operate the lock. Installation is quick and simple—just bolt the shroud in front of the lock with no additional fixings required. The updated design now makes the BQS Security Shroud fully compatible with the Superlock Quick-Exit gate locks (pp. 14–16) and the single-sided Superlock Digital Code gate lock (p. 12).

SHOWN IN GATE WITH BQDG (SEE P. 18)

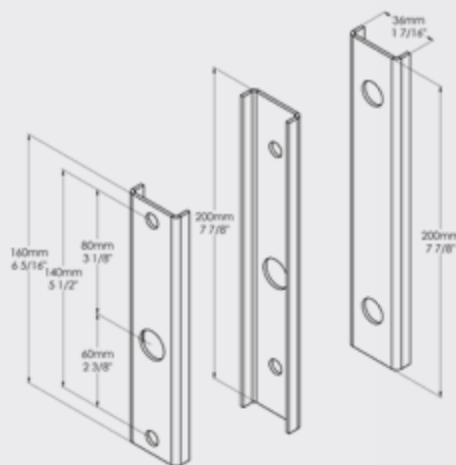


BQS Superlock quick-exit shroud

Round Bar Adapter

The round bar adapter allows the entire Superlock range to be securely fitted to gates with round post sections. This kit includes a gate adapter and a gate post adapter, ensuring a sturdy and reliable installation for both the lock and any keep in the range. Crafted from stainless steel, it offers lasting durability and corrosion resistance.

SHOWN IN GATE WITH KEEP (BSK)



AVAILABLE VERSIONS	
RBA	Round bar adapter - lock kit
RBAK	Round bar adapter - lock and post kit



BUILT TOUGH FOR BETTER GATE SAFETY & SECURITY

SELECT PRO BOLT-ON CLASSIC DESIGN, RELIABLE PERFORMANCE

Our original bolt-on lock range, SelectPro combines classic design with proven, dependable performance. From keyed locks and digital keypads to quick-exit locks and latches, the range offers practical solutions for a wide variety of gate styles and applications.

SBLD Latch Deadlock	21
SBD Deadlock	22
SBKLLT Long Throw Keylatch	23
SBL Latch	24
SBQEK Key Quick Exit	25
SBQEDGL Code Quick Exit	26
SBQE NA Quick Exit No Access	27
DGL Code Lock Double-Sided	28
DGLS Code Lock Single-Sided	29
SBQES Quick-Exit Shroud	30



SelectPro Bolt-On Latch Deadlock

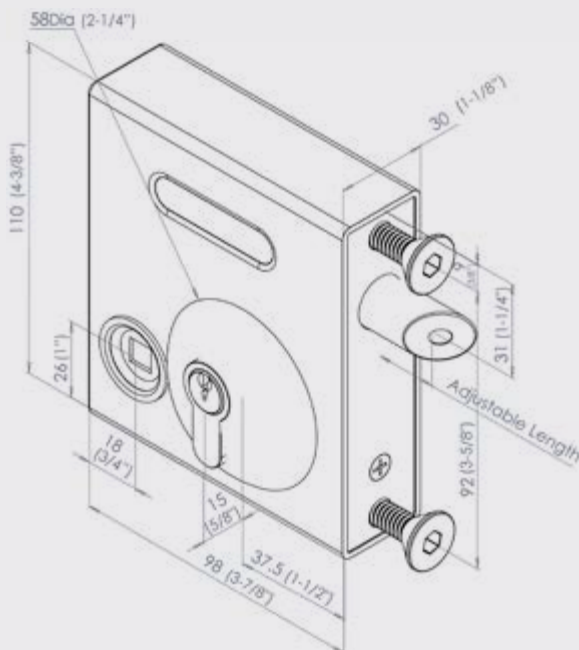
SHOWN WITH ALLOY HANDLE SET (AH)



Get convenience and security in one with the SelectPro Bolt-On Latch Deadlock.

Ideal for everyday use, this lock combines the practicality of a latch with the added protection of a deadlock. Operate the latch with the handles, then turn the key to extend the latchbolt and secure the gate.

- **Secure:** Stainless steel latchbolt latches 13mm into the gate post and extends to 30mm when deadlocked.
- **Adaptable:** Latchbolt is adjustable in length and can be rotated for left- or right-handed gates.
- **Convenient:** Both the handle and key can be operated from either side of the gate.
- **Reliable:** Includes a guide plate with a brass bearing to ensure long-lasting performance.
- **Versatile Sizes:** Available in two options—01 for 10mm to 30mm gate frames and 02 for 40mm to 60mm frames.
- **Stylish Options:** Supplied with handles in two styles—plain lever (AH) or traditional design (TDH).
- **Smooth Operation:** Comes with a gate post strike plate for easy and secure latching.



SHOWN WITH TRADITIONAL HANDLE SET (TDH)

AVAILABLE VERSIONS

SBLD1601	10mm to 30mm gate frames
SBLD1602	40mm to 60mm gate frames
SBLD1601AH	10mm to 30mm gate frames, AH Handle
SBLD1601TDH	10mm to 30mm gate frames, TDH handle
SBLD1602AH	40mm to 60mm gate frames, AH Handle
SBLD1602TDH	40mm to 60mm gate frames, TDH Handle

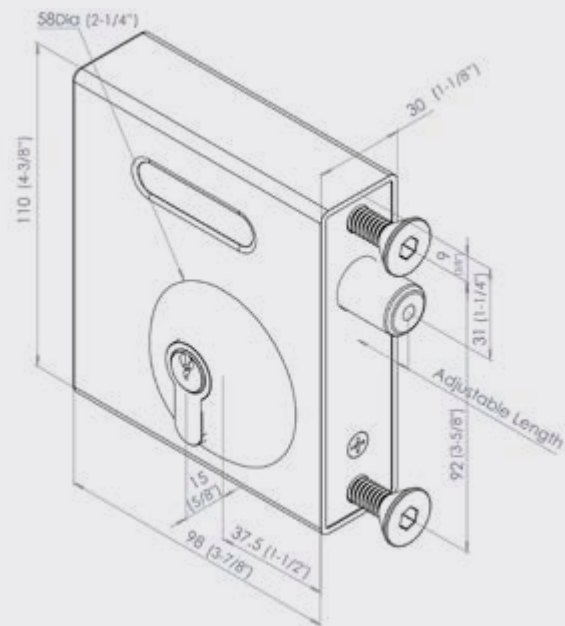


SelectPro Bolt-On Deadlock

Secure your gate with the SelectPro Bolt-On Deadlock—where convenience meets dependable security.

Featuring a robust stainless steel deadbolt with a 30mm long throw, this lock ensures your gate is locked deep into the gate post for maximum protection.

- **Easy Installation:** Adjustable deadbolt allows for precise fitting on-site.
- **Convenient Access:** Key operation on both sides with simple unlocking via one turn of the key.
- **Versatile Options:** Available in two sizes—01 for 10mm flat bar to 30mm box section, and 02 for 40mm to 60mm box section.
- **Built to Last:** Includes a deadbolt guide plate to reduce stress on the lock, ensuring long-lasting reliability.



AVAILABLE VERSIONS

SBD1601	10mm to 30mm gate frames
SBD1602	40mm to 60mm gate frames



“Excellent products and very helpful over the phone. I would definitely recommend.”

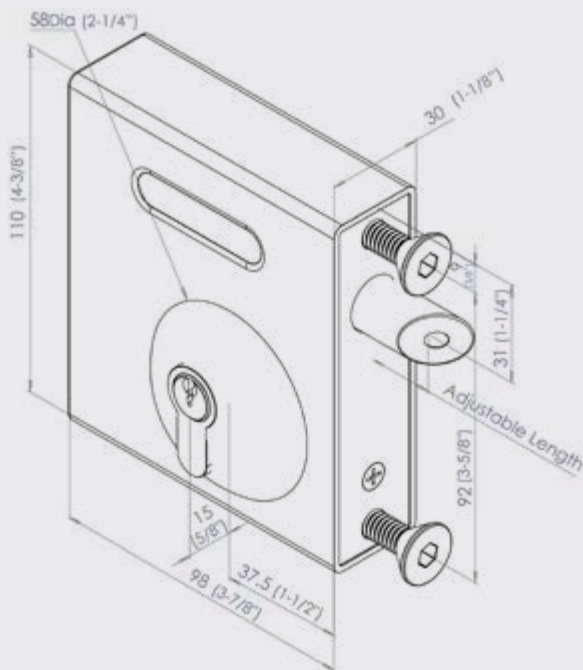
SelectPro Bolt-On Long Throw Keylock



Ensure secure and reliable gate access with the SelectPro Bolt-On Long Throw Keylock.

Perfect for communal gates where the gate needs securing every time it is shut, this lock automatically latches shut when the gate is closed and can only be opened with a key, providing dependable security every time.

- **Adaptable:** Adjustable latchbolt length, suitable for both left- and right-handed gates.
- **Enhanced Security:** Stainless steel latchbolt springs an impressive 20mm into the gate post for increased protection.
- **Convenient Access:** Keyed on both sides for easy entry and exit.
- **Long-Lasting Performance:** Supplied with a guide plate featuring a brass bearing to ensure durability.
- **Versatile Options:** Available in two sizes—01 for 10mm to 30mm flat bar or box section gate frames, and 02 for 40mm to 60mm frames.
- **Smooth Operation:** Includes a gate post strike plate for seamless and secure latching action.



AVAILABLE VERSIONS

SBKLLT1601	10mm to 30mm gate frames
SBKLLT1602	40mm to 60mm gate frames



“Good range of professional level products, difficult to find items, and real engineered solutions.”

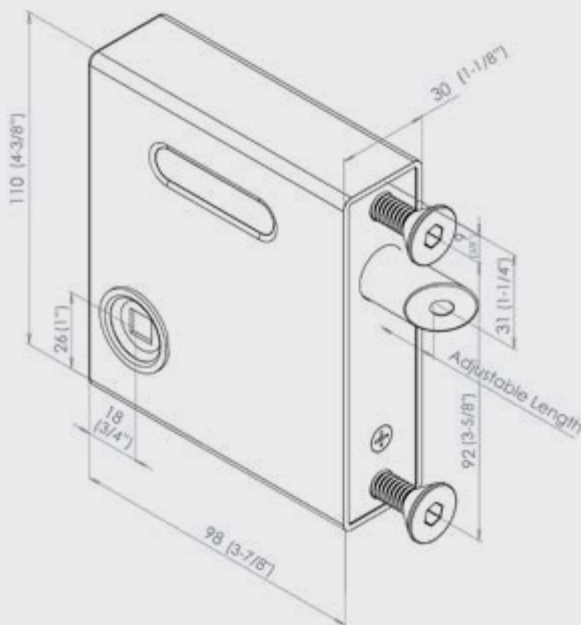
SelectPro Bolt-On Latch

Simplified gate access with this reliable lock-free SelectPro Latch.

Perfect for holding a gate shut without the need for locking, this solution is ideal for housing developments, playgrounds, and other communal spaces where ease of access is key and no locking facility is necessary.

- **Dependable Hold:** Stainless steel latchbolt springs 13mm into the gate post to securely hold the gate closed.
- **Adaptable Fit:** Adjustable latchbolt length, suitable for both left- and right-handed gates.
- **Durable Design:** Includes a guide plate with a brass bearing to ensure long-lasting performance.
- **Versatile Sizes:** Available in two options—01 for 10mm to 30mm flat bar or box section gate frames, and 02 for 40mm to 60mm frames.
- **Stylish Options:** Supplied with handle options in two designs—plain lever style (AH) or traditional handle style (TDH).
- **Smooth Operation:** Comes with a gate post strike plate for seamless and secure latching action.

SHOWN WITH TRADITIONAL HANDLE SET (TDH)



AVAILABLE VERSIONS

SBL1601	10mm to 30mm gate frames, no handle
SBL1601AH	10mm to 30mm gate frames, AH handle
SBL1601TDH	10mm to 30mm gate frames, TDH handle
SBL1602	40mm to 60mm gate frames, no handle
SBL1602AH	40mm to 60mm gate frames, AH handle
SBL1602TDH	40mm to 60mm gate frames, TDH handle



SHOWN WITH ALLOY HANDLE SET (AH)

SelectPro Bolt-On Quick Exit - Key Entry

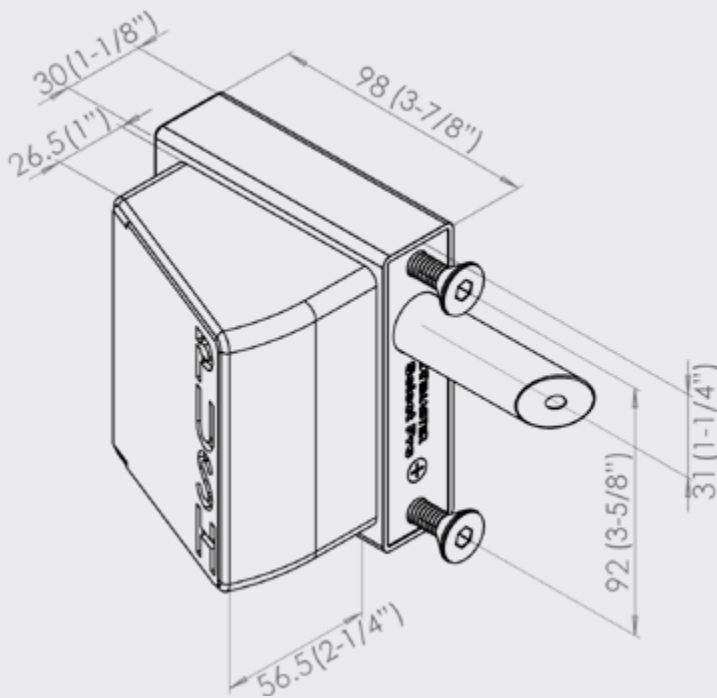
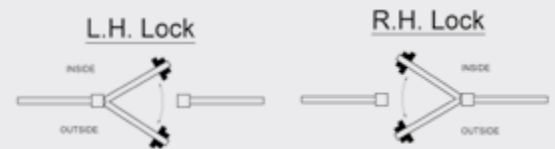


RIGHT HAND LOCK SHOWN

Combine security and rapid exit with the SelectPro Bolt-On Quick-Exit Lock with key access.

Purpose-built for metal gates, this lock offers robust performance, ease of installation, and reliable automatic latching for maximum convenience.

- **Enhanced Security:** Stainless steel 16mm latchbolt springs 20mm into the gate post for a secure hold.
- **Durable Design:** Supplied with a bolt guide plate and gate post strike plate to ensure reliability and longevity.
- **Adaptable Fit:** Adjustable latchbolt length allows for precise fitting during installation.
- **Versatile Options:** Also available as a quick exit/digital keypad combination (see page 26).
- **Optional Shroud:** Security shroud available to prevent access to the pad from outside the gate (see page 30).



Compatible with the SelectPro Shroud (p. 30) to prevent outsiders from opening your gate!

AVAILABLE VERSIONS

SBQEKLL01	To fit 10mm to 30mm, left hand
SBQEKLL02	To fit 40mm to 60mm, left hand
SBQEKLR01	To fit 10mm to 30mm, right hand
SBQEKLR02	To fit 40mm to 60mm, right hand



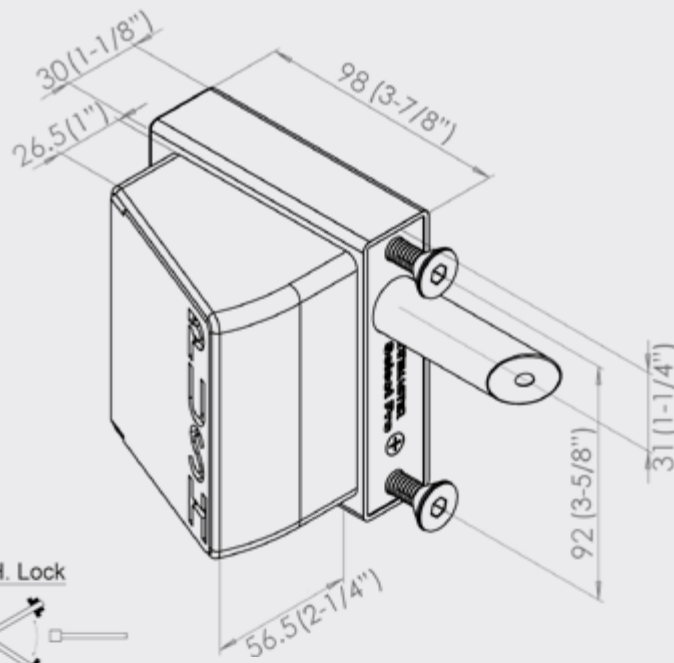
SelectPro Bolt-On Quick Exit - Keypad Entry

Streamline gate access with this quick-exit lock, combining secure entry and effortless installation.

Designed for metal gates, it features a push-button keypad on the outside for entry and a green push pad on the inside for fast, keyless exit. The latch automatically secures when the gate closes, ensuring convenience and reliability.

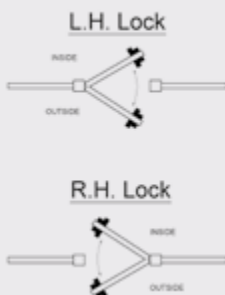
- **Simple Installation:** Drill just three holes in the gate frame for an easy fit.
- **Enhanced Security:** 16mm stainless steel latchbolt extends 20mm into the gate post for robust locking.
- **Precise Adjustment:** Adjustable latchbolt length allows for a perfect fit on-site.
- **Durable Construction:** Supplied with a bolt guide plate and gate post strike plate for lasting performance.
- **Versatile Options:** Also available with key entry from the outside (see p. 25).
- **Optional Security Shroud:** Prevents access to the push pad from outside the gate (see p. 30).

RIGHT HAND LOCK SHOWN



AVAILABLE VERSIONS

SBQEDGLL01	To fit 10mm to 30mm, left hand
SBQEDGLL02	To fit 40mm to 60mm, left hand
SBQEDGLR01	To fit 10mm to 30mm, right hand
SBQEDGLR02	To fit 40mm to 60mm, right hand



SelectPro Bolt-On Quick Exit - No Outside Access

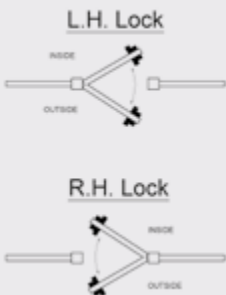
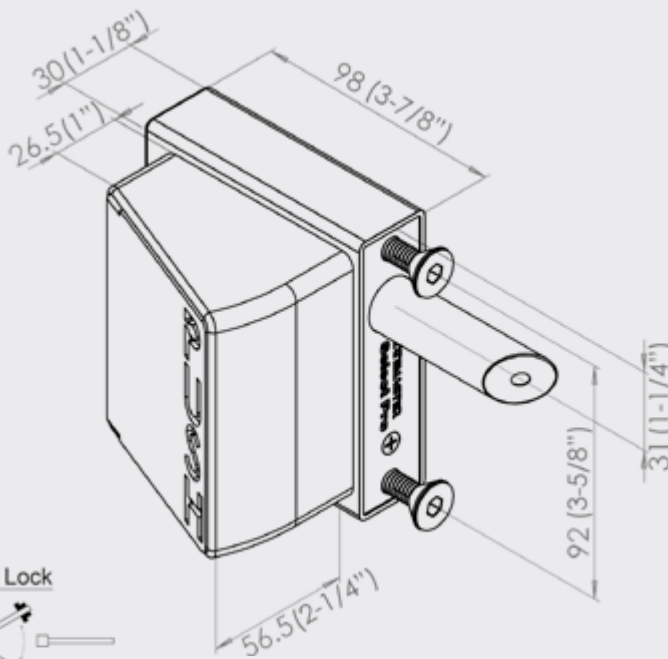
RIGHT HAND
LOCK SHOWN



Ensure fast, secure one-way exit with this quick-exit gate lock, offering robust performance and ease of use.

Designed for metal gates, this lock is ideal for gates requiring one-way access. The angled latch bolt ensures the gate automatically latches shut upon closing, providing reliable security without outside entry.

- **One-Way Access:** Allows exit only, with no outside entry for added security.
- **High Security:** Features a 16mm stainless steel latchbolt that extends 20mm into the gate post.
- **Durable Construction:** Includes a bolt guide plate and gate post strike plate for smooth and lasting operation.
- **Customisable Fit:** Adjustable latchbolt length for precise on-site fitting.
- **Effortless Installation:** Drill just three holes in the gate frame for a straightforward setup.
- **Versatile Options:** Available with key or digital keypad entry for gates requiring dual-side access (see p. 25-26).
- **Optional Shroud:** Prevents tampering or pad access from the outside (see p. 30).



Compatible with the SelectPro Shroud (p. 30) to prevent outsiders from opening the gate!

AVAILABLE VERSIONS

SBQEL01NA	To fit 10mm to 30mm, left hand
SBQEL02NA	To fit 40mm to 60mm, left hand
SBQER01NA	To fit 10mm to 30mm, right hand
SBQER02NA	To fit 40mm to 60mm, right hand

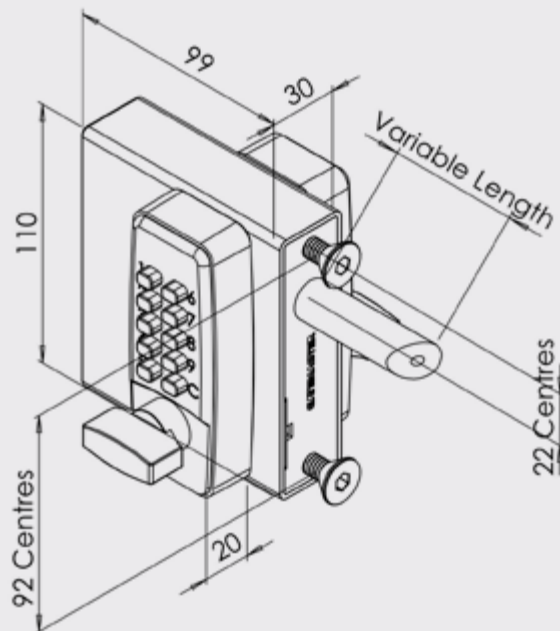


SelectPro Bolt-On Code Lock - Double-Sided Keypad

Secure keyless double-sided access with quick, straightforward bolt-on fitting.

This mechanical code lock combines convenient keypad entry from both sides with easy installation. Just drill three holes in the gate frame, bolt the lock on, and the latch engages automatically when the gate closes.

- **No Power Required:** Mechanical keypads for a quick and easy install.
- **Secure:** Latchbolt projects up to 20mm into the gate post which increases security and gives more tolerance.
- **Long-Lasting:** Brass bearing plate supports the latchbolt reducing wear and increasing product life.
- **Adaptable:** The latchbolt can be adjusted in length and set to left hand or right hand.
- **Durable:** Tested to over 1,000 hours salt spray, this product will survive the elements.
- **Auto-Latching:** Close the gate and the latchbolt latches into the gate frame. To open the gate enter the code and turn the handle.
- **Keypad on Both Sides:** Also available as a keypad and rear handle.



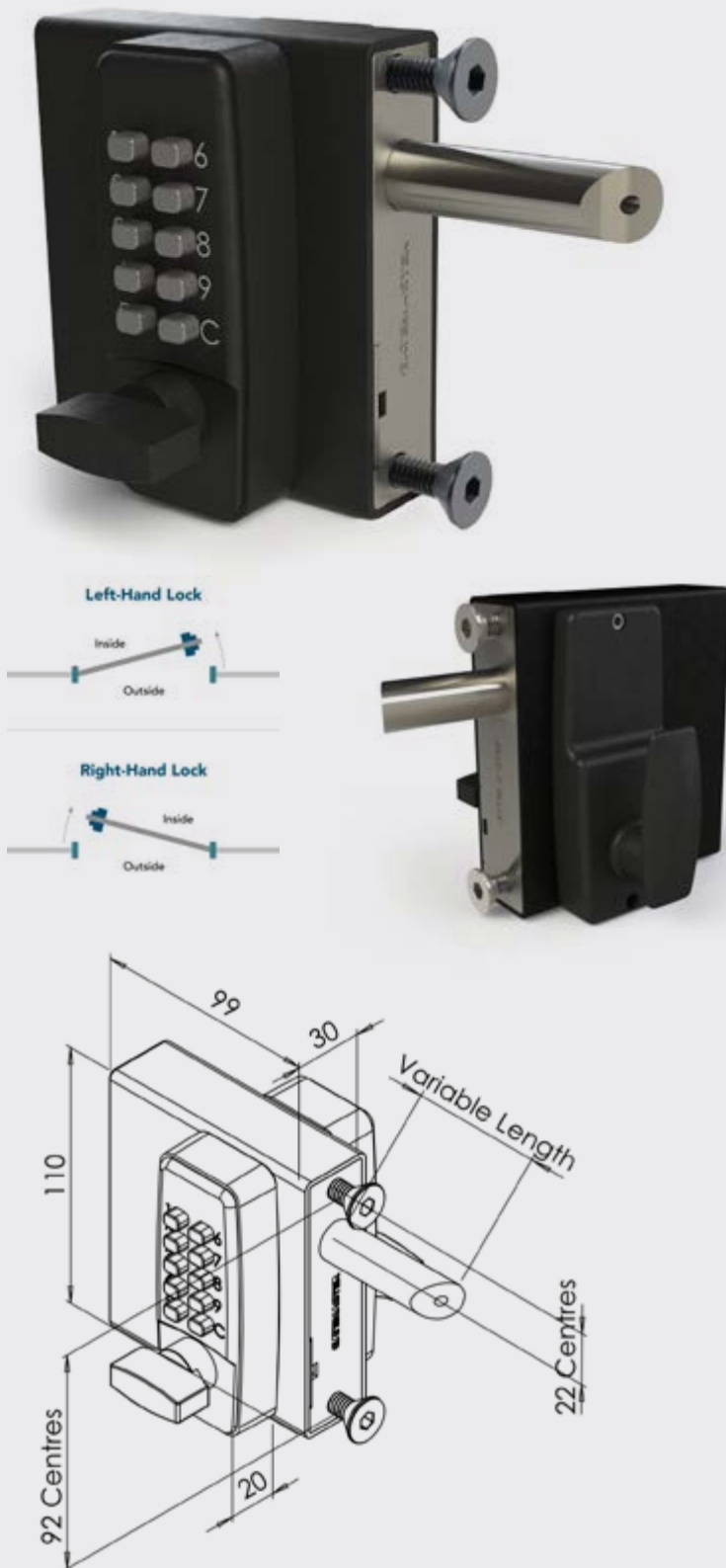
AVAILABLE VERSIONS

DGL01	To fit 10mm to 30mm gate frames
DGL02	To fit 40mm to 60mm gate frames



“Very good products, good prices and great service.”

SelectPro Bolt-On Code Lock - Single-Sided Keypad



Achieve secure, keyless entry with this reliable digital gate lock.

Featuring a mechanical keypad on the outside and a free-turn handle on the inside, this lock combines convenience and robust functionality. Its auto-latching feature ensures the gate locks upon closing, with the added flexibility of a hold-back function to keep the gate unlocked when needed.

- **Power-Free:** Mechanical keypad eliminates the need for electricity or batteries.
- **Enhanced Security:** The latchbolt extends up to 20mm into the gate post, offering increased security and greater tolerance.
- **Built to Last:** Includes a brass bearing plate to support the latchbolt, reducing wear and prolonging the lock's lifespan.
- **Highly Adaptable:** Adjustable latchbolt length accommodates both inward and outward-opening gates.
- **Weatherproof Durability:** Successfully tested to withstand over 1,000 hours of salt spray, ensuring resistance to the elements.
- **Auto-Latching Design:** The latchbolt automatically engages upon closing the gate.
- **Flexible Configurations:** Keypad on one side and handle on the other, with the option for dual-keypad access.

AVAILABLE VERSIONS

DGLS01L	10mm to 30mm gate frame, left hand
DGLS01R	10mm to 30mm gate frame, right hand
DGLS02L	40mm to 60mm gate frame, left hand
DGLS02R	40mm to 60mm gate frame, right hand

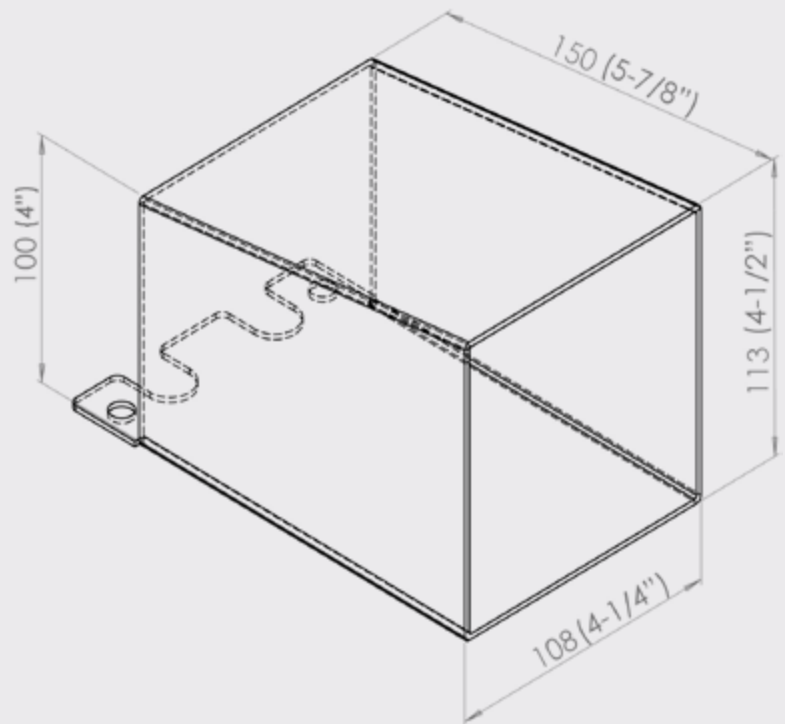


SelectPro Quick-Exit Shroud

Enhance gate security with this easy-to-fit shroud for Quick-Exit locks.

This shroud is a simple yet effective upgrade to boost the security of your Quick-Exit gate locks. Designed to prevent tampering, the shroud restricts access to the push pad from the outside, providing an added layer of protection for your gate.

- **Increased Security:** Effectively blocks access to the push pad from the outside of the gate.
- **Effortless Installation:** Simply bolts between the lock and the frame—no welding or extra holes required.
- **Wide Compatibility:** Suitable for all Gatemaster Quick-Exit locks (pages 25-27) and the digital single-sided lock (page 29).

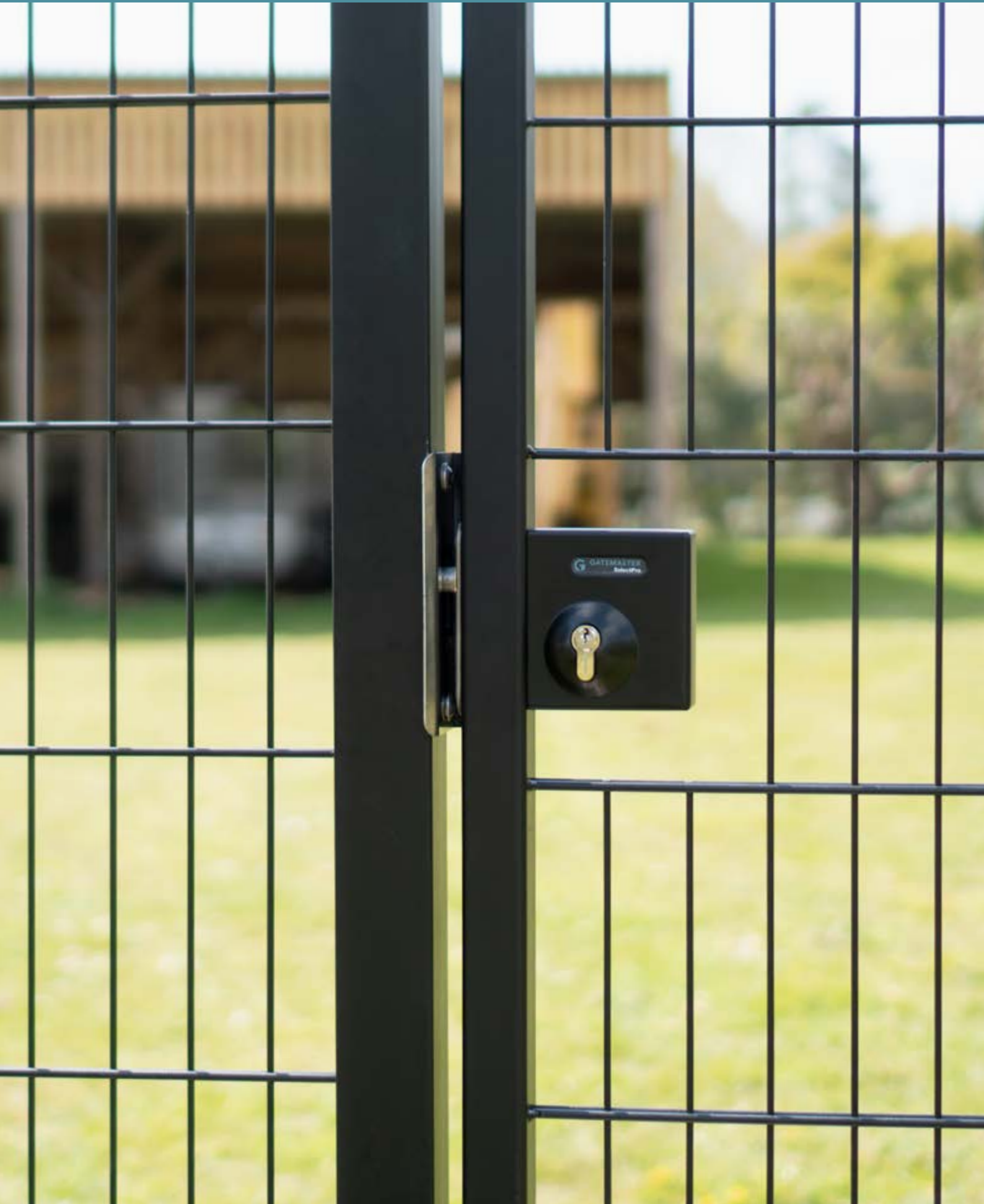


SBQES

Quick-Exit Security Shroud



SHOWN WITH SINGLE-SIDED DIGITAL LOCK (P29)



BUILT TOUGH FOR BETTER GATE SAFETY & SECURITY



SELECTPRO WELD-IN SEAMLESS SECURITY

Our weld-in gate locks provide a discreet and highly secure locking solution. Simply weld the steel case into the gate frame, paint it along with the gate, and slide the mechanism in after for a clean, seamless finish.

Suitable for both bespoke and mass-produced gates, weld-in locks are available in a range of styles and widths. Their design allows a section of the gate to be cut out, enabling the lock to be welded flush with the front and sides of the box section for a streamlined look.

SWLD Latch Deadlock	33
SWD Deadlock	34
SWKLLT Long Throw Keylatch	35
SelectPro Weld-In Accessories	36



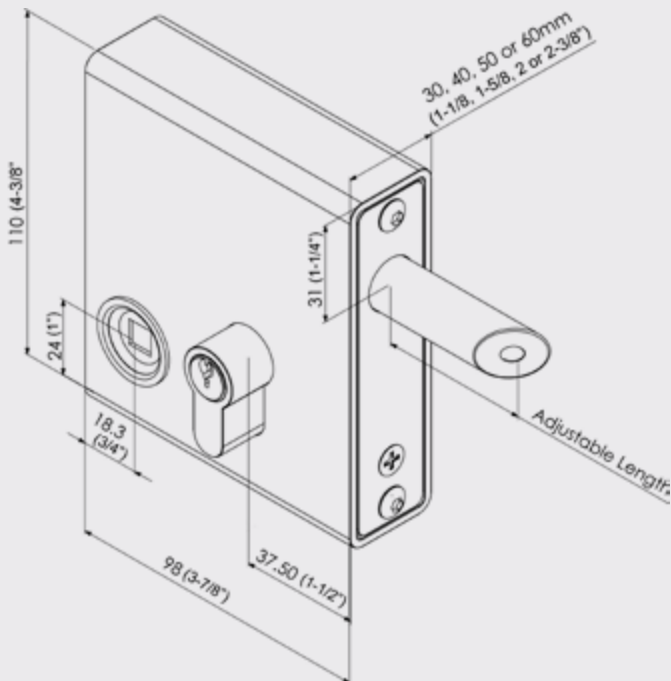
SelectPro Weld-In Latch Deadlock



This weld-in latch deadlock is ideal for those seeking a robust, secure lock with a latch and deadlock.

Featuring both a latch and a deadlock on a single bolt, this SelectPro gate lock, offers a seamless solution for security on metal gates. Operate the latch with the handles, and turn the key to extend the deadbolt 30mm into the gate post for added security.

- **Enhanced Security:** Stainless steel latchbolt springs 13mm into the gate post and extends to 30mm when deadlocked.
- **Precise Fit:** Adjustable latchbolt length allows for on-site customisation, and it can be rotated for left- or right-handed gates.
- **Maximum Strength:** Welding the lock into the gate ensures the most secure installation method.
- **Long-Lasting Durability:** Features a brass latchbolt bearing for smooth, reliable operation over time.
- **Versatile Sizing:** Available in four widths to suit popular gate frame sizes.
- **Handle Options:** See page 54 for available handles
- **Complete Kit:** Supplied with a gate post strike plate for smooth latching action.



SEE DIAGRAM ON P.36 FOR HOW TO MEASURE THE GATE FRAME

AVAILABLE VERSIONS

SWLD1630	30mm wide gate frames
SWLD1640	40mm wide gate frames
SWLD1650	50mm wide gate frames
SWLD1660	60mm wide gate frames



SelectPro Weld-In Deadlock

Achieve robust security for metal gates with this solid weld-in deadlock.

This weld-in deadlock is the ideal choice for those seeking strength, adaptability, and secure gate locking. Featuring a single keyed deadlocking action, the lock extends the deadbolt 30mm with just one turn of the key, providing reliable protection for your gates.

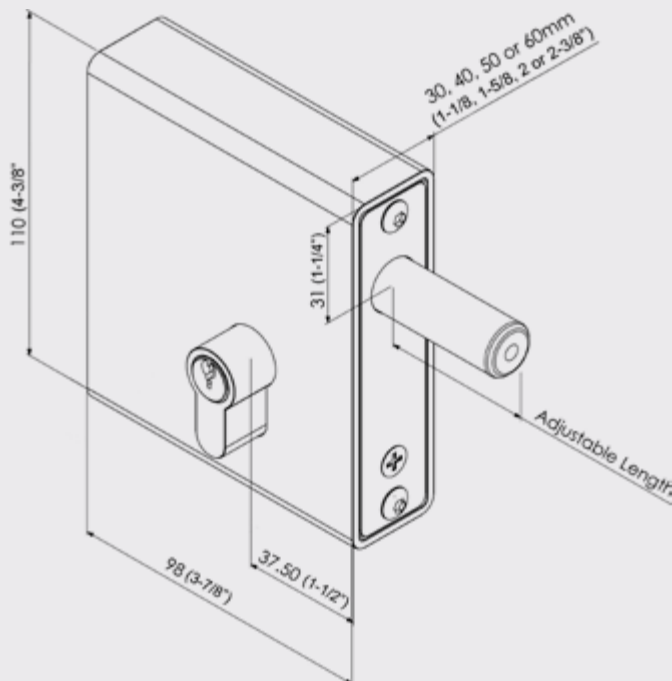
- **Enhanced Security:** Stainless steel deadbolt extends 30mm into the gate post for a secure hold.
- **Precise Fit:** Adjustable deadbolt length ensures accurate on-site fitting.
- **Maximum Strength:** Welding the lock into the gate offers the most secure installation method.
- **Convenient Access:** Keyed on both sides for easy operation.
- **Durable Construction:** Made with a 2.5mm steel lock case for long-lasting reliability.
- **Versatile Options:** Available in four lock case widths to suit various box section sizes.



SEE DIAGRAM ON P.36 FOR HOW TO MEASURE THE GATE FRAME

AVAILABLE VERSIONS

SWD1630	30mm wide gate frames
SWD1640	40mm wide gate frames
SWD1650	50mm wide gate frames
SWD1660	60mm wide gate frames



“Nothing short of excellent service, well done to all!”

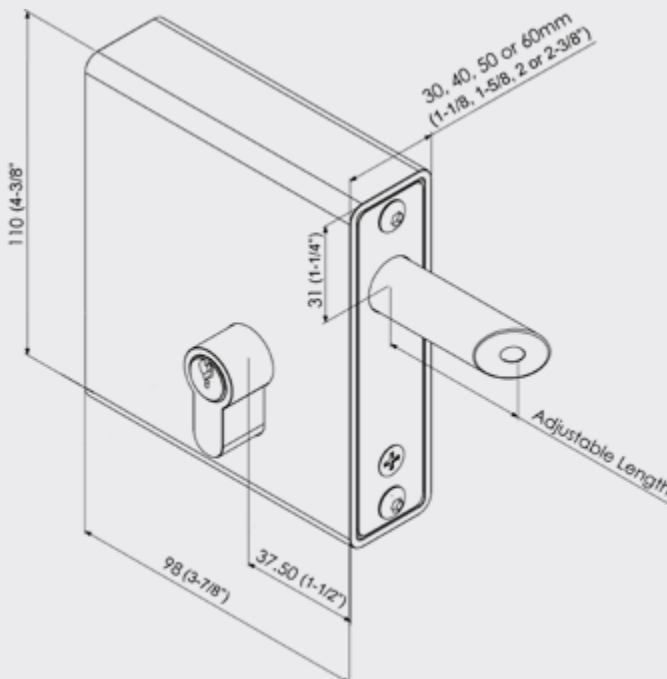
SelectPro Weld-In Long Throw Keylatch



Ensure dependable security with the SelectPro Long Throw Keylatch.

The SelectPro Long Throw Keylatch is the perfect choice for gates that require secure locking when the gate is closed shut. Designed to automatically lock when the gate is pulled closed, this key-operated latch is ideal for communal gates, ensuring they are securely locked every time they are shut.

- **Reliable Security:** Simply close the gate shut—it locks automatically and requires a key to open.
- **Enhanced Protection:** Stainless steel latchbolt extends 30mm into the gate post for added security, with a long throw for extra strength.
- **Customisable Fit:** Adjustable latchbolt length and rotatable design make it suitable for both left- and right-handed gates.
- **Long-Lasting Durability:** Fitted with a brass latchbolt bearing for smooth, reliable operation over time.
- **Versatile Sizing:** Available in four lock case widths to suit popular box section sizes.



SEE DIAGRAM ON P.36 FOR HOW TO MEASURE THE GATE FRAME

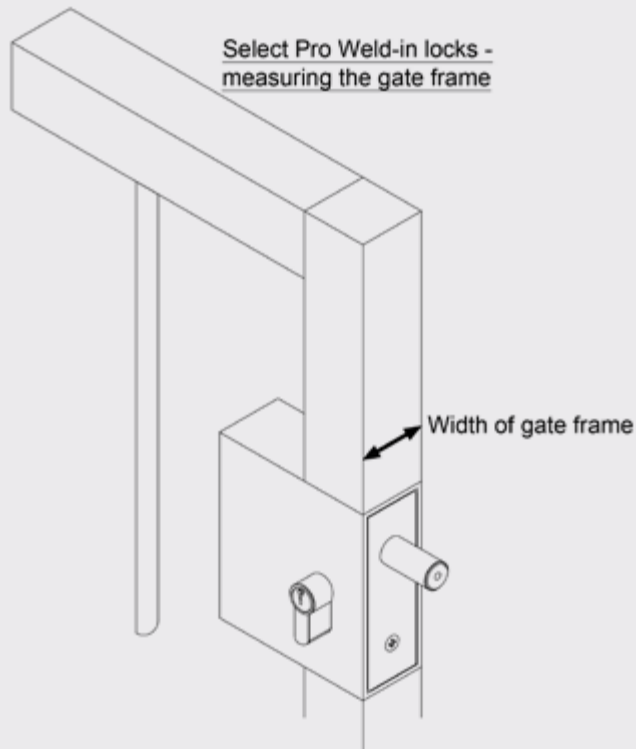
AVAILABLE VERSIONS

SWKLLT1630	30mm wide gate frames
SWKLLT1640	40mm wide gate frames
SWKLLT1650	50mm wide gate frames
SWKLLT1660	60mm wide gate frames



Measuring the Gate Frame

THE WIDTHS FOR WELD-IN LOCKS ARE MEASURED AS SHOWN IN THE DIAGRAM



Stainless Steel Escutcheon

Crafted from stainless steel, this escutcheon provides protection for the cylinder while neatly covering the hole created during installation.



Dimensions:
68mm height x 32mm width

AVAILABLE VERSIONS

SSE Stainless Steel Escutcheon

Security Escutcheon to Weld

Designed for enhanced protection, the security escutcheon shields the cylinder from potential attack. It is commonly paired with weld-in locks to improve overall security.



Dimensions:
46mm height x 30mm width

AVAILABLE VERSIONS

WSE04 4mm thickness

WSE08 8mm thickness

WSE12 12mm thickness

SelectPro Handles



Alloy Handle

SEE PAGE 54



Traditional Handle

SEE PAGE 54



Stainless Steel

SEE PAGE 54



BUILT TOUGH FOR BETTER GATE SAFETY & SECURITY

WOODEN GATE LOCKS PURPOSE- MADE SOLUTIONS

Specifically crafted for wooden gates, our locks take the nature of timber into consideration, providing ultimate adjustability and reliability. Available in both keyed and keyless options, these locks are easy to install on new gates or as a retrofit solution for existing gates.

BDGW Double-Sided Keypad	39
BDGSW Single-Sided Keypad	40
SLDS Superlatch Code	41
GLB Gate Locking Bolt	42
DGLW Code Lock Double-Sided	44
DGLSW Code Lock Single-Sided	44
SBQEDGLW Quick-Exit Code Lock	45



Superlock 2.0 Surface-Mounted Code Lock - Double-Sided

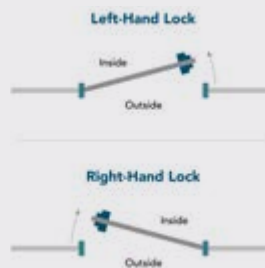
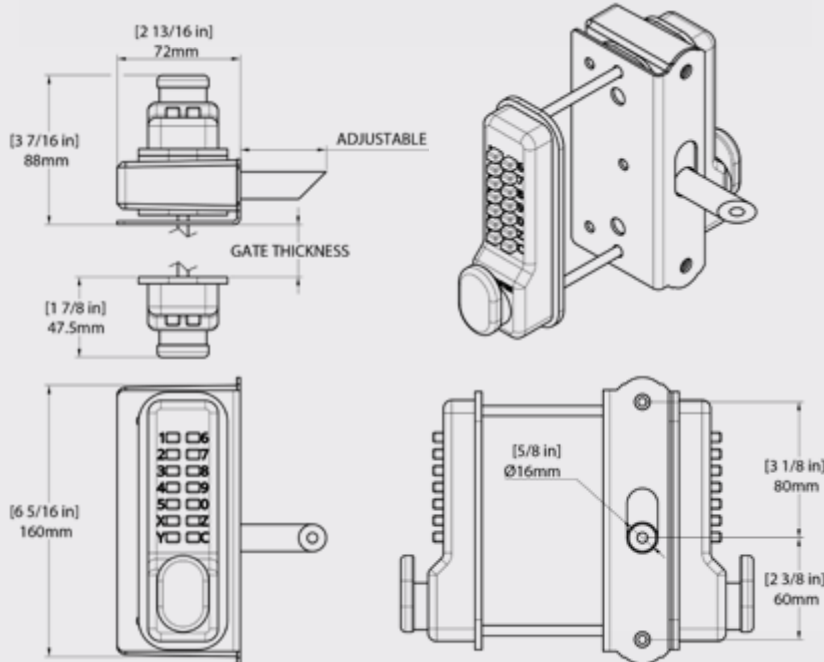


Enjoy secure, keyless convenience with durability you can count on, even in challenging conditions.

Perfect for surface mounting to wooden gates, this double-sided keypad lock is easy to install and provides reliable, long-lasting performance in any environment. Simply drill three holes in the gate frame and attach using the supplied fixing screws. The code can be customised to suit your needs.

- **Power-Free Operation:** Mechanical keypads ensure quick installation without the need for electricity or batteries.
- **Enhanced Security:** Latchbolt projects up to 20mm into the keep, offering robust locking and greater tolerance.
- **Built to Last:** Tested to withstand over 1,000 hours of salt spray, making it ideal for outdoor use.
- **Effortless Installation:** Supplied with a keep for straightforward fitting to the gate frame.
- **Auto-Latching Design:** The latchbolt automatically locks when the gate closes. To open, simply enter the code and turn the handle.

Protected with a 5-Year Warranty



AVAILABLE VERSIONS

BDGWL	Left hand
BDGWR	Right hand
BDGWE140	Extension kit for gates up to 140mm thickness



RAPIDRESET VERSION ALSO AVAILABLE

Enhance convenience and security. Change the code in just 10 seconds.

PRODUCT CODE: BDGWRR



Superlock 2.0 Surface-Mounted - Single-Sided Keypad

Secure and simplify gate access with a durable code lock with reliable performance for outdoor gates in any environment.

Designed for easy surface fitting, it features a mechanical keypad on the outside for keyless entry and a free-turn handle on the inside for quick exit. The code can be easily customised to your preferred combination, providing both convenience and security.

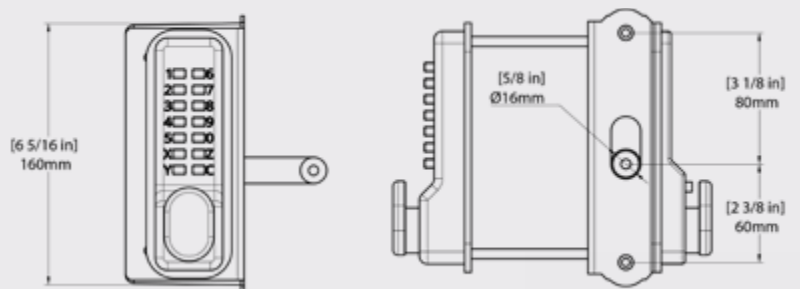
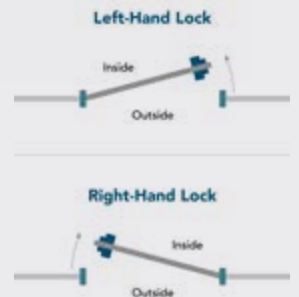
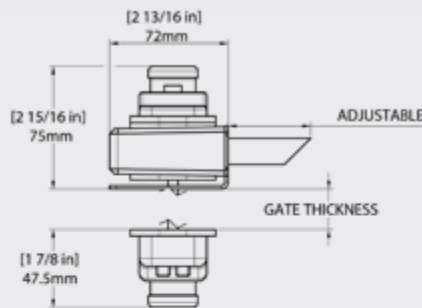
- **Power-Free Operation:** Mechanical keypads allow for a quick and hassle-free installation without electricity.
- **Enhanced Security:** Latchbolt projects up to 20mm into the keep, ensuring a secure hold with added tolerance.
- **Effortless Installation:** Supplied with a keep for straightforward fitting to the gate frame.
- **Auto-Latching Design:** The latchbolt automatically secures the gate when closed.
- **To Open From Outside:** Enter the code and turn the handle.
- **To Open From Inside:** Simply turn the rear handle at any time.
- **Added Protection:** Keep included for extra security.
- **Versatile Fit:** Supplied with fixings and spindle for gates up to 75mm thick, with an optional extension kit available for gates up to 140mm thick.



Protected with a 5-Year Warranty

AVAILABLE VERSIONS

BDGSWL	Left hand
BDGSWR	Right hand
BDGWE140	Extension kit for gates up to 140mm thick



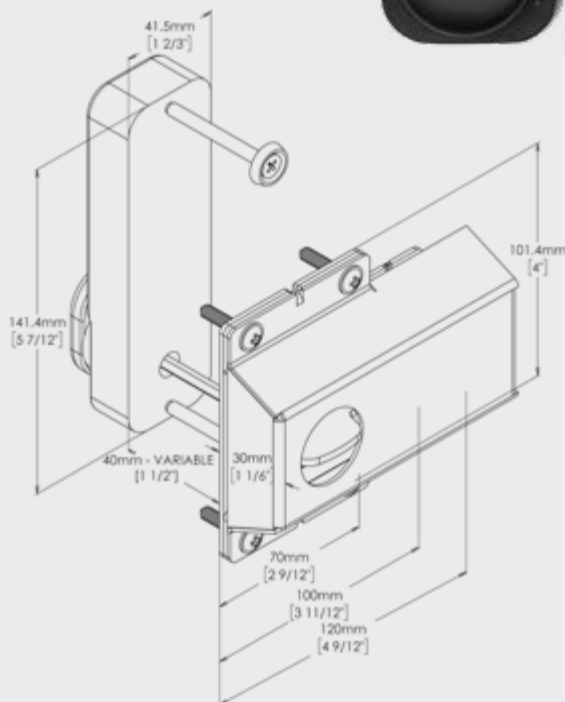
RAPIDRESET VERSION ALSO AVAILABLE

Enhance convenience and security. Change the code in just 10 seconds.

PRODUCT CODE: BDGSWRR



Superlatch Surface-Mounted Code Latch



Upgrade your gate security with the durable and versatile Superlatch Digital Lock.

Featuring a marine-grade keypad on the outside and a stainless steel latch on the inside, this innovative design offers a reliable and easy-to-install alternative to low-cost keypads.

- **Effortless Installation:** Drill just three holes through the gate and screw the lock into place, no complicated setup required.
- **Auto-Latching Function:** The latchbolt automatically engages when the gate closes, providing secure locking.
- **Enhanced Security:** Integrated shroud protects the latch for added safety.
- **Built to Last:** Marine-grade keypad and stainless steel latch with a powder-coated finish ensure long-lasting durability.
- **Reversible Design:** Latch can be flipped for left- or right-handed gates.
- **Flexible Application:** Suitable for wooden or metal gates, indoors or outdoors.
- **User-Friendly Setup:** Comes with a drilling guide, fixings, and spindle for gates up to 75mm thick.
- **Extension Kit Available:** Supports gates between 75mm and 140mm thick with an optional extension kit.

AVAILABLE VERSIONS

SLDS	Superlatch Digital
SLDSE140	Extension kit for up to 140mm thickness



Gatemaster Gate Locking Bolt

Secure your gate with this easy-to-install robust surface-mounted lock.

Designed for easy installation, it attaches directly to the surface of metal or wooden gates, providing reliable security. To deadlock the gate, simply turn the key behind you.

- **Convenient Access:** Keyed on both sides for simple and secure entry and exit.
- **Versatile Design:** Non-handed, making it suitable for both left- and right-handed gates.
- **Long Throw for Security:** 53mm deadbolt movement with a single turn of the key for a strong, secure lock.
- **Durable Construction:** Made from stainless steel, ensuring reliability in all outdoor environments.
- **Complete Kit:** Supplied with a screw-fixed keep plate (GLBKT) and fixing screws for both the lock and keep plate.
- **Optional Weld-In Lock Plates:** Plates are available for welding or screwing onto the gate, pre-drilled for perfect alignment with the lock. A slotted lock plate paired with the keep plate is ideal for securing double gates (see opposite page).



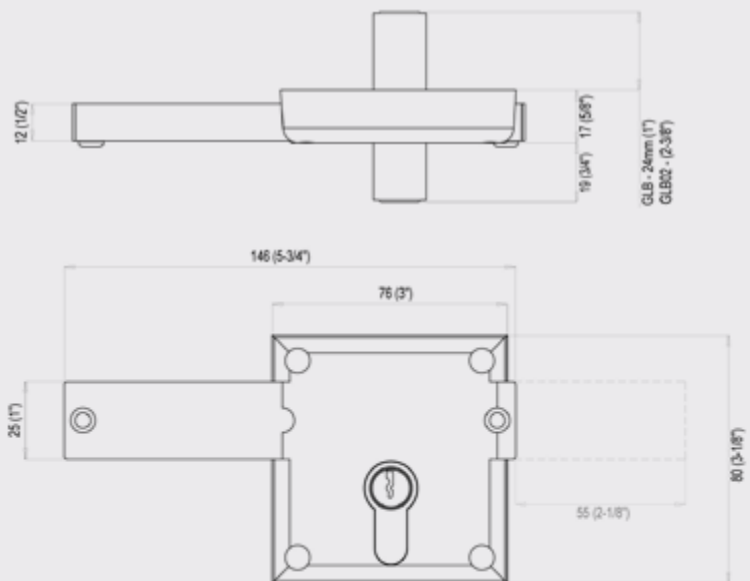
The lock euro cylinder which extends from the back of the lock is available in 2 lengths for different gate thicknesses.

SILVER VERSIONS

GLB	Euro cylinder extends 24mm
GLB02	Euro cylinder extends 60mm

BLACK VERSIONS

GLBB	Euro cylinder extends 24mm
GLBB02	Euro cylinder extends 60mm



GLB Accessories

GLBKT

Screw-Fixed Keep Plate (Included)

Supplied with our Gate Locking Bolt, this stainless steel plate fits securely to the gate post to receive the locking bolt.



SSE

Screw-Fixed Escutcheon (Included)

Fitted around the euro cylinder, this stainless steel escutcheon provides added protection against attack.



GLBST

Slotted Screw-Fixed Lock Plate

Designed for wooden gates, this keep plate attaches to the second gate and passes through the slot in the lock plate, securing with the deadbolt. This helps prevent the gates from being forced open.



GLBP

Standard Lock Plate

Ideal for single gates, this lock plate is supplied with fixing screws. Weld it to the gate and fit the lock once the gate has been galvanised or painted.



GLBS

Slotted Lock Plate

Used for double gates, this keep plate is welded to the second gate and passes through the slot in the lock plate, where it is secured with the deadbolt. This prevents the gates from being forced apart. It can also be used to enhance security on single gates.



GLBK

Weldable Steel Keep Plate

Designed to be welded to the gate post for secure fitting. A screw-fixed version (GLBKT) is supplied with the lock as standard.

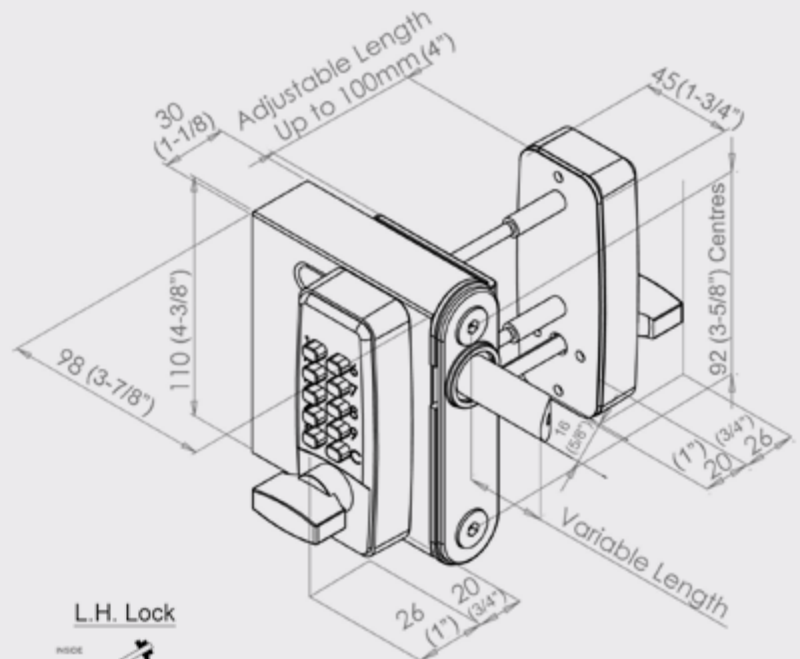


SelectPro Surface-Mounted Code Lock

Achieve secure, keyless access with this high-performance marine-grade digital gate lock.

Perfect for surface fitting on wooden gates, it combines convenience with reliability. Installation is simple, just drill three holes in the gate frame and attach using the supplied fixing screws. The code can be easily customised to suit your needs.

- **Power-Free Convenience:** Mechanical keypads eliminate the need for electricity or batteries, ensuring quick and fuss-free setup.
- **Enhanced Security:** The latchbolt extends up to 20mm into the keep, providing extra-strong locking and increased tolerance.
- **Weather-Resistant Design:** Tested to endure over 1,000 hours of salt spray, offering robust performance in outdoor environments.
- **Effortless Installation:** Supplied with a keep for straightforward fitting to your gate.
- **Auto-Latching Action:** The latchbolt locks automatically when the gate is closed. To unlock, simply enter the code and turn the handle.
- **Extra Security:** Includes a keep for enhanced protection.

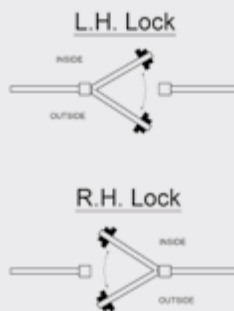


KEYPAD ON BOTH SIDES

DGLWL	Left hand
DGLWR	Right hand

KEYPAD ON OUTSIDE, HANDLE ON INSIDE

DGLSWL	Left hand
DGLSWR	Right hand



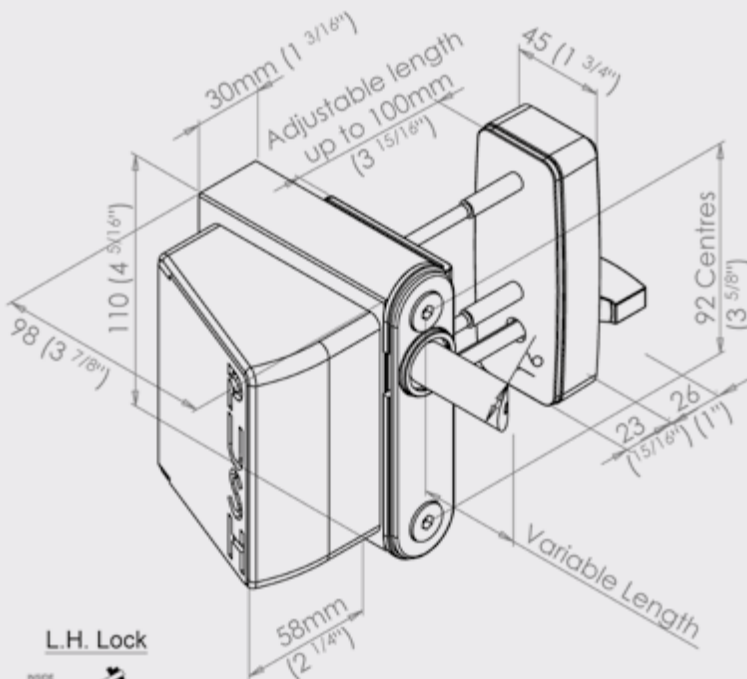
SelectPro Surface-Mounted Quick Exit - Keypad Entry



Provide secure, keyless access and effortless quick exit with this surface mounted gate lock.

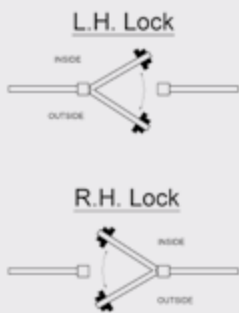
This surface fixed digital code gate lock features a quick-exit push pad on the inside and a digital keypad on the outside. Designed for straightforward installation, it is ideal for both wooden and metal gates, making it perfect for locations requiring convenient exit and keyless entry.

- **Corrosion-Resistant:** Built to withstand the elements, with a digital keypad on one side and a push-exit pad on the other, suitable for wooden and metal gates.
- **Effortless Installation:** Surface-mounted design requires only three drilled holes and screws to fit the lock securely onto the gate.
- **Auto-Latching:** Close the gate to automatically secure it as the latchbolt locks into the frame. To open, simply enter the code and turn the handle.
- **Adjustable Latchbolt:** The latch extends 22mm and can be adjusted in length for precise on-site fitting, ensuring a snug and reliable fit.



AVAILABLE VERSIONS

SBQEDGLWL	Surface fixed quick exit, left hand
SBQEDGLWR	Surface fixed quick exit, right hand



BUILT TOUGH FOR BETTER GATE SAFETY & SECURITY



MORTICE LOCKS DISCREET, ROBUST SECURITY

Our ML4 mortice hook lock is a revolutionary design incorporating a latch and deadlock in one single hooked bolt. Simply slotted into pre-drilled holes in square box section, the Gatemaster mortice lock is highly secure and protected from vandal attacks, blending well into any gate design.

ML4 Mortice Hook Lock 48

MLK Keep 49



1

Compatible Design:
Fits seamlessly into 40mm x 40mm box sections or larger.

2

Complete Solution:
Available with a full hardware kit for convenience.

3

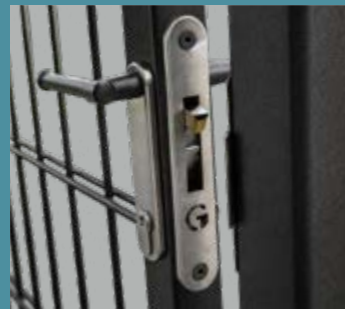
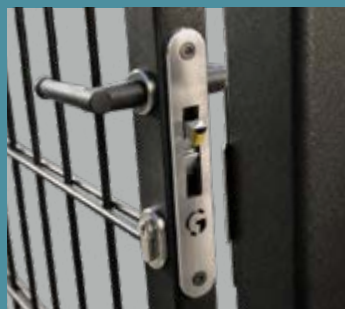
Corrosion-Resistant:
Made entirely from stainless steel for long-lasting durability.

4

Effortless Installation:
Simply slot into pre-cut holes in the gate for quick fitting.

5

Versatile Adjustment:
Adjustable latch tip for both left- and right-handed gates.

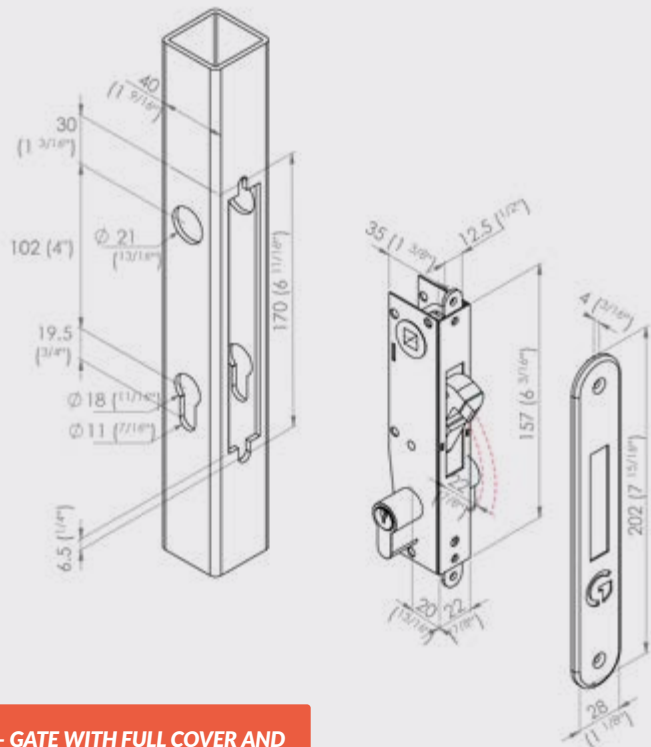


ML4 Mortice Hook Lock

The Gatemaster Mortice Hook Lock offers a perfect blend of strength, security, and stylish design for professional gate systems.

This innovative stainless steel lock combines a latch and deadlock in a single-action bolt, offering exceptional durability and effortless installation. Designed for 40mm x 40mm box sections, it slides neatly into place without the need for drilling or tapping.

- **Extra Strong:** Proven to withstand 1,000,000 openings for long-lasting performance.
- **Effortless Installation:** Once the profile is cut, the lock slides into position and secures with its own fixings.
- **Highly Secure:** The solid stainless steel hooked bolt resists forcing or levering attempts by intruders.
- **Weatherproof:** Constructed with premium stainless steel and brass components for superior corrosion resistance.
- **Universal Fit:** Adjustable latchbolt makes it suitable for both left- and right-handed gates.
- **Easy Operation:** Operate the latch with a handle or key, and deadlock it for added security.
- **Customisable Style:** Choose a separate cylinder and handle cover for a clean, minimal look or a one-piece polished cover plate for a sleek finish.
- **Comprehensive Kit:** Includes bolt-on keep, handles, cover plates, and a euro cylinder for a complete installation.



AVAILABLE VERSIONS

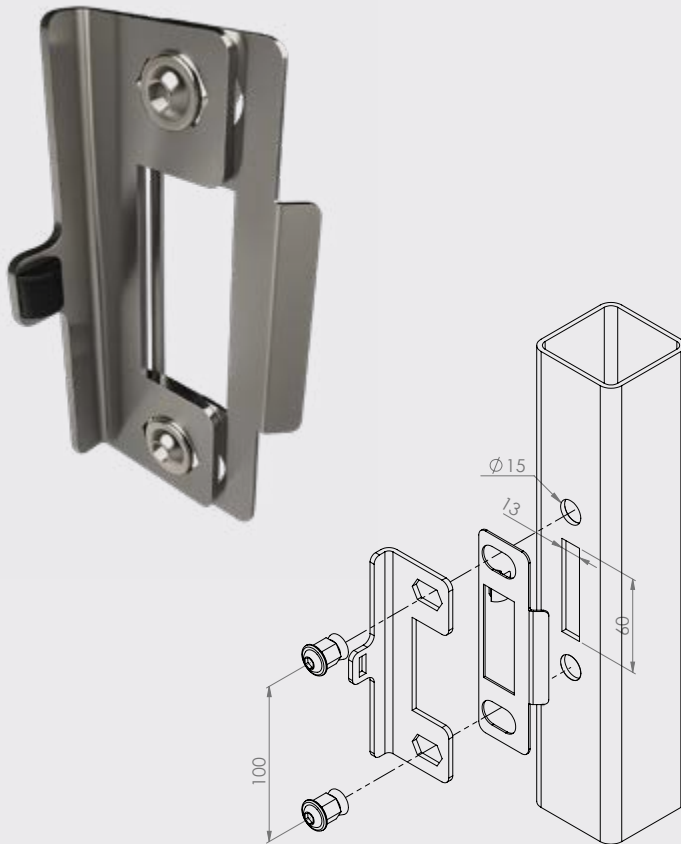
ML4DCP	Kit with dual cover, plain handles
ML4DCO	Kit with dual cover, ornamental handles
ML4FCP	Kit with full cover, plain handles
ML4FCO	Euro cylinder extends 60mm



LEFT - GATE WITH FULL COVER AND ORNAMENTAL (O) HANDLES

RIGHT - GATE WITH DUAL COVER AND PLAIN (P) HANDLES

Mortice Lock Keep (Included with the ML4)



Complete your gate system with this keep, designed to pair seamlessly with the mortice hook lock.

The stainless steel lock keep enhances the gate post's appearance while providing a secure and professional finish.

- **Sleek Design:** Covers the slot in the gate post for a neat, unobtrusive look.
- **Effortless Installation:** Simply bolts to the gate post using the included innovative expanding fasteners.
- **Adjustable Fit:** Compatible with post sizes from 40mm to 60mm.

MLK

Mortice Lock Keep



ML4 Handles



Profiled Handle

SEE PAGE 54



Traditional Handle

SEE PAGE 54



Stainless Steel

SEE PAGE 54

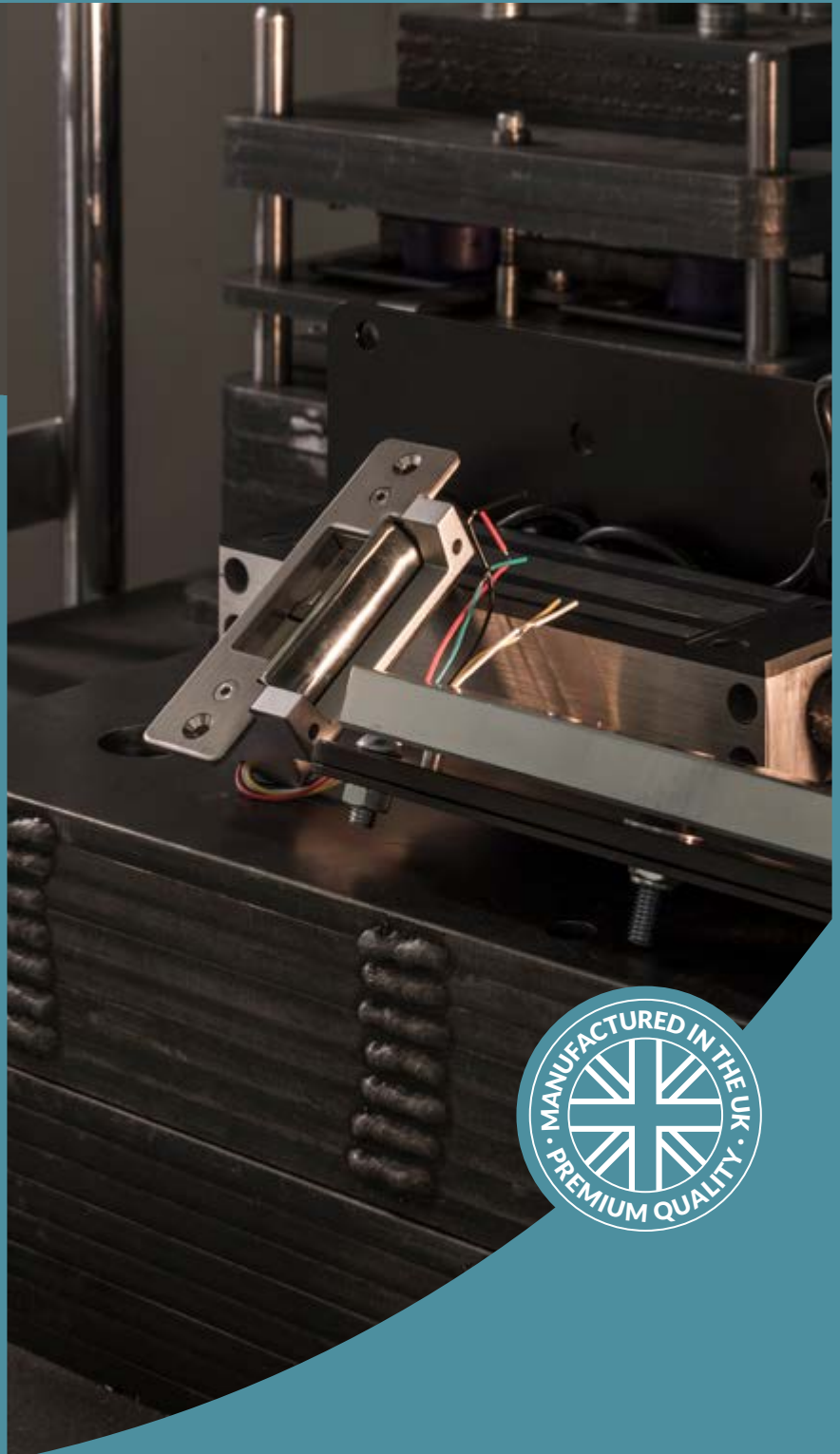
BUILT TOUGH FOR BETTER GATE SAFETY & SECURITY

ELECTRIC LOCKS POWERFUL MAGLOCK SOLUTIONS

The Gatemaster electro-magnet kit provides an easy and secure solution for locking gates electronically. Designed for outdoor use, the kit can work as part of a larger electronic gate system which can include a range of functions such as electric gate openers and intercom.

EMGK Electro-magnetic lock kit 51

ERHDM Electric release, mortice, heavy duty, monitored 52



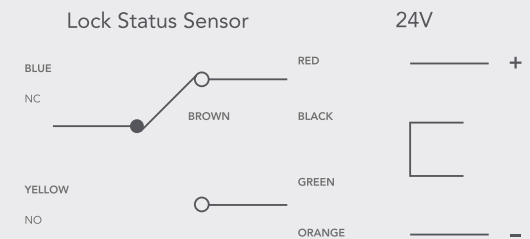
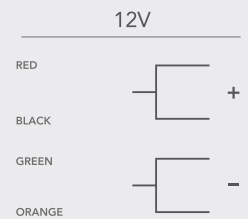
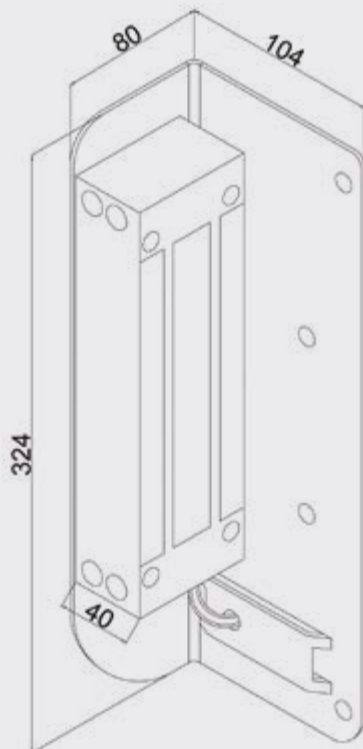
Electro-Magnetic Lock Kit



The high-quality maglock system is the simplest way to install maglock, delivering seamless compatibility for your access control needs.

Designed for effortless installation, it includes fixing plates and pull handles, making it easy to operate while seamlessly integrating with any access control system. The maglock can be activated via a keypad, switch, or proximity fob.

- **Exceptional Strength:** Stainless steel maglock with a 545kg holding force and durable powder-coated attachment plates with built-in pull handles for smooth gate operation.
- **User-Friendly:** Maglock includes a switch to provide locked/unlocked status signals.
- **Effortless Installation:** Simply bolt to the gate and wire up using the provided fixings.
- **Hassle-Free Solution:** The simplest way to fit a maglock system to any gate.



AVAILABLE VERSIONS

EMGK Gate maglock system

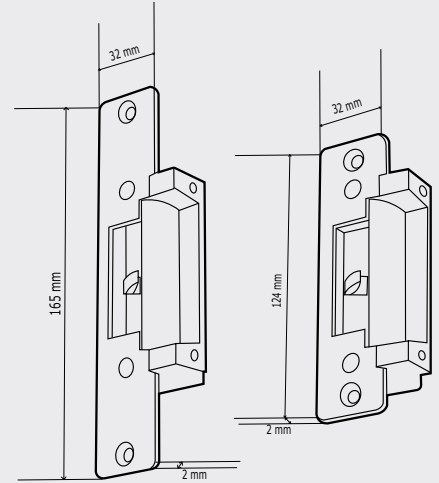


Electric Release, Mortice, Heavy Duty, Monitored

This robust electric release is designed to confirm whether a gate is securely closed. It offers the flexibility to convert between fail-safe mode (unlocks when power fails) and fail-secure mode (remains locked when power fails) depending on your application needs.

- **Built to Last:** Features a stainless steel faceplate and a deep locking tongue for increased gate tolerance.
- **Flexible Installation:** Can be set to fail-safe or fail-secure based on the specific requirements of your gate system.
- **Professional Fit:** Morticed fit into the gate frame for a secure and reliable installation.

Note: We recommend contacting an electrician or electric gate specialist for installation.



ERHDM

Electric release, mortice, heavy duty, monitored

THE BIKE STORAGE LOCK SOLUTION



Pair the Electric Release with the Superlock Keylatch to create the ideal locking system for bike storage units or other external storage spaces.

This combination integrates seamlessly with an electronic access control system, allowing the lock to be opened via a fob reader or your preferred entry method. For added versatility, it also includes the option to use a key as a secondary means of access.

To exit, you can install an electronic push button for convenience or opt for a thumb-turn cylinder on the lock. This simple and cost-effective solution ensures quick and easy exit while maintaining security. Our APS closer is an ideal addition to ensure the gate closes securely every time.

- **Convenient Access:** Integrates with your chosen electronic entry method for effortless operation.
- **Quick Exit:** Optional internal thumb-turn allows for one-handed exit.
- **Customisable Security:** Configure the keep to fail-safe (unlocks during a power cut) or fail-secure (remains locked).
- **Enhanced Protection:** The keep safeguards both the latch and the gate frame.





SUPERIOR SOLUTIONS FOR GATE SAFETY & SECURITY

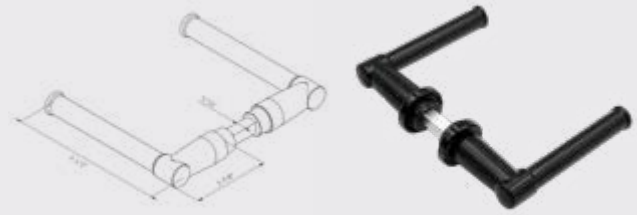
LOCK HANDLES SELECT YOUR STYLE

Our selection of handles is designed to complement any gate style, from ornate and traditional to sleek and modern designs. Crafted from durable aluminium or stainless steel, these handles are built to last. The perfect handle can truly enhance the appearance of your gate, which is why we offer a range to suit every preference and aesthetic.





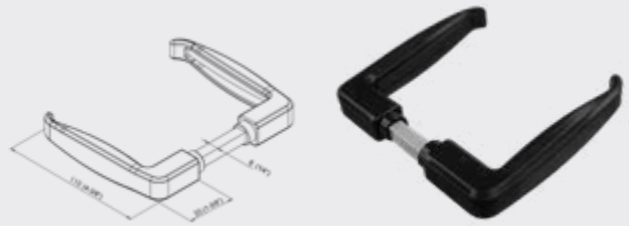
R Round handle set



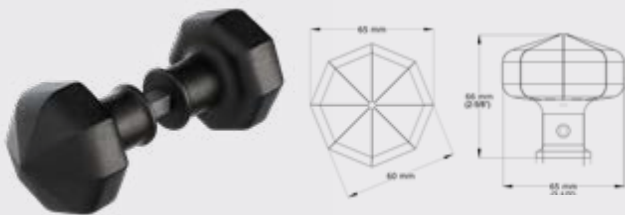
P Profiled handle set



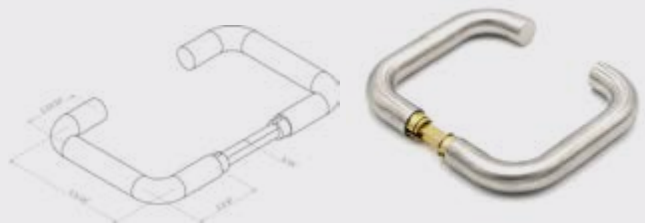
T Twisted handle set



AH Alloy handle set



OK Octagon knob handle set



SSH Stainless steel handle set



BLD + PH see page 8



SWLD + AH see page 33

BUILT TOUGH FOR BETTER GATE SAFETY & SECURITY

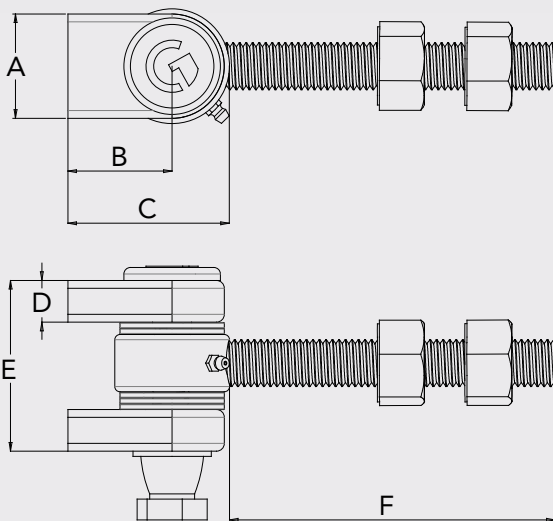
GATE HINGES

Gate hinges are one of the most vital components of any gate, ensuring both smooth operation and user safety. That's why we prioritise the use of premium materials and expert engineering, guaranteeing our hinges don't just meet expectations—they exceed them.

SH SuperHinge	57
STHBP Stop Hinge	58
SCP Security Collars	59



Gatemaster Superhinge



With our 20-year guarantee we're confident in the reliability of the Gatemaster Superhinge. Built for strength and longevity, it delivers unbeatable performance.

Designed for heavy-duty performance, the Superhinge is tested to 500,000 openings with minimal wear and incorporates brass bearings for a smooth, consistent action. Backed by a lifetime guarantee, this hinge ensures your gate operates flawlessly for decades.

- **Superior Strength:** Strength-tested to support gates up to 900kg per pair.
- **Ultra-Durable:** Proven to withstand 500,000 openings—equivalent to 50 years of daily use (25 openings a day) with no wear.
- **Built for Automation:** Low-friction design makes it ideal for use with automated gates.
- **Precisely Adjustable:** Features an adjustable bolt for accurate on-site fitting.



GATEMASTER GUARANTEE:

We're confident in the exceptional wear resistance of these hinges and guarantee to replace any hinge showing excessive wear within 20 years of purchase.

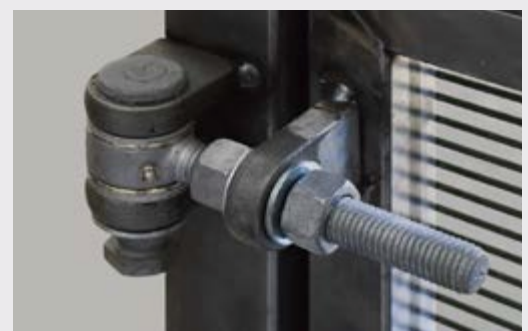
THE SUPERHINGE ALSO COMES IN A CORNER LUG VERSION

SH16C	M16 thread, corner lug, 150kg weight limit/pair
SH20C	M20 thread, corner lug, 300kg weight limit/pair
SH25C	M24 thread, corner lug, 450kg weight limit/pair
SH30C	M30 thread, corner lug, 900kg weight limit/pair

AVAILABLE VERSIONS

SH16	M16 thread	150kg weight limit/pair
SH20	M20 thread	300kg weight limit/pair
SH25	M24 thread	450kg weight limit/pair
SH30	M30 thread	900kg weight limit/pair

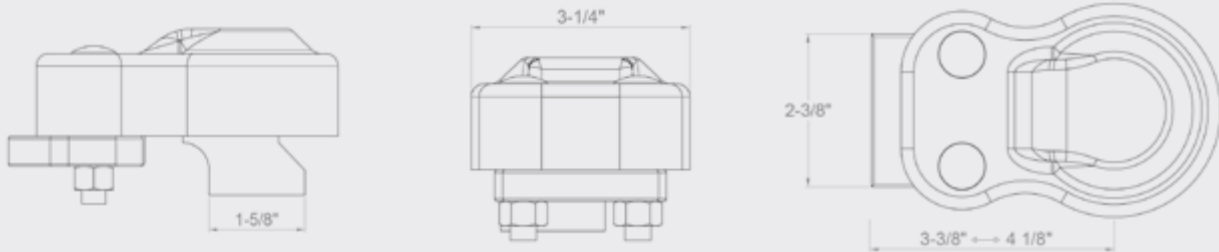
	A	B	C	D	E	F
SH16	36mm	36mm	54mm	15mm	58mm	100mm
SH20	40mm	40mm	62mm	16mm	66mm	125mm
SH25	60mm	40mm	69mm	20mm	80mm	150mm
SH30	64mm	45mm	77mm	24mm	94mm	200mm



Stop Hinge & Bottom Pivot Set

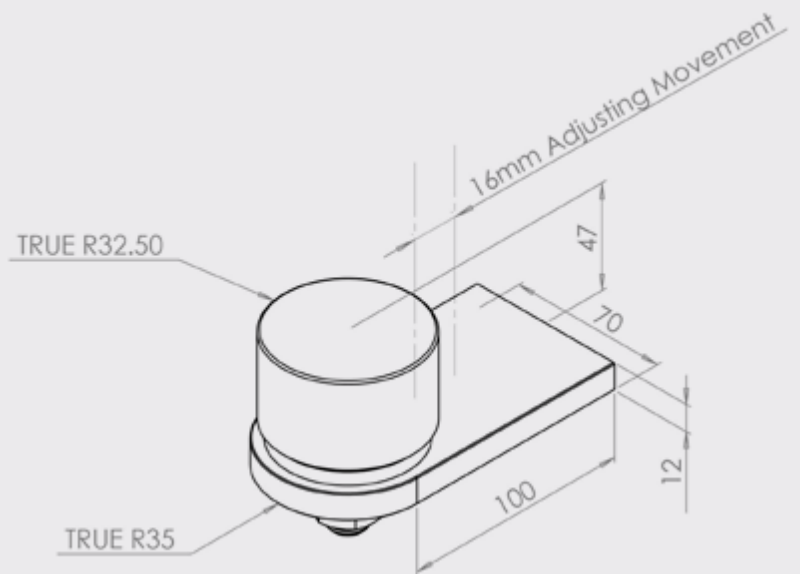
This durable weld-in hinge kit combines practicality, adaptability, and safety for reliable gate installations. Designed with an integral stop to prevent the gate from opening beyond 100°, it ensures both safety and ease of use while maintaining a sleek, functional design.

- **Improved Safety:** The integral stop eliminates the need for ground stops, reducing trip hazards.
- **Minimized Pinch Points:** Limits gate opening to 100° to keep gaps small and reduce potential risks.
- **Precisely Adjustable:** Both the top and bottom hinges offer on-site adjustment for accurate fitting.
- **Versatile Design:** Easily adaptable for use with both left- and right-handed gates.
- **Centred Pivot Option:** The gate pivot can be positioned at the centre of the gate stile for balanced operation.



AVAILABLE VERSIONS

STHBP Stop hinge and bottom pivot set



Push-Fit Security Collars



Gatemaster's Security Collars are the simple yet effective solution for protecting and enhancing gate hinges.

Designed for gates with hook and eye hinges, they prevent the gate from being lifted off while adding a polished finish to the hinge.

- **Added Security:** Protrusions inside the collar grip the metal of the gate hook, preventing removal once installed.
- **Fit in Seconds:** Quick and effortless installation, simply push onto the gate hook for a secure fit.
- **Professional Appearance:** Stainless steel cap provides a sleek and attractive finish for a tidy, professional look.



AVAILABLE VERSIONS

SCP12	Security collar for 12mm pin
SCP16	Security collar for 16mm pin
SCP19	Security collar for 19mm pin
SCP22	Security collar for 22mm pin

Closing Hinges



Hydraulic Gate Closer

SEE PAGE 63



Light Duty Spring Closer

SEE PAGE 65

BUILT TOUGH FOR BETTER GATE SAFETY & SECURITY

GATE CLOSERS

Gatemaster offers one of the largest ranges of mechanical gate closers globally. Designed to be easily adjustable and built to perform in any environment, our closers provide reliable functionality for all types of gates.

APS Hydraulic Gate Closer	61
GSB Gate Closing Strut	62
LDSGC Light Duty Spring Closer	63

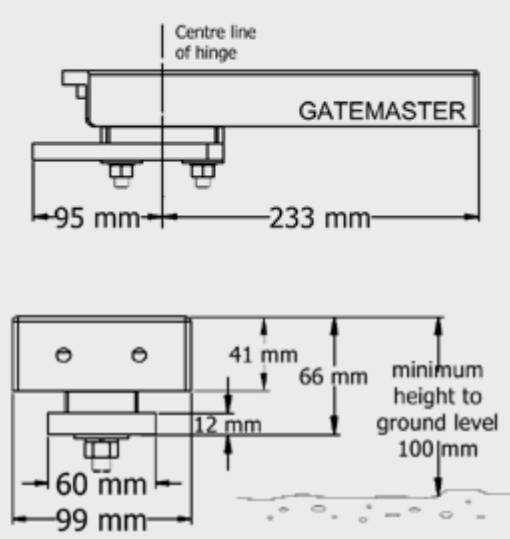


APS Hydraulic Gate Closer & Hinge Kit

Ensure safe and adjustable gate closure with this unobtrusive hydraulically controlled gate closer. Designed with proven technology, this kit is perfect for gates that require automatic self-closing functionality.



- **Safe Dual-Phase Closing:** The APS closer features controlled dual-phase closing speeds, preventing the gate from slamming and ensuring user safety.
- **Fully Adjustable:** Closing and latching speeds can be customised to suit the specific use case.
- **Strong Performance:** Capable of reliably closing gates up to 150kg in weight.
- **Vandal-Resistant:** The durable closing unit is mounted underneath the gate, offering added protection from tampering.
- **Unobtrusive Design:** Installed at the bottom of the gate, the closer also functions as a load-bearing lower hinge, keeping the system compact and efficient.
- **No Power Needed:** As a hydraulic closer, it operates without the need for any electricity.
- **Hinge Options:** Choose between a standard built-in hinge (APS) or one with a built-in stop to prevent the gate from opening beyond 90° and damaging the closer (APSSTOP).
- **Bolt-On Version Available:** Also available as a bolt-on version (APSW) for flexible installation.



APSTOP SHOWN IN GATE

AVAILABLE VERSIONS	
APS	Standard hinge
APSTOP	Gate closer with stop hinge
APSW	Gate closer, bolt-on installation



Gate Closing Strut

Ensure smooth and reliable gate closing for both metal and wooden gates with the GSB gate closer.

Perfect for gates weighing up to 80kg, this durable closer uses hydraulic damping to ensure the gate closes slowly and steadily. Simply weld or screw fix the brackets to the gate and post, and attach the closer for consistent, reliable performance.

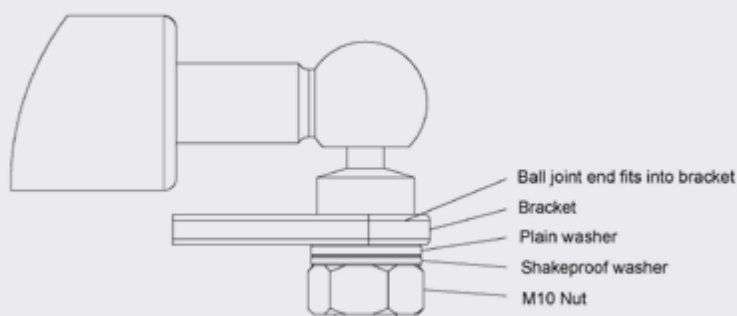
- **Proven Reliability:** Our trusted gate closer solution has been reliably closing gates for years.
- **Adjustable Force:** No need to release gas, simply move the closer along the brackets to adjust the closing force, giving you full control over the gate's movement.
- **Effortless Fitting:** Adjustable brackets ensure easy installation, with no need to compress the strut.
- **Versatile Installation:** Comes with both weld-on and screw-fix brackets, allowing easy fitting to a wide range of gate types.
- **Handles Heavier Gates:** Can close much heavier gates if the hinges are free-running; contact us for advice on your specific gate.
- **Optional Force Reduction:** For permanent force reduction, a gas release tool is available. Get in touch with the Gatemaster team for more details.

Available with weld-fix or screw-fix brackets, the GSB gate closer is suitable for both metal and wooden gates.



AVAILABLE VERSIONS

GSB	Weld-fix bracket
GSBW	Screw-fix bracket



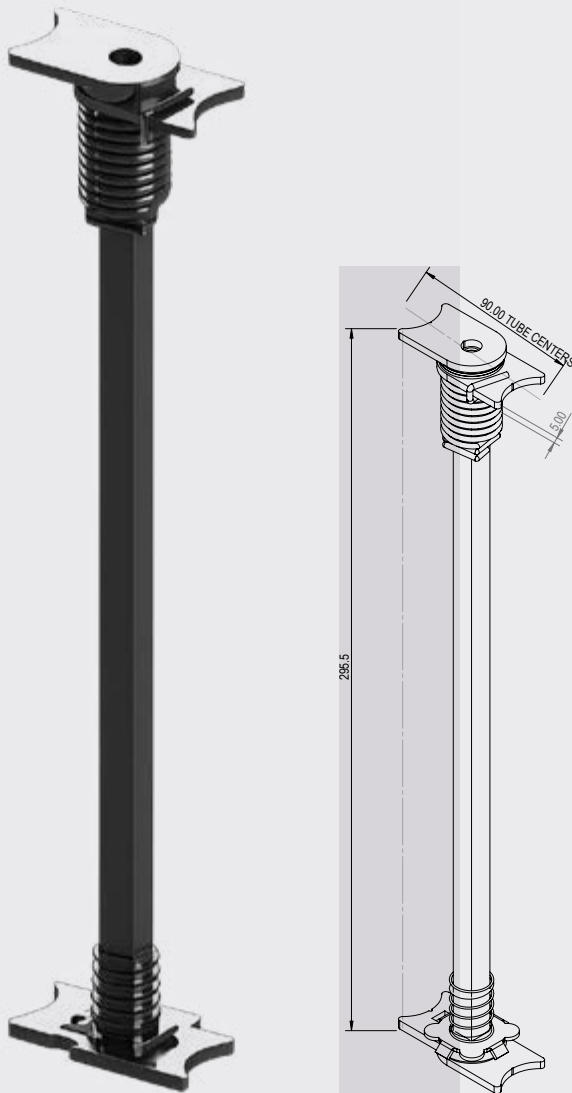
**SCREW-FIX VERSION (GSBW)
SHOWN FITTED TO GATE**

Light Duty Spring Closer

Keep access gates safely closed with this light-duty gate closer.

For gates requiring a reliable and safe closing mechanism, this closer is easy to weld onto smaller gates and fabrications, ensuring consistent and dependable performance. This dependable gate closer is a perfect solution for ensuring safety on access gates for commercial and work sites.

- **Effortless Installation:** Simply weld on the lugs and adjust the force as needed.
- **Customisable Tension:** On-site spring tension adjustment is quick and easy, just lift and rotate the adjuster wheel.
- **Ready to Finish:** Supplied to self-colour, allowing for galvanising and painting to match the gate.
- **High Quality & Long-Lasting:** Precision engineered and built with durable materials to provide reliable performance and withstand daily use over time.



AVAILABLE VERSIONS

LDSGCL	Left hand
LDSGCR	Right hand



“Great service, competitive products, highly recommended and will have no hesitation in using again for future orders!”

BUILT TOUGH FOR BETTER GATE SAFETY & SECURITY

GATE ACCESSORIES

Our range of gate accessories is designed with ease and practicality in mind. From enhanced drop bolts with improved usability and security to gate bump stops and innovative gate security solutions, we offer everything you need for reliable and efficient gate safety and operation.

Drop Bolts	66
Buffers	70
Safety & Security	72





Drop Bolts
Secure In-Ground Protection

Our drop bolts are thoughtfully engineered to prevent lifting by intruders when both gates are closed, offering superior security compared to standard designs.

66



Buffers
Silent, Smooth Closing

Keep your gate closing quietly with our bump stops, available as standalone products or combined slam plates with pre-fitted stops for added convenience.

70



Safety & Security Products
Protecting People and Properties

Explore our range of innovative solutions designed to enhance property security and ensure the safety of gate users.

72

BUILT TOUGH FOR BETTER GATE SAFETY & SECURITY



DROP BOLTS RELIABLE IN-GROUND SECURITY

At Gatemaster, we're committed to continuous innovation, delivering a range of products designed to enhance gate security. Our drop bolts are specifically engineered to prevent gates from being forced apart, ensuring robust protection.

With options for both metal and wooden gates, our drop bolts are built for heavy outdoor use, featuring solid construction and a durable galvanised or stainless steel finish.

LDB Locking Drop Bolt	67
ADB Auto-locking Drop Bolt	68
CD Concealed Drop Bolt	69



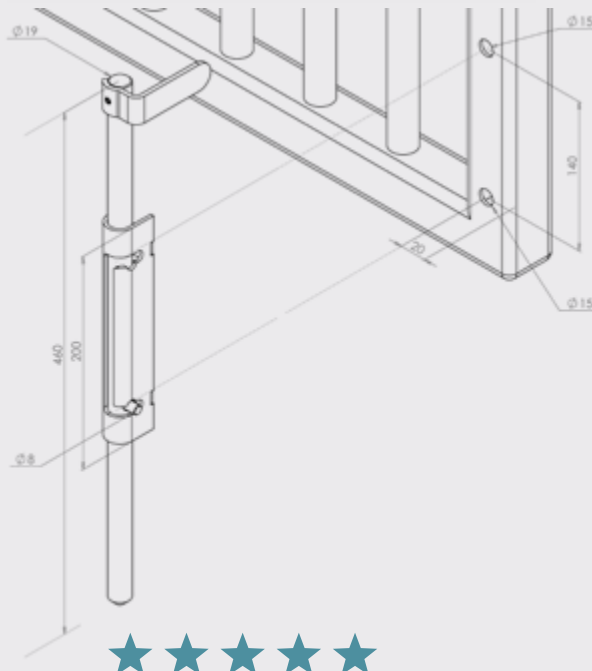
Secure Locking Drop Bolt



Secure your double gates with this simple yet innovative locking drop bolt.

Designed for strength and ease of use, it fits easily to the gate with expanding fasteners. Made for double gates, the locking plate is rotated round the edge of the gate frame, and cannot be lifted once the second gate is closed.

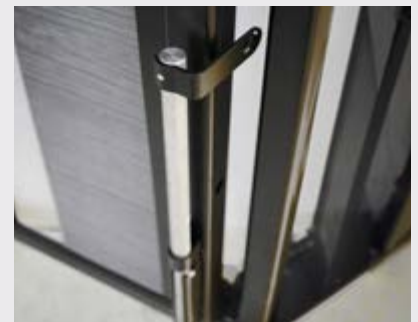
- **Robust Build:** Strongly constructed and available in aluminium or stainless steel finishes for durability.
- **Easy to Install:** Requires only two 13mm holes in the gate and secures with the included expanding fasteners.
- **Adaptable Design:** Suitable for both left- and right-handed gates.
- **Simple to Secure:** When the drop bolt is lowered and rotated, closing the second gate ensures it cannot be unlocked.



“Talked me through the gate issue, gave very useful specific advice.”

AVAILABLE VERSIONS

LDB	Locking drop bolt, aluminium
LDBSS	Locking drop bolt, stainless steel



Auto-Locking Drop Bolt

Secure your double gates with this heavy-duty auto-locking drop bolt.

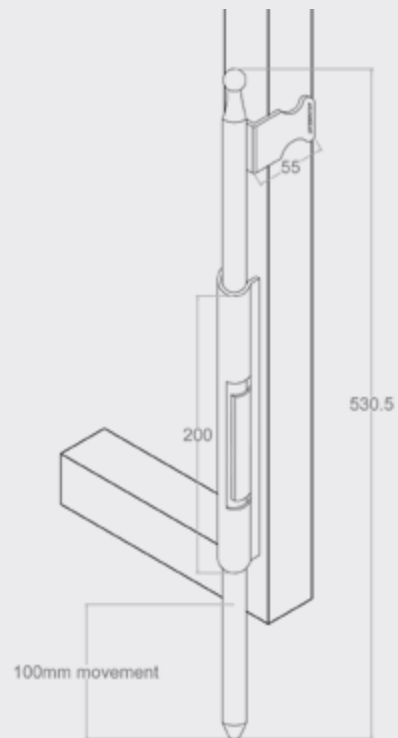
Designed for durability and functionality, the drop bolt locks securely into position when lowered and rotated, with the lifting plate folding across the edge of the gate. Once the second gate is closed, the bolt cannot be unlocked.

- **Robust Build:** 19mm drop bolt with a 100mm throw ensures the gate is firmly secured into the ground.
- **Flexible Installation:** Available in both weld-fix and bolt-on versions to suit your requirements. The bolt-on version is supplied with fixing bolts.
- **Clever Security:** Ingenious design prevents the drop bolt from being lifted when both gates are closed.
- **Versatile Design:** Suitable for use with both left- and right-handed gates.

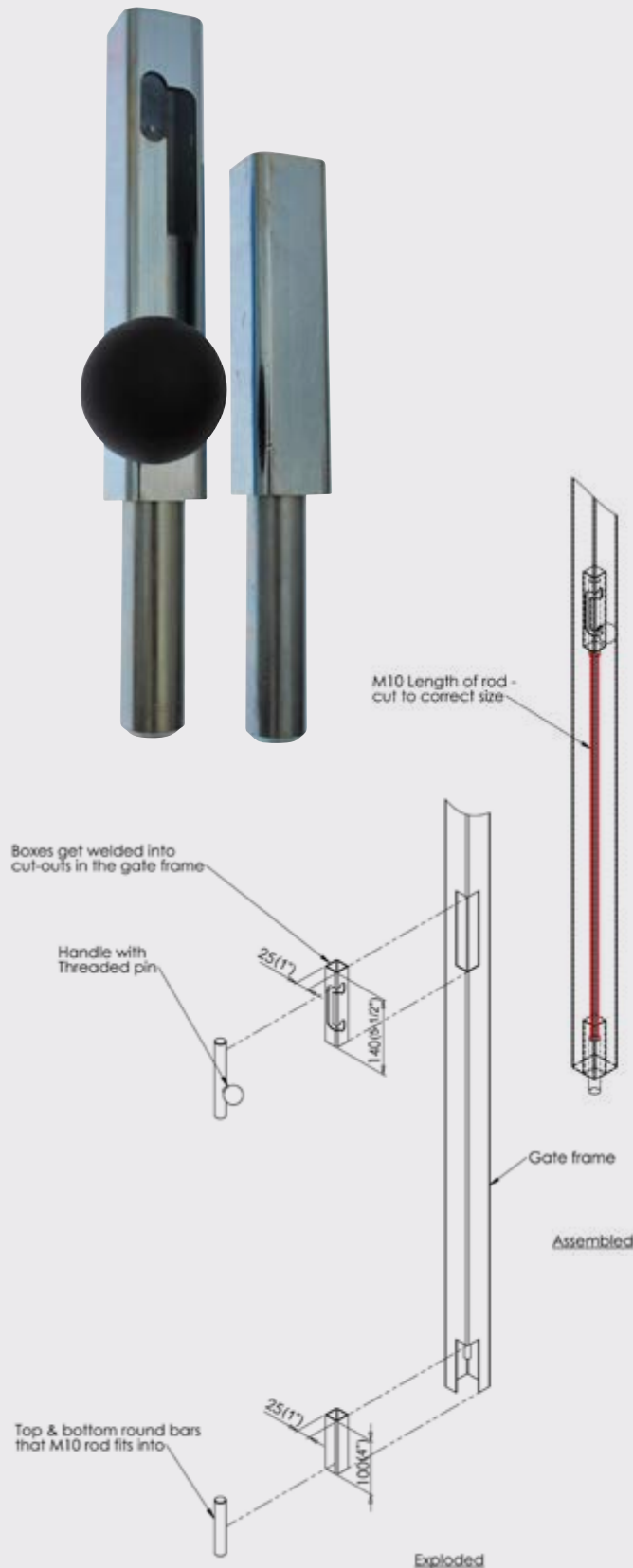


AVAILABLE VERSIONS

ADB	Weld-on
ADBS	Screw-fixed



Concealed Vertical Drop Bolt



Keep your gates secure with this sleek and tamper-proof drop bolt.

Designed to fit neatly within the box section of single or double gates, this innovative drop bolt is discreet, durable, and highly effective. Simply cut slots in the gate stile, weld in the supplied boxes, and assemble with M10 threaded bar (not included) for a secure and professional finish.

- **Tamper-Proof Design:** The drop bolt is fully enclosed within the gate frame for added security.
- **Simple Assembly:** Uses M10 studding that can be cut to length, making it suitable for a range of gate sizes.
- **Versatile Fit:** Compatible with any box section larger than 30mm x 30mm.
- **Clever Security for Double Gates:** On the double-gate version, the drop bolt can be lowered, rotated, and locked in position. Closing the second gate ensures it cannot be unlocked.

Available in two versions: one for single gates and one for double gates.

AVAILABLE VERSIONS

CDS	Single gate drop bolt
CDD	Double gate drop bolt



BUILT TOUGH FOR BETTER GATE SAFETY & SECURITY

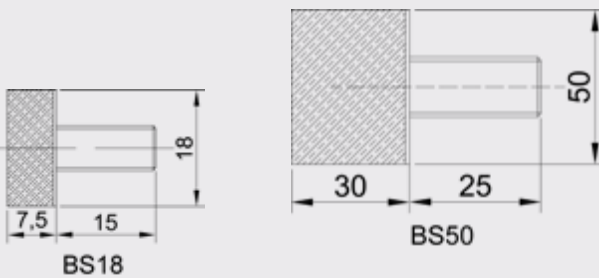
BUFFERS SILENT CLOSING

Gate buffers are essential for preventing noisy gate closures, ensuring the gate closes smoothly without a loud bang. They are particularly beneficial in residential areas where gates are in constant use, helping to minimize noise and disruption.

For added convenience, we also offer buffers pre-fitted to a bracket that doubles as a gate stop, eliminating the need to install a separate stop to prevent the gate from swinging back in the opposite direction.



Gate Bump Stop



These bump stops will reduce the noise and vibrations of the gate banging shut, often used in residential areas where noise can disturb the public.

- **Noise Damper:** Reduces the noise made when a gate closes.
- **Easy to install:** Simply screw into the gate stop with the nut provided.

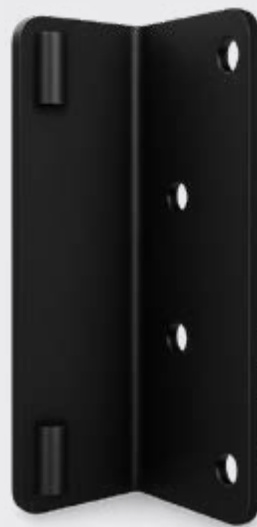
AVAILABLE VERSIONS

BS18	18 diameter × 7.5mm, M6 × 15 thread
BS50	50 diameter × 30mm, M10 × 25 thread

Gate Silencer Kit

Ensure quieter gate closing with a gate silencer kit. This is an angle bracket fitted with 2 bump stops which can be easily fitted to existing gates to prevent banging when the gate closes.

- **Easy to Fit:** Kit comes fully assembled to be bolted onto the gate post and supplied with fixings.
- **Durable:** Black powder coat finish, designed for use outside.



AVAILABLE VERSIONS

GSK	Gate silencer kit
-----	-------------------



BUILT TOUGH FOR BETTER GATE SAFETY & SECURITY

GATE SAFETY & SECURITY ENHANCING PROPERTY PROTECTION

Our range of innovative solutions is designed to ensure the security of properties and the safety of gate users. Our safety and security products are engineered to be both practical and long-lasting.

GRS Gate Safety Restrainer 74

Other Safety & Security Products 75



1

Strength: Braided wire construction provides superior strength for reliable performance.

2

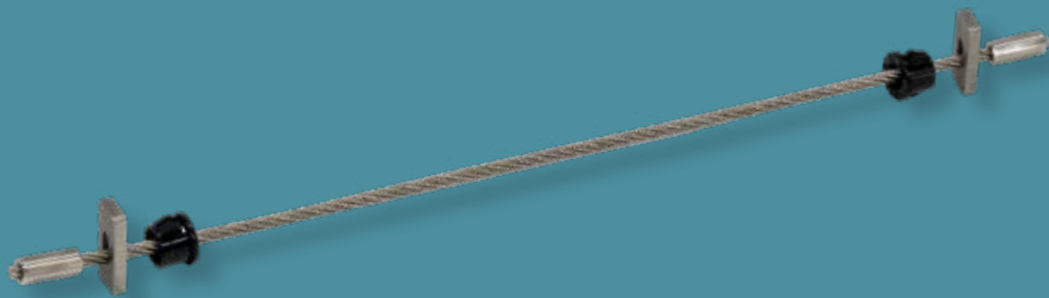
Durability: Stainless steel offers exceptional corrosion resistance, making it ideal for outdoor use.

3

Simplicity: Simple installation requires just two drilled holes, with stop ends that push in easily.

4

Smoothness: Plastic caps ensure smooth operation, allowing the system to slide in and out effortlessly.



Gatemaster Gate Restrainer

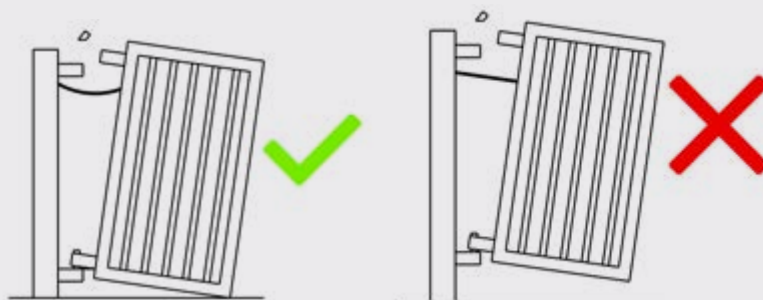
Improve safety and protect your property and pedestrians with the stainless steel gate restrainer.

This safety device is designed to reduce the risk of gates falling in the event of hinge failure, offering an essential backup for swing gates where there is a risk of hinge failure causing harm or property damage.

- **Heavy Duty:** Made from flexible braided stainless steel wire and stainless steel end stops for robust performance.
- **Easy Installation:** Requires just two 13mm holes for quick and simple fitting.
- **Versatile:** Compatible with any box section gate and can be easily retrofitted to existing gates.
- **Weather-Resistant:** Crafted from stainless steel, making it ideal for all outdoor environments.
- **Sleek and Discreet:** Offers a neat, unobtrusive finish that complements any gate colour.
- **Tested for Strength:** Proven to withstand gates up to 500kg in weight.



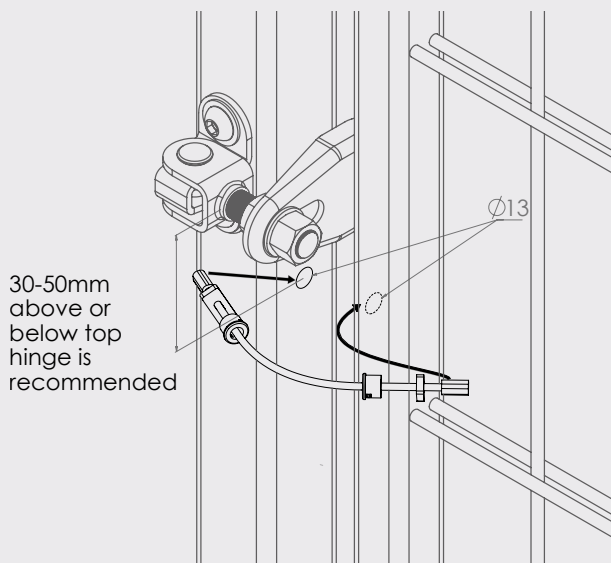
Please note: This solution assumes that, in the event of hinge failure, the edge of the gate will hit the ground before the restrainer engages. The device is designed to prevent the gate falling sideways, not to bear its full weight. If the gap from the bottom of the gate to the ground exceeds the length of the restraining device, it may not be suitable for your gate.



AVAILABLE VERSIONS

(based on a maximum gate width of 8.2ft)

GRS03	For gates up to 260kg
GRS04	For gates up to 500kg



Weld-On Security Escutcheon

Weld on to protect an exposed euro cylinder from attack.

AVAILABLE VERSIONS

WSE04	4mm thickness
WSE08	8mm thickness
WSE12	12mm thickness



Stainless Steel Security Escutcheon

Screw-fixed escutcheon to cover euro cylinder hole and protect it from attack.

AVAILABLE VERSIONS

SSE	Stainless steel security escutcheon
-----	-------------------------------------



Push-Fit Security Collar

Fit to a hook and eye type hinge to prevent the gate being lifted off.

AVAILABLE VERSIONS

SCP	Push-fit security collar
-----	--------------------------



SEE PAGE 59 FOR MORE INFORMATION

Light Duty Spring Closer

Used on sites or platform gates to ensure gate is always kept closed, keeping workers safe.

AVAILABLE VERSIONS

LDSGC	Light duty spring closer
-------	--------------------------

SEE PAGE 63 FOR MORE INFORMATION



Product Codes A-Z

To find the full code for product variations please go to the page and check the available versions.

ADB	68	DGLW	44	SBL	24
AH	55	DROPBOLTS	66	SBLD	21
APS	61	EMGK	51	SBQEDG	26
APSTOP	61	ERHDM	52	SBQEDGLW	45
APSW	61	GLB	42	SBQEK	25
BD	9	GLBB	42	SBQENA	27
BDG	11	GRS	74	SBQES	30
BDGRR	13	GSB	62	SCP	59
BDGSRR	13	GSK	71	SELECTPRO BOLT-ON	20
BDGS	12	HANDLES	54	SELECTPRO WELD-IN	32
BDGSW	40	LDB	67	SGLD	16
BDGW	39	LDSGC	63	SH	57
BK	10	ML4	48	SHROUDS	18, 30
BLD	8	MLK	49	SLDS	41
BQS	18	OK	55	SSE	36
BQDG	14	P	55	SSH	55
BQK	15	PS	55	STHBP	58
BS	71	QUICK EXIT	14-16, 25-27	SUPERHINGE	57
BSK	17	R	55	SUPERLOCK	6
BQS	18	RAPIDRESET	13	SWD	34
CDD	69	RBA	19	SWKLLT	35
CDS	69	RS	55	SWLD	33
DGL	28	SBD	22	T	55
DGLS	29	SBKLLT	23	WSE	36



Need help choosing the right gate hardware? Our team is on hand to offer expert advice and practical solutions for your application. Get in touch to discuss your requirements.



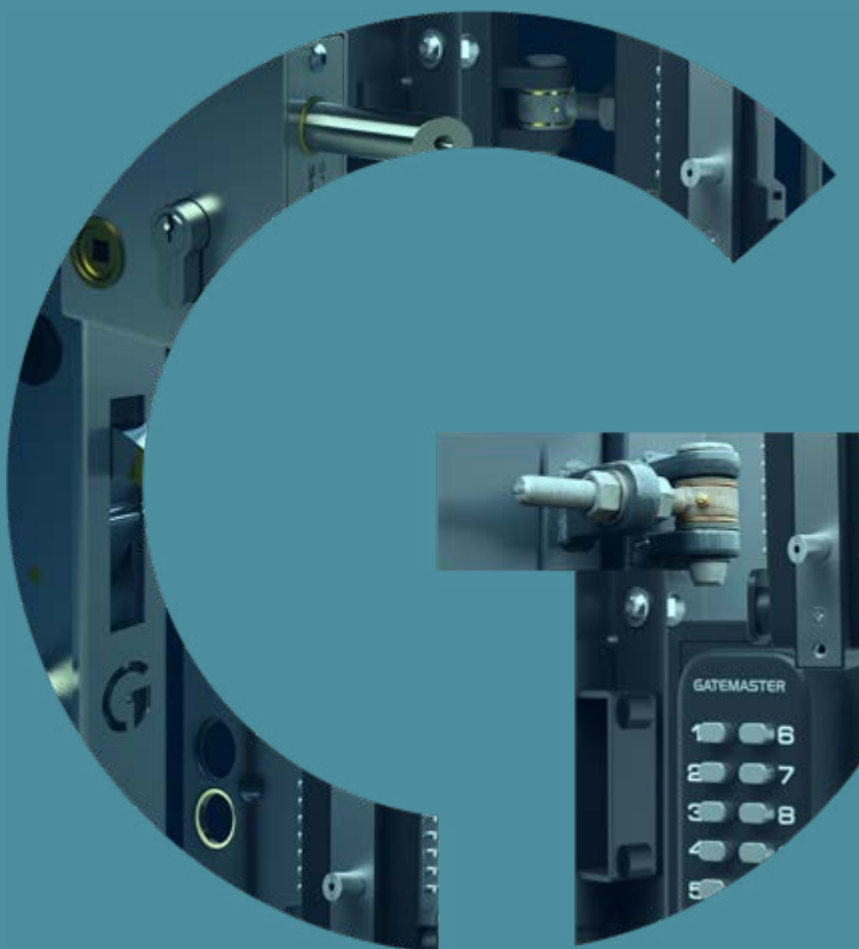
+44 (0)1243 558580



sales@gatemasterlocks.com



www.gatemasterlocks.com



Unit 3 & 5 Dickinson Place,
Durban Road Industrial Estate,
Bognor Regis,
West Sussex,
PO22 9QU,
United Kingdom

Phone: +44 (0)1243 558580

Email: sales@gatemasterlocks.com

www.gatemasterlocks.com



FS 764131