

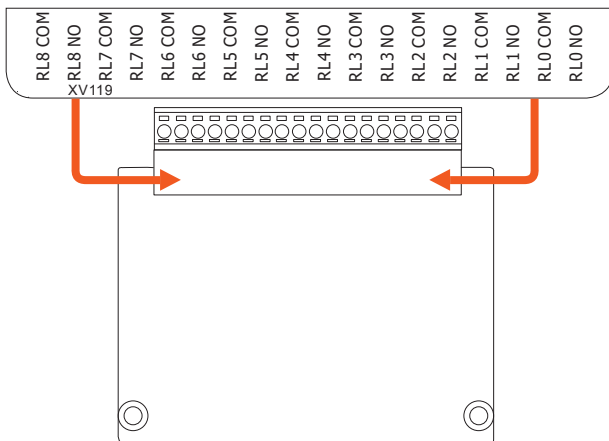
## XV119

### 9-channel Signal Relay Output Module

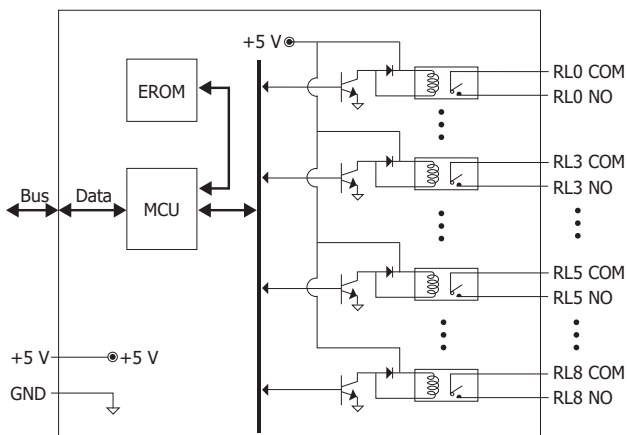
#### Introduction

The XV119 provides 9 Form A Signal relay output channels. The XV119 also provides options for configuring power-on and safe digital output values. 4 kV ESD protection and 3750 VDC intramodule isolation are also provided to enhance noise immunity capabilities in industrial environments.

#### Pin Assignments



#### Internal I/O Structure



#### Features

- 9 Signal Relay Output channels
- 4 kV ESD Protection
- 3750 VDC Intra-module Isolation
- Configurable Power-on Value Settings
- Configurable Safe Value Settings
- Wide Operating Temperature Range: -25 ~ + 75°C



#### Specifications

Isolation		
Intra-module Isolation	3750 VDC	
EMS Protection		
ESD (IEC 61000-4-2)	±4 kV Contact For Each Terminal ±8 kV Air For Random Terminal	
Relay Output		
Channels	9	
Type	Signal Relay	
Form A Relay	Contact Material	Silver Nickel, Gold-covered
	Contact Rating	2 A @ 30 VDC
		0.24 A @ 220 VDC
		0.25 A @ 250 VAC
	Operate Time	3 ms (typical)
	Release Time	4 ms (typical)
Electrical Endurance	2 x 10 <sup>5</sup> ops.	
Mechanical Endurance	10 <sup>8</sup> ops.	
Power on Value	Yes	
Safe Value	Yes	
COM Ports		
Baud Rate	115200 bps	
Data Format	N, 8, 1	
Protocol	Modbus/RTU	
Power		
Consumption	1.2 W Max.	
Powered from Terminal Block	5 VDC	
Mechanical		
Dimensions (mm)	59 mm x 82 mm x 13 mm (W x L x H)	
Environmental		
Operating Temperature	-25 ~ +75 °C	
Storage Temperature	-30 ~ +80 °C	
Humidity	10 ~ 90% RH, Non-condensing	

## Wire Connections

Signal Relay	Readback as 1	Readback as 0
Relay Output		

## Ordering Information

<b>XV119 CR</b>	9-channel Signal Relay Output Module (RoHS)
-----------------	---