



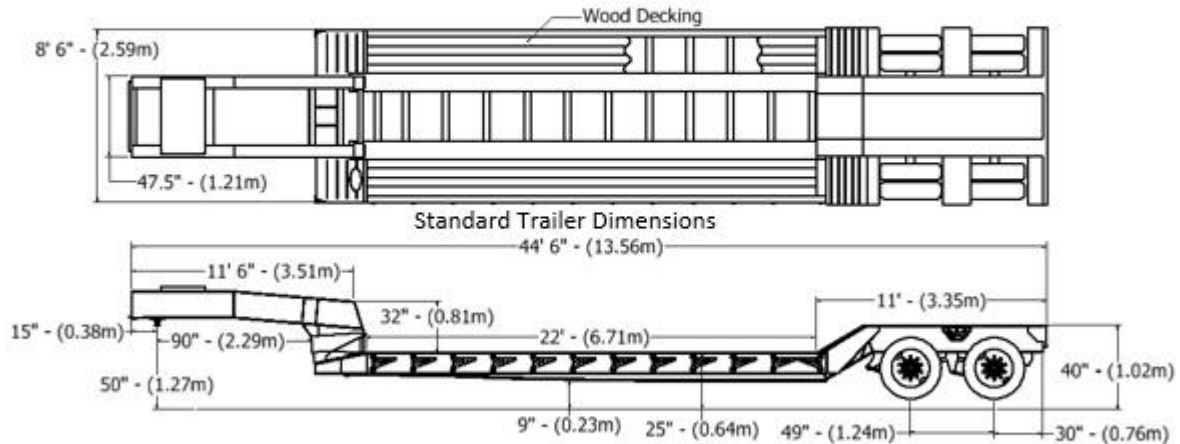




Model: RG - 35

Ground Bearing Removable Gooseneck

| Overall Length | Overall Width | Gooseneck Length | Deck Length | Deck Height | Tail Length | Tail Height | Ground Clearance |
|----------------|---------------|------------------|-------------|-------------|-------------|-------------|------------------|
| 44' 6" | 8' 6" | 11' 6" | 22' | 25" | 11' | 40" | 9" |



Weight 15,020 lbs. Capacity 70,000 lbs.

GVWR 85,020 lbs.

| Gooseneck | |
|--|---------------------------------|
| King Pin Style | Fixed |
| King Pin Setting | 15" |
| Swing Clearance | 90" |
| 5 th Wheel Height | 50" |
| King Pin | 2" |
| Ride Height Adj. | N/A |
| Main Deck | |
| Main Beam | W16x57 Beams A992 Grade 50 |
| Centers | 40" Standard |
| Side Beams | W12x22 A992 Grade 50 |
| Crossmembers | W8x10 A992 Grade 50 |
| Spacing | 24" Standard |
| Outriggers | 12" Cast Iron, 12 Each Side |
| # of D-Rings | 3 per Side |
| Front Ramps | Optional |
| Concentrated Load | 70,000 lbs. (Within a 16' Span) |
| Tail Section | |
| Riser | 30° |
| Electrical | |
| Lights | Sealed Modular Wire Harness |
| Connector | 7 Way Connector |
| Hydraulics | |
| Cylinder (1) 6" Bore w/ 22" Stroke | |
| Control Valve | 2,500 psi |
| Engine: 10 HP Electrical Start – Pump: 1 GPM | |

| Axle, Suspension, & Running Gear | |
|--|-----------------------------|
| # of Axles | 2 Spring Suspension Axles |
| Axle Spacing | 49" |
| Axle Capacity | 25,000 lbs. |
| Brakes | 16 1/2" x 7" – 25,000 lbs. |
| ABS | 2S / 1M |
| Decking / Flooring | |
| Main Decking | 2" Oak Lumber (Open Center) |
| Wheel Assembly | |
| Tires | 255 / 70R 22.5 |
| Rims | 8.25 x 22.5 Steel Wheels |
| Finish | |
| Anticorrosive Undercoat – 2 Coats Epoxy Primer | |
| 2 Coats Gloss Acrylic Enamel Top Coat | |
| Mud Flaps & Reflective Tape | |
| Popular Options | |
| 13 Horse Power Motor | |
| Air Ride Suspension w/ Lift Axle | |
| Aluminum Wheels | |
| Apitong Wood Decking | |
| Beavertail w/ Ramps | |
| Bucketwell | |
| Combo Wet Line & Power System | |
| Covered Wheels (Welded or Removable) | |
| Flush Bed Hooks | |
| T-1 100ksi (Main Frame) | |

For additional information on your Witzco Challenger Trailer contact the dealer nearest you.

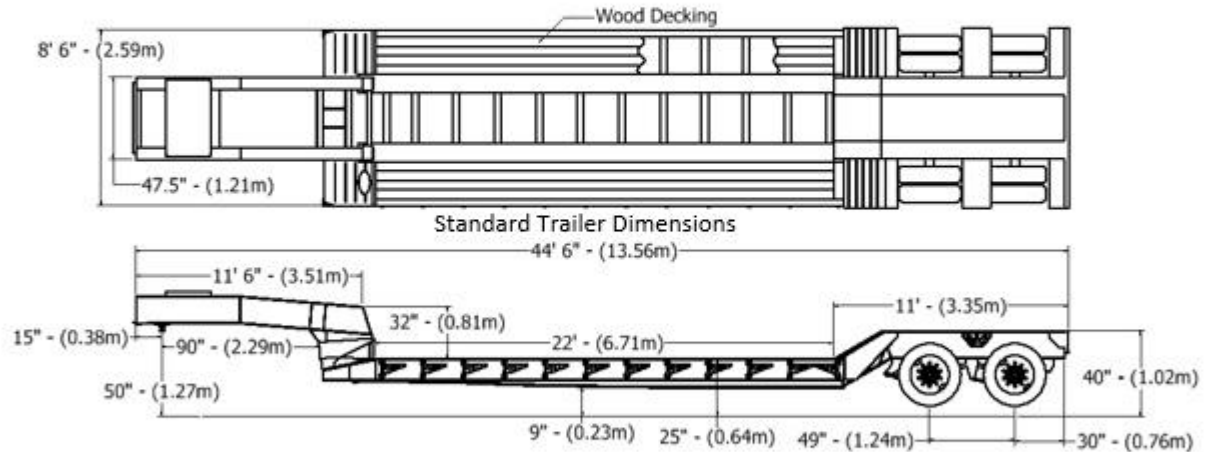
Call: (941) 922 – 5301 * Toll Free: 1-888-922-9900 * info@witzco.com



Model: RG - 40

Ground Bearing Removable Gooseneck

| Overall Length | Overall Width | Gooseneck Length | Deck Length | Deck Height | Tail Length | Tail Height | Ground Clearance |
|----------------|---------------|------------------|-------------|-------------|-------------|-------------|------------------|
| 44' 6" | 8' 6" | 11' 6" | 22' | 25" | 11' | 40" | 9" |



Weight 16,400 lbs. Capacity 80,000 lbs.

GVWR 96,400 lbs.

| Gooseneck | |
|------------------------------|--------------------------------------|
| King Pin Style | Fixed |
| King Pin Setting | 15" |
| Swing Clearance | 90" |
| 5 th Wheel Height | 50" |
| King Pin | 2" |
| Ride Height Adj. | N/A |
| Main Deck | |
| Main Beam | W16x77 Beams A992 Grade 50 |
| Centers | 40" Standard |
| Side Beams | W12x22 A992 Grade 50 |
| Crossmembers | W8x10 A992 Grade 50 |
| Spacing | 24" Standard |
| Outriggers | 12" Cast Iron, 12 Each Side |
| # of D-Rings | 3 per Side |
| Front Ramps | Optional |
| Concentrated Load | 80,000 lbs. (Within a 16' Span) |
| Tail Section | |
| Riser | 30° |
| Electrical | |
| Lights | Sealed Modular Wire Harness |
| Connector | 7 Way Connector |
| Hydraulics | |
| Cylinder (1) | 8" Bore w/ 22" Stroke |
| Control Valve | 2,500 psi |
| Engine | 10 HP Electrical Start – Pump: 1 GPM |

| Axle, Suspension, & Running Gear | |
|--|-----------------------------|
| # of Axles | 2 Spring Suspension Axles |
| Axle Spacing | 49" |
| Axle Capacity | 25,000 lbs. |
| Brakes | 16 ½" x 7" – 25,000 lbs. |
| ABS | 2S /1M |
| Decking / Flooring | |
| Main Decking | 2" Oak Lumber (Open Center) |
| Wheel Assembly | |
| Tires | 255 / 70R 22.5 |
| Rims | 8.25 x 22.5 Steel Wheels |
| Finish | |
| Anticorrosive Undercoat – 2 Coats Epoxy Primer | |
| 2 Coats Gloss Acrylic Enamel Top Coat | |
| Mud Flaps & Reflective Tape | |
| Popular Options | |
| 13 Horse Power Motor | |
| Air Ride Suspension w/ Lift Axle | |
| Aluminum Wheels | |
| Apitong Wood Decking | |
| Beavertail w/ Ramps | |
| Bucketwell | |
| Combo Wet Line & Power System | |
| Covered Wheels (Welded or Removable) | |
| Flush Bed Hooks | |
| T-1 100ksi (Main Frame) | |

For additional information on your Witzco Challenger Trailer contact the dealer nearest you.

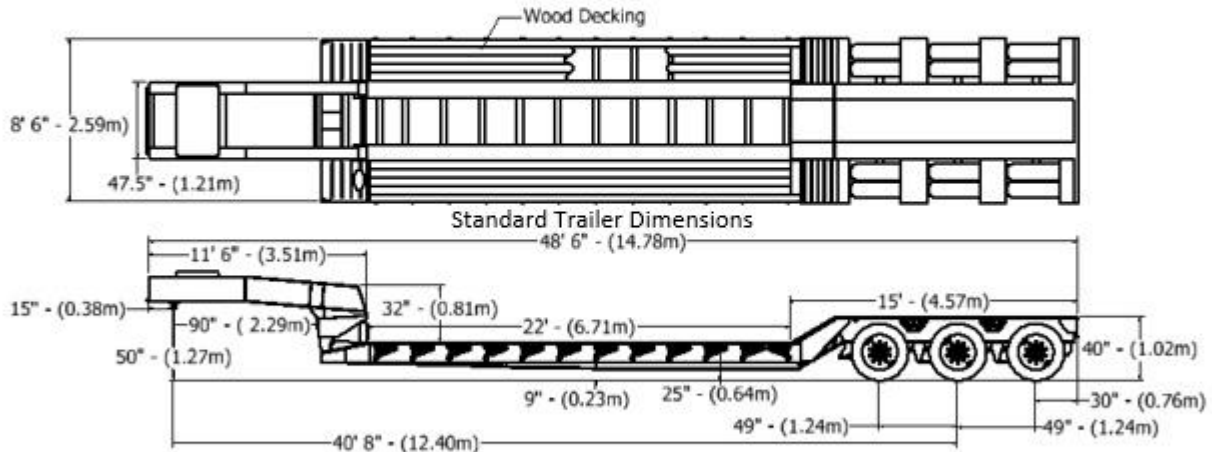
Call: (941) 922 – 5301 * Toll Free: 1-888-922-9900 * info@witzco.com



Model: RG - 52

Ground Bearing Removable Gooseneck

| Overall Length | Overall Width | Gooseneck Length | Deck Length | Deck Height | Tail Length | Tail Height | Ground Clearance |
|----------------|---------------|------------------|-------------|-------------|-------------|-------------|------------------|
| 48' 6" | 8' 6" | 11' 6" | 22' | 25" | 15' | 40" | 9" |



Weight 18,540 lbs. Capacity 104,000 lbs.

GVWR 122,540 lbs.

| Gooseneck | |
|------------------------------|--------------------------------------|
| King Pin Style | Fixed |
| King Pin Setting | 15" |
| Swing Clearance | 90" |
| 5 th Wheel Height | 50" |
| King Pin | 2" |
| Ride Height Adj. | N/A |
| Main Deck | |
| Main Beam | W16x77 Beams A992 Grade 50 |
| Centers | 40" Standard |
| Side Beams | W12x22 A992 Grade 50 |
| Crossmembers | W8x10 A992 Grade 50 |
| Spacing | 24" Standard |
| Outriggers | 12" Cast Iron, 12 Each Side |
| # of D-Rings | 3 per Side |
| Front Ramps | Optional |
| Concentrated Load | 104,000 lbs. (Within a 16' Span) |
| Tail Section | |
| Riser | 30° |
| Electrical | |
| Lights | Sealed Modular Wire Harness |
| Connector | 7 Way Connector |
| Hydraulics | |
| Cylinder (1) | 8" Bore w/ 22" Stroke |
| Control Valve | 2,500 psi |
| Engine | 10 HP Electrical Start – Pump: 1 GPM |

| Axle, Suspension, & Running Gear | |
|--|-----------------------------|
| # of Axles | 3 Spring Suspension Axles |
| Axle Spacing | 49" |
| Axle Capacity | 25,000 lbs. |
| Brakes | 16 1/2" x 7" – 25,000 lbs. |
| ABS | Optional |
| Decking / Flooring | |
| Main Decking | 2" Oak Lumber (Open Center) |
| Wheel Assembly | |
| Tires | 255/ 70R 22.5 |
| Rims | 8.25 x 22.5 Steel Wheels |
| Finish | |
| Anticorrosive Undercoat – 2 Coats Epoxy Primer | |
| 2 Coats Gloss Acrylic Enamel Top Coat | |
| Mud Flaps & Reflective Tape | |
| Popular Options | |
| 13 Horse Power Motor | |
| Air Ride Suspension w/ Lift Axle | |
| Aluminum Wheels | |
| Apitong Wood Decking | |
| Beavertail w/ Ramps | |
| Bucketwell | |
| Combo Wet Line & Power System | |
| Covered Wheels (Welded or Removable) | |
| Flush Bed Hooks | |
| T-1 100ksi (Main Frame) | |

For additional information on your Witzco Challenger Trailer contact the dealer nearest you.

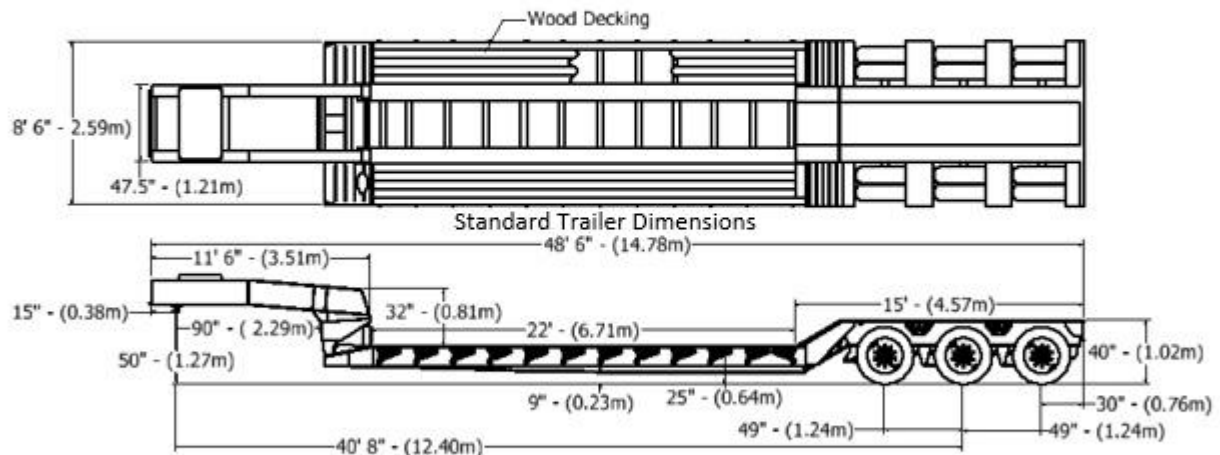
Call: (941) 922 – 5301 * Toll Free: 1-888-922-9900 * info@witzco.com



Model: RG - 60

Ground Bearing Removable Gooseneck

| Overall Length | Overall Width | Gooseneck Length | Deck Length | Deck Height | Tail Length | Tail Height | Ground Clearance |
|----------------|---------------|------------------|-------------|-------------|-------------|-------------|------------------|
| 48' 6" | 8' 6" | 11' 6" | 22' | 25" | 15' | 40" | 9" |



Weight 20,080 lbs. Capacity 120,000 lbs.

GVWR 140,080 lbs.

| Gooseneck | |
|------------------------------|--------------------------------------|
| King Pin Style | Fixed |
| King Pin Setting | 15" |
| Swing Clearance | 90" |
| 5 th Wheel Height | 50" |
| King Pin | 2" |
| Ride Height Adj. | N/A |
| Main Deck | |
| Main Beam | W16x100 Beams A992 Grade 50 |
| Centers | 40" Standard |
| Side Beams | W12x22 A992 Grade 50 |
| Crossmembers | W8x10 A992 Grade 50 |
| Spacing | 24" Standard |
| Outriggers | 12" Cast Iron, 12 Each Side |
| # of D-Rings | 3 per Side |
| Front Ramps | Optional |
| Concentrated Load | 120,000 lbs. (Within a 16' Span) |
| Tail Section | |
| Riser | 30° |
| Electrical | |
| Lights | Sealed Modular Wire Harness |
| Connector | 7 Way Connector |
| Hydraulics | |
| Cylinder (2) | 6" Bore w/ 22" Stroke |
| Control Valve | 2,500 psi |
| Engine | 13 HP Electrical Start – Pump: 1 GPM |

| Axle, Suspension, & Running Gear | |
|--|-----------------------------|
| # of Axles | 3 Spring Suspension Axles |
| Axle Spacing | 49" |
| Axle Capacity | 25,000 lbs. |
| Brakes | 16 ½" x 7" – 25,000 lbs. |
| ABS | Optional |
| Decking / Flooring | |
| Main Decking | 2" Oak Lumber (Open Center) |
| Wheel Assembly | |
| Tires | 255 / 70R 22.5 |
| Rims | 8.25 x 22.5 Steel Wheels |
| Finish | |
| Anticorrosive Undercoat – 2 Coats Epoxy Primer | |
| 2 Coats Gloss Acrylic Enamel Top Coat | |
| Mud Flaps & Reflective Tape | |
| Popular Options | |
| Additional Deck Length up to 28' | |
| Air Ride Suspension w/ Lift Axle | |
| Aluminum Wheels | |
| Apitong Wood Decking | |
| Beavertail w/ Ramps | |
| Bucketwell | |
| Combo Wet Line & Power System | |
| Covered Wheels (Welded or Removable) | |
| Flush Bed Hooks | |
| T-1 100ksi (Main Frame) | |

For additional information on your Witzco Challenger Trailer contact the dealer nearest you.

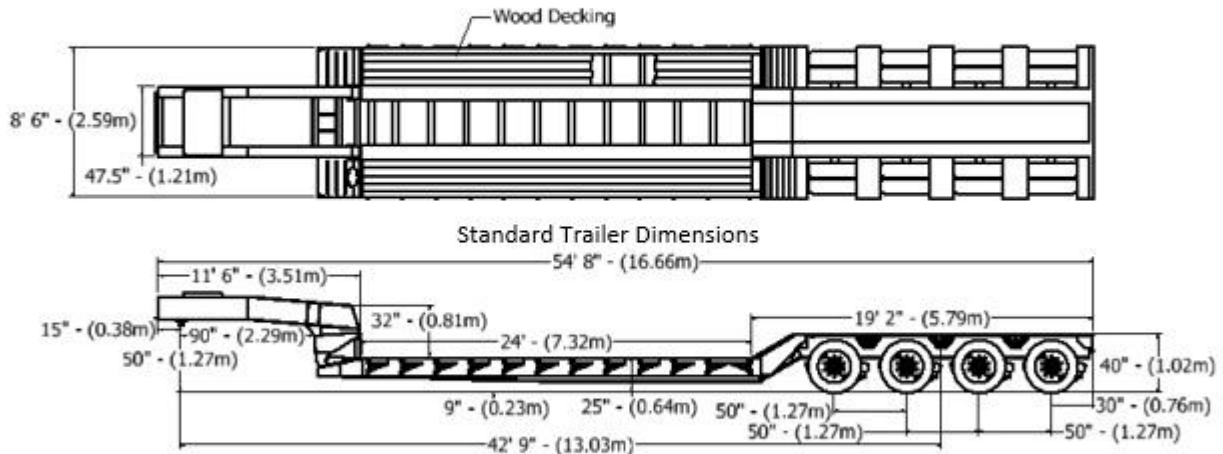
Call: (941) 922 – 5301 * Toll Free: 1-888-922-9900 * info@witzco.com



Model: RG - 70

Ground Bearing Removable Gooseneck

| Overall Length | Overall Width | Gooseneck Length | Deck Length | Deck Height | Tail Length | Tail Height | Ground Clearance |
|----------------|---------------|------------------|-------------|-------------|-------------|-------------|------------------|
| 54' 8" | 8' 6" | 11' 6" | 24' | 25" | 19' 2" | 40" | 9" |



| | | |
|------------------------------|--------------------------------------|--------------|
| Weight | Capacity | 140,000 lbs. |
| Gooseneck | | |
| King Pin Style | Fixed | |
| King Pin Setting | 15" | |
| Swing Clearance | 90" | |
| 5 th Wheel Height | 50" | |
| King Pin | 2" | |
| Ride Height Adj. | N/A | |
| Main Deck | | |
| Main Beam | W16x100 Beams A992 Grade 50 | |
| Centers | 40" Standard | |
| Side Beams | W16x26 A992 Grade 50 | |
| Crossmembers | W8x10 A992 Grade 50 | |
| Spacing | 24" Standard | |
| Outriggers | 12" Cast Iron, 12 Each Side | |
| # of D-Rings | 3 per Side | |
| Front Ramps | Optional | |
| Concentrated Load | 140,000 lbs. (Within a 16' Span) | |
| Tail Section | | |
| Riser | 30° | |
| Electrical | | |
| Lights | Sealed Modular Wire Harness | |
| Connector | 7 Way Connector | |
| Hydraulics | | |
| Cylinder (2) | 8" Bore w/ 22" Stroke | |
| Control Valve | 2,500 psi | |
| Engine | 13 HP Electrical Start – Pump: 1 GPM | |

| | |
|--|-----------------------------|
| GVWR | |
| Axle, Suspension, & Running Gear | |
| # of Axles | 4 Air Suspension Axles |
| Axle Spacing | 50" |
| Axle Capacity | 22,500 lbs. |
| Brakes | 16 ½" x 7" – 22,500 lbs. |
| ABS | Optional |
| Decking / Flooring | |
| Main Decking | 2" Oak Lumber (Open Center) |
| Wheel Assembly | |
| Tires | 11 R 22.5 |
| Rims | 8.25 x 22.5 Steel Wheels |
| Finish | |
| Anticorrosive Undercoat – 2 Coats Epoxy Primer | |
| 2 Coats Gloss Acrylic Enamel Top Coat | |
| Mud Flaps & Reflective Tape | |
| Popular Options | |
| 1 ½" Mill Cambered | |
| Additional Deck Length up to 28' | |
| Aluminum Wheels | |
| Apitong Wood Decking | |
| Beavertail w/ Ramps | |
| Bucketwell | |
| Combo Wet Line & Power System | |
| Covered Wheels (Welded or Removable) | |
| Flush Bed Hooks | |
| T-1 100ksi (Main Frame) | |

For additional information on your Witzco Challenger Trailer contact the dealer nearest you.

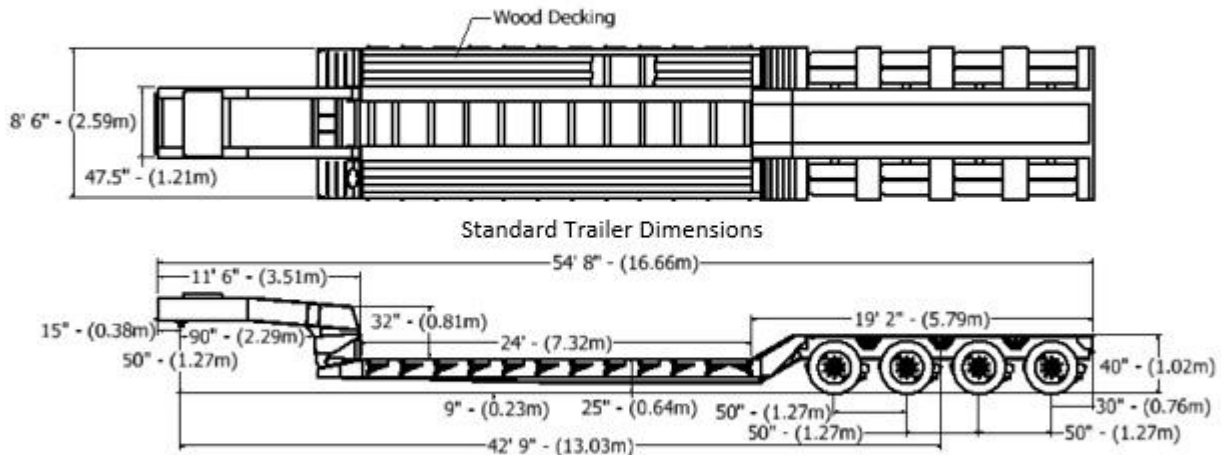
Call: (941) 922 – 5301 * Toll Free: 1-888-922-9900 * info@witzco.com



Model: RG - 80

Ground Bearing Removable Gooseneck

| Overall Length | Overall Width | Gooseneck Length | Deck Length | Deck Height | Tail Length | Tail Height | Ground Clearance |
|----------------|---------------|------------------|-------------|-------------|-------------|-------------|------------------|
| 54' 6" | 8' 6" | 11' 6" | 24' | 25" | 19' 2" | 40" | 9" |



Weight 27,900 lbs. Capacity 160,000 lbs.

GVWR 187,900 lbs.

| Gooseneck | |
|------------------------------|--------------------------------------|
| King Pin Style | Fixed |
| King Pin Setting | 15" |
| Swing Clearance | 90" |
| 5 th Wheel Height | 50" |
| King Pin | 2" |
| Ride Height Adj. | N/A |
| Main Deck | |
| Main Beam | W18x119 Beams A992 Grade 50 |
| Centers | 40" Standard |
| Side Beams | W16x26 A992 Grade 50 |
| Crossmembers | W8x10 A992 Grade 50 |
| Spacing | 24" Standard |
| Outriggers | 12" Cast Iron, 12 Each Side |
| # of D-Rings | 3 per Side |
| Front Ramps | Optional |
| Concentrated Load | 160,000 lbs. (Within a 16' Span) |
| Tail Section | |
| Riser | 30° |
| Electrical | |
| Lights | Sealed Modular Wire Harness |
| Connector | 7 Way Connector |
| Hydraulics | |
| Cylinder (2) | 8" Bore w/ 22" Stroke |
| Control Valve | 2,500 psi |
| Engine: | 13 HP Electrical Start – Pump: 1 GPM |

| Axle, Suspension, & Running Gear | |
|--|-----------------------------|
| # of Axles | 4 Air Suspension Axles |
| Axle Spacing | 50" |
| Axle Capacity | 22,500 lbs. |
| Brakes | 16 ½" x 7" – 22,500 lbs. |
| ABS | Optional |
| Decking / Flooring | |
| Main Decking | 2" Oak Lumber (Open Center) |
| Wheel Assembly | |
| Tires | 11 R 22.5 |
| Rims | 8.25 x 22.5 Steel Wheels |
| Finish | |
| Anticorrosive Undercoat – 2 Coats Epoxy Primer | |
| 2 Coats Gloss Acrylic Enamel Top Coat | |
| Mud Flaps & Reflective Tape | |
| Popular Options | |
| 1 ½" Mill Cambered | |
| Additional Deck Length up to 28' | |
| Aluminum Wheels | |
| Apatong Wood Decking | |
| Beavertail w/ Ramps | |
| Bucketwell | |
| Combo Wet Line & Power System | |
| Covered Wheels (Welded or Removable) | |
| Flush Bed Hooks | |
| T-1 100ksi (Main Frame) | |

For additional information on your Witzco Challenger Trailer contact the dealer nearest you.

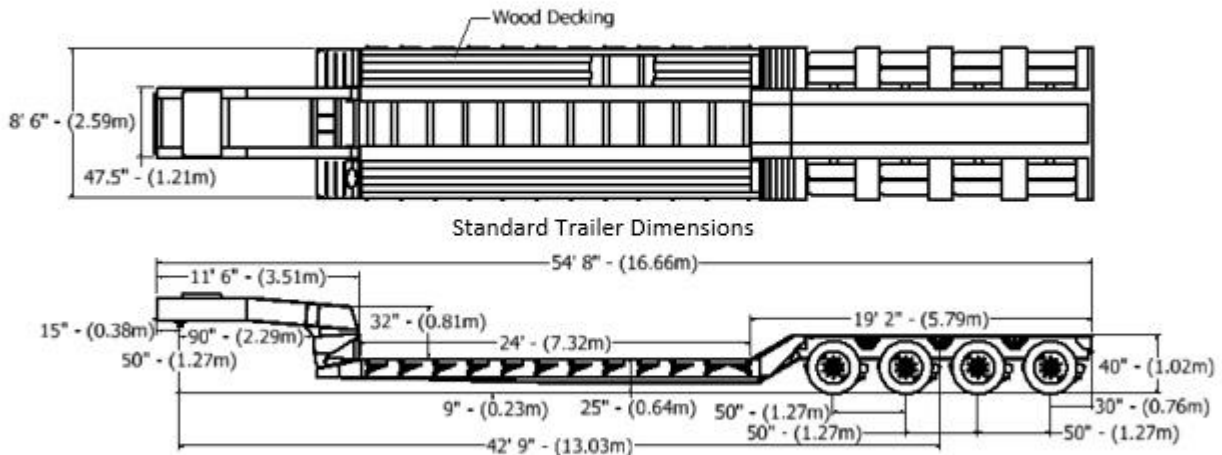
Call: (941) 922 – 5301 * Toll Free: 1-888-922-9900 * info@witzco.com



Model: RG - 100

Ground Bearing Removable Gooseneck

| Overall Length | Overall Width | Gooseneck Length | Deck Length | Deck Height | Tail Length | Tail Height | Ground Clearance |
|----------------|---------------|------------------|-------------|-------------|-------------|-------------|------------------|
| 54' 8" | 8' 6" | 11' 6" | 24' | 25" | 19' 2" | 40" | 9" |



| | | |
|------------------------------|--------------------------------------|--------------|
| Weight | Capacity | 200,000 lbs. |
| Gooseneck | | |
| King Pin Style | Fixed | |
| King Pin Setting | 15" | |
| Swing Clearance | 90" | |
| 5 th Wheel Height | 50" | |
| King Pin | 2" | |
| Ride Height Adj. | N/A | |
| Main Deck | | |
| Main Beam | W18x119 Beams A992 Grade 50 | |
| Centers | 40" Standard | |
| Side Beams | W16x26 A992 Grade 50 | |
| Crossmembers | W8x10 A992 Grade 50 | |
| Spacing | 14" Standard | |
| Outriggers | 12" Cast Iron, 12 Each Side | |
| # of D-Rings | 3 per Side | |
| Front Ramps | Optional | |
| Concentrated Load | 200,000 lbs. (Within a 16' Span) | |
| Tail Section | | |
| Riser | 30° | |
| Electrical | | |
| Lights | Sealed Modular Wire Harness | |
| Connector | 7 Way Connector | |
| Hydraulics | | |
| Cylinder (2) | 8" Bore w/ 22" Stroke | |
| Control Valve | 2,500 psi | |
| Engine: | 13 HP Electrical Start – Pump: 1 GPM | |

| | |
|--|-----------------------------|
| GVWR | |
| Axle, Suspension, & Running Gear | |
| # of Axles | 4 Air Suspension Axles |
| Axle Spacing | 50" |
| Axle Capacity | 30,000 lbs. |
| Brakes | 16 ½" x 7" – 30,000 lbs. |
| ABS | Optional |
| Decking / Flooring | |
| Main Decking | 2" Oak Lumber (Open Center) |
| Wheel Assembly | |
| Tires | 12 R 22.5 |
| Rims | 8.25 x 22.5 Steel Wheels |
| Finish | |
| Anticorrosive Undercoat – 2 Coats Epoxy Primer | |
| 2 Coats Gloss Acrylic Enamel Top Coat | |
| Mud Flaps & Reflective Tape | |
| Popular Options | |
| Additional Deck Length up to 28' | |
| Aluminum Wheels | |
| Apitong Wood Decking | |
| Beavertail w/ Ramps | |
| Bucketwell | |
| Combo Wet Line & Power System | |
| Covered Wheels (Welded or Removable) | |
| Flush Bed Hooks | |
| Lockable Storage | |
| T-1 100ksi (Main Frame) | |

For additional information on your Witzco Challenger Trailer contact the dealer nearest you.
 Call: (941) 922 – 5301 * Toll Free: 1-888-922-9900 * info@witzco.com

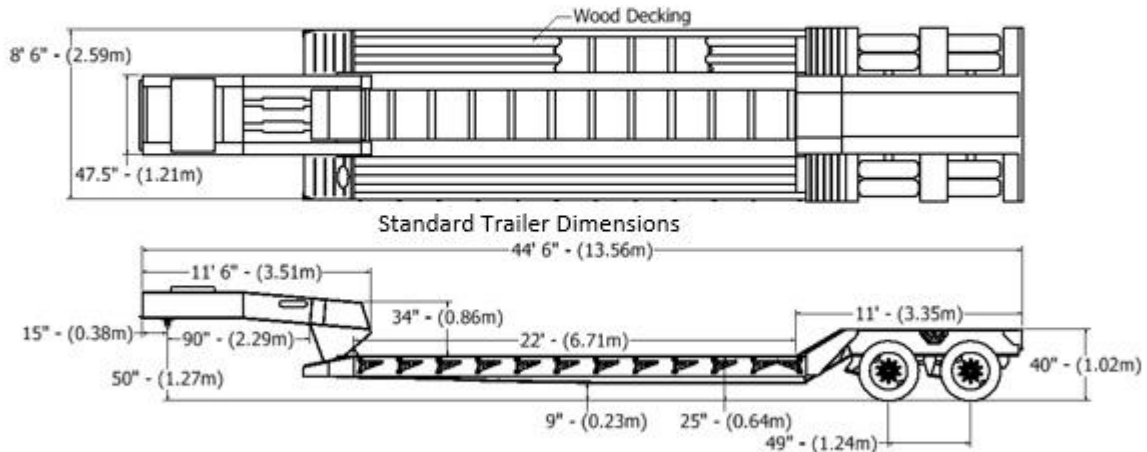




Model: NGB - 35

Non-Ground Bearing Removable Gooseneck Trailer

| Overall Length | Overall Width | Gooseneck Length | Deck Length | Deck Height | Tail Length | Tail Height | Ground Clearance |
|----------------|---------------|------------------|-------------|-------------|-------------|-------------|------------------|
| 44' 6" | 8' 6" | 11' 6" | 22' | 25" | 11' | 40" | 9" |



Weight 16,540 lbs. Capacity 70,000 lbs.

GVWR 86,540 lbs.

| Gooseneck | |
|------------------------------|------------|
| King Pin Style | Fixed |
| King Pin Setting | 15" |
| Swing Clearance | 90" |
| 5 th Wheel Height | 50" |
| King Pin | 2" |
| Ride Height Adj. | 4 Position |

| Axle, Suspension, & Running Gear | |
|----------------------------------|----------------------------|
| # of Axles | 2 Spring Suspension Axles |
| Axle Spacing | 49" |
| Axle Capacity | 25,000 lbs. |
| Brakes | 16 1/2" x 7" – 25,000 lbs. |
| ABS | 2S / 1M |

| Main Deck | |
|-------------------|---------------------------------|
| Main Beam | W16x57 Beams A992 Grade 50 |
| Centers | 40" Standard |
| Side Beams | W12x22 A992 Grade 50 |
| Crossmembers | W8x10 A992 Grade 50 |
| Spacing | 24" Standard |
| Outriggers | 12" Cast Iron, 12 on Each Side |
| # of D-Rings | 3 per Side |
| Front Ramps | Optional |
| Concentrated Load | 70,000 lbs. (Within a 16' Span) |

| Decking / Flooring | |
|--------------------|-----------------------------|
| Main Decking | 2" Oak Lumber (Center Open) |

| Tail Section | |
|--------------|-----|
| Riser | 30° |

| Wheel Assembly | |
|----------------|--------------------------|
| Tires | 255 / 70R 22.5 |
| Rims | 8.25 x 22.5 Steel Wheels |

| Electrical | |
|------------|-----------------------------|
| Lights | Sealed Modular Wire Harness |
| Connector | 7 Way Connector |

| Finish | |
|--|--|
| Anticorrosive Undercoat – 2 Coats Epoxy Primer | |
| 2 Coats Gloss Acrylic Enamel Top Coat | |
| Mud Flaps & Reflective Tape | |

| Hydraulics | |
|---|--|
| Cylinder (2) 6" Bore w/ 22" Stroke | |
| Control Valve: 2,500 psi | |
| Engine 10 HP Electric Start – Pump: 1 GPM | |

| Popular Options | |
|--------------------------------------|--|
| 13 Horse Power Motor | |
| Air Ride Suspension w/ Lift Axle | |
| Aluminum Wheels | |
| Aptitong Wood Decking | |
| Beavertail w/ Ramps | |
| Bucketwell | |
| Combo Wet Line Power System | |
| Covered Wheels (Welded or Removable) | |
| Flush Bed Hooks | |
| T-1 100ksi (Main Frame) | |

For additional information on your Witzco Challenger Trailer contact the dealer nearest you.

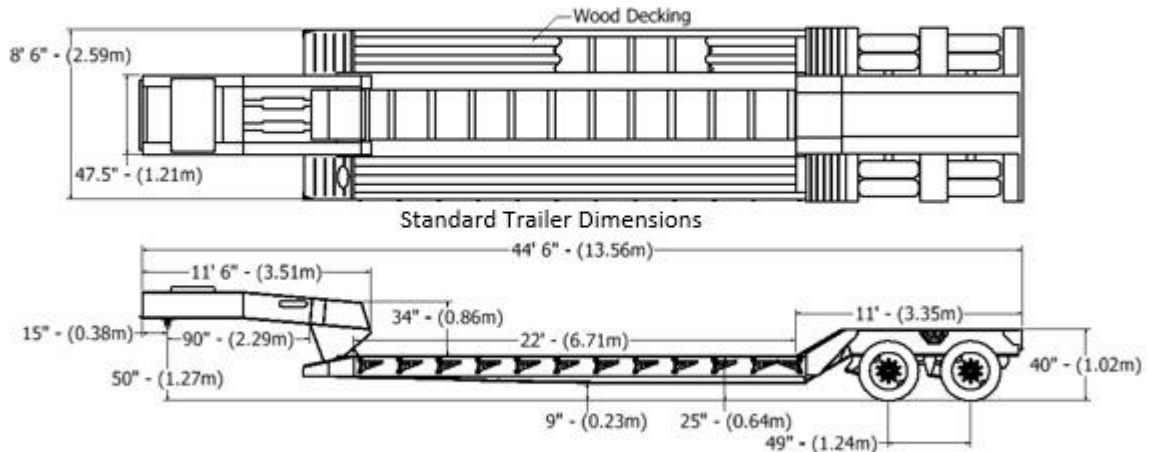
Call: (941) 922 – 5301 * Toll Free: 1-888-922-9900 * info@witzco.com



Model: NGB - 40

Non-Ground Bearing Removable Gooseneck Trailer

| Overall Length | Overall Width | Gooseneck Length | Deck Length | Deck Height | Tail Length | Tail Height | Ground Clearance |
|----------------|---------------|------------------|-------------|-------------|-------------|-------------|------------------|
| 44' 6" | 8' 6" | 11' 6" | 22' | 25" | 11' | 40" | 9" |



Weight 18,500 lbs. Capacity 80,000 lbs.

GVWR 98,500 lbs.

| Gooseneck | |
|------------------------------|------------------------------------|
| King Pin Style | Fixed |
| King Pin Setting | 15" |
| Swing Clearance | 90" |
| 5 th Wheel Height | 50" |
| King Pin | 2" |
| Ride Height Adj. | 4 Position |
| Main Deck | |
| Main Beam | W16x77 Beams A992 Grade 50 |
| Centers | 40" Standard |
| Side Beams | W12x22 A992 Grade 50 |
| Crossmembers | W8x10 A992 Grade 50 |
| Spacing | 24" Standard |
| Outriggers | 12" Cast Iron, 12 on Each Side |
| # of D-Rings | 3 per Side |
| Front Ramps | Optional |
| Concentrated Load | 80,000 lbs. (Within a 16' Span) |
| Tail Section | |
| Riser | 30° |
| Electrical | |
| Lights | Sealed Modular Wire Harness |
| Connector | 7 Way Connector |
| Hydraulics | |
| Cylinder (2) | 6" Bore w/ 22" Stroke |
| Control Valve | 2,500 psi |
| Engine | 10 HP Electric Start – Pump: 1 GPM |

| Axle, Suspension, & Running Gear | |
|--|-----------------------------|
| # of Axles | 2 Spring Suspension Axle |
| Axle Spacing | 49" |
| Axle Capacity | 25,000 lbs. |
| Brakes | 16 ½" x 7" – 25,000 lbs. |
| ABS | 2S / 1M |
| Decking / Flooring | |
| Main Decking | 2" Oak Lumber (Center Open) |
| Wheel Assembly | |
| Tires | 255 / 70R 22.5 |
| Rims | 8.25 x 22.5 Steel Wheels |
| Finish | |
| Anticorrosive Undercoat – 2 Coats Epoxy Primer | |
| 2 Coats Gloss Acrylic Enamel Top Coat | |
| Mud Flaps & Reflective Tape | |
| Popular Options | |
| 13 Horse Power Motor | |
| Air Ride Suspension | |
| Aluminum Wheels | |
| Apitong Wood Decking | |
| Beavertail w/ Ramps | |
| Bucketwell | |
| Combo Wet Line Power System | |
| Covered Wheels (Welded or Removable) | |
| Flush Bed Hooks | |
| T-1 100ksi (Main Frame) | |

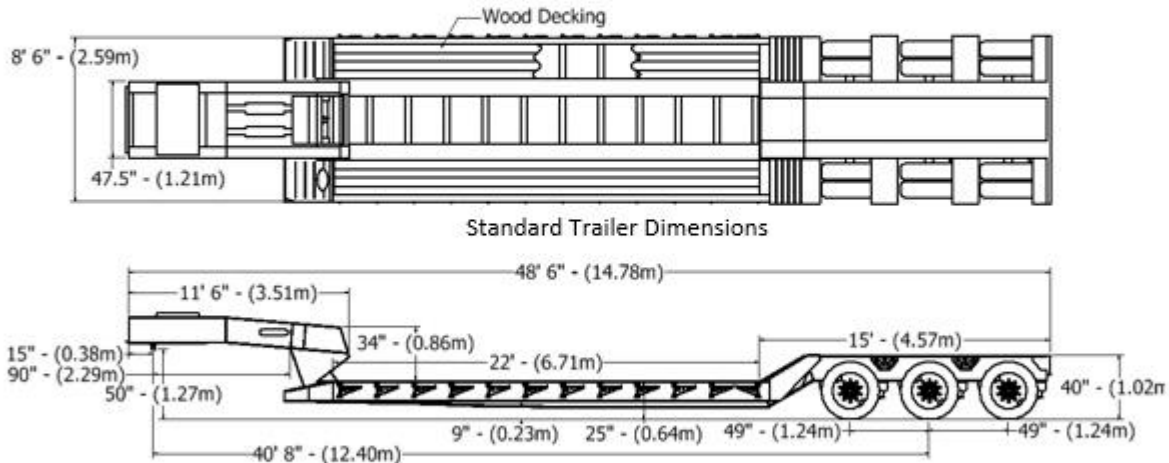
For additional information on your Witzco Challenger Trailer contact the dealer nearest you.
Call: (941) 922 – 5301 * Toll Free: 1-888-922-9900 * info@witzco.com



Model: NGB - 52

Non-Ground Bearing Removable Gooseneck

| Overall Length | Overall Width | Gooseneck Length | Deck Length | Deck Height | Tail Length | Tail Height | Ground Clearance |
|----------------|---------------|------------------|-------------|-------------|-------------|-------------|------------------|
| 48' 6" | 8' 6" | 11' 6" | 22' | 25" | 15' | 40" | 9" |



Weight 20,060 lbs. Capacity 104,000 lbs.

GVWR 124,060 lbs.

| Gooseneck | |
|------------------------------|------------------------------------|
| King Pin Style | Fixed |
| King Pin Setting | 15" |
| Swing Clearance | 90" |
| 5 th Wheel Height | 50" |
| King Pin | 2" |
| Ride Height Adj. | 4 Position |
| Main Deck | |
| Main Beam | W16x77 Beams A992 Grade 50 |
| Centers | 40" Standard |
| Side Beams | W12x22 A992 Grade 50 |
| Crossmembers | W8x10 A992 Grade 50 |
| Spacing | 24" Standard |
| Outriggers | 12" Cast Iron, 12 Each Side |
| # of D-Rings | 3 per Side |
| Front Ramps | Optional |
| Concentrated Load | 104,000 lbs. (Within a 16' Span) |
| Tail Section | |
| Riser | 30° |
| Electrical | |
| Lights | Sealed Modular Wire Harness |
| Connector | 7 Way Connector |
| Hydraulics | |
| Cylinder (2) | 6" Bore w/ 22" Stroke |
| Control Value: | 2,500 psi |
| Engine | 10 HP Electric Start - Pump: 1 GPM |

| Axle, Suspension, & Running Gear | |
|--|-----------------------------|
| # of Axles | 3 Spring Suspension Axles |
| Axle Spacing | 49" |
| Axle Capacity | 25,000 lbs. |
| Brakes | 16 1/2" x 7" - 25,000 lbs. |
| ABS | Optional |
| Decking / Flooring | |
| Main Decking | 2" Oak Lumber (Open Center) |
| Wheel Assembly | |
| Tires | 255 / 70R x 22.5 |
| Rims | 8.25 x 22.5 Steel Wheels |
| Finish | |
| Anticorrosive Undercoat - 2 Coats Epoxy Primer | |
| 2 Coats Gloss Acrylic Enamel Top Coat | |
| Mud Flaps & Reflective Tape | |
| Popular Options | |
| 13 Horse Power Motor | |
| Air Ride Suspension w/ Lift Axle | |
| Aluminum Wheels | |
| Apitong Wood Decking | |
| Beavertail w/ Ramps | |
| Bucketwell | |
| Combo Wet Line Power System | |
| Covered Wheels (Welded or Removable) | |
| Flush Bed Hooks | |
| T-1 100ksi (Main Frame) | |

For additional information on your Witzco Challenger Trailer contact the dealer nearest you.

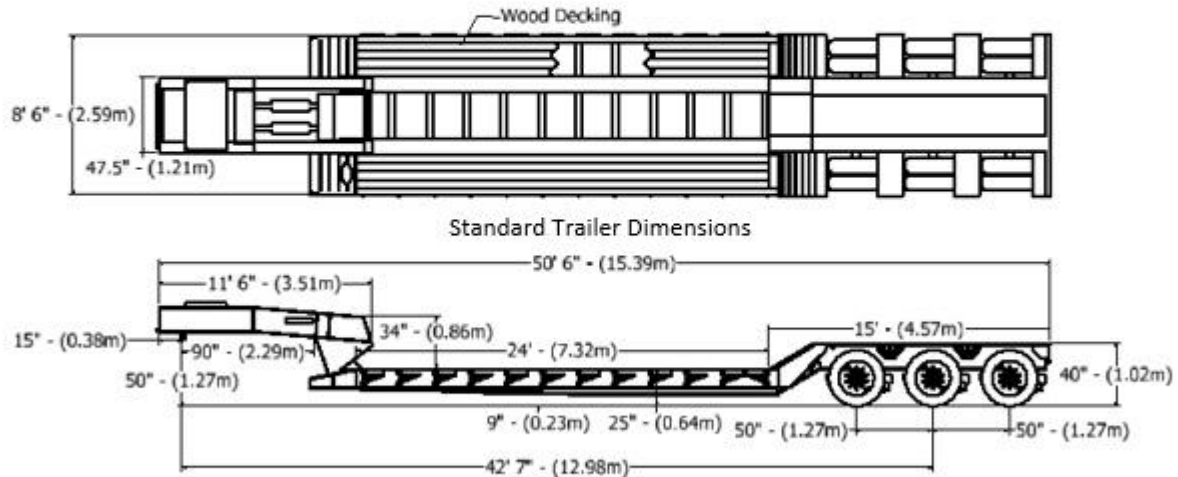
Call: (941) 922 - 5301 * Toll Free: 1-888-922-9900 * info@witzco.com



Model: NGB - 55

Non-Ground Bearing Removable Gooseneck

| Overall Length | Overall Width | Gooseneck Length | Deck Length | Deck Height | Tail Length | Tail Height | Ground Clearance |
|----------------|---------------|------------------|-------------|-------------|-------------|-------------|------------------|
| 50' 6" | 8' 6" | 11' 6" | 24' | 25" | 15' | 40" | 9" |



| | | | |
|---|----------------------------------|--------------|--|
| Weight | Capacity | 110,000 lbs. | GVWR |
| Gooseneck | | | Axle, Suspension, & Running Gear |
| King Pin Style | Fixed | | # of Axles 3 Air Suspension Axles |
| King Pin Setting | 15" | | Axle Spacing 50" |
| Swing Clearance | 90" | | Axle Capacity 22,500 lbs. |
| 5 th Wheel Height | 50" | | Brakes 16 ½" x 7" – 22,500 lbs. |
| King Pin | 2" | | ABS Optional |
| Ride Height Adj. | 4 Position | | Decking / Flooring |
| Main Deck | | | Main Decking 2" Oak Lumber (Open Center) |
| Main Beam | W16x100 Beams A992 Grade 50 | | Wheel Assembly |
| Centers | 40" Standard | | Tires 255 / 70R x 22.5 |
| Side Beams | W12x22 A992 Grade 50 | | Rims 8.25 x 22.5 Steel Wheels |
| Crossmembers | W8x10 A992 Grade 50 | | Finish |
| Spacing | 24" Standard | | Anticorrosive Undercoat – 2 Coats Epoxy Primer |
| Outriggers | 12" Cast Iron, 12 Each Side | | 2 Coats Gloss Acrylic Enamel Top Coat |
| # of D-Rings | 3 per Side | | Mud Flaps & Reflective Tape |
| Front Ramps | Optional | | Popular Options |
| Concentrated Load | 110,000 lbs. (Within a 16' Span) | | Additional Deck Length up to 28' |
| Tail Section | | | Additional Axles |
| Riser | 30° | | Aluminum Wheels |
| Electrical | | | Apitong Wood Decking |
| Lights | Sealed Modular Wire Harness | | Beavertail w/ Ramps |
| Connector | 7 Way Connector | | Bucketwell |
| Hydraulics | | | Combo Wet Line Power System |
| Cylinder (2) 8" Bore w/ 22" Stroke | | | Covered Wheels (Welded or Removable) |
| Control Value: 2,500 psi | | | Flush Bed Hooks |
| Engine 13 HP Electric Start - Pump: 1 GPM | | | T-1 100ksi (Main Frame) |

For additional information on your Witzco Challenger Trailer contact the dealer nearest you.

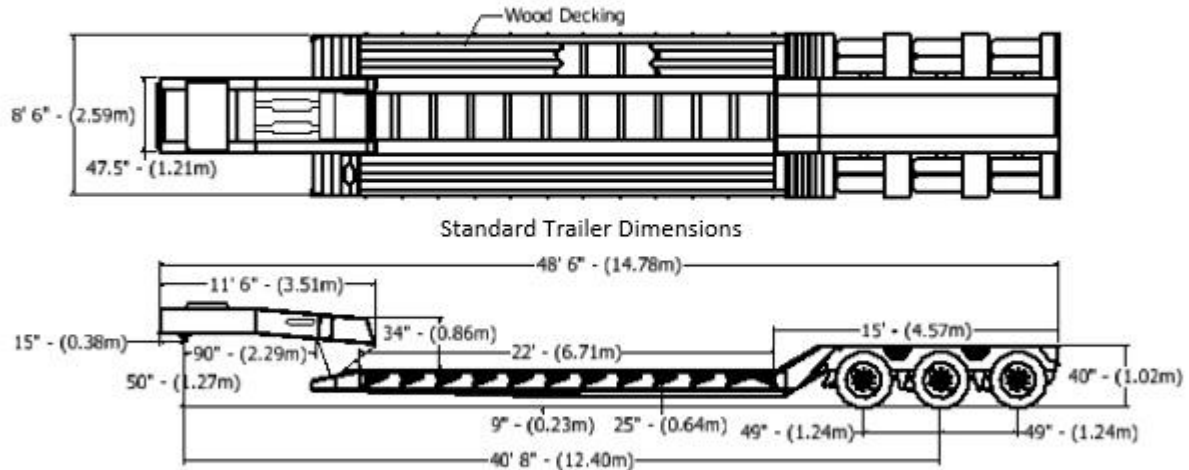
Call: (941) 922 – 5301 * Toll Free: 1-888-922-9900 * info@witzco.com



Model: NGB - 60

Non-Ground Bearing Removable Gooseneck

| Overall Length | Overall Width | Gooseneck Length | Deck Length | Deck Height | Tail Length | Tail Height | Ground Clearance |
|----------------|---------------|------------------|-------------|-------------|-------------|-------------|------------------|
| 48' 6" | 8' 6" | 11' 6" | 22' | 25" | 15' | 40" | 9" |



Weight 23,340 lbs. Capacity 120,000 lbs.

GVWR 143,340 lbs.

| Gooseneck | |
|------------------------------|------------------------------------|
| King Pin Style | Fixed |
| King Pin Setting | 15" |
| Swing Clearance | 90" |
| 5 th Wheel Height | 50" |
| King Pin | 2" |
| Ride Height Adj. | 4 Position |
| Main Deck | |
| Main Beam | W16x100 Beams A992 Grade 50 |
| Centers | 40" Standard |
| Side Beams | W16x26 A992 Grade 50 |
| Crossmembers | W8x10 A992 Grade 50 |
| Spacing | 24" Standard |
| Outriggers | 12" Cast Iron, 12 Each Side |
| # of D-Rings | 3 per Side |
| Front Ramps | Optional |
| Concentrated Load | 120,000 lbs. (Within a 16' Span) |
| Tail Section | |
| Riser | 30° |
| Electrical | |
| Lights | Sealed Modular Wire Harness |
| Connector | 7 Way Connector |
| Hydraulics | |
| Cylinder (2) | 8" Bore w/ 22" Stroke |
| Control Value: | 2,500 psi |
| Engine | 13 HP Electric Start - Pump: 1 GPM |

| Axle, Suspension, & Running Gear | |
|--|-----------------------------|
| # of Axles | 3 Spring Suspension Axles |
| Axle Spacing | 49" |
| Axle Capacity | 25,000 lbs. |
| Brakes | 16 1/2" x 7" - 25,000 lbs. |
| ABS | Optional |
| Decking / Flooring | |
| Main Decking | 2" Oak Lumber (Open Center) |
| Wheel Assembly | |
| Tires | 255 / 70R x 22.5 |
| Rims | 8.25 x 22.5 Steel Wheels |
| Finish | |
| Anticorrosive Undercoat - 2 Coats Epoxy Primer | |
| 2 Coats Gloss Acrylic Enamel Top Coat | |
| Mud Flaps & Reflective Tape | |
| Popular Options | |
| Additional Deck Length up to 28' | |
| Air Ride Suspension w/ Lift Axle | |
| Aluminum Wheels | |
| Apitong Wood Decking | |
| Beavertail w/ Ramps | |
| Bucketwell | |
| Combo Wet Line Power System | |
| Covered Wheels (Welded or Removable) | |
| Flush Bed Hooks | |
| T-1 100ksi (Main Frame) | |

For additional information on your Witzco Challenger Trailer contact the dealer nearest you.

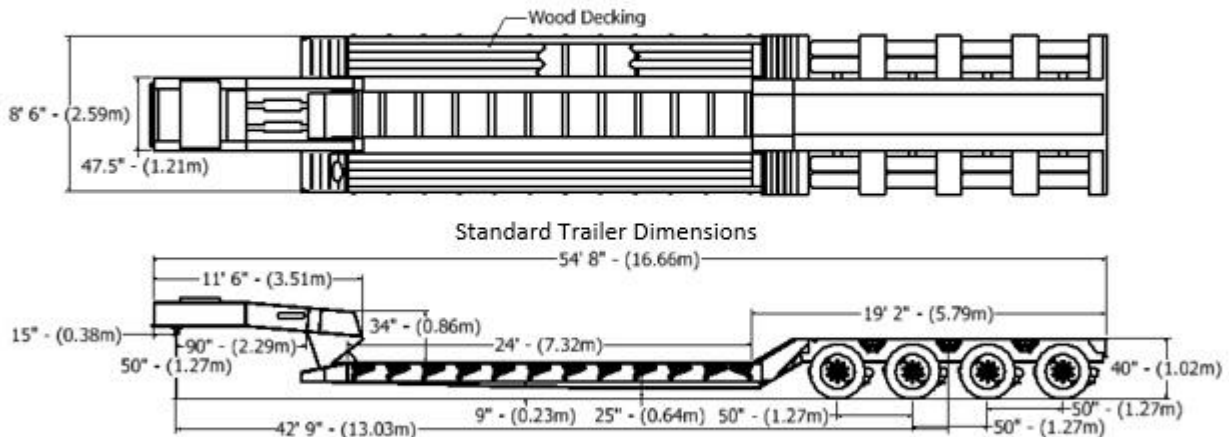
Call: (941) 922 - 5301 * Toll Free: 1-888-922-9900 * info@witzco.com



Model: NGB - 70

Non-Ground Bearing Removable Gooseneck

| Overall Length | Overall Width | Gooseneck Length | Deck Length | Deck Height | Tail Length | Tail Height | Ground Clearance |
|----------------|---------------|------------------|-------------|-------------|-------------|-------------|------------------|
| 54' 8" | 8' 6" | 11' 6" | 24' | 25" | 15' | 40" | 9" |



| | | |
|------------------------------|------------------------------------|--------------|
| Weight | Capacity | 140,000 lbs. |
| Gooseneck | | |
| King Pin Style | Fixed | |
| King Pin Setting | 15" | |
| Swing Clearance | 90" | |
| 5 th Wheel Height | 50" | |
| King Pin | 2" | |
| Ride Height Adj. | 4 Position | |
| Main Deck | | |
| Main Beam | W16x100 Beams A992 Grade 50 | |
| Centers | 40" Standards | |
| Side Beams | W16x26 A992 Grade 50 | |
| Crossmembers | W8x10 A992 Grade 50 | |
| Spacing | 24" Standard | |
| Outriggers | 12" Cast Iron, 12 Each Side | |
| # of D-Rings | 3 per Side | |
| Front Ramps | Optional | |
| Concentrated Load | 140,000 lbs. (Within a 16' Span) | |
| Tail Section | | |
| Riser | 30° | |
| Electrical | | |
| Lights | Sealed Modular Wire Harness | |
| Connector | 7 Way Connector | |
| Hydraulics | | |
| Cylinder (2) | 8" Bore w/ 22" Stroke | |
| Control Value: | 2,500 psi | |
| Engine | 13 HP Electric Start – Pump: 1 GPM | |

| | |
|--|-----------------------------|
| GVWR | |
| Axle, Suspension, & Running Gear | |
| # of Axles | 4 Air Suspension Axles |
| Axle Spacing | 50" |
| Axle Capacity | 22,500 lbs. |
| Brakes | 16 ½" x 7" – 22,500 lbs. |
| ABS | Optional |
| Decking / Flooring | |
| Main Decking | 2" Oak Lumber (Open Center) |
| Wheel Assembly | |
| Tires | 11 R 22.5 |
| Rims | 8.25 x 22.5 Steel Wheels |
| Finish | |
| Anticorrosive Undercoat – 2 Coats Epoxy Primer | |
| 2 Coats Gloss Acrylic Enamel Top Coat | |
| Mud Flaps & Reflective Tape | |
| Popular Options | |
| 1 ½" Mill Cambered | |
| Additional Deck Length up to 28' | |
| Aluminum Wheels | |
| Apitong Wood Decking | |
| Beavertail / Ramps | |
| Bucketwell | |
| Combo Wet Line & Power System | |
| Covered Wheels (Welded or Removable) | |
| Flush Bed Hooks | |
| T-1 100ksi (Main Frame) | |

For additional information on your Witzco Challenger Trailer contact the dealer nearest you.
 Call: (941) 922 – 5301 * Toll Free: 1-888-922-9900 * info@witzco.com

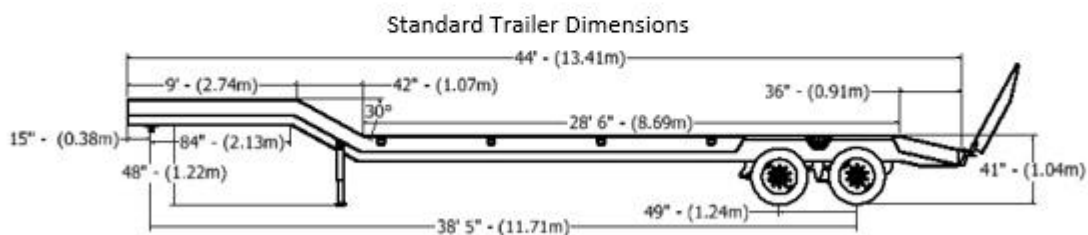
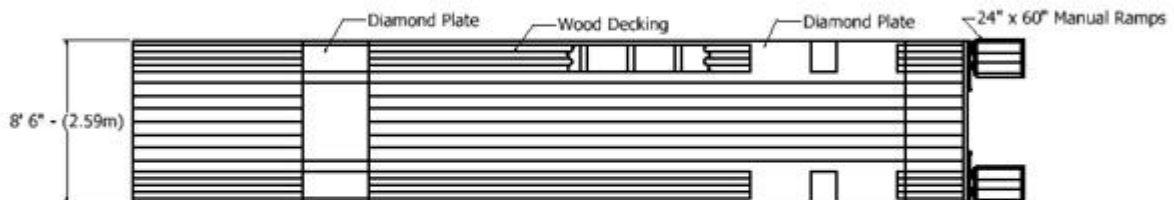




Model: RN - 35

Rigid Full Neck

| Overall Length | Overall Width | Gooseneck Length | Deck Length | Deck Height | Rear Length | Rear Height | Ground Clearance |
|----------------|---------------|------------------|-------------|-------------|-------------|-------------|------------------|
| 44' | 8' 6" | 9' | 28' 6" | 41" | N/A | N/A | N/A |



Weight 16,900 lbs. Capacity 70,000 lbs.

GVWR 86,900 lbs.

| Gooseneck | |
|------------------------------|-------|
| King Pin Style | Fixed |
| King Pin Setting | 15" |
| Swing Clearance | 84" |
| 5 th Wheel Height | 48" |
| King Pin | 2" |
| Ride Height Adj. | N/A |

| Axle, Suspension, & Running Gear | |
|----------------------------------|----------------------------|
| # of Axles | 2 Spring Suspension Axles |
| Axle Spacing | 49" |
| Axle Capacity | 25,000 lbs. |
| Brakes | 16 1/2" x 7" – 25,000 lbs. |
| ABS | 2S / 1M |

| Main Deck | |
|-------------------|---------------------------------|
| Main Beam | W16x45 Beams A992 Grade 50 |
| Centers | 40" Standard |
| Side Beams | C10x15.3 |
| Crossmembers | W8x10 A992 Grade 50 |
| Spacing | 24" Standard |
| Outriggers | N/A |
| # of D-Rings | 4 per Side |
| Front Ramps | N/A |
| Concentrated Load | 70,000 lbs. (Within a 16' Span) |

| Decking / Flooring | |
|--------------------|---------------|
| Main Decking | 2" Oak Lumber |

| Wheel Assembly | |
|----------------|--------------------------|
| Tires | 255 / 70R 22.5 |
| Rims | 8.25 x 22.5 Steel Wheels |

| Tail Section | |
|--------------|-----|
| Beavertail | 36" |

| Finish | |
|--|--|
| Anticorrosive Undercoat – 2 Coats Epoxy Primer | |
| 2 Coats Gloss Acrylic Enamel Top Coat | |
| Mud Flaps & Reflective Tape | |

| Electrical | |
|------------|-----------------------------|
| Lights | Sealed Modular Wire Harness |
| Connector | 7 Way Connector |

| Popular Options | |
|---|--|
| 36" x 84" Electric Over Hydraulic Ramps | |
| Additional Deck Length | |
| Additional D-Rings | |
| Air Ride Suspension w/ Lift Axle | |
| ISO Twist Locks | |
| Lockable Storage | |
| Manual Height Control | |
| Neck Fenders | |
| Rolling Tailboard | |
| Winch Kit | |

| Ramps | |
|------------------------|--|
| 24" x 60" Manual Ramps | |

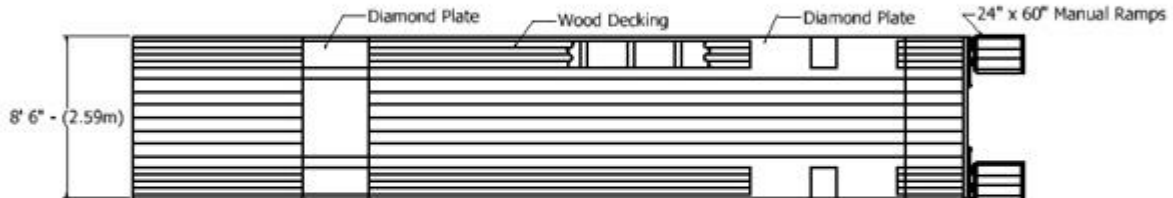
For additional information on your Witzco Challenger Trailer contact the dealer nearest you.
 Call: (941) 922 – 5301 * Toll Free: 1-888-922-9900 * info@witzco.com



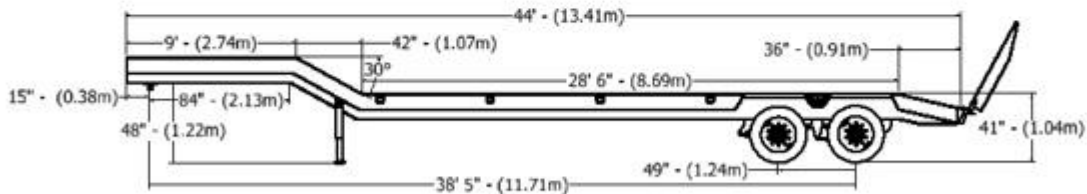
Model: RN - 40

Rigid Full Neck

| Overall Length | Overall Width | Gooseneck Length | Deck Length | Deck Height | Rear Length | Rear Height | Ground Clearance |
|----------------|---------------|------------------|-------------|-------------|-------------|-------------|------------------|
| 44' | 8' 6" | 9' | 28' 6" | 41" | N/A | N/A | N/A |



Standard Trailer Dimensions



| | | | |
|------------------------------|---------------------------------|-------------|--|
| Weight | Capacity | 80,000 lbs. | GVWR |
| Gooseneck | | | Axle, Suspension, & Running Gear |
| King Pin Style | Fixed | | # of Axles |
| King Pin Setting | 15" | | 2 Spring Suspension Axles |
| Swing Clearance | 84" | | Axle Spacing |
| 5 th Wheel Height | 48" | | 49" |
| King Pin | 2" | | Axle Capacity |
| Ride Height Adj. | N/A | | 25,000 lbs. |
| Main Deck | | | Brakes |
| Main Beam | W16x57 Beams A992 Grade 50 | | 16 1/2" x 7" – 25,000 lbs. |
| Centers | 40" Standard | | ABS |
| Side Beams | C10x15.3 | | 2S / 1M |
| Crossmembers | W8x10 A992 Grade 50 | | Decking / Flooring |
| Spacing | 24" Standard | | Main Decking |
| Outriggers | N/A | | 2" Oak Lumber |
| # of D-Rings | 4 per Side | | Wheel Assembly |
| Front Ramps | N/A | | Tires |
| Concentrated Load | 80,000 lbs. (Within a 16' Span) | | 255 / 70R 22.5 |
| Tail Section | | | Rims |
| Beavertail | 36" | | 8.25 x 22.5 Steel Wheels |
| Electrical | | | Finish |
| Lights | Sealed Modular Wire Harness | | Anticorrosive Undercoat – 2 Coats Epoxy Primer |
| Connector | 7 Way Connector | | 2 Coats Gloss Acrylic Enamel Top Coat |
| Ramps | | | Mud Flaps & Reflective Tape |
| 24" x 60" Manual Ramps | | | Popular Options |
| | | | 36" x 84" Electric Over Hydraulic Ramps |
| | | | Additional Deck Length |
| | | | Air Ride Suspension w/ Lift Axle |
| | | | Additional D-Rings |
| | | | ISO Twist Locks |
| | | | Lockable Storage |
| | | | Manual Height Control |
| | | | Neck Fenders |
| | | | Rolling Tailboard |
| | | | Winch Kit |

For additional information on your Witzco Challenger Trailer contact the dealer nearest you.

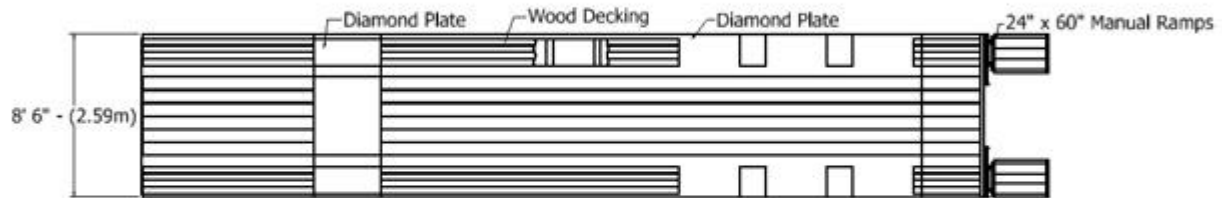
Call: (941) 922 – 5301 * Toll Free: 1-888-922-9900 * info@witzco.com



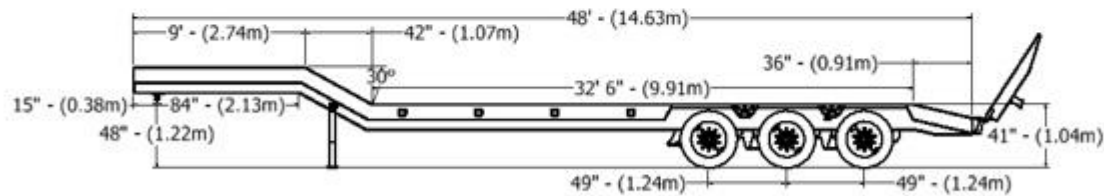
Model: RN - 52

Rigid Full Neck

| Overall Length | Overall Width | Gooseneck Length | Deck Length | Deck Height | Rear Length | Rear Height | Ground Clearance |
|----------------|---------------|------------------|-------------|-------------|-------------|-------------|------------------|
| 48' | 8' 6" | 9' | 32' 6" | 41" | N/A | N/A | N/A |



Standard Trailer Dimensions



Weight 20,030 lbs. Capacity 104,000 lbs.

GVWR 124,030 lbs.

| Gooseneck | |
|------------------------------|----------------------------------|
| King Pin Style | Fixed |
| King Pin Setting | 15" |
| Swing Clearance | 84" |
| 5 th Wheel Height | 48" |
| King Pin | 2" |
| Ride Height Adj. | N/A |
| Main Deck | |
| Main Beam | W16x77 Beams A992 Grade 50 |
| Centers | 40" Standard |
| Side Beams | C10x15.3 |
| Crossmembers | W8x10 A992 Grade 50 |
| Spacing | 24" Standard |
| Outriggers | N/A |
| # of D-Rings | 4 per Side |
| Front Ramps | N/A |
| Concentrated Load | 104,000 lbs. (Within a 16' Span) |
| Tail Section | |
| Beavertail | 36" |
| Electrical | |
| Lights | Sealed Modular Wire Harness |
| Connector | 7 Way Connector |
| Ramps | |
| 24" x 60" Manual Ramps | |

| Axle, Suspension, & Running Gear | |
|--|----------------------------|
| # of Axles | 3 Spring Suspension Axles |
| Axle Spacing | 49" |
| Axle Capacity | 25,000 lbs. |
| Brakes | 16 1/2" x 7" – 25,000 lbs. |
| ABS | Optional |
| Decking / Flooring | |
| Main Decking | 2" Oak Lumber |
| Wheel Assembly | |
| Tires | 255 / 70 R 22.5 |
| Rims | 8.25 x 22.5 Steel Wheels |
| Finish | |
| Anticorrosive Undercoat – 2 Coats Epoxy Primer | |
| 2 Coats Gloss Acrylic Enamel Top Coat | |
| Mud Flaps & Reflective Tape | |
| Popular Options | |
| 36" x 132" Electric Over Hydraulic Bi-Fold Ramps | |
| Additional Deck Length | |
| Additional D-Rings | |
| Air Ride Suspension w/ Lift Axle | |
| ISO Twist Locks | |
| Lockable Storage | |
| Manual Height Control | |
| Neck Fenders | |
| Rolling Tailboard | |
| Winch Kit | |

For additional information on your Witzco Challenger Trailer contact the dealer nearest you.

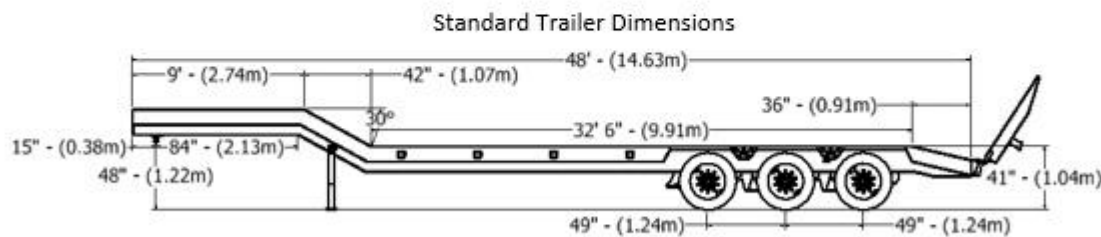
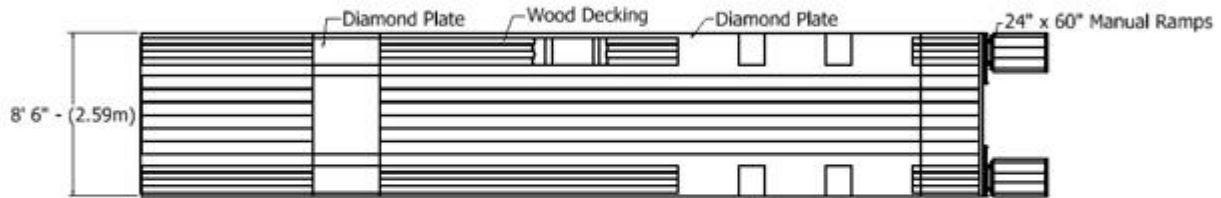
Call: (941) 922 – 5301 * Toll Free: 1-888-922-9900 * info@witzco.com



Model: RN - 60

Rigid Full Neck

| Overall Length | Overall Width | Gooseneck Length | Deck Length | Deck Height | Rear Length | Rear Height | Ground Clearance |
|----------------|---------------|------------------|-------------|-------------|-------------|-------------|------------------|
| 48' | 8' 6" | 9' | 32' 6" | 41" | N/A | N/A | N/A |



| | | |
|------------------------------|----------------------------------|--------------|
| Weight | Capacity | 120,000 lbs. |
| Gooseneck | | |
| King Pin Style | Fixed | |
| King Pin Setting | 15" | |
| Swing Clearance | 84" | |
| 5 th Wheel Height | 48" | |
| King Pin | 2" | |
| Ride Height Adj. | N/A | |
| Main Deck | | |
| Main Beam | W16x77 Beams A992 Grade 50 | |
| Centers | 40" Standard | |
| Side Beams | C10x15.3 | |
| Crossmembers | W8x10 A992 Grade 50 | |
| Spacing | 24" Standard | |
| Outriggers | N/A | |
| # of D-Rings | 4 per Side | |
| Front Ramps | N/A | |
| Concentrated Load | 120,000 lbs. (Within a 16' Span) | |
| Tail Section | | |
| Beavertail | 36" | |
| Electrical | | |
| Lights | Sealed Modular Wire Harness | |
| Connector | 7 Way Connector | |
| Ramps | | |
| 24" x 60" Manual Ramps | | |

| | |
|--|----------------------------|
| GVWR | |
| Axle, Suspension, & Running Gear | |
| # of Axles | 3 Spring Suspension Axles |
| Axle Spacing | 49" |
| Axle Capacity | 25,000 lbs. |
| Brakes | 16 1/2" x 7" – 25,000 lbs. |
| ABS | Optional |
| Decking / Flooring | |
| Main Decking | 2" Oak Lumber |
| Wheel Assembly | |
| Tires | 255 / 70 R 22.5 |
| Rims | 8.25 x 22.5 Steel Wheels |
| Finish | |
| Anticorrosive Undercoat – 2 Coats Epoxy Primer | |
| 2 Coats Gloss Acrylic Enamel Top Coat | |
| Mud Flaps & Reflective Tape | |
| Popular Options | |
| 36" x 132" Electric Over Hydraulic Bi-Fold Ramps | |
| Additional Deck Length | |
| Additional D-Rings | |
| Air Ride Suspension w/ Lift Axle | |
| ISO Twist Locks | |
| Lockable Storage | |
| Manual Height Control | |
| Neck Fenders | |
| Rolling Tailboard | |
| Winch Kit | |

For additional information on your Witzco Challenger Trailer contact the dealer nearest you.
 Call: (941) 922 – 5301 * Toll Free: 1-888-922-9900 * info@witzco.com

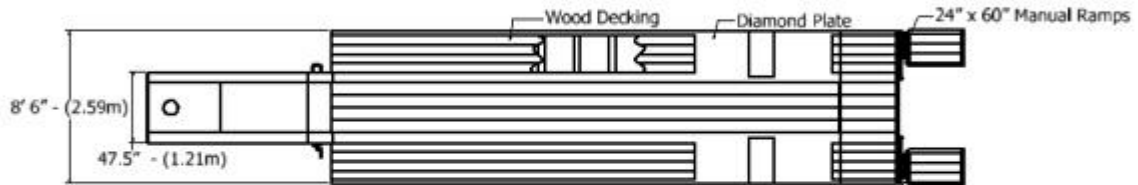




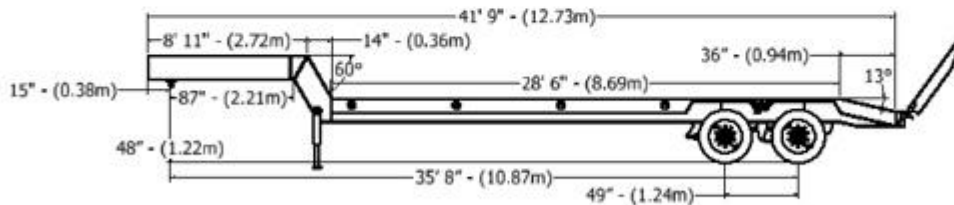
Model: RN - 35

Rigid Narrow Neck

| Overall Length | Overall Width | Gooseneck Length | Deck Length | Deck Height | Rear Length | Rear Height | Ground Clearance |
|----------------|---------------|------------------|-------------|-------------|-------------|-------------|------------------|
| 41' 9" | 8' 6" | 8' 11" | 28' 6" | 41" | N/A | N/A | N/A |



Standard Trailer Dimensions



| | | |
|------------------------------|---------------------------------|-------------|
| Weight | Capacity | 70,000 lbs. |
| Gooseneck | | |
| King Pin Style | Fixed | |
| King Pin Setting | 15" | |
| Swing Clearance | 87" | |
| 5 th Wheel Height | 48" | |
| King Pin | 2" | |
| Ride Height Adj. | N/A | |
| Main Deck | | |
| Main Beam | W16x45 Beams A992 Grade 50 | |
| Centers | 40" Standard | |
| Side Beams | C10x15.3 | |
| Crossmembers | W8x10 A992 Grade 50 | |
| Spacing | 24" Standard | |
| Outriggers | N/A | |
| # of D-Rings | 4 per Side | |
| Front Ramps | N/A | |
| Concentrated Load | 70,000 lbs. (Within a 16' Span) | |
| Tail Section | | |
| Beavertail | 36" | |
| Electrical | | |
| Lights | Sealed Modular Wire Harness | |
| Connector | 7 Way Connector | |
| Ramps | | |
| 24" x 60" Manual Ramps | | |

| | |
|--|----------------------------|
| GVWR | |
| Axle, Suspension, & Running Gear | |
| # of Axles | 2 Spring Suspension Axles |
| Axle Spacing | 49" |
| Axle Capacity | 25,000 lbs. |
| Brakes | 16 1/2" x 7" - 25,000 lbs. |
| ABS | 2S / 1M |
| Decking / Flooring | |
| Main Decking | 2" Oak Lumber |
| Wheel Assembly | |
| Tires | 255 / 70R 22.5 |
| Rims | 8.25 x 22.5 Steel Wheels |
| Finish | |
| Anticorrosive Undercoat - 2 Coats Epoxy Primer | |
| 2 Coats Gloss Acrylic Enamel Top Coat | |
| Mud Flaps & Reflective Tape | |
| Popular Options | |
| 36" x 84" Electric Over Hydraulic Ramps | |
| Additional Deck Length | |
| Additional D-Rings | |
| Air Ride Suspension w/ Lift Axle | |
| ISO Twist Locks | |
| Lockable Storage | |
| Manual Height Control | |
| Neck Fenders | |
| Rolling Tailboard | |
| Winch Kit | |

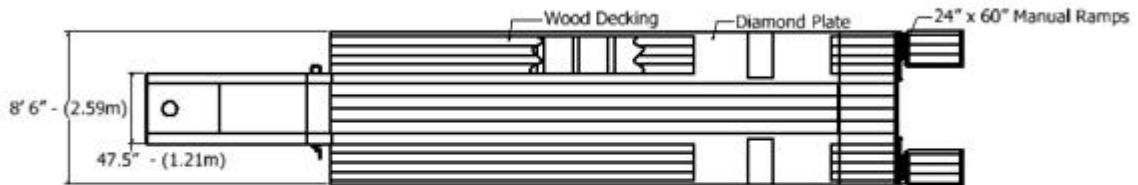
For additional information on your Witzco Challenger Trailer contact the dealer nearest you.
 Call: (941) 922 - 5301 * Toll Free: 1-888-922-9900 * info@witzco.com



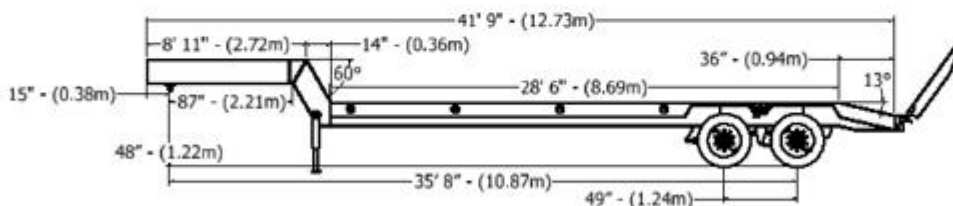
Model: RN - 40

Rigid Narrow Neck

| Overall Length | Overall Width | Gooseneck Length | Deck Length | Deck Height | Rear Length | Rear Height | Ground Clearance |
|----------------|---------------|------------------|-------------|-------------|-------------|-------------|------------------|
| 41' 9" | 8' 6" | 8' 11" | 28' 6" | 41" | N/A | N/A | N/A |



Standard Trailer Dimensions



Weight Capacity 80,000 lbs.

GVWR

| Gooseneck | |
|------------------------------|---------------------------------|
| King Pin Style | Fixed |
| King Pin Setting | 15" |
| Swing Clearance | 87" |
| 5 th Wheel Height | 48" |
| King Pin | 2" |
| Ride Height Adj. | N/A |
| Main Deck | |
| Main Beam | W16x57 Beams A992 Grade 50 |
| Centers | 40" Standard |
| Side Beams | C10x15.3 |
| Crossmembers | W8x10 A992 Grade 50 |
| Spacing | 24" Standard |
| Outriggers | N/A |
| # of D-Rings | 4 per Side |
| Front Ramps | N/A |
| Concentrated Load | 80,000 lbs. (Within a 16' Span) |
| Tail Section | |
| Beavertail | 36" |
| Electrical | |
| Lights | Sealed Modular Wire Harness |
| Connector | 7 Way Connector |
| Ramps | |
| 24" x 60" Manual Ramps | |

| Axle, Suspension, & Running Gear | |
|--|----------------------------|
| # of Axles | 2 Spring Suspension Axles |
| Axle Spacing | 49" |
| Axle Capacity | 25,000 lbs. |
| Brakes | 16 1/2" x 7" – 25,000 lbs. |
| ABS | 2S / 1M |
| Decking / Flooring | |
| Main Decking | 2" Oak Lumber |
| Wheel Assembly | |
| Tires | 255 / 70R 22.5 |
| Rims | 8.25 x 22.5 Steel Wheels |
| Finish | |
| Anticorrosive Undercoat – 2 Coats Epoxy Primer | |
| 2 Coats Gloss Acrylic Enamel Top Coat | |
| Mud Flaps & Reflective Tape | |
| Popular Options | |
| 36" x 84" Electric Over Hydraulic Ramps | |
| Additional Deck Length | |
| Additional D-Rings | |
| Air Ride Suspension w/ Lift Axle | |
| ISO Twist Locks | |
| Lockable Storage | |
| Manual Height Control | |
| Neck Fenders | |
| Rolling Tailboard | |
| Winch Kit | |

For additional information on your Witzco Challenger Trailer contact the dealer nearest you.

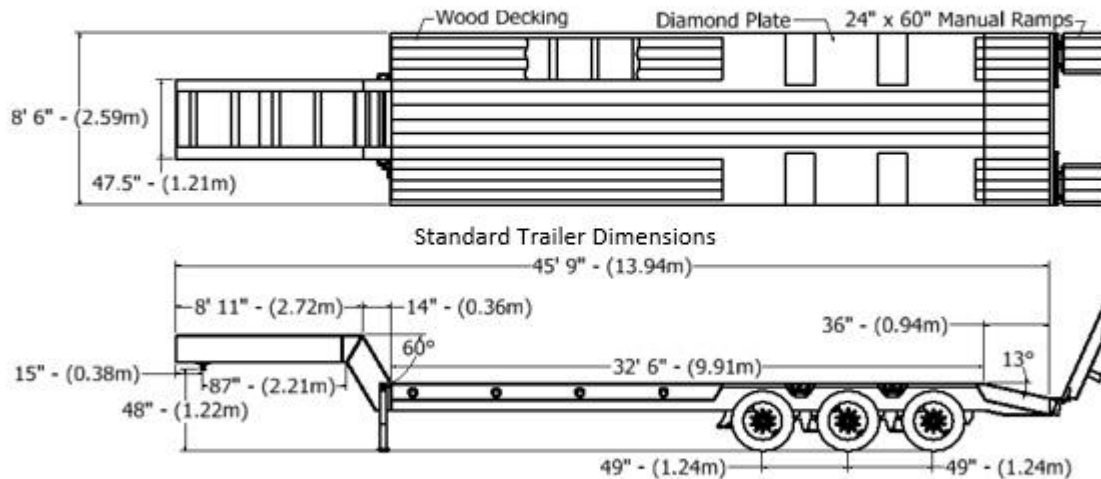
Call: (941) 922 – 5301 * Toll Free: 1-888-922-9900 * info@witzco.com



Model: RN - 52

Rigid Narrow Neck

| Overall Length | Overall Width | Gooseneck Length | Deck Length | Deck Height | Rear Length | Rear Height | Ground Clearance |
|----------------|---------------|------------------|-------------|-------------|-------------|-------------|------------------|
| 45' 9" | 8' 6" | 8' 11" | 32' 6" | 41" | N/A | N/A | N/A |



| | | |
|------------------------|----------------------------------|--------------|
| Weight | Capacity | 104,000 lbs. |
| Gooseneck | | |
| King Pin Style | Fixed | |
| King Pin Setting | 15" | |
| Swing Clearance | 87" | |
| 5th Wheel Height | 48" | |
| King Pin | 2" | |
| Ride Height Adj. | N/A | |
| Main Deck | | |
| Main Beam | W16x77 Beams A992 Grade 50 | |
| Centers | 40" Standard | |
| Side Beams | C10x15.3 | |
| Crossmembers | W8x10 A992 Grade 50 | |
| Spacing | 24" Standard | |
| Outriggers | N/A | |
| # of D-Rings | 4 per Side | |
| Front Ramps | N/A | |
| Concentrated Load | 104,000 lbs. (Within a 16' Span) | |
| Tail Section | | |
| Beavertail | 36" | |
| Electrical | | |
| Lights | Sealed Modular Wire Harness | |
| Connector | 7 Way Connector | |
| Ramps | | |
| 24" x 60" Manual Ramps | | |

| | |
|--|---|
| GVWR | Axle, Suspension, & Running Gear |
| # of Axles | 3 Spring Suspension Axles |
| Axle Spacing | 49" |
| Axle Capacity | 25,000 lbs. |
| Brakes | 16 1/2" x 7" - 25,000 lbs. |
| ABS | Optional |
| Decking / Flooring | |
| Main Decking | 2" Oak Lumber |
| Wheel Assembly | |
| Tires | 255 / 70 R 22.5 |
| Rims | 8.25 x 22.5 Steel Wheels |
| Finish | |
| Anticorrosive Undercoat - 2 Coats Epoxy Primer | |
| 2 Coats Gloss Acrylic Enamel Top Coat | |
| Mud Flaps & Reflective Tape | |
| Popular Options | |
| 36" x 132" Electric Over Hydraulic Bi-Fold Ramps | |
| Additional Deck Length | |
| Additional D-Rings | |
| Air Ride Suspension w/ Lift Axle | |
| ISO Twist Locks | |
| Lockable Storage | |
| Manual Height Control | |
| Neck Fenders | |
| Rolling Tailboard | |
| Winch Kit | |

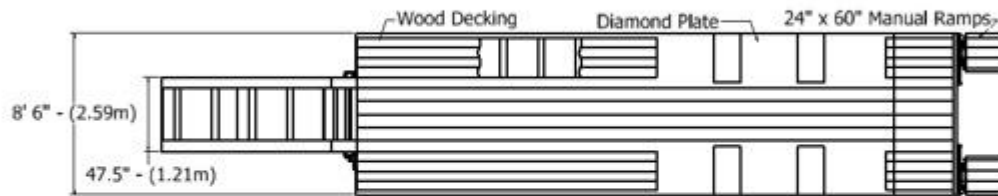
For additional information on your Witzco Challenger Trailer contact the dealer nearest you.
 Call: (941) 922 - 5301 * Toll Free: 1-888-922-9900 * info@witzco.com



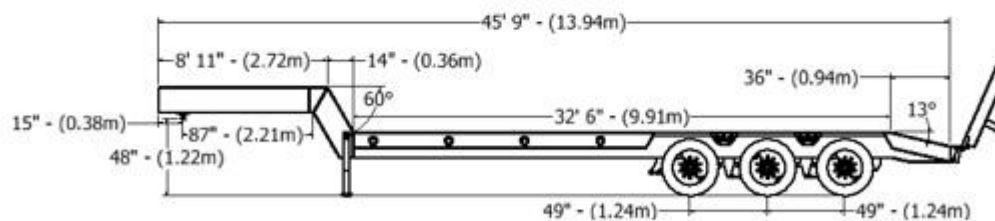
Model: RN - 60

Rigid Narrow Neck

| Overall Length | Overall Width | Gooseneck Length | Deck Length | Deck Height | Rear Length | Rear Height | Ground Clearance |
|----------------|---------------|------------------|-------------|-------------|-------------|-------------|------------------|
| 45' 9" | 8' 6" | 8' 11" | 32' 6" | 41" | N/A | N/A | N/A |



Standard Trailer Dimensions



| | | | |
|------------------------------|----------------------------------|--------------|--|
| Weight | Capacity | 120,000 lbs. | GVWR |
| Gooseneck | | | Axle, Suspension, & Running Gear |
| King Pin Style | Fixed | | # of Axles 3 Spring Suspension |
| King Pin Setting | 15" | | Axle Spacing 49" |
| Swing Clearance | 87" | | Axle Capacity 25,000 lbs. |
| 5 th Wheel Height | 48" | | Brakes 16 1/2" x 7" – 25,000 lbs. |
| King Pin | 2" | | ABS Optional |
| Ride Height Adj. | N/A | | Decking / Flooring |
| Main Deck | | | Main Decking 2" Oak Lumber |
| Main Beam | W16x77 Beams A992 Grade 50 | | Wheel Assembly |
| Centers | 40" Standard | | Tires 255 / 70 R 22.5 |
| Side Beams | C12x20.7 | | Rims 8.25 x 22.5 Steel Wheels |
| Crossmembers | W8x10 A992 Grade 50 | | Finish |
| Spacing | 24" Standard | | Anticorrosive Undercoat – 2 Coats Epoxy Primer |
| Outriggers | N/A | | 2 Coats Gloss Acrylic Enamel Top Coat |
| # of D-Rings | 4 per Side | | Mud Flaps & Reflective Tape |
| Front Ramps | N/A | | Popular Options |
| Concentrated Load | 120,000 lbs. (Within a 16' Span) | | 36" x 132" Electric Over Hydraulic Bi-Fold Ramps |
| Tail Section | | | Additional Deck Length |
| Beavertail | 36" | | Additional D-Rings |
| Electrical | | | Air Ride Suspension w/ Lift Axle |
| Lights | Sealed Modular Wire Harness | | ISO Twist Locks |
| Connector | 7 Way Connector | | Lockable Storage |
| Ramps | | | Manual Height Control |
| 24" x 60" Manual Ramps | | | Neck Fenders |
| | | | Rolling Tailboard |
| | | | Winch Kit |

For additional information on your Witzco Challenger Trailer contact the dealer nearest you.

Call: (941) 922 – 5301 * Toll Free: 1-888-922-9900 * info@witzco.com

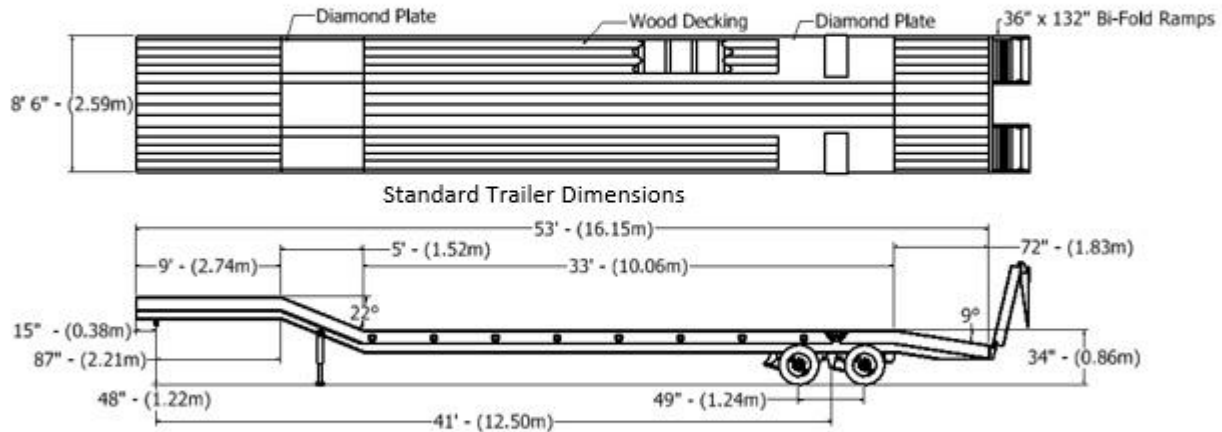




Model: RNP - 35

Rigid Neck Paver

| Overall Length | Overall Width | Gooseneck Length | Deck Length | Deck Height | Rear Length | Rear Height | Ground Clearance |
|----------------|---------------|------------------|-------------|-------------|-------------|-------------|------------------|
| 53' | 8' 6" | 9' | 33' | 34' | N/A | N/A | N/A |



| | | |
|--|---------------------------------|-------------|
| Weight | Capacity | 70,000 lbs. |
| Gooseneck | | |
| King Pin Style | Fixed | |
| King Pin Setting | 15" | |
| Swing Clearance | 87" | |
| 5 th Wheel Height | 48" | |
| King Pin | 2" | |
| Ride Height Adj. | N/A | |
| Main Deck | | |
| Main Beam | W16x57 Beams A572 Grade 50 | |
| Centers | 40" Standard | |
| Side Beams | C10x15.3 | |
| Crossmembers | W8x10 A992 Grade 50 | |
| Spacing | 24" Standard | |
| Outriggers | N/A | |
| # of D-Rings | 4 per Side | |
| Front Ramps | N/A | |
| Concentrated Load | 70,000 lbs. (Within a 16' Span) | |
| Tail Section | | |
| Beavertail | 72" | |
| Electrical | | |
| Lights | Sealed Modular Wire Harness | |
| Connector | 7 Way Connector | |
| Ramps | | |
| 36" x 132" Electric Over Hydraulic Bi-Fold Ramps | | |

| | |
|--|-----------------------------|
| GVWR | |
| Axle, Suspension, & Running Gear | |
| # of Axles | 2 Spring Suspension Axles |
| Axle Spacing | 49" |
| Axle Capacity | 25,000 lbs. |
| Brakes | 12.25" x 7.5" – 25,000 lbs. |
| ABS | 2S / 1M |
| Decking / Flooring | |
| Main Decking | 2" Oak Lumber |
| Wheel Assembly | |
| Tires | 215 / 75R 17.5 |
| Rims | 8.25 x 17.5 Steel Wheels |
| Finish | |
| Anticorrosive Undercoat – 2 Coats Epoxy Primer | |
| 2 Coats Gloss Acrylic Enamel Top Coat | |
| Mud Flaps & Reflective Tape | |
| Popular Options | |
| Additional Axle | |
| Additional Deck Length | |
| Additional D-Rings | |
| Air Ride Suspension w/ Lift Axle | |
| Lockable Storage | |
| Manual Height Control | |
| Multi-Function LED Strobe | |
| Rub Rail w/ Stake Pockets | |
| Outriggers 14 per Side | |
| Winch Kit | |

For additional information on your Witzco Challenger Trailer contact the dealer nearest you.
Call: (941) 922 – 5301 * Toll Free: 1-888-922-9900 * info@witzco.com

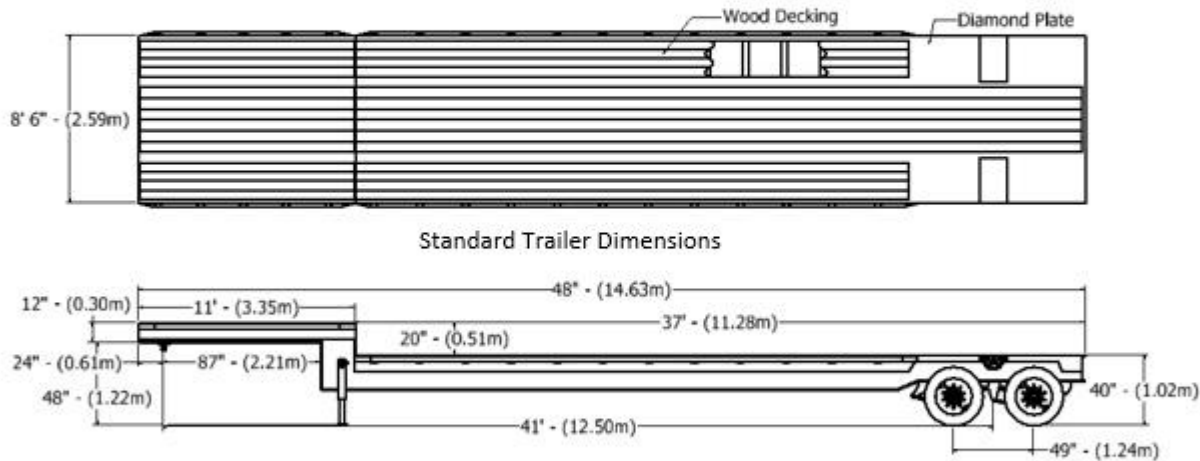




Model: DD - 40

Drop Deck

| Overall Length | Overall Width | Gooseneck Length | Deck Length | Deck Height | Rear Length | Rear Height | Ground Clearance |
|----------------|---------------|------------------|-------------|-------------|-------------|-------------|------------------|
| 48' | 8' 6" | 11' | 37' | 40" | N/A | N/A | N/A |



Standard Trailer Dimensions

| | | | |
|------------------------------|---------------------------------|-------------|--|
| Weight | Capacity | 80,000 lbs. | GVWR |
| Gooseneck | | | Axle, Suspension, & Running Gear |
| King Pin Style | Fixed | | # of Axles 2 Spring Suspension Axles |
| King Pin Setting | 24" | | Axle Spacing 49" |
| Swing Clearance | 87" | | Axle Capacity 25,000 lbs. |
| 5 th Wheel Height | 48" | | Brakes 16 1/2" x 7" – 25,000 lbs. |
| King Pin | 2" | | ABS 2S / 1M |
| Ride Height Adj. | N/A | | Decking / Flooring |
| Main Deck | | | Main Decking 2" Oak Lumber |
| Main Beam | W21x50 Beams A992 Grade 50 | | Wheel Assembly |
| Centers | 40" Standard | | Tires 255 / 70R 22.5 |
| Side Beams | C10x15.3 | | Rims 8.25 x 22.5 Steel Wheels |
| Crossmembers | W8x10 A992 Grade 50 | | Finish |
| Spacing | 24" Standard | | Anticorrosive Undercoat – 2 Coats Epoxy Primer |
| Outriggers | N/A | | 2 Coats Gloss Acrylic Enamel Top Coat |
| # of D-Rings | N/A | | Mud Flaps & Reflective Tape |
| Front Ramps | N/A | | Popular Options |
| Concentrated Load | 80,000 lbs. (Within a 16' Span) | | 36" x 84" Electric Over Hydraulic Ramps |
| Tail Section | | | 36" Beavertail |
| Riser | N/A | | 48" Headboard (Aluminum or Steel) |
| Electrical | | | Additional Deck Length |
| Lights | Sealed Modular Wire Harness | | Additional D-Rings |
| Connector | 7 Way Connector | | Air Ride Suspension w/ Lift Axle |
| Hydraulics | | | Apitong Wood Decking |
| N/A | | | ISO Twist Locks |
| N/A | | | Rolling Tailboard |
| N/A | | | Winch Kit |

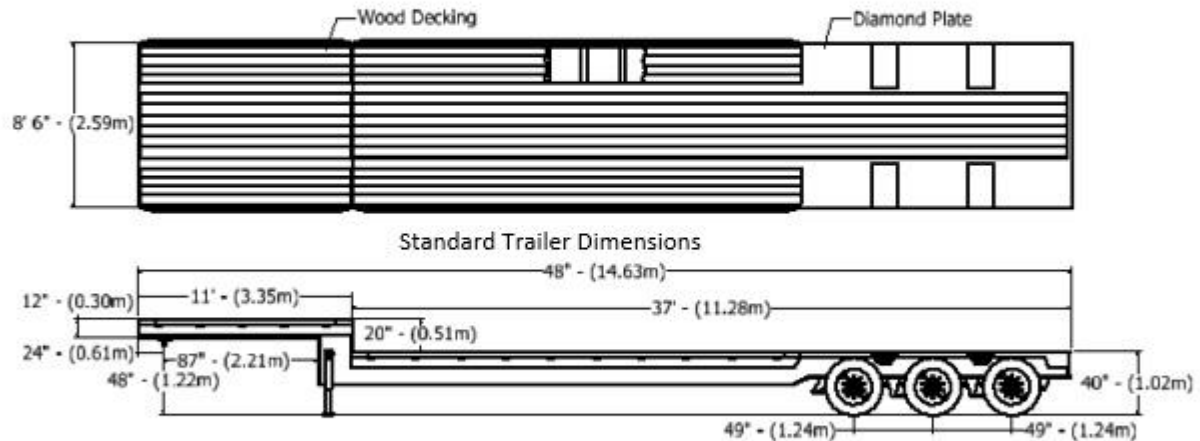
For additional information on your Witzco Challenger Trailer contact the dealer nearest you.
Call: (941) 922 – 5301 * Toll Free: 1-888-922-9900 * info@witzco.com



Model: DD - 52

Drop Deck

| Overall Length | Overall Width | Gooseneck Length | Deck Length | Deck Height | Rear Length | Rear Height | Ground Clearance |
|----------------|---------------|------------------|-------------|-------------|-------------|-------------|------------------|
| 48' | 8' 6" | 11' | 37' | 40" | N/A | N/A | N/A |



| | | |
|------------------------------|----------------------------------|--------------|
| Weight | Capacity | 104,000 lbs. |
| Gooseneck | | |
| King Pin Style | Fixed | |
| King Pin Setting | 24" | |
| Swing Clearance | 87" | |
| 5 th Wheel Height | 48" | |
| King Pin | 2" | |
| Ride Height Adj. | N/A | |
| Main Deck | | |
| Main Beam | W21x50 Beams A992 Grade 50 | |
| Centers | 40" Standard | |
| Side Beams | C10x15.3 | |
| Crossmembers | W8x10 A992 Grade 50 | |
| Spacing | 24" Standard | |
| Outriggers | N/A | |
| # of D-Rings | N/A | |
| Front Ramps | N/A | |
| Concentrated Load | 104,000 lbs. (Within a 16' Span) | |
| Tail Section | | |
| Riser | N/A | |
| Electrical | | |
| Lights | Sealed Modular Wire Harness | |
| Connector | 7 Way Connector | |
| Hydraulics | | |
| N/A | | |
| N/A | | |
| N/A | | |

| | |
|--|----------------------------|
| GVWR | |
| Axle, Suspension, & Running Gear | |
| # of Axles | 3 Spring Suspension Axles |
| Axle Spacing | 49" |
| Axle Capacity | 25,000 lbs. |
| Brakes | 16 1/2" x 7" – 25,000 lbs. |
| ABS | Optional |
| Decking / Flooring | |
| Main Decking | 2" Oak Lumber |
| Wheel Assembly | |
| Tires | 255 / 70R 22.5 |
| Rims | 8.25 x 22.5 Steel Wheels |
| Finish | |
| Anticorrosive Undercoat – 2 Coats Epoxy Primer | |
| 2 Coats Gloss Acrylic Enamel Top Coat | |
| Mud Flaps & Reflective Tape | |
| Popular Options | |
| 36" x 84" Electric Over Hydraulic Ramps | |
| 36" Beavertail | |
| 48" Headboard (Aluminum or Steel) | |
| Additional Deck Length | |
| Additional D-Rings | |
| Air Ride Suspension w/ Lift Axle | |
| Apitong Wood Decking | |
| ISO Twist Locks | |
| Rolling Tailboard | |
| Winch Kit | |

For additional information on your Witzco Challenger Trailer contact the dealer nearest you.
Call: (941) 922 – 5301 * Toll Free: 1-888-922-9900 * info@witzco.com

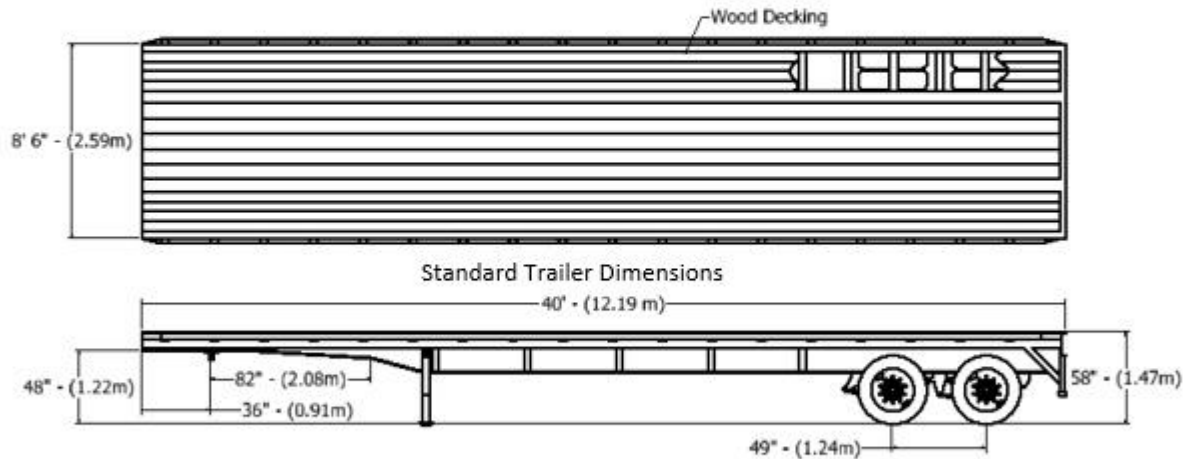




Model: SP - 35

Flat Bed

| Overall Length | Overall Width | Gooseneck Length | Deck Length | Deck Height | Rear Length | Rear Height | Ground Clearance |
|----------------|---------------|------------------|-------------|-------------|-------------|-------------|------------------|
| 40' | 8' 6" | N/A | 40' | 58" | N/A | N/A | N/A |



Weight 13,450 lbs. Capacity 70,000 lbs.

GVWR 83,450 lbs.

| Gooseneck | |
|------------------------------|---------------------------------|
| King Pin Style | Fixed |
| King Pin Setting | 36" |
| Swing Clearance | 82" |
| 5 th Wheel Height | 48" |
| King Pin | 2" |
| Ride Height Adj. | N/A |
| Main Deck | |
| Main Beam | W21x50 Beams A992 Grade 50 |
| Centers | 40" Standard |
| Side Beams | C8x11.5 |
| Crossmembers | W6x9 A992 Grade 50 |
| Spacing | 24" Standard |
| Outriggers | N/A |
| # of D-Rings | N/A |
| Front Ramps | N/A |
| Concentrated Load | 70,000 lbs. (Within a 16' Span) |
| Tail Section | |
| Riser | N/A |
| Electrical | |
| Lights | Sealed Modular Wire Harness |
| Connector | 7 Way Connector |
| Hydraulics | |
| N/A | |
| N/A | |
| N/A | |

| Axle, Suspension, & Running Gear | |
|--|----------------------------|
| # of Axles | 2 Spring Suspension Axles |
| Axle Spacing | 49" |
| Axle Capacity | 25,000 lbs. |
| Brakes | 16 1/2" x 7" - 25,000 lbs. |
| ABS | 2S /1M |
| Decking / Flooring | |
| Main Decking | 2" Oak Lumber |
| Wheel Assembly | |
| Tires | 11 R 22.5 |
| Rims | 8.25 x 22.5 Steel Wheels |
| Finish | |
| Anticorrosive Undercoat - 2 Coats Epoxy Primer | |
| 2 Coats Gloss Acrylic Enamel Top Coat | |
| Mud Flaps & Reflective Tape | |
| Popular Options | |
| 48" Headboard (Steel or Aluminum) | |
| Additional Deck Length | |
| Air Ride Suspension w/ Lift Axle | |
| Hubometer | |
| Iso Twist Locks | |
| Manual Height Control | |
| Manual Raise / Lower Kit | |
| Rolling Tailboard | |
| Strap Box | |
| Winch Kit | |

For additional information on your Witzco Challenger Trailer contact the dealer nearest you.

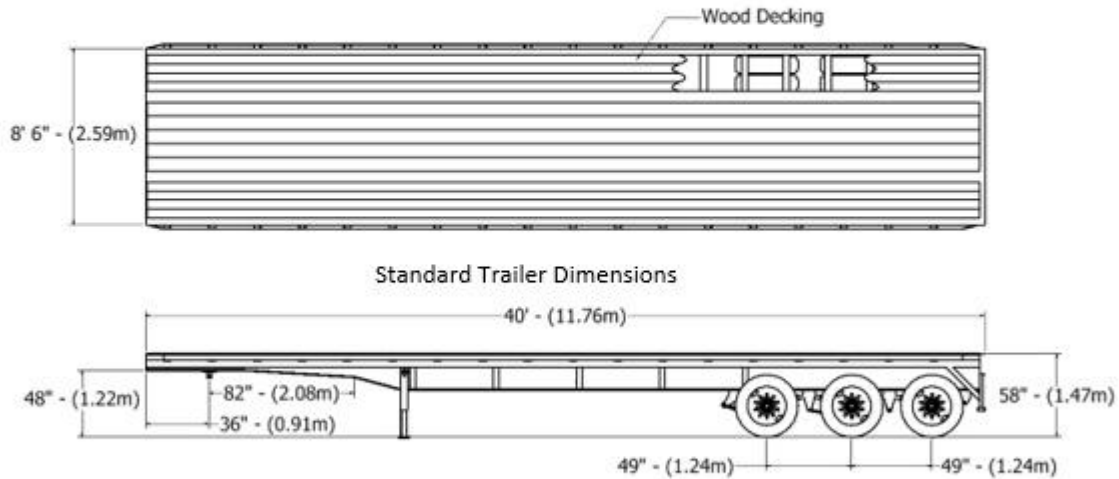
Call: (941) 922 - 5301 * Toll Free: 1-888-922-9900 * info@witzco.com



Model: SP - 52

Flat Bed

| Overall Length | Overall Width | Gooseneck Length | Deck Length | Deck Height | Rear Length | Rear Height | Ground Clearance |
|----------------|---------------|------------------|-------------|-------------|-------------|-------------|------------------|
| 40' | 8' 6" | N/A | 40' | 58" | N/A | N/A | N/A |



| | | |
|------------------------------|----------------------------------|--------------|
| Weight | Capacity | 104,000 lbs. |
| Gooseneck | | |
| King Pin Style | Fixed | |
| King Pin Setting | 36" | |
| Swing Clearance | 82" | |
| 5 th Wheel Height | 48" | |
| King Pin | 2" | |
| Ride Height Adj. | N/A | |
| Main Deck | | |
| Main Beam | W21x50 Beams A992 Grade 50 | |
| Centers | 40" Standard | |
| Side Beams | C10x15.3 | |
| Crossmembers | W8x10 A992 Grade 50 | |
| Spacing | 24" Standard | |
| Outriggers | N/A | |
| # of D-Rings | N/A | |
| Front Ramps | N/A | |
| Concentrated Load | 104,000 lbs. (Within a 16' Span) | |
| Tail Section | | |
| Riser | N/A | |
| Electrical | | |
| Lights | Sealed Modular Wire Harness | |
| Connector | 7 Way Connector | |
| Hydraulics | | |
| N/A | | |
| N/A | | |
| N/A | | |

| | |
|--|----------------------------|
| GVWR | |
| Axle, Suspension, & Running Gear | |
| # of Axles | 3 Spring Suspension Axles |
| Axle Spacing | 49" |
| Axle Capacity | 25,000 lbs. |
| Brakes | 16 1/2" x 7" – 25,000 lbs. |
| ABS | Optional |
| Decking / Flooring | |
| Main Decking | 2" Oak Lumber |
| Wheel Assembly | |
| Tires | 11 R 22.5 |
| Rims | 8.25" x 22.5 Steel Wheels |
| Finish | |
| Anticorrosive Undercoat – 2 Coats Epoxy Primer | |
| 2 Coats Gloss Acrylic Enamel Top Coat | |
| Mud Flaps & Reflective Tape | |
| Popular Options | |
| 48" Headboard (Steel or Aluminum) | |
| Additional Deck Length | |
| Air Ride Suspension w/ Lift Axle | |
| Hubometer | |
| Iso Twist Locks | |
| Manual Height Control | |
| Manual Raise / Lower Kit | |
| Rolling Tailboard | |
| Strap Box | |
| Winch Kit | |

For additional information on your Witzco Challenger Trailer contact the dealer nearest you.

Call: (941) 922 – 5301 * Toll Free: 1-888-922-9900 * info@witzco.com

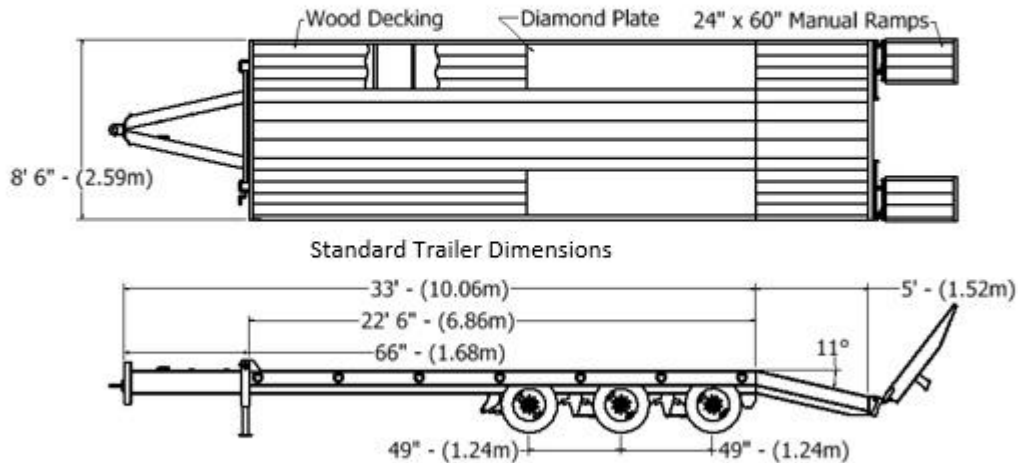




Model: TT - 25

Tag Trailer

| Overall Length | Overall Width | A-Frame Length | Deck Length | Deck Height | Rear Length | Rear Height | Ground Clearance |
|----------------|---------------|----------------|-------------|-------------|-------------|-------------|------------------|
| 33' | 8' 6" | 66" | 22' 6" | 34" | N/A | N/A | N/A |



Standard Trailer Dimensions

Weight 11,300 lbs. Capacity 50,000 lbs.

GVWR 61,300 lbs.

| A-Frame | |
|------------------------------|---------------------------------|
| Attachment Style | 3" I.D. Lunette Eye |
| Positions | 22.5", 27", 31.5" |
| Swing Clearance | N/A |
| 5 th Wheel Height | N/A |
| King Pin | N/A |
| Ride Height Adj. | N/A |
| Main Deck | |
| Main Beam | W14x30 Beams A992 Grade 50 |
| Centers | 36" |
| Side Beams | C6x8.2 |
| Crossmembers | W6x9 A992 Grade 50 |
| Spacing | 24" |
| Outriggers | N/A |
| # of D-Rings | 3 per Side |
| Front Ramps | N/A |
| Concentrated Load | 50,000 lbs. (Within a 16' Span) |
| Tail Section | |
| Beavertail | 60" |
| Electrical | |
| Lights | Incandescent |
| Wire Harness | 7 Way Connector |
| Ramps | |
| 24" X 60" Manual Ramps | |

| Axle, Suspension, & Running Gear | |
|--|-----------------------------|
| # of Axles | 3 Spring Suspension Axles |
| Axle Spacing | 49" |
| Axle Capacity | 25,000 lbs. |
| Brakes | 12.25" x 7.5" – 25,000 lbs. |
| ABS | 4S / 2M |
| Decking / Flooring | |
| Main Decking | 2" Oak Lumber |
| Wheel Assembly | |
| Tires | 235 / 75R 17.5 |
| Rims | 8.25 x 17.5 Steel Wheels |
| Finish | |
| Anticorrosive Undercoat – 2 Coats Epoxy Primer | |
| 2 Coats Gloss Acrylic Enamel Top Coat | |
| Mud Flaps & Reflective Tape | |
| Popular Options | |
| 36" x 84" Electric Over Hydraulic Ramps | |
| 72" Beavertail | |
| Additional Deck Length | |
| Additional D-Rings | |
| Air Ride Suspension w/ Lift Axle | |
| Lift Axle on 1 st Axle | |
| Outriggers | |
| Rub Rail w/ Stake Pockets | |
| Self-cleaning Beavertail and Ramps | |
| Spare Tire and Carrier | |

For additional information on your Witzco Challenger Trailer contact the dealer nearest you.

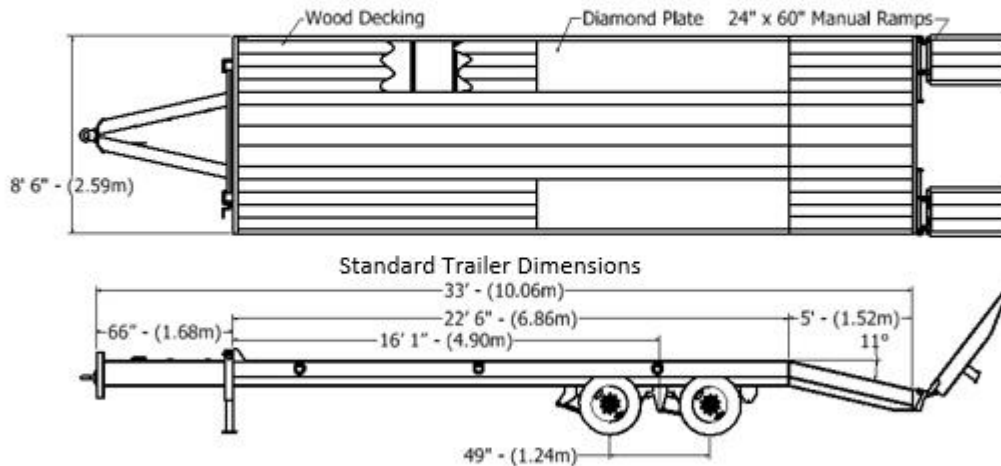
Call: (941) 922 – 5301 * Toll Free: 1-888-922-9900 * info@witzco.com



Model: TT - 20

Tag Trailer

| Overall Length | Overall Width | A-Frame Length | Deck Length | Deck Height | Rear Length | Rear Height | Ground Clearance |
|----------------|---------------|----------------|-------------|-------------|-------------|-------------|------------------|
| 33' | 8' 6" | 66" | 22' 6" | 34" | N/A | N/A | N/A |



Weight 10,100 lbs. Capacity 40,000 lbs.

GVWR 50,100 lbs.

| A-Frame | |
|------------------------------|---------------------------------|
| Attachment Style | 3" I.D. Lunette Eye |
| Positions | 22.5", 27", 31.5" |
| Swing Clearance | N/A |
| 5 th Wheel Height | N/A |
| King Pin | N/A |
| Ride Height Adj. | N/A |
| Main Deck | |
| Main Beam | W14x30 Beams A992 Grade 50 |
| Centers | 36" |
| Side Beams | C6x8.2 |
| Crossmembers | W4x7.7 A992 Grade 50 |
| Spacing | 24" |
| Outriggers | N/A |
| # of D-Rings | 3 per Sides |
| Front Ramps | N/A |
| Concentrated Load | 40,000 lbs. (Within a 16' Span) |
| Tail Section | |
| Beavertail | 60" |
| Electrical | |
| Lights | Incandescent |
| Wire Harness | 7 Way Connector |
| Ramps | |
| 24" x 60" Manual Ramps | |

| Axle, Suspension, & Running Gear | |
|--|-----------------------------|
| # of Axles | 2 Spring Suspension Axles |
| Axle Spacing | 49" |
| Axle Capacity | 25,000 lbs. |
| Brakes | 12.25" x 7.5" - 25,000 lbs. |
| ABS | 2S / 1M |
| Decking / Flooring | |
| Main Decking | 2" Oak Lumber |
| Wheel Assembly | |
| Tires | 215 / 75R 17.5 |
| Rims | 8.25 x 17.5 Steel Wheels |
| Finish | |
| Anticorrosive Undercoat - 2 Coats Epoxy Primer | |
| 2 Coats Gloss Acrylic Enamel Top Coat | |
| Mud Flaps & Reflective Tape | |
| Popular Options | |
| 36" x 84" Electric Over Hydraulic Ramps | |
| 72" Beavertail | |
| Additional Deck Length | |
| Additional D-Rings | |
| Air Ride Suspension w/ Lift Axle | |
| Lift Axle on 1 st Axle | |
| Outriggers | |
| Rub Rail w/ Stake Pockets | |
| Self-cleaning Beavertail and Ramps | |
| Spare Tire and Carrier | |

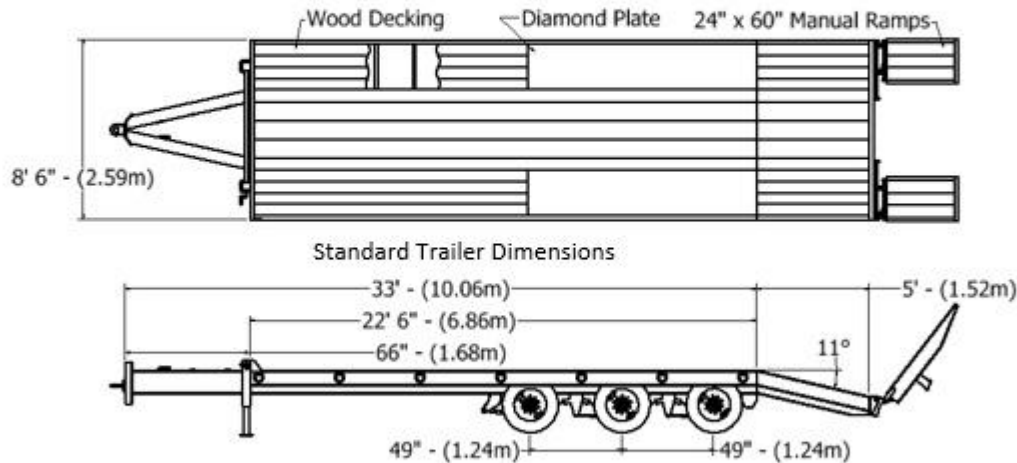
For additional information on your Witzco Challenger Trailer contact the dealer nearest you.
 Call: (941) 922 - 5301 * Toll Free: 1-888-922-9900 * info@witzco.com



Model: TT - 30

Tag Trailer

| Overall Length | Overall Width | A-Frame Length | Deck Length | Deck Height | Rear Length | Rear Height | Ground Clearance |
|----------------|---------------|----------------|-------------|-------------|-------------|-------------|------------------|
| 33' | 8' 6" | 66" | 22' 6" | 34" | N/A | N/A | N/A |



| | | |
|------------------------------|---------------------------------|-------------|
| Weight | Capacity | 60,000 lbs. |
| A-Frame | | |
| Attachment Style | 3" I.D. Lunette Eye | |
| Positions | 22.5", 27", 31.5" | |
| Swing Clearance | N/A | |
| 5 th Wheel Height | N/A | |
| King Pin | N/A | |
| Ride Height Adj. | N/A | |
| Main Deck | | |
| Main Beam | W14x30 Beams A992 Grade 50 | |
| Centers | 36" | |
| Side Beams | C6x8.2 | |
| Crossmembers | W6x9 A992 Grade 50 | |
| Spacing | 24" | |
| Outriggers | N/A | |
| # of D-Rings | 3 per Side | |
| Front Ramps | N/A | |
| Concentrated Load | 60,000 lbs. (Within a 16' Span) | |
| Tail Section | | |
| Beavertail | 60" | |
| Electrical | | |
| Lights | Incandescent | |
| Wire Harness | 7 Way Connector | |
| Ramps | | |
| 24" X 60" Manual Ramps | | |

| | |
|--|-----------------------------|
| GVWR | |
| Axle, Suspension, & Running Gear | |
| # of Axles | 3 Spring Suspension Axles |
| Axle Spacing | 49" |
| Axle Capacity | 25,000 lbs. |
| Brakes | 12.25" x 7.5" – 25,000 lbs. |
| ABS | 4S / 2M |
| Decking / Flooring | |
| Main Decking | 2" Oak Lumber |
| Wheel Assembly | |
| Tires | 235 / 75R 17.5 |
| Rims | 8.25 x 17.5 Steel Wheels |
| Finish | |
| Anticorrosive Undercoat – 2 Coats Epoxy Primer | |
| 2 Coats Gloss Acrylic Enamel Top Coat | |
| Mud Flaps & Reflective Tape | |
| Popular Options | |
| 36" x 84" Electric Over Hydraulic Ramps | |
| 72" Beavertail | |
| Additional Deck Length | |
| Additional D-Rings | |
| Air Ride Suspension w/ Lift Axle | |
| Lift Axle on 1 st Axle | |
| Outriggers | |
| Rub Rail w/ Stake Pockets | |
| Self-cleaning Beavertail and Ramps | |
| Spare Tire and Carrier | |

For additional information on your Witzco Challenger Trailer contact the dealer nearest you.

Call: (941) 922 – 5301 * Toll Free: 1-888-922-9900 * info@witzco.com