

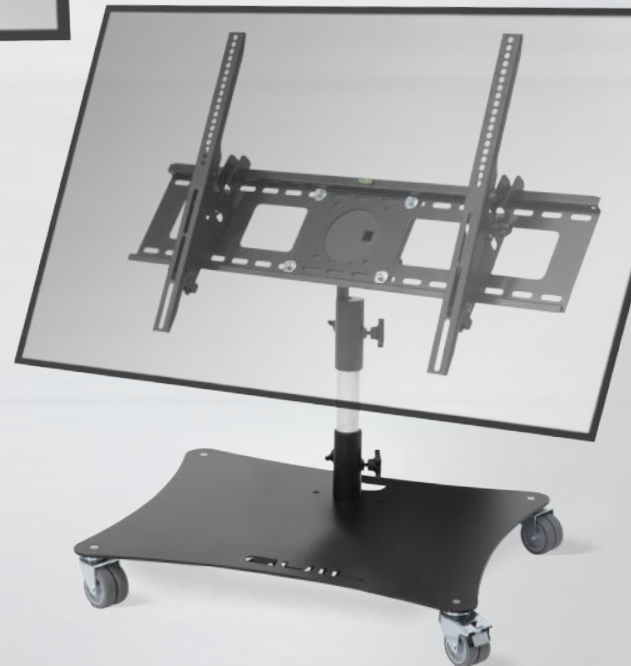
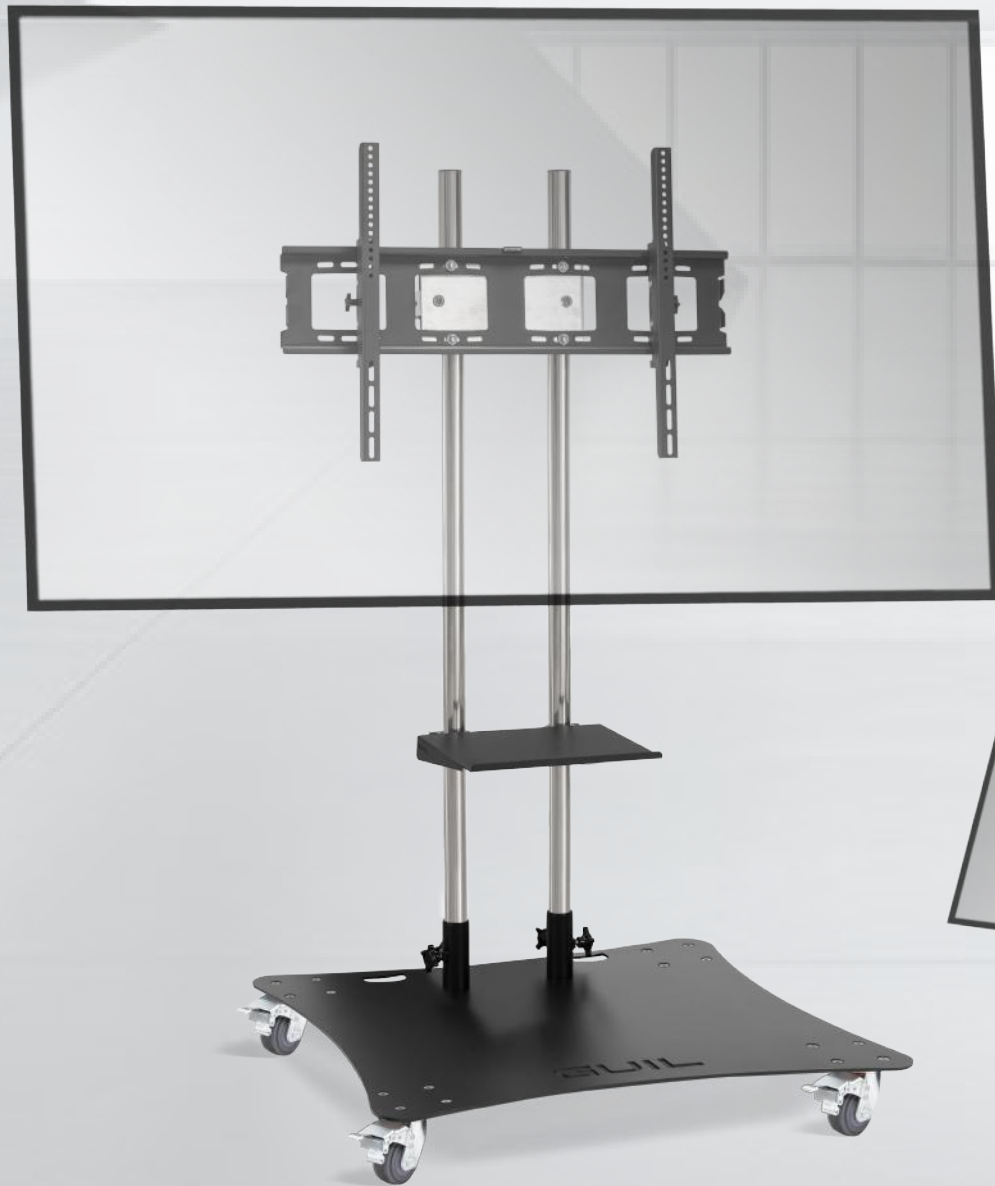


GUIL®

Since 1983

A/V MOBILE SCREEN STANDS

UP TO 100"



PROFESSIONAL STANDS DESIGNED TO COMPLEMENT YOUR SPACE

Our mobile screen stands combine design with maximum stability and strength, making them the perfect choice for **for environments where image and communication take centre stage.**

SCREENS UP TO 100"

STAINLESS STEEL POLE

REINFORCED WHEELS

MULTIPURPOSE TRAY

HEIGHT & TILT

ADJUSTABLE HEAD



INDICE



PTR-25 MINI

Screen Size
From 32" to 65"

Tilt angle: 90°

Pag. 2,3

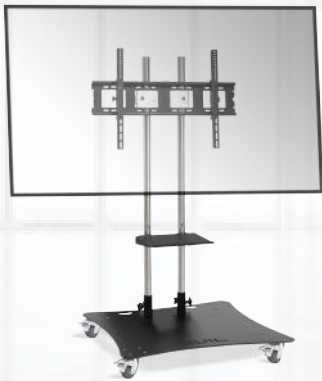
PTR-08 PTR-08/N

Screen Size
From 32" to 65"

Includes Tray: **Yes**

Tilt angle: -5°/+15°

Pag. 10,13-14



PTR-100 PTR-100/N

Screen Size
From 50" to 100"

Includes Tray: **Yes**

Tilt angle: -5°/+15°

Pag. 4-7

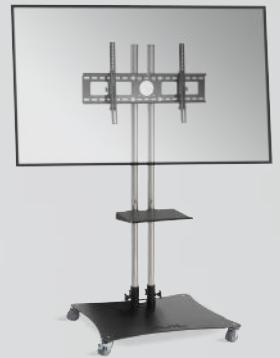
PTR-08G PTR-08G/N

Screen Size
From 32" to 80"

Includes Tray: **Yes**

Tilt angle: -5°/+15°

Pag.11,13-14



PTR-01XL PTR-01XL/N

Screen Size
From 32" to 55"

Tilt angle: -5°/+15°

Pag. 8,9

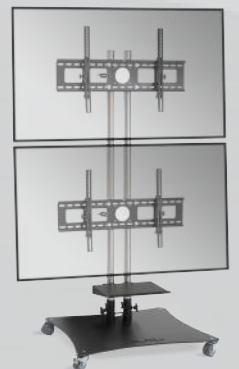
PTR-08/2C PTR-08/2C/N

Screen Size
From 32" to 65"

Includes Tray: **Yes**

Tilt angle: -5°/+15°

Pag.12,13-14



VIDEO PROJECTORS MOUNTS

WALL MOUNTS

MOBILE PHONE&TABLET HOLDERS



Pag.15



Pag.15

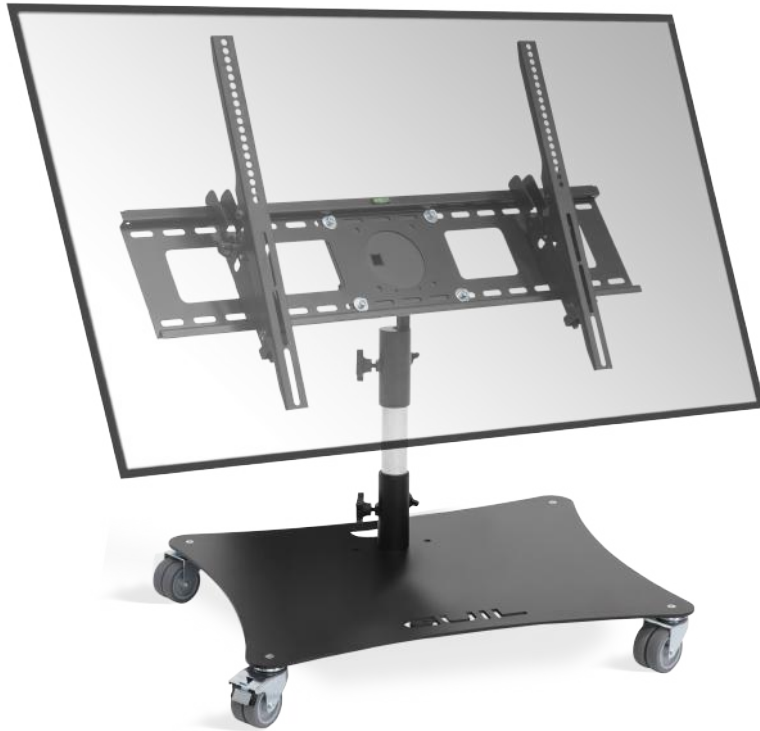


Pag.15

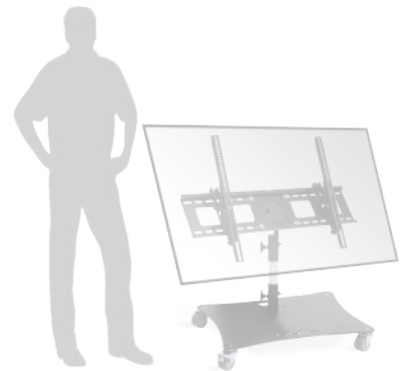


Low-level mobile stand for TV screens adjustable up to 65"

REDUCED HEIGHT



FOR SCREENS
up to 65"



Our mobile TV trolley for screens has a special mount which can be tilted using a metallic adjusting system, guaranteeing maximum resistance and stability. Its **tilting regulation system allows fine adjustment** to achieve **optimum screen positioning**. The screen can be positioned at the desired angle, from vertical to horizontal (offering multiple angle positions).



SPECIFICATIONS PTR-25

- ▶ Screen Size: **From 32" to 65"**
- ▶ VESA: **Max.: 800 x 500 mm**
- ▶ Load Capacity: **70 Kg**
- ▶ Overall Height: **90 cm**
- ▶ Double Wheels: **Ø 75 mm**
- ▶ Base: **65 x 50 cm (Height: 11 cm)**
- ▶ Net Weight: **22 kg**
- ▶ Colour: **Black & Aluminium**
- ▶ Material: **Steel (screen mount & base) & Aluminium (mast)**



HEAVY-DUTY BASE WITH WHEELS

Its reinforced base, made of a laser cut steel plate, is **provided with four NON-MARKING double swivel castors (2 with brakes)**, which ensure safe and easy manoeuvrability. Note: The wheels can also be removed and the stand placed directly on the floor or as an alternative the user can order adjustable-level feet.



TILTING MOUNT

The screen can be placed in a straight position or with a tilt of up to 90°, **allowing multiple positions**, to provide the optimum viewing angle and thus guarantee perfect visibility. Tilt adjustment is achieved **through a metal toothed wheel system** ensuring maximum strength and durability. The universal screen mount has **a spirit level** to guarantee a perfect screen adjustment when installed.



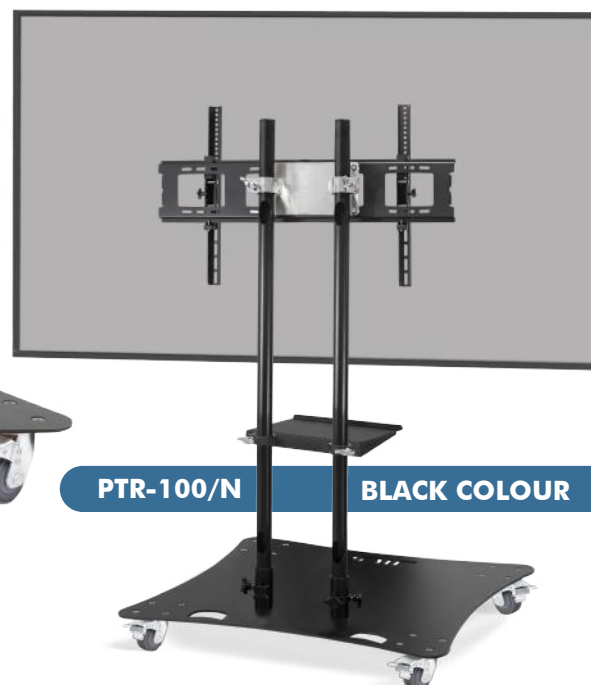
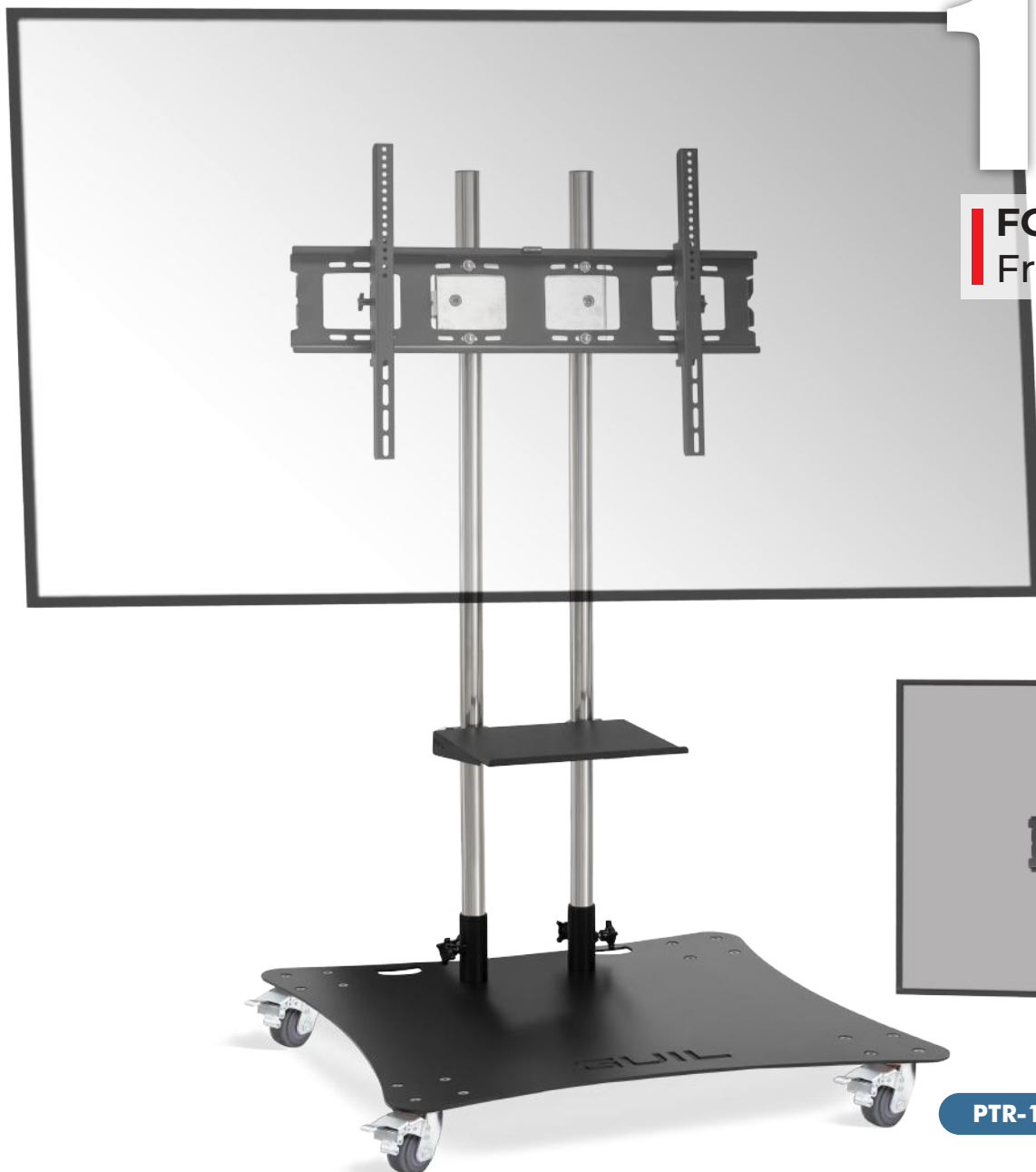


Professional mobile stand to display TV screens from 50 to 100 inches with a maximum weight of 100 Kg. Our mobile TV trolley for plasma screens, LCD and LED screens of up to 100" is **adjustable** in height and includes a tilting mount and an auxiliary tray for holding any devices.



100"

FOR SCREENS
From 50" to 100"



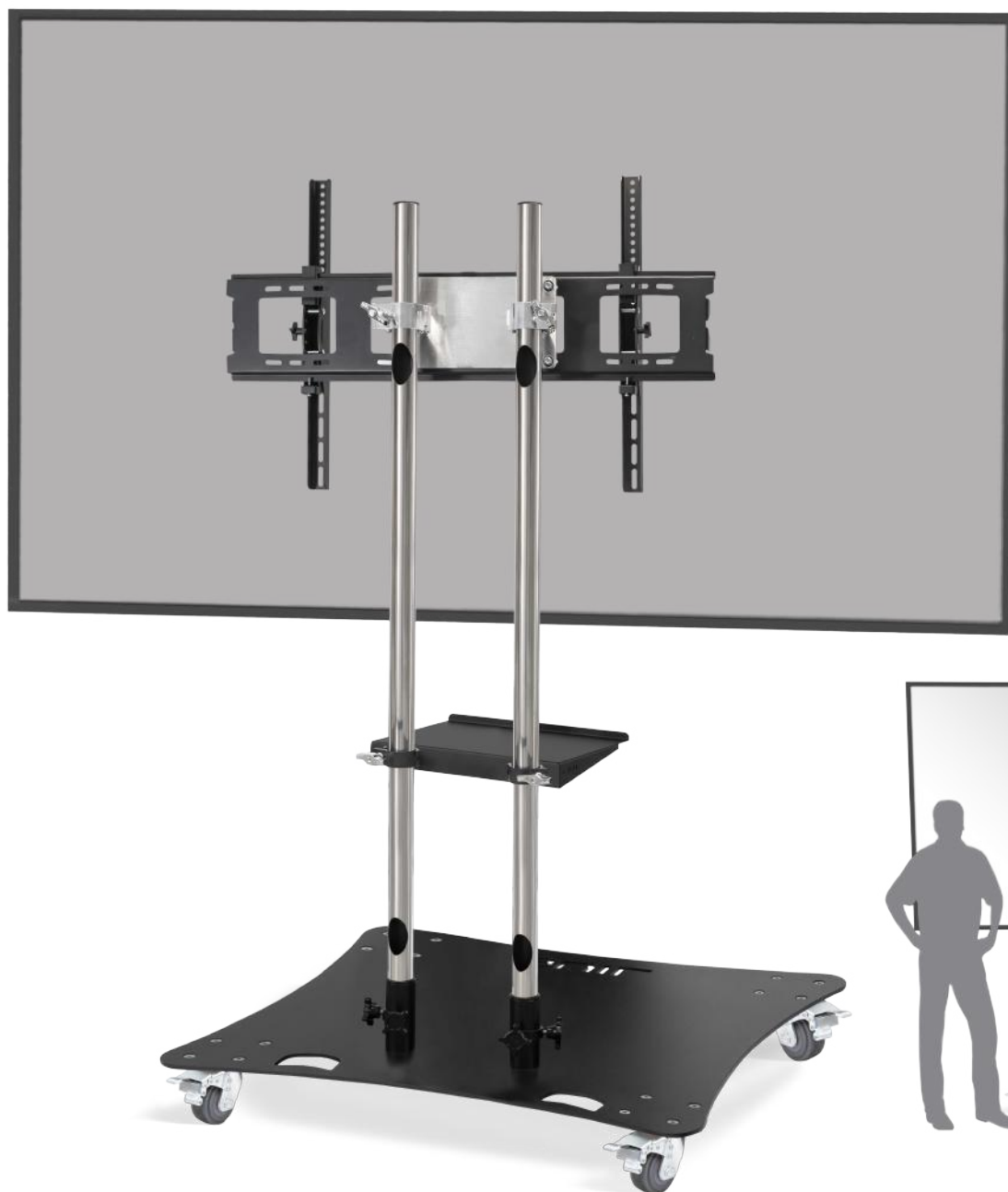
PTR-100/N

BLACK COLOUR

SPECIFICATIONS PTR-100 | PTR-100/N

- ▶ Screen Size: **From 50" to 100"**
- ▶ VESA: **Min.170x38 mm / Max.: 900x600 mm**
- ▶ Load Capacity: **100 Kg**
- ▶ Overall Height: **226 cm**
- ▶ Wheels with brake: **Ø 100 mm**
- ▶ Base: **98,5 x 80 cm (Height: 14,5 cm)**
- ▶ Net Weight: **59 kg**
- ▶ Tray Ref. PTR-B/2: **Included**
- ▶ Material: **Stainless steel (masts), steel (screen mount, shelf & base) & aluminium (couplers)**



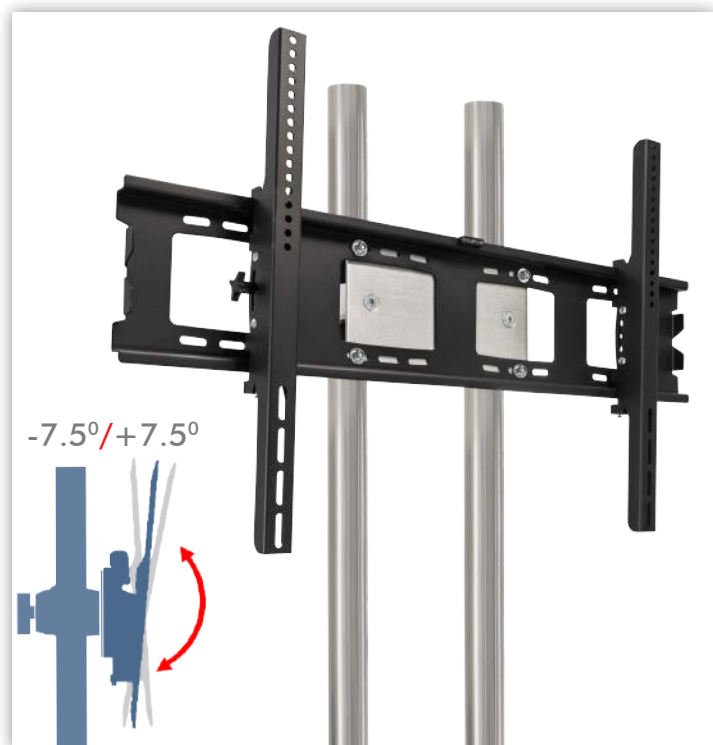


Its **two removable poles** are made of **stainless steel**, guaranteeing maximum durability and resistance even when the stands are used outdoors (terraces, outdoor events, etc.). Integrated cable management.

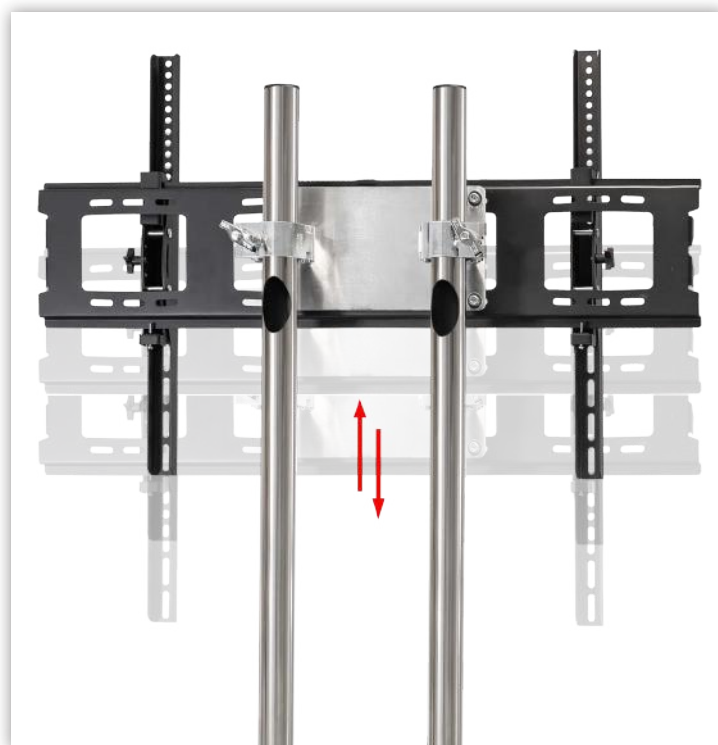
MAXIMUM STABILITY

A large base, fitted with four \varnothing 100mm swivel wheels with brakes and bearings to make the PTR-100 easier to manoeuvre, allowing the stand to be moved easily from one room to another without having to dismantle it.

Designed to be completely dismantled if necessary, our TV stand for screens of up to 100" includes all the components necessary for a quick and easy setup. The base has two handles to make it easy to manoeuvre and load in vehicles.

TILTING MOUNT

The screen can be placed in a vertical position or with a downward tilt of up to 15° for seated viewing. The universal screen mount has a spirit level to guarantee a perfect screen adjustment when installed.

ADJUSTABLE IN HEIGHT

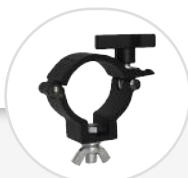
The height of the screen can be adjusted by sliding it up or down the stainless-steel masts and securing it at any height, using the aluminium couplers with safety catches.

AUXILIARY TRAY INCLUDED

The PTR-100 screen stand is equipped with a 40x30cm auxiliary tray (Ref. PTR-B/2), which is very practical to put DVDs, laptops, projectors or any other device on.

The mobile tray is fastened to the poles of the stand with aluminium clamps, and can be positioned at any height.

In addition to their main function, the tray and its clamps also reinforce the structure, and for this reason it is obligatory to install them. Note: Additional trays can be ordered separately.



SPIRIT LEVEL

The steel head incorporates an integrated bubble level for precise installation adjustment.

CABLE MANAGEMENT

The stainless steel masts feature cable management access for the various devices.

**HEAVY-DUTY BASE (WITH WHEELS)**

Its reinforced base, made of a laser cut steel plate, is **provided with four NON-MARKING double swivel castors (2 with brakes)**, which ensure safe and easy manoeuvrability. Note: The wheels can also be removed and the stand placed directly on the floor or as an alternative the user can order adjustable-level feet.



Ø100 mm



EQUIPPED WITH HANDLE



Professional mobile stand to display TV screens from 32 to 55 inches with a maximum weight of 40 Kg. Is **adjustable in height and includes a tilting mount**. Fits any screen with VESA standard hole size: max 800 x 500 mm.



FOR SCREENS
From 32" to 55"



PTR-01XL/N

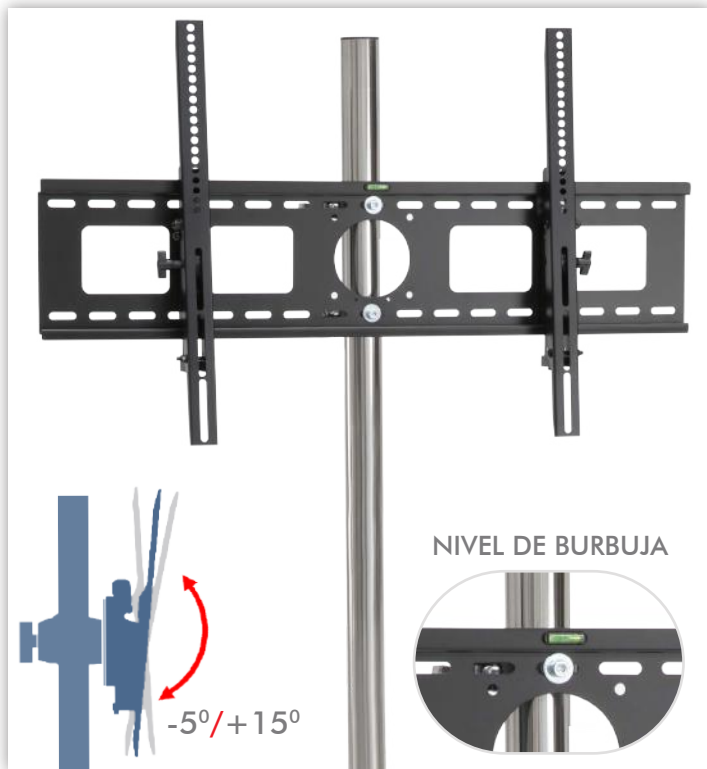
BLACK COLOUR

SPECIFICATIONS PTR-01XL | PTR-01XL/N

- ▶ Screen size: **From 32" to 55"**
- ▶ VESA: **Max.: 800 x 500 mm**
- ▶ Load Capacity: **40 Kg**
- ▶ Overall Height: **215 cm**
- ▶ Double Wheels: **Ø 50 mm**
- ▶ Base: **65 x 50 cm (Height: 8 cm)**
- ▶ Net Weight: **23 kg**
- ▶ Tray Ref. PTR-B/1: **Available**
- ▶ Material: **Stainless steel (mast), steel (shelf & base) & aluminium (coupler)**



TILTING MOUNT



The screen can be placed in a straight position or with a downward tilt of up to 15° for seated viewing. The universal screen mount has a spirit level to guarantee a perfect screen adjustment when installed.

ADJUSTABLE IN HEIGHT



The height of the screen can be adjusted by sliding it up or down the stainless-steel masts with shiny finish and securing it with the aluminium couplers. La columna de acero inoxidable tiene acceso para el paso de los cables de los diferentes dispositivos.

HEAVY-DUTY BASE WITH WHEELS



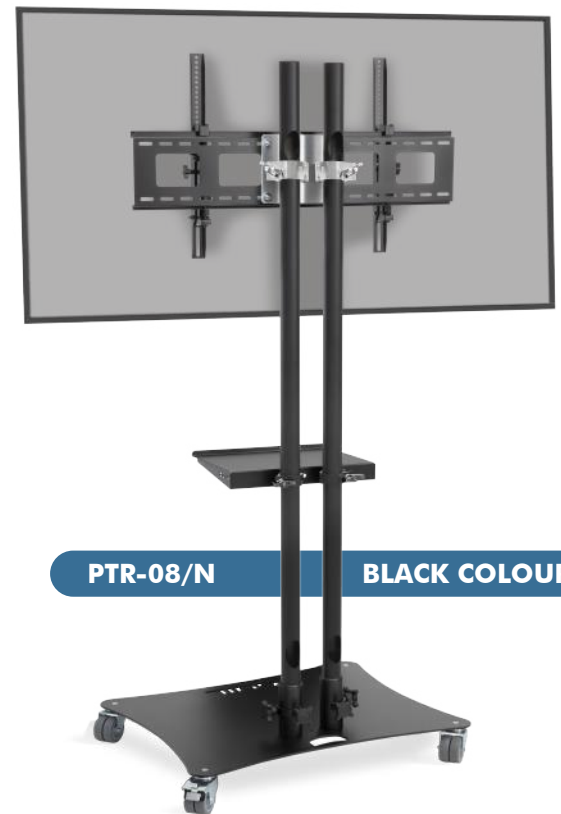
Its reinforced base, made of a laser cut steel plate, is provided with four NON-MARKING double swivel castors (2 with brakes), which ensure safe and easy manoeuvrability. Note: The wheels can also be removed and the stand placed directly on the floor or as an alternative the user can order adjustable-level feet.



Professional mobile stand to display TV screens from 32 to 65 inches with a maximum weight of 70 Kg. Fits any screen with VESA standard hole size: max. 800 x 500 mm. Our mobile TV trolley for plasma screens, LCD and LED screens is adjustable in height and includes a tilting mount and an auxiliary tray for holding AV equipment.



FOR SCREENS
From 32" to 65"



PTR-08/N

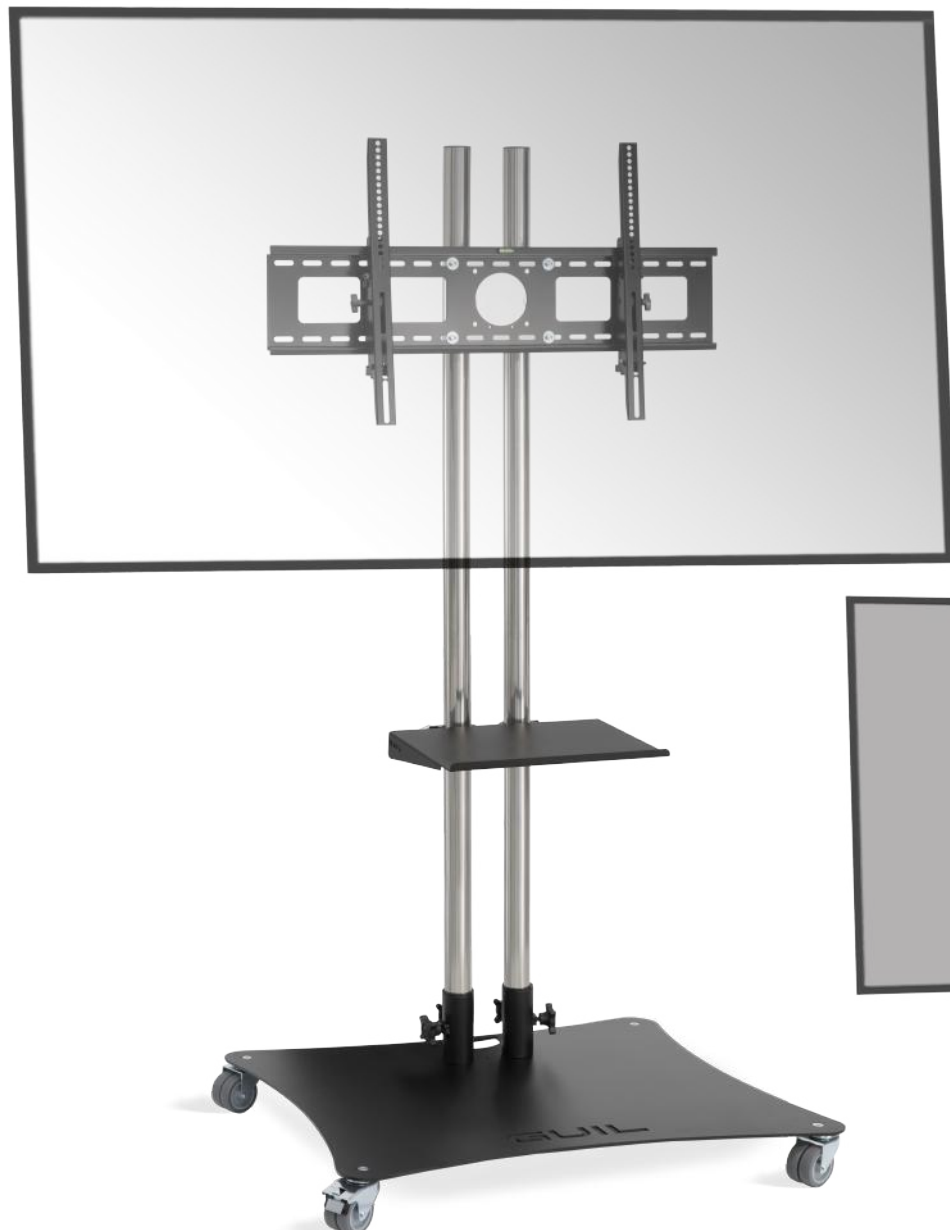
BLACK COLOUR

SPECIFICATIONS PTR-08 | PTR-08/N

- ▶ Screen Size: **From 32" to 65"**
- ▶ VESA: **Max.: 800 x 500 mm**
- ▶ Load Capacity: **70 Kg**
- ▶ Overall Height: **220 cm**
- ▶ Double Wheels: **Ø 75 mm**
- ▶ Base: **65 x 50 cm (Height: 11 cm)**
- ▶ Net Weight: **30 kg**
- ▶ Tray Ref. PTR-B/2: **Included**
- ▶ Material: **Stainless steel (masts), steel (screen mount, shelf & base) & aluminium (couplers)**



Professional mobile stand to display TV screens from 32 to 80 inches with a maximum weight of 70 Kg. Fits any screen with VESA standard hole size: max 800 x 500 mm. Our mobile TV trolley for plasma screens, LCD and LED screens is adjustable in height and includes a tilting mount and an auxiliary tray for holding AV equipment.



FOR SCREENS
From 32" to 80"



PTR-08G/N

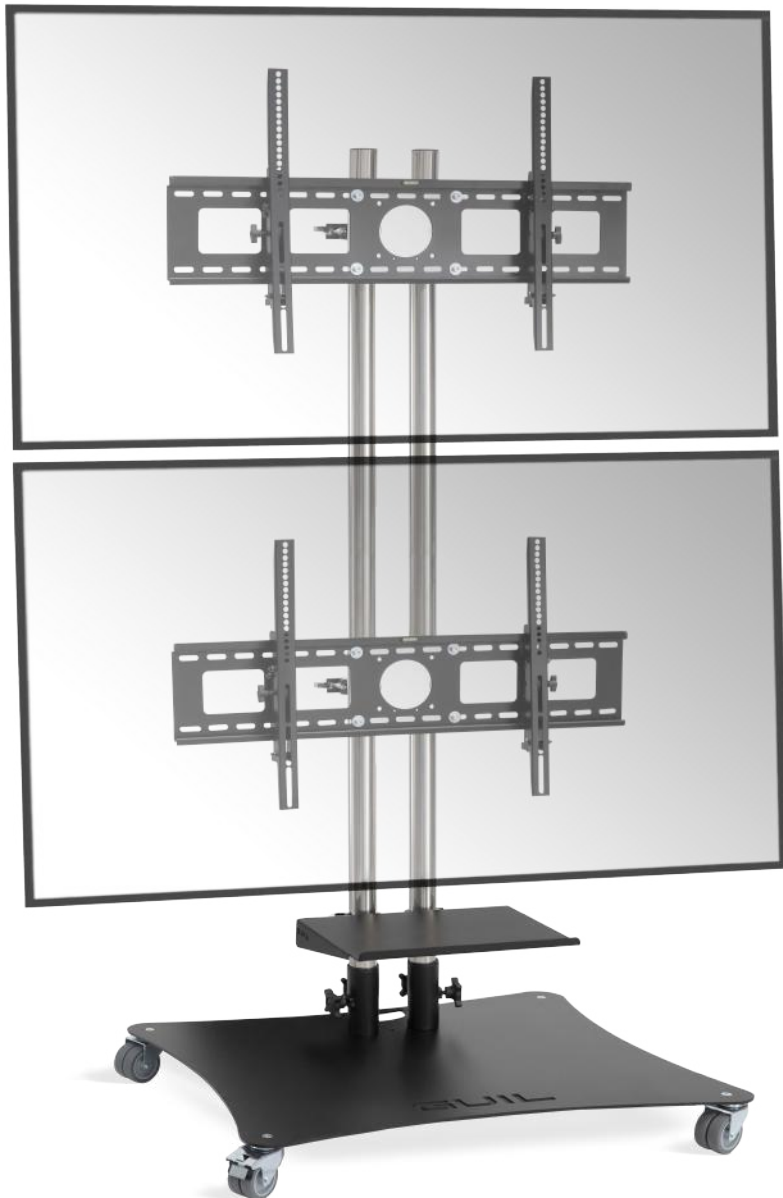
BLACK COLOUR

SPECIFICATIONS PTR-08G | PTR-08G/N

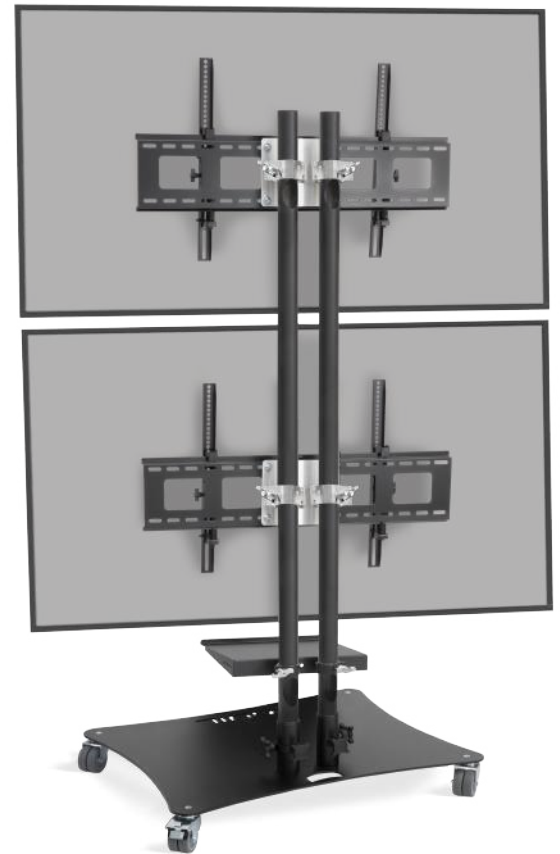
- ▶ Screen Size: **From 32" to 80"**
- ▶ VESA: **Max.: 800 x 500 mm**
- ▶ Load Capacity: **70 Kg**
- ▶ Overall Height: **220 cm**
- ▶ Double Wheels: **Ø 75 mm**
- ▶ Base: **80 x 64 cm (Height: 11 cm)**
- ▶ Net Weight: **39 kg**
- ▶ Tray Ref. PTR-B/2: **Incluida**
- ▶ Material: **Stainless steel (masts), steel (screen mount, shelf & base) & aluminium (couplers)**



Professional mobile stand to display two TV screens from 32 to 65 inches. Fits any screen with VESA standard hole size: max 800 x 500 mm. Our dual TV trolley for plasma screens, LCD and LED screens is **adjustable in height and includes two tilting mounts and an auxiliary tray** for holding AV equipment, becoming the perfect solution for video conferencing applications.



FOR 2 SCREENS
From 32" to 65"



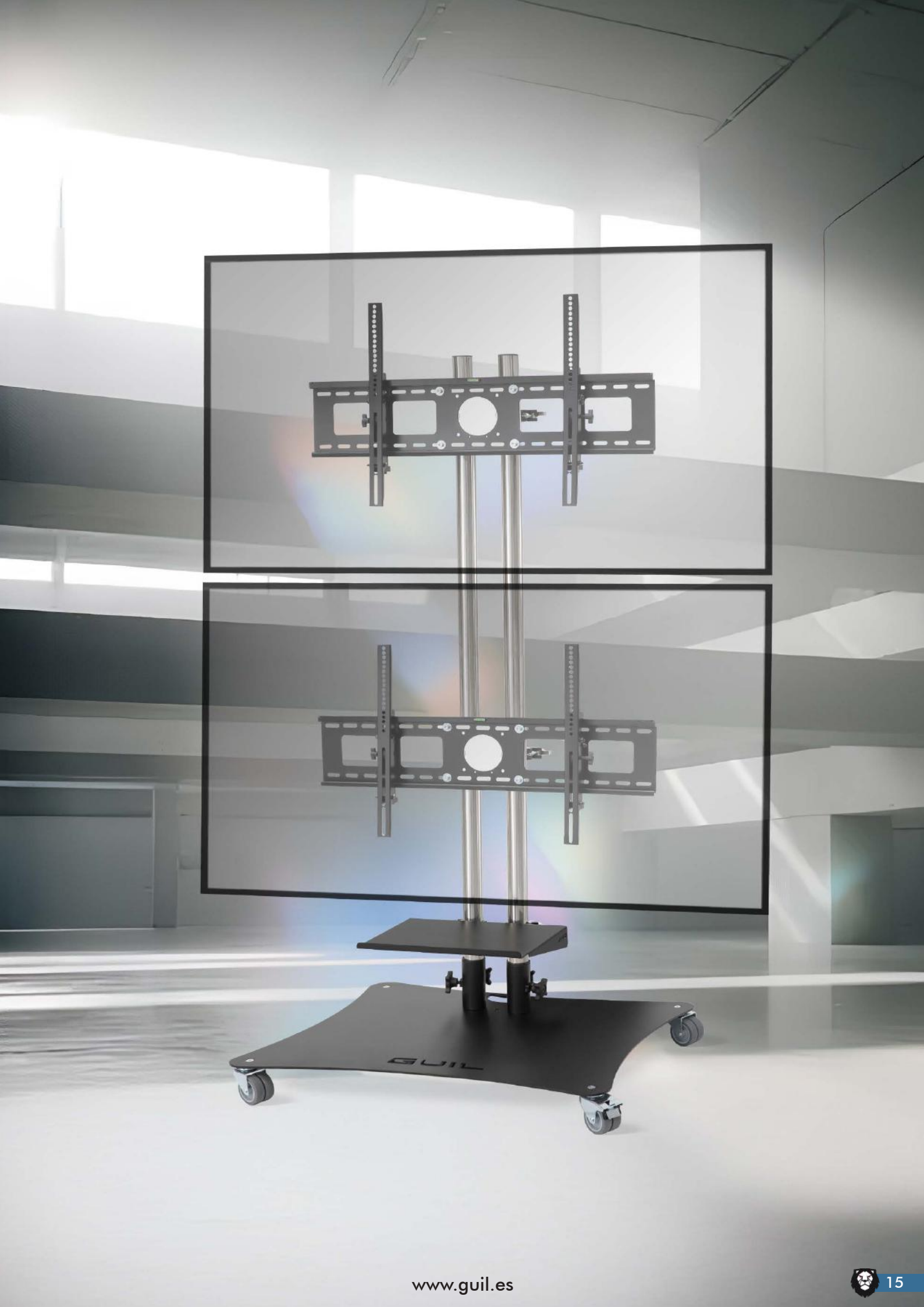
PTR-08/2C/N

BLACK COLOUR

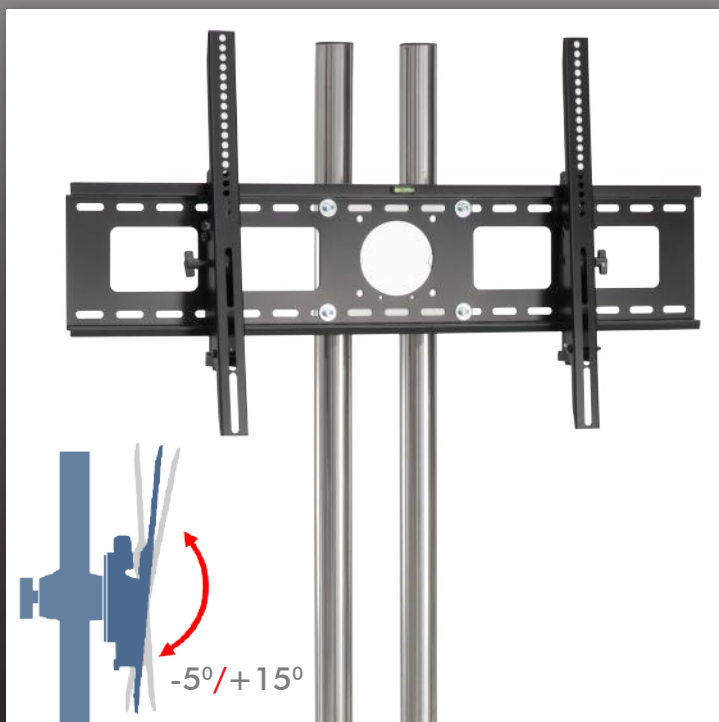
SPECIFICATIONS PTR-08/2C | PTR-08/2C/N

- ▶ Screen Size: **From 32" to 65"**
- ▶ VESA: **Max.: 800 x 500 mm**
- ▶ Load Capacity: **70 Kg**
- ▶ Overall Height: **220 cm**
- ▶ Double Wheels: **Ø 75 mm**
- ▶ Base: **80 x 64 cm (Height: 11 cm)**
- ▶ Net Weight: **43,5 kg**
- ▶ Tray Ref. PTR-B/2: **Included**
- ▶ Material: **Stainless steel (masts), steel (screen mounts, shelf & base) & aluminium (couplers)**



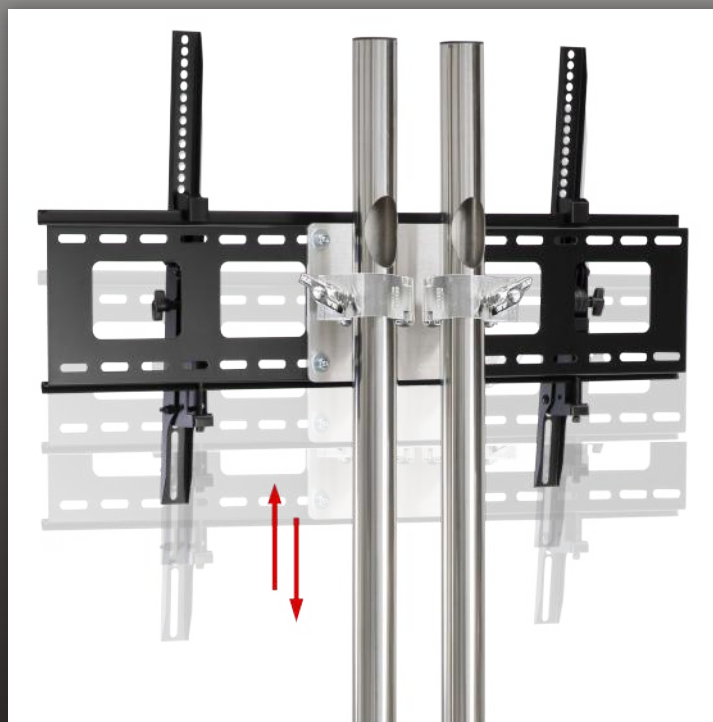


TILTING MOUNT



It allows the screen to be positioned upright or tilted up to 15° to provide the optimum viewing angle and ensure perfect visibility.

ADJUSTABLE IN HEIGHT



The height of the screen can be adjusted by sliding it up or down the stainless-steel masts and securing it at any height, using the aluminium couplers with safety catch and ergonomic knob.

AUXILIARY TRAY INCLUDED



The stand is equipped with an auxiliary tray measuring 40 x 30 cm (ref. PTR-B/2), ideal for placing DVD players, laptops, projectors or any other device.

The mobile tray is secured to the stand's masts using double aluminium clamps, allowing it to be positioned at any height along the masts.

SPIRIT LEVEL



The universal screen mount **incorporates a spirit level** for precise adjustment during installation.

CABLE MANAGEMENT



The stainless steel masts feature **integrated cable management** for the various devices.



HEAVY-DUTY BASE WITH WHEELS



Its reinforced base, made of a laser cut steel plate, is **provided with four non-marking double swivel castors (2 with brakes)**, which ensure safe and easy manoeuvrability. Note: The wheels can also be removed and the stand placed directly on the floor or as an alternative, user can order levelling feet.



DOUBLE WHEELS



EQUIPPED WITH HANDLE

PROJECTOR MOUNTS

PTR-14

CEILING OR WALL Mounting

Installation kit included



PTR-14/G

For safe attachment to TRUSS / TUBES

With an aluminium clamp

(ref. ABZ-24)

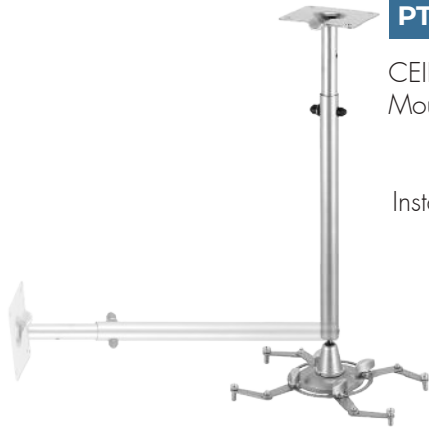
Installation kit included



PTR-15

CEILING OR WALL Mounting

Installation kit included



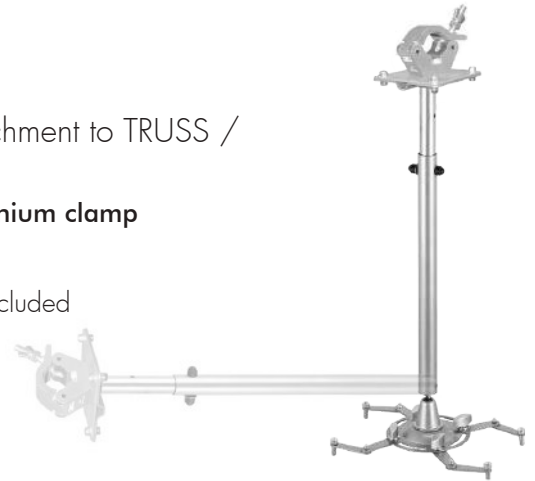
PTR-15/G

For safe attachment to TRUSS / TUBES

With an aluminium clamp

(ref. ABZ-24)

Installation kit included



WALL MOUNTS

PTR-06

Stand for TV

Its special adjusting system allows the LCD/TFT/LED screen to be set in multiple positions.



PTR-24

FOR TV SCREENS
From 14" to 42"

Angle adjustment: 15°



TABLET / MOBILE HOLDER

STB-01

TABLET HOLDER
It is angle and size adjustable

Fits onto mic. stands with
a 3/8" THREAD

Material: Aluminium



STB-02

MOBILE HOLDER
It is angle and size adjustable

Fits onto mic. stands with
a 3/8" THREAD

