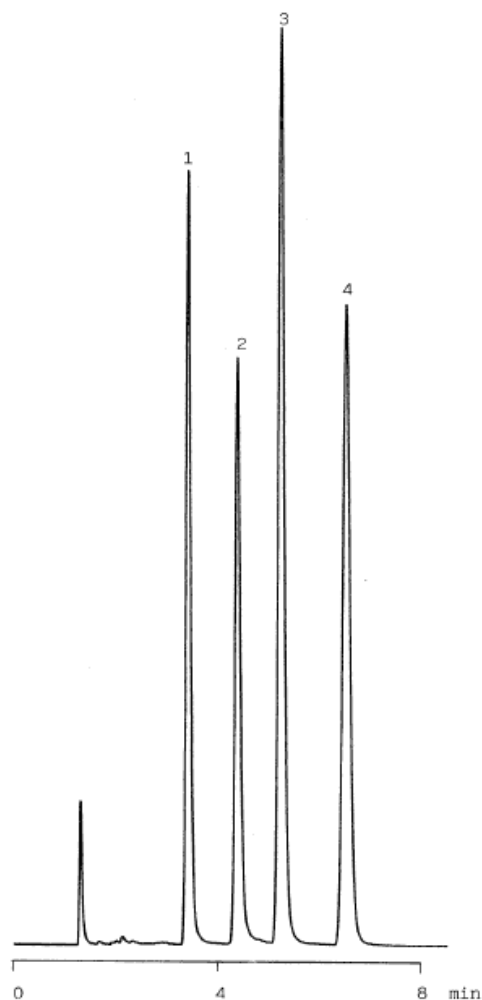


# InertSearch™ for LC

Inertsil® Applications

## Pesticides

Data No. LA275-0000



Column : Inertsil C4  
5 $\mu$ m  
150  $\times$  4.6mm I.D.

Column Cat. No. : 5020-01401

Eluent : THF/10mM KH<sub>2</sub>PO<sub>4</sub>+0.1% EDTA-2Na  
(pH 3.5 by H<sub>3</sub>PO<sub>4</sub>)=70/30

Flow rate : 1.0 mL/min.

Col. Temp. :

Detection : UV 254 nm

Injection Vol. :

Sample :

Solutes : 1. Asulam 130 $\mu$ g/mL  
2. Oxine-copper 40 $\mu$ g/mL  
3. Acetophenone 0.14 $\mu$ g/mL  
4. Thiuram 190 $\mu$ g/mL