

SUPERLOCK 2.0 CODE RAPIDRESET DOUBLE-SIDED



CODE: C

5-Year Warranty

Reversible Handing

Suitable for metal gate frames. For wooden gates, our surface-mounted option is available.

INCLUDED IN THE BOX

- 2.5mm hex key + 3mm hex key
- 2 x M8 fixing bolts
- Face plate
- Latchbolt
- Strike plate (2 x self-drilling fasteners)



Revolutionise gate security, update codes in seconds with secure, battery-free access control. Designed for ultimate convenience, this innovative lock lets you change codes in seconds while maintaining robust, secure functionality- all without the need for power or batteries.

Product code	Description
BDGRR1030	To fit 10-30mm (½" - 1 ¼") gate frames
BDGRR4060	To fit 40-60mm (1 ½" to 2 ¼") gate frames
Available in:	 Black RAL9005 Moss Green RAL6005

HELP & SUPPORT

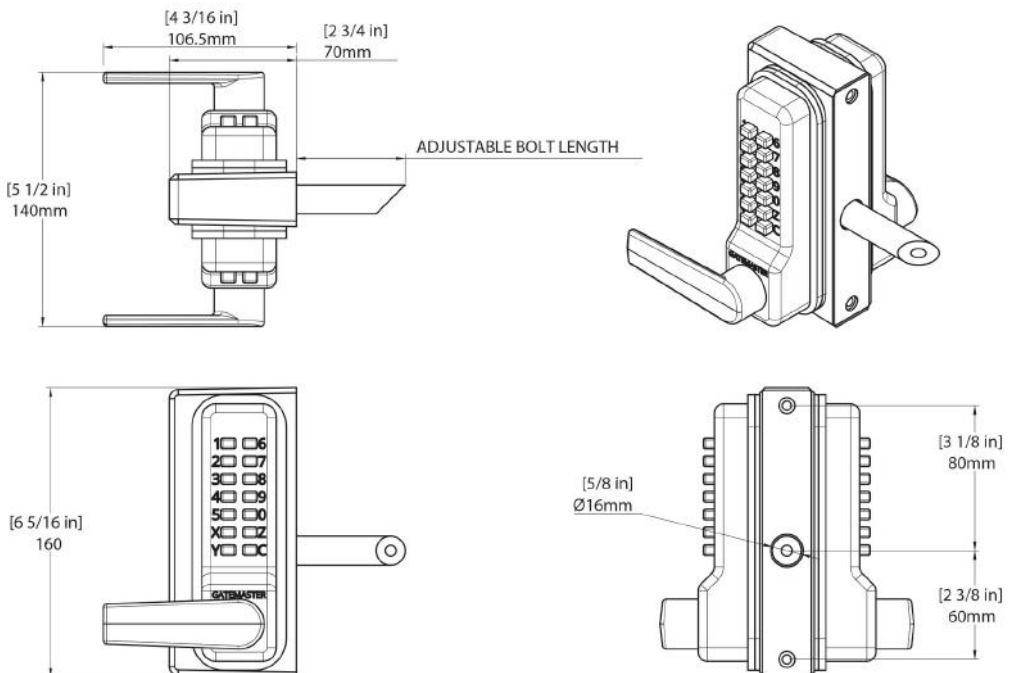
Need further assistance? Our customer support team can help with order queries, product identification, spare parts, warranty information and general after-care.

 UK: +44 1243 558580 US: +1 214 872 9687

 www.gatemasterlocks.com  support@gatemasterlocks.com

TECHNICAL SPECIFICATIONS

Lock type	Mechanical keypad gate lock
Keypad type	RapidReset double-sided
Handing	Reversible, supplied right-handed
Latchbolt throw	20mm (3/4")
Lock case width	70mm (2 3/4")
Fixing method	3-hole drilling. Bolt-on
Fixings included	Yes
Warranty	5 years
Compatible Keeps	BSK, BSKS, BSKG

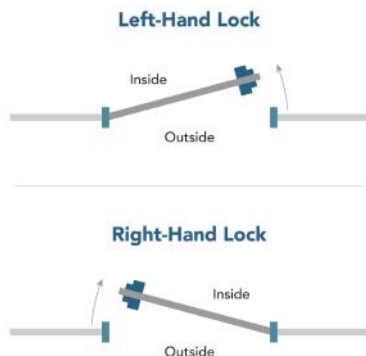


INSTALLATION INSTRUCTIONS

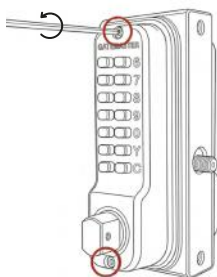
1. Check the gate handing. If left-hand is required, reverse the handing using the instructions below. For right-hand gates, go to step 2.
2. Drill 2 x 9mm (3/8") holes at 140mm (5 1/2") centres for fixing bolts provided.
3. Drill a 18mm (3/4") clearance hole for the latchbolt at 60mm (2 3/8") centres up from the bottom fixing hole.
4. Hold the lock against the back of the box section and screw on the latchbolt through the larger hole.
5. Lock the latchbolt with the hex key supplied by inserting the hex key into the end of the latchbolt.
6. Fix lock in place using the stainless steel bolt support plate and the countersunk screws provided. Ensure the latchbolt moves freely.
7. Fix strike plate by either welding or screw fixing onto the gate post.

HOW TO CHANGE HANDING FROM RIGHT TO LEFT HANDING

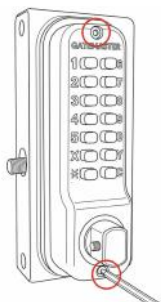
Handing refers to the side on which the gate is hinged. This determines whether the lock should be set for left-hand or right-hand installation. When standing outside the gate, if the hinges are on the left, the lock must be changed to left-hand setting.



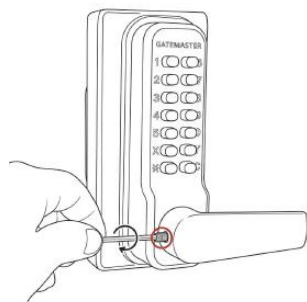
OUR LOCKS ARE SUPPLIED RIGHT-HANDED. IF A RIGHT-HANDED LOCK IS REQUIRED, SKIP THE STEPS BELOW AND CONTINUE WITH INSTALLATION.



1. Using the 3mm hex key, unscrew the two screws located at the top and bottom.



2. Remove and swap the keypads. Refit using the 3mm hex key, ensuring the flat spindle and rubber gaskets are in place.



3. Using the 2.5mm hex key, screw on the handles to face the opposite way to the latch. Make sure that the keypad with screws is located on the inside of the gate.

Check that the code and handle work correctly and then follow the instructions install the lock onto the gate.