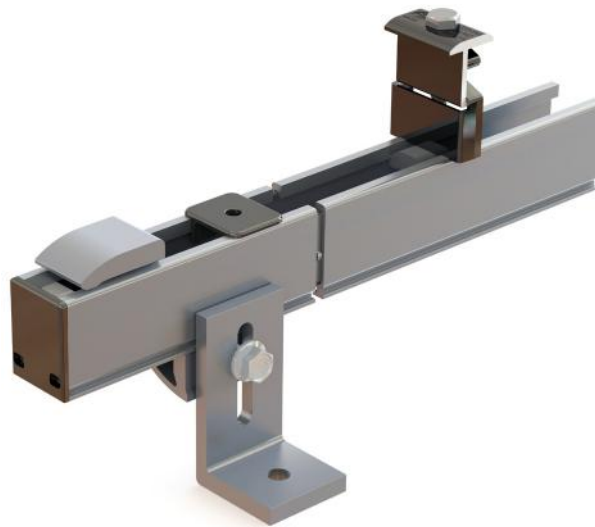


FLUSH MOUNT RAIL KIT FOUR 93-INCH RAILS

Save Time and Money

Attractive black rail mounting system provides easy installation, simple wire management, and great strength all in a single box



- Kit contains all parts required to mount 4 modules with widths of up to 46-inches in portrait orientation
- 1.6 or 2.3-inch rail height for spans up to 8 feet and wind speed up to 180 MPH
- Module clamps included in kits fit frame thickness of 30mm to 40mm; additional clamps available for modules with thicker frames
- UPS shippable

Best Wire Management - PV cables and wiring for module-level electronics fits inside rails to avoid time consuming wire management.

Use Any Roof Attachments - Included L-feet mount to Tamarack composition shingle flashings, S-5! metal roof clamps or any roof attachment that uses a 5/16 inch bolt.

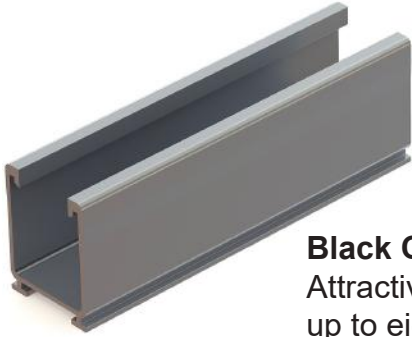
One Wrench Size - Install with ease and minimal tools. 1/2-inch socket fits all fasteners.

UL 2703 Listed - All components meet UL standards and have Class A Fire Rating for Type 1 and 2 modules.

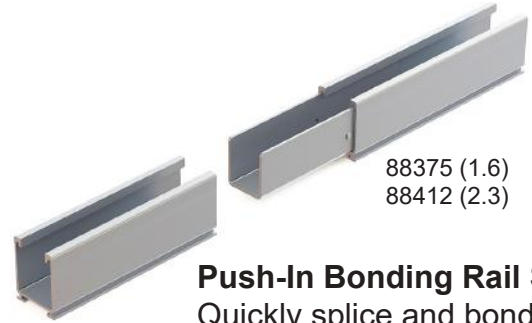
PE Certified - Pre-stamped engineering letters available for most states.

Tamarack Flush Mount 93-inch Rail Kit

Install Four PV Modules

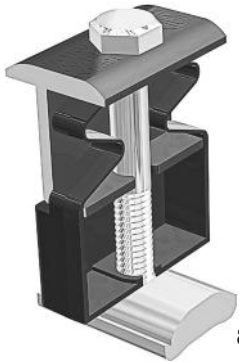


Black Coated Rails
Attractive low-profile mounting of up to eight modules with four-foot roof attachment spacing. Certified for up to 180 MPH wind speed and 120 PSF snow load. **Four 93-inch rails included. Two rail heights available - 1.6-inch or 2.3-inch.**



88375 (1.6)
88412 (2.3)

Push-In Bonding Rail Splice
Quickly splice and bond rail sections with no tools or fasteners. Top Clamps and Rail Mounts can be co-located with splice. **4 splices are included.**



88450

5050 Clamp
One clamp can be used as a mid-clamp or an end-clamp on modules with 30 mm to 40 mm frame height. **10 clamps included.**



89792 &
90026

Rail Mount and L-Foot
Quickly and securely mount the rail from either side, to Tamarack composition shingle flashings, S-5! metal roof clamps or any roof attachment that uses a 5/16 inch bolt. **8 mounts and L-feet included.**



88474

Wire Management Clip
Clips can be pushed into top of rail to keep cables in place. **12 clips included.**



88504

Ground Lug
Use one per module row to ground rail with bare 6 to 10 AWG copper wire. **2 Ground Lugs included.**



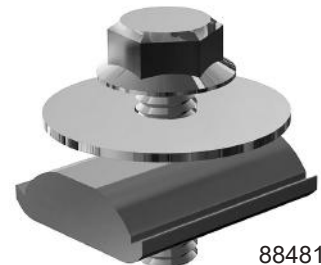
88467

Channel End Clamp
This end clamp replaces the 50/50 clamp at the end of the row of modules for better aesthetics. It is your choice which part to use. **4 clamps included.**



88382 (1.6)
88429 (2.3)

Push-On End Cap
Caps give the rail system a finished look while allowing drainage. **4 caps included.**



88481

MLPE Adapter
Use this adapter for mounting microinverters and optimizers on the rails under the modules. Use one adapter for each device. **6 adapters included.**