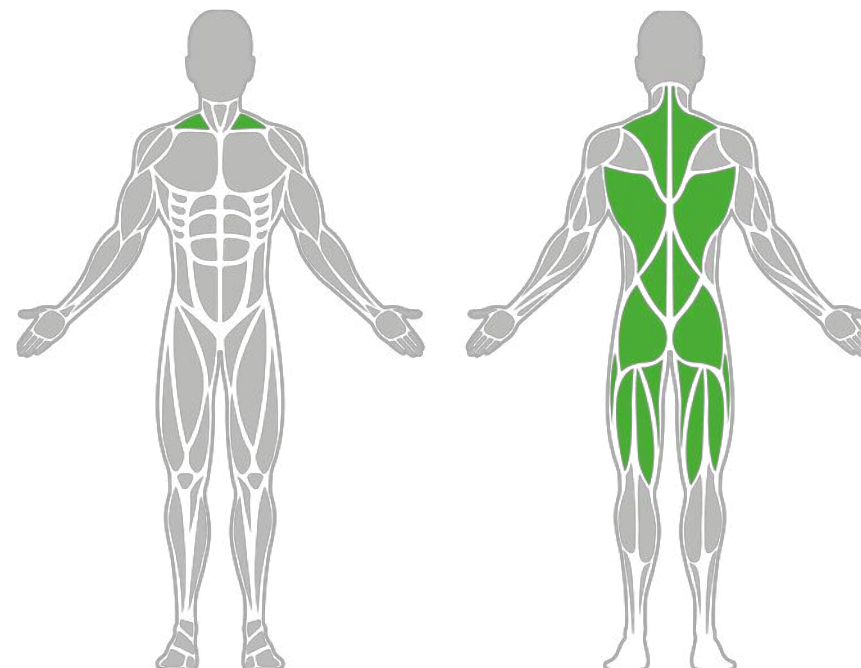




## Muscle Groups Focus



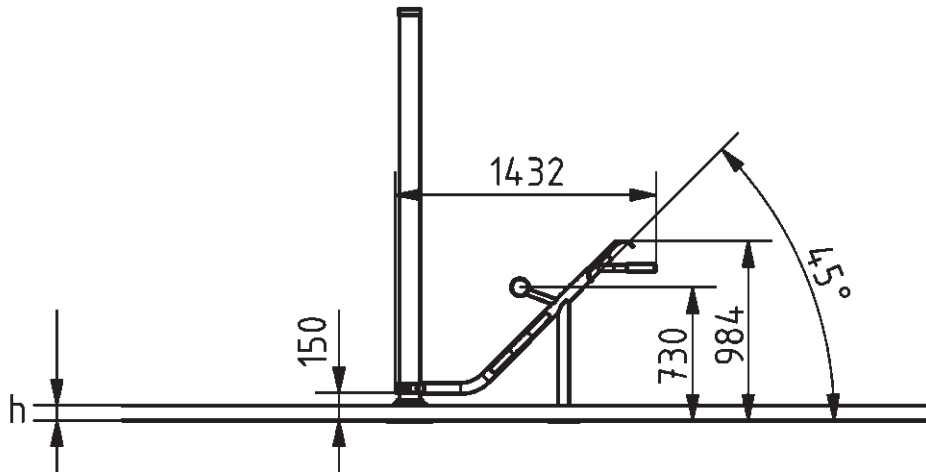
### Hyperbending Bench

The Hyperbending Bench is a thoughtfully designed piece of outdoor fitness equipment, aimed at enhancing core and back muscle strength. Directly connected to a pillar through a sturdy clamp, its compact design ensures it doesn't occupy excessive space. To accommodate users of different heights, the bench features multiple leg rests placed in various positions. This efficient and space-saving solution is ideal for those looking to integrate effective core exercises into their outdoor routines.

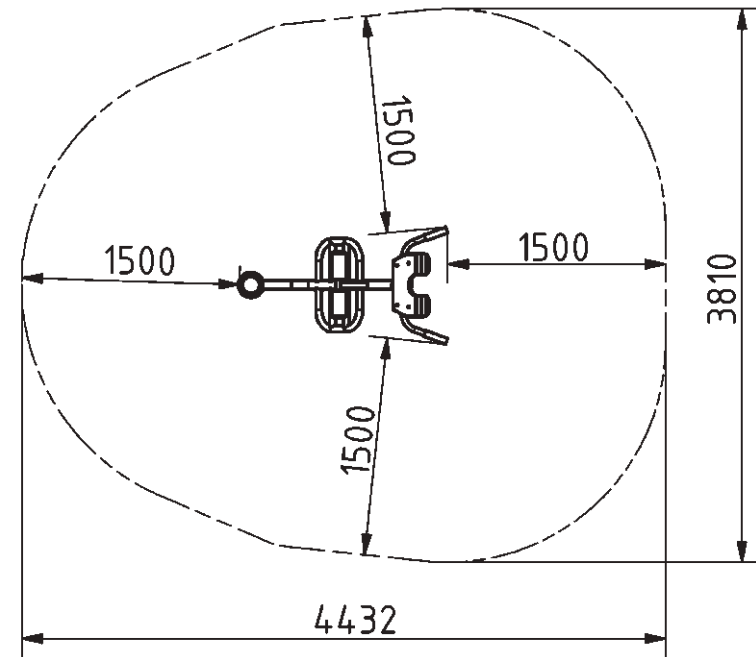
### Attributes

Product code	1-1-167
Certificate	EN 16630
Age group	14 + years
Capacity	1 person
Max. weight load	99 kg
Type	Fitness
Difficulty level	Medium

### Side View



### Plan View



## Installation information

Number of installers (concrete)	At least 2 people
Total installation time (concrete)	25-45 min.
Number of installers (equipment)	At least 2 people
Total installation time (equipment)	10-15 min.
Excavation volume	0.2 m <sup>3</sup>
Concrete volume	0.2 m <sup>3</sup>
Size of the base structure	0,5 x 0,5 x 0,8 m
Anchoring options	In-ground or surface
In combined structures, the volume of concrete required varies.	

## Technical specification

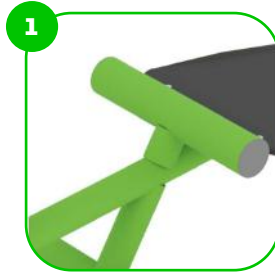
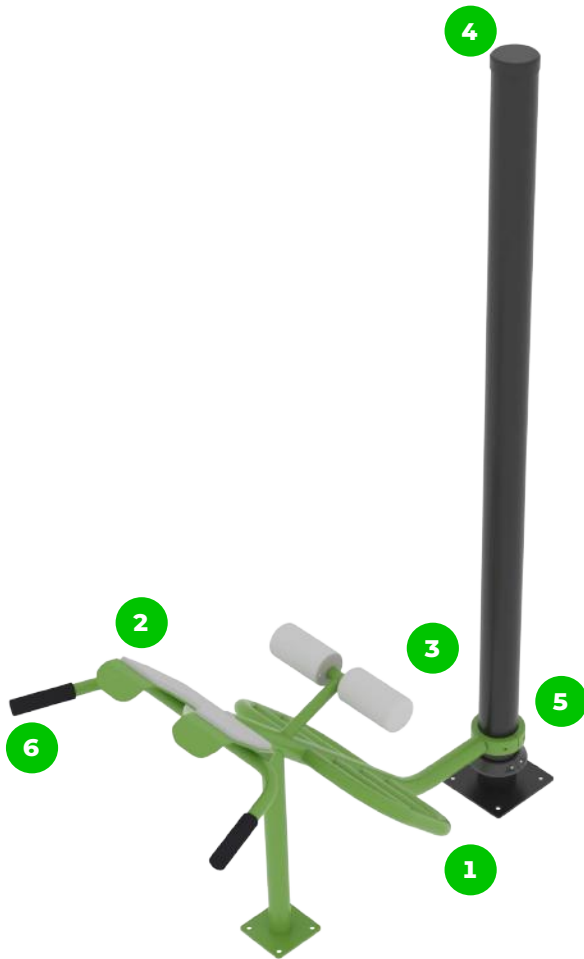
Safety surface area	Around 1,5 m radius
Net weight	35 kg
Material	S235
Critic fall height	600 mm
Color options	<span style="color: green;">●</span> <span style="color: black;">●</span> <span style="color: red;">●</span> <span style="color: grey;">●</span> <span style="color: yellow;">●</span> <span style="color: blue;">●</span>

For more color options, discuss with your sales representative.

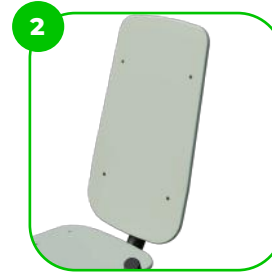
## Warranty

Structure	25-15 years
Steel	5-10 years
Paint	2 years
Plastic	5-10 years
Rubber	1-3 years
Moving parts	2 years
Detailed information in the warranty document	

# Material specification



The element is made of high quality S235 steel, which has been cleaned via sandblasting. A corrosion resistant powder coating finish is then applied. Also available with galvanized surface for even greater protection and longevity!



The seats and backrests are made of strong HDPE material. Which is fully heat, moisture and UV resistant.



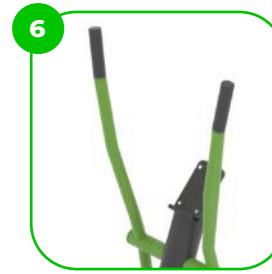
The connecting elements are fastened with vandal-proof stainless steel screws and nuts.



The ends of the bars and posts are sealed with injection-moulded plastic caps.



The clamp system allows for easy assembly and extreme stability.



At the end of the arms, the handle is rubber-coated for a more comfortable and secure grip.

# BESTRONG

 [bestrongworld](#)  [bestrongworld](#)  [global.bestrong.com](#)  [info@bestrong.com](#)

