

Grow With Us.



2025 collection



Changing the Nature of Gardening

Developed and proven by farming experts, the patented EarthBox® gardening system has become legendary for its ability to outperform and out-produce other gardening methods. Growing healthy and nutritious vegetables, herbs, and fruit has never been easier! Great results, no matter what.

How It Works:

1 PLANT FOOD/FERTILIZER

Using a dry, granular fertilizer with N-P-K between 5-15 provides plants with essential nutrients—giving them exactly what they need, when they need it. Single application means no feeding schedule, no guessing.

2 DOLOMITE

Provides essential trace elements to support overall plant health and maintain pH. With an even blend of calcium and magnesium, dolomite also helps prevent Blossom End Rot (BER) on tomatoes and other fruit.

3 GROWING MEDIA *SOLD SEPARATELY*

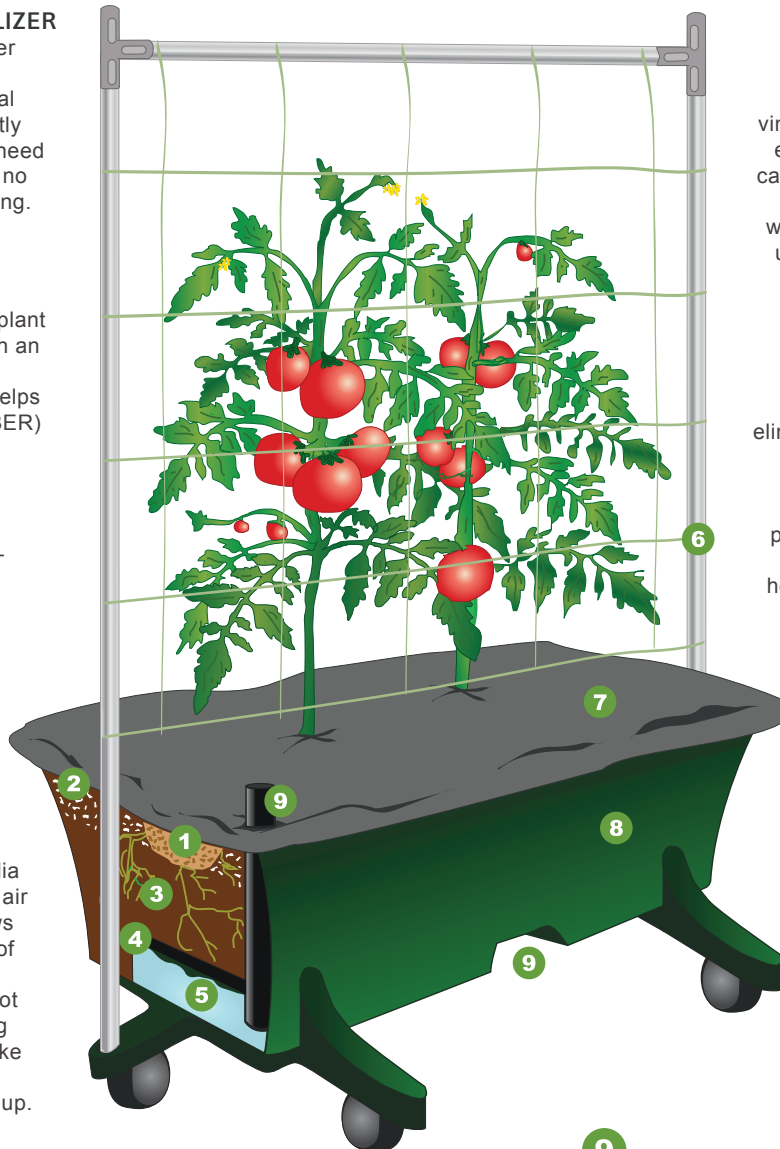
By using a high quality peat-based growing media, poor soil conditions and soil-borne disease are eliminated. Acting as a wick, along with plants' thirsty roots, peat allows an ideal amount of moisture to be absorbed from the bottom up.

4 AERATION SCREEN & WICKING CHAMBERS

Separating the growing media from the water reservoir, an air pocket between layers allows oxygen to access the roots of plants via small holes in the screen—which prevent root rot and mold. Integrated wicking allows growing media to make contact with the reservoir to draw water from the bottom up.

5 WATER RESERVOIR

Holds nearly 3 gallons, allowing thirsty plants to draw water naturally through capillary action.



6 OPTIONAL 5-FT. STAKING SYSTEM *SOLD SEPARATELY*

The perfect solution for tall or vining plants! The Staking System eliminates the need for awkward cages or trellises, and is designed to provide stability and support while maintaining mobility. Allows unruly crops to be kept neat and tidy, and for sprawling plants to grow vertically.

7 MULCH COVER

Creates an ideal growing environment for plants, and eliminates the need for herbicides. Stops weeds from transplanting and using up plants' resources. Protects from rain or drought by washing away during periods of heavy rain, and conserving water by minimizing evaporation. Reversible sides can be used in any climate: Black side helps stimulate growth, while the white side helps protect young seedlings from heat.

8 SUSTAINABLE & BUILT TO LAST

Just add optional casters to the bottom of the system to put your garden on the move for easy portability. Food-safe, BPA-free, recyclable resin is UV-stabilized to last for years in direct sun. Reuse the same system again each growing season just by adding new fertilizer, dolomite, mulch cover, and plants.

9 WATER FILL TUBE & OVERFLOW DRAIN

Easily add water to the reservoir through the fill tube. You'll know it's full when excess water flows from the overflow drain, making it impossible to overwater your garden.

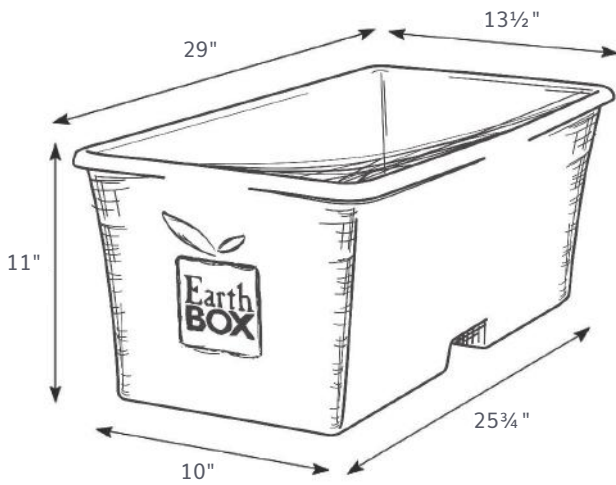


Grow With Us

For more than 35 years, EarthBox® has been a top performer in a popular category – container vegetable gardening – making it a natural fit for your store. This line of container gardening systems and accessories has something for everyone, and is sure to be a continued success!

EarthBox® Original Garden Kit

The maintenance-free, patented EarthBox® gardening system controls soil conditions, eliminates guesswork, and more-than-doubles the yield of a conventional garden—with less fertilizer, less water, and virtually no effort!



SOIL CAP. 2.0 CU. FT. | WATER RES. CAP. 3 GAL.

Each Kit Includes:

- 4-PIECE GARDENING SYSTEM (EARTHBOX® ORIGINAL CONTAINER, AERATION SCREEN, WATER FILL TUBE, 2 B/W REVERSIBLE MULCH COVERS)
- 1 LB. FERTILIZER (STANDARD 7-7-7 OR NATURAL 8-3-5)
- 1 LB. NATURAL DOLOMITE
- 4 CASTERS



PRODUCT

	CASE	GREEN	TERRA	SAGE
EARTHBOX ORIGINAL GARDEN KIT - STANDARD 7-7-7	4	80101	80105	80100
EARTHBOX ORIGINAL GARDEN KIT - NATURAL 8-3-5	4	80151	80155	80150



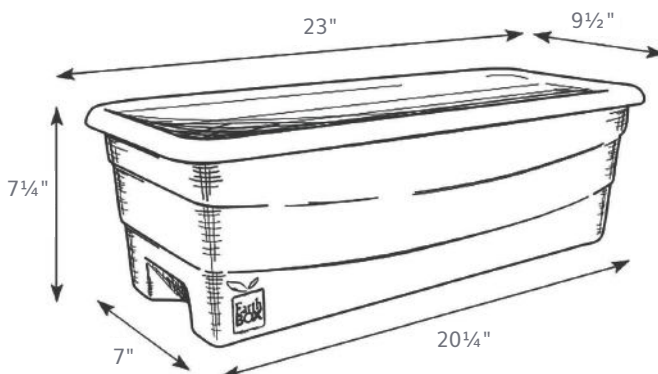


EarthBox® Junior™ Garden Kit

Just like the EarthBox® Original gardening system, with the same smart technology, but half the size! Ideal for growing strawberries, herbs, and lettuces.

Each Kit Includes:

- 4-PIECE GARDENING SYSTEM (EARTHBOX® JUNIOR™ CONTAINER, AERATION SCREEN, WATER FILL TUBE, 2 B/W REVERSIBLE MULCH COVERS)
- ½ LB. FERTILIZER (NATURAL 8-3-5 ONLY)
- ½ LB. NATURAL DOLOMITE
- OVERFLOW SAUCER



SOIL CAP. 1.0 CU. FT. | WATER RES. CAP. 1.15 GAL.



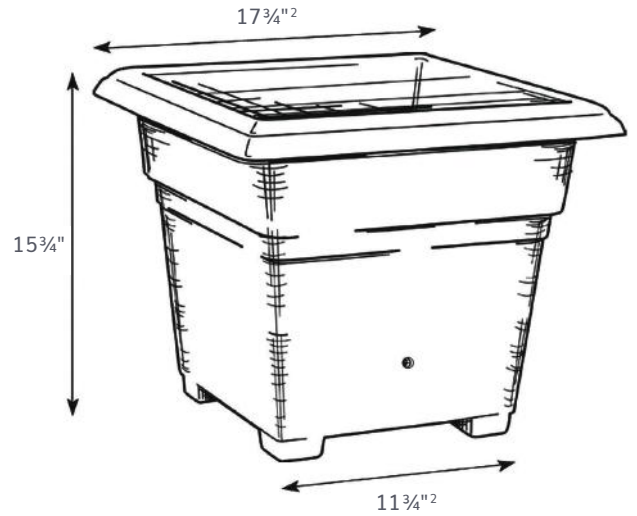
PRODUCT	CASE	GREEN	TERRA	MIXED
EARTHBOX JUNIOR GARDEN KIT - NATURAL	6	80651	80655	80658
MIXED CONTAINS 2 EA. GREEN, TERRACOTTA, AND SAGE				

EarthBox® Root & Veg™ Garden Kit

Grow larger and longer root crops such as carrots, rutabagas, and parsnips – or just a single tomato or eggplant!

Each Kit Includes:

- 4-PIECE GARDENING SYSTEM (EARTHBOX® ROOT & VEG™ CONTAINER, AERATION SCREEN, WATER FILL TUBE, 2 B/W REVERSIBLE MULCH COVERS)
- 1 LB. FERTILIZER (STANDARD 7-7-7 OR NATURAL 8-3-5)
- 1 LB. NATURAL DOLOMITE



SOIL CAP. 2.0 CU. FT. | WATER RES. CAP. 2 GAL.

PRODUCT	CASE	GREEN	TERRA	SAGE
EARTHBOX ROOT & VEG GARDEN KIT - STANDARD 7-7-7	4	81701	81705	81700
EARTHBOX ROOT & VEG GARDEN KIT - NATURAL 8-3-5	4	81751	81755	81750



EarthBox® Pallets

Colorful pallets of the EarthBox® Original Garden Kit are perfect for any store setting.



EarthBox® 12/pack Starter Pallet

	CASE	GREEN	TERRA	MIXED
EARTHBOX ORIGINAL GARDEN KIT - STANDARD 7-7-7	12	80101.12	80105.12	80107.12
EARTHBOX ORIGINAL GARDEN KIT - NATURAL 8-3-5	12	80151.12	80155.12	80157.12

30" x 40" | SHIP WT. 150 LBS.



MIXED CONTAINS 4 EA. GREEN, TERRACOTTA, AND SAGE

EarthBox® 36/pack Mini Pallet

	CASE	GREEN	TERRA
EARTHBOX ORIGINAL GARDEN KIT - STANDARD 7-7-7	36	80101.36	80105.36
EARTHBOX ORIGINAL GARDEN KIT - NATURAL 8-3-5	36	80151.36	80155.36

30" x 40" | SHIP WT. 330 LBS.

EarthBox® Replant Kits & Replacement Parts

Replant Kits and replacement parts allow your customers to continue enjoying their EarthBox® gardens each year by providing essential nutrients and components.

Each Replant Kit Includes:

- 1 LB. FERTILIZER (STANDARD 7-7-7 OR NATURAL 8-3-5)
 - 1 LB. NATURAL DOLOMITE
 - 2 B/W MULCH COVERS
- (JUNIOR REPLANT KIT CONTAINS ½ LB. EACH FERTILIZER & DOLOMITE)

PRODUCT	CASE	STANDARD	
		7-7-7	NATURAL 8-3-5
EARTHBOX ORIGINAL REPLANT KIT	12	81100	81101
EARTHBOX JUNIOR REPLANT KIT	6	—	81112
EARTHBOX ROOT&VEG REPLANT KIT	6	81108	81109



8" L x 4" W x 9½" H



8¼" L x 3½" W x 6½" H



8" L x 4" W x 9½" H

EarthBox® B/W Mulch Kits (2 ea./pack)

PRODUCT	CASE	ITEM #
EARTHBOX ORIGINAL B/W MULCH KIT	12	81121
EARTHBOX JUNIOR B/W MULCH KIT	6	81125
EARTHBOX ROOT&VEG B/W MULCH KIT	6	81129



5" L x 2" W x 6½" H



EarthBox® Trellis Net

PRODUCT	CASE	ITEM #
EARTHBOX TRELLIS NET	6	81075

(REPLACEMENT NET FOR STAKING SYSTEM)

EarthBox® Garden Stand and Staking System

The EarthBox® gardening system isn't complete without these popular accessory items.

Each EarthBox® Garden Stand Includes:

- 2 SHORT FRAME PIECES
- 2 TALL FRAME PIECES
- 8 BOLTS
- 8 CAP NUTS
- 16 WASHERS



28¾" L x 13½" W x 27" H

PRODUCT	CASE	ITEM #
EARTHBOX GARDEN STAND	1	81201



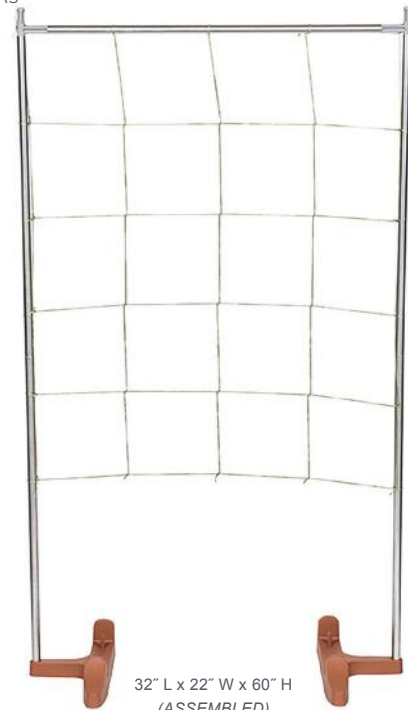
*****CASTERS NOT INCLUDED*****

CASTERS IN EACH EARTHBOX® GARDEN KIT ARE COMPATIBLE WITH THE GARDEN STAND.



Each EarthBox® 5' Staking System Includes:

- 2 OUTRIGGER FEET (CHOOSE COLOR)
- 5 ALUMINUM POLES (3 STANDARD, 2 W/ CRIMPED ENDS)
- 2 RIM CLAMPS W/ HARDWARE
- 2 T-CONNECTORS
- 1 TRELLIS NET
- 1 SET OF 2 CASTERS



32" L x 22" W x 60" H
(ASSEMBLED)

PRODUCT	CASE	GREEN	TERRA	SAGE
EARTHBOX 5' STAKING SYSTEM	4	81011	81015	81010








NOVELTY
MANUFACTURING CO.



EarthBox.com | 1.800.4GARDEN (442.7336)
© 2024 Novelty Manufacturing Co.
1330 Loop Road, Lancaster, PA 17601-3116
Tel: 717.392.1128 | NoveltyMfg.com

 /earthbox
 /EarthBox
 /EarthBox

