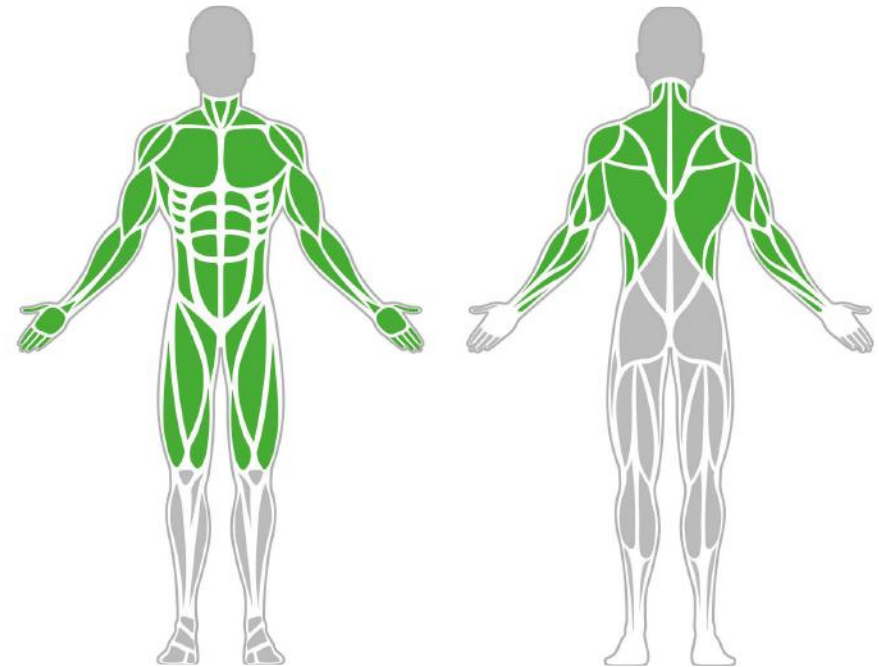


## Muscle Groups Focus



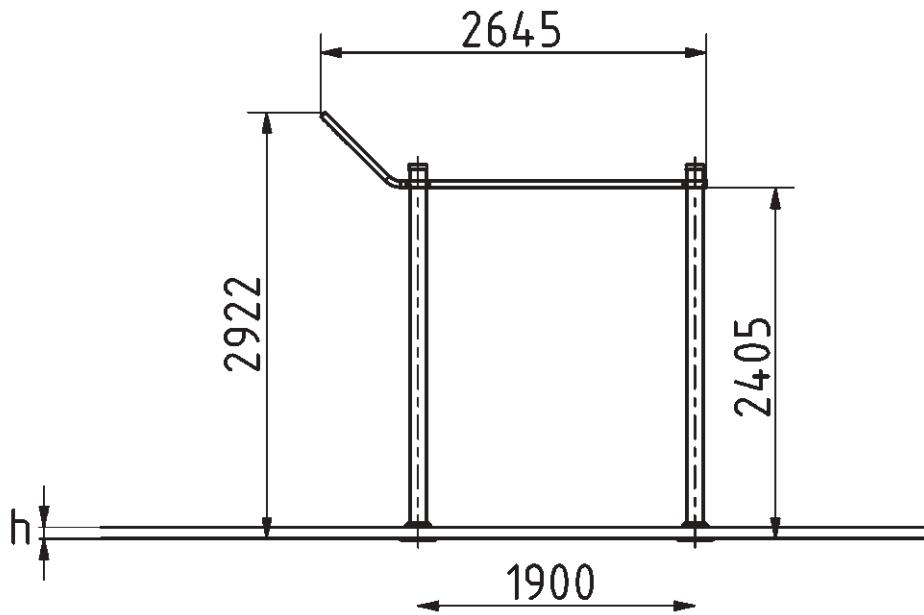
### Combined Ladder

Merging the Street Workout Ladder and Monkey Ladder, the Combined Ladder offers a versatile suspension training experience. Designed for dynamic hanging and strengthening the entire body's musculature, it provides unparalleled freedom of movement. This innovative equipment elevates any outdoor workout, blending challenge, variety, and enjoyment in one compact design, making it an essential addition to any Fitness Park or outdoor gym.

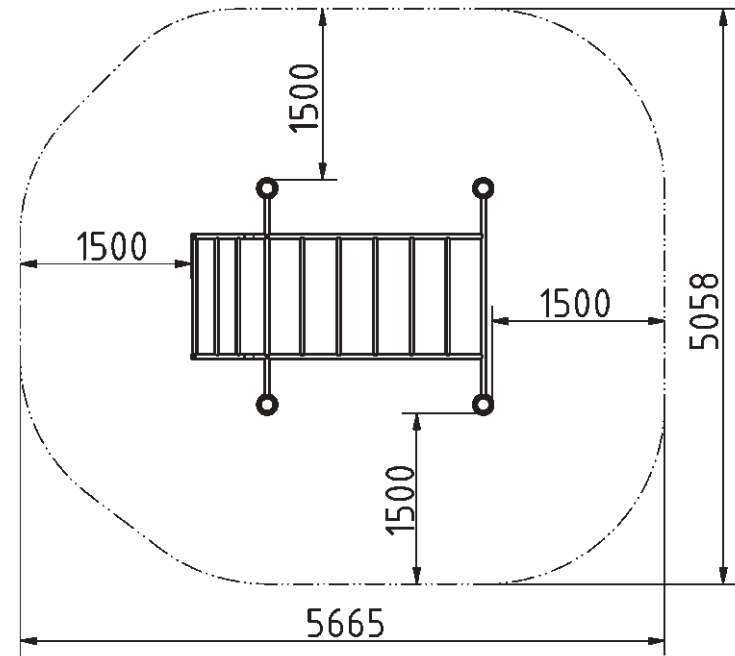
### Attributes

Product code	1-1-065
Certificate	EN 16630
Age group	14 + years
Capacity	2 people
Max. weight load	99 kg
Type	Calisthenics
Difficulty level	Hard

### Side View




### Plan View



## Installation information

Number of installers (concrete)	At least 2 people
Total installation time (concrete)	60-120 min.
Number of installers (equipment)	At least 2 people
Total installation time (equipment)	30-60 min.
Excavation volume	0.8 m <sup>3</sup>
Concrete volume	0.8 m <sup>3</sup>
Size of the base structure	4 pc 0.5 x 0.5 x 0.8 m
Anchoring options	In-ground or surface
In combined structures, the volume of concrete required varies.	

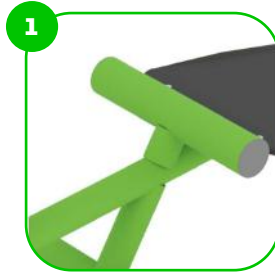
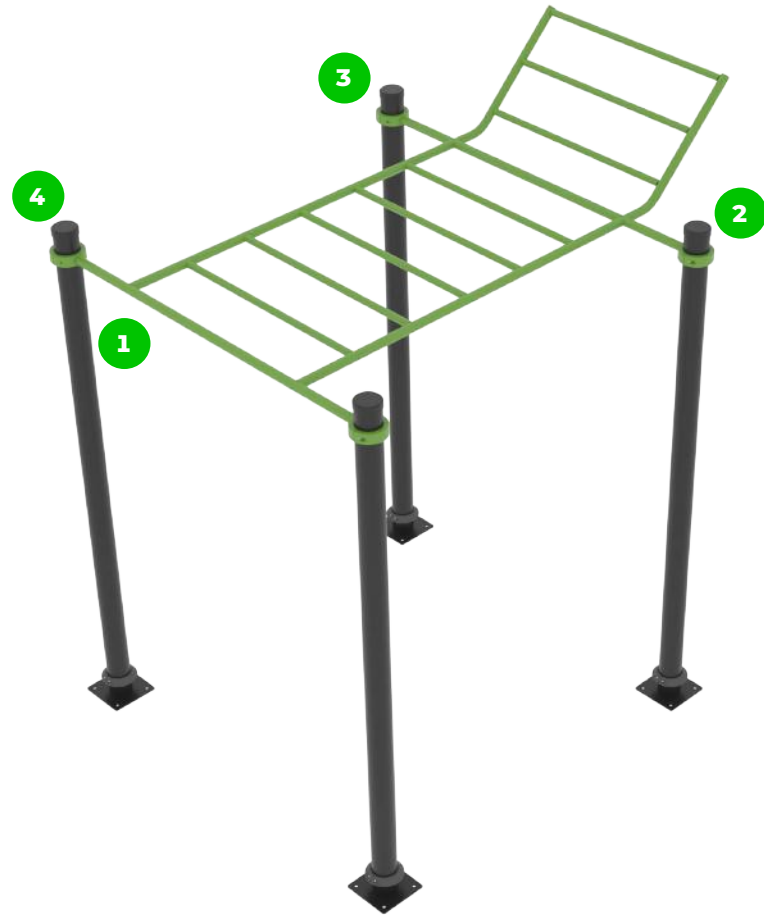
## Technical specification

Safety surface area	Around 1,5 m radius
Net weight	64 kg
Material	S235
Critic fall height	1800 mm
Color options	
For more color options, discuss with your sales representative.	

## Warranty

Structure	25-15 years
Steel	5-10 years
Paint	2 years
Plastic	5-10 years
Rubber	1-3 years
Moving parts	2 years
Detailed information in the warranty document	

# Material specification



The element is made of high quality S235 steel, which has been cleaned via sandblasting. A corrosion resistant powder coating finish is then applied. Also available with galvanized surface for even greater protection and longevity!



The clamp system allows for easy assembly and extreme stability.



The connecting elements are fastened with vandal-proof stainless steel screws and nuts.



The ends of the bars and posts are sealed with injection-moulded plastic caps.

# BESTRONG

 [bestrongworld](#)  [bestrongworld](#)  [global.bestrong.com](#)  [info@bestrong.com](#)

