

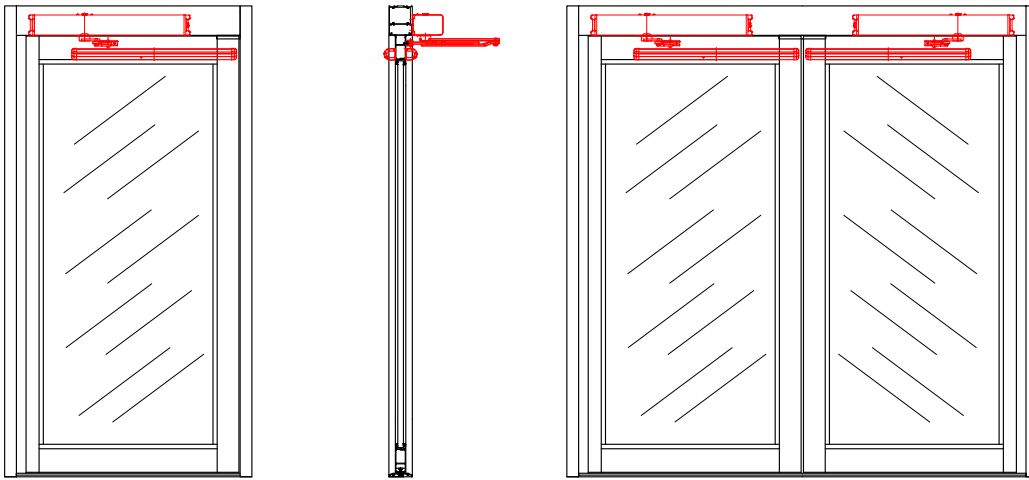
AUTOMATIC DOORS



Prosale



A versatile operator for all your requirements. The Proswing is as comfortable on internal doors (where silence and ease of use are most important) as it is on a large external door (where durability is key). The Proswing range has been developed by Prosale to ensure a robust and reliable operator, that has the aesthetics that wouldn't look out of place internally. Able to work as a pair in tandem or coping with rebated doors isn't a problem with the extensive programming available. The Proswing range has everything covered.



BODY FINISH

Satin Anodised Aluminium
black end caps

DIMENSIONS

Height: 86mm
Length: 664mm
Depth: 130mm

NUMBER OF DOOR LEAVES

1 Leaf / 2 Leaves

OPENING DIRECTION

In or Out

LEAF DIMENSIONS

700mm – 1400mm

MAX PAYLOAD

300 KGS

WEIGHT

12 KGS

POWER SUPPLY

13 AMP switched
fused spur

POWER USAGE

85 Watts

OPENING ANGLE

Up to 110 degrees

ELECTRIC LOCK POWER OUTPUT

12V or 24V

SPRING TENSION

EN4 – EN6

OPTIONS

FEATURES



PROSWING SB

Has the same functions as the Proswing S, but includes a battery back up, this does increase the width of the operator by 150mm.



PROSWING F

We have adapted the Proswing S operator to have a fire certificate rating of 30/30 and tested in the UK.



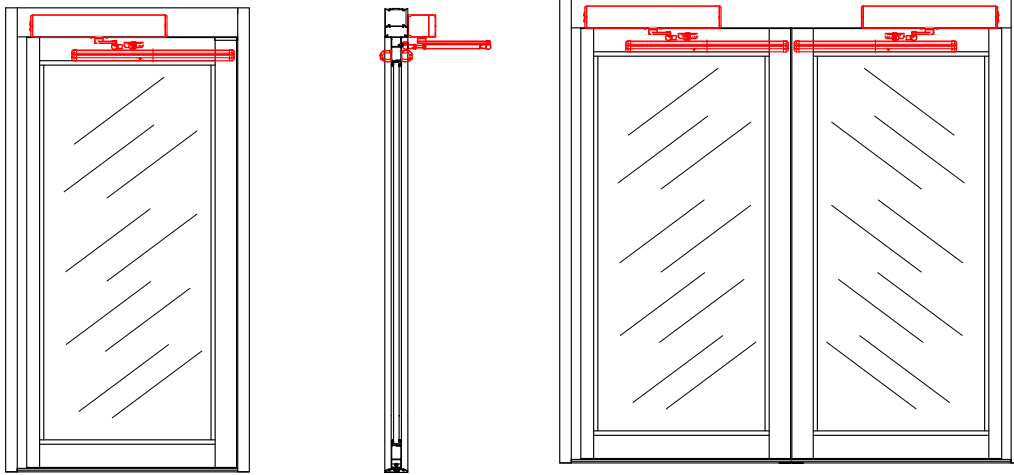
PROSWING M

The Proswing M is ideal for when you want the door to remain open in a power failure, as the operator is motor open, motor close (no spring).

- Heavy Duty
- Low Energy/Push & Go mode
- Reduced speed and acceleration for users with limited and slow reaction capabilities, according to specific regulations and directives
- Optional opening with remote control
- Compatible with different opening, safety and security devices
- Head fitted switch, ON/OFF
- Head fitted 3 position logic switch
- Easy and intuitive parameter adjustment with double display on control board
- Works with different models of electric lock/ magnet
- PPC covers or continuous cover for pair available



A fantastic and efficient swing door operator that suits the majority of situations. The Compact is power packed and full of functions. It can be programmed to achieve many day to day functions; working with rebated doors as a pair, as well as standard configurations, plus more. The Compact comes with the Digidor logic selector and is also programmable with a smart phone over Bluetooth. Working with the latest plug and play technology this operator is the newest to our family of swing door operators.



BODY FINISH

Satin Anodised Aluminium
with grey end caps

DIMENSIONS

Height: 95mm
Length: 587mm
Depth: 120mm

NUMBER OF DOOR LEAVES

1 Leaf / 2 Leaves

OPENING DIRECTION

In or Out

LEAF DIMENSIONS

700mm – 1400mm

MAX PAYLOAD

250 KGS

WEIGHT

9 KGS

POWER SUPPLY

13 AMP switched
fused spur

POWER USAGE

85 Watts

OPENING ANGLE

Up to 110 degrees

ELECTRIC LOCK POWER OUTPUT

12V or 24V

SPRING TENSION

EN4 – EN6

OPTIONS

FEATURES



COMPACT SB

Has the same functions as the Compact, but includes battery back up without increasing the size of the operator.



COMPACT F

We have adapted the Compact operator to have a fire certificate rating of 30/30 and tested in the UK.



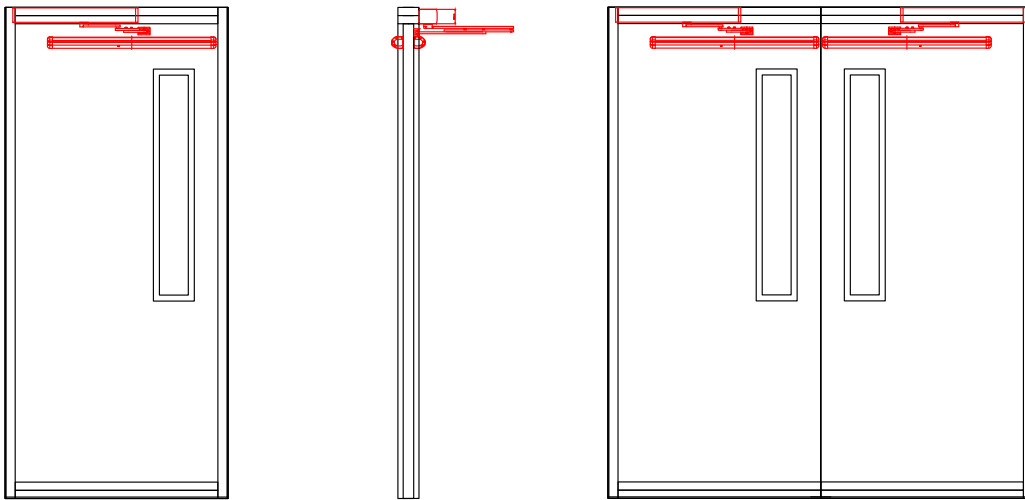
COMPACT M

Suitable for entrances that will not require a manual operation. Motor open, motor close (no spring).

- Heavy Duty
- Digidor logic selector
- Low Energy/Push & Go mode
- Reduced speed and acceleration users with limited and slow reaction capabilities, according to specific regulations and directives
- Optional opening with remote control
- Compatible with different opening, safety and security devices
- Head switch, ON/OFF & 3 position logic
- Easy and intuitive parameter adjustment with double display on control board
- Works with different models of electric lock/magnet
- PPC covers or continuous cover for pair available



The Swift is our internal door operator. With a tiny footprint, this operator looks at home in any residence. The brushless motor ensures near silent operation while longevity is guaranteed. The Swift can cope with internal doors where wind is not an issue. Designed to cope with virtually any reveal found, the Swift is as versatile as it is elegant. The Swift has its own fixing plate as stability is essential while the sightlines are kept to minimum.



BODY FINISH

Satin Anodised Aluminium with grey end caps

DIMENSIONS

*Height: 60mm
Length: 420mm
Depth: 74mm*

NUMBER OF DOOR LEAVES

1 Leaf / 2 Leaves

OPENING DIRECTION

In or Out

LEAF DIMENSIONS

650mm – 1200mm

MAX PAYLOAD

90 KGS

WEIGHT

5 KGS

POWER SUPPLY

13 AMP switched fused spur

POWER USAGE

40 Watts

OPENING ANGLE

Up to 110 degrees

ELECTRIC LOCK POWER OUTPUT

24V Max.5A

SPRING TENSION

EN3

OPTIONS

FEATURES



SWIFT SB

Has the same functions as the Swift, but includes battery back up without increasing the size of the operator.

- Virtually silent technology
- Push and Go mode
- Head fitted switch On/Off
- Low Energy mode
- Auto/Hold Open/Manual/Closed
- Brushless Motor
- Digital logic selector
- Deep reveal mounting
- PPC to cover and continuous cover for pair available



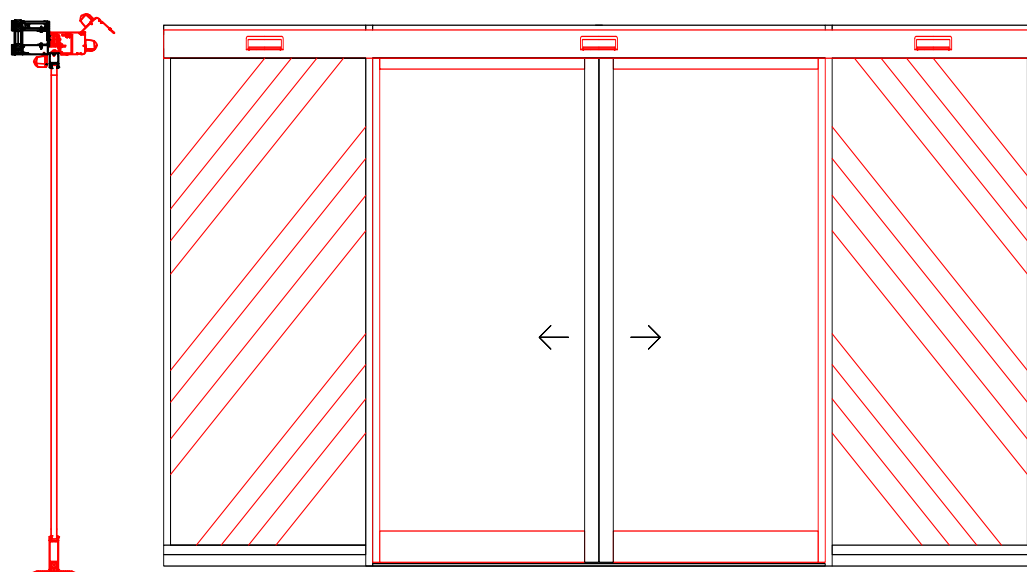
SWIFT F

We have adapted the Swift S operator to have a fire certificate rating of 30/30 and tested in the UK.



The Glide sliding door operator provides exceptional performance in all scenarios. It offers a wide range of innovative options to meet the needs of all environments, with its modular design and mechanical features that create a flexible, functional, slimline, sliding door system. The Glide comes with the Digidor logic selector and is also programmable with a smart phone over Bluetooth.

Powered by a German Dunker motor with a monitored battery back-up and tested to 1,000,000 cycles, the Glide really does present a practical, attractive solution for your entrance.



BODY FINISH

RAL Colour Polyester
Powder Coated to suit

DIMENSIONS

Height: 115mm
Length: up to 6800mm
Depth: 180mm

NUMBER OF DOOR LEAVES

1 Leaf / 2 Leaves

LEAF DIMENSIONS

1 Leaf: 3400mm
2 Leaves: 1700mm each

MAX PAYLOAD

1 Leaf: 140 KGS
2 Leaves: 100 KGS

WEIGHT

11 KGS for the first metre
5 KGS thereafter

POWER SUPPLY

13 AMP switched
fused spur

POWER USAGE

150 Watts

ELECTRIC LOCK

Optional

OPTIONS

FEATURES



GLIDE 1

Single sliding door opening to the left or right.

- Activation sensors
- Touch pads
- Digidor logic selector
- Winter setting (reduced opening)
- Electric lock as an option
- Can work with non-thermally broken, thermally broken sections, all glass or slimline units
- Battery back up as standard



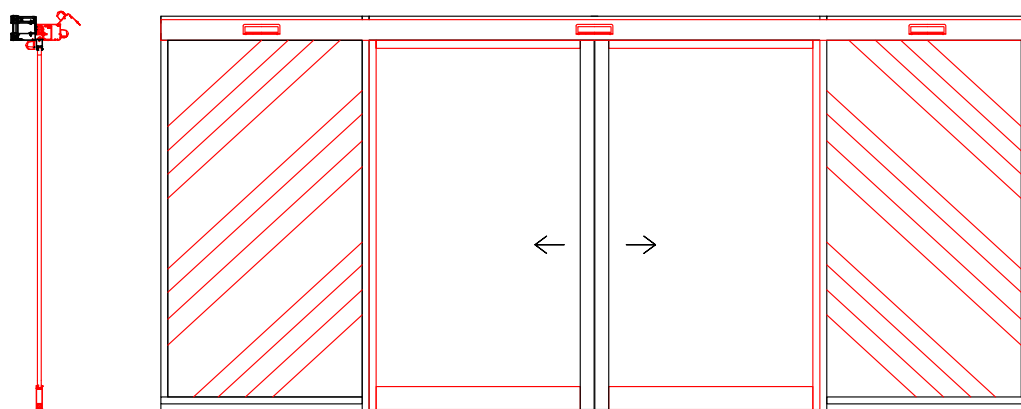
GLIDE 2

Double sliding door opening from the centre.



The Glide HD is the more powerful “big brother” to the Glide. Dealing with much heavier and larger doors, the Glide HD is ideal for when you are looking for a larger/heavier door to be automated. It has all the features of the Glide and is the same size too. Moving some of the heaviest doors in the market place, this operator has reliability at its core. The Glide HD comes with the Digidor logic selector and is also programmable with a smart phone over Bluetooth.

Powered by a German Dunker motor with a monitored battery back-up and tested to 1,000,000 cycles, the Glide HD really does present a practical, attractive solution for your entrance.



BODY FINISH

RAL Colour Polyester
Powder Coated to suit

DIMENSIONS

Height: 115mm
Length: up to 6800mm
Depth: 180mm

NUMBER OF DOOR LEAVES

1 Leaf / 2 Leaves

LEAF DIMENSIONS

1 Leaf: 3400mm
2 Leaves: 1700mm each

MAX PAYLOAD

Glide HD:
1 Leaf: 160 KGS
2 Leaves: 140 KGS

Glide FHD:
1 Leaf: 300 KGS
2 Leaves: 200 KGS

Glide RFHD:
1 Leaf: 600 KGS
2 Leaves: 300 KGS

WEIGHT

11 KGS for the first metre
5 KGS thereafter

POWER SUPPLY

13 AMP switched
fused spur

POWER USAGE

180 Watts

ELECTRIC LOCK

Optional

OPTIONS

FEATURES



GLIDE HD1

Single sliding door opening to the left or right.



GLIDE HD2

Double sliding door opening from the centre.



GLIDE FHD

Single or Double sliding door with increased weight capabilities.



GLIDE RFHD

Single or Double sliding door with maximum weight capabilities.

- Activation sensors
- Touch pads
- Digidor logic selector
- 6 Modes
- Winter setting (reduced opening)
- Electric lock as an option
- Can work with non-thermally broken, thermally broken sections, all glass or slimline units
- Battery back up as standard

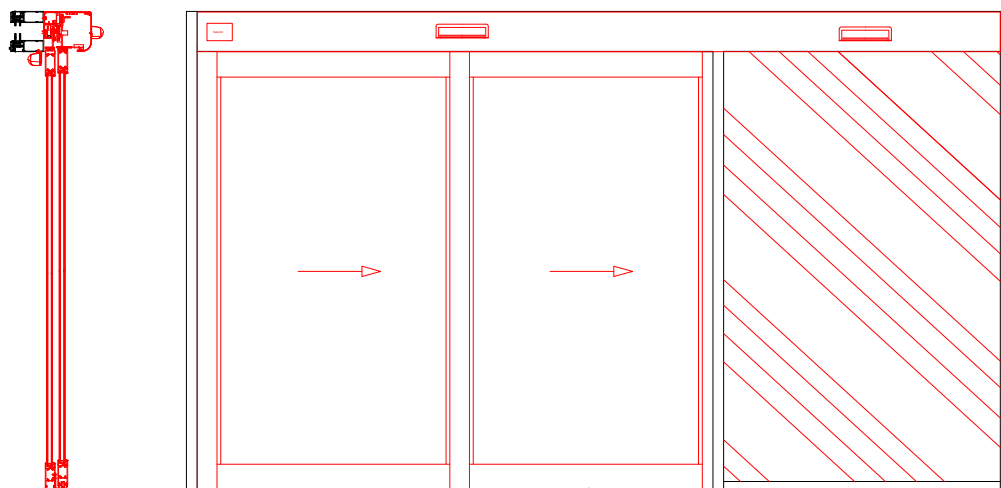


The Glide T allows for operation of telescopic doors.

There are options to have two doors moving in unison, one direction or four doors (two each side) opening from the centre. This operator helps when space for the door to slide into is limited, still with the same reassuringly good quality of the Glide range.

The complex system moves the outer leaves (further from the frame) twice the speed of the ones closer to the façade, this ensures the leaves are synchronised and all doors close and open together.

On larger doors we will provide a small channel in the threshold if needed so the doors are kept in line during windy conditions.



BODY FINISH

RAL Colour Polyester
Powder Coated to suit

DIMENSIONS

Height: 186mm
Length: up to 6800mm
Depth: 224mm

NUMBER OF DOOR LEAVES

2 Leaves / 4 Leaves

LEAF DIMENSIONS

2 Leaves: 1700mm each
4 Leaves: 1130mm each

MAX PAYLOAD

2 Leaves: 120 KGS
4 Leaves: 80 KGS

WEIGHT

15 KGS for the first metre
7 KGS thereafter

POWER SUPPLY

13 AMP switched
fused spur

POWER USAGE

180 Watts

ELECTRIC LOCK

Optional

OPTIONS

FEATURES



GLIDE T2

Two sliding doors opening to the left or right.



GLIDE T4

Four sliding doors opening from the centre.

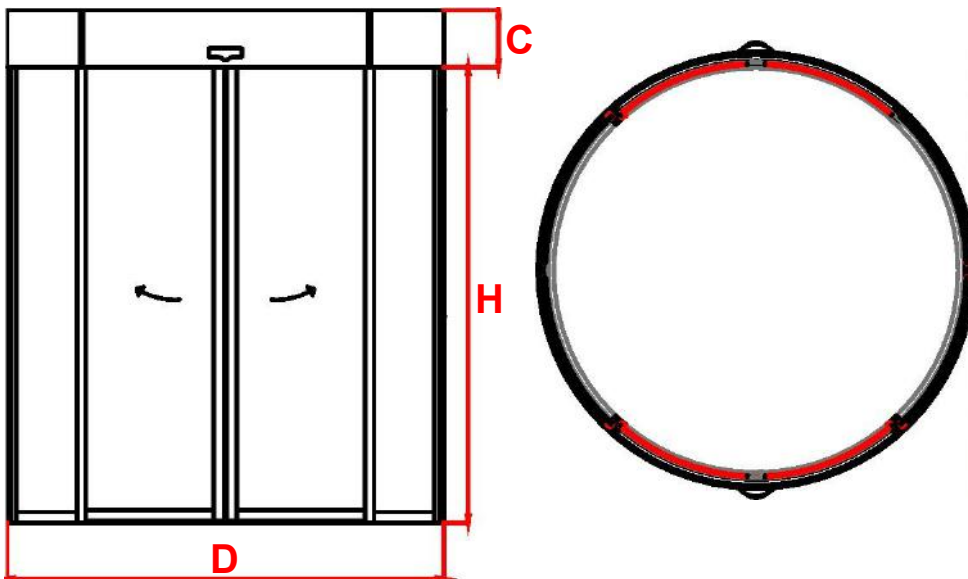
- Activation sensors
- Touch pads
- Digidor logic selector
- Winter setting (reduced opening)
- Electric lock as an option
- Can work with non-thermally broken, thermally broken sections, all glass or slimline units
- Battery back up as standard
- Note: Pocket screens can not be used with telescopic doors (as per BS EN16005)



When you prefer the look of a revolving door but need to provide access for all with limited space in the entry area, the Saturn circular sliding door is for you. The Saturn consists of two sets of curved sliding doors and offers an elegant look with the ease of use offered by sliding doors. Thanks to its curved appearance, the Saturn offers a slightly wider throat opening than normal sliding doors with the same installation width.

The Saturn automatic circular sliding door can be manufactured between 2000mm and 4000mm diameters as standard and has various colour and surface alternatives.

As with all of our products the Saturn is completely compliant with EN16005 norms in terms of safety.



BODY FINISH

RAL Colour Polyester
Powder Coated to suit

Optional
Stainless Steel

DIMENSIONS

C: Canopy Height between
200mm - 1000mm

H: Height under Canopy
2100mm - 2400mm

D: Drum Diameter
2000mm - 4000mm

NUMBER OF DOOR LEAVES

2 Leaves / 4 Leaves

MAX PAYLOAD

2 Leaf: 200 KGS
4 Leaves: 120 KGS

POWER SUPPLY

13 AMP Switched
Fused Spur

POWER USAGE

140 Watts

ELECTRIC LOCK

Optional

OPTIONS

FEATURES



HALF SATURN

Two sliding doors opening in a semicircle.

- Activation sensors
- Touch pads
- Selector
- 6 Operating modes
- Winter setting (reduced opening)
- Electric lock as an option
- Battery back up as standard



SATURN

Two sets of double sliding doors creating a lobby effect.

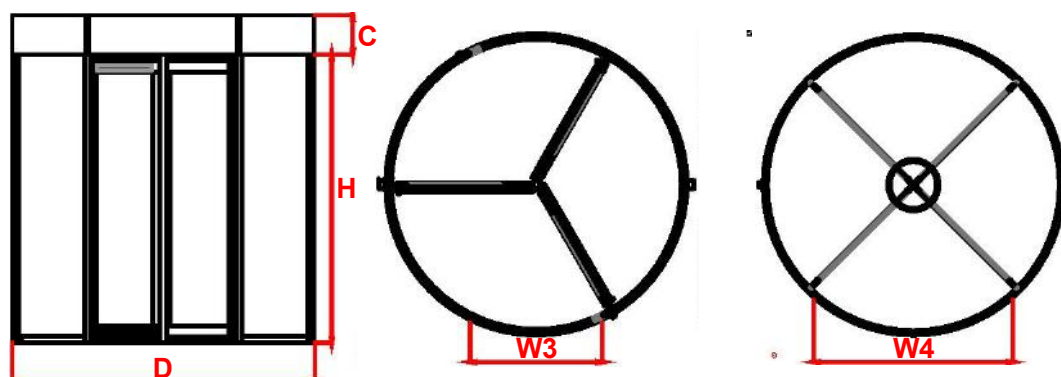


The revolving door was created over one hundred years ago to keep the cold out and warmth in. Over the years these doors have become not only a practical solution but also an aesthetically welcoming feature to many buildings.

The Orbit revolving door can be manufactured with polyester powder coated, anodised or stainless-steel finishes. It is designed to fit effortlessly into all manner of facades and will provide you with insulation whilst having a smooth traffic flow.

Glazing to the drum walls is 8mm curved clear laminated glass. In the door wings 8mm clear laminated glass is used as standard.

If required, 10mm clear laminated glass in the door wings is an option.



D	H	C	W/3	W/4
2000mm	2100mm-3100mm	100mm-1000mm	920mm	1860mm
2200mm	2100mm-3100mm	100mm-1000mm	1010mm	2060mm
2400mm	2100mm-3100mm	100mm-1000mm	1105mm	2260mm
2600mm	2100mm-3100mm	100mm-1000mm	1195mm	2460mm
2800mm	2100mm-3100mm	100mm-1000mm	1285mm	2660mm
3000mm	2100mm-3100mm	100mm-1000mm	1375mm	2860mm
3200mm	2100mm-3100mm	100mm-1000mm	1465mm	3060mm
3400mm	2100mm-3100mm	100mm-1000mm	1555mm	3460mm
3600mm	2100mm-3100mm	100mm-1000mm	1645mm	3660mm
Special Dimensions Available on Request				

FRAME FINISH

RAL Colour Polyester Powder Coated to suit

Natural or coloured anodised

Satin or Polished Stainless Steel

DIMENSIONS

Diameter: 2000mm - 3600mm

Height: 2100mm - 3000mm

NUMBER OF DOOR LEAVES

3 / 4 Wing

HANDLES

Full height Satin Stainless Steel

OPERATION

Manual / Power Assist / Automatic

FLOOR RING

Satin Stainless Steel

OPTIONAL ITEMS

Night Sliding Curved Doors

Collapsible Door Set

Floor Matting



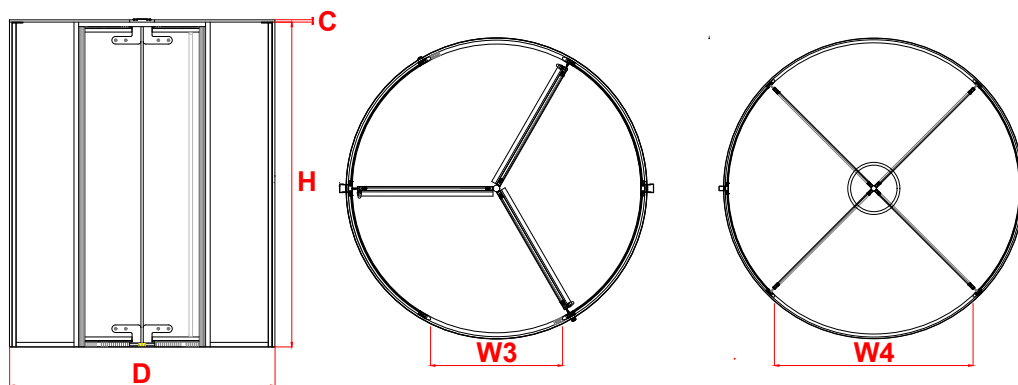
Orbit All Glass revolving door is manufactured using as much glass as possible and only having the slimmest of Stainless Steel profiles.

It is designed to give as much transparency into and out of the building as possible. It will provide you with the insulation and smooth traffic flow of a standard revolving door and creates a more contemporary main entrance feature.

Glazing to the drum walls and the door wings is 8mm clear laminated glass as standard.

If required, 10mm clear laminated glass in the door wings is an option.

All glass edges are covered with the slimmest of stainless steel profiles.



BODY FINISH

Glass with minimal
Stainless Steel fixings

DIMENSIONS

Diameter: 2000mm -
3000mm

Height: 2100mm -
2700mm

NUMBER OF DOOR LEAVES

3 / 4 Wing

HANDLES

Full height Satin
Stainless Steel

OPERATION

Manual / Power Assist /
Automatic

FLOOR RING

Satin Stainless Steel

OPTIONAL ITEMS

Night Sliding Curved Doors

Floor Matting

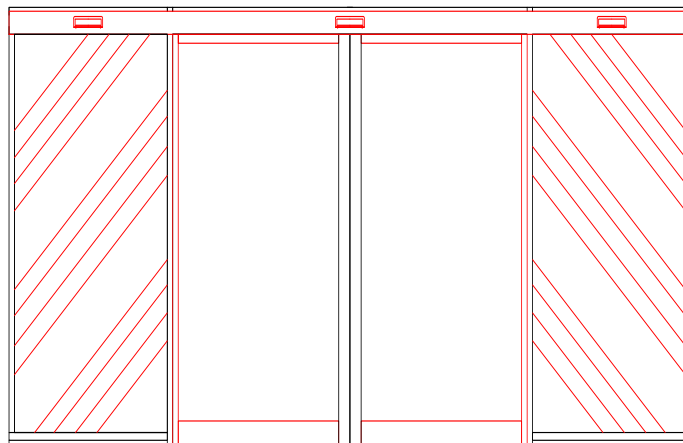
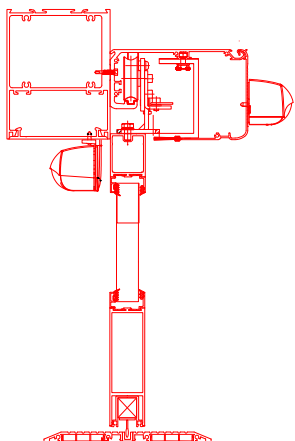
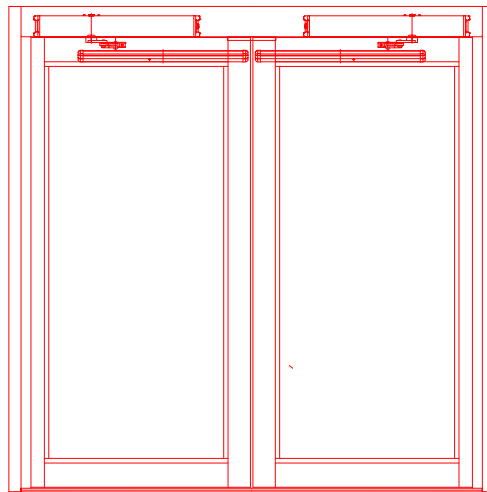
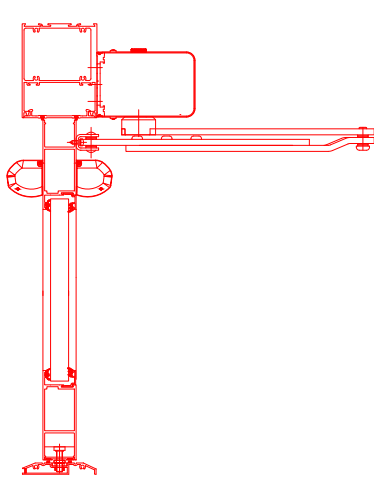
D	H	C	W/3	W/4
1800mm	2100mm-2800mm	16mm	800mm	1220mm
2000mm	2100mm-2800mm	16mm	920mm	2060mm
2200mm	2100mm-2800mm	16mm	1010mm	2260mm
2400mm	2100mm-2800mm	16mm	1105mm	2460mm
2600mm	2100mm-2800mm	16mm	1195mm	2660mm
2800mm	2100mm-2800mm	16mm	1285mm	2860mm
3000mm	2100mm-2800mm	16mm	1375mm	3060mm
Special Dimensions Available on Request				



All of our aluminium doors and frames are manufactured locally using standard shopfront sections, to ensure the highest quality finish. We can provide swing and sliding doors to suit any project.

Low level thresholds and wide doors allow for compliance with DDA requirements. An option of thermally broken sections means we can cater for all your needs.

Our installations are carried out by our highly trained and professional employed technicians, who can also automate the doors as they are installed. Frames and doors are delivered by us to ensure there are no 3rd party hold ups. Typical installations are double glazed, but if required we can also single glaze using the same profiles with enhanced beading.



FINISH

Single RAL colour for non thermally broken doors and a choice of two colours (inside and out) for the thermally broken doors and frames

DIMENSIONS

Ground floor treatments only

GLAZING

Single glazed

Double glazed

All safety glass either Heat Soaked Toughened or Laminated

THERMAL PROPERTIES

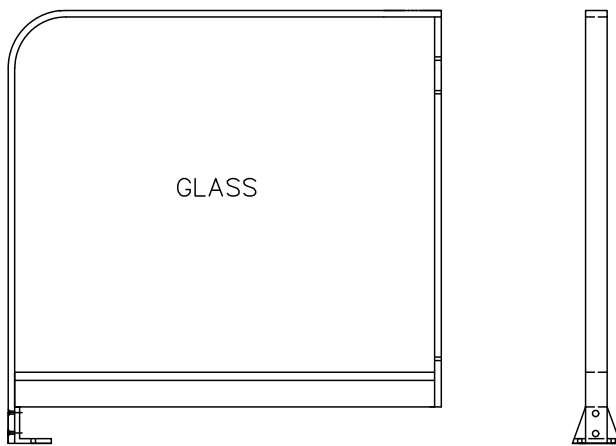
Project specific U Value calculations available on request

BARRIER RAILS



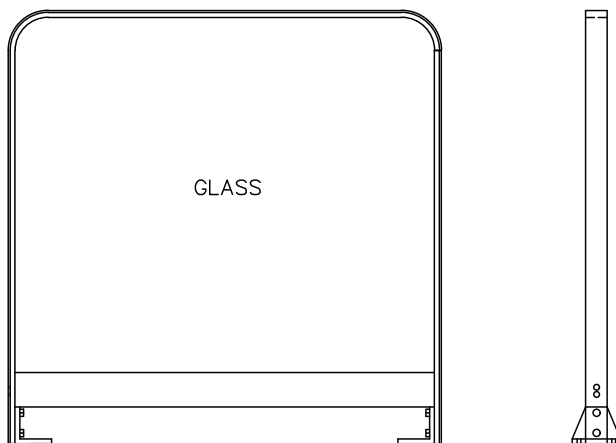
Barrier rails are a fantastic way to create a focus at your entrance and also provide additional safety for your project.

They stop the doors from blowing past 90 degrees and ensure where sensors are used as activation, pedestrians approach from the correct direction. The sensors will only be looking for people approaching face on as the activation sensors “ignore” the area where the doors swing.



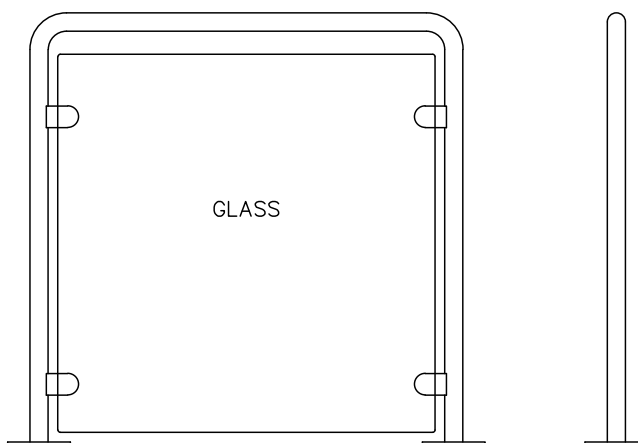
FLOOR TO WALL:

*Aluminium flat bar
6mm safety glass insert
RAL9006 as standard
EN16005 compliant*



FLOOR TO FLOOR:

*Aluminium flat bar
6mm safety glass insert
RAL9006 as standard
EN16005 compliant*



STAINLESS STEEL:

*Grade 316 Stainless steel
Tubular design
6mm safety glass insert
Clamped glass fixings
EN16005 compliant*

OPTIONS:

*Standard finishes as shown
Bespoke finishes available*

POCKET SCREEN BARRIERS



POCKET SCREEN BARRIERS

With more and more entrances needing pocket screens it was a natural step for Prosale to manufacture our own. The standard door sections are restrictive, as they require hinges to attach to an upright. The uprights can be a distance away from where you need the pocket screen to start. This leaves either very wide pocket screens or additional uprights, making the entrance look very cumbersome.

We have designed pocket screens that can start anywhere along the travel of the door and for wider doors we can even split the glass vertically without the need of uprights.

Our pocket screens are near invisible and leave the entrance feeling uncluttered. The screens are constructed from 10mm toughened clear glass with the long edges polished. They are attached at the top through our cover into the track of our operator and at the bottom to a threshold. With locks top and bottom to ensure compliance with the EN16005 the screens are perfect for when safety is paramount.

FINISH

Aluminium is Polyester Powder Coated in a standard RAL to match your project

DIMENSIONS

Height up to 2700mm

Width

One piece: Up to 1200mm

Two piece: up to 2400mm

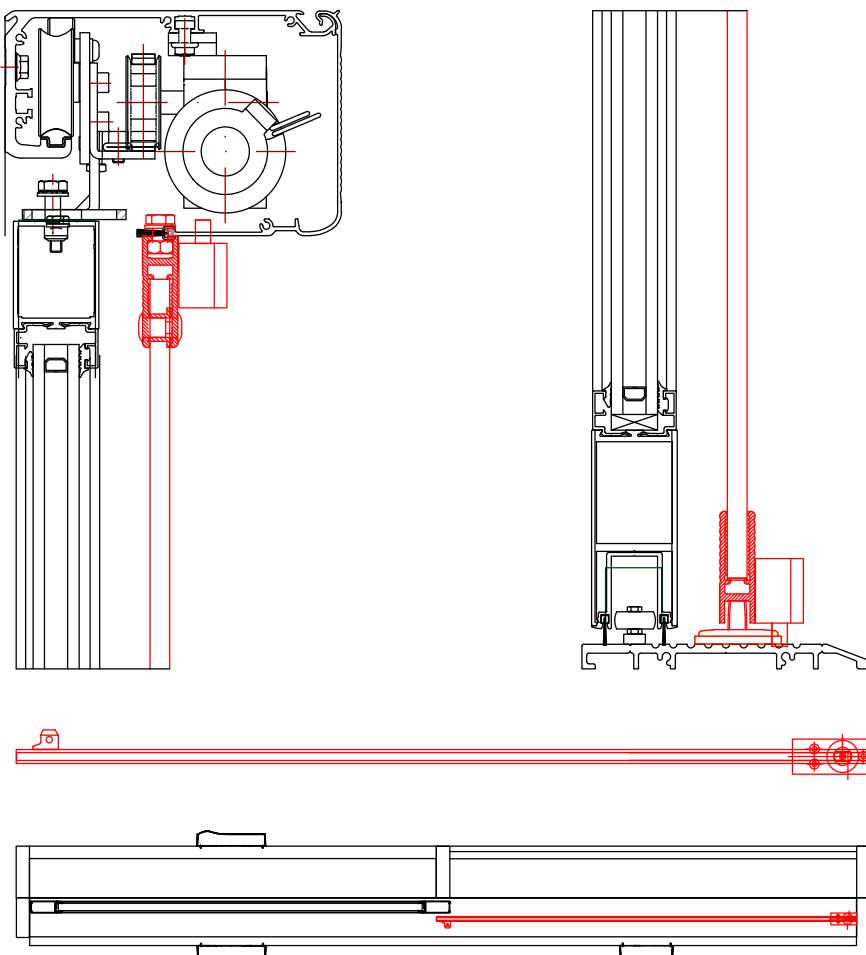
GLAZING

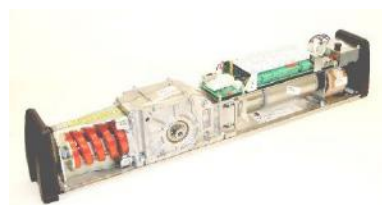
Single glazed 10mm with polished edges

Heat Soaked Toughened

THRESHOLD

Can be provided as part of package





Prosale can help you create the ideal automation package to suit your project. Offering a slide or swing door set up, we can provide a bespoke operator to match your requirements.

We are also the UK's No.1 stockist of SESAMO Automatic Door Operators & Replacement Parts plus many different makes of activation sensors, safety sensors, push pads, touch pads, electronic locks, plus much more!

If you are not sure what you need call us and we can advise you. We have a fully qualified EN16005 team that are on hand to assist with any enquiry.



Next day delivery if ordered before Midday

Large range of stocked items ready to be shipped

Credit accounts available upon application

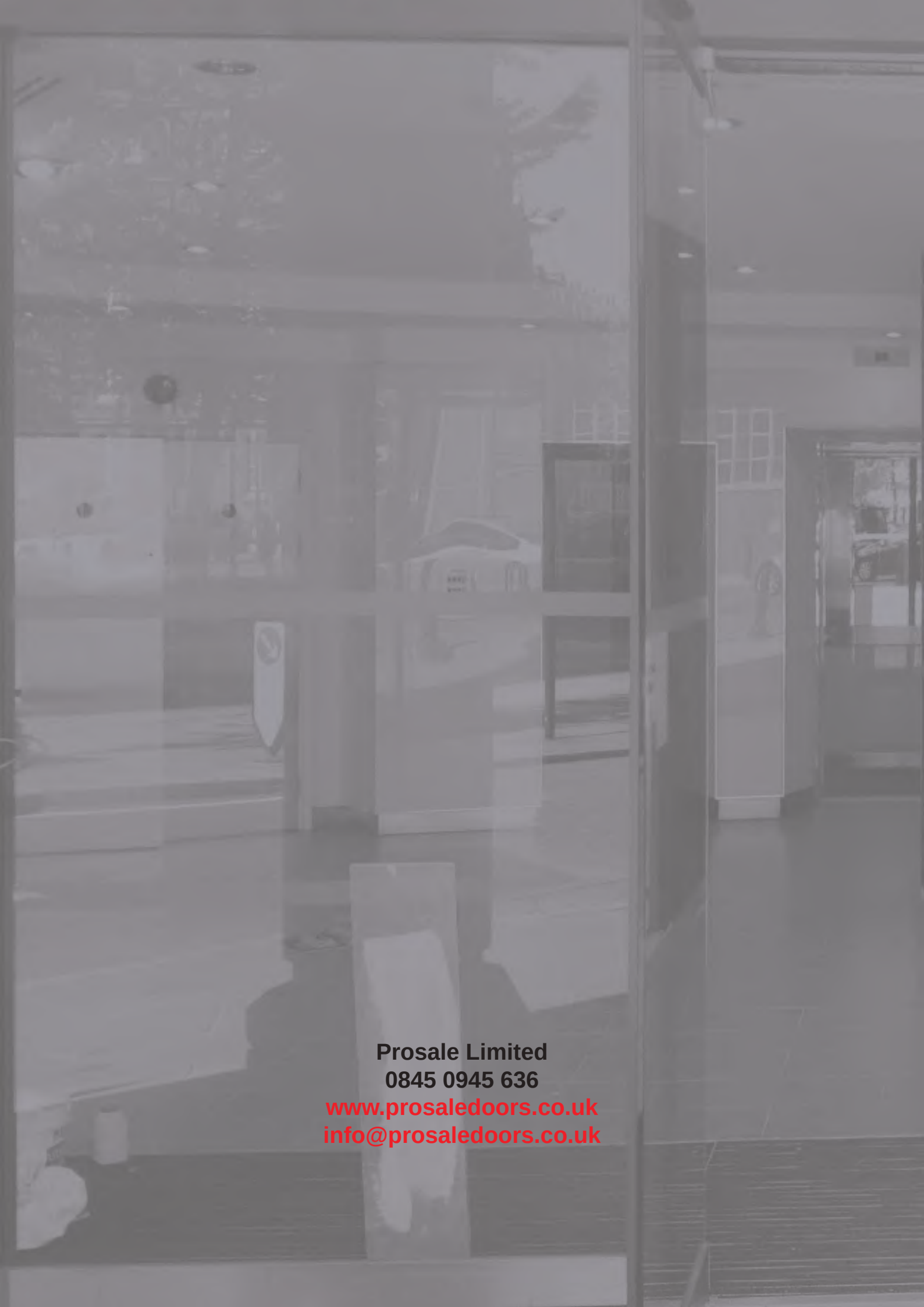
Installation and programming training available

Installation assistance offered with side by side attendance

Product sourcing available

Visit www.automaticdoorshop.co.uk

T:0845 0945 636



Prosale Limited
0845 0945 636
www.prosaledoors.co.uk
info@prosaledoors.co.uk