

INSTALLATION MANUAL

Safe Cover Standard/Easy

EN

Version: 1.0
Date: 22-01-2025

Contents

1. INTRODUCTION	01
2. SAFE USE, CLEANING & MAINTENANCE	01
2.1. Hazards & responsible use	
2.2. Care tips and the fall/winter season	01
2.3. Technical tips	01
3. GENERAL WARRANTY CONDITIONS	02
3.1. General provisions	
3.2. Warranty period	02
3.3. Warranty conditions	02
3.4. Warranty conditions for Safe Cover and their components	03
3.5. Complaint notification	03
4. SAFE COVER ACCESSORIES	04
5. INSTALLATION OF SAFE COVER	05
5. ROLLING UP SAFE COVER	08
6. ELECTRIC ACCU WINDER SCOOT	09
6. UNROLLING SAFE COVER	10

THIS INSTALLATION MANUAL SHOULD BE KEPT SAFE FOR FUTURE REFERENCE!

For details regarding the duration and terms of the warranty, we recommend contacting your supplier. Additionally, we refer you to our General Terms and Conditions of Sale and Delivery, available upon request. The manufacturer disclaims all liability for damage or injury resulting from failure to strictly follow this installation manual or neglecting standard precautions during transport, assembly, and use of the product. As part of ongoing efforts to improve, the product may differ in detail from what is described in this manual. For this reason, the instructions provided should be regarded as guidelines for installing the product mentioned in this manual. This manual has been carefully prepared, but the manufacturer accepts no responsibility for any errors or their consequences. Furthermore, all rights are reserved, and no part of this manual may be reproduced in any form or by any means without permission.

1. Introduction

Thank you for using this manual. This installation guide has been designed to assist you throughout the process of purchasing your safe cover. It applies to both the standard and easy variants, providing clear instructions to help you determine your requirements and assess whether the cover is suitable for your pool.

We hope this manual provides the support you need to make the right choices. If you have any questions, please do not hesitate to contact us.

2. Safe use, cleaning & maintenance

2.1. Hazards and responsible use

The swimming pool can be a serious hazard to children. A responsible adult and active supervision are therefore essential.

The pool cover fulfills its function when it is properly installed (in accordance with these instructions), tightened and the buckles are in the closed position. A cover is not a substitute for the mindfulness of parents or responsible persons and does not absolve from the use of common sense and individual responsibility in use. The cover is a decisive factor for the protection of young children. It is forbidden to deliberately climb onto the pool cover.

We recommend that you read the rules for providing first aid.

2.2. Care tips and the fall/winter season

In order to maintain cleanliness, the cover should be washed at least 2 times a year at equal intervals, preferably before and after the bathing season. They can be cleaned with a pressure washer or mop.

Aggressive cleaning agents and abrasive sponges should be avoided.

Heavy dirt, which can lead to clogging of technical holes, should be removed as soon as possible so as not to lead to water accumulation on the surface.

A safety cover also protects the pool in winter. Snow cover above.

2.3. Technical tips

The entire cover as well as fasteners should be checked at least 2 times a year, preferably during cleaning. Additional inspection is required when the tarpaulin has been used as a rescue device or after a period of extreme weather conditions (heavy snowfall, windstorm).

Damaged components should be replaced and supplemented with original components.

To maintain optimal tension, the lashing straps should be checked every 2 weeks and if necessary, additional.

3. General warranty conditions

3.1. General Provisions

1. Company (hereinafter referred to as the "Manufacturer") hereby provides the recipient (hereinafter: the "Client") with a GUARANTEE on the terms and conditions described in this document (hereinafter: "TOG").
2. Please read the enclosed user manual carefully before using the product.

3.2. Warranty period

1. The warranty period for safety covers, winter covers, protective netting is 3 years for the replaced parts: PVC material, aluminum profiles, stainless steel fasteners, buckles and belts.
2. The warranty period for the reel crank is 2 years.
3. The warranty period for the electric winding crank is 1 year for mechanical parts and 6 months for electrical components. Batteries are not covered by warranty.
4. The warranty period is counted from the date of delivery of the device to the Customer. Device defects reported to the Manufacturer after the warranty period have expired are not covered by the warranty.
5. Only the invoice is a valid warranty document.

3.3. General warranty conditions

1. The warranty covers all costs of substitution of materials, components or financial compensation if the damage is due to manufacturing oversights or material defects and is not the result of improper use or negligence on the part of the customer.
2. If the complaint is checked and accepted by the manufacturer, only the defective parts will be replaced or the customer will receive a financial refund. The method of compensation is decided by the seller.
3. A written complaint must be submitted within 5 working days after the irregularity has been observed.
4. Any warranty claims can be asserted after full payment of the order according to the payment term.
5. Assembly, disassembly and transportation costs are not covered by the warranty. The manufacturer's liability is void if the defect is caused by improper actions by the user or failure to comply with the applicable instructions for installation, connection and use.
6. Warranty claims can only be accepted on our products that have been installed, serviced and maintained by qualified personnel.
7. Warranty work does not extend the warranty period.
8. The advertised goods delivered to our factory for processing must be clean and dry, regardless of whether they are under warranty. If dirty or wet goods are delivered, cleaning costs will be charged.
9. Any liability for direct and indirect damages is not covered by the warranty. You should seek advice from your liability insurer in this regard and include such risks in your use policy.
10. In the case of a visual complaint of anodized aluminum profiles and tubes, remember to assess the quality of the anodized surface in accordance with the requirements of QUALANOD.

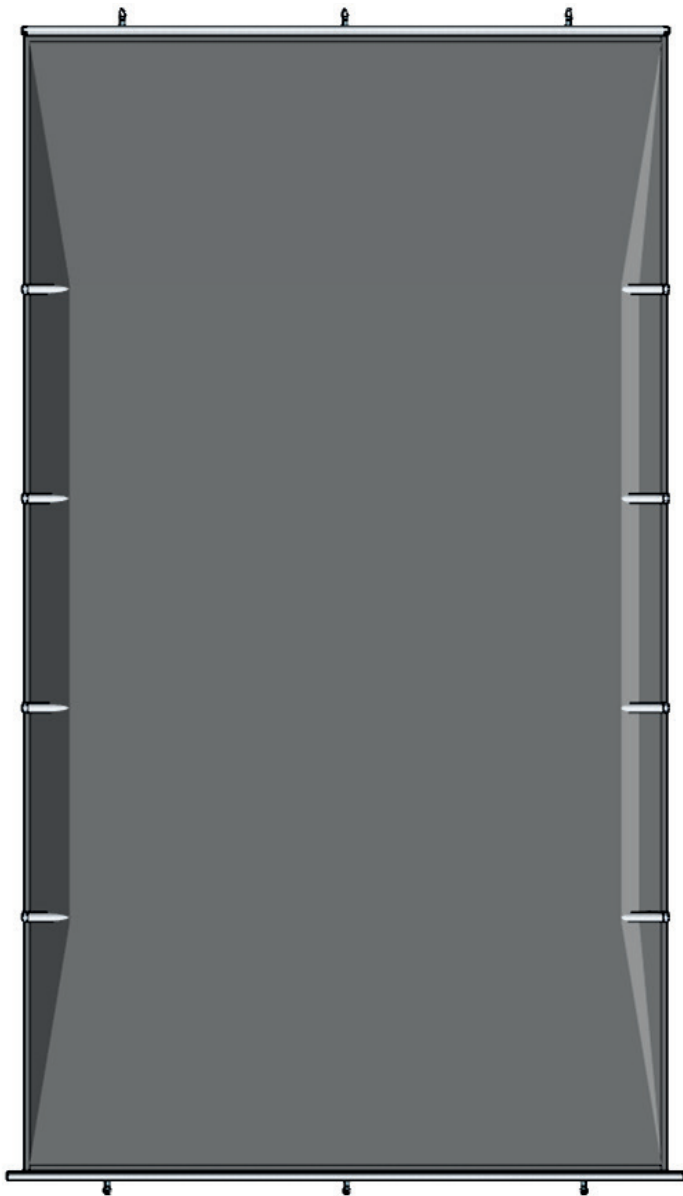
3.4. Warranty conditions for Safe Covers and their components

1. The warranty does not cover damage caused by:
 - a. Abrasion, freezing, chemical, electrical or electrostatic influences;
 - b. The action of microorganisms such as algae and the like (mainly caused by improper water treatment);
 - c. Intentionally;
 - d. As a result of improper handling or exceptional loads such as hail/storm, hurricane winds or excessive snow load cannot be accepted;
 - e. Improper installation, abrasion against sharp objects;
2. Due to the elasticity characteristic of the material used, and thus susceptibility to linear expansion under the influence of temperature changes, dimensional fluctuations are allowed. The dimension of the finished cover may vary within +/-1.00%, which is fully normal and acceptable.
3. Changing the color tone cannot be seen as a defect as it is proper for this product. Weather conditions may slightly affect the shade of the material.
4. The safety cover has technical holes – oval notches that allow water to drain from the surface into the pool. In the event of heavy snowfall, we recommend removing the cover or providing additional support for the safety covers with our snow support system. However, even the use of a snow support system does not rule out damage caused by excessive snow loads – we cannot accept such warranty claims.

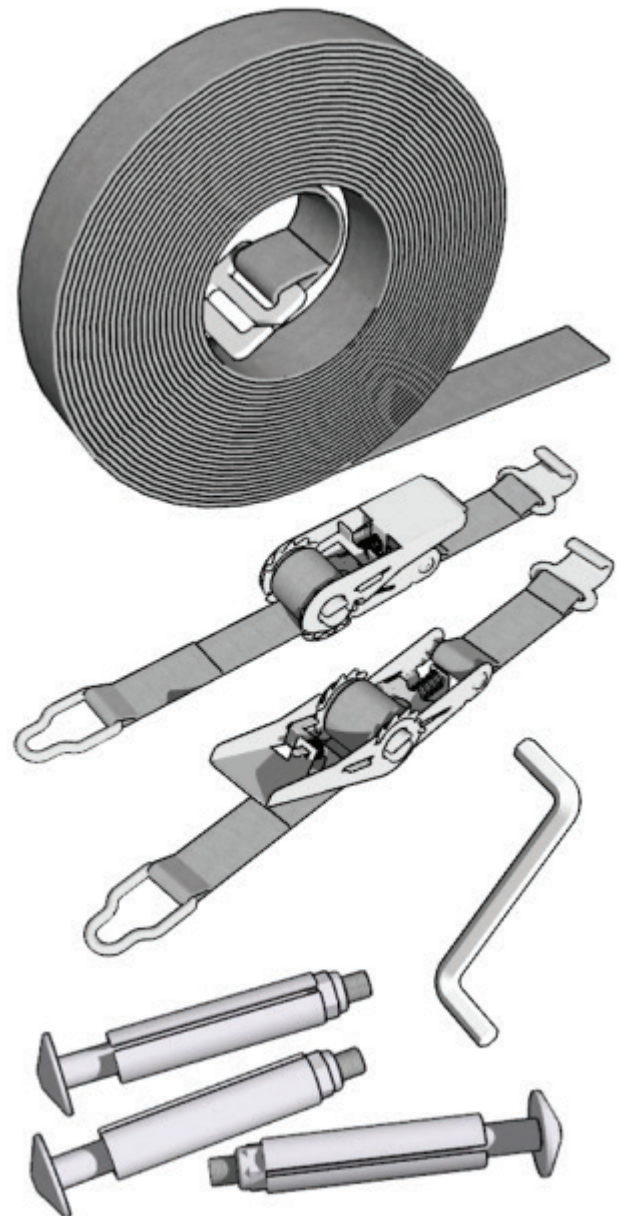
3.5. Complaint notification

1. A complaint should be delivered within 7 days after the irregularity has been observed in electronic form by email and must include:
 - a. Client's data.
 - b. Data of the person reporting the defect (if the person reporting the defect is a person other than the customer).
 - c. The original or copy of the invoice.
 - d. The detailed description of the defect.
 - e. If possible, photographs showing the defect.
2. Filing a complaint in violation of paragraph 1 may prolong the process of considering the complaint or cause it to.
3. The complained device should be delivered to the Manufacturer's address to the Complaint Department.
4. The Client should properly secure the Device for the duration of transport as part of the complaint report.

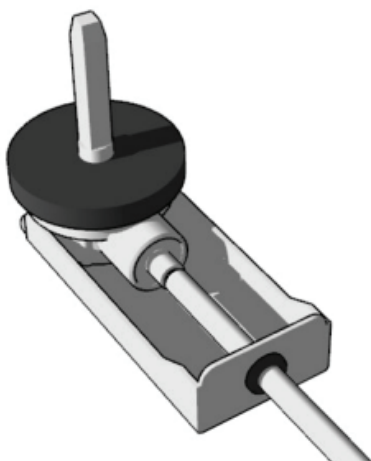
4. Safe Cover accessories



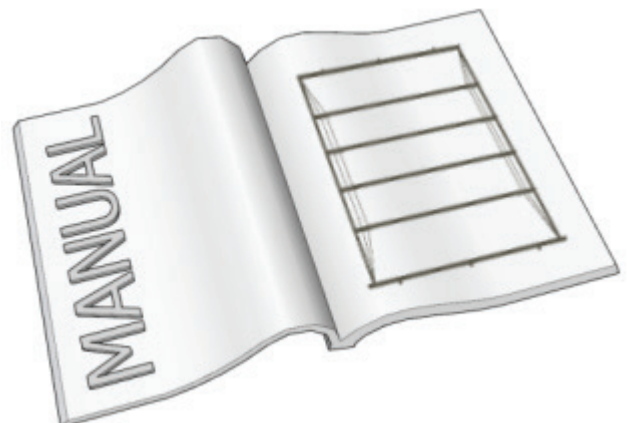
Complete cover with strengthening pipes



Mounting elements with a schedule (depending on the variant)



Crank with gear (optional)

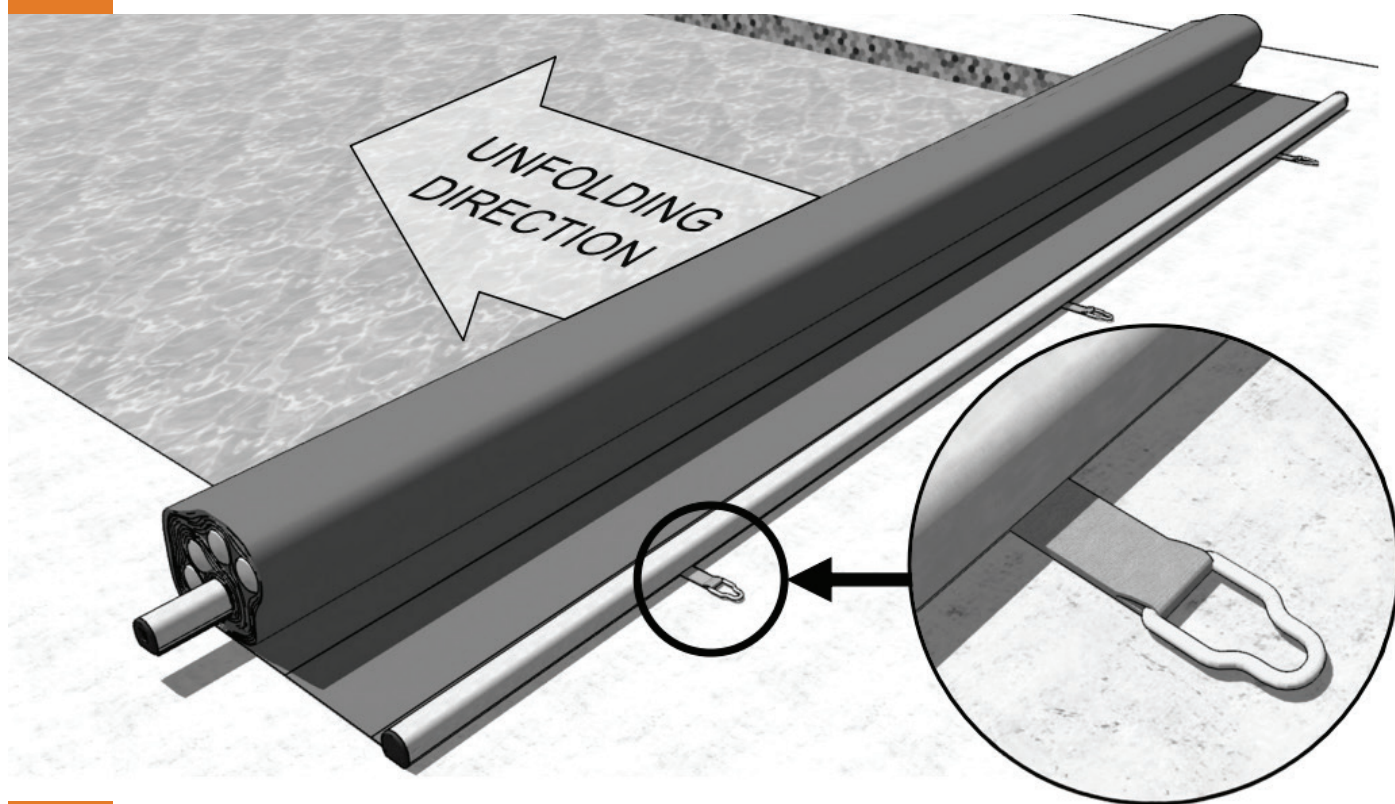


Assembly and user manual

5. Installation of Safe Cover

1

The rolled-up cover have to be placed at the end of the pool, i.e. on the side on which it is ultimately to be rolled up. Tension triangles are fitted to the end tube of the cover.



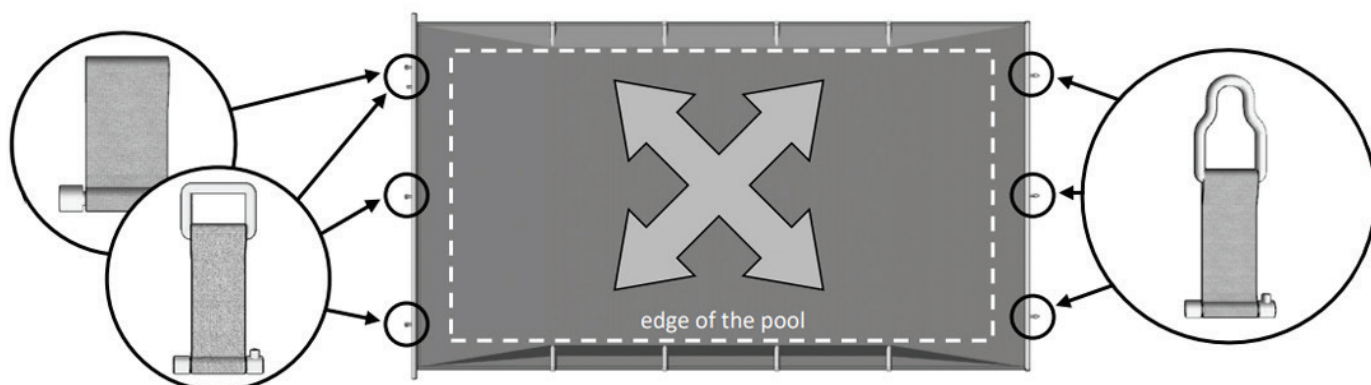
2

Unroll the cover completely by hand. It will be most convenient to unfold the cover into two adults.



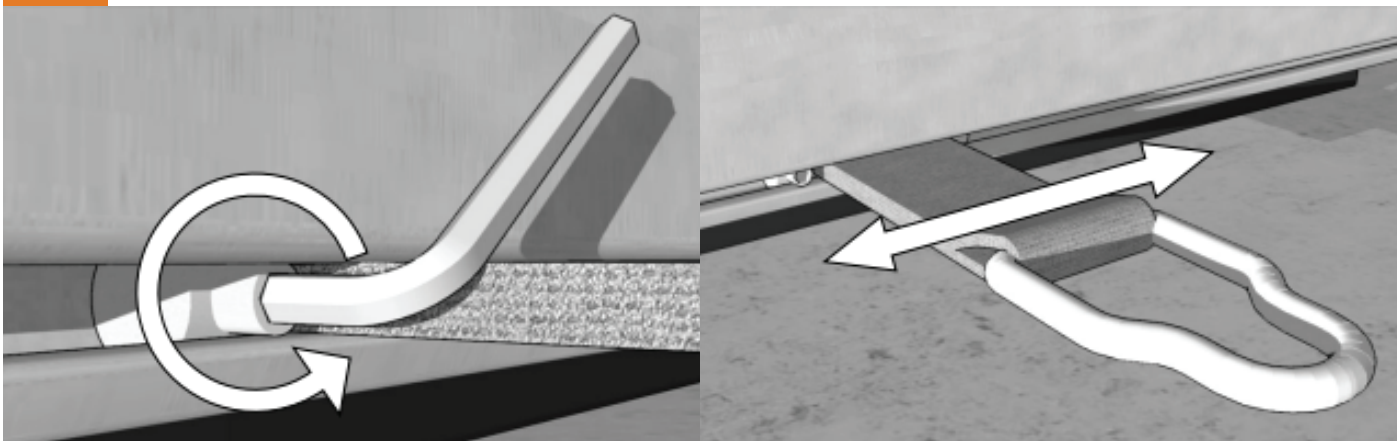
3

The cover is unfolded. Stretch them gently and position them in relation to the edge of the pool - take into account the side margins (standard 25 cm per side; however, note that this is variable and determined according to the customer's preference).



4

Start the assembly of the fixing from the storage side of the rolled up cover, i.e. the end pipe. First, we adjust the hooks.



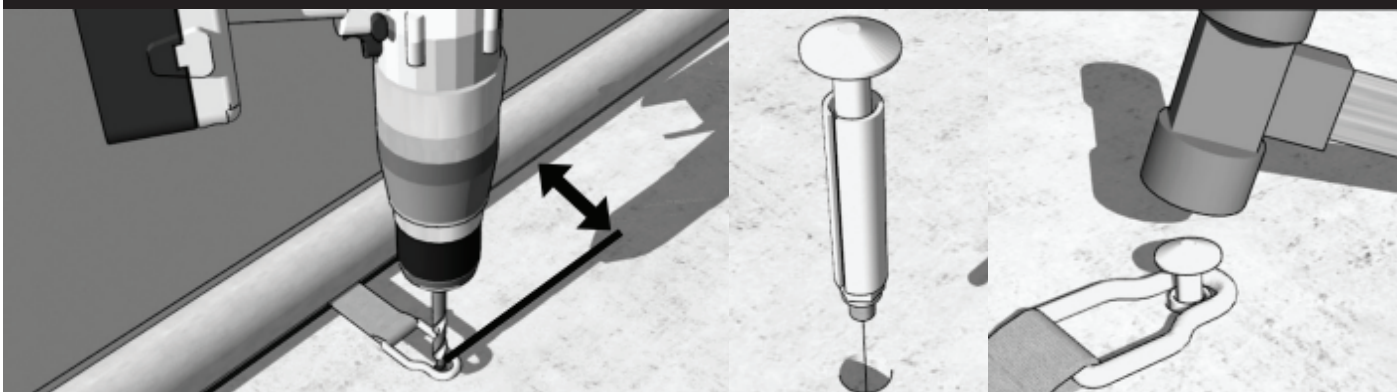
Unscrew the adjustment screw using the included 2mm Allen key.

Place the fastening belts in the desired position and then tighten the adjustment screw again.

5

Mark the drilling location for each of the catches and, going through the following steps, install the tensioning bolts.

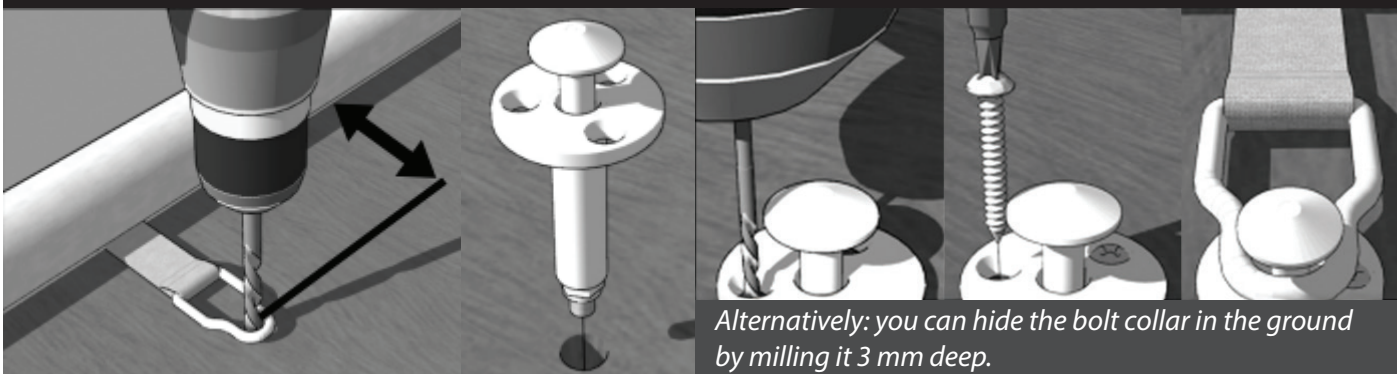
VARIANT 1 – Concrete mounting (standard mounting screws)



At a distance of approx. 10 cm from the cover (as standard), drill holes for screws with a Ø 10 mm drill.

Put the mounting screws with sleeves into the drilled holes and hit them with a hammer. Put on the hook.

VARIANT 2 – Mounting to wood (mounting screws to wood)

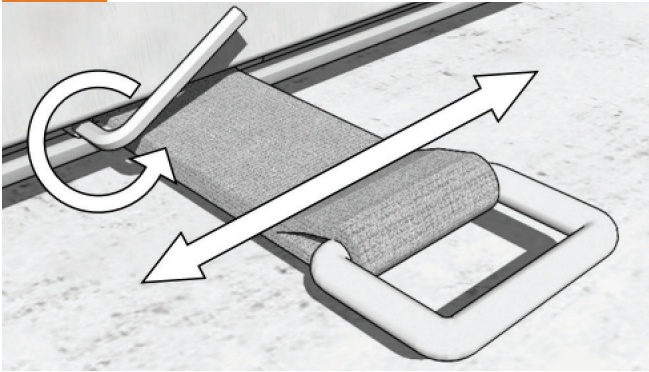


At a distance of approx. 10 cm from the cover (as a standard), drill holes with a Ø 10 mm drill into which insert / hammer in wood mounting screws

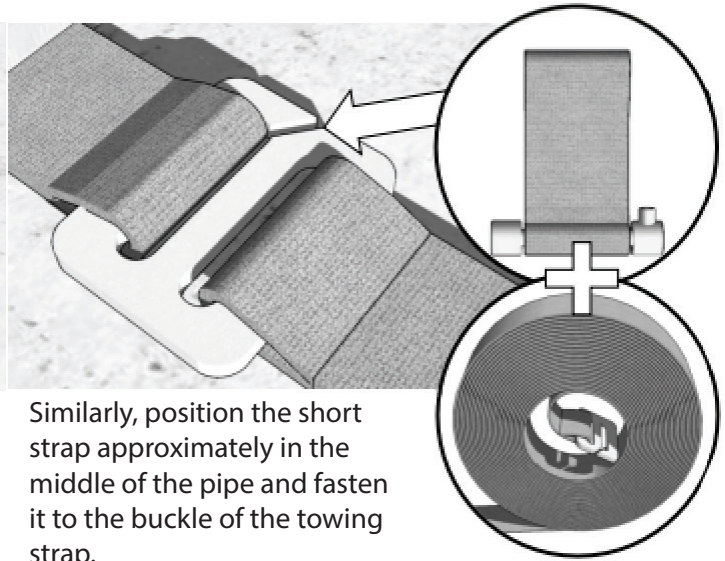
Using a 2-2.5 mm drill bit, drill 3 additional holes for screws. Screw the flange to the plank / plate using the screws provided. Place the clip on the screw.

6

Go from the other side of the cover - from the winding side and adjust the position of the clamping clamps and mount the pull strap.



Use a 2 mm Allen key to unscrew the adjustment bolt and set the belts for fastening the buckles in the desired position, and then tighten the adjustment bolt.

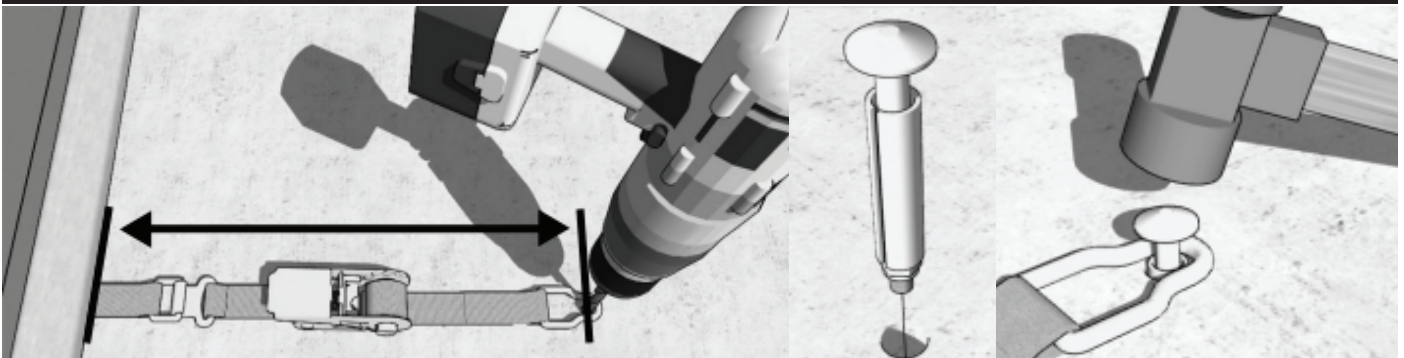


Similarly, position the short strap approximately in the middle of the pipe and fasten it to the buckle of the towing strap.

7

Put the clamps on the hooks, mark the drilling location for each of the hooks and, following the steps below, install the tensioning bolts.

Below is an example of an assembly for VARIANT 1 - assembly into concrete. Mounting to wood, i.e. VARIANT 2, has been described earlier and we perform it similarly to the example below.

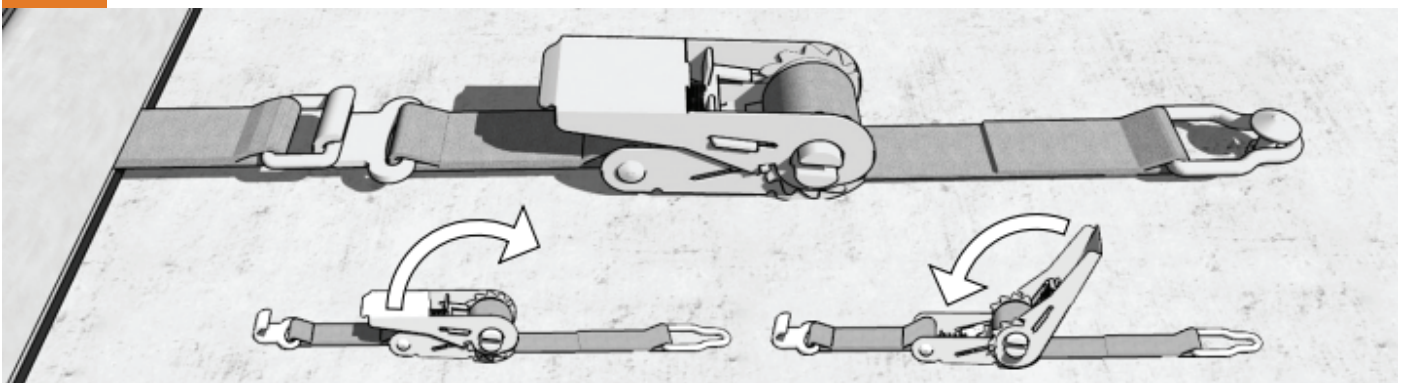


At a distance of approx. 35-60 cm (standard) from the cover, drill holes for mounting screws with a \varnothing 10 mm drill.

Put the mounting screws with sleeves into the drilled holes and hit them with a hammer. Put on the hook.

8

Tighten the cover with a tension buckle. Below is a diagram of how the buckle works. Remember to leave the buckles in the closed position. THE ASSEMBLY OF THE COVER IS COMPLETE



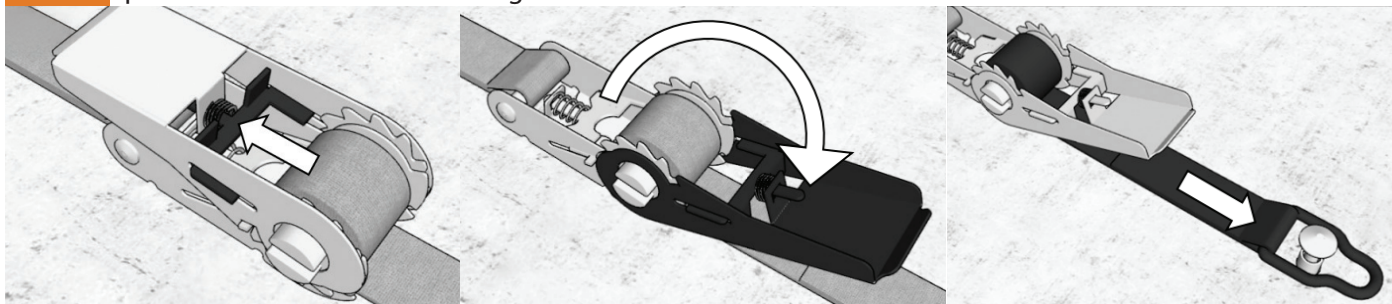
6. Rolling up the Safe Cover



The cover should be rolled up by the responsible adult according to the following instructions. It is advisable to cover the pool for safety during each absence of the supervisor.

1

Loosen the tension buckle by pressing the spring frame, at the same time moving the buckle handle by 180 degrees. In the open position, pull the strap and gently slide it out of the buckle until it is possible to remove the fastening from the bolt.

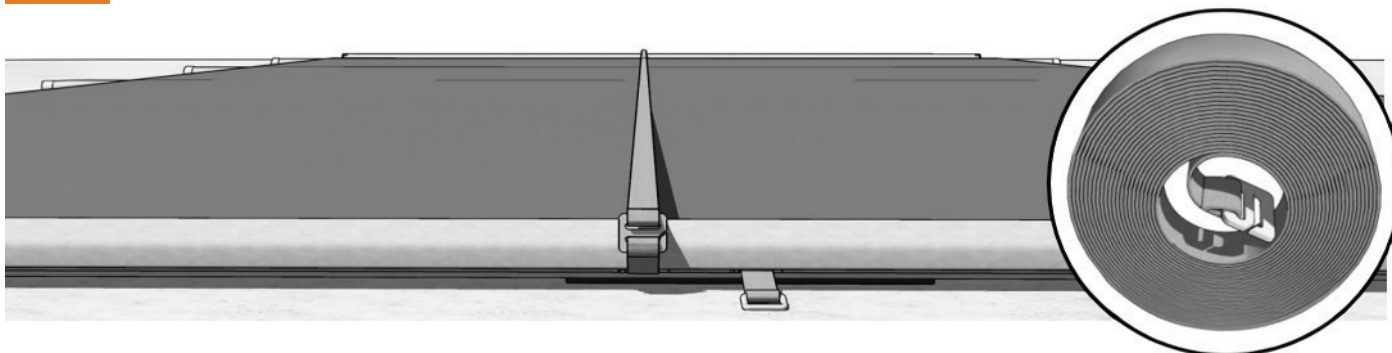


2

Put the buckles in a safe place, non-invasive with our cover. Rolling them up with the tarpaulin may damage the material!

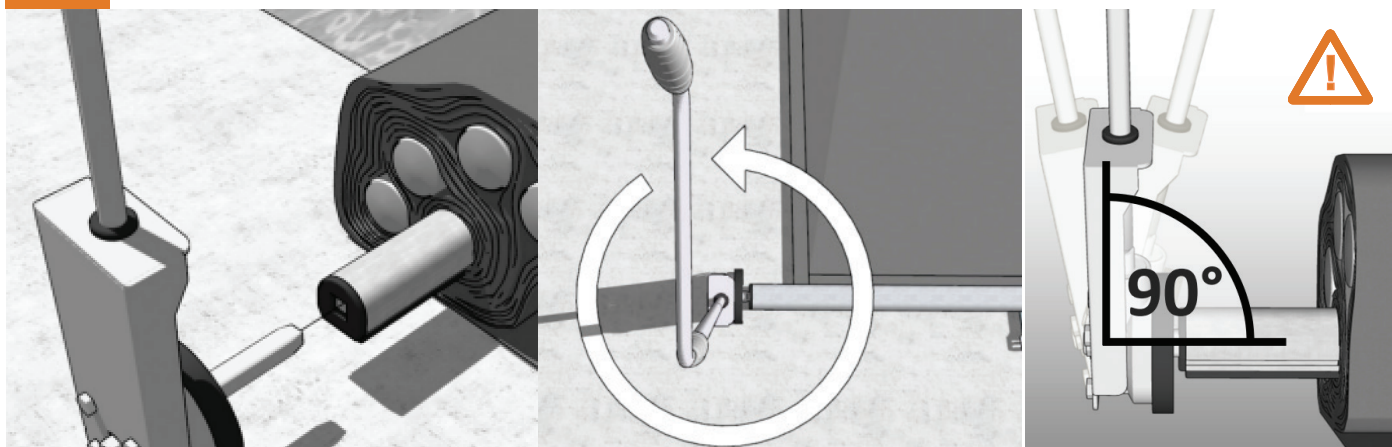
3

Place the unwinding strap in the center of our cover and pull it along its entire length (the strap will be rolled up with the cover). This will allow the tarpaulin to be rolled out efficiently in the future.



4

Roll up the cover with the crank with the gear. Follow the instructions below when using the crank. Always keep the crank out of the reach of children



Insert the crank pin into a special hole in the winding tube plug.



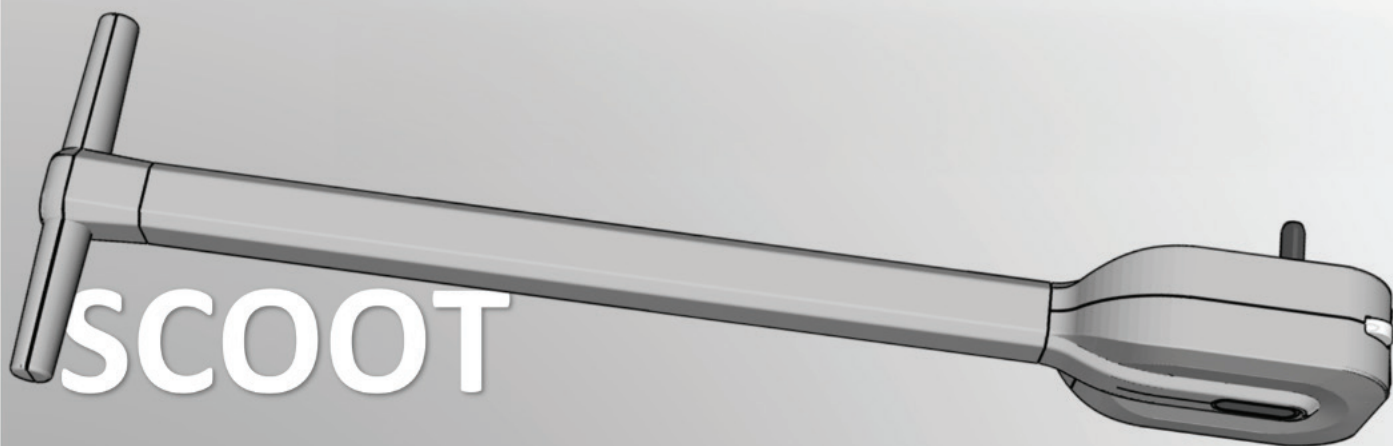
Turn the crank to fold the cover. In this case (the crank on the left side of the roller tube) you have to turn it to the left. Similarly, when you stand on the right side of the roller tube, you will turn right.

Take care to hold the crank at right angles! Too much pressure by deflecting the crank pin can damage the crank!

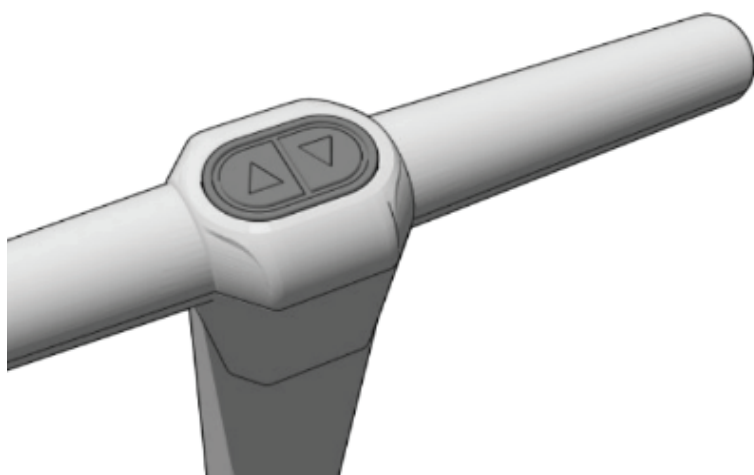
7. Elektrische accu-oproller SCOOT

1

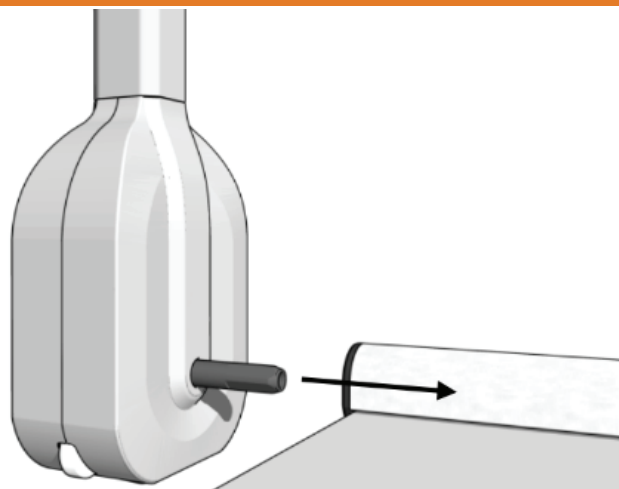
* Dedicated JUST for rolling up the covers



Battery 29 V 1.0 A, integrated in the housing. Charging: 24 V. Maximum cover size 10,50 x 5,50 m. Speed: approx. 50 seconds of winding for 10,50 m length. One battery is enough for approximately 40 cycles. Protection: IPE44 (waterproof).



The comfortable steering wheel has two buttons responsible for running the engine in in both directions.



The SCOOT accu winder works in two directions. The protruding pin should be installed in the roller tube socket and the button should be pressed.



24V charging socket safely hidden under a rubber cap.

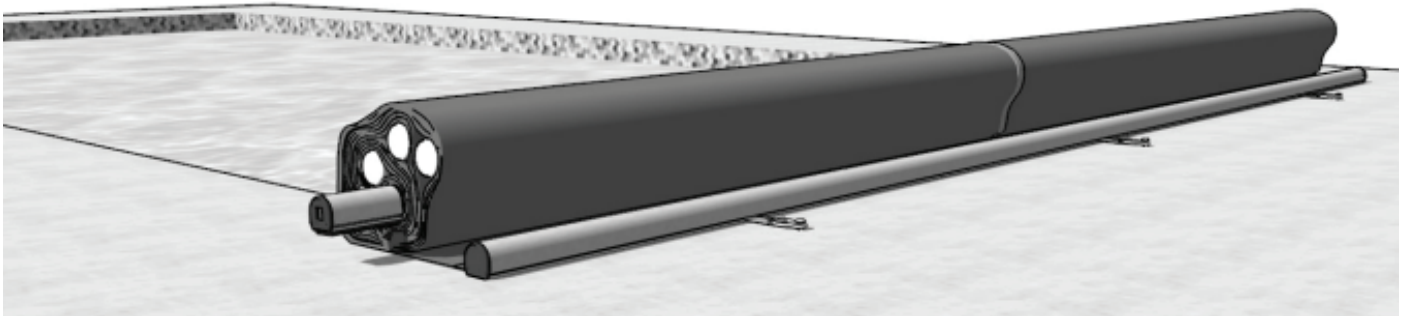
Attention!

To be used only with the original charger included in the set.

6. Unrolling Safe Cover

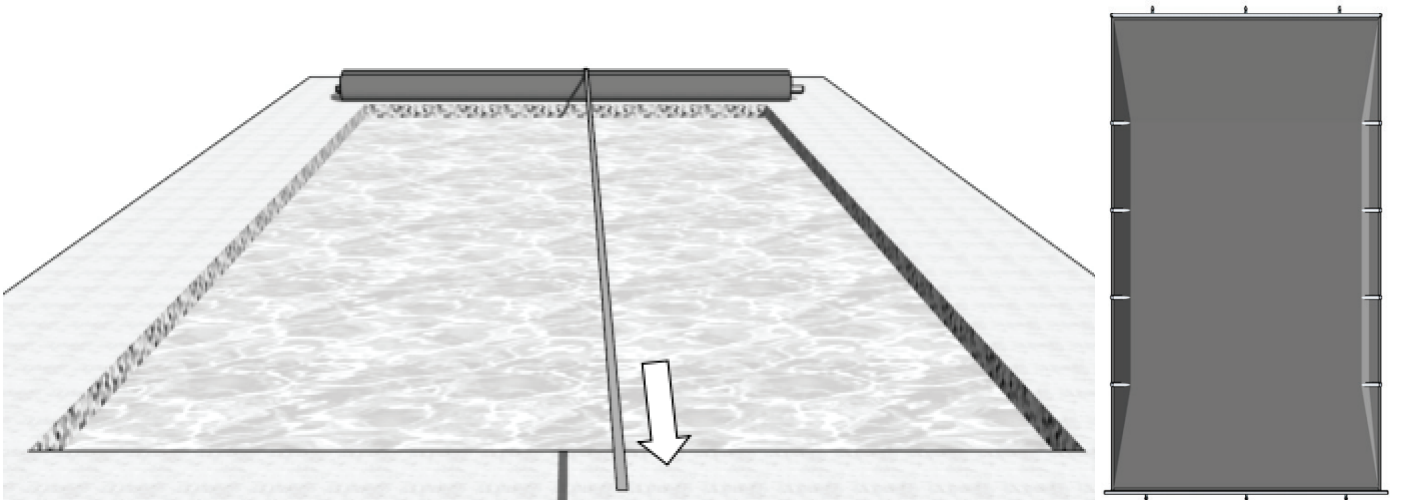
1

Before starting to unroll the cover, make sure that there are no people or things in the pool that could collide with the cover.



2

Grab the tow strap and walk with it to the opposite side of the pool. Pull sensitively, thereby unrolling the cover.



3

Attach the buckles to the cover with a hook, put the catches on the screws and stretch the cover as shown below. Remember to leave the buckles in the closed position.

