



Pictured: 'Bob' Quad Bathroom Block

Home Technology Club

Amenities Blocks

**Portable Toilets, Showers
& Accessible Bathrooms**

For more information, call (02) 4545 2599 or visit online at www.hometechclub.au

1x1 Premium EPS Bathroom

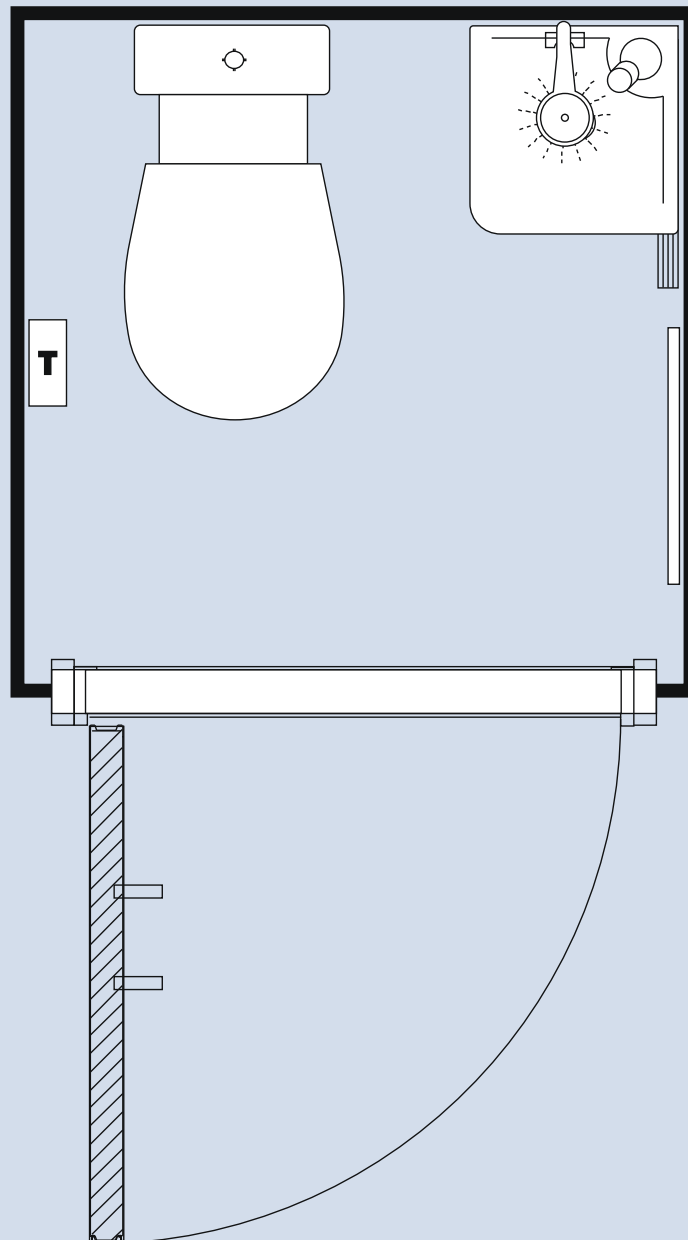
Portable Toilet & Shower Cubicle



'Lou' Single Premium EPS

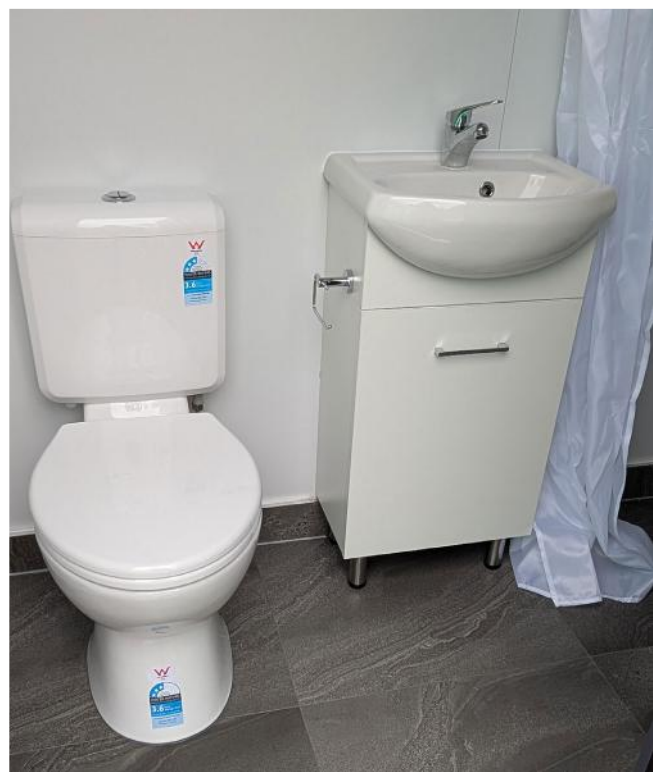
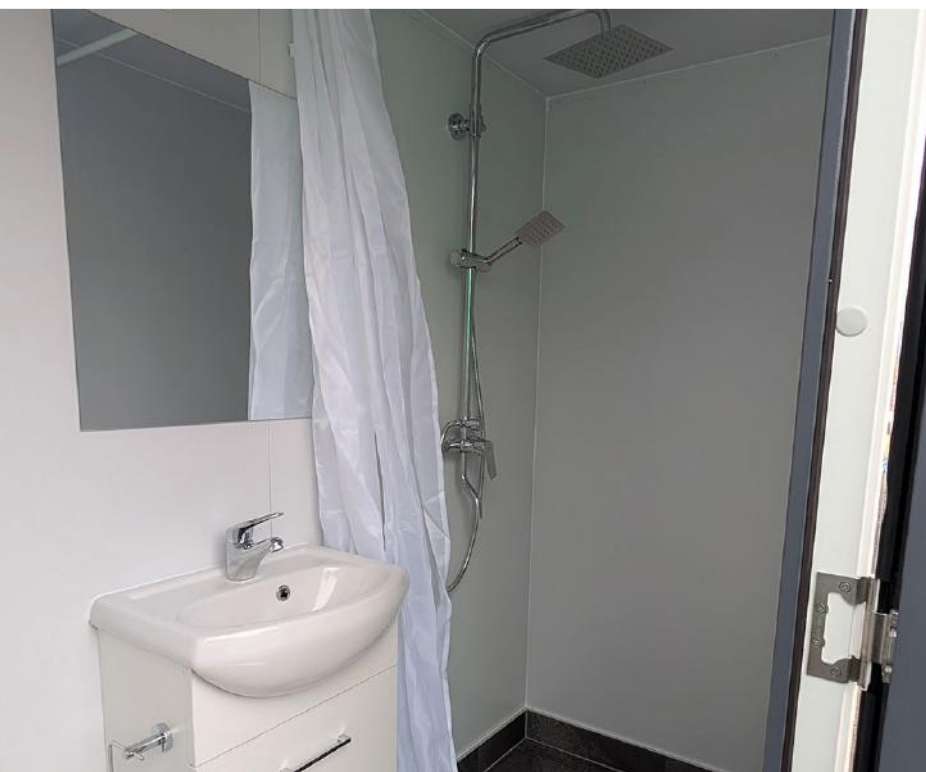
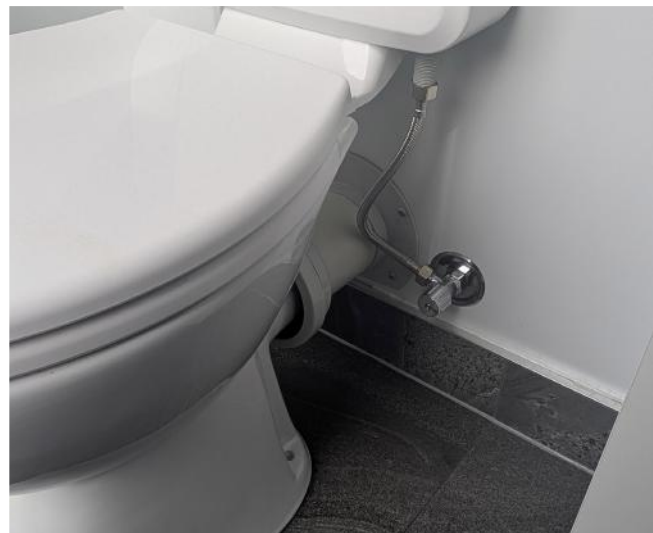
 1  1  1.2m² 1.1m (W) x 1.1m (L) x 2.34m (H)

- ✓ Ceramic Toilet
- ✓ Rainfall and Hand-Held Shower-Heads
- ✓ Basin With Hot/Cold Mixer Taps and Mirror
- ✓ Battery Powered Motion Sensor Light
- ✓ Plumbing Inlets and Outlets
- ✓ Tiled Floor (Wall tiles can be added for a fee)



2x1 Premium EPS Bathroom

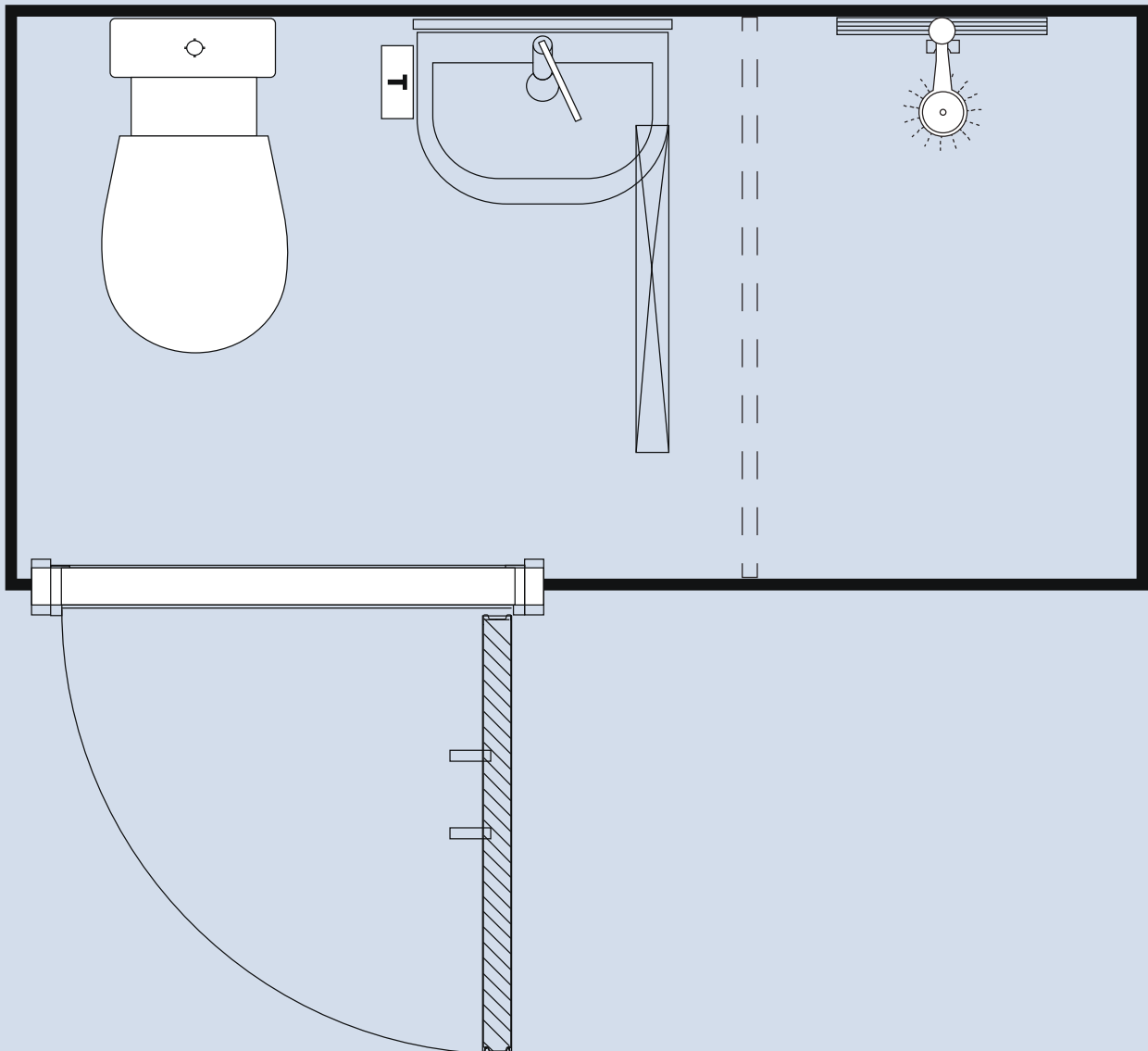
Portable Bathroom With Shower Area



'Jack' Double Premium EPS

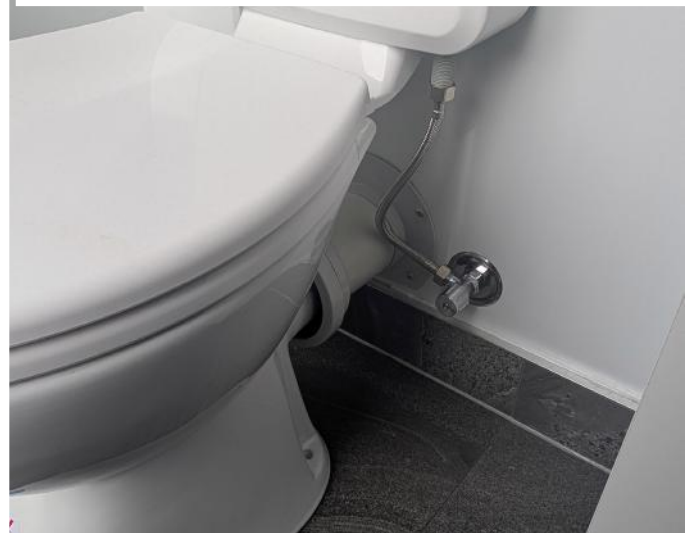
 1  1  2.4m² 2.2m (W) x 1.1m (L) x 2.34m (H)

- ✓ Ceramic Toilet
- ✓ Rainfall and Handheld Shower-Heads
- ✓ Basin With Hot/Cold Mixer Taps and Mirror
- ✓ LED Batten Light
- ✓ Plumbing Inlets and Outlets
- ✓ Tiled Floor and Shower



2x1 Deluxe EPS Bathroom

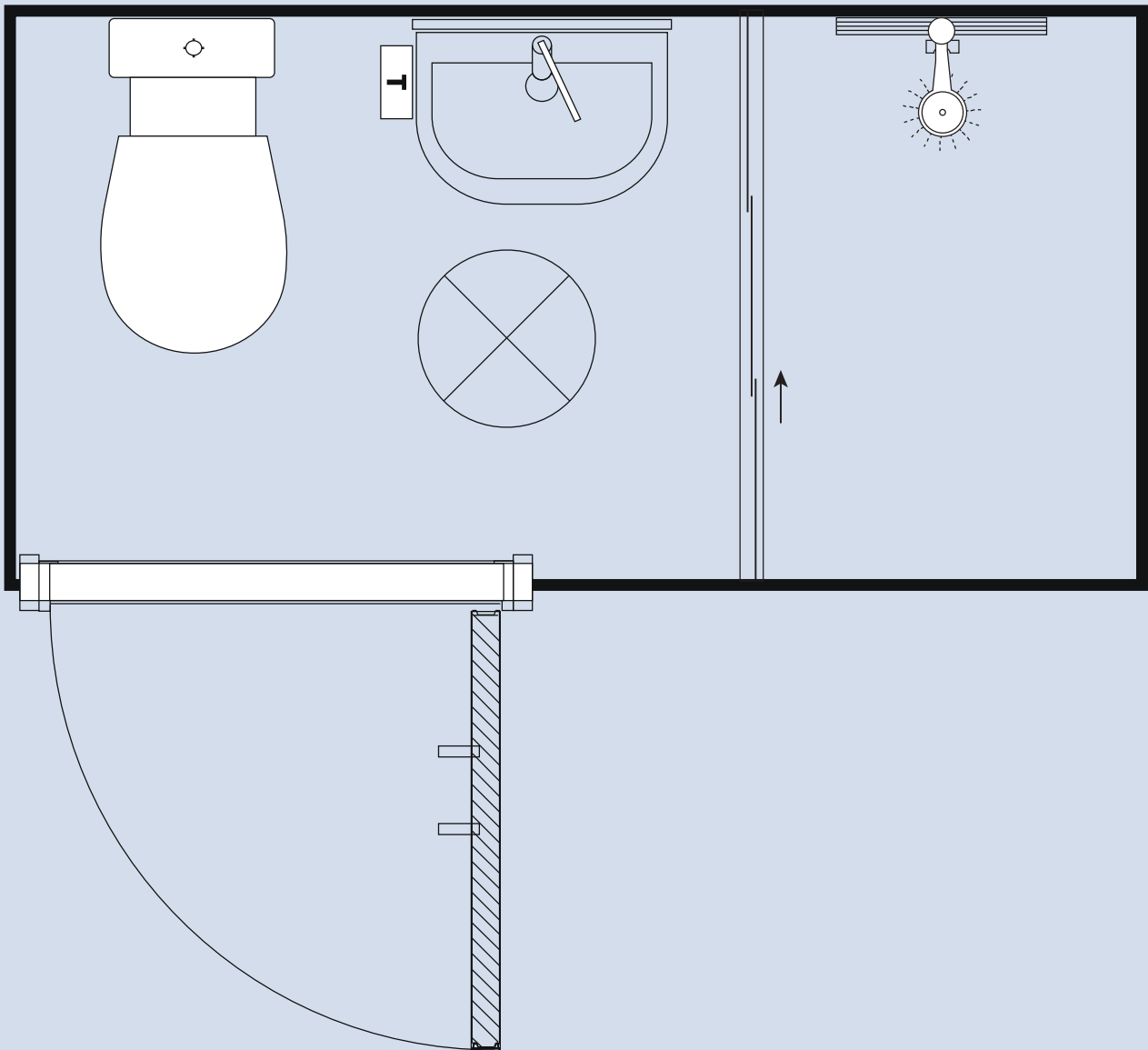
Portable Bathroom With Shower Area & Deluxe Finishes



'Dan' Double Deluxe Premium EPS

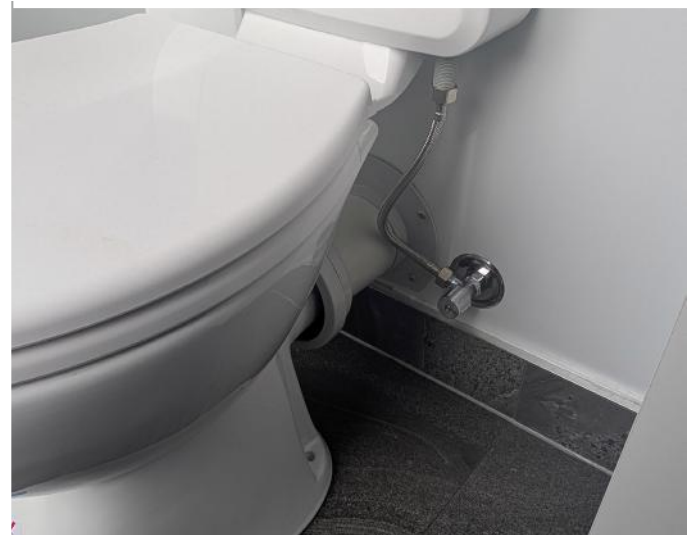
 1  1  2.4m² 2.2m (W) x 1.1m (L) x 2.34m (H)

- ✓ Ceramic Toilet
- ✓ Rainfall and Hand-Held Shower-Heads
- ✓ Basin With Hot/Cold Mixer Taps and Mirror
- ✓ 2 Coat Hooks
- ✓ LED Oyster Light
- ✓ Plumbing Inlets and Outlets
- ✓ Tiled Floor and Shower Walls
- ✓ Soap Dispenser



Dual Premium EPS Bathroom

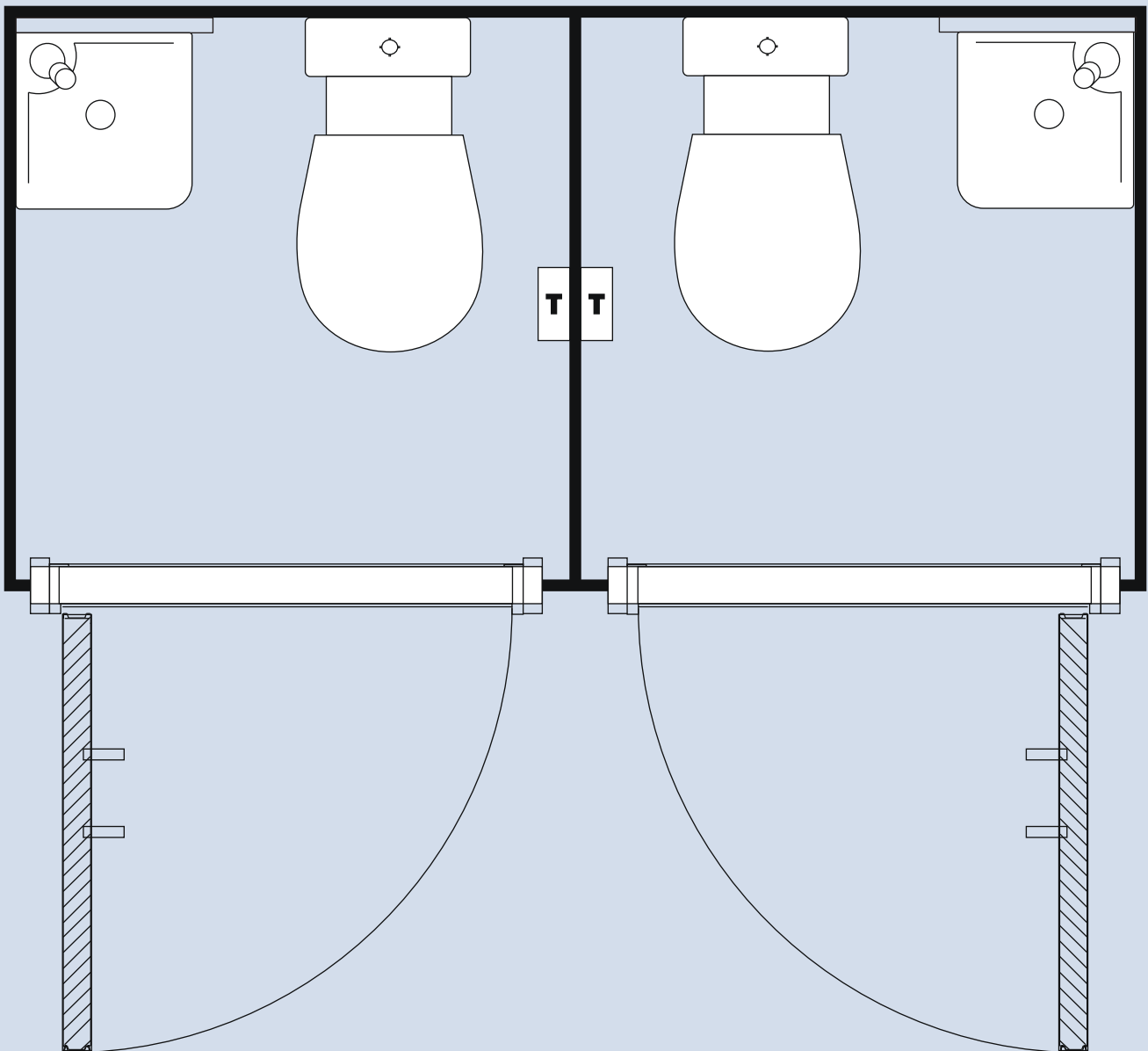
Portable Bathroom Split Into Two Identical Cubicles



'Lou' Dual Premium EPS

🚽 1 🚿 1 2.4m² 2.2m (W) x 1.1m (L) x 2.34m (H)

- ✓ Two Toilet Cubicles
- ✓ Ceramic Toilets
- ✓ Basin With Hot/Cold Mixer Taps and Mirror
- ✓ LED Oyster Lights
- ✓ Plumbing Inlets and Outlets
- ✓ Tiled Floor (Wall tiles can be added for a fee)



Accessible Bathroom Block

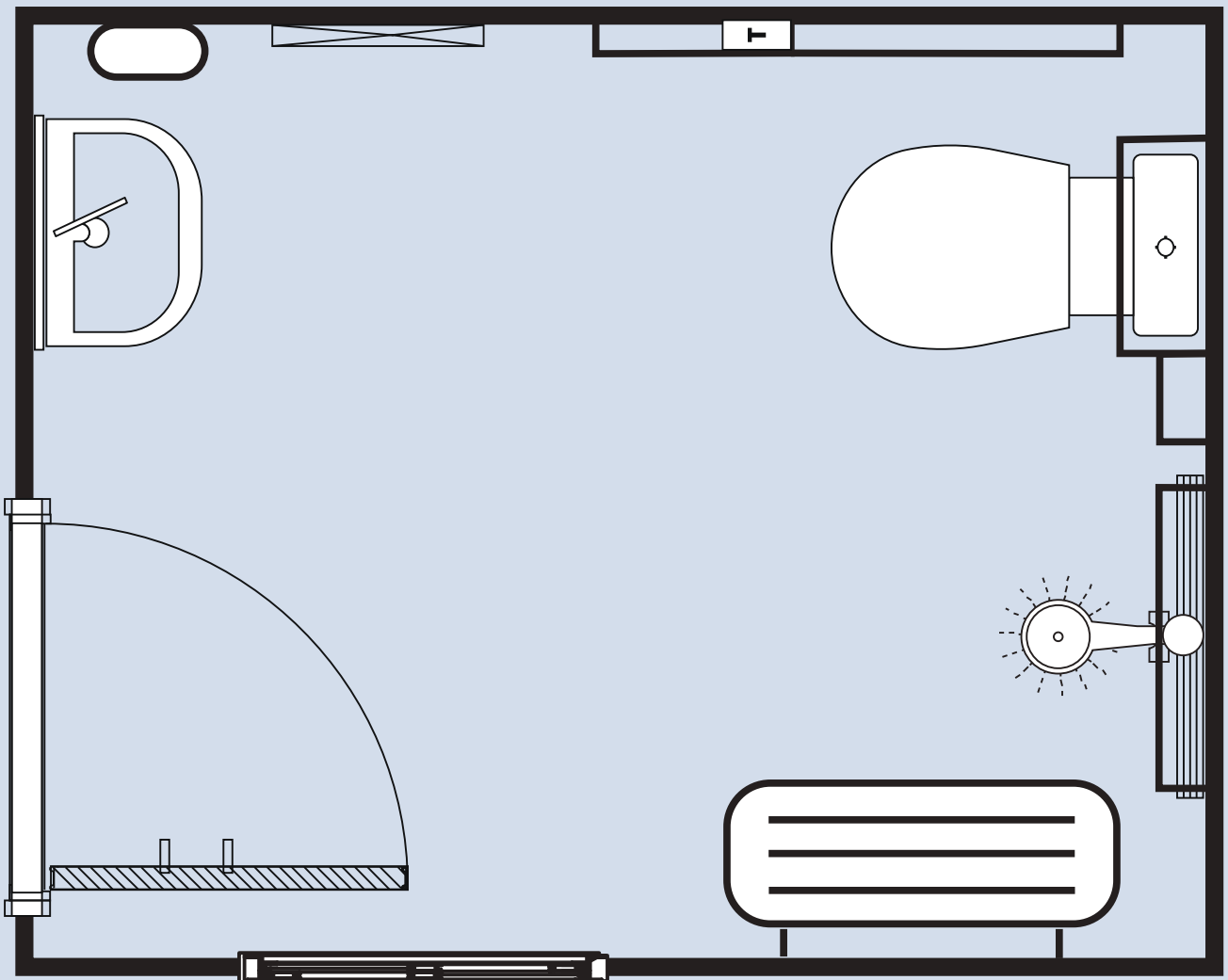
Relocatable Accessible Shower & Toilet Block



'JADE' Accessible Bathroom Block

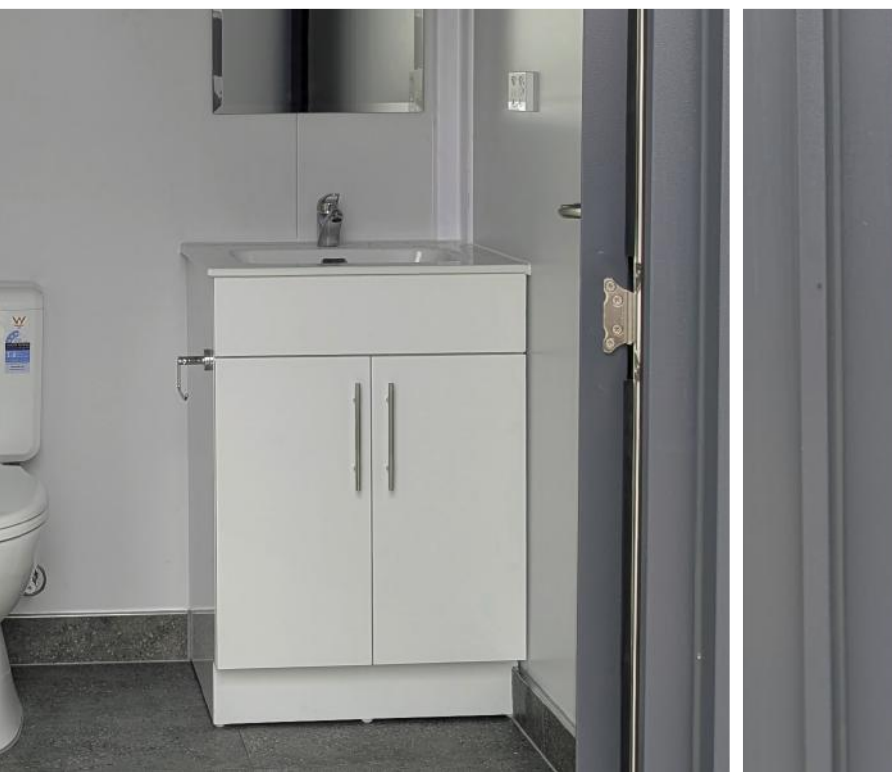
1 1 [7.4m²] 2.43m (W) x 3m (L) x 2.5m (H)

- ✓ Sewer Connect
- ✓ Ceramic Toilet
- ✓ Rainfall and Hand-Held Shower-Heads
- ✓ Basin With Taps and Mirror
- ✓ Grab Rails & Bench Seat
- ✓ Fully Tiled



Portable Split Bathroom Block

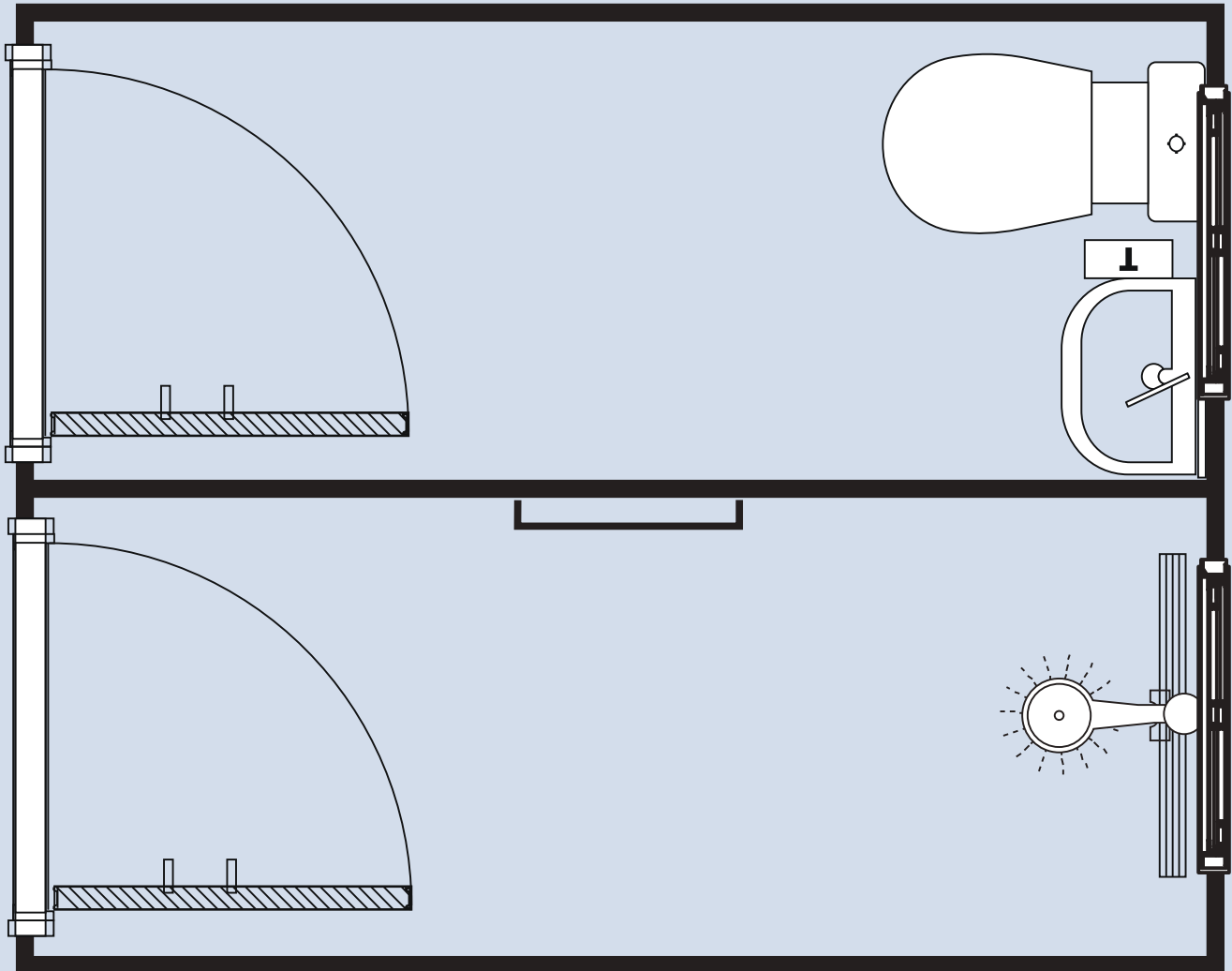
Bathroom Block With Separate Toilet & Shower Cubicles



'Bec' Split Bathroom Block

1 1 [7.4m²] 2.43m (W) x 3m (L) x 2.5m (H)

- ✓ Separate Toilet and Shower Cubicles
- ✓ LED Batten Lights
- ✓ Ceramic Toilet
- ✓ Plumbing Inlets and Outlets
- ✓ Rainfall and Hand-Held Shower-Heads
- ✓ Completely Tiled Shower Cubicle
- ✓ Basin With Hot/Cold Mixer Taps and Mirror



Mobile Bathroom Block

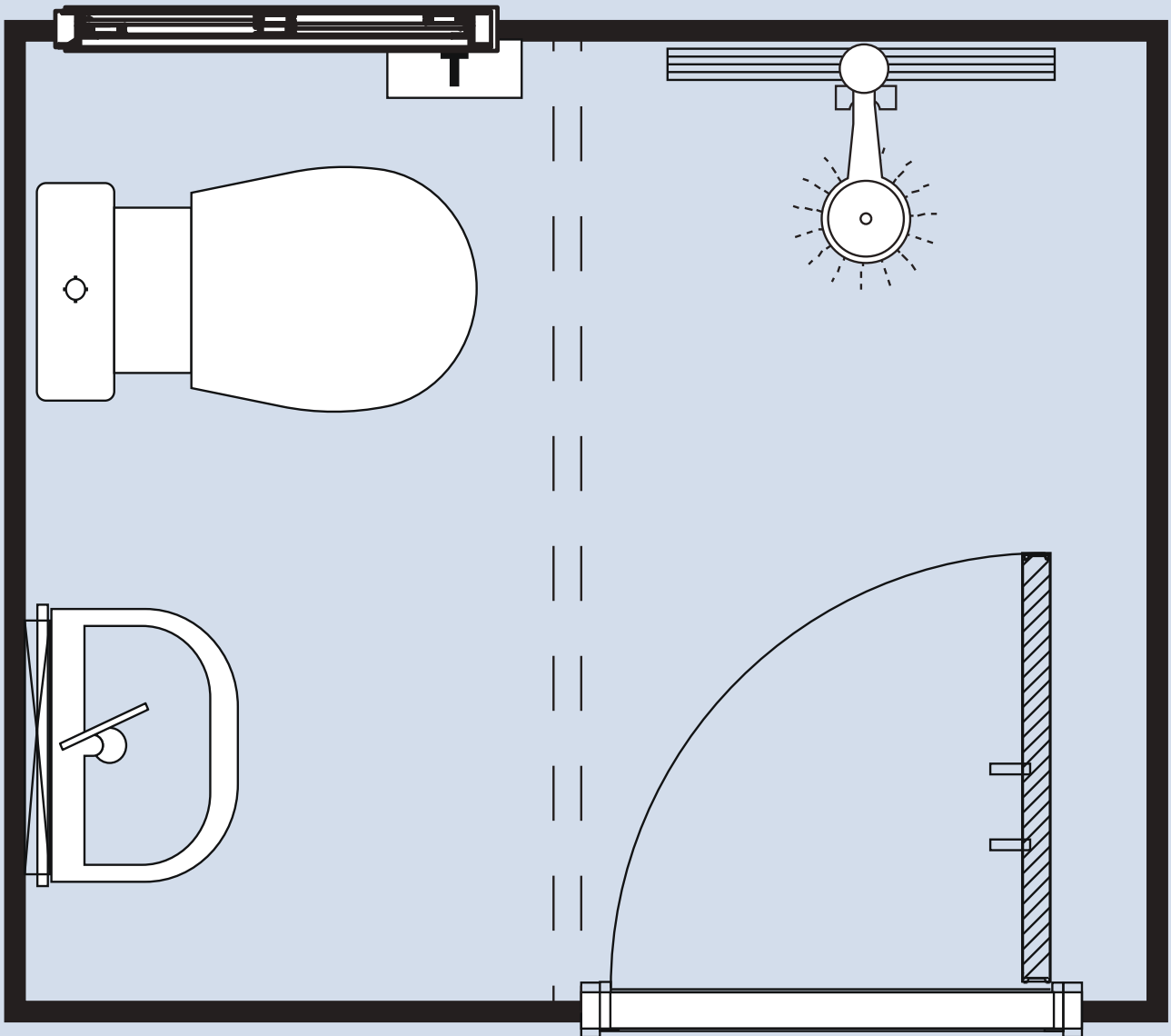
Portable Bathroom On A Trailer



'Whely' Mobile Bathroom

 1  1  4.8m² 2.2m (W) x 2.2m (L) x 2.5m (H)

- ✓ Sewer Connect
- ✓ Ceramic Toilet
- ✓ Rainfall and Hand-Held Shower-Heads
- ✓ Basin With Taps and Mirror
- ✓ Electric instant hot water system
- ✓ Unit Trailer



Quad Shower Block

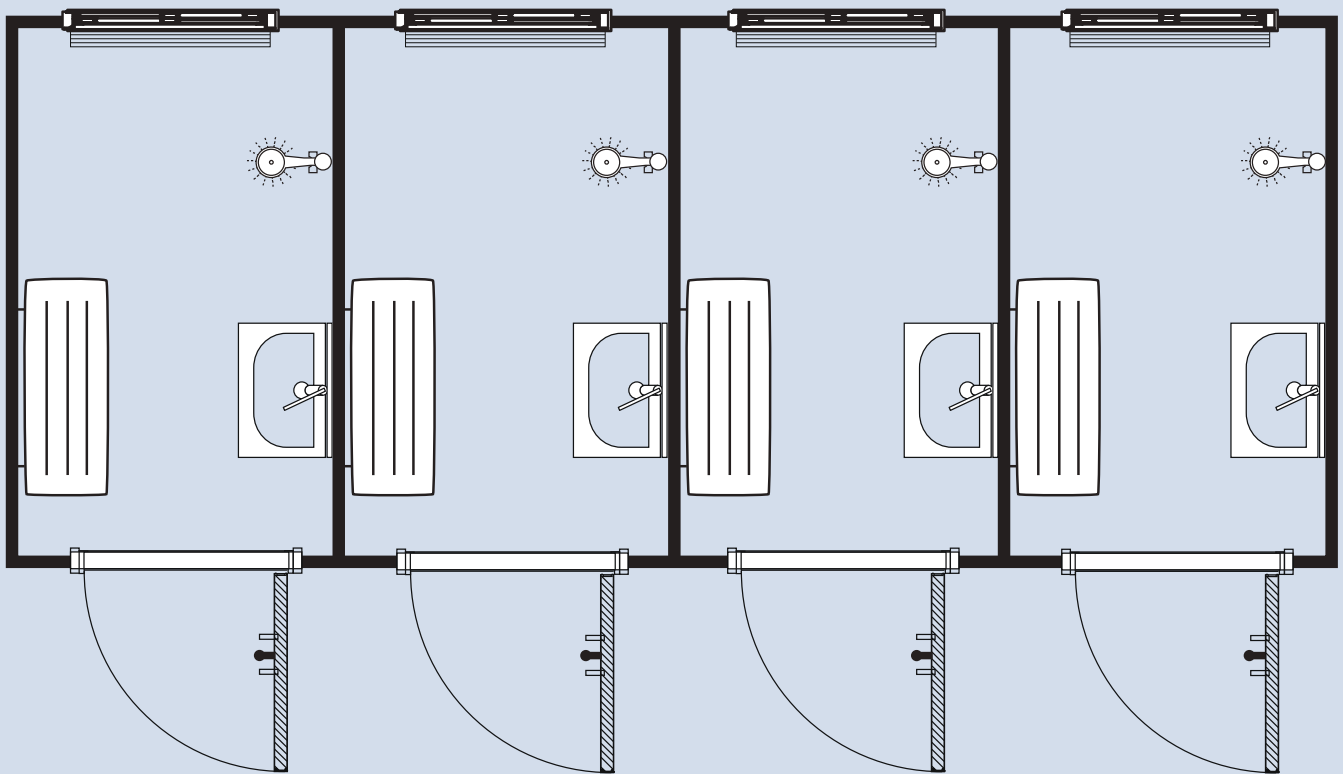
Portable Shower Block With Multiple Cubicles



'Lou' Quad Shower Block

4 14.5m² 2.43m (W) x 6m (L) x 2.79m (H)

- ✓ Sewer Connect
- ✓ Four Shower Stalls
- ✓ Rainfall and Hand-Held Shower-Heads
- ✓ Basin With Hot/Cold Mixer Taps and Mirror
- ✓ Plumbing Inlets and Outlets
- ✓ Fully Tiled



Quad Bathroom Block

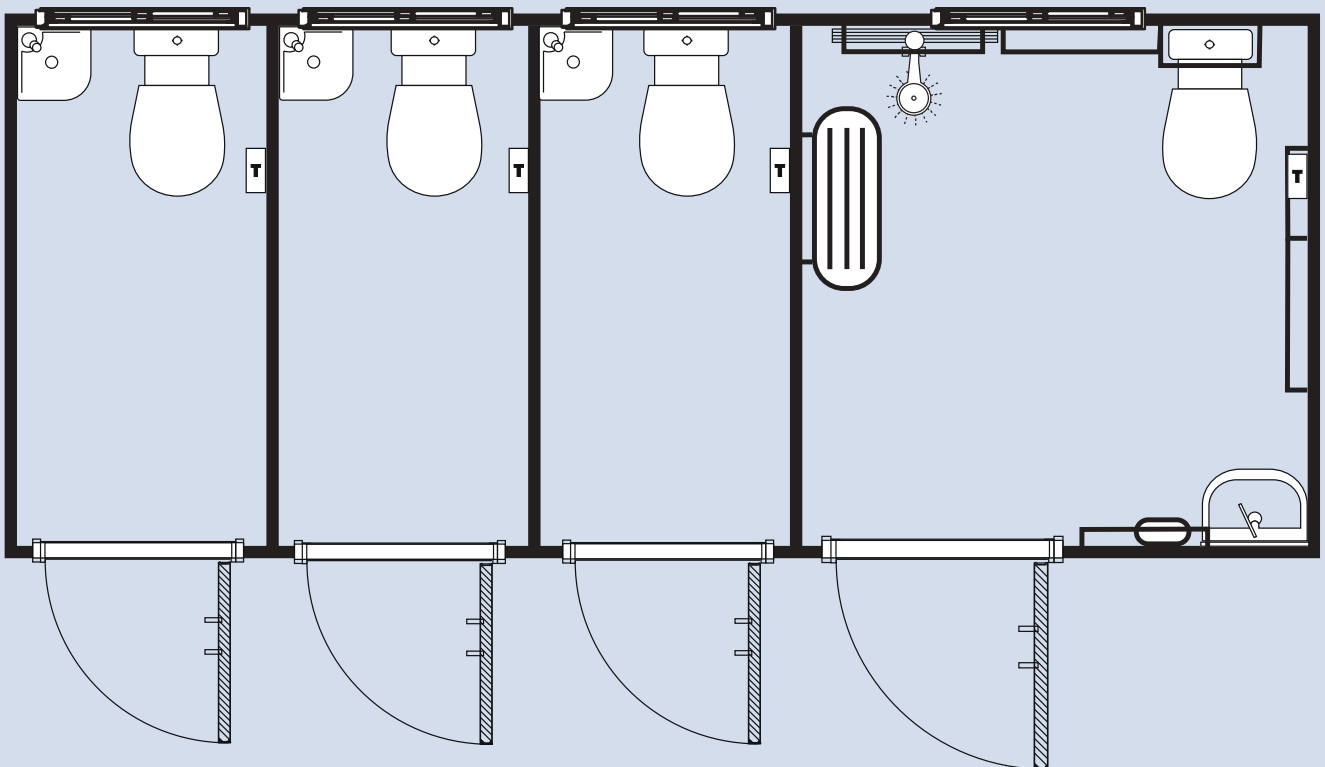
Portable Bathroom Block With Multiple Cubicles & Accessible Bathroom



'Bob' Quad Bathroom Block

4 1 14.5m² 2.43m (W) x 6m (L) x 2.79m (H)

- ✓ Sewer Connect
- ✓ Three Standard Toilet Stalls
- ✓ One Accessible Bathroom Stall
- ✓ 4 Ceramic Toilets
- ✓ 1 Rainfall and Hand-Held Shower-Heads
- ✓ Basin With Hot/Cold Mixer Taps and Mirror
- ✓ Plumbing Inlets and Outlets
- ✓ Tiled Floor (Wall tiles can be added for a fee)



Quin Toilet Block

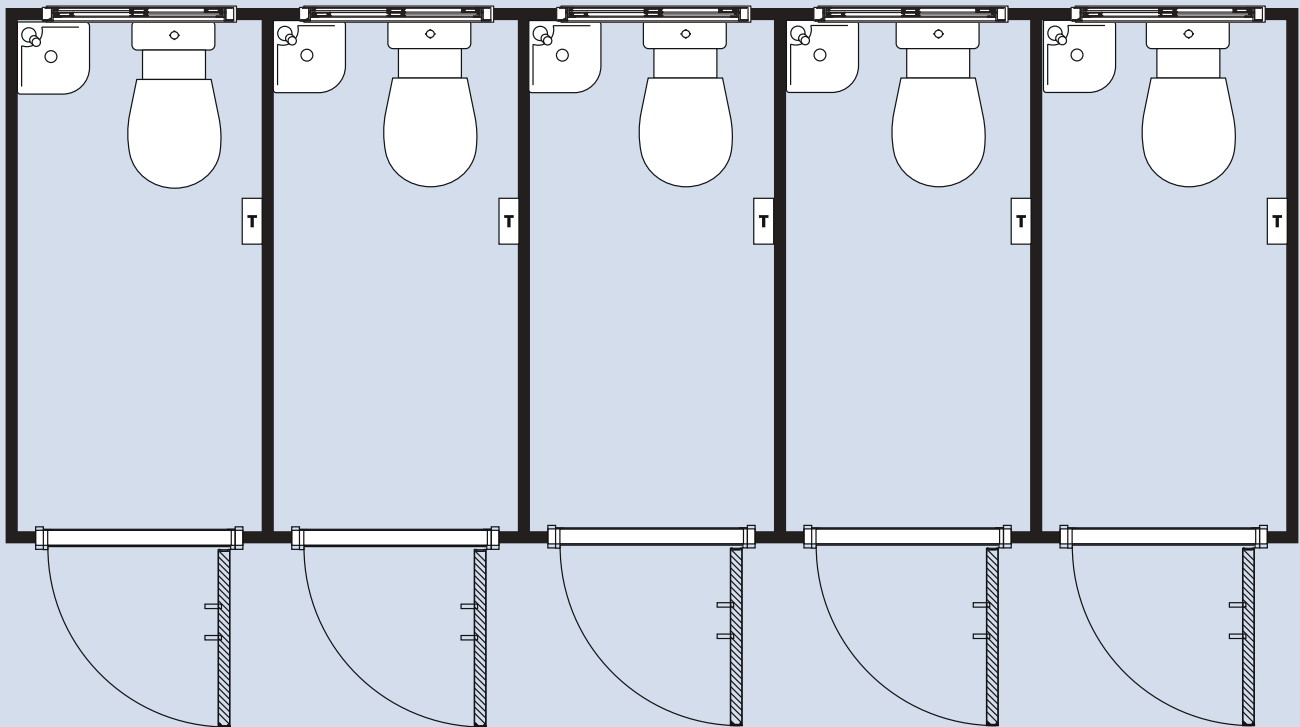
Portable Bathroom Block With Multiple Cubicles



'Lou' Quin Bathroom Block

5  2.43m (W) x 6m (L) x 2.79m (H)

- ✓ Sewer Connect
- ✓ Five Standard Toilet Stalls
- ✓ Ceramic Toilets
- ✓ Basins With Hot/Cold Mixer Taps and Mirrors
- ✓ Plumbing Inlets and Outlets
- ✓ Tiled Floor (Wall tiles can be added for a fee)

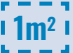


Portaloos

Portable Bathroom With Waste Tank



'Fred' Blue Portaloo

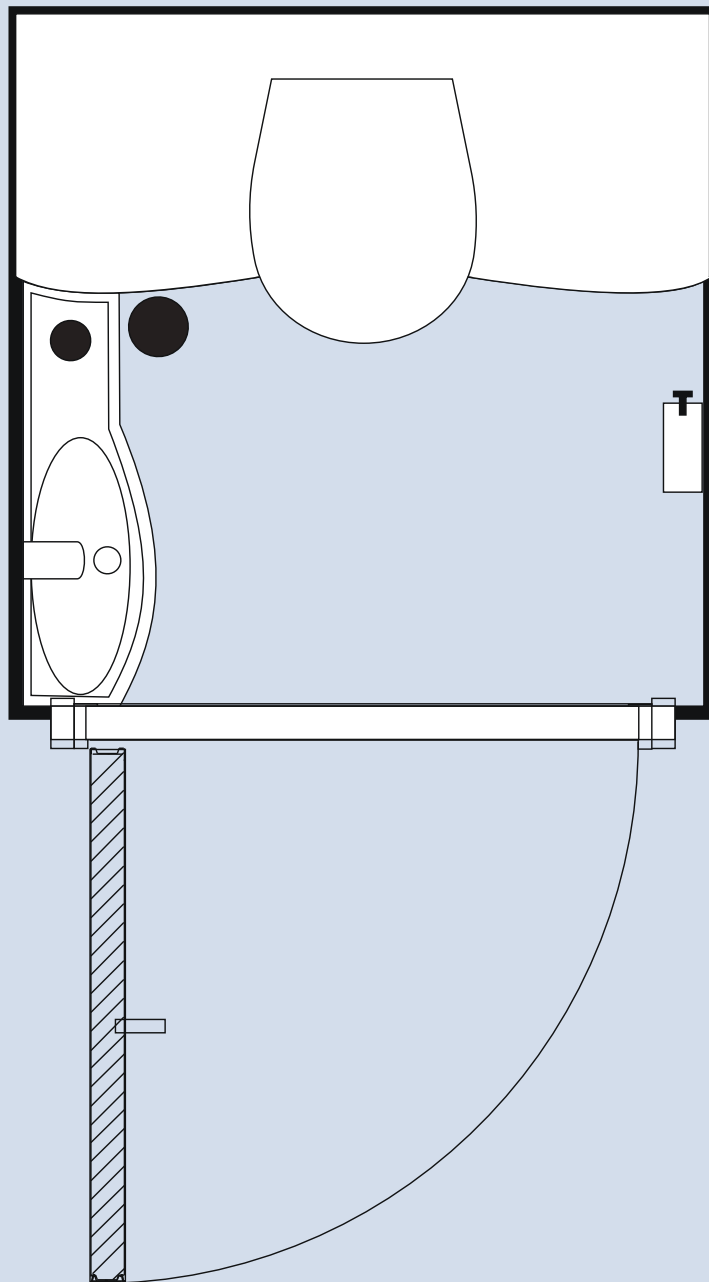
1  1m (W) x 1m (L) x 2.3m (H)

✓ 210L Waste Tank With 80L Water Tank

✓ Washing Basin With Sink

✓ Toilet

✓ Ventilation Pipe and Foot Pumps



Portaloos

Portable Bathroom With Sewer Connect



'Mick' Grey Portaloo

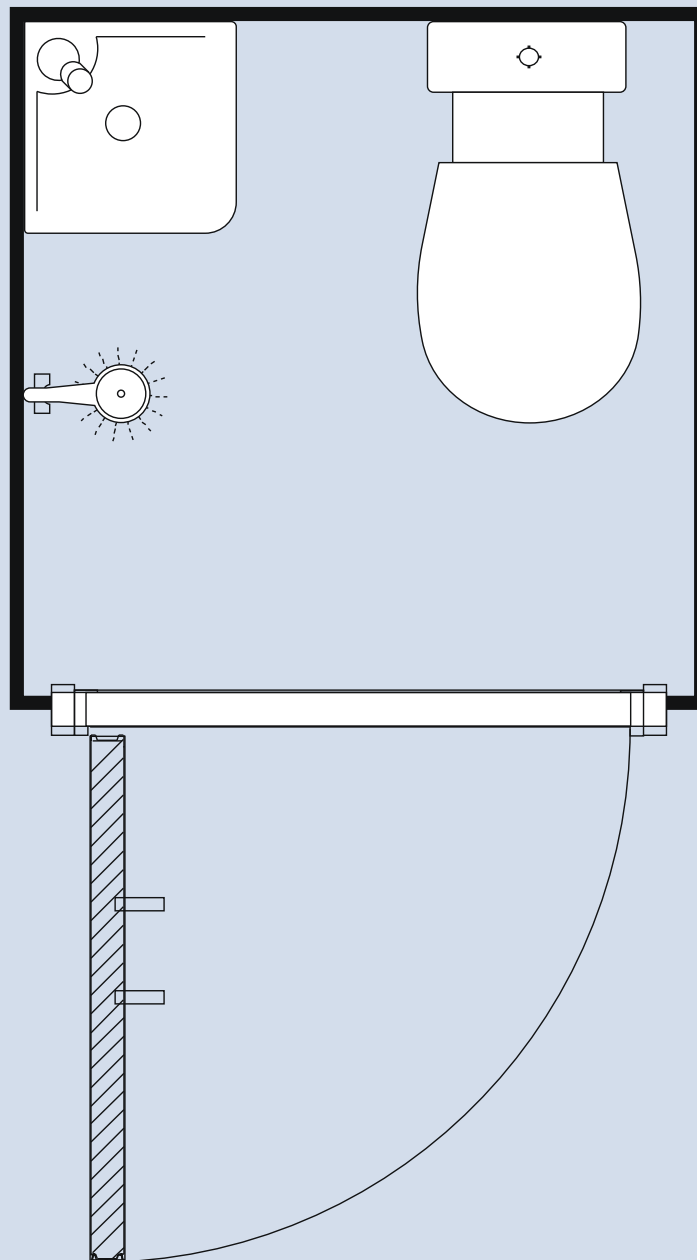
 1  1  1.3m² 1.15m (W) x 1.15m (L) x 2.3m (H)

✓ Sewer Connect

✓ Ceramic Toilet

✓ Rainfall and Hand-Held Shower-Heads

✓ Stainless Steel Basin With Hot/Cold Mixer Tap



System & Utilities

Portable Bathrooms

Septic Systems

Available in a two capacities, 1500L and 2500L, our tanks are available as holding tanks, absorption trench tanks and give you the freedom to choose the perfect solution for your residential property or off-grid installation.



Water Storage & Pumps

- Bushmans tanks up to 20,000L for efficient water harvesting
- High-quality Italian-made Lowara pumps with Genyo electronic controllers
- Masartor pumps built for dependable performance in rural and off-grid environments



Hot Water Systems

Choose from gas or electric systems tailored to your unit size and demand, including continuous flow units and advanced heat-pump models for maximum efficiency.



Energy Solutions

Solar setups tailored to your energy and off-grid needs.

- Panel systems up to 7kW
- Battery storage systems up to 20kWh



Electrical & Plumbing

Portable Bathrooms

Our portable bathroom units are built for quick setup and flexible use across any site. Some models are pre-wired to Australian Standards with plug-and-play power, while others operate without electricity. Options support on-grid, off-grid, or hybrid use, with either self-contained waste tanks or direct sewer connection available.

Electrical - What's Included

- Certified light switches, power outlets, LED down-lights
- Internal switchboard with safety circuit breakers
- Full internal cabling, fitted and tested prior to delivery
- Industrial-grade exterior plug-in power connection (like a caravan)



Plumbing- What's Included

- All hot and cold water and waste lines pre- installed
- Exterior plumbing outlets for fast connection
- Flexible placement of inlets/ outlets to suit your land and layout
- Waterproofing done by specialists to ensure long-term performance
- Compatible with both council connections and off-grid setups



Final connection must be completed by a licensed electrician & plumber.

Your Build & Delivery Process

Portable Bathrooms

1. Choose Your Unit

Begin by choosing the bathroom type and size that best suits your needs, then let us know any customisations you'd like. Once finalised, we'll prepare and provide a detailed written quote.

2. Place Your Order

To confirm your order for a bathroom, a 20% deposit is required. This payment secures your position in our production queue and guarantees that your build timeline is reserved.

3. We Build, You Prep The Site

While your unit is being built to your specifications in our Sydney manufacturing facility, it's important to prepare your site in advance. For multi-block units, this typically involves installing level footings, such as besser blocks, a concrete slab, or another suitable foundation.

4. Your Unit Is Ready For Transport

Once construction is complete, your unit is delivered directly to your site. For smaller units like 'Lou' 'Fred' or 'Mick', you're welcome to pickup from our yard.

5. Connect Services

Most units require licensed trades to connect power, water and sewage, with guidance provided ahead of time to streamline the process.

6. Enjoy

Once your unit has been delivered, installed, and fully connected, everything is ready for immediate use. You can now enjoy a Australian built, reliable, and professionally finished bathroom solution.

Consult with your local council about required permits before purchase



Proven Across Real Projects

Australian Owned • Made In Sydney • Built To Last



About Home Technology Club

Portable Bathroom Solutions Built for Australian Conditions

Home Technology Club specialises in portable bathroom blocks and transportable facilities for residential, commercial, rural, and event use across Australia.

Backed by over 48 years of industry experience through the Cornick Group, we deliver durable, easy-to-deploy solutions ranging from compact single units to custom multi-block configurations. Manufactured in Sydney using quality materials and certified components, our units are available in on-grid, off-grid, and hybrid setups, with customisation options to suit each project.

Australian Owned

Proudly family owned and operated in Australia

Made In Sydney

Built locally in our Windsor, New South Wales facility

Built To Last

Designed for long-term use with a durable, practical construction

- Modular Container Homes
- Portable Offices & Site Buildings
- Temporary Accommodation Units

- Portable Toilet & Shower Blocks
- Off-Grid Power, Water & Waste Solutions
- Custom Layouts & Configurations

Custom add-ons and configurations available to suit your site requirements



More Than Portable Bathrooms

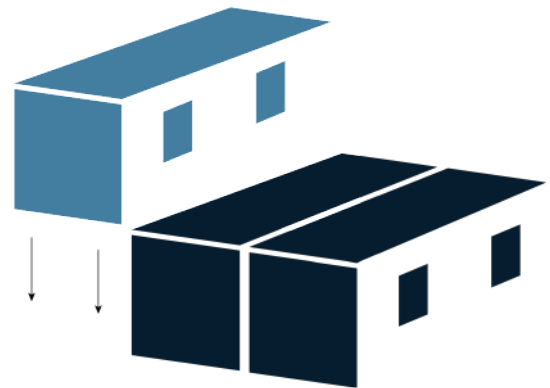
Explore Our Modular Living Range



Off-Grid Add-Ons Available



Customisable Layouts



We design and build high-quality modular buildings, manufactured in Sydney. From compact studio units to multi-module layouts, our JULIET series delivers flexible, durable solutions for residential, commercial and off-grid living.

**Ask Us About Our
Modular Series Brochure!**



Home Technology Club

Modular Series

Container Homes

For more information, call (02) 4545 2699 or visit online at www.hometechclub.au

Visit Australia's Largest Display Village for Modular Homes & Portable Bathrooms

59 Mulgrave Rd, Windsor NSW 2756, Australia

Contact us:

P: **(02) 4545 2599**

E: **sales@hometechclub.au**

www.hometechclub.au



Home Technology Club (HTC)
is a company of Cornick Pty Ltd.
Copyright 2026, all rights reserved HTC.