

EUROBOOR

# BATTERY POWERED MAGNETIC DRILLS

## EBM.36+LP/P-18V Battery Magnetic Drill Low Profile

36mm Capacity  
1000w Motor Power  
Compatible with the Makita platform  
(Skin Only)

Code: EBM.36+LP/P-18V



See the  
EBM.36+LP/P-18V  
in action

## EBM.36/P-18V Battery Magnetic Drill

36mm Capacity  
1000w Motor Power  
Compatible with the Makita platform  
(Skin Only)

Code: EBM.36/P-18V



See the  
EBM.36/P-18V  
in action

## EBC1-AU Battery Charger

3Ah at 18V for quick charging  
Compatible with the Makita platform  
For Lithium-ion 5Ah  
and 9Ah batteries.

Code: EBC1-AU



## EB.18V-9A Battery 18V 9Ah

Recharges in 180 minutes  
Compatible with the Makita platform  
For Battery Powered Mag Drills

Code: EB.18V-9A

# SAVE 38%

# WITH BULK 10+1 FREE BLADE PACKS



**TUFF** MULTI-TOOL  
BLADES

**TOUGH  
ENOUGH.**

## BI-METAL

### NAIL BUSTER



WOOD WITH NAILS  
NON-FERROUS METALS

### NAIL BUSTER EXTREME



WOOD WITH NAILS  
NON-FERROUS METALS, STEEL

### WOOD & METAL



WOOD WITH NAILS  
NON-FERROUS METALS

### WOOD & METAL



WOOD WITH NAILS  
NON-FERROUS METALS

CARD	3 PACK	10+1 PACK
WN3440-1	WN3440-3	WN3440-10

CARD	3 PACK	10+1 PACK
WN3540-1	WN3540-3	WN3540-10

CARD	3 PACK	10+1 PACK
WN2860-1	WN2860-3	WN2860-10

CARD	3 PACK	10+1 PACK
WN4478-1	WN4478-3	WN4478-10

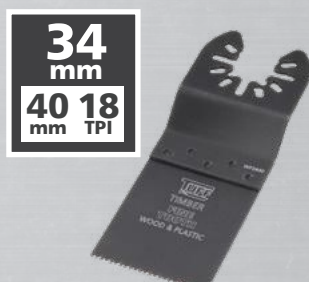
## TIMBER

### WOOD & METAL



WOOD WITH NAILS  
NON-FERROUS METALS

### FINE TOOTH



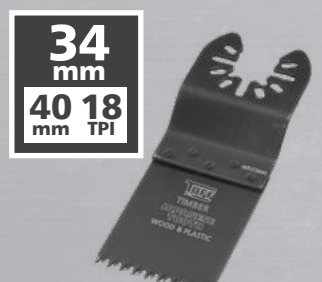
WOOD & PLASTIC

### FINE TOOTH



WOOD & PLASTIC

### JAPANESE TOOTH



WOOD & PLASTIC  
FAST CUT

CARD	3 PACK	10+1 PACK
WN4560-1	WN4560-3	WN4560-10

CARD	3 PACK	10+1 PACK
WP3440-1	WP3440-3	WP3440-10

CARD	3 PACK
WP4478-1	WP4478-3

CARD
WPJT3440-1

## TIMBER

### FINE TOOTH

**35 mm**  
**55 18 mm TPI**

PLUNGE CUT

WOOD & PLASTIC

CARD	3 PACK
WPSL3555-1	WPSL3555-3

### JAPANESE TOOTH

**35 mm**  
**50 14 mm TPI**

PLUNGE CUT

WOOD & PLASTIC

CARD	3 PACK
WPSLJT3550-1	WPSLJT3550-3

### JAPANESE TOOTH

**65 mm**  
**50 14 mm TPI**

PLUNGE CUT

WOOD & PLASTIC

CARD
WPSLJT6550-1

## TRADESMEN SET - 3 PIECE



STARLOCK  
MADE IN GERMANY



TIMBER WOOD & PLASTIC  
BI-METAL WOOD & METAL

CONTENTS		CODE
1x TIMBER FINE TOOTH	WPSL3555	MT3TRSL
1x TIMBER JAPANESE TOOTH	WPSLJT3550	
1x BI-METAL WOOD & METAL	WNSL4455	

## BI-METAL

### NAIL BUSTER

**35 mm**  
**50 19 mm TPI**

WOOD WITH NAILS  
NON-FERROUS METALS

CARD	3 PACK
WNSL3550-1	WNSL3550-3

### NAIL BUSTER EXTREME

**35 mm**  
**45 20 mm TPI**

TUNGSTEN  
CARBIDE  
TEETH

WOOD WITH NAILS  
NON-FERROUS METALS, STEEL

CARD	3 PACK
WNSL3545-1	WNSL3545-3

### WOOD & METAL

**44 mm**  
**55 19 mm TPI**

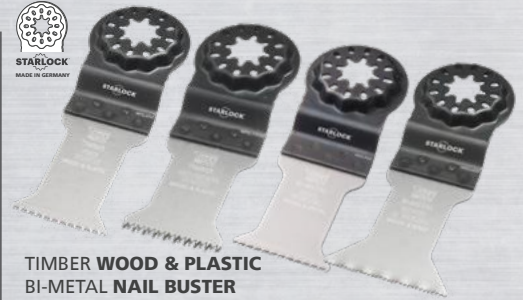
WOOD WITH NAILS  
NON-FERROUS METALS

CARD	3 PACK
WNSL4455-1	WNSL4455-3

## TRADESMEN SET - 4 PIECE



STARLOCK  
MADE IN GERMANY



TIMBER WOOD & PLASTIC  
BI-METAL NAIL BUSTER

CONTENTS		CODE
1x TIMBER FINE TOOTH	WPSL3555	MT4TRSL
1x TIMBER JAPANESE TOOTH	WPSLJT3550	
1x BI-METAL NAIL BUSTER	WNSL3550	
1x BI-METAL WOOD & METAL	WNSL4455	

## TRADESMEN SET 3 PIECE



TIMBER WOOD & PLASTIC  
BI-METAL WOOD & METAL

CONTENTS		CODE
1x TIMBER JAPANESE TOOTH	WPJT6842	MT3TR
1x TIMBER FINE TOOTH	WP4478	
1x BI-METAL WOOD & METAL	WN2860	

## TRADESMEN SET 4 PIECE



TIMBER WOOD & PLASTIC  
BI-METAL NAIL BUSTER

CONTENTS		CODE
1x TIMBER JAPANESE TOOTH	WPJT6842	MT4TR
1x TIMBER FINE TOOTH	WP3440	
1x BI-METAL WOOD & METAL	WN2860	
1x BI-METAL NAIL BUSTER	WN3440	

## ELECTRICIANS SET 4 PIECE



TIMBER WOOD & PLASTIC  
BI-METAL NAIL BUSTER

CONTENTS		CODE
1x TIMBER FINE TOOTH	WP3440	MT4EL
1x TIMBER JAPANESE TOOTH	WPJT3440	
1x BI-METAL WOOD & METAL	WN2860	
1x BI-METAL NAIL BUSTER	WN3440	

## PLUMBERS SET 4 PIECE



TIMBER WOOD & PLASTIC  
BI-METAL NAIL BUSTER

CONTENTS		CODE
1x BI-METAL WOOD & METAL	WN6842	MT4PL
1x BI-METAL WOOD & METAL	WN2860	
1x TIMBER FINE TOOTH	WP3440	
1x TIMBER JAPANESE TOOTH	WPJT3440	



UNIVERSAL  
SHANK

Fits the majority of non-Starlock multi-tools:

DeWalt®  
Stanley®  
Black&Decker®  
Milwaukee®  
Ridgid®  
Ryobi®  
Bosch®  
Dremel®  
Fein®  
Makita®  
Rockwell®  
plus more.



STARLOCK  
MADE IN GERMANY

Fits the majority of Starlock multi-tools:

Bosch®  
Fein®  
Milwaukee®  
Ridgid®  
Rockwell®  
Makita®  
plus more;  
as well as:  
Starlock PlusTM  
Starlock MaxTM

# DRILL CONCRETE

SAFER • CLEANER • FASTER  
HEALTHIER

# DUSTLESS



## Dustless SDS Plus & SDS MAX Masonry Drills

The TUFF SDS PLUS & SDS MAX DUSTLESS DRILL BITS have been designed for use in SDS PLUS & SDS MAX rotary hammer impact drills.

**TOUGH ENOUGH.**



<p>No dust, no messy workspaces</p>	<p>Safer &amp; healthier environments</p>	<p>Quicker &amp; more efficient results</p>
-------------------------------------	---	---

### SDS MAX

Dia. mm	OAL mm	CODE
14	600	TDSXZ14600
16	600	TDSXZ16600
18	600	TDSXZ18600
20	600	TDSXZ20600
22	600	TDSXZ22600
24	600	TDSXZ24600
25	600	TDSXZ25600
28	600	TDSXZ28600
30	600	TDSXZ30600
32	600	TDSXZ32600
35	600	TDSXZ35600

### SDS PLUS

Dia. mm	OAL mm	CODE
8	270	TDSP080270
10	270	TDSP100270
12	320	TDSP120320
14	370	TDSP140370
16	370	TDSP160370
18	370	TDSP180370
20	370	TDSP200370
24	370	TDSP240370

**TUFF DUSTLESS DRILL BITS** enables dust-free drilling while complying with the common, stricter standards for health protection.



# LONG SERIES REDUCED SHANK HSS DRILL BITS

**TOUGH ENOUGH.**

600mm Resizable Shank

Blue finish HSS



Ideal for the widest range of materials:

**S** Steel    **W** Wood    **P** Plastic    **SS** Stainless Steel    **HS** Hardened Steel

Dia. mm	OAL mm	CODE
14	600	TLSR14600
16	600	TLSR16600
18	600	TLSR18600
20	600	TLSR20600
22	600	TLSR22600
24	600	TLSR24600
26	600	TLSR26600

The TUFF LONG SERIES REDUCED SHANK DRILL BITS have been designed for long and hard to reach applications. Their resizable shank make them versatile and adaptable to almost any workspace while their construction gives a quality finish covering a wide range of surfaces and materials.



**BULK**  
Supplied in hangable tube



# STEEL STINGER

CARBIDE TEETH BLADE

Experience unmatched performance and versatility with the TUFF TCT Tooth Reciprocating Saw Blades

**TOUGH ENOUGH.**



- **Welded TCT Teeth** for cutting hard materials like steel, stainless, cast iron, reinforcing bars, and high-strength steels
- **50X longer cutting life** than standard Bi-Metal blades in extreme metal cutting applications
- **Straighter cuts, less vibration** due to increased blade body height.

**152 mm**  
1.25 mm **18** TPI

CRT618-1

**152 mm**  
1.25 mm **8** TPI

CRT608-1

**228 mm**  
1.25 mm **8** TPI

CRT908-1

**304 mm**  
1.25 mm **8** TPI

CRT1208-1

100% PLASTIC FREE PACKAGING

Dia. mm	OAL mm	Code
5	110	SPZ050110
5	160	SPZ050160
5.5	110	SPZ055110
5.5	160	SPZ055160
6	110	SPZ060110
6	160	SPZ060160
6	210	SPZ060210
6	260	SPZ060260
6.5	110	SPZ065110
6.5	160	SPZ065160
6.5	210	SPZ065210
7	160	SPZ070160
8	160	SPZ080160
8	210	SPZ080210
8	310	SPZ080310
10	160	SPZ100160
10	210	SPZ100210

NEW

NEW

NEW

Dia mm	OAL mm	Code
10	260	SPZ100260
10	310	SPZ100310
10	600	SPZ100600
10	1000	SPZ1001000
12	160	SPZ120160
12	210	SPZ120210
12	260	SPZ120260
12	310	SPZ120310
12	450	SPZ120450
12	600	SPZ120600
12	1000	SPZ1201000
14	260	SPZ140260
14	450	SPZ140450
14	600	SPZ140600
14	1000	SPZ1401000
16	260	SPZ160260
16	450	SPZ160450

NEW

NEW

NEW

NEW

NEW

NEW

NEW

Dia mm	OAL mm	Code
16	600	SPZ160600
16	1000	SPZ1601000
18	250	SPZ180250
18	450	SPZ180450
20	250	SPZ200250
20	450	SPZ200450
22	250	SPZ220250
22	450	SPZ220450
24	250	SPZ240250
24	450	SPZ240450
25	250	SPZ250250
25	450	SPZ250450
28	250	SPZ280250
28	450	SPZ280450
30	250	SPZ300250
30	450	SPZ300450
32	450	SPZ320450

NEW

NEW

Alpha  
**TUFFBOX PRO**  
YOUR FAVOURITE TOOL BOX  
— JUST GOT —  
**TUFFER!**



**NEWLY  
DESIGNED  
PACKAGING**

TUFF new case to withstand harsh working condition

Sturdy color-coded latch to secure contents & distinguish between different series

Bold coloured case for easy location



**TUFFBOX PRO**  
**GOLD Series Jobber Drill Set**



- 135° split point cuts faster & reduces wandering
- Titanium nitride coating reduces heat & increases lubricity for extended life
- 1.0 - 13.0 in 0.5mm increments

25 PCE  
Metric

30% MORE HOLES\*

TITANIUM NITRIDE COATING for faster drilling & longer life

**IDEAL FOR**

STEEL ●●●●●	WOOD ●●●●●
PLASTIC ●●●●●	STAINLESS STEEL ●●●●●

**SUITS**

POWER DRILL	PEDESTAL DRILL
-------------	----------------

Code: SM25TP

**TUFFBOX PRO**  
**INOX Series Jobber Drill Set**



- 40° helix fast spiral flute for controlled chip evacuation
- 130° special point angle for quick penetration & reduced work hardening
- 1.0 - 13.0 in 0.5mm increments

25 PCE  
Metric

5x LIFE

FAST spiral FLUTE

TiAN COATING for ultimate wear resistance

**IDEAL FOR**

STAINLESS STEEL ●●●●●	STEEL ●●●●●
ALUMINIUM ●●●●●	

**SUITS**

POWER DRILL	PEDESTAL DRILL
-------------	----------------

Code: SM25SPTP

**TUFFBOX PRO**  
**SILVER Series Jobber Drill Set**



- 118° split point reduces wandering
- Fully Ground M2 HSS raw material for extended life
- 1.0 - 13.0 in 0.5mm increments

25 PCE  
Metric

**IDEAL FOR**

PLASTIC ●●●●●	ALUMINIUM ●●●●●
WOOD ●●●●●	STEEL ●●●●●

**SUITS**

POWER DRILL	PEDESTAL DRILL
-------------	----------------

Code: SM25STP

# BE SMART BUY SMART.



## SMART.35 Magnetic Base Drill 35mm Capacity

Powered by  EUROBOOR

Code: SMART.35

**Meet the smallest machine in the SMART. range.**  
Weighing only 8,5 kg, the SMART.35 is almost 30% lighter than comparable machines.

The SMART.35 is the ideal machine for all drilling and countersinking purposes up to  $\varnothing$  35 mm!

- Strong powerful Magnet force 1000 kg
- 12 month warranty
- Powered by EUROBOOR



## SMART.50 Magnetic Base Drill 50mm Capacity 2-Speed

Powered by  EUROBOOR

Code: SMART.50

**The SMART.50 really gives you the freedom you need.**

The SMART.50 is a very versatile machine that can be used for practically all steel working applications.

Perfect for drilling and countersinking up to  $\varnothing$  50 mm!

- Strong powerful Magnet force 1600 kg
- 12 month warranty
- 2 Speed gear box
- Powered by EUROBOOR



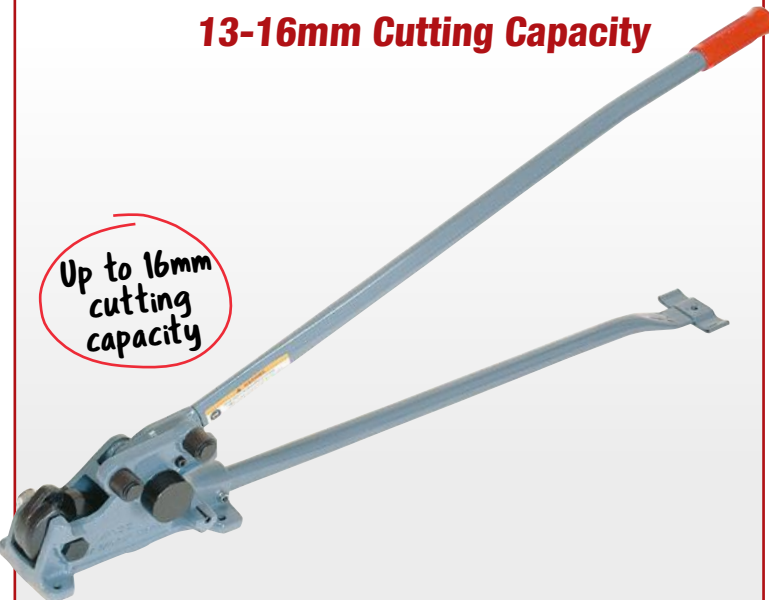
- Long Handle for extra leverage
- Drop forged from special alloy steel with chrome molybdenum insert.
- Each wrench has two sizes and reversible ratchet with the press of the thumb.
- Tapered handle is also used to align holes for bolts and nuts.

Sockets	Code
10 - 12	RW-1012
10 - 13	RW-1013
10 - 14	RW-1014
11 - 13	RW-1113
12 - 14	RW-1214
13 - 17	RW-1317
13 - 19	RW-1319
14 - 15	RW-1415
14 - 17	RW-1417
17 - 19	RW-1719
17 - 21	RW-1721
17 - 22	RW-1722
19 - 21	RW-1921
19 - 22	RW-1922
19 - 24	RW-1924
21 - 24	RW-2124

Sockets	Code
21 - 26	RW-2126
21 - 27	RW-2127
22 - 24	RW-2224
22 - 27	RW-2227
23 - 26	RW-2326
24 - 26	RW-2426
24 - 27	RW-2427
24 - 30	RW-2430
26 - 32	RW-2632
27 - 30	RW-2730
27 - 32	RW-2732
30 - 32	RW-3032
32 - 35	RW-3235
32 - 36	RW-3236
35 - 41	RW-3541
36 - 41	RW-3641

## MCC. Cutter & Bender 13-16mm Cutting Capacity

Up to 16mm  
cutting  
capacity

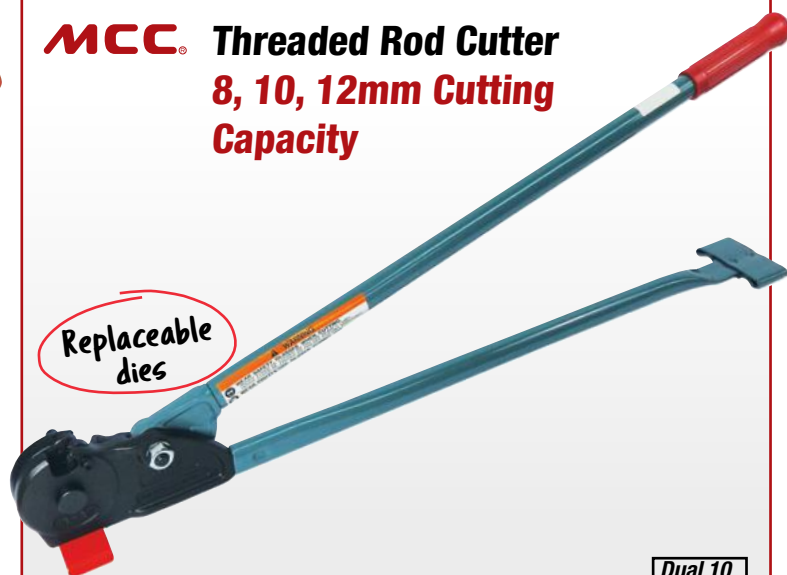


Code: **SCB-16**

- Suitable for cutting and bending reinforcing bars and rods.
- Portable compact design with well balanced positioning of blades and rollers for suitability at job site work.
- Lightweight and easy to handle.

## MCC. Threaded Rod Cutter 8, 10, 12mm Cutting Capacity

Replaceable  
dies



**8mm**  
Code: **AB-M8**

**10mm**  
Code: **AB-M10**

**Dual 10 & 12mm**  
Code: **AB-M1012S**

- Designed to cut mild steel threaded rod.
- No cleaning and deburring work necessary after cut. Just screw on the nut.
- 2x Lifetime by double sided die design.
- Unique die design protects threaded rod from damage while cutting.

**THE NEW**

**SLAB ON THE BLOCK**

LIMITED STOCK!

**bolle**  
SAFETY

**SMOKE CRYSTAL  
SAFETY GLASSES**

**stks**



SCAN TO  
DISCOVER MORE



**Alpha**  
NO DOUBT



**100X**

**125**  
x10 x22,23mm

SILVER SERIES  
REINFORCED  
CUT-OFF WHEELS

**+ BONUS**

Code: GCDSS12510-100SG2

**BLEISPITZ** Paint Markers  
Fine Tip 1.0 - 2.0mm



- Quality paint marker for professional, industrial use.
- For highly opaque marking of almost any materials such as metal, glass, plastic, stone, carton, tiles, wood.
- For marking and writing especially on dark surfaces.
- Waterproof, quick-drying ink

DESCRIPTION	CODE
Paint Marker Fine Tip Red / Pack 10	0914
Paint Marker Fine Tip Blue / Pack 10	0938
Paint Marker Fine Tip Yellow / Pack 10	0952
Paint Marker Fine Tip White / Pack 10	0976
Paint Marker Fine Tip Black / Pack 10	0990



**BLEISPITZ** Paint Markers - 4.0mm



- Quality paint marker for professional, industrial use.
- For highly opaque marking of almost any materials such as metal, glass, plastic, stone, carton, tiles, wood.
- For marking and writing especially on dark surfaces.
- Waterproof, quick-drying ink

DESCRIPTION	CODE
Paint Marker Yellow / Card 1	1645
Paint Marker White / Card 1	1652
Paint Marker Black / Card 1	1669
Paint Marker Red / Pack 10	0488
Paint Marker Blue / Pack 10	0501
Paint Marker Yellow / Pack 10	0525
Paint Marker White / Pack 10	0549
Paint Marker Black / Pack 10	0563



**BLEISPITZ** 2 in 1 Dry Marker Pencil



- Ergonomic, triangular body, useful clip, very durable design
- Well-integrated sharpener inside the push button
- Graphite-universal lead for rough and smooth surfaces
- Refillable with different leads for nearly all surfaces and materials
- Remove yellow cover for deep-hole marking



DESCRIPTION	CODE
2 in 1 Dry Marker Pencil - Bulk	1492
2 in 1 Colour Lead Pencil Refill - 6pk	1416
2 in 1 Graphite Lead Pencil Refill - 6pk	1386

# MONOBLOCK STAINLESS STEEL

## VERNIER CALIPER



Made in Italy



Ideal for **INDUSTRIAL USE**



150mm

Code: **DCMB150**

□ **PRECISION-BUILT TO DIN 862 STANDARDS** for guaranteed precision.

□ **LOCKING SCREW AND FINE ADJUSTMENT** for stable reading and accurate measuring.

□ **SILKY-SMOOTH SLIDING ACTION** for a premium measuring experience.

□ **MADE OF SOLID STAINLESS STEEL**

□ **4-WAY MEASURING:** outside diameter, inside diameter, step, and depth.

200mm

Code: **DCMB200**

300mm

Code: **DCMB300**

600mm

Code: **DCMB600**

# DIGITAL EZI-READ

## VERNIER CALIPER



Made in Italy



Ideal for **INDUSTRIAL USE**



150mm

Code: **DC150-1005**

□ **PRECISION-BUILT TO DIN 862 STANDARDS** for guaranteed precision.

□ **LARGE EZI-READ DISPLAY** for quick, effortless readability.

□ **SILKY-SMOOTH SLIDING ACTION** for a premium measuring experience.

□ **DURABLE CONSTRUCTION** engineered for long service life.

□ **4-WAY MEASURING:** outside diameter, inside diameter, step, and depth.

200mm

Code: **DC200-1010**

300mm

Code: **DC300-1015**

# GENERAL PURPOSE

## MEASURING SET - 2PCS



Made in Italy



□ **BIG SCREEN DIGITAL CALIPER 0-150mm**



□ **DIGITAL OUTSIDE MICROMETER 0-25mm**



Code: **DCMSET2**

# GENERAL PURPOSE

## MEASURING SET - 4PCS



Made in Italy



□ **BIG SCREEN DIGITAL CALIPER 0-150mm**



□ **OUTSIDE MICROMETER 0-25mm**

□ **90° BEVELED EDGE SQUARE 100mm**

□ **STEEL RULER 150mm**

Code: **DCMSET4**

# OUTSIDE MICROMETER



Made in Italy



- ❑ **PRECISION-BUILT TO DIN 863 STANDARDS**  
for trusted professional accuracy
- ❑ **SPECIAL-GRADE CARBIDE ANVIL**  
offers greater durability than traditional easy-wear carbide tips
- ❑ **PRECISION-GROUND STAINLESS STEEL  
THREADING ROD**  
stronger, more stable, and more wear-resistant  
than typical alloy or carbon steel rods
- ❑ **LASER-ETCHED GRADUATIONS**  
on a satin chrome finish for easy, glare-free reading
- ❑ **ENHANCED RATCHET STOP (5–8 N)**  
delivers more consistent measuring force  
20% better control than the standard 5–10 N range

0–25mm

Code: **DOM8105**

25–50mm

Code: **DOM8110**

# DIGITAL OUTSIDE MICROMETER



Made in Italy



- ❑ **PRECISION-BUILT TO DIN 863 STANDARDS**  
for reliable, professional-grade measurement
  - ❑ **ONE-BUTTON UNIT SWITCHING**  
for instant conversion between inch and metric
  - ❑ **LOW-FORCE RATCHET MECHANISM**  
(5–8 N) ensures stable, repeatable measurements  
with minimal user influence
  - ❑ **INCLUDES REPLACEABLE BALL ANVIL**  
ideal for accurately measuring pipe or curved surfaces
- Measuring Range: 0–1 inch / 25 mm  
with  $\pm 0.001$  mm accuracy  
and a high-resolution 0.00005 in / 0.001 mm display

0–25mm

Code: **DDOM2005**

25–50mm

Code: **DDOM2010**

# MAGNETIC BASE WITH FINE ADJUSTMENT



Made in Italy



- ❑ **DUAL-SURFACE VERSATILITY**  
V-grooved base mounts securely on flat or  
cylindrical surfaces.
- ❑ **HIGH-POWER FERRITE MAGNET**  
Provides reliable holding force.
- ❑ **EFFORTLESS MAGNETIC CONTROL**  
On/off switch for smooth repositioning.
- ❑ **UNIVERSAL COMPATIBILITY**  
Clamp holes ( $\varnothing 4$  mm,  $\varnothing 8$  mm, 3/8")  
fit most indicators.

Code: **DMB0004**

# HIGH ACCURACY DIAL INDICATOR 0–10mm



Made in Italy



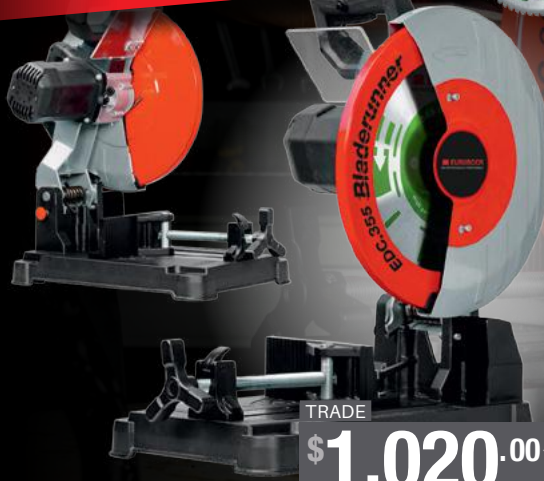
- ❑ **PRECISION MEASUREMENT**  
of surface flatness, axial runout, tool setup,  
and squareness.
- ❑ **MANUFACTURED TO DIN878 STANDARDS**  
for guaranteed accuracy.
- ❑ **QUICK, CLEAR TOLERANCE CHECKS**  
with limit indicator clips included.
- ❑ **JEWELLED BEARINGS**  
deliver ultra-low friction and smooth operation.

Code: **DDI0000**

COMES WITH FREE SAWBLADE

## Dry cut saw EDC.355

Our powerful machine offers convenience and safety with an adjustable sawing angle (0° to 45°), a molded aluminum base, and three attachment points for secure mounting. It features an ergonomic handle, safety button, transparent shield, robust clamp for precise material clamping, dust collection tray, and soft-start functionality.



TRADE  
**\$1,020.00+**  
Code: EDC.335

Technical data	
Dimensions (l x w x h)	620 x 350 x 630 mm
Weight	18.6 kg
<b>Motor power</b>	<b>2,480 W</b>
Cutting speed (no load)	1,450 rpm
Cutting angle	adjustable, 0° - 45°
Bore size	Ø 25.4 mm
Cutting capacity at 0°	● 120 mm
	■ 105 mm
	■ 90 x 145 mm
Cutting capacity at 45°	● 90 mm
	■ 80 mm
	■ 90 x 80 mm
Max. Ø saw blade	355 mm

## Weldon Shank Drills

Fits directly into Magnetic Drill weldon shank, no chuck required.

Machined from one solid blank, no weak spots caused by inferior material or welds.



30mm Overall Length



50mm Overall Length

Dia. mm	OAL mm	Code
6	30	SSPI.06
7	30	SSPI.07
8	30	SSPI.08
9	30	SSPI.09
10	30	SSPI.10
11	30	SSPI.11

Dia. mm	OAL mm	Code
6	50	SPI.06
7	50	SPI.07
8	50	SPI.08
9	50	SPI.09
10	50	SPI.10
11	50	SPI.11



30mm Overall Length

### Weldon Shank Drill Set - 6pc

6-11mm

Code: SSPI.KIT



50mm Overall Length

### Weldon Shank Drill Set - 6pc

6-11mm

Code: SPI.KIT



## PRO PERFORMANCE DCD/SPIRO CORE KIT

Includes:

38mm, 52mm, 65mm, 117mm & 127mm Spiro Cores, SDS Adaptor, Hex Adaptor, Drift Key, 1/2" BSP Extension (200mm), A-Taper Pilot Drill, in a heavy duty lockable carry case.

Code: DB00880



## CORE BIT ACCESSORIES

Description	Code
Hex Adaptor Pack I includes: • Hex adaptor • A-Taper Pilot Drill • Drift Key	DB02340
SDS Adaptor Pack I includes: • SDS Adaptor • A-Taper Pilot Drill • Drift Key	DB02350
1/2" BSP Drive Extension Rod (250mm)	DB02370
A-Taper Pilot Drill	DB02390
Drift Key	DB02410
Hex Adaptor	DB02420
SDS Adaptor	DB02430

Distributed by: