



### Attributes

Product Code  
 Net weight  
 Max. weight load  
 Dimensions (w x l x h)  
 Color options

2-1-010  
 11 kg  
 -  
 2510x510x120 mm



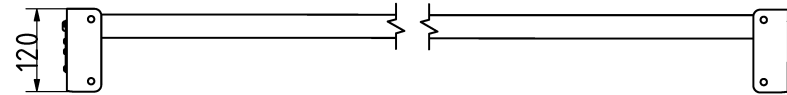
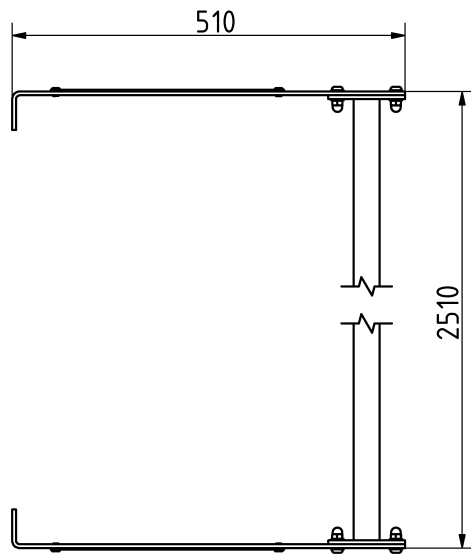
For more color options, discuss with your sales representative.

### Warranty

Structure  
 Steel  
 Paint  
 Plastic  
 Rubber  
 Moving parts

Detailed information in the warranty document

25-15 years  
 5-10 years  
 2 years  
 5-10 years  
 1-3 years  
 2 years



**BESTRONG**

 [bestrongworld](#)  [bestrongworld](#)  [global.bestrong.com](#)  [info@bestrong.com](mailto:info@bestrong.com)

