



**Product Catalogue**

**Surgical Instrument**

... A good decision ...



**OBEXA Medical**  
Equipments  
Providing Quality in Healthcare

## Surgical Instruments *Anaesthesia*



ARTICAL NO: S-786  
**NAME :** ANAESTHESIA  
**SIZE:** 17 CM, 20 CM, 25 CM  
**DETAIL:** MAGILL



ARTICAL NO: S-787  
**NAME :** ANAESTHESIA  
**SIZE:**  
**DETAIL:** WITH THREE  
LARYNGOSCOPE BLADES NO. 1 TO 3  
COMPLATE, IN CASE



ARTICAL NO: S-790  
**NAME :** ANAESTHESIA  
**SIZE:**  
**DETAIL:** WITH THREE  
LARYNGOSCOPE BLADES NO. 1 TO 3  
COMPLATE, IN CASE



ARTICAL NO: S-791  
**NAME :** ANAESTHESIA  
**SIZE:** 0 - 80 MM, 1 -105 MM, 2 -130 MM,  
3 -145 MM, 4 -165 MM  
**DETAIL:** GUEDEL NEGUS  
CONVENTIONAL LARYNGOSCOPE  
BLADES ALSO AVAILABLE IN FIBER  
OPTIC 0 TO 4



**OBEXA Medical**  
Equipments  
Providing Quality in Healthcare

## Surgical Instruments *Anaesthesia*



ARTICAL NO: S-793  
**NAME :** ANAESTHESIA  
**SIZE:** 0 - 80 MM, 1 - 92 MM, 2 -100 MM,  
3 -130 MM, 4 -155 MM, 5 -175 MM  
**DETAIL:** ENGLISH MACINTOSH  
FIBER OPTIC LARYNGOSCOPE  
BLADES 0 TO 5



ARTICAL NO: S-79  
**NAME :** ANAESTHESIA  
**SIZE:**  
**DETAIL:** WITH THREE  
LARYNGOSCOPE BLADES NO. 1 TO 3  
COMPLETE, IN CASE.



ARTICAL NO: S-796  
**NAME :** ANAESTHESIA  
**SIZE:**  
**DETAIL:** WITH THREE  
LARYNGOSCOPE BLADES NO. 2 TO 4  
COMPLETE, IN CASE.



ARTICAL NO: S-797  
**NAME :** ANAESTHESIA  
**SIZE:**  
**DETAIL:** WITH THREE  
LARYNGOSCOPE BLADES NO. 1 TO 4  
COMPLETE, IN CASE



**OBEXA Medical**  
Equipments  
Providing Quality In Healthcare

## Surgical Instruments *Anaesthesia*



ARTICAL NO: S-800

**NAME :** ANAESTHESIA

**SIZE:**

**DETAIL:** WITH BATTERY HANDLE  
(WITHOUT BATTERIES) AND THREE  
LARYNGOSCOPE BLADES NO 1 TO 3  
COMPLATE IN CASE.



ARTICAL NO: S-801

**NAME :** ANAESTHESIA

**SIZE:**

**DETAIL:** WITH BATTERY HANDLE  
(WITHOUT BATTERIES) AND THREE  
LARYNGOSCOPE BLADES NO 1 TO 3  
COMPLATE IN CASE.



ARTICAL NO: S-803

**NAME :** ANAESTHESIA

**SIZE:**

**DETAIL:** WITH BATTERY HANDLE  
(WITHOUT BATTERIES) AND THREE  
LARYNGOSCOPE BLADES NO 1 TO 3  
COMPLATE IN CASE.



ARTICAL NO: S-804

**NAME :** ANAESTHESIA

**SIZE:**

**DETAIL:** WITH BATTERY HANDLE  
(WITHOUT BATTERIES) AND THREE  
LARYNGOSCOPE BLADES NO 1 TO 3  
COMPLATE IN CASE.



**OBEXA Medical**  
Equipments  
Providing Quality in Healthcare

## Surgical Instruments *Anaesthesia*



ARTICAL NO: S-807  
**NAME :** ANAESTHESIA  
**SIZE:**  
**DETAIL:**



ARTICAL NO: S-808  
**NAME :** ANAESTHESIA  
**SIZE:**  
**DETAIL:**



ARTICAL NO: S-810  
**NAME :** ANAESTHESIA  
**SIZE:** 00 - 65 MM, 0 - 75 MM, 1 - 102  
MM, 2 - 155 MM, 3 - 195 MM, 4 - 205 MM  
**DETAIL:** WITH BATTERY HANDLE  
(WITHOUT BATTERIES) AND THREE  
LARYNGOSCOPE BLADES NO 2 TO 4  
COMPLETE CASE.



ARTICAL NO: S-811  
**NAME :** ANAESTHESIA  
**SIZE:**  
**DETAIL:**



**OBEXA Medical Equipments**  
Providing Quality In Healthcare

## Surgical Instruments *Bone surgery*



ARTICAL NO: S-915  
**NAME :** BONE SURGERY  
**SIZE:** 130MM (5.1/8")  
**DETAIL:** LISTON AMPUTATION  
INSTRUMENT BLADE:130MM (5.1/8")



ARTICAL NO: S-916  
**NAME :** BONE SURGERY  
**SIZE:** 180MM (7")  
**DETAIL:** AMPUTATION SAW  
COMPLETE BLADE:180MM (7")



ARTICAL NO: S-918  
**NAME :** BONE SURGERY  
**SIZE:** 160MM, 6"  
**DETAIL:** REAMER (AWL)  
ESCARIADOR



ARTICAL NO: S-919  
**NAME :** BONE SURGERY  
**SIZE:** 180 MM,6"  
**DETAIL:** REAMER(AWL)  
ESCARIADOR



**OBEXA Medical Equipments**  
Providing Quality In Healthcare

## Surgical Instruments *Bone surgery*



ARTICAL NO: S-921  
**NAME :** BONE SURGERY  
**SIZE:** 180 MM, 7"  
**DETAIL:** REAMER(AWL)  
ESCARIADOR



ARTICAL NO: S-922  
**NAME :** BONE SURGERY  
**SIZE:** 4.5 MM  
**DETAIL:** DRILLING  
CHECK, PORTABROCAS



ARTICAL NO: S-925  
**NAME :** BONE SURGERY  
**SIZE:** 4.7 MM"  
**DETAIL:**  
CANNULATED, PORTABROCAS



ARTICAL NO: S-926  
**NAME :** BONE SURGERY  
**SIZE:** 160 MM, 6 1/4"  
**DETAIL:** DRILLING CHUCK



**OBEXA Medical Equipments**  
Providing Quality In Healthcare

## Surgical Instruments *Bone surgery*



ARTICAL NO: S-928  
**NAME :** BONE SURGERY  
**SIZE:**  
**DETAIL:**



ARTICAL NO: S-929  
**NAME :** BONE SURGERY  
**SIZE:** 200 MM, 6  
**DETAIL:** BAYMGARTN, WIRE  
TWISTER



ARTICAL NO: S-931  
**NAME :** BONE SURGERY  
**SIZE:** 200 MM, 6"  
**DETAIL:** WIRE TWISTER, LIAGATURE  
FORCEPS



ARTICAL NO: S-932  
**NAME :** BONE SURGERY  
**SIZE:** 185 MM, 7 1/4"  
**DETAIL:** FLAT-NOSED  
PLIERS, PARALELO





# Surgical Instruments *Bone surgery*



ARTICAL NO: S-934  
**NAME :** BONE SURGERY  
**SIZE:** 150 MM, 6"  
**DETAIL:** FOR SOFT WIRE UP TO  
DIAM



ARTICAL NO: S-935  
**NAME :** BONE SURGERY  
**SIZE:** 180 MM, 7"  
**DETAIL:** ROUND PILIERS ALICATE  
REDONDO



ARTICAL NO: S-937  
**NAME :** BONE SURGERY  
**SIZE:** 130 MM, 5 1/8"  
**DETAIL:** EXTRACTION PLIERS FOR  
BORING WIRE



ARTICAL NO: S-938  
**NAME :** BONE SURGERY  
**SIZE:** 130 MM, 5 1/8"  
**DETAIL:** EXTRACTION PLIERS FOR  
BORING WIRE



**OBEXA Medical Equipments**  
Providing Quality In Healthcare

## Surgical Instruments *Bone surgery*



ARTICAL NO: S-940  
**NAME :** BONE SURGERY  
**SIZE:** 180 MM, 7"  
**DETAIL:** FRONT AND LATERAL CUTTING ACTION



ARTICAL NO: S-941  
**NAME :** BONE SURGERY  
**SIZE:** 220 MM, 8 3/4"  
**DETAIL:** FOR SOF WIRE UP TO DIAM



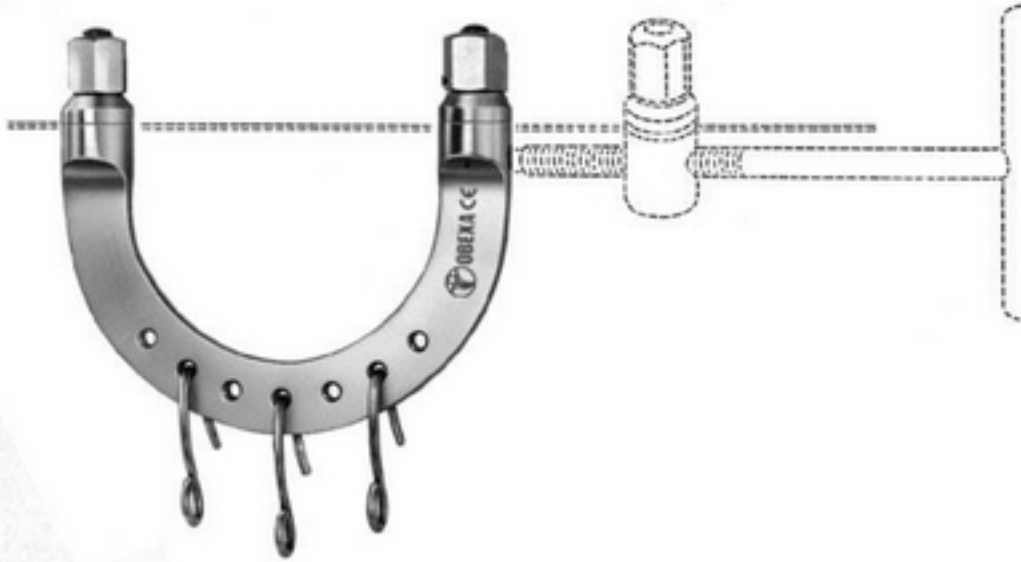
ARTICAL NO: S-943  
**NAME :** BONE SURGERY  
**SIZE:** 305 MM, 12"  
**DETAIL:** WIRE GUIDES PASAALAMBRES



ARTICAL NO: S-944  
**NAME :** BONE SURGERY  
**SIZE:** 220 MM, 8 3/4"  
**DETAIL:** WIRE TIGHTNER



**Surgical Instruments** *Bone surgery*



ARTICAL NO: S-947  
**NAME :** BONE SURGERY  
**SIZE:** 115 MM"  
**DETAIL:** WIRE TRACTION BOWS



ARTICAL NO: S-948  
**NAME :** BONE SURGERY  
**SIZE:** 115 MM"  
**DETAIL:** WIRE TRACTION BOWS



ARTICAL NO: S-950  
**NAME :** BONE SURGERY  
**SIZE:**  
**DETAIL:** TRACTION HOOK ONLY  
LARGE SIZE



ARTICAL NO: S-951  
**NAME :** BONE SURGERY  
**SIZE:**  
**DETAIL:** FIXATION DISC



## Surgical Instruments

*Bone surgery 1*



ARTICAL NO: PS-4196  
**NAME :** BONE SURGERY 1  
**SIZE:** 205 MM,8"  
**DETAIL:** LANGENBCK



ARTICAL NO: PS-4197  
**NAME :** BONE SURGERY 1  
**SIZE:** 205 MM,8"  
**DETAIL:** FERGUNSSOL



ARTICAL NO: PS-4199  
**NAME :** BONE SURGERY 1  
**SIZE:** 210 MM, 8 1/4"  
**DETAIL:** MALLEOLAR FORCEPS



ARTICAL NO: PS-4200  
**NAME :** BONE SURGERY 1  
**SIZE:** 235 MM, 9 1/4"  
**DETAIL:** FORCEPS WITH THREAD  
FIXATION

# Surgical Instruments *Bone surgery*



ARTICAL NO: S-921  
**NAME :** BONE SURGERY  
**SIZE:** 180 MM, 7"  
**DETAIL:** REAMER(AWL)  
ESCARIADOR



ARTICAL NO: S-922  
**NAME :** BONE SURGERY  
**SIZE:** 4.5 MM  
**DETAIL:** DRILLING  
CHECK, PORTABROCAS



ARTICAL NO: S-925  
**NAME :** BONE SURGERY  
**SIZE:** 4.7 MM"  
**DETAIL:**  
CANNULATED, PORTABROCAS



ARTICAL NO: S-926  
**NAME :** BONE SURGERY  
**SIZE:** 160 MM, 6 1/4"  
**DETAIL:** DRILLING CHUCK

# Surgical Instruments *Bone surgery*



ARTICAL NO: S-928  
**NAME :** BONE SURGERY  
**SIZE:**  
**DETAIL:**



ARTICAL NO: S-929  
**NAME :** BONE SURGERY  
**SIZE:** 200 MM, 6  
**DETAIL:** BAYMGARTN, WIRE TWISTER



ARTICAL NO: S-931  
**NAME :** BONE SURGERY  
**SIZE:** 200 MM, 6"  
**DETAIL:** WIRE TWISTER, LIAGATURE FORCEPS



ARTICAL NO: S-932  
**NAME :** BONE SURGERY  
**SIZE:** 185 MM, 7 1/4"  
**DETAIL:** FLAT-NOSED PLIERS, PARALELO



**OBEXA Medical Equipments**  
Providing Quality In Healthcare

## Surgical Instruments *Bone surgery*



ARTICAL NO: S-934

**NAME :** BONE SURGERY

**SIZE:** 150 MM, 6"

**DETAIL:** FOR SOFT WIRE UP TO  
DIAM



ARTICAL NO: S-935

**NAME :** BONE SURGERY

**SIZE:** 180 MM, 7"

**DETAIL:** ROUND PILIERS ALICATE  
REDONDO



ARTICAL NO: S-937

**NAME :** BONE SURGERY

**SIZE:** 130 MM, 5 1/8"

**DETAIL:** EXTRACTION PLIERS FOR  
BORING WIRE



ARTICAL NO: S-938

**NAME :** BONE SURGERY

**SIZE:** 130 MM, 5 1/8"

**DETAIL:** EXTRACTION PLIERS FOR  
BORING WIRE



**Surgical Instruments Bone surgery 1**



ARTICAL NO: PS-4226

**NAME :** BONE SURGERY 1

**SIZE:** 155 MM, 6"

**DETAIL:** BOHLER



ARTICAL NO: PS-4227

**NAME :** BONE SURGERY 1

**SIZE:** 190 MM, 7 1/2"

**DETAIL:** RUSKIN



ARTICAL NO: PS-4229

**NAME :** BONE SURGERY 1

**SIZE:** 175 MM, 7"

**DETAIL:** MAYFIELD



ARTICAL NO: PS-4230

**NAME :** BONE SURGERY 1

**SIZE:** 205 MM, 8"

**DETAIL:** PENNYBACKER





## Surgical Instruments *Bone surgery 1*



ARTICAL NO: PS-4232

**NAME :** BONE SURGERY 1

**SIZE:** 190 MM, 7 1/2"

**DETAIL:** RUSKIN



ARTICAL NO: PS-4233

**NAME :** BONE SURGERY 1

**SIZE:** 255 MM, 10"

**DETAIL:** LUER-STILE



ARTICAL NO: PS-4235

**NAME :** BONE SURGERY 1

**SIZE:** 240 MM, 9 1/2"

**DETAIL:** FRYKHOLM



ARTICAL NO: PS-4236

**NAME :** BONE SURGERY 1

**SIZE:** 240 MM, 9 1/2"

**DETAIL:** STILLE-RUSKIN



## Surgical Instruments Bone surgery 1



**ARTICAL NO:** PS-4238

**NAME :** BONE SURGERY 1

**SIZE:** 235 MM, 9 1/4"

**DETAIL:** STILLE



**ARTICAL NO:** PS-4239

**NAME :** BONE SURGERY 1

**SIZE:** 240 MM, 9 1/2"

**DETAIL:** STILLE-RUSKIN



**ARTICAL NO:** PS-4241

**NAME :** BONE SURGERY 1

**SIZE:** 310 MM, 12 3/8"

**DETAIL:** SAUERBRUCH-COROYLLOS



**ARTICAL NO:** PS-4242

**NAME :** BONE SURGERY 1

**SIZE:** 190 MM, 7 1/2"

**DETAIL:** MARKWALDER



## Surgical Instruments *Bone surgery 1*



ARTICAL NO: PS-4244  
**NAME :** BONE SURGERY 1  
**SIZE:** 220 MM, 8 3/4"  
**DETAIL:** LISTON



ARTICAL NO: PS-4245  
**NAME :** BONE SURGERY 1  
**SIZE:** 220 MM, 8 3/4"  
**DETAIL:** LISTON



ARTICAL NO: PS-4247  
**NAME :** BONE SURGERY 1  
**SIZE:** 130 MM, 5 1/8"  
**DETAIL:**



ARTICAL NO: PS-4248  
**NAME :** BONE SURGERY 1  
**SIZE:**  
**DETAIL:**



## Surgical Instruments Bone surgery 1



**ARTICAL NO:** PS-4250  
**NAME :** BONE SURGERY 1  
**SIZE:** 190 MM, 7 1/2"  
**DETAIL:** MARKWALDER



**ARTICAL NO:** PS-4251  
**NAME :** BONE SURGERY 1  
**SIZE:** 205 MM, 8"  
**DETAIL:** BOHLER



**ARTICAL NO:** PS-4253  
**NAME :** BONE SURGERY 1  
**SIZE:** 280 MM, 11"  
**DETAIL:** LISTON



**ARTICAL NO:** PS-4254  
**NAME :** BONE SURGERY 1  
**SIZE:**  
**DETAIL:**



**OBEXA Medical**  
Equipments  
Providing Quality in Healthcare

## Surgical Instruments *Diagnostics*



ARTICAL NO: PS-1201

**NAME :** DIAGNOSTICS

**SIZE:** 18 CM

**DETAIL:** BUCK PERCUSSION  
HAMMER WITH NEEDLE &  
BRUSH



ARTICAL NO: PS-1202

**NAME :** DIAGNOSTICS

**SIZE:** 20 CM

**DETAIL:** DEJERINE  
PERCUSSION HAMMER



ARTICAL NO: PS-1204

**NAME :** DIAGNOSTICS

**SIZE:** 18 CM

**DETAIL:** TAYLOR PERCUSSION  
HAMMER



ARTICAL NO: PS-1205

**NAME :** DIAGNOSTICS

**SIZE:** 19 CM

**DETAIL:** WARTENBERG PIN-  
WHEEL (BRASS)



**ARTICAL NO:** PS-1301

**NAME :** DRESSINGS

**SIZE:** 23CM

**DETAIL:** DRESSINGS



**ARTICAL NO:** PS-1302

**NAME :** DRESSINGS

**SIZE:** 14,18.5,20CM

**DETAIL:** DRESSINGS



**ARTICAL NO:** PS-1304

**NAME :** DRESSINGS

**SIZE:** 20CM

**DETAIL:** DRESSINGS



**ARTICAL NO:** PS-1305

**NAME :** DRESSINGS

**SIZE:** 16,19CM

**DETAIL:** DRESSINGS



**ARTICAL NO:** PS-1307

**NAME :** DRESSINGS

**SIZE:** 23,27,38CM

**DETAIL:** DRESSINGS



**ARTICAL NO:** PS-1308

**NAME :** DRESSINGS

**SIZE:** 18CM

**DETAIL:** DRESSINGS



**ARTICAL NO:** PS-1310

**NAME :** DRESSINGS

**SIZE:** 20CM

**DETAIL:** 20CM



**ARTICAL NO:** PS-1311

**NAME :** DRESSINGS

**SIZE:**

**DETAIL:**



**ARTICAL** NO: PS-1401  
**NAME** : DERMATOLOGY  
**SIZE**: 14 CM  
**DETAIL**: DERMATOLOGY



**ARTICAL** NO: PS-1402  
**NAME** : DERMATOLOGY  
**SIZE**: 14 CM  
**DETAIL**: DERMATOLOGY



**ARTICAL** NO: PS-1404  
**NAME** : DERMATOLOGY  
**SIZE**: 18CM  
**DETAIL**: DERMATOLOGY



**ARTICAL** NO: PS-1405  
**NAME** : DERMATOLOGY  
**SIZE**:  
**DETAIL**:





## Surgical Instruments *Dermatology*



ARTICAL NO: PS-1407  
**NAME :** DERMATOLOGY  
**SIZE:** 155 MM, 6"  
**DETAIL:** DERMATOLOGY



ARTICAL NO: PS-1408  
**NAME :** DERMATOLOGY  
**SIZE:** 18 CM  
**DETAIL:** DERMATOLOGY



ARTICAL NO: PS-1410  
**NAME :** DERMATOLOGY  
**SIZE:** 9.5 CM  
**DETAIL:** DERMATOLOGY



ARTICAL NO: PS-1411  
**NAME :** DERMATOLOGY  
**SIZE:** 16CM  
**DETAIL:** DERMATOLOGY



## Surgical Instruments

Cardiovascular Surgery



ARTICAL NO: PS-1624

**NAME :** CARDIOVASCULAR SURGERY

**SIZE:** 23CM

**DETAIL:** CARDIOVASCULAR  
SURGERY



ARTICAL NO: PS-1625

**NAME :** CARDIOVASCULAR SURGERY

**SIZE:** 23CM

**DETAIL:** CARDIOVASCULAR  
SURGERY



ARTICAL NO: PS-1627

**NAME :** CARDIOVASCULAR SURGERY

**SIZE:** 26CM

**DETAIL:** CARDIOVASCULAR  
SURGERY



ARTICAL NO: PS-1628

**NAME :** CARDIOVASCULAR SURGERY

**SIZE:** 24.5CM

**DETAIL:** CARDIOVASCULAR  
SURGERY



## Surgical Instruments

Cardiovascular Surgery



ARTICAL NO: PS-1630

**NAME :** CARDIOVASCULAR SURGERY

**SIZE:** 24.5CM

**DETAIL:** CARDIOVASCULAR  
SURGERY



ARTICAL NO: PS-1631

**NAME :** CARDIOVASCULAR SURGERY

**SIZE:** 95MM

**DETAIL:** CARDIOVASCULAR SURGERY



ARTICAL NO: PS-1633

**NAME :** CARDIOVASCULAR SURGERY

**SIZE:**

**DETAIL:**

SURGERY



ARTICAL NO: PS-1634

**NAME :** CARDIOVASCULAR SURGERY

**SIZE:** 300MM

**DETAIL:** CARDIOVASCULAR SURGERY

SURGERY



## Surgical Instruments *oral maxillo-facial surgery*



ARTICAL NO: PS-1981

**NAME :** ORAL MAXILLO-FACIAL SURGERY

**SIZE:** 17CM

**DETAIL:** ORAL MAXILLO-FACIAL SURGERY



ARTICAL NO: PS-1982

**NAME :** ORAL MAXILLO-FACIAL SURGERY

**SIZE:** 11CM

**DETAIL:** ORAL MAXILLO-FACIAL SURGERY



ARTICAL NO: PS-1984

**NAME :** ORAL MAXILLO-FACIAL SURGERY

**SIZE:** 18CM

**DETAIL:** ORAL MAXILLO-FACIAL SURGERY



ARTICAL NO: PS-1985

**NAME :** ORAL MAXILLO-FACIAL SURGERY

**SIZE:**

**DETAIL:**



## Surgical Instruments

*oral maxillo-facial surgery*



ARTICAL NO: PS-1993

**NAME :** ORAL MAXILLO-FACIAL SURGERY

**SIZE:** 11CM

**DETAIL:** ORAL MAXILLO-FACIAL SURGERY



ARTICAL NO: PS-1994

**NAME :** ORAL MAXILLO-FACIAL SURGERY

**SIZE:** 13CM

**DETAIL:** ORAL MAXILLO-FACIAL SURGERY



ARTICAL NO: PS-1996

**NAME :** ORAL MAXILLO-FACIAL SURGERY

**SIZE:**

**DETAIL:**



ARTICAL NO: PS-1997

**NAME :** ORAL MAXILLO-FACIAL SURGERY

**SIZE:** 14.5CM

**DETAIL:** ORAL MAXILLO-FACIAL SURGERY



## Surgical Instruments *oral maxillo-facial surgery*



ARTICAL NO: PS-1999

**NAME :** ORAL MAXILLO-FACIAL SURGERY

**SIZE:** 15CM

**DETAIL:** ORAL MAXILLO-FACIAL SURGERY



ARTICAL NO: PS-2000

**NAME :**

**SIZE:** 14.5CM

**DETAIL:**



ARTICAL NO: PS-2002

**NAME :** ORAL MAXILLO-FACIAL SURGERY

**SIZE:** 12CM

**DETAIL:** ORAL MAXILLO-FACIAL SURGERY



ARTICAL NO: PS-2003

**NAME :** ORAL MAXILLO-FACIAL SURGERY

**SIZE:** 10.5CM

**DETAIL:** ORAL MAXILLO-FACIAL SURGERY



**Surgical Instruments** oral maxillo-facial surgery



**ARTICAL NO:** PS-2005  
**NAME :** ORAL MAXILLO-FACIAL SURGERY  
**SIZE:**  
**DETAIL:**



**ARTICAL NO:** PS-2006  
**NAME :** ORAL MAXILLO-FACIAL SURGERY  
**SIZE:** 12CM  
**DETAIL:** ORAL MAXILLO-FACIAL SURGERY



**ARTICAL NO:** PS-2008  
**NAME :** ORAL MAXILLO-FACIAL SURGERY  
**SIZE:** 15CM  
**DETAIL:** ORAL MAXILLO-FACIAL SURGERY

**ARTICAL NO:** PS-2009  
**NAME :** ORAL MAXILLO-FACIAL SURGERY  
**SIZE:** 14.5CM  
**DETAIL:** ORAL MAXILLO-FACIAL SURGERY



## Surgical Instruments *oral maxillo-facial surgery*



ARTICAL NO: PS-2011

**NAME :** ORAL MAXILLO-FACIAL SURGERY

**SIZE:** 14.5CM

**DETAIL:** ORAL MAXILLO-FACIAL SURGERY



ARTICAL NO: PS-2012

**NAME :** ORAL MAXILLO-FACIAL SURGERY

**SIZE:**

**DETAIL:**



ARTICAL NO: PS-2014

**NAME :** ORAL MAXILLO-FACIAL SURGERY

**SIZE:**

**DETAIL:**



ARTICAL NO: PS-2015

**NAME :** ORAL MAXILLO-FACIAL SURGERY

**SIZE:** 19CM

**DETAIL:** ORAL MAXILLO-FACIAL SURGERY





## Surgical Instruments *oral maxillo-facial surgery*



ARTICAL NO: PS-2017  
**NAME :** ORAL MAXILLO-FACIAL SURGERY  
**SIZE:** 15CM  
**DETAIL:** ORAL MAXILLO-FACIAL SURGERY



ARTICAL NO: PS-2018  
**NAME :** ORAL MAXILLO-FACIAL SURGERY  
**SIZE:** 15CM  
**DETAIL:**



ARTICAL NO: PS-2020  
**NAME :** ORAL MAXILLO-FACIAL SURGERY  
**SIZE:**  
**DETAIL:**



ARTICAL NO: PS-2021  
**NAME :** ORAL MAXILLO-FACIAL SURGERY  
**SIZE:**  
**DETAIL:**



## Surgical Instruments

*Eurosurgery, Laminectomy*



ARTICAL NO: PS-2223

**NAME :** EUROSURGERY, LAMINECTOMY

**SIZE:** 26.5CM

**DETAIL:** EUROSURGERY,  
LAMINECTOMY



ARTICAL NO: PS-2224

**NAME :** EUROSURGERY, LAMINECTOMY

**SIZE:** 20CM

**DETAIL:** EUROSURGERY,  
LAMINECTOMY



ARTICAL NO: PS-2226

**NAME :** EUROSURGERY, LAMINECTOMY

**SIZE:** 13,18CM

**DETAIL:** EUROSURGERY,  
LAMINECTOMY



ARTICAL NO: PS-2227

**NAME :** EUROSURGERY, LAMINECTOMY

**SIZE:**

**DETAIL:**



**Surgical Instruments**    *Eurosurgery, Laminectomy*



**ARTICAL NO:** PS-2205  
**NAME :** EUROSURGERY, LAMINECTOMY  
**SIZE:**  
**DETAIL:**



**ARTICAL NO:** PS-2208  
**NAME :** EUROSURGERY, LAMINECTOMY  
**SIZE:** 18 CM  
**DETAIL:** EUROSURGERY,  
LAMINECTOMY



**ARTICAL NO:** PS-2206  
**NAME :** EUROSURGERY, LAMINECTOMY  
**SIZE:** 15.5CM  
**DETAIL:** EUROSURGERY,  
LAMINECTOMY



**ARTICAL NO:** PS-2209  
**NAME :** EUROSURGERY, LAMINECTOMY  
**SIZE:**  
**DETAIL:**



**Surgical Instruments**    *Eurosurgery, Laminectomy*



**ARTICAL NO:** PS-2217  
**NAME :** EUROSURGERY, LAMINECTOMY  
**SIZE:** 18CM  
**DETAIL:** EUROSURGERY,  
LAMINECTOMY



**ARTICAL NO:** PS-2218  
**NAME :** EUROSURGERY, LAMINECTOMY  
**SIZE:** 23.5CM  
**DETAIL:** EUROSURGERY,  
LAMINECTOMY



**ARTICAL NO:** PS-2220  
**NAME :** EUROSURGERY, LAMINECTOMY  
**SIZE:** 23.5CM  
**DETAIL:** EUROSURGERY,  
LAMINECTOMY



**ARTICAL NO:** PS-2221  
**NAME :** EUROSURGERY, LAMINECTOMY  
**SIZE:** 16.5CM  
**DETAIL:** EUROSURGERY,  
LAMINECTOMY



## Surgical Instruments *Eurosurgery, Laminectomy*



ARTICAL NO: PS-2223

**NAME :** EUROSURGERY, LAMINECTOMY

**SIZE:** 26.5CM

**DETAIL:** EUROSURGERY,  
LAMINECTOMY



ARTICAL NO: PS-2224

**NAME :** EUROSURGERY, LAMINECTOMY

**SIZE:** 20CM

**DETAIL:** EUROSURGERY,  
LAMINECTOMY



ARTICAL NO: PS-2226

**NAME :** EUROSURGERY, LAMINECTOMY

**SIZE:** 13,18CM

**DETAIL:** EUROSURGERY,  
LAMINECTOMY



ARTICAL NO: PS-2227

**NAME :** EUROSURGERY, LAMINECTOMY

**SIZE:**

**DETAIL:**



**ARTICAL NO:** PS-2344

**NAME :** GYNECOLOGY

**SIZE:** 75 \* 32 MM, 85 \* 35 MM, 100 \* 35 MM

**DETAIL:** GYNECOLOGY



**ARTICAL NO:** PS-2345

**NAME :** GYNECOLOGY

**SIZE:** 75 \* 18 MM

**DETAIL:** GYNECOLOGY



**ARTICAL NO:** PS-2347

**NAME :** GYNECOLOGY

**SIZE:** 37MM, 100 \* 37MM

**DETAIL:** GYNECOLOGY



**ARTICAL NO:** PS-2348

**NAME :** GYNECOLOGY

**SIZE:** 35MM, 110 \* 40CM

**DETAIL:** GYNECOLOGY



**ARTICAL NO:** PS-2350  
**NAME :** GYNECOLOGY  
**SIZE:** 35 MM  
**DETAIL:** GYNECOLOGY



**ARTICAL NO:** PS-2351  
**NAME :** GYNECOLOGY  
**SIZE:** 3.5MM  
**DETAIL:** GYNECOLOGY



**ARTICAL NO:** PS-2353  
**NAME :** GYNECOLOGY  
**SIZE:**  
**DETAIL:**



**ARTICAL NO:** PS-2354  
**NAME :** GYNECOLOGY  
**SIZE:**  
**DETAIL:**



## Surgical Instruments *Gynecology*



ARTICAL NO: PS-2374

**NAME :** GYNECOLOGY

**SIZE:** 24.5CM

**DETAIL:** GYNECOLOGY



ARTICAL NO: PS-2375

**NAME :** GYNECOLOGY

**SIZE:** : 24.5CM

**DETAIL:** GYNECOLOGY



ARTICAL NO: PS-2377

**NAME :** GYNECOLOGY

**SIZE:** 18.5CM

**DETAIL:** GYNECOLOGY



ARTICAL NO: PS-2378

**NAME :**

**SIZE:** : 20CM

**DETAIL:**





## Surgical Instruments *Gynecology*



ARTICAL NO: PS-2380  
**NAME :** GYNECOLOGY  
**SIZE:** 33CM  
**DETAIL:** GYNECOLOGY



ARTICAL NO: PS-2381  
**NAME :** GYNECOLOGY  
**SIZE:** 27.5CM  
**DETAIL:** GYNECOLOGY



ARTICAL NO: PS-2383  
**NAME :** GYNECOLOGY  
**SIZE:** 25.5CM  
**DETAIL:** GYNECOLOGY



ARTICAL NO: PS-2384  
**NAME :** GYNECOLOGY  
**SIZE:** 25.5CM  
**DETAIL:** GYNECOLOGY



## Surgical Instruments *Gynecology*



ARTICAL NO: PS-2386

**NAME :** GYNECOLOGY

**SIZE:** 26CM

**DETAIL:** GYNECOLOGY



ARTICAL NO: PS-2387

**NAME :** GYNECOLOGY

**SIZE:** 25CM

**DETAIL:** GYNECOLOGY



ARTICAL NO: PS-2389

**NAME :** GYNECOLOGY

**SIZE:**

**DETAIL:**



ARTICAL NO: PS-2390

**NAME :** GYNECOLOGY

**SIZE:** 25CM

**DETAIL:** GYNECOLOGY



## Surgical Instruments *Gynecology*



ARTICAL NO: PS-2392  
**NAME :** GYNECOLOGY  
**SIZE:** 26.5CM  
**DETAIL:** GYNECOLOGY



ARTICAL NO: PS-2393  
**NAME :** GYNECOLOGY  
**SIZE:** 21.5CM  
**DETAIL:** GYNECOLOGY



ARTICAL NO: PS-2395  
**NAME :** GYNECOLOGY  
**SIZE:** 32CM  
**DETAIL:** GYNECOLOGY



ARTICAL NO: PS-2396  
**NAME :** GYNECOLOGY  
**SIZE:**  
**DETAIL:**



**ARTICAL NO:** PS-2398  
**NAME :** GYNECOLOGY  
**SIZE:** 17CM  
**DETAIL:** GYNECOLOGY



**ARTICAL NO:** PS-2399  
**NAME :** GYNECOLOGY  
**SIZE:** 14.5CM  
**DETAIL:** GYNECOLOGY



**ARTICAL NO:** PS-2401  
**NAME :** GYNECOLOGY  
**SIZE:** 28CM  
**DETAIL:** GYNECOLOGY



**ARTICAL NO:** PS-2402  
**NAME :** GYNECOLOGY  
**SIZE:** 22.5CM  
**DETAIL:** GYNECOLOGY



**ARTICAL NO:** PS-2404  
**NAME :** GYNECOLOGY  
**SIZE:** 23.5CM  
**DETAIL:** GYNECOLOGY



**ARTICAL NO:** PS-2405  
**NAME :** GYNECOLOGY  
**SIZE:** 21.5CM  
**DETAIL:** GYNECOLOGY



**ARTICAL NO:** PS-2407  
**NAME :** GYNECOLOGY  
**SIZE:**  
**DETAIL:**



**ARTICAL NO:** PS-2408  
**NAME :** GYNECOLOGY  
**SIZE:**  
**DETAIL:**



**ARTICAL** NO: PS-2422

**NAME** : GYNECOLOGY

**SIZE**:

**DETAIL:**



**ARTICAL** NO: PS-2423

**NAME** : GYNECOLOGY

**SIZE**: 24CM

**DETAIL:** GYNECOLOGY



**ARTICAL** NO: PS-2425

**NAME** : GYNECOLOGY

**SIZE**:

**DETAIL:**



**ARTICAL** NO: PS-2426

**NAME** : GYNECOLOGY

**SIZE**: 31CM

**DETAIL:** GYNECOLOGY



**OBEXA Medical Equipments**  
Providing Quality In Healthcare

[Surgical Instruments](#)

[Gynecology](#)



**ARTICAL** NO: PS-2428  
**NAME** : GYNECOLOGY  
**SIZE** : 31CM  
**DETAIL**: GYNECOLOGY



**ARTICAL** NO: PS-2429  
**NAME** : GYNECOLOGY  
**SIZE**: 35 MM  
**DETAIL**: GYNECOLOGY



**ARTICAL NO:** PS-2801

**NAME :** OBSTETRICS

**SIZE:** 34 CM

**DETAIL:** OBSTETRICS



**ARTICAL NO:** PS-2802

**NAME :** OBSTETRICS

**SIZE:** 35,40 CM

**DETAIL:** OBSTETRICS



**ARTICAL NO:** PS-2804

**NAME :** OBSTETRICS

**SIZE:** 28 CM

**DETAIL:** OBSTETRICS



**ARTICAL NO:** PS-2805

**NAME :** OBSTETRICS

**SIZE:** 36.5CM

**DETAIL:** OBSTETRICS





**OBEXA Medical**  
Equipments  
Providing Quality In Healthcare

## Surgical Instruments *Obstetrics*



ARTICAL NO: PS-2807

**NAME :** OBSTETRICS

**SIZE:** 21CM

**DETAIL:** OBSTETRICS



ARTICAL NO: PS-2808

**NAME :** OBSTETRICS

**SIZE:** 32 CM

**DETAIL:** OBSTETRICS



ARTICAL NO: PS-2810

**NAME :** OBSTETRICS

**SIZE:** 28CM

**DETAIL:** OBSTETRICS



ARTICAL NO: PS-2811

**NAME :** OBSTETRICS

**SIZE:**

**DETAIL:**



**OBEXA Medical**  
Equipments  
Providing Quality In Healthcare

## Surgical Instruments *Obstetrics*



ARTICAL NO: PS-2813

**NAME :** OBSTETRICS

**SIZE:** 8.5CM

**DETAIL:** OBSTETRICS



ARTICAL NO: PS-2814

**NAME :** OBSTETRICS

**SIZE:** 8.5CM

**DETAIL:** OBSTETRICS



## Surgical Instruments *Otology*



ARTICAL NO: PS-2901

**NAME :** OTOLOGY

**SIZE:** 14.5,15,15.5CM

**DETAIL:** OTOLOGY



ARTICAL NO: PS-2902

**NAME :** OTOLOGY

**SIZE:** 15CM

**DETAIL:**



ARTICAL NO: PS-2904

**NAME :** OTOLOGY

**SIZE:** 16CM

**DETAIL:** OTOLOGY



ARTICAL NO: PS-2905

**NAME :** OTOLOGY

**SIZE:** 15.5CM

**DETAIL:** OTOLOGY



# Surgical Instruments *Otology*



ARTICAL NO: PS-2907  
**NAME :** OTOLOGY  
**SIZE:**  
**DETAIL:**

OTOLOGY



ARTICAL NO: PS-2908  
**NAME :** OTOLOGY  
**SIZE:**  
**DETAIL:**



ARTICAL NO: PS-2910  
**NAME :** OTOLOGY  
**SIZE:** 15.5CM  
**DETAIL:** OTOLOGY



ARTICAL NO: PS-2911  
**NAME :** OTOLOGY  
**SIZE:** 14.5CM  
**DETAIL:** OTOLOGY



**OBEXA Medical**  
Equipments  
Providing Quality In Healthcare

## Surgical Instruments *Otology*



ARTICAL NO: PS-2913

**NAME :** OTOLOGY

**SIZE:** 3.6CM

**DETAIL:**



ARTICAL NO: PS-2914

**NAME :** OTOLOGY

**SIZE:** 3.6CM

**DETAIL:**



ARTICAL NO: PS-2916

**NAME :** OTOLOGY

**SIZE:**

**DETAIL:**



ARTICAL NO: PS-2917

**NAME :** OTOLOGY

**SIZE:** 3.6CM

**DETAIL:** OTOLOGY



## Surgical Instruments *Otology*



ARTICAL NO: PS-2931

**NAME :** OTOLOGY

**SIZE:** 15CM

**DETAIL:** OTOLOGY



ARTICAL NO: PS-2932

**NAME :** OTOLOGY

**SIZE:** 18.5CM

**DETAIL:** OTOLOGY



ARTICAL NO: PS-2934

**NAME :** OTOLOGY

**SIZE:** 10.5CM

**DETAIL:** OTOLOGY



ARTICAL NO: PS-2935

**NAME :** OTOLOGY

**SIZE:** 11CM

**DETAIL:** OTOLOGY



**OBEXA Medical Equipments**  
Providing Quality in Healthcare

## Surgical Instruments *Otology*



ARTICAL NO: PS-2937

**NAME :** OTOLOGY

**SIZE:** 16CM

**DETAIL:**



ARTICAL NO: PS-2938

**NAME :** OTOLOGY

**SIZE:** 16CM

**DETAIL:** OTOLOGY



ARTICAL NO: PS-2940

**NAME :** OTOLOGY

**SIZE:** 12CM

**DETAIL:** OTOLOGY



ARTICAL NO: PS-2941

**NAME :** OTOLOGY

**SIZE:** 14CM

**DETAIL:** OTOLOGY



**ARTICAL NO:** PS-2949  
**NAME :** OTOLOGY  
**SIZE:**  
**DETAIL:**



**ARTICAL NO:** PS-2950  
**NAME :** OTOLOGY  
**SIZE:** 15CM  
**DETAIL:** OTOLOGY



**ARTICAL NO:** PS-2952  
**NAME :** OTOLOGY  
**SIZE:** 17CM  
**DETAIL:** OTOLOGY



**ARTICAL NO:** PS-2953  
**NAME :** OTOLOGY  
**SIZE:** 13CM  
**DETAIL:** OTOLOGY





## Surgical Instruments *Otology*



ARTICAL NO: PS-2955

**NAME :** OTOLOGY

**SIZE:** 16.5CM

**DETAIL:**



ARTICAL NO: PS-2956

**NAME :** OTOLOGY

**SIZE:** 17CM

**DETAIL:**



ARTICAL NO: PS-2958

**NAME :** OTOLOGY

**SIZE:**

**DETAIL:**



ARTICAL NO: PS-2959

**NAME :** OTOLOGY

**SIZE:** 16CM

**DETAIL:** OTOLOGY



**ARTICAL NO:** PS-2961  
**NAME :** OTOLOGY  
**SIZE:** 17CM  
**DETAIL:** OTOLOGY



**ARTICAL NO:** PS-2962  
**NAME :** OTOLOGY  
**SIZE:** 17CM  
**DETAIL:**



**ARTICAL NO:** PS-2964  
**NAME :** OTOLOGY  
**SIZE:** 15.5CM  
**DETAIL:** OTOLOGY



**ARTICAL NO:** PS-2965  
**NAME :** OTOLOGY  
**SIZE:** 16CM  
**DETAIL:** OTOLOGY



## Surgical Instruments *Otology*



ARTICAL NO: PS-2967  
**NAME :** OTOLOGY  
**SIZE:** 17.5CM  
**DETAIL:** OTOLOGY



ARTICAL NO: PS-2968  
**NAME :** OTOLOGY  
**SIZE:** 20.5CM  
**DETAIL:** OTOLOGY



ARTICAL NO: PS-2970  
**NAME :** OTOLOGY  
**SIZE:**  
**DETAIL:**



ARTICAL NO: PS-2971  
**NAME :** OTOLOGY  
**SIZE:**  
**DETAIL:**



## Surgical Instruments *Probes*



ARTICAL NO: PS-3214  
**NAME :** PROBES  
**SIZE:** 13,14.5,16 CM  
**DETAIL:** PROBES



ARTICAL NO: PS-3215  
**NAME :** PROBES  
**SIZE:** 11.5,13,14.5,16,18,20 CM  
**DETAIL:** PROBES



ARTICAL NO: PS-3217  
**NAME :** PROBES  
**SIZE:** 3,14.5,16 CM  
**DETAIL:** PROBES



ARTICAL NO: PS-3218  
**NAME :** PROBES  
**SIZE:** 10CM  
**DETAIL:**



**ARTICAL NO:** PS-3220  
**NAME :** PROBES  
**SIZE:** 13,14,16CM  
**DETAIL:** PROBES



**ARTICAL NO:** PS-3221  
**NAME :** PROBES  
**SIZE:** 13,14,16CM  
**DETAIL:** PROBES



**ARTICAL NO:** PS-3223  
**NAME :** PROBES  
**SIZE:** 16CM  
**DETAIL:**



**ARTICAL NO:** PS-3224  
**NAME :** PROBES  
**SIZE:** 16.5CM  
**DETAIL:** PROBES



## Surgical Instruments *Probes*



ARTICAL NO: PS-3226  
**NAME :** PROBES  
**SIZE:**  
**DETAIL:**



ARTICAL NO: PS-3227  
**NAME :** PROBES  
**SIZE:**  
**DETAIL:**



ARTICAL NO: PS-3229  
**NAME :**  
**SIZE:** 50CM  
**DETAIL:** PROBES



ARTICAL NO: PS-3230  
**NAME :**  
**SIZE:** 12,14,16CM  
**DETAIL:** PROBES



Surgical Instruments

Probes



ARTICAL NO: PS-3232  
NAME :  
SIZE: 15MM  
DETAIL: POBESR



**ARTICAL NO:** PS-3333  
**NAME :** SCALPELS  
**SIZE:** 22.5CM  
**DETAIL:** SCALPELS



**ARTICAL NO:** PS-3334  
**NAME :** SCALPELS  
**SIZE:** 21CM  
**DETAIL:** SCALPELS



**ARTICAL NO:** PS-3336  
**NAME :** SCALPELS  
**SIZE:** 9CM  
**DETAIL:** SCALPELS



**ARTICAL NO:** PS-3337  
**NAME :** SCALPELS  
**SIZE:** 9CM  
**DETAIL:** SCALPELS





**ARTICAL NO:** PS-3339  
**NAME :** SCALPELS  
**SIZE:** 11CM  
**DETAIL:** SCALPELS



**ARTICAL NO:** PS-3340  
**NAME :** SCALPELS  
**SIZE:** 13CM  
**DETAIL:** SCALPELS



**ARTICAL NO:** PS-3342  
**NAME :** SCALPELS  
**SIZE:** 16CM  
**DETAIL:** SCALPELS



**ARTICAL NO:** PS-3343  
**NAME :** SCALPELS  
**SIZE:**  
**DETAIL:**

## Surgical Instruments *Scalpels*



ARTICAL NO: PS-3345

**NAME :** SCALPELS

**SIZE:** 12CM

**DETAIL:** SCALPELS



ARTICAL NO: PS-3346

**NAME :** SCALPELS

**SIZE:**

**DETAIL:**



ARTICAL NO: PS-3348

**NAME :** SCALPELS

**SIZE:** 15.5CM

**DETAIL:** SCALPELS



ARTICAL NO: PS-3349

**NAME :** SCALPELS

**SIZE:** 14.5CM

**DETAIL:** SCALPELS



**ARTICAL NO:** PS-3469  
**NAME :** TONSILLECTOMY  
**SIZE:**  
**DETAIL:**



**ARTICAL NO:** PS-3470  
**NAME :** TONSILLECTOMY  
**SIZE:**  
**DETAIL:**



**ARTICAL NO:** PS-3472  
**NAME :** TONSILLECTOMY  
**SIZE:** 20.5CM  
**DETAIL:** TONSILLECTOMY



**ARTICAL NO:** PS-3473  
**NAME :** TONSILLECTOMY  
**SIZE:** 25CM  
**DETAIL:** TONSILLECTOMY



**OBEXA Medical Equipments**  
Providing Quality in Healthcare

## Surgical Instruments *Tonsillectomy*



ARTICAL NO: PS-3475  
**NAME :** TONSILLECTOMY  
**SIZE:** 22.5CM  
**DETAIL:** TONSILLECTOMY



ARTICAL NO: PS-3476  
**NAME :** TONSILLECTOMY  
**SIZE:** TONSILLECTOMY  
**DETAIL:** TONSILLECTOMY



ARTICAL NO: PS-3478  
**NAME :** TONSILLECTOMY  
**SIZE:** 17.5CM  
**DETAIL:** TONSILLECTOMY



ARTICAL NO: PS-3479  
**NAME :** TONSILLECTOMY  
**SIZE:** 18 CM  
**DETAIL:** TONSILLECTOMY



**OBEXA Medical Equipments**  
Providing Quality in Healthcare

## Surgical Instruments *Tonsillectomy*



ARTICAL NO: PS-3481  
**NAME :** TONSILLECTOMY  
**SIZE:**  
**DETAIL:**



ARTICAL NO: PS-3482  
**NAME :** TONSILLECTOMY  
**SIZE:** 19,18.5 CM  
**DETAIL:** TONSILLECTOMY



ARTICAL NO: PS-3484  
**NAME :** TONSILLECTOMY  
**SIZE:** 28.5CM  
**DETAIL:** TONSILLECTOMY



ARTICAL NO: PS-3485  
**NAME :** TONSILLECTOMY  
**SIZE:**  
**DETAIL:**



**ARTICAL NO:** PS-3593  
**NAME :** UROLOGY  
**SIZE:**  
**DETAIL:**



**ARTICAL NO:** PS-3594  
**NAME :** UROLOGY  
**SIZE:** 18.5,19,21,23 CM  
**DETAIL:** UROLOGY



**ARTICAL NO:** PS-3596  
**NAME :** UROLOGY  
**SIZE:** 16,17 CM  
**DETAIL:** UROLOGY



**ARTICAL NO:** PS-3597  
**NAME :** UROLOGY  
**SIZE:** 21 CM  
**DETAIL:** UROLOGY



**OBEXA Medical Equipments**  
Providing Quality in Healthcare

## Surgical Instruments *Urology*



ARTICAL NO: PS-3599

**NAME :** UROLOGY

**SIZE:**

**DETAIL:**



ARTICAL NO: PS-3600

**NAME :** UROLOGY

**SIZE:** 21CM

**DETAIL:** UROLOGY



ARTICAL NO: PS-3602

**NAME :** UROLOGY

**SIZE:** 24 CM

**DETAIL:**



ARTICAL NO: PS-3603

**NAME :** UROLOGY

**SIZE:**

**DETAIL:**



**OBEXA Medical Equipments**  
Providing Quality in Healthcare

## Surgical Instruments *Urology*



ARTICAL NO: PS-3605

**NAME :** UROLOGY

**SIZE:** 32 CM

**DETAIL:** UROLOGY



ARTICAL NO: PS-3606

**NAME :** UROLOGY

**SIZE:** 21.5CM

**DETAIL:** UROLOGY



ARTICAL NO: PS-3608

**NAME :** UROLOGY

**SIZE:** 22 CM

**DETAIL:** UROLOGY



ARTICAL NO: PS-3609

**NAME :** UROLOGY

**SIZE:** 21 CM

**DETAIL:**





## Surgical Instruments *Urology*



ARTICAL NO: PS-3611

**NAME :** UROLOGY

**SIZE:** 22 CM

**DETAIL:** UROLOGY



ARTICAL NO: PS-3612

**NAME :** UROLOGY

**SIZE:** 22 CM

**DETAIL:** UROLOGY



ARTICAL NO: PS-3614

**NAME :** UROLOGY

**SIZE:**

**DETAIL:**



ARTICAL NO: PS-3615

**NAME :** UROLOGY

**SIZE:**

**DETAIL:**



**ARTICAL NO:** PS-3736

**NAME :** TROCARS, SUCTION TUBES, CANNULAS

**SIZE:** 14CM

**DETAIL:** TROCARS, SUCTION TUBES, CANNULAS



**ARTICAL NO:** PS-3737

**NAME :** TROCARS, SUCTION TUBES, CANNULAS

**SIZE:** 20CM

**DETAIL:** TROCARS, SUCTION TUBES, CANNULAS



**ARTICAL NO:** PS-3739

**NAME :** TROCARS, SUCTION TUBES, CANNULAS

**SIZE:** 20CM

**DETAIL:** TROCARS, SUCTION TUBES, CANNULAS



**ARTICAL NO:** PS-3740

**NAME :** TROCARS, SUCTION TUBES, CANNULAS

**SIZE:** 24CM

**DETAIL:** TROCARS, SUCTION TUBES, CANNULAS



## Surgical Instruments

*Trocars, Suction Tubes, Cannulas*



ARTICAL NO: PS-3750

**NAME :** TROCARS, SUCTION TUBES,  
CANNULAS

**SIZE:** 15CM

**DETAIL:** TROCARS, SUCTION TUBES,  
CANNULAS



ARTICAL NO: PS-3751

**NAME :** TROCARS, SUCTION TUBES,  
CANNULAS

**SIZE:** 22CM (10MM (CHARR. 30))

**DETAIL:** TROCARS, SUCTION TUBES,  
CANNULAS



ARTICAL NO: PS-3753

**NAME :** TROCARS, SUCTION TUBES,  
CANNULAS

**SIZE:**

**DETAIL:**



ARTICAL NO: PS-3754

**NAME :** TROCARS, SUCTION TUBES,  
CANNULAS

**SIZE:** 31CM

**DETAIL:** TROCARS, SUCTION TUBES,  
CANNULAS



## Surgical Instruments

*Trocars, Suction Tubes, Cannulas*



ARTICAL NO: PS-3750

**NAME :** TROCARS, SUCTION TUBES,  
CANNULAS

**SIZE:** 15CM

**DETAIL:** TROCARS, SUCTION TUBES,  
CANNULAS



ARTICAL NO: PS-3751

**NAME :** TROCARS, SUCTION TUBES,  
CANNULAS

**SIZE:** 22CM (10MM (CHARR. 30))

**DETAIL:** TROCARS, SUCTION TUBES,  
CANNULAS



ARTICAL NO: PS-3753

**NAME :** TROCARS, SUCTION TUBES,  
CANNULAS

**SIZE:**

**DETAIL:**



ARTICAL NO: PS-3754

**NAME :** TROCARS, SUCTION TUBES,  
CANNULAS

**SIZE:** 31CM

**DETAIL:** TROCARS, SUCTION TUBES,  
CANNULAS



**ARTICAL NO:** PS-3756

**NAME :** TROCARS, SUCTION TUBES, CANNULAS

**SIZE:** 21CM

**DETAIL:** TROCARS, SUCTION TUBES, CANNULAS



**ARTICAL NO:** PS-3757

**NAME :** TROCARS, SUCTION TUBES, CANNULAS

**SIZE:** 33CM

**DETAIL:** TROCARS, SUCTION TUBES, CANNULAS



**ARTICAL NO:** PS-3759

**NAME :** TROCARS, SUCTION TUBES, CANNULAS

**SIZE:** 21.5CM

**DETAIL:** TROCARS, SUCTION TUBES, CANNULAS



**ARTICAL NO:** PS-3760

**NAME :** TROCARS, SUCTION TUBES, CANNULAS

**SIZE:** 24.5CM

**DETAIL:** TROCARS, SUCTION TUBES, CANNULAS



**OBEXA Medical Equipments**  
Providing Quality in Healthcare

## Surgical Instruments *Tracheotomy*



ARTICAL NO: PS-3874

**NAME :** TRACHEOTOMY

**SIZE:** 11.5CM

**DETAIL:** TRACHEOTOMY



ARTICAL NO: PS-3875

**NAME :** TRACHEOTOMY

**SIZE:** 14CM

**DETAIL:** TRACHEOTOMY



ARTICAL NO: PS-3877

**NAME :** TRACHEOTOMY

**SIZE:** 17CM

**DETAIL:**



ARTICAL NO: PS-3878

**NAME :** TRACHEOTOMY

**SIZE:** 13.5CM

**DETAIL:** TRACHEOTOMY



**ARTICAL NO:** PS-3880  
**NAME :** TRACHEOTOMY  
**SIZE:**  
**DETAIL:**



**ARTICAL NO:** PS-3881  
**NAME :** TRACHEOTOMY  
**SIZE:**  
**DETAIL:**



**ARTICAL NO:** PS-3883  
**NAME :** TRACHEOTOMY  
**SIZE:** 26CM  
**DETAIL:** TRACHEOTOMY



**ARTICAL NO:** PS-3884  
**NAME :** TRACHEOTOMY  
**SIZE:** 16.5CM  
**DETAIL:** TRACHEOTOMY



**ARTICAL NO:** PS-4038

**NAME :** STOMACH, INTESTINES, RECTUM

**SIZE:** 13CM

**DETAIL:** STOMACH, INTESTINES, RECTUM



**ARTICAL NO:** PS-4039

**NAME :** STOMACH, INTESTINES, RECTUM

**SIZE:** 15.5, 19, 25.5CM

**DETAIL:** STOMACH, INTESTINES, RECTUM



**ARTICAL NO:** PS-4041

**NAME :** STOMACH, INTESTINES, RECTUM

**SIZE:** 16CM

**DETAIL:** STOMACH, INTESTINES, RECTUM



**ARTICAL NO:** PS-4042

**NAME :** STOMACH, INTESTINES, RECTUM

**SIZE:** 15.5CM

**DETAIL:** STOMACH, INTESTINES, RECTUM





**ARTICAL NO:** PS-4044

**NAME :** STOMACH, INTESTINES, RECTUM

**SIZE:** 20.5CM

**DETAIL:** STOMACH, INTESTINES, RECTUM



**ARTICAL NO:** PS-4045

**NAME :** STOMACH, INTESTINES, RECTUM

**SIZE:** : 20CM

**DETAIL:** STOMACH, INTESTINES, RECTUM



**ARTICAL NO:** PS-4047

**NAME :** STOMACH, INTESTINES, RECTUM

**SIZE:** 20 CM

**DETAIL:** STOMACH, INTESTINES, RECTUM



**ARTICAL NO:** PS-4048

**NAME :** STOMACH, INTESTINES, RECTUM

**SIZE:**

**DETAIL:**



Surgical Instruments    Stomach, Intestines, Rectum



**ARTICAL NO:** PS-4062  
**NAME :** STOMACH, INTESTINES,  
RECTUM  
**SIZE:**  
**DETAIL:**



**ARTICAL NO:** PS-4063  
**NAME :** STOMACH, INTESTINES,  
RECTUM  
**SIZE:** 25CM  
**DETAIL:** STOMACH, INTESTINES,  
RECTUM



**ARTICAL NO:** PS-4065  
**NAME :** STOMACH, INTESTINES,  
RECTUM  
**SIZE:** 8.5,10CM  
**DETAIL:**



**ARTICAL NO:** PS-4066  
**NAME :** STOMACH, INTESTINES,  
RECTUM  
**SIZE:**  
**DETAIL:**



**OBEXA Medical Equipments**  
Providing Quality in Healthcare

## Surgical Instruments *Stomach, Intestines, Rectum*



ARTICAL NO: PS-4068

**NAME :** STOMACH, INTESTINES, RECTUM

**SIZE:**

**DETAIL:**



ARTICAL NO: PS-4069

**NAME :** STOMACH, INTESTINES, RECTUM

**SIZE:** 18 CM

**DETAIL:** STOMACH, INTESTINES, RECTUM



ARTICAL NO: PS-4071

**NAME :** STOMACH, INTESTINES, RECTUM

**SIZE:** 13.5CM

**DETAIL:** STOMACH, INTESTINES, RECTUM



ARTICAL NO: PS-4072

**NAME :** STOMACH, INTESTINES, RECTUM

**SIZE:** 26CM

**DETAIL:**



**ARTICAL NO:** PS-4074  
**NAME :** STOMACH, INTESTINES,  
RECTUM  
**SIZE:** 25CM  
**DETAIL:**



**ARTICAL NO:** PS-4075  
**NAME :** STOMACH, INTESTINES,  
RECTUM  
**SIZE:**  
**DETAIL:**



**ARTICAL NO:** PS-4077  
**NAME :** STOMACH, INTESTINES,  
RECTUM  
**SIZE:**  
**DETAIL:**



**ARTICAL NO:** PS-4078  
**NAME :** STOMACH, INTESTINES,  
RECTUM  
**SIZE:** 27CM  
**DETAIL:** STOMACH, INTESTINES,  
RECTUM



**OBEXA Medical Equipments**  
Providing Quality in Healthcare

## Surgical Instruments *Stomach, Intestines, Rectum*



ARTICAL NO: PS-4080

**NAME :** STOMACH, INTESTINES,  
RECTUM

**SIZE:** 25CM

**DETAIL:** STOMACH, INTESTINES,  
RECTUM



ARTICAL NO: PS-4081

**NAME :** STOMACH, INTESTINES,  
RECTUM

**SIZE:**

**DETAIL:**



ARTICAL NO: PS-4083

**NAME :** STOMACH, INTESTINES,  
RECTUM

**SIZE:** 15.5CM

**DETAIL:** STOMACH, INTESTINES,  
RECTUM



ARTICAL NO: PS-4084

**NAME :** STOMACH, INTESTINES,  
RECTUM

**SIZE:** 15.5CM

**DETAIL:** STOMACH, INTESTINES,  
RECTUM



**ARTICAL NO:** PS-4365

**NAME :** FORCEPS

**SIZE:**

10.5,11.5,13,14.5,16,18,20,23,26,30CM

**DETAIL:** FORCEPS



**ARTICAL NO:** PS-4366

**NAME :** FORCEPS

**SIZE:** 12,13,14.5,16,18,20,25,30CM

**DETAIL:** FORCEPS



**ARTICAL NO:** PS-4368

**NAME :** FORCEPS

**SIZE:** 15CM

**DETAIL:** FORCEPS



**ARTICAL NO:** PS-4369

**NAME :** FORCEPS

**SIZE:** 12CM

**DETAIL:** FORCEPS



## Surgical Instruments *Forceps*



ARTICAL NO: PS-4371  
**NAME :** FORCEPS  
**SIZE:**  
**DETAIL:**



ARTICAL NO: PS-4372  
**NAME :** FORCEPS  
**SIZE:** 20CM  
**DETAIL:** FORCEPS



ARTICAL NO: PS-4374  
**NAME :** FORCEPS  
**SIZE:** 12.5,15CM  
**DETAIL:** FORCEPS



ARTICAL NO: PS-4375  
**NAME :** FORCEPS  
**SIZE:** 17CM  
**DETAIL:**



## Surgical Instruments *Forceps*



ARTICAL NO: PS-4377  
**NAME :** FORCEPS  
**SIZE:** 15.5CM  
**DETAIL:** FORCEPS



ARTICAL NO: PS-4378  
**NAME :** FORCEPS  
**SIZE:** 17.5CM  
**DETAIL:** FORCEPS

ARTICAL NO: PS-4380  
**NAME :** FORCEPS  
**SIZE:** 24CM  
**DETAIL:**

ARTICAL NO: PS-4381  
**NAME :** FORCEPS  
**SIZE:** 24CM  
**DETAIL:**





# Surgical Instruments *Forceps*



ARTICAL NO: PS-4383

**NAME :** FORCEPS

**SIZE:**

10.5,11.5,13,14.5,16,18,20,23,25,30.5CM

**DETAIL:** FORCEPS



ARTICAL NO: PS-4384

**NAME :** FORCEPS

**SIZE:**

10.5,11.5,13,14.5,16,18,20,23,25,30.5CM

**DETAIL:** FORCEPS



ARTICAL NO: PS-4386

**NAME :** FORCEPS

**SIZE:** 12CM

**DETAIL:**



ARTICAL NO: PS-4387

**NAME :** FORCEPS

**SIZE:** 14.5,16CM

**DETAIL:** FORCEPS



**OBEXA Medical Equipments**  
Providing Quality in Healthcare

## Surgical Instruments *Forceps*



ARTICAL NO: PS-4389

**NAME :** FORCEPS

**SIZE:** 15.5CM

**DETAIL:**



ARTICAL NO: PS-4390

**NAME :** FORCEPS

**SIZE:**

**DETAIL:**



ARTICAL NO: PS-4392

**NAME :** FORCEPS

**SIZE:** 15.5CM

**DETAIL:**



ARTICAL NO: PS-4393

**NAME :** FORCEPS

**SIZE:** 17.5CM

**DETAIL:** FORCEPS



**ARTICAL NO:** PS-4395  
**NAME :** FORCEPS  
**SIZE:** 18CM  
**DETAIL:** FORCEPS



**ARTICAL NO:** PS-4396  
**NAME :** FORCEPS  
**SIZE:** 18CM  
**DETAIL:**



**ARTICAL NO:** PS-4398  
**NAME :** FORCEPS  
**SIZE:** 12,15CM  
**DETAIL:** FORCEPS



**ARTICAL NO:** PS-4399  
**NAME :** FORCEPS  
**SIZE:** 10.5CM  
**DETAIL:** FORCEPS



**ARTICAL NO:** PS-4401  
**NAME :** FORCEPS  
**SIZE:** 18CM  
**DETAIL:** FORCEPS



**ARTICAL NO:** PS-4402  
**NAME :** FORCEPS  
**SIZE:** 18,21,24CM  
**DETAIL:** FORCEPS



**ARTICAL NO:** PS-4404  
**NAME :** FORCEPS  
**SIZE:** 14.5,16CM  
**DETAIL:**



**ARTICAL NO:** PS-4405  
**NAME :** FORCEPS  
**SIZE:** 15.5CM  
**DETAIL:**



**OBEXA Medical Equipments**  
Providing Quality in Healthcare

## Surgical Instruments *Forceps*



ARTICAL NO: PS-4407

**NAME :** FORCEPS

**SIZE:** 10.5CM

**DETAIL:**



ARTICAL NO: PS-4408

**NAME :** FORCEPS

**SIZE:** 18CM

**DETAIL:**



ARTICAL NO: PS-4410

**NAME :** FORCEPS

**SIZE:** 10.5CM

**DETAIL:**



ARTICAL NO: PS-4411

**NAME :** FORCEPS

**SIZE:** 12,15CM

**DETAIL:**



Surgical Instruments

Forceps



**ARTICAL NO:** PS-4413  
**NAME :** FORCEPS  
**SIZE:** 12.5,15CM  
**DETAIL:** FORCEPS



**ARTICAL NO:** PS-4414  
**NAME :** FORCEPS  
**SIZE:** 17.5CM  
**DETAIL:**



**ARTICAL NO:** PS-4416  
**NAME :** FORCEPS  
**SIZE:** 17CM  
**DETAIL:**



**ARTICAL NO:** PS-4417  
**NAME :** FORCEPS  
**SIZE:** 18.5 CM  
**DETAIL:**



**OBEXA Medical Equipments**  
Providing Quality in Healthcare

## Surgical Instruments *Forceps*



ARTICAL NO: PS-4419

**NAME :** FORCEPS

**SIZE:** 17.5CM

**DETAIL:**



ARTICAL NO: PS-4420

**NAME :** FORCEPS

**SIZE:** 18 CM

**DETAIL:**



ARTICAL NO: PS-4422

**NAME :** FORCEPS

**SIZE:** 20 CM

**DETAIL:**



ARTICAL NO: PS-4423

**NAME :** FORCEPS

**SIZE:** 12CM

**DETAIL:**



**ARTICAL NO:** PS-4425  
**NAME :** FORCEPS  
**SIZE:** 12CM  
**DETAIL:**



**ARTICAL NO:** PS-4426  
**NAME :** FORCEPS  
**SIZE:** 12,15CM  
**DETAIL:**



**ARTICAL NO:** PS-4428  
**NAME :** FORCEPS  
**SIZE:** 10.5CM  
**DETAIL:**



**ARTICAL NO:** PS-4429  
**NAME :** FORCEPS  
**SIZE:** 12CM  
**DETAIL:**





Surgical Instruments

Forceps



**ARTICAL NO:** PS-4431  
**NAME :** FORCEPS  
**SIZE:** 11CM  
**DETAIL:**



**ARTICAL NO:** PS-4432  
**NAME :** FORCEPS  
**SIZE:** 11CM  
**DETAIL:**



**ARTICAL NO:** PS-4434  
**NAME :** FORCEPS  
**SIZE:** 15,20,25.5CM  
**DETAIL:**



**ARTICAL NO:** PS-4435  
**NAME :** FORCEPS  
**SIZE:** 15,20,25.5CM  
**DETAIL:**



**ARTICAL NO:** PS-4437  
**NAME :** FORCEPS  
**SIZE:** 17.5CM  
**DETAIL:**



**ARTICAL NO:** PS-4438  
**NAME :** FORCEPS  
**SIZE:** 13CM  
**DETAIL:**



**ARTICAL NO:** PS-4440  
**NAME :** FORCEPS  
**SIZE:** 23CM  
**DETAIL:**



**ARTICAL NO:** PS-4441  
**NAME :** FORCEPS  
**SIZE:** 10CM  
**DETAIL:**



Surgical Instruments

Forceps



**ARTICAL NO:** PS-4443  
**NAME :** FORCEPS  
**SIZE:** 15CM  
**DETAIL:**



**ARTICAL NO:** PS-4444  
**NAME :** FORCEPS  
**SIZE:** 15CM  
**DETAIL:**



**ARTICAL NO:** PS-4446  
**NAME :** FORCEPS  
**SIZE:** 15CM  
**DETAIL:**



**ARTICAL NO:** PS-4447  
**NAME :** FORCEPS  
**SIZE:** 12.5CM  
**DETAIL:**



**ARTICAL NO:** PS-4449  
**NAME :** FORCEPS  
**SIZE:** 12.5CM  
**DETAIL:**



**ARTICAL NO:** PS-4450  
**NAME :** FORCEPS  
**SIZE:** 12.5CM  
**DETAIL:**



**ARTICAL NO:** PS-4452  
**NAME :** FORCEPS  
**SIZE:** 7.5,9,11.5CM  
**DETAIL:**



**ARTICAL NO:** PS-4453  
**NAME :** FORCEPS  
**SIZE:** 10.5CM  
**DETAIL:**



Surgical Instruments

Forceps



**ARTICAL NO:** PS-4455  
**NAME :** FORCEPS  
**SIZE:** 10CM  
**DETAIL:**



**ARTICAL NO:** PS-4456  
**NAME :** FORCEPS  
**SIZE:** 9.5CM  
**DETAIL:**



**ARTICAL NO:** PS-4458  
**NAME :** FORCEPS  
**SIZE:** 8.5CM  
**DETAIL:**



**ARTICAL NO:** PS-4459  
**NAME :** FORCEPS  
**SIZE:** 9.5CM  
**DETAIL:**



**ARTICAL NO:** PS-4901  
**NAME :** RETRACTORS  
**SIZE:** 18.5 CM  
**DETAIL:** RETRACTORS



**ARTICAL NO:** PS-4902  
**NAME :** RETRACTORS  
**SIZE:** 17CM  
**DETAIL:**



**ARTICAL NO:** PS-4904  
**NAME :** RETRACTORS  
**SIZE:** 16CM  
**DETAIL:**



**ARTICAL NO:** PS-4905  
**NAME :** RETRACTORS  
**SIZE:** 12,14,16MM  
**DETAIL:**



Surgical Instruments

Forceps 1



**ARTICAL NO:** PS-4566  
**NAME :** FORCEPS 1  
**SIZE:** 14.5CM  
**DETAIL:**



**ARTICAL NO:** PS-4567  
**NAME :** FORCEPS 1  
**SIZE:** 14.5CM  
**DETAIL:**



**ARTICAL NO:** PS-4569  
**NAME :** FORCEPS 1  
**SIZE:** 18.5 CM  
**DETAIL:**



**ARTICAL NO:** PS-4570  
**NAME :** FORCEPS 1  
**SIZE:**  
**DETAIL:**



## Surgical Instruments *Forceps 1*



ARTICAL NO: PS-4572  
**NAME :** FORCEPS 1  
**SIZE:** 10CM  
**DETAIL:**



ARTICAL NO: PS-4573  
**NAME :** FORCEPS 1  
**SIZE:** 10.5CM  
**DETAIL:**



ARTICAL NO: PS-4575  
**NAME :** FORCEPS 1  
**SIZE :** 6CM  
**DETAIL:**



ARTICAL NO: PS-4576  
**NAME :** FORCEPS 1  
**SIZE:** 5,6,7CM  
**DETAIL:**





Surgical Instruments    Forceps 1



**ARTICAL NO:** PS-4578  
**NAME :** FORCEPS 1  
**SIZE:** 3.5,4.55,5,4.5,5,6CM  
**DETAIL:**



**ARTICAL NO:** PS-4579  
**NAME :** FORCEPS 1  
**SIZE:** 3.5,4.55,5,4.5,5,6CM  
**DETAIL:**



**ARTICAL NO:** PS-4581  
**NAME :** FORCEPS 1  
**SIZE:** 30,35,40,50MM  
**DETAIL:**



**ARTICAL NO:** PS-4582  
**NAME :** FORCEPS 1  
**SIZE:** 14.5,16CM  
**DETAIL:**



**ARTICAL NO:** PS-4584

**NAME :** FORCEPS 1

**SIZE:**

**DETAIL:**



**ARTICAL NO:** PS-4585

**NAME :** FORCEPS 1

**SIZE:**

**DETAIL:**



**ARTICAL NO:** PS-4587

**NAME :** FORCEPS 1

**SIZE:** 12.5CM

**DETAIL:**



**ARTICAL NO:** PS-4588

**NAME :** FORCEPS 1

**SIZE:** 25,26CM

**DETAIL:**



**OBEXA Medical Equipments**  
Providing Quality in Healthcare

## Surgical Instruments *Forceps 1*



ARTICAL NO: PS-4590  
**NAME :** FORCEPS 1  
**SIZE:** 15CM  
**DETAIL:**



ARTICAL NO: PS-4591  
**NAME :** FORCEPS 1  
**SIZE:**  
**DETAIL:**



ARTICAL NO: PS-4593  
**NAME :** FORCEPS 1  
**SIZE:** 12.5CM  
**DETAIL:**

ARTICAL NO: PS-4594  
**NAME :** FORCEPS 1  
**SIZE:** 13.5,13CM  
**DETAIL:**



**ARTICAL NO:** PS-4596  
**NAME :** FORCEPS 1  
**SIZE:** 12.5CM  
**DETAIL:**



**ARTICAL NO:** PS-4597  
**NAME :** FORCEPS 1  
**SIZE:**  
**DETAIL:**



**ARTICAL NO:** PS-4599  
**NAME :** FORCEPS 1  
**SIZE:** 12.5CM  
**DETAIL:**



**ARTICAL NO:** PS-4600  
**NAME :** FORCEPS 1  
**SIZE:** 12.5CM  
**DETAIL:**



Surgical Instruments    Forceps 2



**ARTICAL NO:** PS-4789  
**NAME :** FORCEPS 2  
**SIZE:** 22.5,26.5CM  
**DETAIL:**



**ARTICAL NO:** PS-4790  
**NAME :** FORCEPS 2  
**SIZE:** 13 CM  
**DETAIL:**



**ARTICAL NO:** PS-4792  
**NAME :** FORCEPS 2  
**SIZE:** 20CM  
**DETAIL:**



**ARTICAL NO:** PS-4793  
**NAME :** FORCEPS 2  
**SIZE:** 39.5CM  
**DETAIL:**



**ARTICAL NO:** PS-4795  
**NAME :** FORCEPS 2  
**SIZE:** : 23.5CM  
**DETAIL:**



**ARTICAL NO:** PS-4796  
**NAME :** FORCEPS 2  
**SIZE:** 26CM  
**DETAIL:**



**ARTICAL NO:** PS-4798  
**NAME :** FORCEPS 2  
**SIZE:** 25CM STR &  
**DETAIL:**



**ARTICAL NO:** PS-4799  
**NAME :** FORCEPS 2  
**SIZE:** 25CM  
**DETAIL:**



Surgical Instruments

Retractors



**ARTICAL NO:** PS-4907  
**NAME :** RETRACTORS  
**SIZE:** 15CM  
**DETAIL:**



**ARTICAL NO:** PS-4908  
**NAME :** RETRACTORS  
**SIZE:** 16CM  
**DETAIL:**



**ARTICAL NO:** PS-4910  
**NAME :** RETRACTORS  
**SIZE:** 15.5CM  
**DETAIL:**



**ARTICAL NO:** PS-4911  
**NAME :** RETRACTORS  
**SIZE:** 16.5CM  
**DETAIL:**



# Surgical Instruments *Retractors*



ARTICAL NO: PS-4913  
**NAME :** RETRACTORS  
**SIZE:** 2.5 MM  
**DETAIL:**



ARTICAL NO: PS-4914  
**NAME :** RETRACTORS  
**SIZE:** 12CM  
**DETAIL:**



ARTICAL NO: PS-4916  
**NAME :** RETRACTORS  
**SIZE:** 12,14,16,18MM  
**DETAIL:**



ARTICAL NO: PS-4917  
**NAME :** RETRACTORS  
**SIZE:** 16CM  
**DETAIL:**





## Surgical Instruments *Retractors*



ARTICAL NO: PS-4925  
**NAME :** RETRACTORS  
**SIZE:** 20.5CM  
**DETAIL:**



ARTICAL NO: PS-4926  
**NAME :** RETRACTORS  
**SIZE:** 20.5CM  
**DETAIL:**



ARTICAL NO: PS-4928  
**NAME :** RETRACTORS  
**SIZE:** 20.5CM  
**DETAIL:**



ARTICAL NO: PS-4929  
**NAME :** RETRACTORS  
**SIZE:** 24CM  
**DETAIL:**



Surgical Instruments

Retractors



**ARTICAL NO:** PS-4931  
**NAME :** RETRACTORS  
**SIZE:** 19 CM  
**DETAIL:**



**ARTICAL NO:** PS-4932  
**NAME :** RETRACTORS  
**SIZE:** 8CM  
**DETAIL:**



**ARTICAL NO:** PS-4934  
**NAME :** RETRACTORS  
**SIZE:** 16.5CM  
**DETAIL:**



**ARTICAL NO:** PS-4935  
**NAME :** RETRACTORS  
**SIZE:**  
**DETAIL:**



## Surgical Instruments *Retractors*



ARTICAL NO: PS-4937  
**NAME :** RETRACTORS  
**SIZE:** 22CM  
**DETAIL:**



ARTICAL NO: PS-4938  
**NAME :** RETRACTORS  
**SIZE:** 22.5CM  
**DETAIL:**



ARTICAL NO: PS-4940  
**NAME :** RETRACTORS  
**SIZE:** 20.5CM  
**DETAIL:**



ARTICAL NO: PS-4941  
**NAME :** RETRACTORS  
**SIZE:** 25.5CM  
**DETAIL:**



Surgical Instruments

Retractors



**ARTICAL NO:** PS-4961  
**NAME :** RETRACTORS  
**SIZE:** 23.5CM  
**DETAIL:**



**ARTICAL NO:** PS-4962  
**NAME :** RETRACTORS  
**SIZE:** 23.5CM  
**DETAIL:**



**ARTICAL NO:** PS-4964  
**NAME :** RETRACTORS  
**SIZE:**  
**DETAIL:**



**ARTICAL NO:** PS-4965  
**NAME :** RETRACTORS  
**SIZE:**  
**DETAIL:**



Surgical Instruments

Suture



**ARTICAL NO:** PS-5397  
**NAME :** SUTURE  
**SIZE:** 15CM  
**DETAIL:**



**ARTICAL NO:** PS-5398  
**NAME :** SUTURE  
**SIZE:** 15,18,21CM  
**DETAIL:**



**ARTICAL NO:** PS-5400  
**NAME :** SUTURE  
**SIZE:** 10,10.5CM  
**DETAIL:**



**ARTICAL NO:** PS-5401  
**NAME :** SUTURE  
**SIZE:** 13.5CM  
**DETAIL:**



**ARTICAL NO:** PS-5403  
**NAME :** SUTURE  
**SIZE:** 11.5,13.5,14CM  
**DETAIL:**



**ARTICAL NO:** PS-5404  
**NAME :** SUTURE  
**SIZE:** V13.5CM  
**DETAIL:**



**ARTICAL NO:** PS-5406  
**NAME :** SUTURE  
**SIZE:** 13CM  
**DETAIL:**



**ARTICAL NO:** PS-5407  
**NAME :** SUTURE  
**SIZE:** 13.5CM  
**DETAIL:**



**ARTICAL NO:** PS-5628  
**NAME :** SCISSORS  
**SIZE:** 12,13,14.5,16.5,18.5,20.5  
**DETAIL:**



**ARTICAL NO:** PS-5629  
**NAME :** SCISSORS  
**SIZE:** 12,13,14.5,16.5,18.5,20.5  
**DETAIL:**



**ARTICAL NO:** PS-5631  
**NAME :** SCISSORS  
**SIZE:** 12,13,14.5,16.5,18.5,20.5  
**DETAIL:**



**ARTICAL NO:** PS-5632  
**NAME :** SCISSORS  
**SIZE:** 12,13,14.5,16.5,18.5,20.5  
**DETAIL:**



# Surgical Instruments *Scissors*



ARTICAL NO: PS-5640  
**NAME :** SCISSORS  
**SIZE:** 22.5,23,28CM  
**DETAIL:**



ARTICAL NO: PS-5641  
**NAME :** SCISSORS  
**SIZE:**  
**DETAIL:**



ARTICAL NO: PS-5643  
**NAME :** SCISSORS  
**SIZE:** 6,19.5,21.5CM  
**DETAIL:**



ARTICAL NO: PS-5644  
**NAME :** SCISSORS  
**SIZE:** 17CM STR,  
**DETAIL:**



# Surgical Instruments *Scissors*



ARTICAL NO: PS-5665

**NAME :** SCISSORS

**SIZE:** 18CM

**DETAIL:**



ARTICAL NO: PS-5666

**NAME :** SCISSORS

**SIZE:** 18CM

**DETAIL:**



ARTICAL NO: PS-5669

**NAME :** SCISSORS

**SIZE:** 10.5CM

**DETAIL:**



ARTICAL NO: PS-5670

**NAME :** SCISSORS

**SIZE:** 16CM

**DETAIL:**



## Surgical Instruments *Scissors*



ARTICAL NO: PS-5672

**NAME :** SCISSORS

**SIZE:** 16CM

**DETAIL:**



ARTICAL NO: PS-5673

**NAME :** SCISSORS

**SIZE:** 13CM

**DETAIL:**



ARTICAL NO: PS-5675

**NAME :** SCISSORS

**SIZE:** 12CM

**DETAIL:**



ARTICAL NO: PS-5676

**NAME :** SCISSORS

**SIZE:** 11.5CM

**DETAIL:**



## Surgical Instruments *Scissors*



ARTICAL NO: PS-5678

**NAME :** SCISSORS

**SIZE:**

**DETAIL:**



ARTICAL NO: PS-5679

**NAME :** SCISSORS

**SIZE:** 11.5CM

**DETAIL:**



ARTICAL NO: PS-5681

**NAME :** SCISSORS

**SIZE:**

**DETAIL:**



ARTICAL NO: PS-5682

**NAME :** SCISSORS

**SIZE:** 15,18,18,23CM

**DETAIL:**



## Surgical Instruments *Scissors*



ARTICAL NO: PS-5684

**NAME :** SCISSORS

**SIZE:**

**DETAIL:**



ARTICAL NO: PS-5685

**NAME :** SCISSORS

**SIZE:**

**DETAIL:**



ARTICAL NO: PS-5687

**NAME :** SCISSORS

**SIZE:** 12CM

**DETAIL:**



ARTICAL NO: PS-5689

**NAME :** SCISSORS

**SIZE:** 12CM

**DETAIL:**



## Surgical Instruments *Scissors*



ARTICAL NO: PS-5691

**NAME :** SCISSORS

**SIZE:** 18CM

**DETAIL:**



ARTICAL NO: PS-5692

**NAME :** SCISSORS

**SIZE:** 18CM

**DETAIL:**



ARTICAL NO: PS-5694

**NAME :** SCISSORS

**SIZE:** 18CM

**DETAIL:**



ARTICAL NO: PS-5695

**NAME :** SCISSORS

**SIZE:**

**DETAIL:**

# Surgical Instruments *Scissors*



ARTICAL NO: PS-5697

**NAME :** SCISSORS

**SIZE:** 18CM

**DETAIL:**



ARTICAL NO: PS-5698

**NAME :** SCISSORS

**SIZE:** 18CM

**DETAIL:**



ARTICAL NO: PS-5700

**NAME :** SCISSORS

**SIZE:** 14CM

**DETAIL:**



ARTICAL NO: PS-5701

**NAME :** SCISSORS

**SIZE:** 12CM

**DETAIL:**

# Surgical Instruments *Scissors*



ARTICAL NO: PS-5703  
**NAME :** SCISSORS  
**SIZE:** 18,20,23CM  
**DETAIL:**



ARTICAL NO: PS-5704  
**NAME :** SCISSORS  
**SIZE:**  
**DETAIL:**



ARTICAL NO: PS-5706  
**NAME :** SCISSORS  
**SIZE:**  
**DETAIL:**



ARTICAL NO: PS-5707  
**NAME :** SCISSORS  
**SIZE:**  
**DETAIL:**

# Surgical Instruments *Scissors*



ARTICAL NO: PS-5709

**NAME :** SCISSORS

**SIZE:**

**DETAIL:**



ARTICAL NO: PS-5710

**NAME :** SCISSORS

**SIZE:**

**DETAIL:**



ARTICAL NO: PS-5712

**NAME :** SCISSORS

**SIZE:**

**DETAIL:**



ARTICAL NO: PS-5713

**NAME :** SCISSORS

**SIZE:**

**DETAIL:**



# Surgical Instruments *Scissors*



ARTICAL NO: PS-5715  
**NAME :** SCISSORS  
**SIZE:**  
**DETAIL:**



ARTICAL NO: PS-5716  
**NAME :** SCISSORS  
**SIZE:**  
**DETAIL:**



ARTICAL NO: PS-5718  
**NAME :** SCISSORS  
**SIZE:**  
**DETAIL:**



ARTICAL NO: PS-5719  
**NAME :** SCISSORS  
**SIZE:**  
**DETAIL:**



## Surgical Instruments *Scissors*



ARTICAL NO: PS-5721

**NAME :** SCISSORS

**SIZE:**

**DETAIL:**



ARTICAL NO: PS-5722

**NAME :** SCISSORS

**SIZE:**

**DETAIL:**



ARTICAL NO: PS-5724

**NAME :** SCISSORS

**SIZE:**

**DETAIL:**



ARTICAL NO: PS-5725

**NAME :** SCISSORS

**SIZE:**

**DETAIL:**