



SPARE PARTS

H O L L A N D



2024
CATALOG



SPARE PARTS
HOLLAND

OUR STORY

Spare Parts Holland is a leading supplier and distributor of tractor parts. Spare Parts Holland was founded in 2017 in Apeldoorn, a city in the center of The Netherlands. Everything started when 3 friends came up with a simple business idea: offering affordable tractor parts of the highest quality. Our goal is to provide the best quality parts and services for our customers with competitive prices. Over the years, our range has expanded from a few products to more than 500 parts. In these years Spare Parts Holland has grown rapidly to a worldwide reliable tractor parts supplier.



OUR OFFER

The Sparepartsholland.com assortment consists of tractor parts for both vintage, classic and modern tractors for the brands Massey Ferguson, Ford, New Holland, John Deere, Fiat, David Brown, Case, Renault, Zetor, Landini, Fendt, Leyland, Deutz, Same, Lamborghini, Universal and Ursus. We have a large proportion of tractor spare parts in stock in our warehouse in The Netherlands. All products are therefore delivered all over the world as quickly as possible. From Australia to the USA and from South Africa to Sweden: Spare Parts Holland supplies parts for tractors all over the world. We do our best to keep our stock as good as possible. A part that is out of stock will be delivered as soon as possible, clear communication about the delivery time with our customers is paramount.



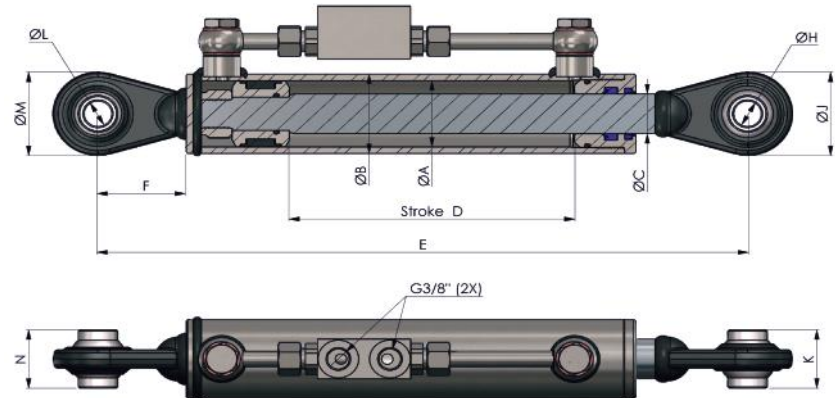
OUTSTANDING SERVICE

At Sparepartsholland.com we do everything we can to provide our customers with the right spare part. The detailed description of each part makes it easy for our customers to find the right part. If customers still have questions about a part, they can simply use the chat function on our website to ask for clarity. We make every effort to answer questions as quickly as possible and to provide customers with the desired part. Spare parts are shipped on a daily basis via our logistics partners. Due to the special arrangements we have been able to make with our logistics partners, the parts arrive at customers' locations quickly and safely.



ALL ORIGINAL NUMBERS, BRANDS AND MODELS FROM VEHICLE MANUFACTURERS LISTED IN THIS CATALOGUE ARE FOR REFERENCE PURPOSES ONLY.

HYDRAULIC TOP LINK



Cat 1 (Hole 19,2) Tractor 20→55 HP

No	SPH No	mm	A mm	B mm	C mm	J mm	H mm	K mm	M mm	L mm	N mm	E mm	F mm	D mm	G BSP
1	SPH320071	50/30-110	50	60	30	62	19,2	44	62	19,2	44	360+470	62	110	3/8"
2	SPH320031	50/30-160										410+570		160	
3	SPH320032	50/30-210										460+670		210	
4	SPH320033	50/30-280										530+810		280	
5	SPH320034	50/30-400										650+1050		400	

Cat 1 (Hole 25,4) Tractor 20→55 HP

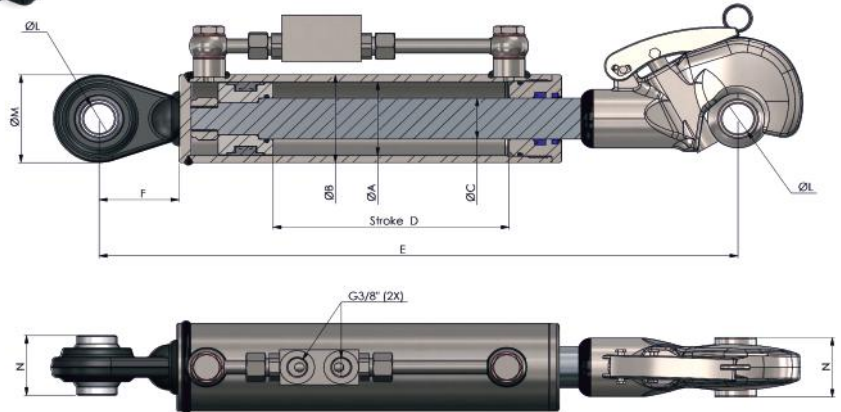
1	SPH320035	50/30-160	50	60	30	75	25,4	51	75	25,4	51	430+590	65	160	3/8"
2	SPH320036	50/30-210										480+690		210	
3	SPH320037	50/30-280										550+830		280	
4	SPH320038	50/30-400										670+1070		400	

Cat 2 (Hole 25,4) Tractor 45→95 HP

1	SPH320043	63/35-160	63	75	35	75	25,4	51	75	25,4	51	450+610	65	160	3/8"
2	SPH320044	63/35-210										500+710		210	
3	SPH320045	63/35-280										570+850		280	
4	SPH320046	63/35-400										690+1090		400	



HYDRAULIC TOP LINK HOOK



Cat 1 (Hole 19,2) Tractor 20→55 HP

No	SPH No	mm	A mm	B mm	C mm	M mm	L mm	N mm	E mm	F mm	D mm	G BSP
1	SPH320047	50/30-160 CAT 1							455→615		160	
2	SPH320048	50/30-210 CAT 1	50	60	30	62	19,2	44	505→715	62	210	3/8"
3	SPH320049	50/30-280 CAT 1							575→855		280	

Cat 2 (Hole 25,4) Tractor 45→95 HP

1	SPH320051	63/35-160 CAT 2							480→640		160	
2	SPH320052	63/35-210 CAT 2							530→740		210	
3	SPH320067	63/35-250 CAT 2	63	75	35	75	25,4	51	570→790	65	250	3/8"
4	SPH320053	63/35-280 CAT 2							600→880		280	
5	SPH320068	63/35-300 CAT 2							620→920		300	
6	SPH320054	63/35-400 CAT 2							720→1120		400	

Cat 3 (Hole 25,4) Tractor 90→210 HP

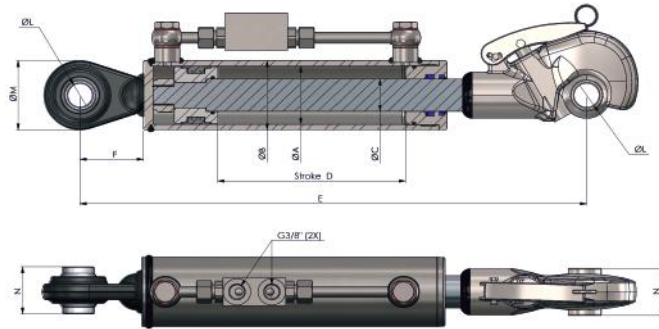
1	SPH320055	80/40-210 CAT 3	80	92	40	85	25,4	51	575→785	72	210	3/8"
2	SPH320056	80/40-280 CAT 3							645→925		280	

Cat 3 (Hole 32,4) Tractor 90→210 HP

1	SPH320057	80/40-210 CAT 3	80	92	40	85	32,4	51	585→795	65	210	3/8"
2	SPH320058	80/40-280 CAT 3							655→935		280	



HYDRAULIC TOP LINK HOOK



Cat 2 (Hole 25,4) Tractor 45→95 HP

No	SPH No	mm	A mm	B mm	C mm	M mm	L mm	N mm	E mm	F mm	D mm	G BSP
1	SPH320015	60/40-176 CAT 2	60	70	40	75	25,4	51	500→676	65	176	3/8"
2	SPH320016	60/40-225 CAT 2							550→776		226	
3	SPH320017	60/40-275 CAT 2							600→876		276	
4	SPH320066	60/40-355 CAT 2							680→1036		356	



Hydraulic Top Link Valve Type Hose Kit

SPH500184



Top Link Holder for Tractor

SPH500198

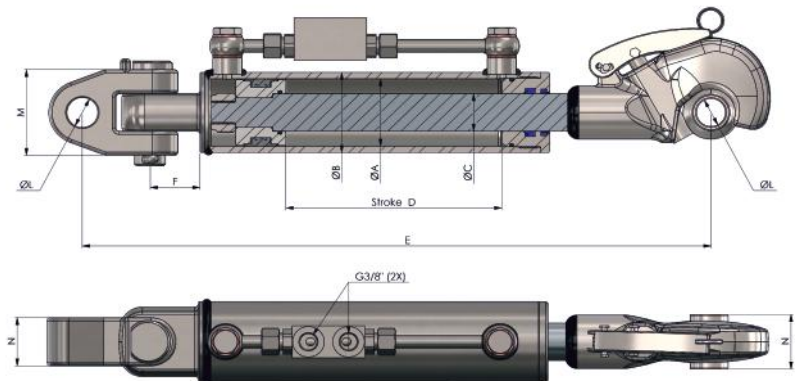


SPARE PARTS
HOLLAND

3



HYDRAULIC TOP LINK BALL JOINT



Cat 2 (Hole 25,4) Tractor 45→95 HP

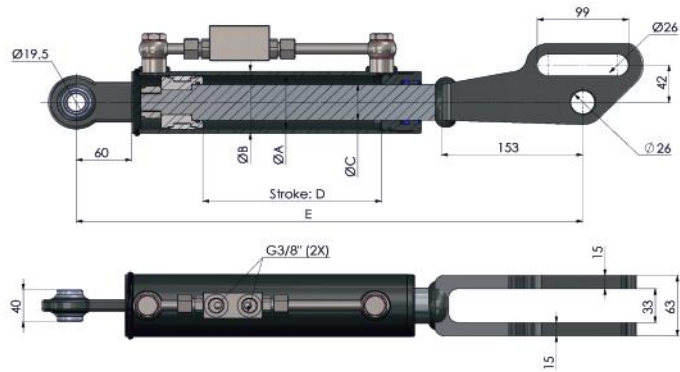
No	SPH No	mm	A mm	B mm	C mm	M mm	L mm	N mm	E mm	F mm	D mm	G BSP
1	SPH320059	63/35-210 CAT 2	63	75	35	85	25,4	51	585→795	45	210	3/8"
2	SPH320060	63/35-280 CAT 2							655→935		280	

Cat 3 (Hole 32,4) Tractor 90→210 HP

No	SPH No	mm	A mm	B mm	C mm	M mm	L mm	N mm	E mm	F mm	D mm	G BSP
1	SPH320061	80-40-210 CAT 3	80	92	40	85	32,4	51	635→845	50	210	3/8"
2	SPH320062	80-40-280 CAT 3							700→980		28/0	

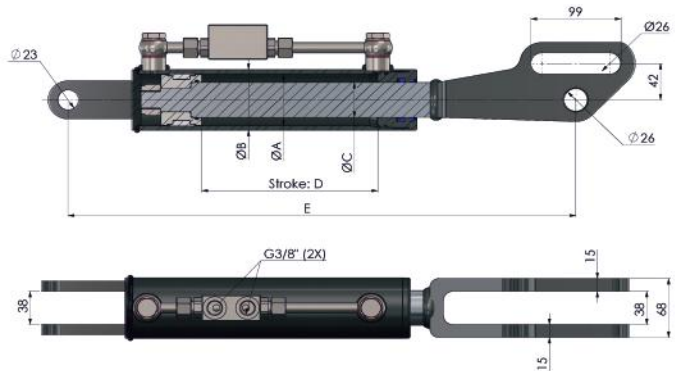


HYDRAULIC SIDE LINK



Hole 2 Tons

No	SPH No	mm	A mm	B mm	C mm	E mm	D mm
1	SPH320100	60/40-100	60	70	40	450-550	100
2	SPH320101	60/40-150				500-650	150
3	SPH320102	60/40-200				550-750	200



Fork 2 Tons

No	SPH No	mm	A mm	B mm	C mm	E mm	D mm
1	SPH320106	60/40-100	60	70	40	450-550	100
2	SPH320107	60/40-150				500-650	150
3	SPH320108	60/40-166				550-716	166

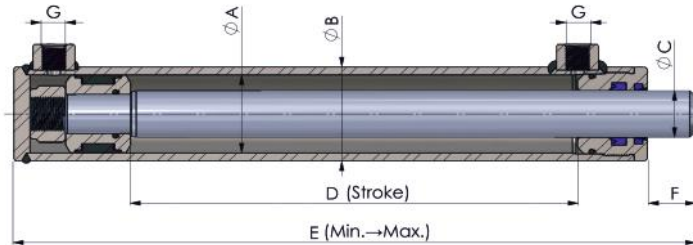




HYDRAULIC CYLINDER



HYDRAULIC CYLINDER STANDARD



Standard 25/16

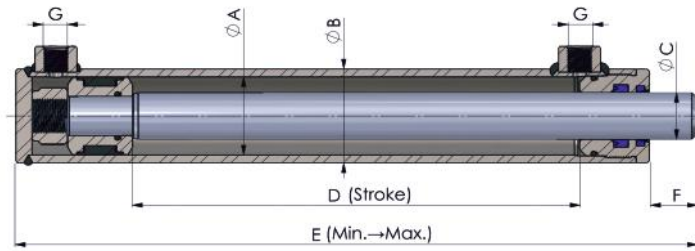
No	SPH No	Standard 25/16	A mm	B mm	C mm	D mm	E mm	F mm	G
1	SPH340528	25/16-50	25	32	16	50	150→200	22	3/8"
2	SPH340529	25/16-100				100	200→300		
3	SPH340530	25/16-150				150	250→400		
4	SPH340531	25/16-200				200	300→500		
5	SPH340532	25/16-250				250	350→600		
6	SPH340533	25/16-300				300	400→700		

Standard 32/20

No	SPH No	Standard 32/20	A mm	B mm	C mm	D mm	E mm	F mm	G
1	SPH340020	32/20-50	32	40	20	50	180→230	22	3/8"
2	SPH340021	32/20-100				100	230→330		
3	SPH340022	32/20-150				150	280→430		
4	SPH340023	32/20-200				200	330→530		
5	SPH340024	32/20-250				250	380→630		
6	SPH340025	32/20-300				300	430→730		
7	SPH340026	32/20-350				350	480→830		
8	SPH340027	32/20-400				400	530→930		
9	SPH340028	32/20-450				450	580→1030		
10	SPH340029	32/20-500				500	630→1130		



HYDRAULIC CYLINDER STANDARD



Standard 40/25

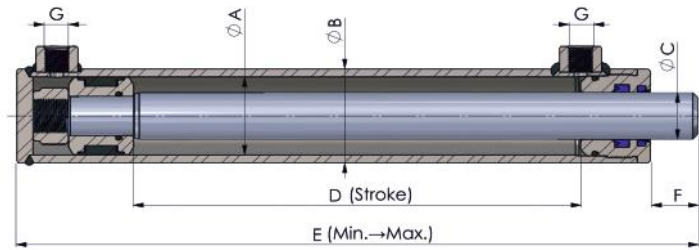
No	SPH No	Standard 40/25	A mm	B mm	C mm	D mm	E mm	F mm	G
1	SPH340036	40/25-50	40	50	25	50	180→230	22	3/8"
2	SPH340037	40/25-100				100	230→330		
3	SPH340038	40/25-150				150	280→430		
4	SPH340039	40/25-200				200	330→530		
5	SPH340040	40/25-250				250	380→630		
6	SPH340041	40/25-300				300	430→730		
7	SPH340042	40/25-350				350	480→830		
8	SPH340043	40/25-400				400	530→930		
9	SPH340044	40/25-450				450	580→1030		
10	SPH340045	40/25-500				500	630→1130		
11	SPH340046	40/25-550				550	680→1230		
12	SPH340047	40/25-600				600	730→1330		
13	SPH340048	40/25-700				700	830→1530		

Standard 50/30

No	SPH No	Standard 50/30	A mm	B mm	C mm	D mm	E mm	F mm	G
1	SPH340057	50/30-100	50	60	30	100	240→340	22	3/8"
2	SPH340058	50/30-150				150	290→440		
3	SPH340059	50/30-200				200	340→540		
4	SPH340060	50/30-250				250	390→640		
5	SPH340061	50/30-300				300	440→740		
6	SPH340062	50/30-350				350	490→840		
7	SPH340063	50/30-400				400	540→940		
8	SPH340064	50/30-450				450	590→1040		
9	SPH340065	50/30-500				500	640→1140		
10	SPH340066	50/30-550				550	690→1240		
11	SPH340067	50/30-600				600	740→1340		
12	SPH340068	50/30-700				700	840→1540		



HYDRAULIC CYLINDER STANDARD



Standard 60/30

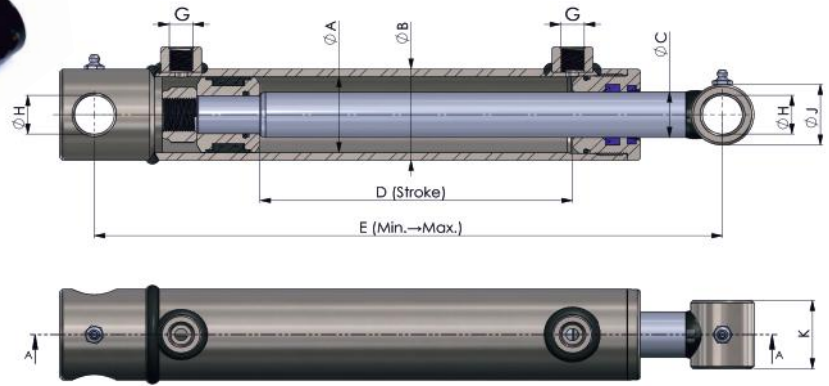
No	SPH No	Standard 60/30	A mm	B mm	C mm	D mm	E mm	F mm	G
1	SPH340077	60/30-100	60	70	30	100	260→360	23	3/8"
2	SPH340078	60/30-150				150	310→460		
3	SPH340079	60/30-200				200	360→560		
4	SPH340080	60/30-250				250	410→660		
5	SPH340081	60/30-300				300	460→760		
6	SPH340082	60/30-350				350	510→860		
7	SPH340083	60/30-400				400	560→960		
8	SPH340084	60/30-450				450	610→1060		
9	SPH340085	60/30-500				500	660→1160		
10	SPH340086	60/30-600				600	760→1360		
11	SPH340087	60/30-700				700	860→1560		

Standard 70/40

No	SPH No	Standard 70/40	A mm	B mm	C mm	D mm	E mm	F mm	G
1	SPH340096	70/40-100	70	80	40	100	271→371	34	3/8"
2	SPH340097	70/40-150				150	321→471		
3	SPH340098	70/40-200				200	371→571		
4	SPH340099	70/40-250				250	421→671		
5	SPH340100	70/40-300				300	471→771		
6	SPH340101	70/40-350				350	521→871		
7	SPH340102	70/40-400				400	571→971		
8	SPH340103	70/40-450				450	621→1071		
9	SPH340104	70/40-500				500	671→1171		
10	SPH340105	70/40-550				550	721→1271		
11	SPH340106	70/40-600				600	771→1371		
12	SPH340107	70/40-700				700	871→1571		



HYDRAULIC CYLINDER HOLE



Hole 25/16

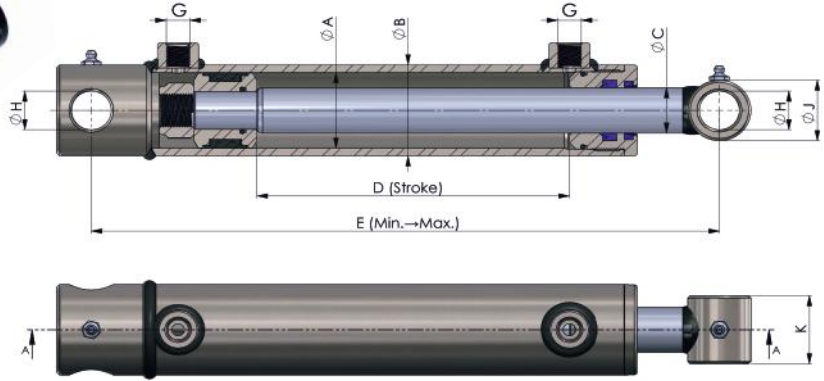
No	SPH No	Hole 25/16	A mm	B mm	C mm	D mm	E mm	H mm	J mm	K mm	G
1	SPH340483	25/16-50	25	32	16	50	160→210	12,1	25	25	1/4"
2	SPH340484	25/16-100				100	210→310				
3	SPH340485	25/16-150				150	260→410				
4	SPH340486	25/16-200				200	310→510				

Hole 32/20

No	SPH No	Hole 32/20	A mm	B mm	C mm	D mm	E mm	H mm	J mm	K mm	G
1	SPH340487	32/20-50	32	40	20	50	205→255	16,2	30	35	1/4"
2	SPH340488	32/20-100				100	255→355				
3	SPH340489	32/20-150				150	305→455				
4	SPH340490	32/20-200				200	355→555				
5	SPH340491	32/20-250				250	405→655				
6	SPH340492	32/20-300				300	455→755				
7	SPH340493	32/20-400				400	555→955				
8	SPH340494	32/20-500				500	655→1155				



HYDRAULIC CYLINDER HOLE

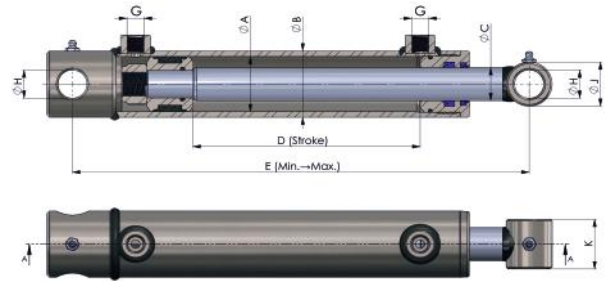


Hole 40/25

No	SPH No	Hole 40/25	A mm	B mm	C mm	D mm	E mm	H mm	J mm	K mm	G
1	SPH340236	40/25-100	40	50	25	100	270→370	20,5	35	40	3/8"
2	SPH340237	40/25-150				150	320→470				
3	SPH340238	40/25-200				200	370→570				
4	SPH340239	40/25-250				250	420→670				
5	SPH340240	40/25-300				300	470→770				
6	SPH340241	40/25-350				350	520→870				
7	SPH340242	40/25-400				400	570→970				
8	SPH340243	40/25-450				450	620→1070				
9	SPH340244	40/25-500				500	670→1170				
10	SPH340245	40/25-550				550	720→1270				
11	SPH340246	40/25-600				600	770→1370				
12	SPH340247	40/25-700				700	870→1570				
13	SPH340248	40/25-800				800	970→1770				



HYDRAULIC CYLINDER HOLE



Hole 50/30

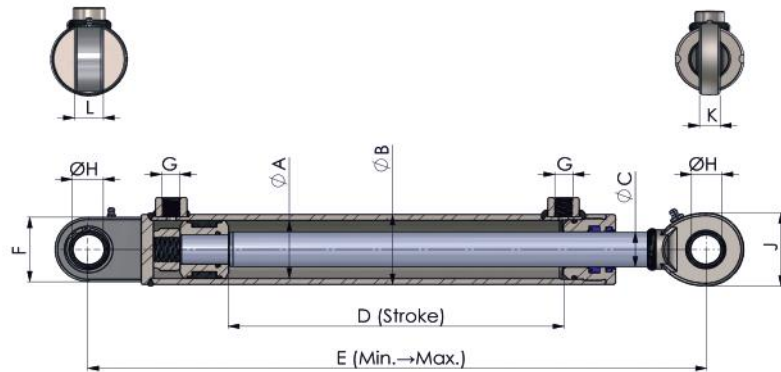
No	SPH No	Hole 50/30	A mm	B mm	C mm	D mm	E mm	H mm	J mm	K mm	G
1	SPH340251	50/30-100	50	60	30	100	270→370	25,5	40	45	3/8"
2	SPH340252	50/30-150				150	320→470				
3	SPH340253	50/30-200				200	370→570				
4	SPH340254	50/30-250				250	420→670				
5	SPH340255	50/30-300				300	470→770				
6	SPH340256	50/30-350				350	520→870				
7	SPH340257	50/30-400				400	570→970				
8	SPH340258	50/30-450				450	620→1070				
9	SPH340259	50/30-500				500	670→1170				
10	SPH340260	50/30-550				550	720→1270				
11	SPH340261	50/30-600				600	770→1370				
12	SPH340262	50/30-700				700	870→1570				
13	SPH340263	50/30-800				800	970→1770				

Hole 70/40

No	SPH No	Hole 70/40	A mm	B mm	C mm	D mm	E mm	H mm	J mm	K mm	G
1	SPH340266	70/40-100	70	80	40	100	310→410	30,5	50	55	3/8"
2	SPH340267	70/40-150				150	360→510				
3	SPH340268	70/40-200				200	410→610				
4	SPH340269	70/40-250				250	460→710				
5	SPH340270	70/40-300				300	510→810				
6	SPH340271	70/40-350				350	560→910				
7	SPH340272	70/40-400				400	610→1010				
8	SPH340273	70/40-450				450	660→1110				
9	SPH340274	70/40-500				500	710→1210				
10	SPH340275	70/40-600				600	810→1410				
11	SPH340276	70/40-700				700	910→1610				
12	SPH340277	70/40-800				800	1010→1810				



HYDRAULIC CYLINDER POINT

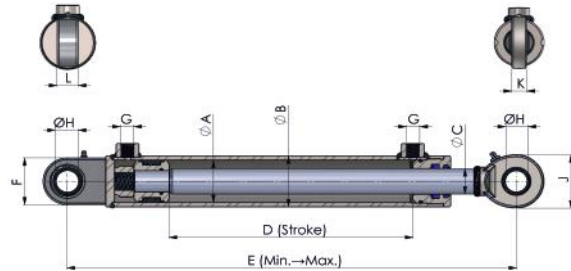


Point 40/25

No	SPH No	Point 40/25	A mm	B mm	C mm	D mm	E mm	H mm	J mm	K mm	F mm	L mm	G
1	SPH340178	40/25-100	40	50	25	100	306→406	20	53	16	50	19	3/8"
2	SPH340179	40/25-150				150	356→506						
3	SPH340180	40/25-200				200	406→606						
4	SPH340181	40/25-250				250	456→706						
5	SPH340182	40/25-300				300	506→806						
6	SPH340183	40/25-350				350	556→906						
7	SPH340184	40/25-400				400	606→1006						
8	SPH340185	40/25-450				450	656→1106						
9	SPH340186	40/25-500				500	706→1206						
10	SPH340187	40/25-550				550	756→1306						
11	SPH340188	40/25-600				600	806→1406						
12	SPH340189	40/25-700				700	906→1606						
13	SPH340190	40/25-800				800	1006→1806						



HYDRAULIC CYLINDER POINT



Point 50/30

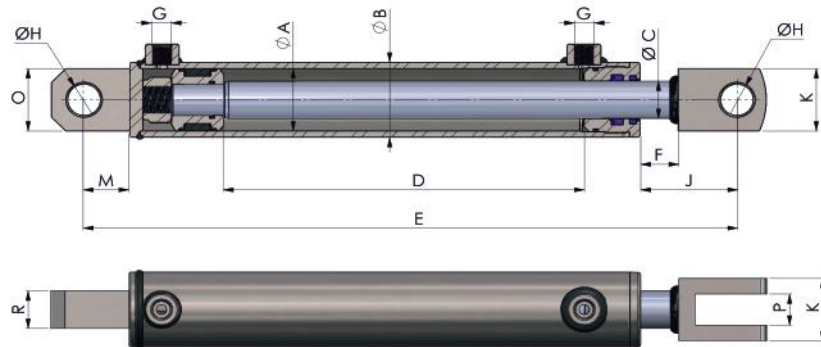
No	SPH No	Point 50/30	A mm	B mm	C mm	D mm	E mm	H mm	J mm	K mm	F mm	L mm	G
1	SPH340193	50/30-100	50	60	30	100	330→430	25	64	20	55	23	3/8"
2	SPH340194	50/30-150				150	380→530						
3	SPH340195	50/30-200				200	430→630						
4	SPH340196	50/30-250				250	480→730						
5	SPH340197	50/30-300				300	530→830						
6	SPH340198	50/30-350				350	580→930						
7	SPH340199	50/30-400				400	630→1030						
8	SPH340200	50/30-450				450	680→1130						
9	SPH340201	50/30-500				500	730→1230						
10	SPH340202	50/30-550				550	780→1330						
11	SPH340203	50/30-600				600	830→1430						
12	SPH340204	50/30-700				700	930→1630						
13	SPH340205	50/30-800				800	1030→1830						

Point 60/40

No	SPH No	Point 60/40	A mm	B mm	C mm	D mm	E mm	H mm	J mm	K mm	F mm	L mm	G
1	SPH340208	60/40-100	60	70	40	100	362→462	30	73	22	65	28	3/8"
2	SPH340209	60/40-150				150	412→562						
3	SPH340210	60/40-200				200	462→662						
4	SPH340211	60/40-250				250	512→762						
5	SPH340212	60/40-300				300	562→862						
6	SPH340213	60/40-350				350	612→962						
7	SPH340214	60/40-400				400	662→1062						
8	SPH340215	60/40-450				450	712→1162						
9	SPH340216	60/40-500				500	762→1262						
10	SPH340217	60/40-600				600	862→1462						
11	SPH340218	60/40-700				700	962→1662						
12	SPH340219	60/40-800				800	1062→1862						



HYDRAULIC CYLINDER FORK

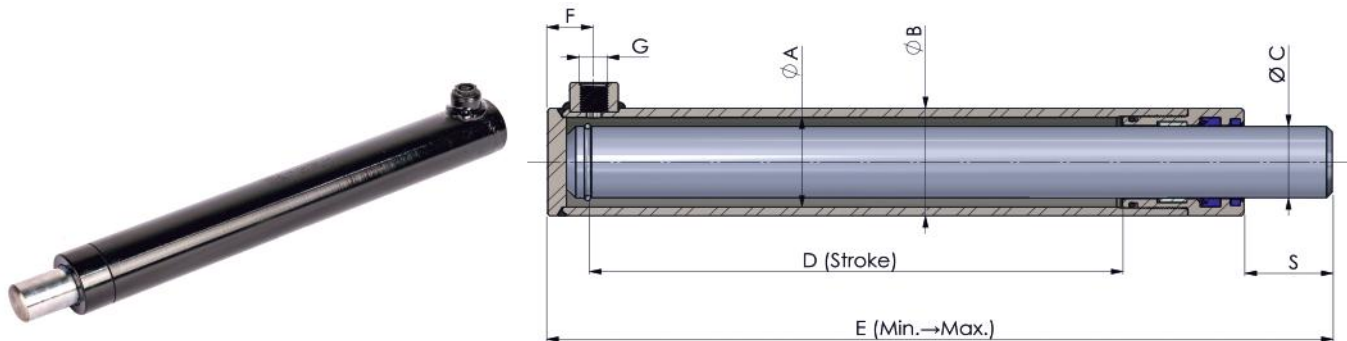


Fork 50/30

No	SPH No	Fork 50/30	A mm	B mm	C mm	D mm	E mm	H mm	K mm	P mm	O mm	F mm	J mm	R mm	M mm	G
1	SPH340294	50/30-100	50	60	30	100	320→420	25	50	25	50	17	62	30	35	3/8"
2	SPH340295	50/30-150				150	370→520									
3	SPH340296	50/30-200				200	420→620									
4	SPH340297	50/30-250				250	470→720									
5	SPH340298	50/30-300				300	520→820									
6	SPH340299	50/30-350				350	570→920									
7	SPH340300	50/30-400				400	620→1020									
8	SPH340301	50/30-450				450	670→1120									
9	SPH340302	50/30-500				500	720→1220									



SINGLE ACTING HYDRAULIC CYLINDER STANDARD



Standard 40/30

No	SPH No	Standard 40/30	A mm	B mm	C mm	D mm	E mm	S mm	F mm	G
1	SPH340541	40/30-200	40	50	30	200	326→526	40	23	3/8"
2	SPH340542	40/30-250				250	375→626			
3	SPH340543	40/30-300				300	426→726			
4	SPH340544	40/30-350				350	476→826			
5	SPH340545	40/30-400				400	526→926			
6	SPH340546	40/30-500				500	626→1126			

Standard 50/40

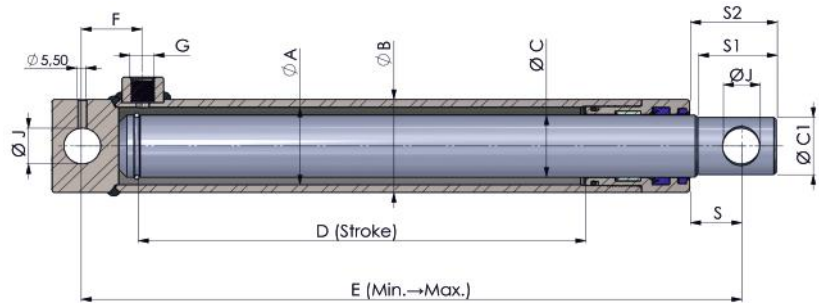
No	SPH No	Standard 50/40	A mm	B mm	C mm	D mm	E mm	S mm	F mm	G
1	SPH340547	50/40-200	50	60	40	200	338→538	45	26	3/8"
2	SPH340548	50/40-300				300	438→738			
3	SPH340549	50/40-400				400	538→938			
4	SPH340550	50/40-500				500	638→1138			
5	SPH340551	50/40-600				600	738→1338			

Standard 60/50

No	SPH No	Standard 60/50	A mm	B mm	C mm	D mm	E mm	S mm	F mm	G
1	SPH340552	60/50-300	60	70	50	300	450→750	50	30	3/8"
2	SPH340553	60/50-400				400	550→950			
3	SPH340554	60/50-500				500	650→1150			
4	SPH340555	60/50-600				600	750→1350			



SINGLE ACTING HYDRAULIC CYLINDER HOLE



Hole 30/25

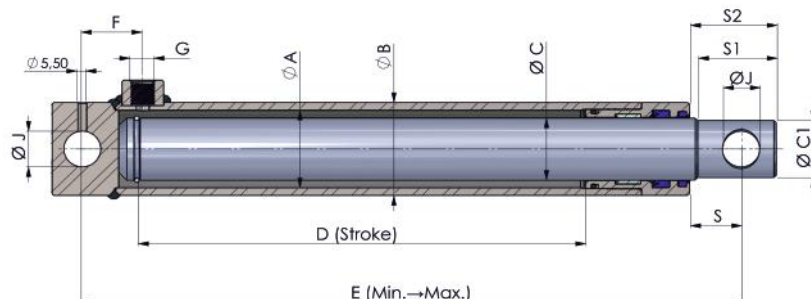
No	SPH No	Hole 30/25	A mm	B mm	C mm	D mm	E mm	S mm	C1 mm	J mm	S1 mm	S2 mm	F mm	G
1	SPH340556	30/25-100	30	40	25	100	190+290	24	22	14	35	38	40	3/8"
2	SPH340557	30/25-150				150	240+390							
3	SPH340558	30/25-200				200	290+490							
4	SPH340559	30/25-250				250	340+590							
5	SPH340560	30/25-300				300	390+690							

Hole 40/30

No	SPH No	Hole 40/30	A mm	B mm	C mm	D mm	E mm	S mm	C1 mm	J mm	S1 mm	S2 mm	F mm	G
1	SPH340561	40/30-200	40	50	30	200	300+500	26	27	16	37	42	42	3/8"
2	SPH340562	40/30-250				250	350+600							
3	SPH340563	40/30-300				300	400+700							
4	SPH340564	40/30-350				350	450+800							
5	SPH340565	40/30-400				400	500+900							
6	SPH340566	40/30-550				550	650+1200							



SINGLE ACTING HYDRAULIC CYLINDER HOLE



Hole 50/40

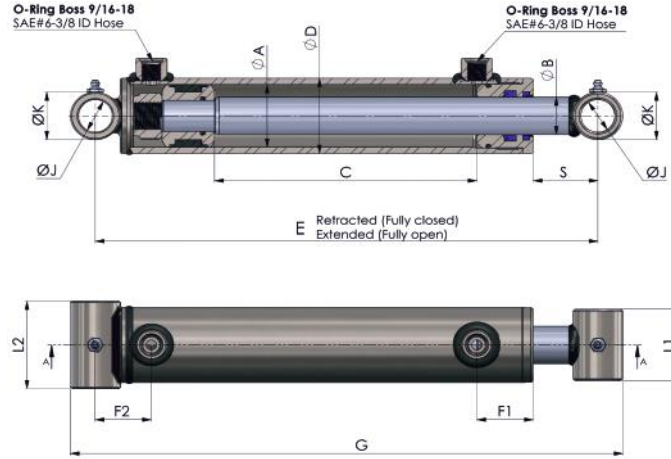
No	SPH No	Hole 50/40	A mm	B mm	C mm	D mm	E mm	S mm	C1 mm	J mm	S1 mm	S2 mm	F mm	G
1	SPH340567	50/40-200	50	60	40	200	330→530	32	37	23	49	54	47	3/8"
2	SPH340568	50/40-250				250	380→630							
3	SPH340569	50/40-300				300	430→730							
4	SPH340570	50/40-350				350	480→830							
5	SPH340571	50/40-400				400	530→930							
6	SPH340572	50/40-550				550	680→1230							
7	SPH340573	50/40-700				700	830→1530							

Hole 60/50

No	SPH No	Hole 60/50	A mm	B mm	C mm	D mm	E mm	S mm	C1 mm	J mm	S1 mm	S2 mm	F mm	G
1	SPH340574	60/50-300	60	70	50	300	460→760	49	47	25,5	65	74	50	3/8"
2	SPH340575	60/50-400				400	560→960							
3	SPH340576	60/50-550				550	710→1260							
4	SPH340577	60/50-700				700	860→1560							



HYDRAULIC CYLINDER TUBE



Tube 1,5 x 1

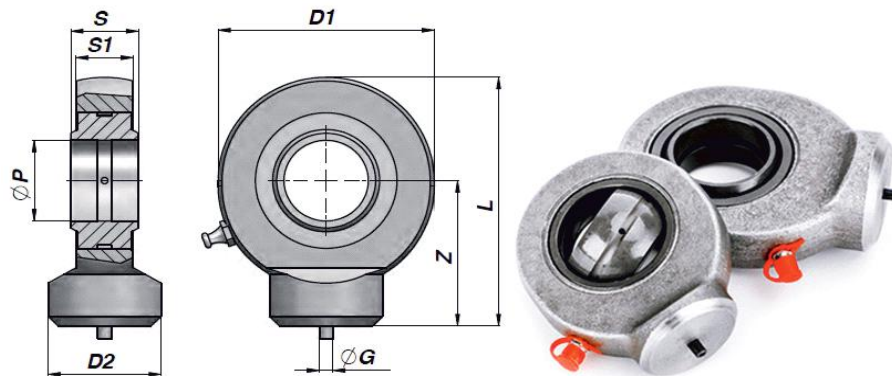
No	SPH No	Tube 1,5 x 1	A mm	B mm	C mm	D mm	E mm	J mm	K mm	S mm	F1 mm	F2 mm	L1 mm	L2 mm	G
1	SPH340510	1,5X8	1,5"	1"	8"	2"	16" → 24"	0,76"	1,26"	3,15"	1,58"	1,5"	2"	2"	17,25"
2	SPH340511	1,5X10			10"		18" → 28"								19,25"
3	SPH340512	1,5X12			12"		20" → 32"								21,25"
4	SPH340513	1,5X14			14"		22" → 36"								23,25"
5	SPH340514	1,5X16			16"		24" → 40"								25,25"
6	SPH340515	1,5X18			18"		26" → 44"								27,25"
7	SPH340516	1,5X20			20"		28" → 48"								29,25"
8	SPH340517	1,5X22			22"		30" → 52"								31,25"

Tube 2x 1,2

No	SPH No	Tube 2x 1,2	A mm	B mm	C mm	D mm	E mm	J mm	K mm	S mm	F1 mm	F2 mm	L1 mm	L2 mm	G
1	SPH340518	2x8	2"	1,2"	8"	2,36"	16" → 24"	1,02"	1,5"	2,56"	1,77"	1,62"	2,25"	2,75"	17,5"
2	SPH340519	2x10			10"		18" → 28"								19,5"
3	SPH340520	2x12			12"		20" → 32"								21,5"
4	SPH340521	2x14			14"		22" → 36"								23,5"
5	SPH340522	2x16			16"		24" → 40"								25,5"
6	SPH340523	2x18			18"		26" → 44"								27,5"
7	SPH340524	2x20			20"		28" → 48"								29,5"
8	SPH340525	2x22			22"		30" → 52"								31,5"

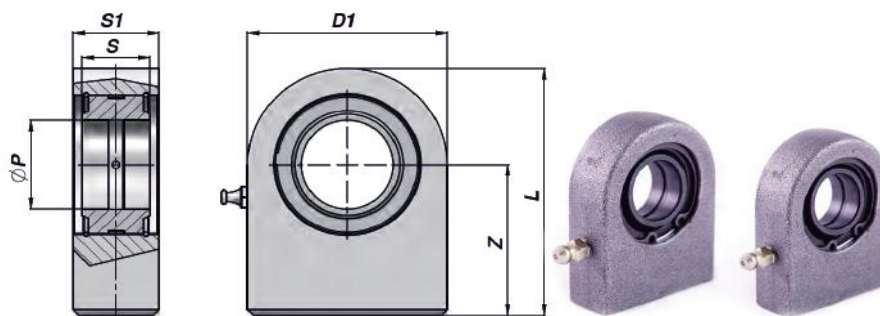


HYDRAULIC CYLINDER INDUSTRIAL BALL JOINT ENDS



Ball Joint Circle

No	SPH No	P mm	Z mm	S mm	D1 mm	S1 mm	L mm	D2 mm	G	FC (kN)
1	SPH341089	20	38	16	53	13	64,5	28	4	30
2	SPH341090	25	45	20	64	17	77	32,5	4	48
3	SPH341091	30	51	22	73	19	87,5	40	4	62
4	SPH341092	35	61	25	82	21	102	47	4	80
5	SPH341093	40	69	28	92	25	115	54	4	100
6	SPH341094	50	88	35	112	32	144	63	4	156

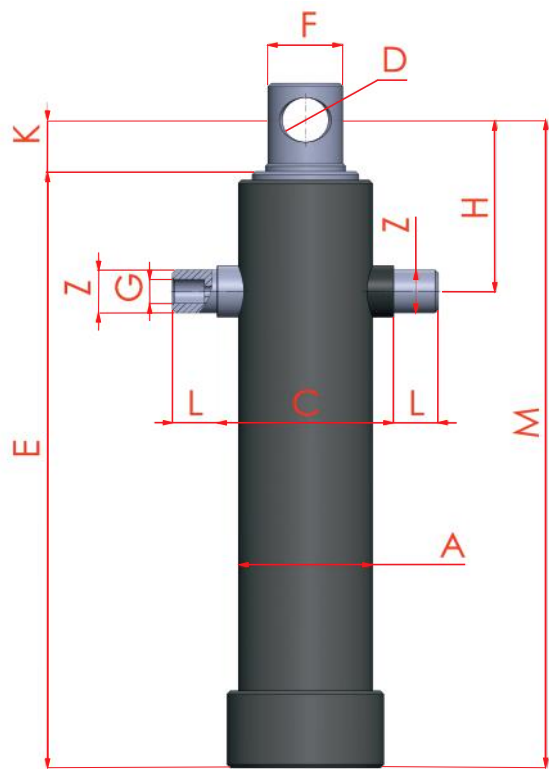


Ball Joint Flat

No	SPH No	P mm	Z mm	S mm	D1 mm	S1 mm	L mm	FC (kN)
1	SPH341100	20	38	16	50	19	63	30
2	SPH341101	25	45	20	55	23	72,5	48
3	SPH341102	30	51	22	65	28	83,5	62
4	SPH341103	35	61	25	83	30	102,5	80
5	SPH341104	40	69	28	100	35	119	100
6	SPH341106	50	88	35	122	42	149,5	156



HYDRAULIC TELESCOPIC CYLINDER



Hydraulic Telescopic Cylinder

No	SPH No	STROKE	H mm	D mm	F mm	M mm	A mm	E mm	K mm	Z mm	L mm	C mm	G
1	SPH340450	500	100	26	42	378	76	348	30	25	25	98	M16X1,5
2	SPH340508	620	107	26	42	439	76	409	30	40	40	100	G1/2"
3	SPH340509	820	107	26	42	539	76	509	30	40	40	100	G1/2"





SPH340351

Hydraulic Trailer Brake Cylinder 40/25-70
(Min. Length: 290 - Max. Length: 360)



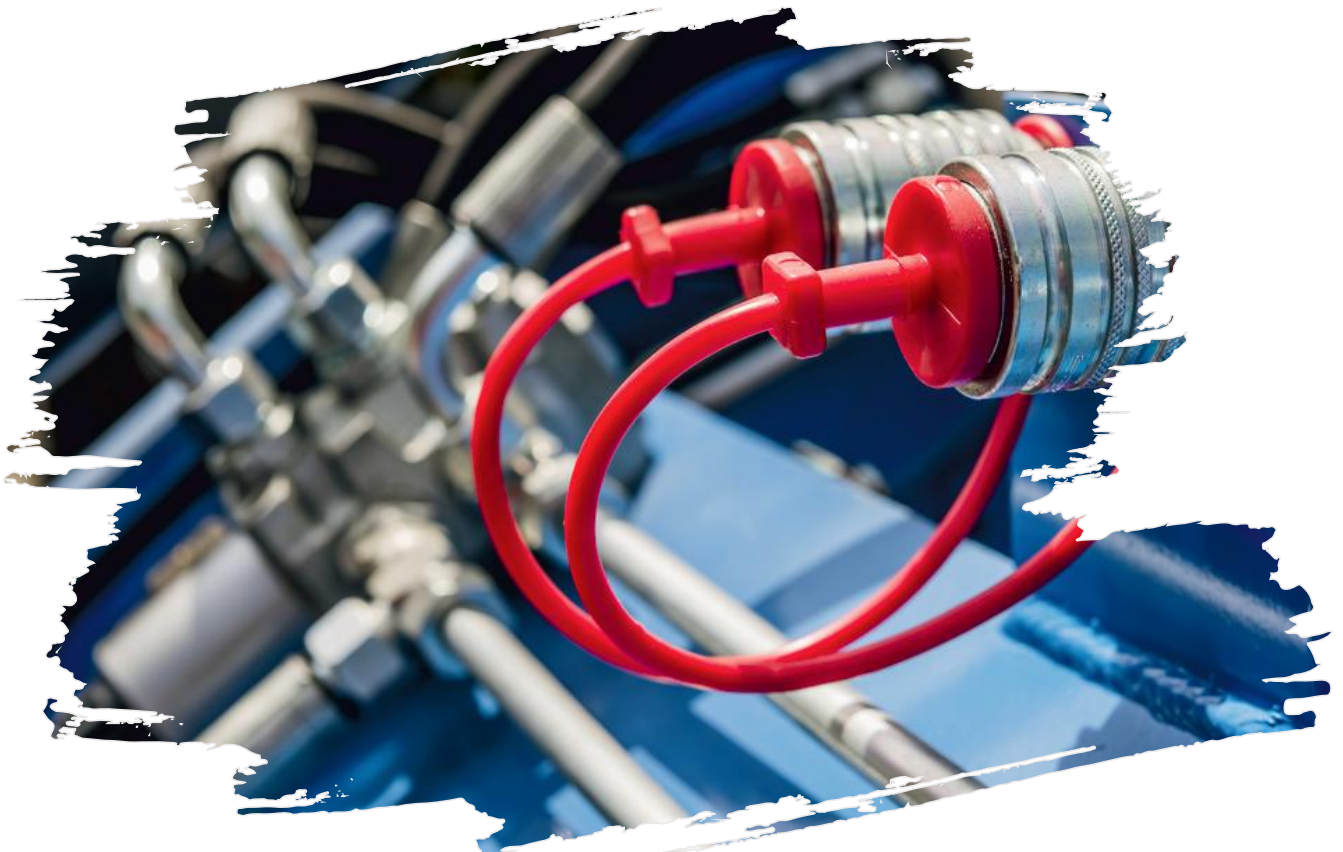
SPH340368

Hydraulic Trailer Brake Cylinder 40/25-70
(Min. Length: 245 - Max. Length: 315)



SPH340448

Hydraulic Trailer Brake Cylinder 40/25-95
(Min. Length: 248 - Max. Length: 343)

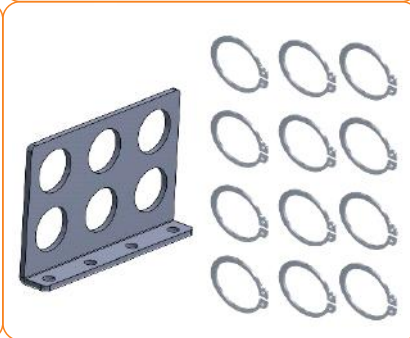




SPH390126
Hydraulic Quick Coupling Kit
1/2 NPT 4 Set



SPH390127
Hydraulic Quick Coupling Kit
1/2 NPT 6 Set



Metal Bracket for Quick Coupler

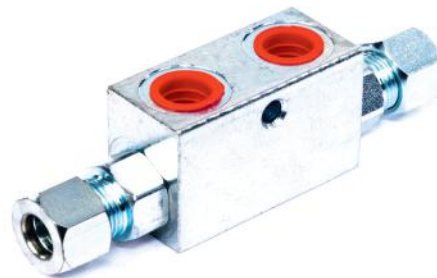
No	SPH No	Thread Size
1	SPH500244	1
2	SPH500245	2
3	SPH500246	4
4	SPH500247	6





SPH500079

Hydraulic Double Pilot Operated Check Valve Kit for Double Acting Cylinder 3/8"



SPH390200

Double Pilot Operated Check Valve For 12mm Pipe 3/8"



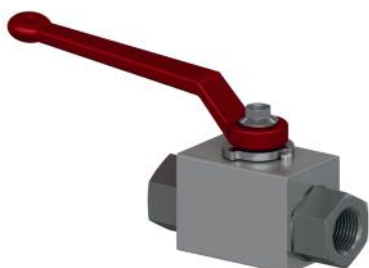
Hydraulic Double Pilot Operated Check Valve

No	SPH No	Thread Size
1	SPH390201	1/4"
2	SPH390203	3/8"
3	SPH390202	1/2"



Hydraulic Rotary Diverter Valve, 3 Port

No	SPH No	Thread Size
1	SPH390040	3/8"
2	SPH390041	1/2"
3	SPH390042	3/4"



Hydraulic 2 Ways Ball Valve

No	SPH No	Thread Size
1	SPH390046	1/4"
2	SPH390047	3/8"
3	SPH390048	1/2"



Hydraulic 6 Ways Diverter Valve Steel Body

No	SPH No	Thread Size
1	SPH390153	3/8"
2	SPH390152	1/2"



SPARE PARTS
HOLLAND





SPH390171

Hydraulic 6 Ways Flow Diverter Valve (Square)



SPH370004

Power Steering Unit, Orbitrol 100 CC 1/2 OSPC-100ON, 150-N1234 -1695445M91



Hydraulic Flow Control Valve

No	SPH No	Thread Size
1	SPH390059	1/4"
2	SPH390060	3/8"
3	SPH390061	1/2"



Hydraulic Unidirection Flow Control Valve

No	SPH No	Thread Size
1	SPH390062	1/4"
2	SPH390063	3/8"
3	SPH390064	1/2"



Hydraulic Flow Divider Valve DFL

No	SPH No	Thread Size
1	SPH390208	DFL 10-20 3/8"
2	SPH390209	DFL20-32 3/8"



Hydraulic 6 Ways Diverter Valve

No	SPH No	Thread Size
1	SPH390168	3/8"
2	SPH390169	1/2"





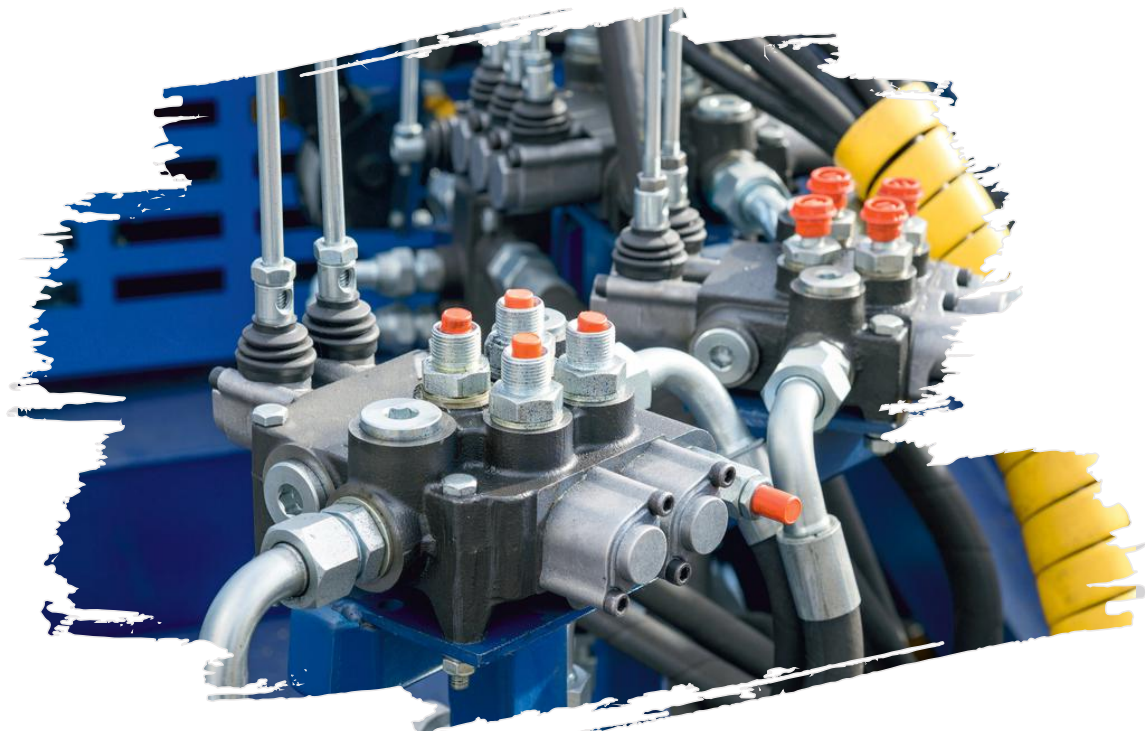
SPH No	Description	Oem No
SPH390009	Hydraulic Rigid Coupling 1/2"	5131918, 5131924, 5138327, 5145014, 5152185



SPH No	Description	Oem No
SPH390012	Hydraulic Rigid Coupling 13-16 ORFS	SJ 11129, SJ 30426, RE255758, RE219420, RE219421, RE73041



SPH No	Description	Oem No
SPH390011	Hydraulic Rigid Coupling M22X1,5	AL116181, AL200979, AL112951, 3794298M1, 3384873M8, 87381944, 3772942M1,





SPH No	Description	Tractor / Models	Oem No
SPH330037	Tractor Remote 6 Port Diverter Valve Manual – 2 into 4 ports	Various Model	Not Available



SPH No	Description	Tractor / Models	Oem No
SPH330017	Hydraulic Selector / Diverter Valve Replaces Massey Ferguson Plate	Massey Ferguson Tractor; 1080, 1085, 130, 135, 140, 145, 150, 152, 158, 165, 168, 175, 178, 180, 185, 188, 20, 20C,	1860100M95, VFD1104, 1696239M92, 1805747M91, 180908M1



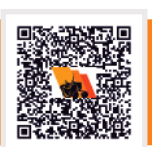
SPH No	Description	Tractor / Models	Oem No
SPH330030	Hydraulic Remote Control Valve Kit 2 Ports Red	Massey Ferguson Tractor; 1080, 1085, 130, 135, 140, 145, 150, 152, 158, 165, 168, 175, 178, 180, 185, 188, 20, 20C,	Not Available



SPH No	Description	Tractor / Models	Oem No
SPH330032	Hydraulic Remote Control Valve Kit 4 Ports Red	Massey Ferguson Tractor; 1080, 1085, 130, 135, 140, 145, 150, 152, 158, 165, 168, 175, 178, 180, 185, 188, 20, 20C,	Not Available



SPH No	Description	Tractor / Models	Oem No
SPH330033	Hydraulic Remote Control Valve Kit 4 Ports + 3 Point Linkage Controller Red	Massey Ferguson Tractor; 1080, 1085, 130, 135, 140, 145, 150, 152, 158, 165, 168, 175, 178, 180, 185, 188, 20, 20C,	Not Available





SPH No	Description	Tractor / Models	Oem No
SPH330038	Hydraulic Remote Control Valve Kit 6 Ports Red	Massey Ferguson Tractor; 1080, 1085, 130, 135, 140, 145, 150, 152, 158, 165, 168, 175, 178, 180, 185, 188, 20, 20C,	Not Available



SPH No	Description	Tractor / Models	Oem No
SPH330000	Hydraulic Remote Control Valve Kit 2 Ports Black	Massey Ferguson Tractor; 1080, 1085, 130, 135, 140, 145, 150, 152, 158, 165, 168, 175, 178, 180, 185, 188, 20, 20C,	Not Available



SPH No	Description	Tractor / Models	Oem No
SPH330001	Hydraulic Remote Control Valve Kit 2 Ports + 3 Point Linkage Controller Black	Massey Ferguson Tractor; 1080, 1085, 130, 135, 140, 145, 150, 152, 158, 165, 168, 175, 178, 180, 185, 188, 20, 20C,	Not Available



SPH No	Description	Tractor / Models	Oem No
SPH330002	Hydraulic Remote Control Valve Kit 4 Ports Black	Massey Ferguson Tractor; 1080, 1085, 130, 135, 140, 145, 150, 152, 158, 165, 168, 175, 178, 180, 185, 188, 20, 20C,	Not Available



SPH No	Description	Tractor / Models	Oem No
SPH330003	Hydraulic Remote Control Valve Kit 4 Ports + 3 Point , Linkage Controller Black	Massey Ferguson Tractor; 1080, 1085, 130, 135, 140, 145, 150, 152, 158, 165, 168, 175, 178, 180, 185, 188, 20, 20C,	Not Available





SPH No	Description	Tractor / Models	Oem No
SPH330036	Hydraulic Remote Control Valve Kit 6 Ports Black	Massey Ferguson Tractor; 1080, 1085, 130, 135, 140, 145, 150, 152, 158, 165, 168, 175, 178, 180, 185, 188, 20, 20C,	Not Available



SPH No	Description	Tractor / Models	Oem No
SPH330004	Hydraulic Remote Control Valve Kit Ford 2 Ports	FORD TRACTORS: 600,700,800,900,601, 701,801,901,2000, 2121, 2130, 2131, 2150, 2300, 2310, 2600, 2610, 2810,	Not Available



SPH No	Description	Tractor / Models	Oem No
SPH330005	Hydraulic Remote Control Valve Kit Ford 2 Ports	FORD TRACTORS: 600,700,800,900,601, 701,801,901,2000, 2121, 2130, 2131, 2150, 2300, 2310, 2600, 2610, 2810,	Not Available



SPH No	Description	Tractor / Models	Oem No
SPH330006	Hydraulic Remote Control Valve Kit Ford 4 Ports	FORD TRACTORS: 600,700,800,900,601, 701,801,901,2000, 2121, 2130, 2131, 2150, 2300, 2310, 2600, 2610, 2810,	Not Available



SPH No	Description	Tractor / Models	Oem No
SPH330034	Hydraulic Remote Control Valve Kit Ford 6 Ports	FORD TRACTORS: 600,700,800,900,601, 701,801,901,2000, 2121, 2130, 2131, 2150, 2300, 2310, 2600, 2610, 2810,	Not Available



SPH No	Description	Tractor / Models	Oem No
SPH330007	Hydraulic Remote Control Valve Kit Ford 2 Ports	Ford Tractor; 5000, 6000, 6600, 7000, 7600 Fordson Major	Not Available



SPH No	Description	Tractor / Models	Oem No
SPH330008	Hydraulic Remote Control Valve Kit Ford 2 Ports	Ford Tractor; 5000, 6000, 6600, 7000, 7600 Fordson Major	Not Available



SPH No	Description	Tractor / Models	Oem No
SPH330009	Hydraulic Remote Control Valve Kit Ford 4 Ports	Ford Tractor; 5000, 6000, 6600, 7000, 7600 Fordson Major	Not Available



SPH No	Description	Tractor / Models	Oem No
SPH330035	Hydraulic Remote Control Valve Kit Ford 6 Ports	Ford Tractor; 5000, 6000, 6600, 7000, 7600 Fordson Major	Not Available



SPH No	Description	Tractor / Models	Oem No
SPH330011	Hydraulic Remote Control Valve Kit Ford 4 Ports	FORD TRACTORS: 5110,5610,6410, 6610, 6710, 6810, 7610, 7710, 7810, 7910,8210	Not Available





SPH No	Description	Tractor / Models	Oem No
SPH330020	Hydraulic Remote Control Valve Fiat	Fiat Tractor; 411 415 450 480 500 550 580 600 640 650 670 680 750 780	588771 4998886, 31-2906077, Tx11266, 5086678, 672625AS, 72091846



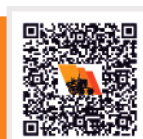
SPH No	Description	Tractor / Models	Oem No
SPH330014	Hydraulic Remote Control Valve Kit Fiat 2 Ports	Fiat Tractor; 450, 480, 500, 540, 600, 640	Not Available



SPH No	Description	Tractor / Models	Oem No
SPH330015	Hydraulic Remote Control Valve Kit Fiat 4 Ports	Fiat Tractor; 450, 480, 500, 540, 600, 640	Not Available



SPH No	Description	Tractor / Models	Oem No
SPH330013	Hydraulic Remote Control Valve Kit Steyr 4 Ports	Steyr Tractors; 768,8050,8073	Not Available





SPH No	Description	Tractor / Models	Oem No
SPH380000	Power Steering Cylinder MF	Massey Ferguson; 165UK, 175UK, 178, 265S, 275UK, 282, 285, 290UK	1853466M93,1884374M93, 3186323M91,3773740M91, 1830316M91, 1853195M92, 1853466M91, 1884374M91, 1885579M91 ,3186320M91, 3186320M915.



SPH No	Description	Tractor / Models	Oem No
SPH380001	Power Steering Cylinder MF	Massey Ferguson; 1433, 1440, 1455, 1520, 1526, 1528, 1529, 1531, 1532, 1533, 1540, 1547, 1552, 1560, 1635, 1643,	1605121M91, 1605121M92 532193M91, 3773711M91



SPH No	Description	Tractor / Models	Oem No
SPH380002	Power Steering Cylinder MF	Massey Ferguson; 300 series 340, 342, 350, 352, 354, 355, 360, 362, 365, 372, 375, 382, 390, 396, 398, 399	3463762M91, 6202491M91 3763762M91, 3773713M91.



SPH No	Description	Tractor / Models	Oem No
SPH380003	Power Steering Cylinder MF	Massey Ferguson ; 240, 250, 253, 360, 362, 5830, 20F, 30E, 30H	3401553M92, 3774728V91, 3774728M91, 3773716M91



SPH No	Description	Tractor / Models	Oem No
SPH380004	Power Steering Cylinder MF	Massey Ferguson; 256, 265, 266, 275, 277, 285, 288, 290, 365, 375, 390, 396, 398, 399, 3075, 3085, 4225, 4235, 4240,	3429989M91, 7302464901, 7302464903, 3764700M1, 00112130U1





SPH No	Description	Tractor / Models	Oem No
SPH380096	Power Steering Cylinder MF	Massey Ferguson; 20, 30E , 135, 148, 202, 203, 204, 205, 230, 235, 240, 240S, 245, 250, 255, 260	401240M91, 0011403U91, 192749M92, 168009M92, 183179M91, 183182M92, 185380M923401241M91, 0011404U91, 168009M92, 183179M91, 185380M92,



SPH No	Description	Tractor / Models	Oem No
SPH380013	Power Steering Cylinder Ford	Ford tractor models: 5110, 5610, 5610S 6610, 6610S, 6810, 6810S, 7610, 7610S, 7810, 7810S.	E3NN3A540BA, 83948953, 82980558.



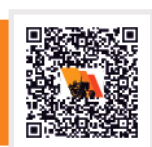
SPH No	Description	Tractor / Models	Oem No
SPH380015	Power Steering Cylinder Ford	Ford Tractor Models: 231, 335, 600, 800, 601, 801, 2000-4000 (4 cylinder), 2000, 3000, 4000SU, 2600, 3600, 4600SU, 2310, 2610,	E2NN3A540BA, E2NN3A540A, E2NN3A547AA, E5NN3N555BA, E5NN3N556BA, 81825142,



SPH No	Description	Tractor / Models	Oem No
SPH380016	Power Steering Cylinder Ford	Ford Tractor Models: 600, 800, 601, 801, 2000, 4000, 2000, 3000, 4000SU, 2600, 3600, 4600SU, 2310, 2610, 2810, 2910, 3610, 3910, 4610, 231, 335, 531	D4NN3A540A, E9NN3A540AA, D4NN3A540AL, D4NN3D744A, E9NN3D547AA



SPH No	Description	Tractor / Models	Oem No
SPH380031	Power Steering Cylinder Jd	John Deere tractor models: 2140, 2350, 2355, 2550, 2555, 2750, 2755, 2950, 3140 (BSN 449999),	A1112919, AL34542, AI36565, AL61553, Rel7356





SPH No	Description	Tractor / Models	Oem No
SPH380032	Power Steering Cylinder Jd	John Deere tractor models: 425A 445C 455A 455B 455C	AM 18796 AM 147174



SPH No	Description	Tractor / Models	Oem No
SPH380033	Power Steering Cylinder Jd	John Deere tractor models: 425B, 445D, 455D, 455E	AM 118795, AM 147173



SPH No	Description	Tractor / Models	Oem No
SPH380034	Power Steering Cylinder Jd	John Deere tractor models: 318, 322, 332	AM 108777, AM 39310, AM 105769



SPH No	Description	Tractor / Models	Oem No
SPH380061	Power Steering Cylinder Jd	John Deere tractor models: 5045E, 5055E, 5065E, 5065M, 5075E, 5075M, 5076E, 5082E, 5083E,	RE 271434



SPH No	Description	Tractor / Models	Oem No
SPH380030	Power Steering Cylinder Case IH	Case IH - 480B, 480C, 480D, 480E, 480SE, 480F, 480LL, 580B, 580C, 580D, 580E, 580SE	A137503, D84800, D128454, 234466A1, 234447A1, A37509





SPH No	Description	Tractor / Models	Oem No
SPH380017	Power Steering Cylinder Cs	Case IH 385, 454, 464, 474, 484, 485, 574, 584, 585, 674, 684, 685, 784, 884, 885, 2400, 2500, 395, 485, 495, 595, 685, 695, 885,	188842A1, 549667R91, 549667R92, 549667R93, 549667,



SPH No	Description	Tractor / Models	Oem No
SPH380038	Power Steering Cylinder New Holland / Fiat	New Holland / Fiat 580, 680, 780, 880, 980, 55.90, 60.90, 65.90	5110840, 4997919, 4998944, 4998945, 5125262



SPH No	Description	Tractor / Models	Oem No
SPH380039	Power Steering Cylinder New Holland / Fiat	New Holland / Fiat 55-46DT, 60-46DT, 65-46DT, 60-56DT, 65-56DT, 70-56DT, 45-66DT, 50-66DT,	5189895



SPH No	Description	Tractor / Models	Oem No
SPH380040	Power Steering Cylinder New Holland / Fiat	New Holland/Fiat; 55-46DT, 60-46DT, 65-46DT, 60-56DT, 65-56DT, 70-56DT, 45-66DT, 50-66DT,	5142046, 5142052, 5142054, 5143971, 5156717



SPH No	Description	Tractor / Models	Oem No
SPH380041	Power Steering Cylinder New Holland / Fiat	New Holland/Fiat; 100-90, 110-90, 45-66, 50-66, 55-46, 55-56, 55-66, 566, 60-56, 60-66, 60-90, 65-46,	5126941, 5131098, 5137121, 5140208





SPH No	Description	Tractor / Models	Oem No
SPH380043	Power Steering Cylinder New Holland / Fiat	New Holland/Fiat; 70-66DT, 70-88DT, F120DT, 80-66, 70-66SDT, 80-66DT, F130DT	5134221, 5144124, 5144126, 5143970, 5156718



SPH No	Description	Tractor / Models	Oem No
SPH380046	Power Steering Cylinder New Holland / Fiat	New Holland/Fiat; T6010, T6020, T6030, T6040, T6050, T6060, T6070	87521950, 47582858



SPH No	Description	Tractor / Models	Oem No
SPH380049	Power Steering Cylinder New Holland / Fiat	Ford / New Holland; 35 Series, 40 Series, 60 Series TL Series, TM Series, TS Series TSA Series, TLA Series,	5189887, 5165140, 5190908



SPH No	Description	Tractor / Models	Oem No
SPH380051	Power Steering Cylinder New Holland / Fiat	New Holland/Fiat; T5030, 5040, 5060, TD80, TD90, TD95, TL70, TL80, TI90, TII00, L75, L85, L95...	5164023





SPH No	Description	Tractor / Models	Oem No
SPH360031	Power Steering Kit Ford 3000	Ford 2000, 3000, 3600, 3610 and 4100	Not Available



SPH No	Description	Tractor / Models	Oem No
SPH360034	Power Steering Kit Ford 4000	Ford 4000 and 4600.	Not Available



SPH No	Description	Tractor / Models	Oem No
SPH360036	Power Steering Kit Ford 5000	Ford 5000, 5600 and 6600.	Not Available



SPH No	Description	Tractor / Models	Oem No
SPH360029	Power Steering Kit Fordson Major	Fordson Major	Not Available



SPH No	Description	Tractor / Models	Oem No
SPH360041	Power Steering Kit Fiat 480	Fiat 450, 480, 500, 540 Classic Models, also fits White Oliver 1255, 1265, 1270 and 2-50	Not Available





SPH No	Description	Tractor / Models	Oem No
SPH360044	Power Steering Kit Fiat 640	Fiat 600, 640	Not Available



SPH No	Description	Tractor / Models	Oem No
SPH360049	Power Steering Kit John Deere 1020	John Deere 1020, 1120, 1130, 1520	Not Available



SPH No	Description	Tractor / Models	Oem No
SPH360054	Power Steering Kit John Deere 2020	John Deere 2030, 2040, 2130	Not Available



SPH No	Description	Tractor / Models	Oem No
SPH360061	Power Steering Kit Case IH 423	Case IH 353, 423, 433, 453, 523	Not Available



SPH No	Description	Tractor / Models	Oem No
SPH360064	Power Steering Kit Case IH 624	Case IH 624, 644, 654, 654S	Not Available





SPH No	Description	Tractor / Models	Oem No
SPH360070	Power Steering Kit Deutz 4006	Deutz 4006 4506 5006 5206 4007 4507 4807 5206	Not Available



SPH No	Description	Tractor / Models	Oem No
SPH360072	Power Steering Kit Deutz 6206	Deutz 5506 6006 6206 6208 6806 7006 6207 6507 8206	Not Available



SPH No	Description	Tractor / Models	Oem No
SPH360101	Power Steering Kit Deutz 6206 Tandem Pump	Deutz 5506 6006 6206 6208 6806 7006 6207 6507	Not Available



SPH No	Description	Tractor / Models	Oem No
SPH360000	Power Steering Kit Massey Ferguson MF 135 Flat Axle Org.Type	Massey Ferguson MF 135 Flat Axle Org.Type	Not Available



SPH No	Description	Tractor / Models	Oem No
SPH360002	Power Steering Kit Massey Fergusson MF 135 Curved Axle	Massey Fergusson MF 135 Curved Axle	Not Available





SPH No	Description	Tractor / Models	Oem No
SPH360023	Power Steering Kit Massey Ferguson MF 158 Thin Axle (32mm)	Massey Ferguson 155-158 (Axle 32mm)	Not Available



SPH No	Description	Tractor / Models	Oem No
SPH360020	Power Steering Kit Massey Ferguson 285	Massey Ferguson 165, 168, 175, 178, 185, 188, 265, 275, 285 (alle nur mit 212, 236 , 248 Perkins- Dieselmotoren)	Not Available



SPH No	Description	Tractor / Models	Oem No
SPH360066	Power Steering Kit Fendt 103	Fendt Farmer 103, 104	Not Available



SPH No	Description	Tractor / Models	Oem No
SPH360068	Power Steering Kit Fendt 105	Fendt Farmer 105, 106	Not Available



SPH No	Description	Tractor / Models	Oem No
SPH360092	Power Steering Kit Steyr 768	Steyr 768, 8073	Not Available





SPH No	Description	Tractor / Models	Oem No
SPH360088	Power Steering Kit Same 50	Same 50	Not Available



SPH No	Description	Tractor / Models	Oem No
SPH360089	Power Steering Kit Same 60	Same 60	Not Available





SPH430901

Cat 2S Lower Link Hook End (2 Pcs)



SPH430526

Cat 2 Lower Link Hook End (2 PCS)



SPH430525

CAT 1 Lower Link End Kit



SPH430530

CAT 2 Lower Link End Kit



SPH430897

Quick Attach Hook Kit CAT 2



SPH430898

Quick Attach Hook Kit CAT 3





SPH500210

Ball holder for 3 x lower link ball lower link catch profile Cat 2 and 3



SPH430626

Lower Link Ball Ø44 x Ø22,1 x 35



SPH430644

Lower Link Ball Ø56 x Ø28,6 x 45



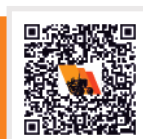
SPH500324

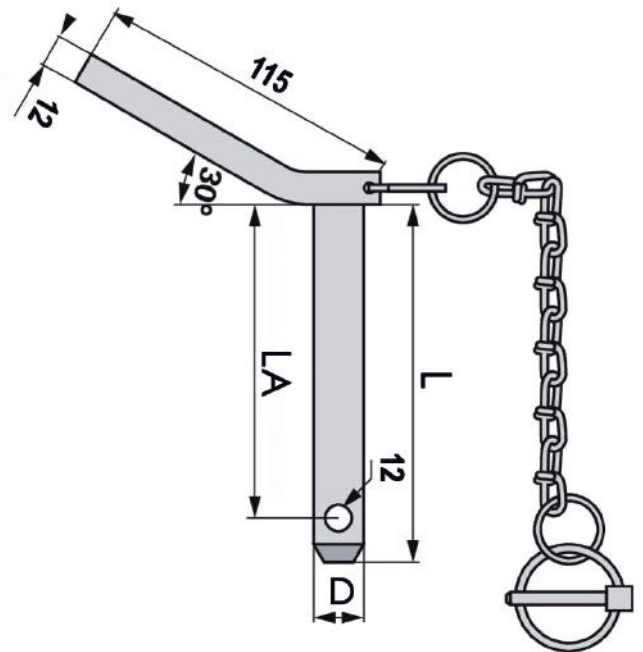
Tractor Bucket Hooks



SPH500335

Drawbar Limit Anti-Rotation





Toplink Pin With Chain

No	SPH No	D	L	LA
1	SPH430902	19	151	135
2	SPH430903	19	191	175
3	SPH430904	22	151	135
4	SPH430905	22	191	175
5	SPH430906	25	141	125
6	SPH430907	25	151	135
7	SPH430908	25	191	175
8	SPH430909	32	151	135
9	SPH430910	32	191	175





SPH430717

Levelling Box for Deutz 2000 Series

OEM numbers:

02384369, 03471320, 04315453, 71804878



SPH430716

Levelling Box for Deutz 2506-6006

OEM Numbers:

04315452, 02384370, 02314819, 71804879



SPH430400

Levelling Box for Deutz 5506-7207

OEM Numbers:

04314513, 4314513



SPH430725

Levelling Box Assembly for Case IH

OEM numbers:

3069056R93, 3069056R91 S14875, S.14875



SPH430726

Levelling Box Assembly for Case IH

OEM numbers:

S74506



SPH430912

Levelling Box Yoke Assembly for Case IH

OEM numbers:

S.74536



SPARE PARTS
HOLLAND

45





SPH500124

**PTO Shaft Male Single Side Spline
1 3/8" - 6**



SPH500125

**PTO Shaft Male Double Side Spline
1 3/8" - 6**



SPH500126

Pto Shaft Short Female 80 mm



SPH500127

**Profile Bushing PTO Shaft - Bushing Sleeve
Profile 160mm 1 3/8 "(6)**



SPH440128

PTO Stub PTO Shaft 1 3/8" - 6 Teeth



SPH500018

**Tractor Pto Air Compressor
Twin Cylinder With Hose**



**SPARE PARTS
HOLLAND**

46





SPH500031

**Jack 60x50x500
2 Tonne With Support**



SPH500033

**Jack 80x70x500
4 Tonne With Gearbox**



SPH490000

**Brake Slave Cylinder RH & LH MF
3186484M91 - 1676387M92**

Tractor Seat



SPH350011

**SPH-116 Black
Tractor Seat With Backrest Sliding Base**



SPH350012

**SPH-117 Black
Tractor Seat With Armrest Sliding Base**



**SPARE PARTS
HOLLAND**

47





SPH350063

**SPH-116B Blue
Tractor Seat With Backrest Sliding Base**



SPH350066

**SPH-117B Blue
Tractor Seat With Armrest Sliding Base**



SPH350064

**SPH-116Y Yellow
Tractor Seat With Backrest Sliding Base**



SPH350067

**SPH-117Y Yellow
Tractor Seat With Armrest Sliding Base**



SPH350065

**SPH-116R Red
Tractor Seat With Backrest Sliding Base**



SPH350068

**SPH-117R Red
Tractor Seat With Armrest Sliding Base**



GLOBAL SUPPLIER OF TRACTOR SPARE PARTS & HYDRAULIC EQUIPMENTS



SPARE PARTS
H O L L A N D

QUALITY REPLACEMENT PARTS

GLOBAL SUPPLIER OF TRACTOR SPARE PARTS & HYDRAULIC EQUIPMENTS



+31(0) 85 016 1494



sparepartsholland.com



info@sparepartsholland.com



Fluitersweg 170 Apeldoorn 7317 BS The Netherlands