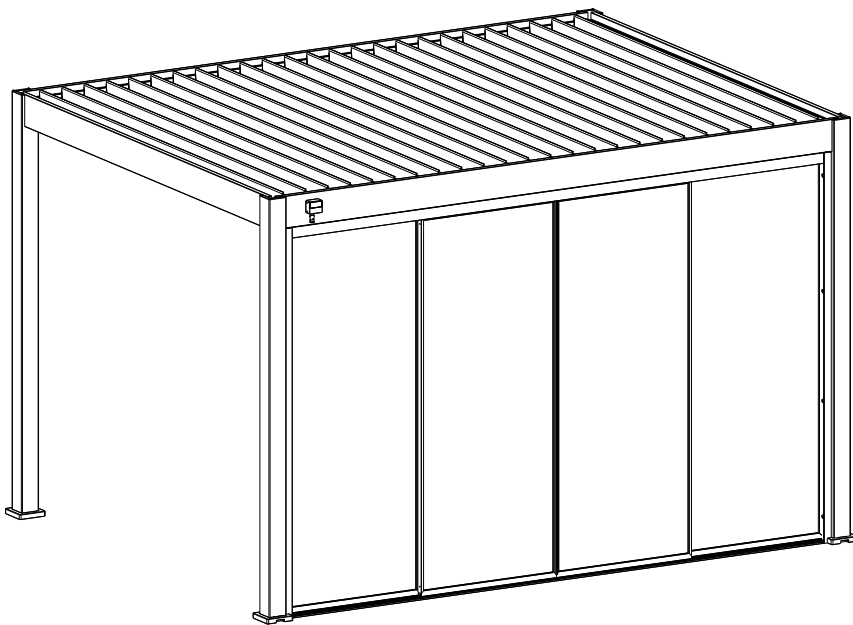


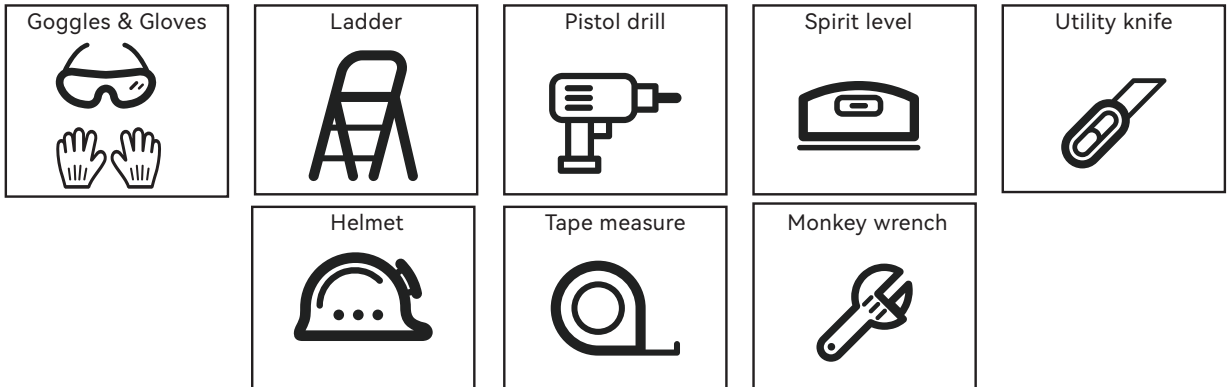
Installation Guide

Glass Side Panel



Please read the following instructions completely before you begin assembly. Any errors made during installation are not covered by the product's warranty. If you have any questions during the installation process, please call us .

NECESSARY TOOLS AND SAFETY GEAR(NOT SUPPLIED)



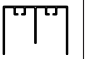







When installing your wind screen on the wall-mounted side, you will need to purchase the corresponding screws/fasteners.


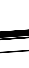

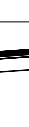

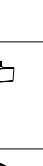


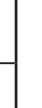


PARTS LISTS (PER CARTON)

2.65M

1/2

REF	PICTURE		QTY
A		 65X86-2421	1
B		 95X50-2421	1
C		 95X50-2365	1
D		 9X86-2421	1

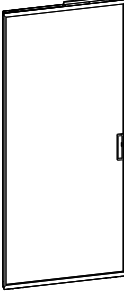
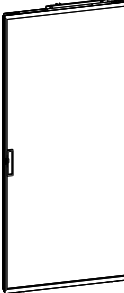
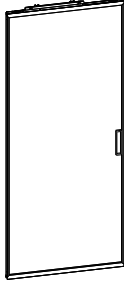
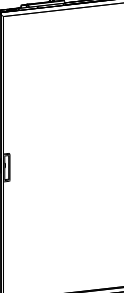
REF	PICTURE	QTY
W1	 3.9×25	6
T2		8
T3	 8×100	6
T5	 PH2	1
T7	 5mm	1
T8	 2.5mm	1

REF	PICTURE	QTY
W8	  5×19 8mm	8
W9	 8mm	1

PARTS LISTS (PER CARTON)

2.65M

2/2

REF	PICTURE		QTY
E1		 611X2309	1
E2		 611X2309	1
E3		 611X2309	1
E4		 611X2309	1



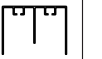







Note:






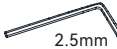
The positional relationship between the door handle and the upper track distinguishes E1, E2, E3, and E4.



PARTS LISTS (PER CARTON)

3M

1/2

REF	PICTURE		QTY
A		 65X86-2726	1
B		 95X50-2365	1
C		 95X50-2365	1
D		 9X86-2726	1

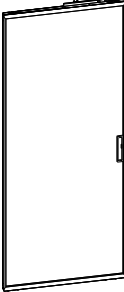
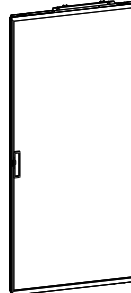

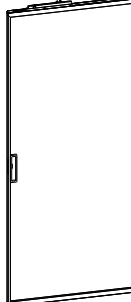
REF	PICTURE	QTY
W1	 3.9x25	6
T2		8
T3	 8x100	6
T5	 PH2	1
T7	 5mm	1
T8	 2.5mm	1

REF	PICTURE	QTY
W8	 5x19 8mm	8
W9	 8mm	1

PARTS LISTS (PER CARTON)

3M

2/2

REF	PICTURE		QTY
E1		 <small>687X2309</small>	1
E2		 <small>687X2309</small>	1
E3		 <small>687X2309</small>	1
E4		 <small>687X2309</small>	1



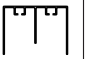

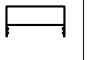

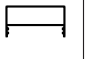



Note:






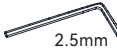
The positional relationship between the door handle and the upper track distinguishes E1, E2, E3, and E4.



PARTS LISTS (PER CARTON)

4M

1/2

REF	PICTURE		QTY
A		 65X86-3641	1
B		 95X50-2365	1
C		 95X50-2365	1
D		 9X86-3641	1

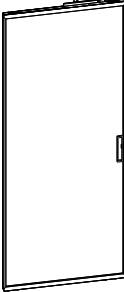
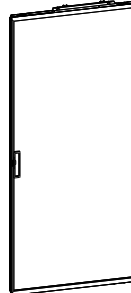

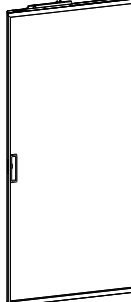
REF	PICTURE	QTY
W1	 3.9×25	6
T2		8
T3	 8×100	6
T5	 PH2	1
T7	 5mm	1
T8	 2.5mm	1

REF	PICTURE	QTY
W8	 5×19 8mm	8
W9	 8mm	1

PARTS LISTS (PER CARTON)

4M

2/2

REF	PICTURE		QTY
E1		 <small>915X2309</small>	1
E2		 <small>915X2309</small>	1
E3		 <small>915X2309</small>	1
E4		 <small>915X2309</small>	1



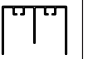







Note:





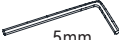

The positional relationship between the door handle and the upper track distinguishes E1, E2, E3, and E4.



PARTS LISTS (PER CARTON)

3.6M

1/2

REF	PICTURE		QTY
A		 65X86-3335	1
B		 95X50-2365	1
C		 95X50-2365	1
D		 9X86-3335	1

REF	PICTURE	QTY
W1	 3.9×25	6
T2		8
T3	 8×100	6
T5	 PH2	1
T7	 5mm	1
T8	 2.5mm	1

REF	PICTURE	QTY
W8	 5×19 8mm	8
W9	 8mm	1

PARTS LISTS (PER CARTON)

3.6M

2/2

REF	PICTURE	QTY
E1	 <p>839X2309</p>	1
E2	 <p>839X2309</p>	1
E3	 <p>839X2309</p>	1
E4	 <p>839X2309</p>	1

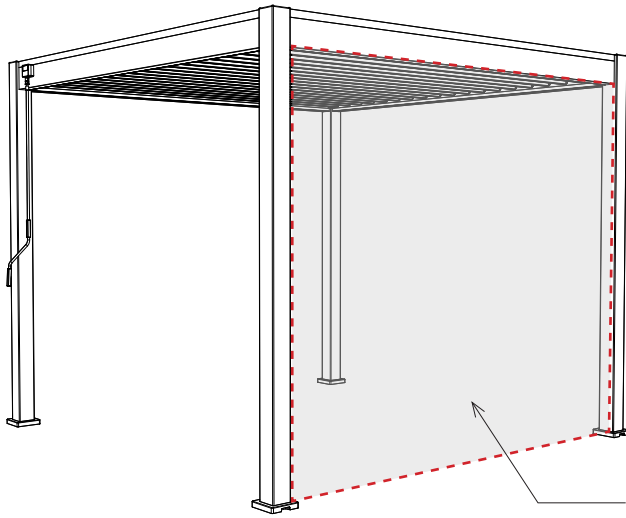


Note:

The positional relationship between the door handle and the upper track distinguishes E1, E2, E3, and E4.

Before installation, please make sure the dimension should be correct as the diagram shows below, namely, $A1=A2=A3$ and $AX=BX$.

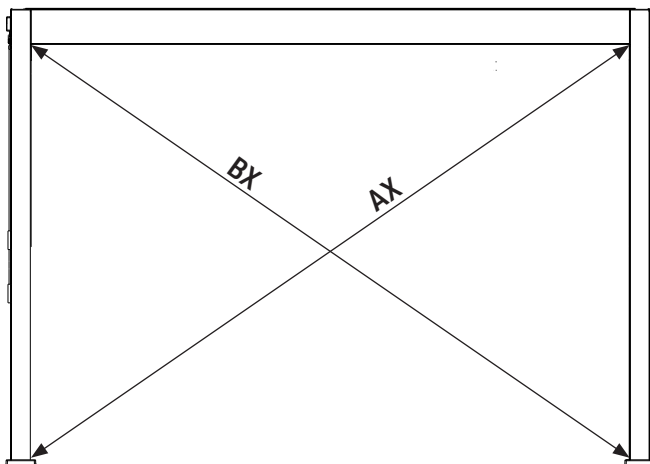
Please do not install if the dimension is incorrect. Please adjust the finished size before installing.



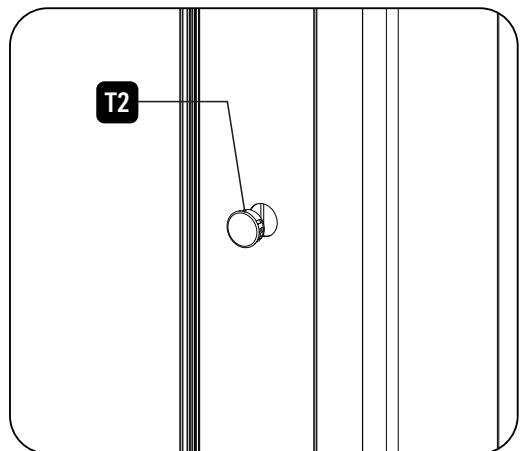
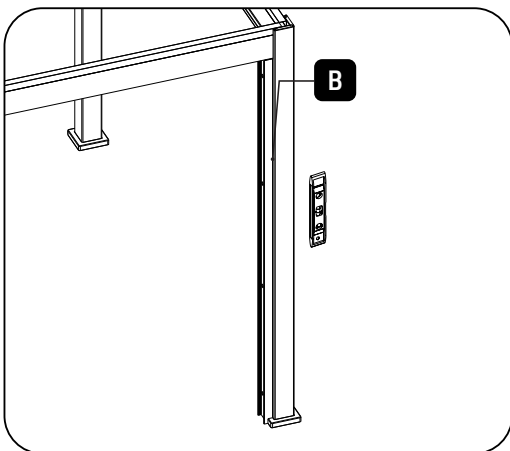
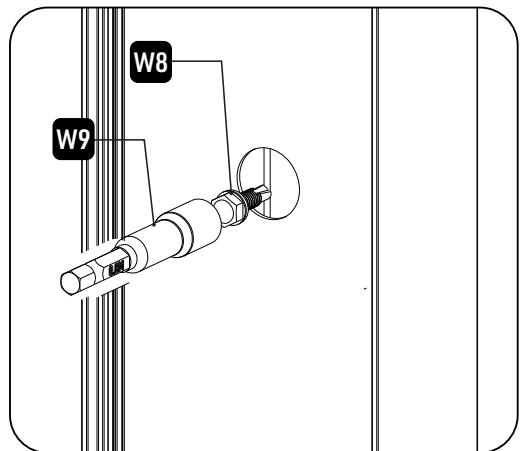
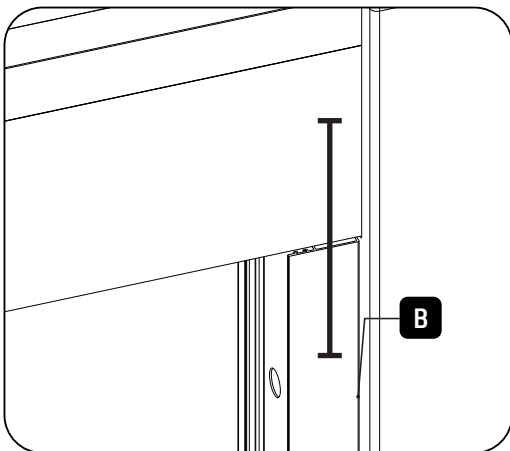
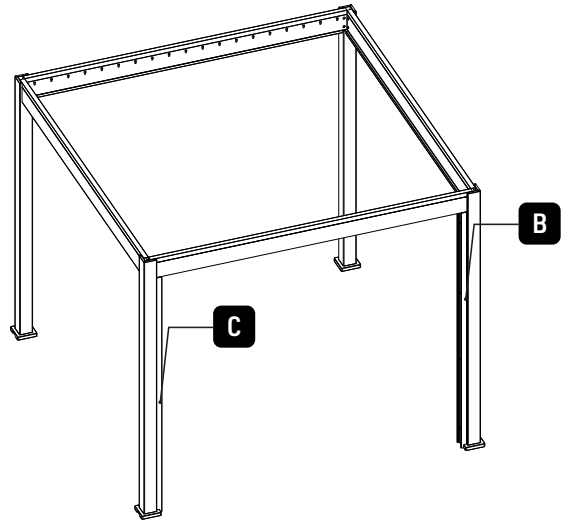
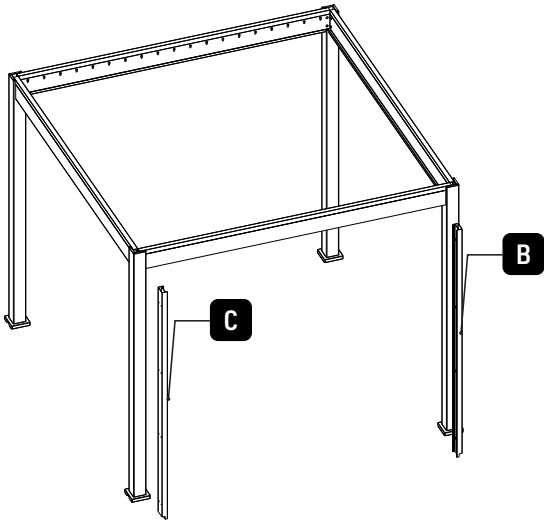
Please choose which face to install



$$A1=A2=A3$$



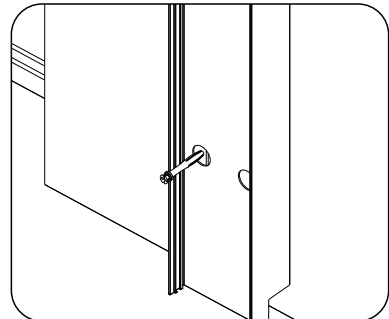
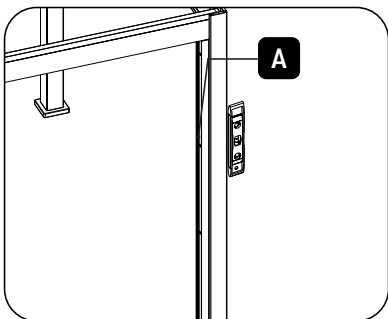
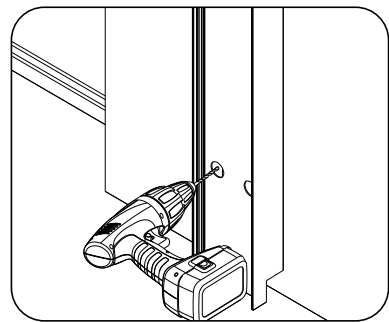
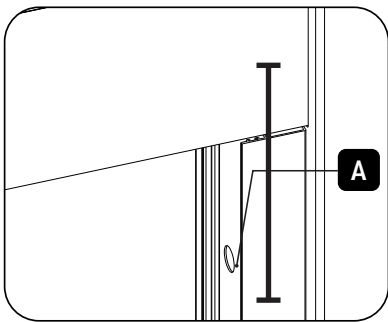
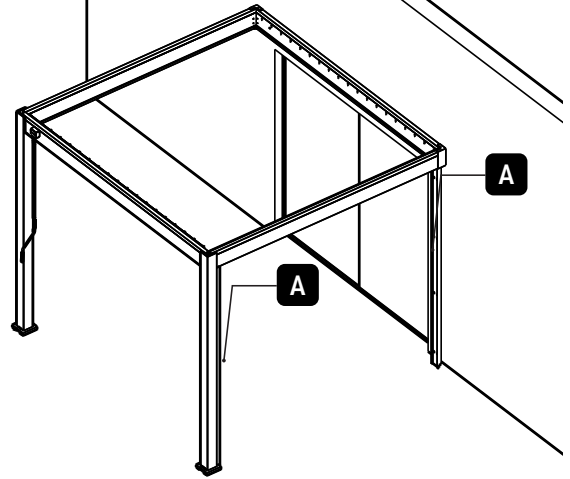
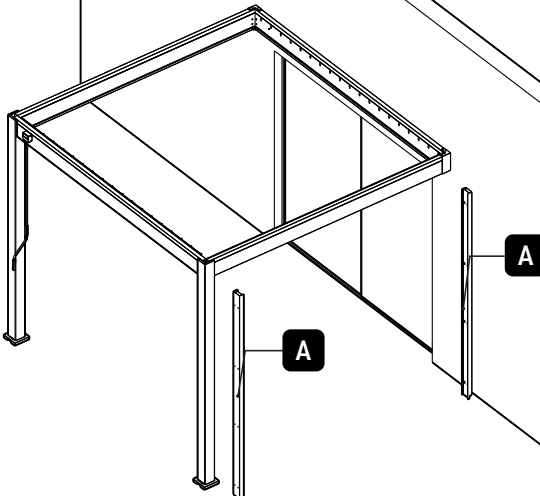
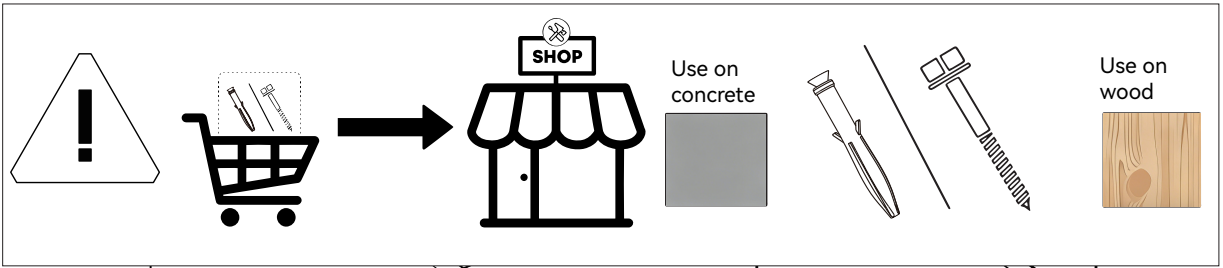
$$AX=BX$$



Align the border and beam outer edges.

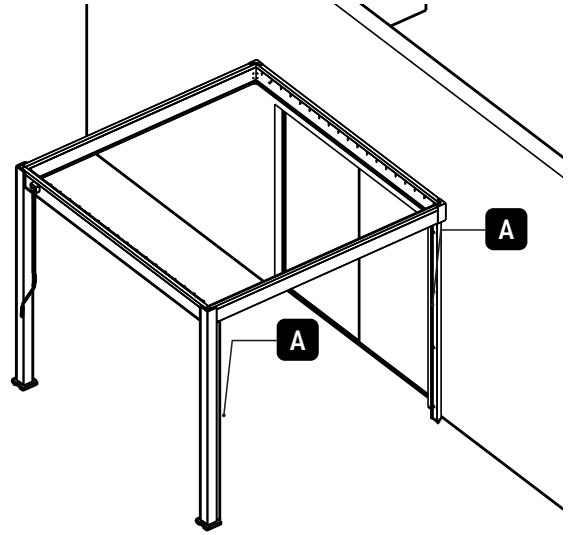
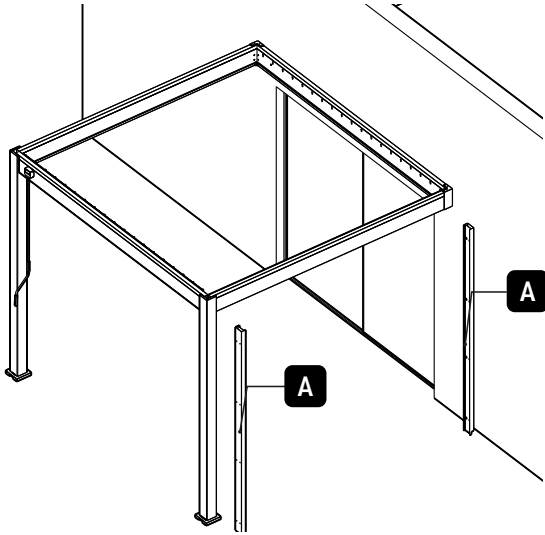
Install screws to fasten the components, then attach the upper cover cap.

When installing your wind screen on the wall-mounted side, you will need to purchase the corresponding screws/fasteners.

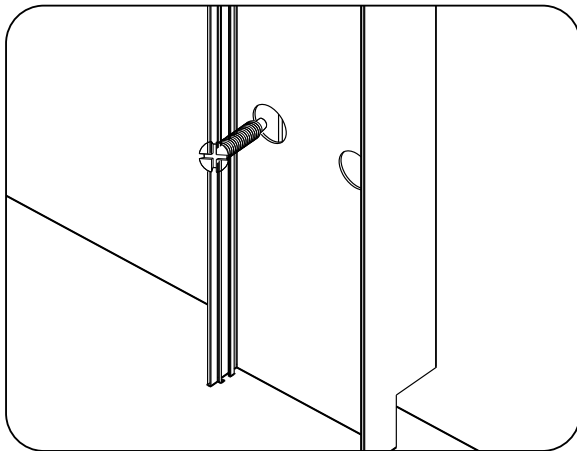


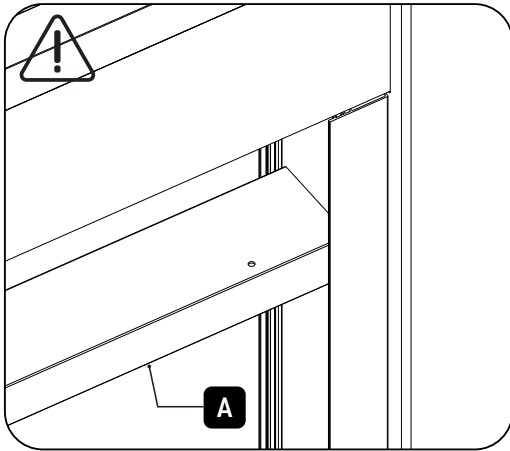
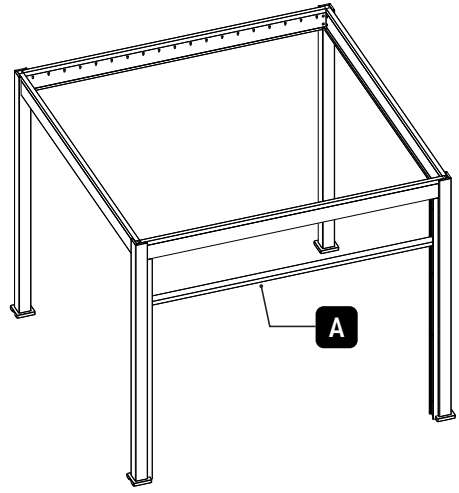
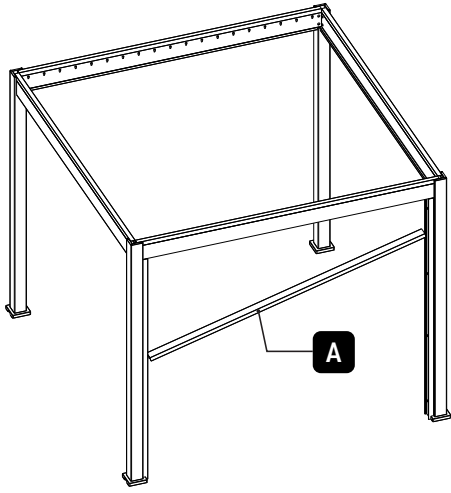
When installing the frame on the wall-mounted side of a single-sided pergola, it is necessary to first drill corresponding holes in the wall according to the positions of the holes in the frame border.

Install expansion screws into the pre-drilled holes to secure the glass sliding door frame.

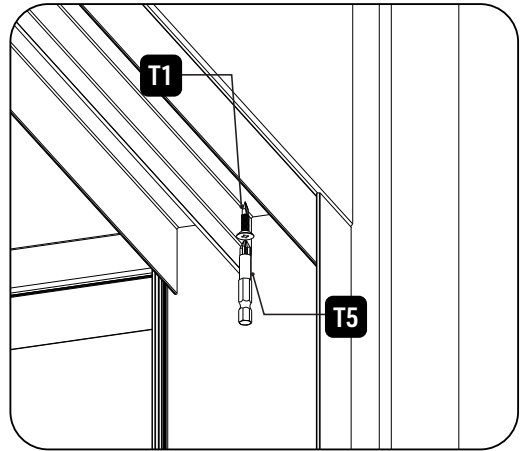


1. When the wall-mounted side is made of wooden material, directly secure the frame to the wall using fastening screws.

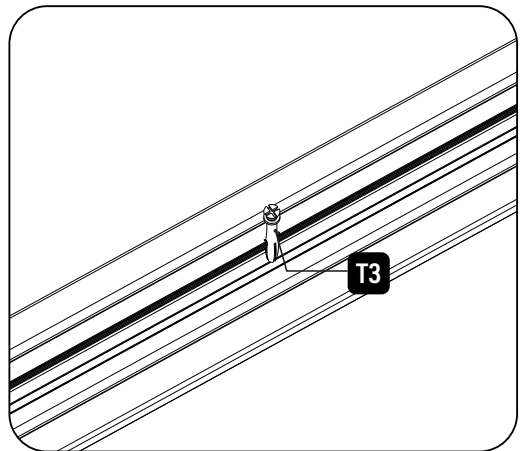
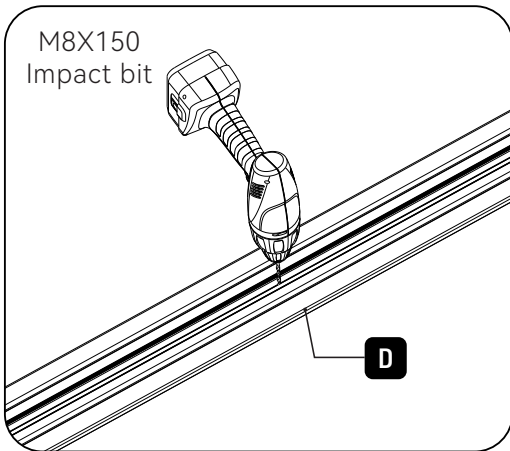
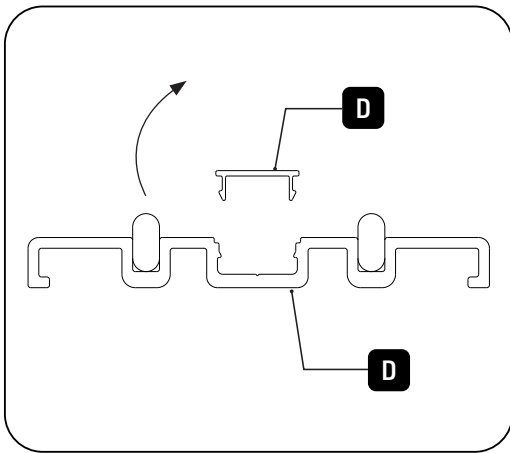
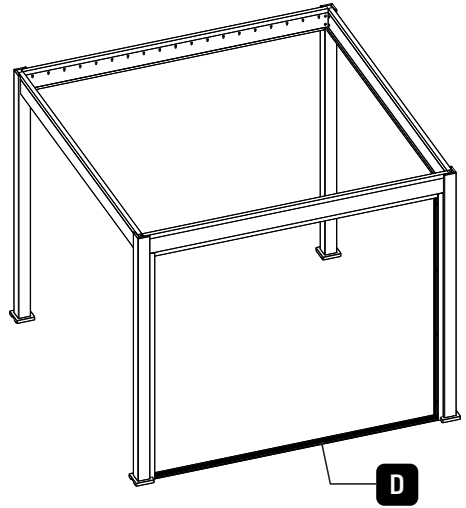
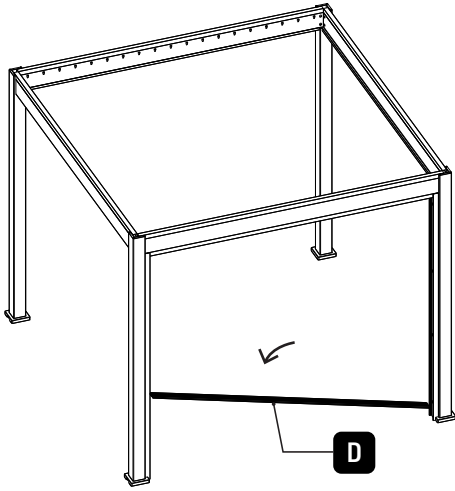




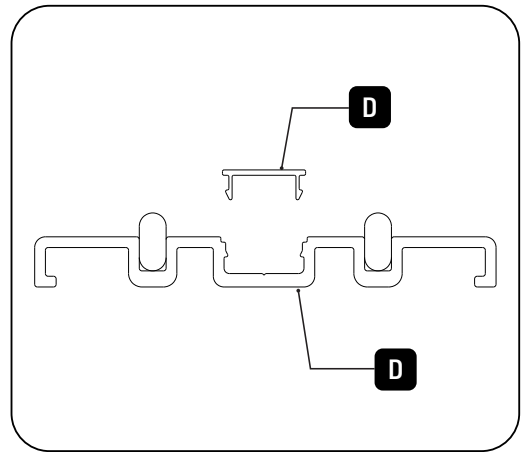
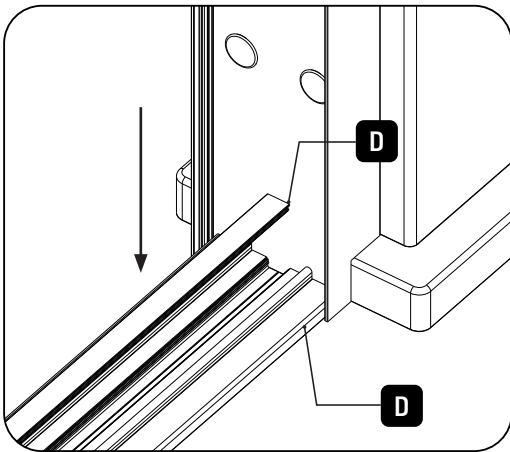
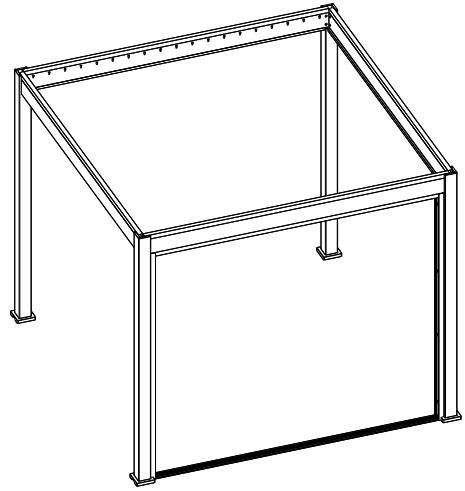
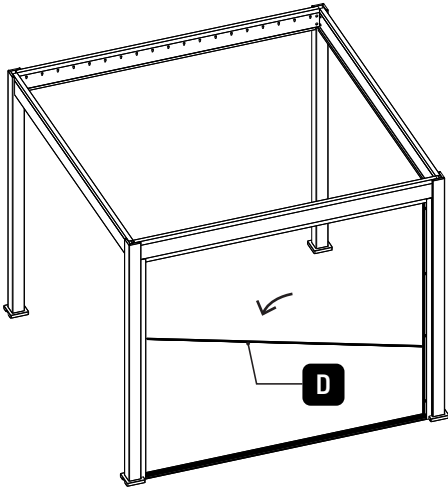
Ensure correct orientation during installation to prevent improper assembly.



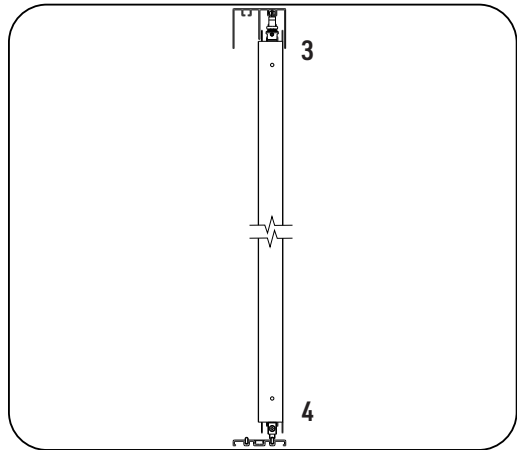
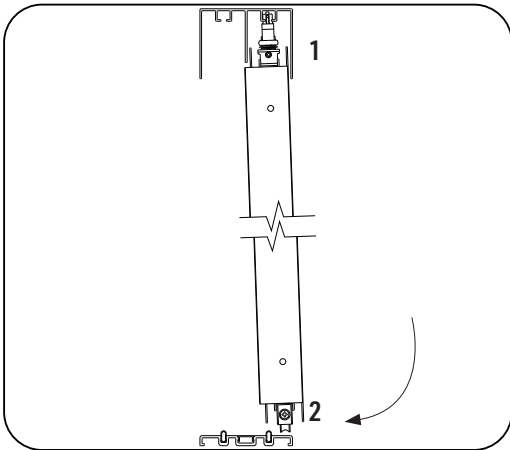
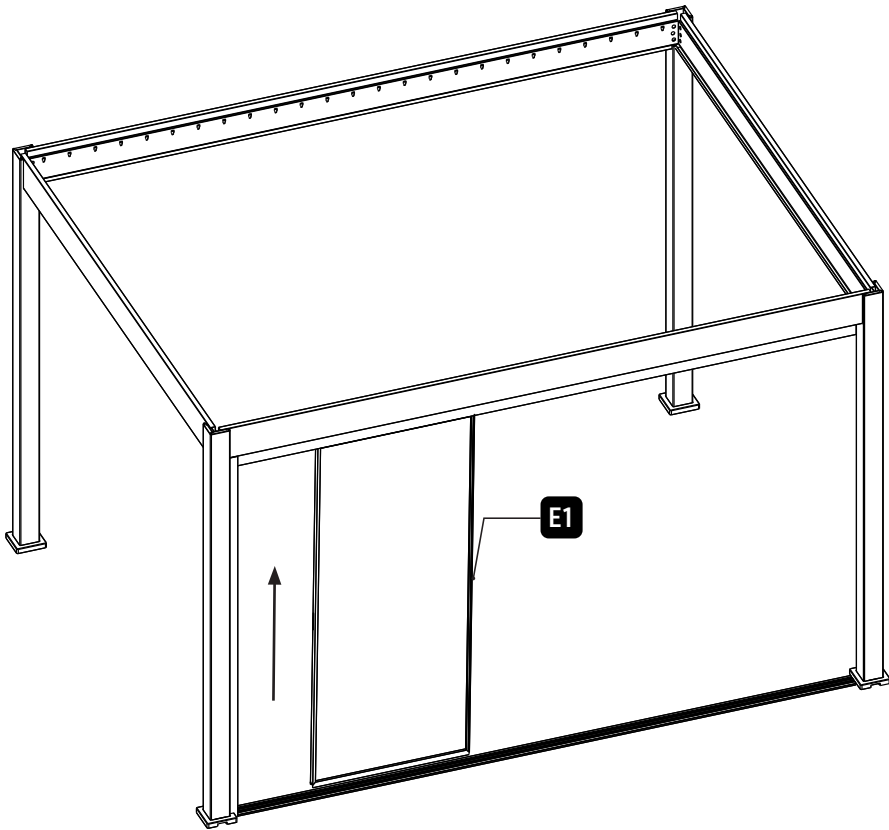
Install screws to fasten the components.



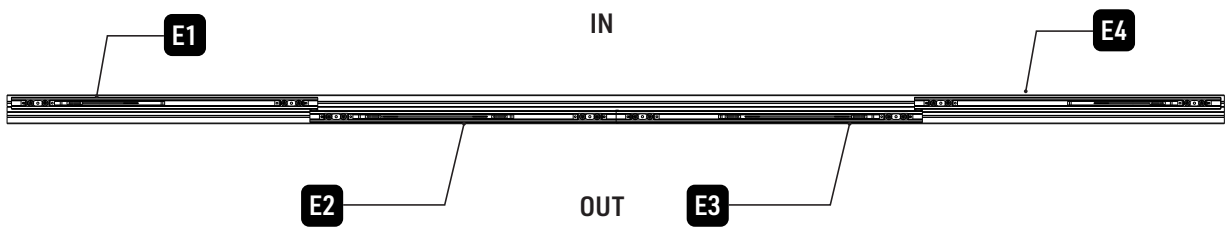
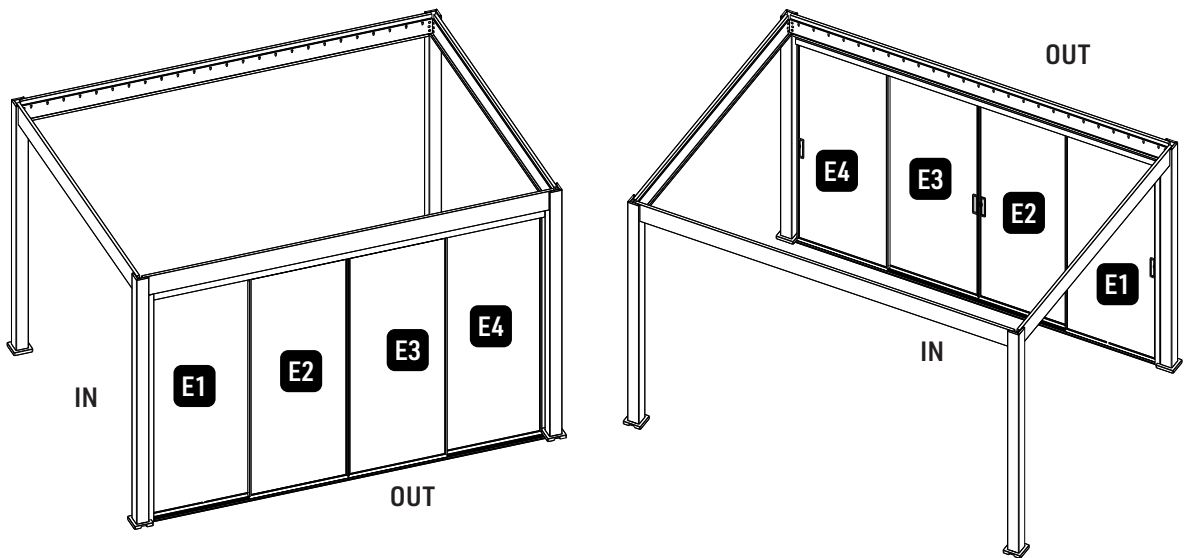
Secure the ground beam with foundation bolts.



Engage the cover plate until it clicks into position.

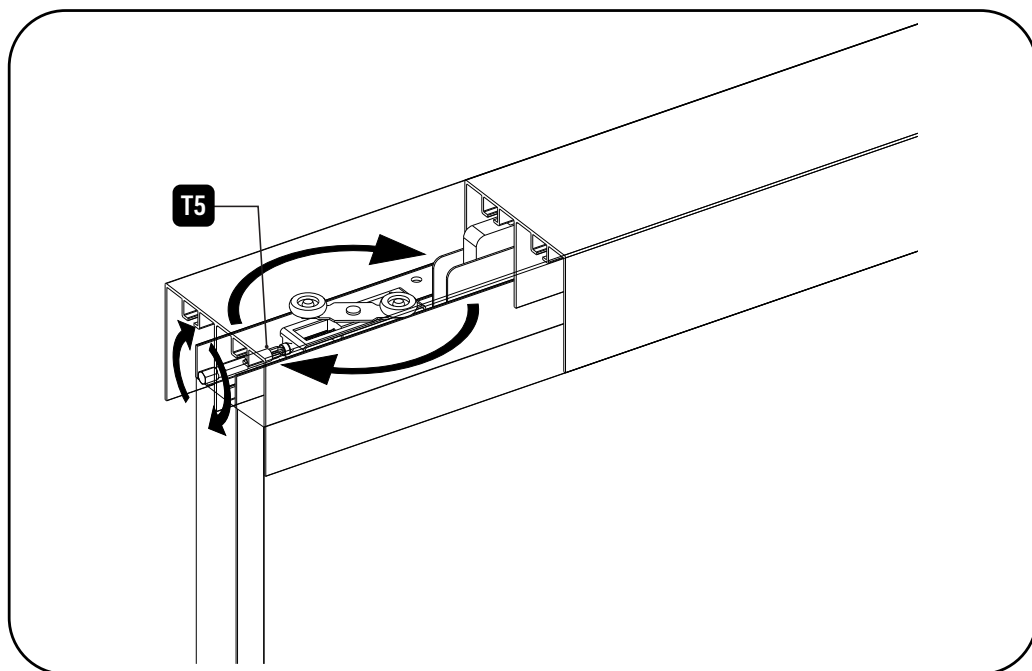
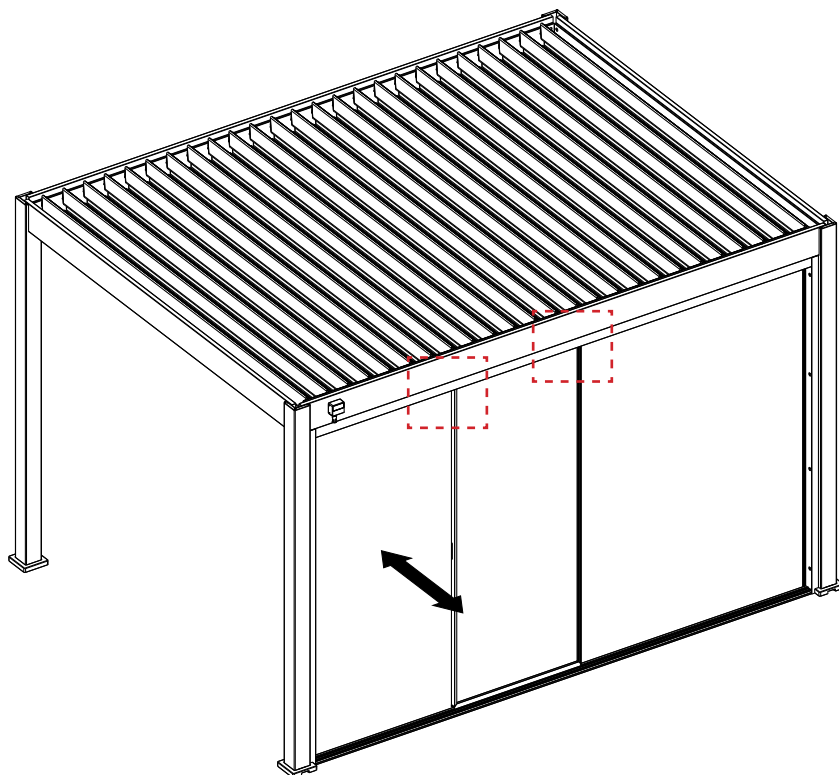


Place the glass door according to the diagram.

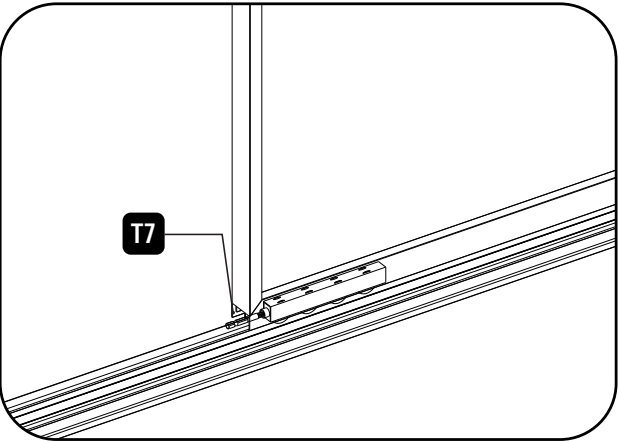
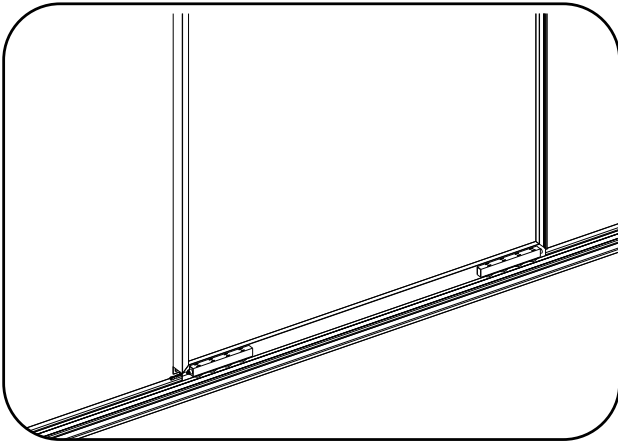
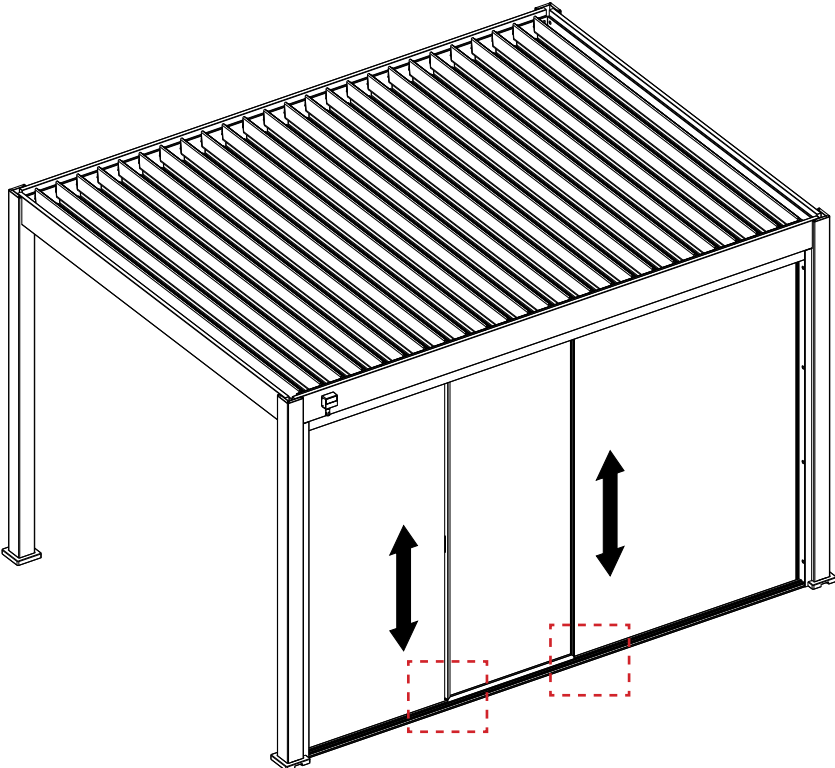


Place the glass door according to the diagram: E1 and E4 on the inner track with the handle on the inside; E2 and E3 on the outer track with the handle on the inside.

Adjust the top swing wheel of the glass door to secure its left and right sides and prevent shaking.

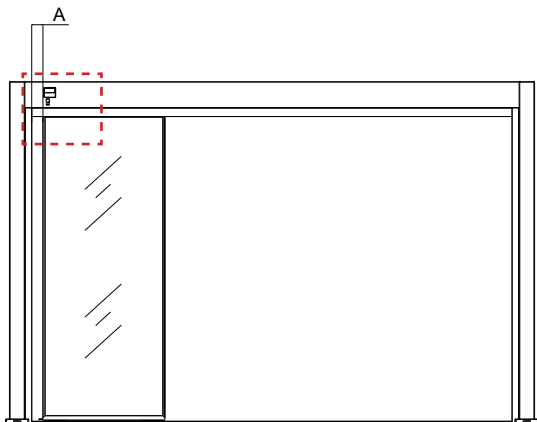


Calibrate the lower track rollers to correct the glass sliding door's height and maintain perfect horizontal alignment.

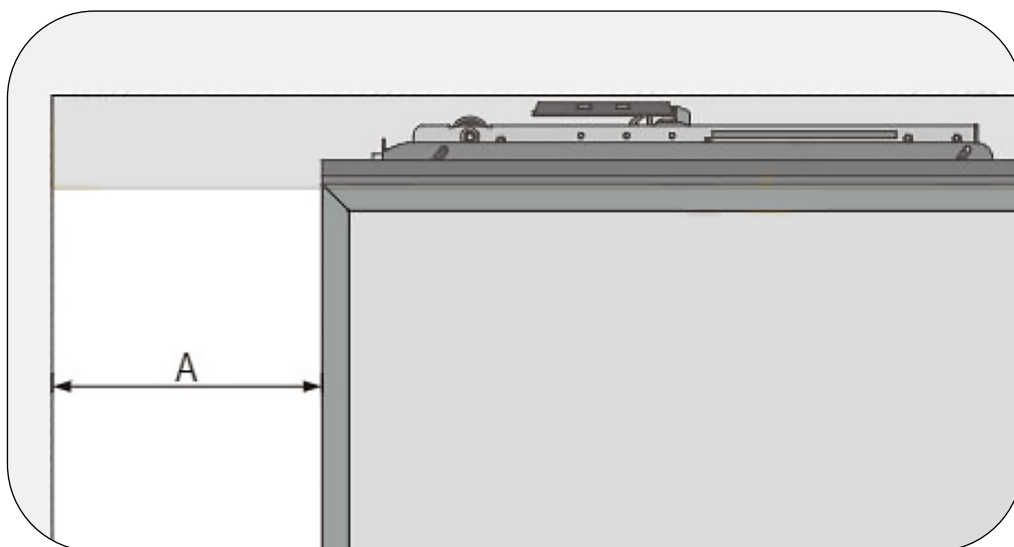


The glass sliding door is malfunctioning.

The glass door fails to close properly.



1. Press the door fully closed and hold it steady, then measure the distance between the door panel and the cabinet body.



2. Loosen the damping stopper, adjust it to align with the measured distance, and tighten the stopper to secure its position

