



THE BLOODLINE BOILS.

The first-ever BMW M2 embodies the renegade sports coupe spirit that has defined BMW M for more than four decades. Light, agile, powerful – with a racer’s soul and track performance wrapped in a muscular body – the M2 is a car you don’t so much sit in as you become one with. Drive on.

BMW M2 COUPE

EXTERIOR COLORS

UPHOLSTERY

INTERIOR TRIMS

WHEELS / TIRES





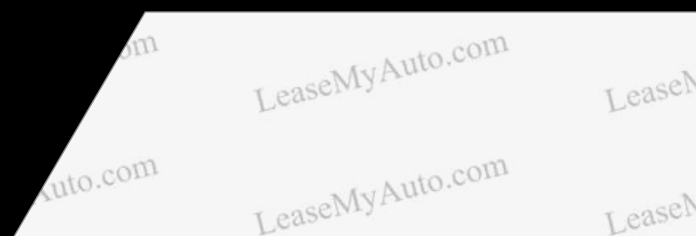
THE INSIDE FOR THE RACER INSIDE YOU.
From the extra cornering support of Dakota leather sport seats and a beefy M steering wheel to carbon fiber trim, this is an interior that satisfies the racer in your soul.

M2 METALLIC

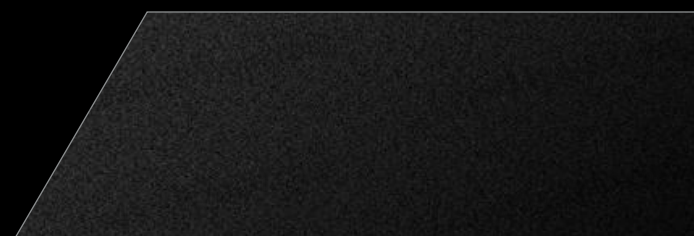
COUPE

EXTERIOR COLORS

NON-METALLIC



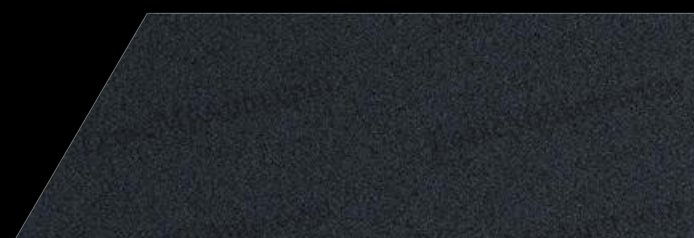
300
Alpine White (Non-metallic)



475
Black Sapphire Metallic



C16
Long Beach Blue Metallic



B39
Mineral Gray Metallic

M2 COUPE

UPHOLSTERY

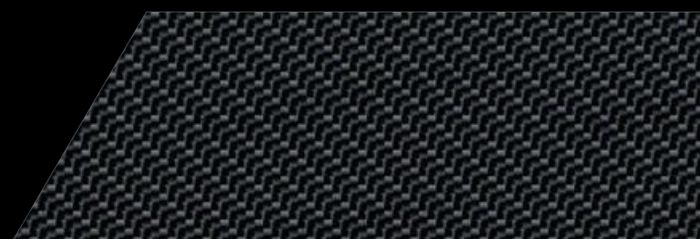


LCNL
Black Dakota Leather / Blue highlight

Leather: Leather on all seating surfaces; other components may be Leather or SensaTec.

M2 COUPE

INTERIOR TRIMS



4MC
Carbon Fiber trim

M2 COUPE

WHEELS / TIRES



Black Double Spoke light alloy wheels
(Style 437M)
19 x 9.0 front, 19 x 10.0 rear; and 245/35 front,
265/35 rear performance tires^{1, 2, 3}

¹ Does not come equipped with a spare wheel and tire.

² Driving over rough or damaged road surfaces, as well as debris, curbs and other obstacles, can cause serious damage to wheels, tires and suspension parts. This is more likely to occur with low-profile tires, which provide less cushioning between the wheel and the road. It is helpful to avoid road bumps and reduce speed, especially if the vehicle is equipped with low-profile tires.

³ Performance tires include Mobility Kit; not recommended for driving in ice and snow conditions.

For the latest information on standard and optional features, packages and technical specifications, visit bmwusa.com to select the BMW model that is right for your choice.

M2 COUPE

PACKAGES

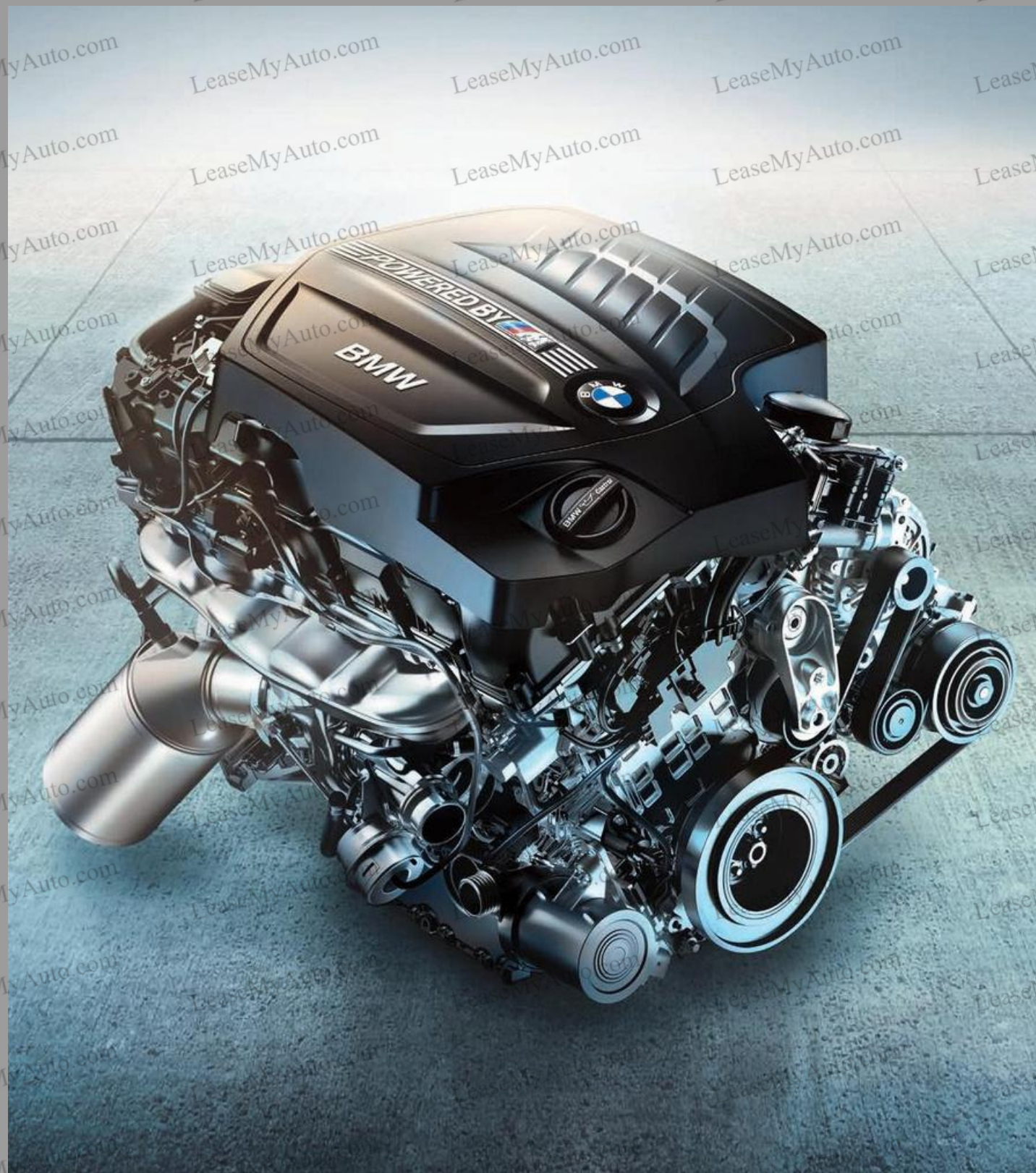
EXECUTIVE PACKAGE

- Heated steering wheel
- Rear-view Camera
- Park Distance Control (rear)
- Automatic high beams
- Active Driving Assistant¹
- Wireless Charging
- WiFi Hotspot
- Speed Limit Info

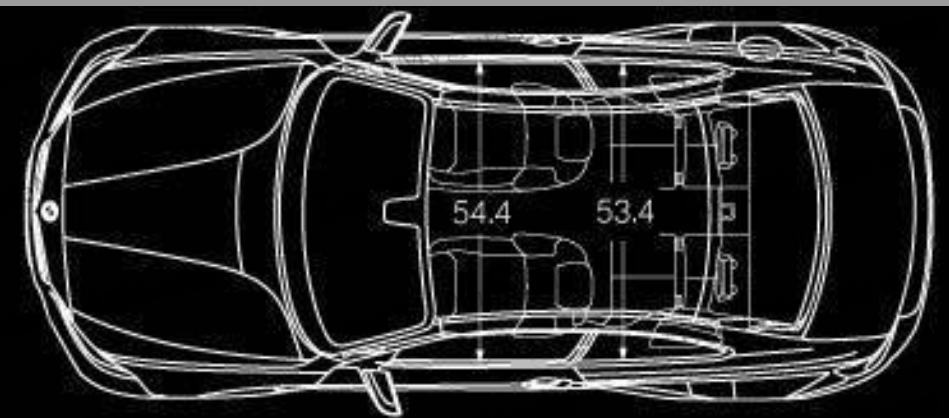
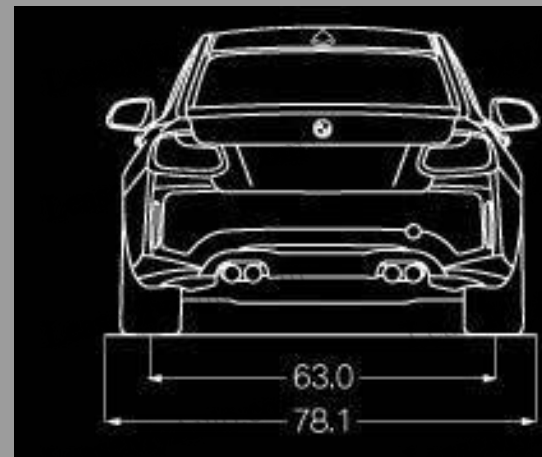
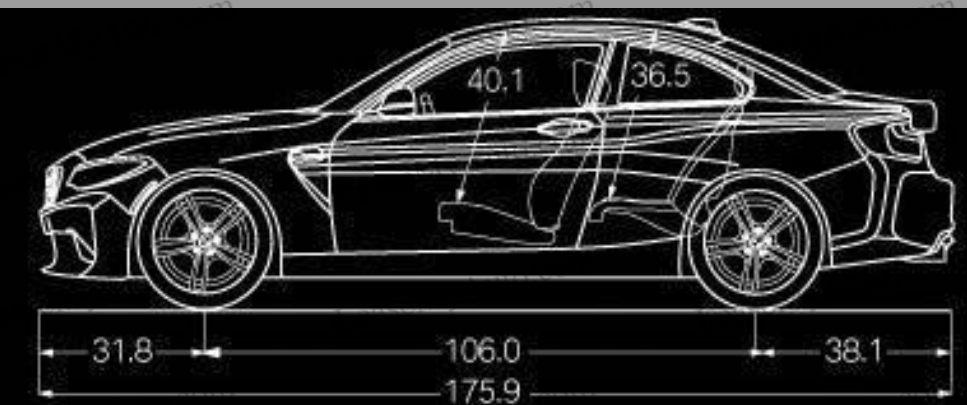
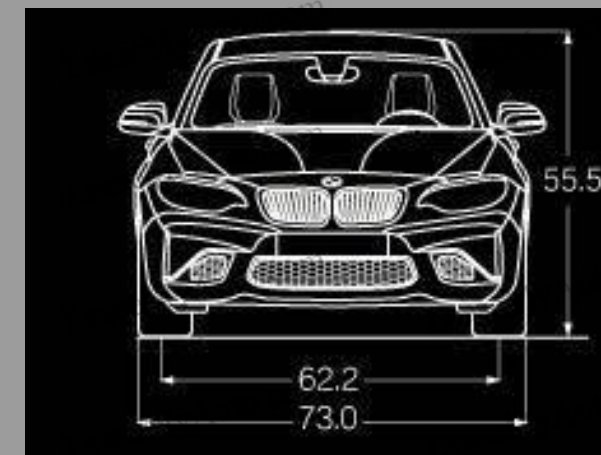
Active Driving Assistant is not a substitute for the driver's own responsibility in maintaining safe control of the vehicle. Get the latest information on standard and optional features, packages and technical specifications. Visit leasemyauto.com and select the BMW model of your choice.

M2 COUPE

TECHNICAL DATA



ENGINE	3.0-liter M TwinPower Turbo inline 6-cylinder
OUTPUT @ RPM	365 hp @ 6500 / 343 lb-ft @ 1400-5560
0-60 MPH (sec) ¹	4.2 [4.4]
CITY / HIGHWAY / COMBINED MPG	20/26/22 [18/26/21]



¹ Figures refer to vehicles with manual transmission. Figures subject to change. Not all packages available in all models. Please visit your BMW Dealer or bmwusa.com for most up-to-date information. BMW AG preliminary test results. Actual acceleration results may vary, depending on speed, load, and environmental conditions, testing procedure, and driving style. These results should be used for comparison only and verification should not be attempted on public roads. BMW urges you to obey all posted speed laws and always wear safety belts. For the latest information on standards, features, packages, and technical specifications, visit bmwusa.com to select the BMW model that is right for your choice.