

Expedition Vehicle  
Components

Overland Accessories

# Motorcraft

2024



# MOTORCRAFT OVERLAND ACCESSORIES

## THE UK'S LEADING MANUFACTURER OF EXPEDITION VEHICLE ACCESSORIES



### About Us

Motorcraft is proud to operate from a state-of-the-art 60,000 square foot facility located in the picturesque North of England. Within this expansive space, we employ a dedicated team of thirty-six highly skilled craftsmen supported by a strong and visionary leadership team. Our collective expertise and commitment drives our mission to deliver unparalleled manufacturing solutions for our valued clients.

Our success is rooted in continuous investment in cutting-edge equipment and comprehensive training programs. By expanding our core skills and capabilities, we ensure that we can adeptly handle all vehicle disciplines. This dedication to growth and excellence enables us to meet the diverse and evolving needs of our customers with both precision and innovation.

At Motorcraft, our unique end-to-end approach is a cornerstone of our operations. By keeping all aspects of manufacturing under one roof, we maintain stringent control over the quality of our products from start to finish. This seamless integration allows us to consistently deliver superior products that meet the highest standards of craftsmanship and performance.

Every product featured in this catalogue is a testament to our meticulous attention to detail and quality assurance. Designed, manufactured, quality checked and packaged within our factory in Doncaster, each item reflects our unwavering commitment to excellence.

We take immense pride in our ability to offer comprehensive solutions that encompass the entire manufacturing process. Our facility is more than just a production site; it is a hub of innovation, quality and craftsmanship that sets Motorcraft apart in the industry.

# We ship internationally

Wherever your adventure, we will get it to you.

## Table Of Contents

<b>Windows page</b>	<b>Pages 6-10</b>
<b>Doors</b>	<b>Pages 14 - 17</b>
<b>Hatches</b>	<b>Pages 20 - 27</b>
<b>Skylights</b>	<b>Pages 30 - 31</b>
<b>GRP Products</b>	<b>Pages 34 - 47</b>
<b>Fabricated Products</b>	<b>Pages 50 - 53</b>
<b>Habitation Bodies</b>	<b>Pages 56 - 57</b>
<b>Notes</b>	<b>Pages 58-59</b>





# WINN DOWNS

# Expedition Windows

Part Number - **See Table**

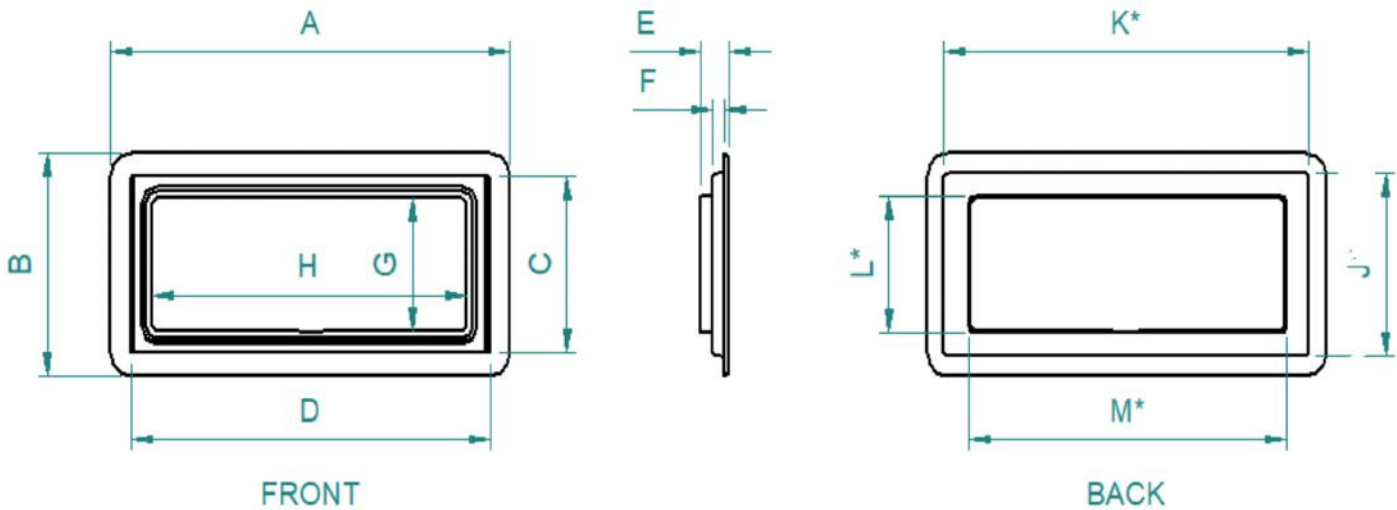


## Features

- Double glazed
- 43r rated toughened glass
- Black anodised handles
- Supplied in white

## Remarks

- Natural handles available
- Includes blind/fly screen
- Available with frosted glass
- Available In RAL colours



		A	B	C	D	E	F	G	H	J	K	L	M
<b>Window Size A</b> SKU-0034	mm	1200	660	560	1100	120	35	465	990	575	1110	475	995
	Inch	47.2	23.6	22	43.3	4.7	1.4	18.3	39	22.6	43.7	18.7	39.2
<b>Window Size B</b> SKU-0035	mm	1005	500	400	905	120	35	305	790	415	9200	310	795
	Inch	39.6	19.7	15.7	35.6	4.7	1.4	12	31.1	16.3	36.2	12.2	31.3
<b>Window Size C</b> SKU-0036	mm	970	660	560	875	120	35	465	760	565	890	470	770
	Inch	38.2	26	22	34.5	4.7	1.4	18.3	29.9	22.2	35	18.5	30.3
<b>Window Size D</b> SKU-0037	mm	785	500	400	685	120	35	300	570	420	700	325	590
	Inch	30.9	19.7	15.7	27	4.7	1.4	11.8	22.4	16.5	27.6	12.8	23.2
<b>Window Size E</b> SKU-0044	mm	700	440	340	600	120	35	250	490	350	615	260	500
	Inch	27.6	17.3	13.4	23.6	4.7	1.4	9.8	19.3	13.8	24.2	10.2	19.7
<b>Window Size EV</b> SKU-0045	mm	440	700	600	340	120	35	505	240	615	350	510	245
	Inch	17.3	27.6	23.6	13.4	4.7	1.4	19.9	9.4	24.2	13.8	20.1	9.6
<b>Window Size F</b> SKU-0046	mm	450	590	540	400	120	35	408	250	500	360	420	260
	Inch	17.7	23.2	21.3	15.7	4.7	1.4	16	9.8	19.8	14.1	16.5	10.2

Note - All dimensions are subject to a +/- 5mm tolerance due to the manufacturing process

Window Weights						
Size A	Size B	Size C	Size D	Size E	Size EV	Size F
16.5kg	10.5Kg	13.5kg	8.5kg	6.5kg	6.4kg	6kg

Note - Weights may vary due to the manufacturing process

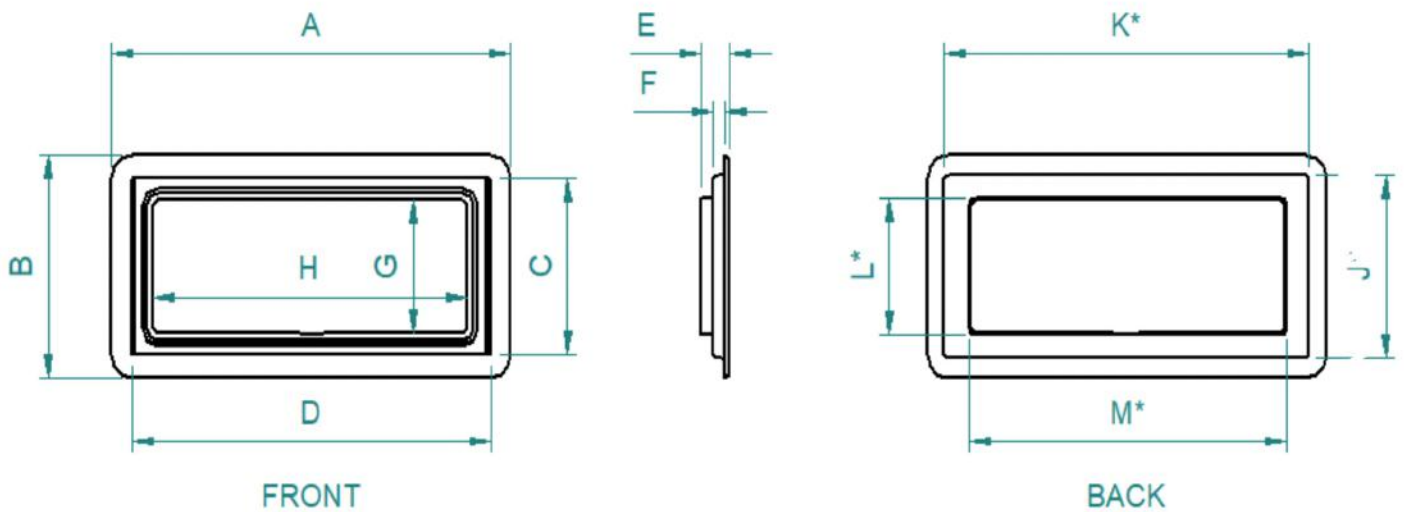


### Features

- Slimmer frame for Vans
- Double glazed
- 43r rated toughened glass
- Black anodised handles
- Supplied in black

### Remarks

- Natural handles available
- Optional blind/fly screen
- Available with frosted glass
- Available in Ral colours



		A	B	C	D	E	F	G	H	J	K	L	M
<b>Window Size VB</b> SKU-0053	mm	955	450	400	905	55	35	305	790	415	920	310	795
	Inch	37.6	17.7	15.7	35.6	2.1	1.4	12	31.1	16.3	36.2	12.2	31.2
<b>Window Size VD</b> SKU-0054	mm	735	450	400	685	55	35	300	570	420	700	325	590
	Inch	28.9	17.7	15.7	27	2.1	1.4	11.8	22.4	16.5	27.6	12.8	23.2
<b>Window Size VE</b> SKU-0055	mm	650	390	340	600	55	35	250	490	350	615	260	500
	Inch	25.6	15.4	13.4	23.6	2.1	1.4	9.8	19.3	13.8	24.2	10.2	19.7
<b>Window Size VEV</b> SKU-0056	mm	390	650	600	340	55	35	505	240	615	350	510	245
	Inch	15.4	25.6	23.6	13.4	2.1	1.4	19.9	9.4	24.2	13.8	20	9.6
<b>Window Size vF</b> SKU-0057	mm	450	590	540	400	55	35	408	250	500	360	420	260
	Inch	17.7	23.2	21.3	15.7	2.1	1.4	16.1	9.8	19.7	14.2	16.5	10.2

Note - All dimensions are subject to a +/- 5mm tolerance due to the manufacturing process

<b>Window Weights</b>				
Size VB	Size VD	Size VE	Size VEV	Size VF
10Kg	8kg	6kg	6kg	5.5kg

Note - Weights may vary due to the manufacturing process

# Monsoon Windows

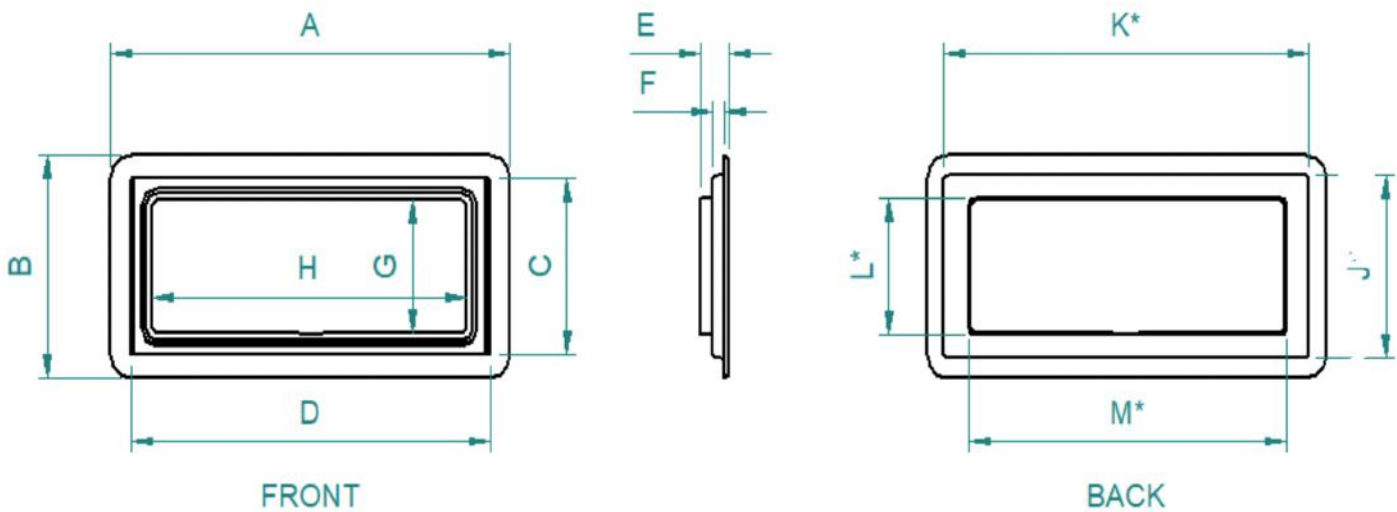
Part Number - **See Table**

## Features

- Extreme weather protection when open
- Double glazed
- 43r rated toughened glass
- Black anodised handles
- Supplied In white

## Remarks

- Natural handles available
- Includes blind/fly screen
- Available with frosted glass
- Available In RAL colours



		A	B	C	D	E	F	G	H	J	K	L	M
<b>Window Size A</b> SKU-0065	mm	1200	660	560	1100	120	35	465	990	575	1110	475	995
	Inch	47.2	23.6	22	43.3	4.7	1.4	18.3	39	22.6	43.7	18.7	39.2
<b>Window Size B</b> SKU-0066	mm	1005	500	400	905	120	35	305	790	415	9200	310	795
	Inch	39.6	19.7	15.7	35.6	4.7	1.4	12	31.1	16.3	36.2	12.2	31.3
<b>Window Size C</b> SKU-0067	mm	970	660	560	875	120	35	465	760	565	890	470	770
	Inch	38.2	26	22	34.5	4.7	1.4	18.3	29.9	22.2	35	18.5	30.3
<b>Window Size D</b> SKU-0068	mm	785	500	400	685	120	35	300	570	420	700	325	590
	Inch	30.9	19.7	15.7	27	4.7	1.4	11.8	22.4	16.5	27.6	12.8	23.2
<b>Window Size E</b> SKU-0069	mm	700	440	340	600	120	35	250	490	350	615	260	500
	Inch	27.6	17.3	13.4	23.6	4.7	1.4	9.8	19.3	13.8	24.2	10.2	19.7
<b>Window Size EV</b> SKU-0070	mm	440	700	600	340	120	35	505	240	615	350	510	245
	Inch	17.3	27.6	23.6	13.4	4.7	1.4	19.9	9.4	24.2	13.8	20.1	9.6
<b>Window Size F</b> SKU-0071	mm	450	590	540	400	120	35	408	250	500	360	420	260
	Inch	17.7	23.2	21.3	15.7	4.7	1.4	16	9.8	19.8	14.1	16.5	10.2

Note - All dimensions are subject to a +/- 5mm tolerance due to the manufacturing process

## Window Weights

Size A	Size B	Size C	Size D	Size E	Size EV	Size F
17kg	11Kg	14kg	9kg	7kg	6.9kg	6.5kg

Note - Weights may vary due to the manufacturing process



## Aluminium Window Handle

Part Number - **See table**



### Features

- Cock-spur handle
- Billet aluminium machined

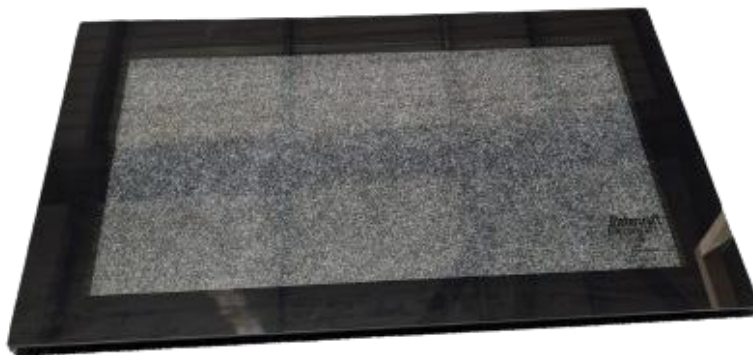
### Remarks

- Sold individually
- Only available as a replacement item

Description	Part Number
Left Hand Black Anodised	SKU-0003
Right Hand Black Anodised	SKU-0001
Left Hand Natural	SKU-0075
Right Hand Natural	SKU-0072

## Replacement Glass Units

Part Number - **See Table**



### Features

- Double glazed
- 43r rated toughened glass
- Black anodised handles

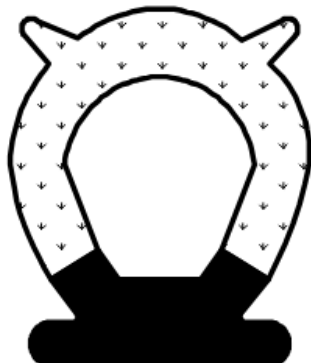
### Remarks

- Suitable for Expedition, Van and Monsoon frames
- Only available as a replacement item

Size	Size A	Size B	Size C	Size D	Size E	Size EV	Size F
Part Number	SKU-0011	SKU-0012	SKU-0013	SKU-0014	SKU-0015	SKU-0016	SKU-0017

## Seal

Part Number - **SKU- 1009**



### Features

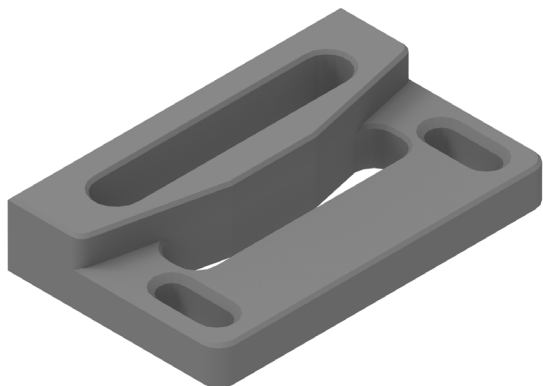
- Adhesive Backed
- Neoprene bulb Seal

### Remarks

- Suitable for Expedition, Van and Monsoon frames
- Sold by the Metre

## Window Keep

Part Number - **SKU-0002**



### Features

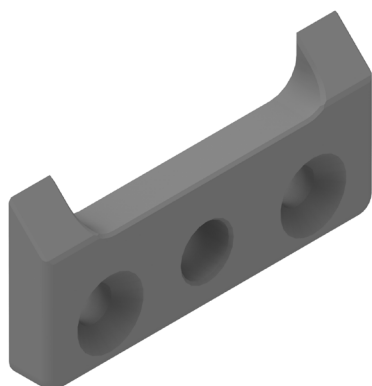
- Material - Black Copolymer

### Remarks

- Sold Individually
- Only available as a replacement item

## Handle Catch Plate

Part Number - **SKU- 0005**



### Features

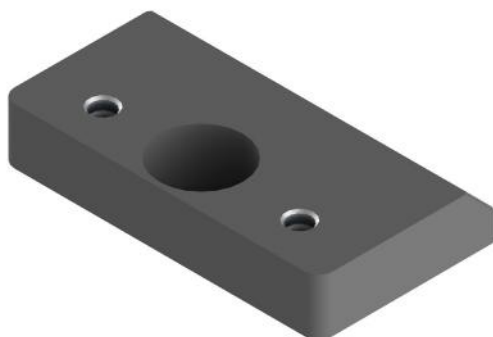
- Aluminium
- Black Anodised

### Remarks

- Sold Individually
- Only available as a replacement item

## Base Plate

Part Number - **SKU-006**



### Features

- Aluminium
- Black Anodised

### Remarks

- Sold Individually
- Only available as a replacement item

## Hinges

Part Number - **See Table**



### Features

- Stainless steel
- Friction Adjuster

### Remarks

- Two Sizes Available
- Supplied in Pairs

12 Inch	SKU-0009
16 Inch	SKU-0010





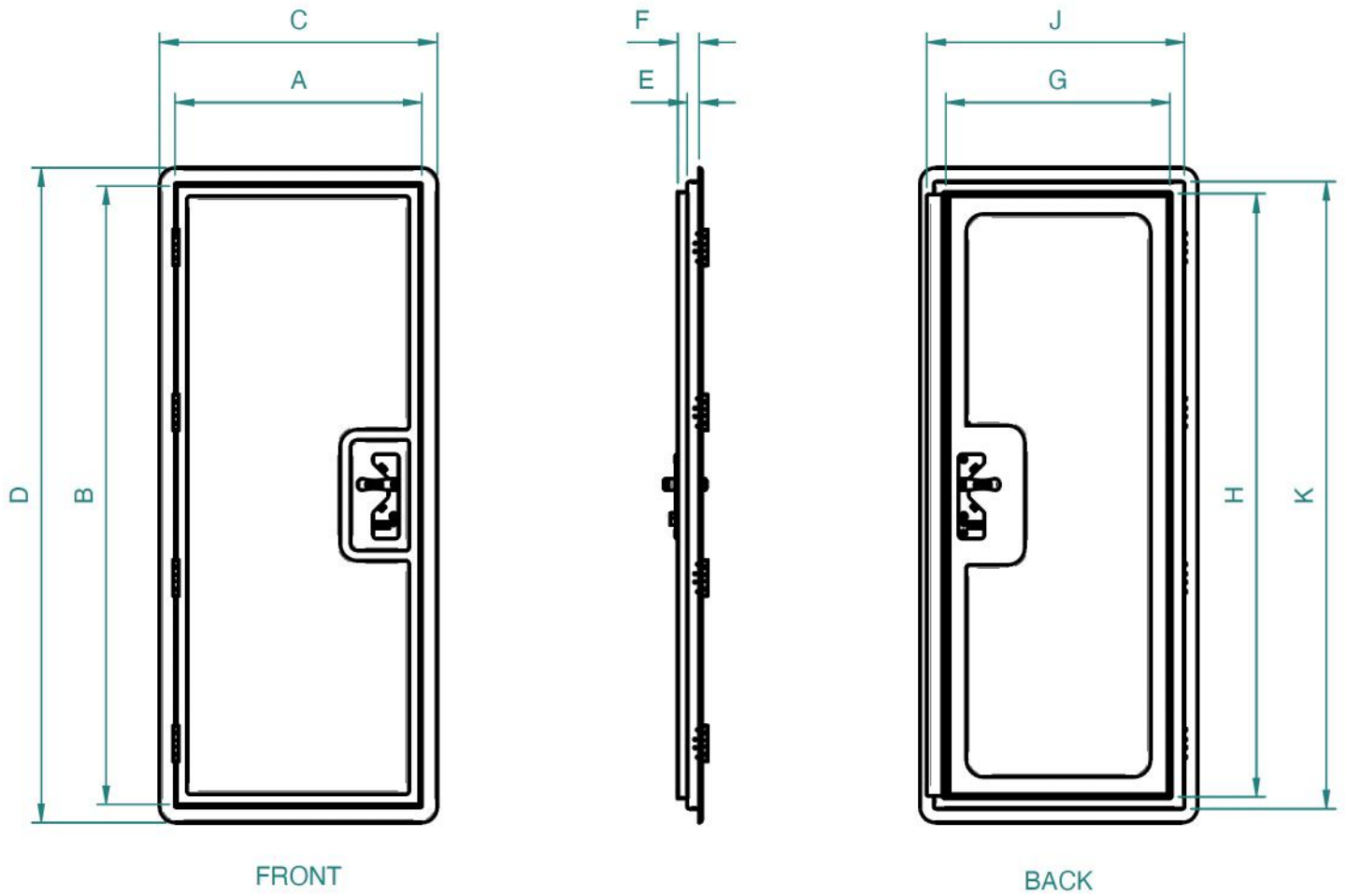


DOORS

# Multi-Point locking Doors



Introducing the versatile and stylish Motorcraft expedition vehicle doors, designed to meet all your adventure needs. Available in two widths, 650mm and 700mm, these doors offer flexibility and customisation. Choose between a sleek, solid design with no window or opt for a practical opening window. Enhance your door's appearance with either sophisticated anodised black or a timeless natural finished door furniture. For ultimate functionality, the 650mm doors feature four robust stainless steel roller ball hinges, while the 700mm doors boast a continuous hinge for seamless operation. Elevate your expedition vehicle with doors that combine form, function and flair.



		A	B	C	D	E	F	G	H	J	K
<b>650 Wide</b>	mm	715	1794	805	1900	35	60	650	1750	745	1820
	Inch	28.1	70.6	31.7	74.8	1.4	2.4	25.6	69	29	71.6
<b>700 Wide</b>	mm	750	1800	860	1910	50	120	705	1755	790	1820
	Inch	29.5	70.9	33.9	75.2	2	4.7	27.8	69	31.1	71.1

<b>Part Numbers</b>				
	<b>Left Hand Hinged Natural Door Furniture</b>	<b>Right Hand Hinged Natural Door Furniture</b>	<b>Left Hand Hinged Black Door Furniture</b>	<b>Right Hand Hinged Black Door Furniture</b>
<b>650 Wide No Window</b>	SKU-1092	SKU-1094	SKU-0246	SKU-1077
<b>650 Wide With Window</b>	SKU-1093	SKU-1095	SKU-1066	SKU-1091
<b>700 Wide No Window</b>	SKU-1098	SKU-1099	SKU-0234	SKU-1096
<b>700 Wide With Window</b>	SKU-1101	SKU-1100	SKU-0821	SKU-1097

## Yale door Lock

Part Number - **SKU-0182**



### Features

- Yale 3 star Lock
- Stainless Steel

### Remarks

- Sold Individually

## Door Handle Back Plate

Part Number - **See Table**



### Features

- Billet Aluminium
- Black anodised Or Natural finish
- Left and Right Handed

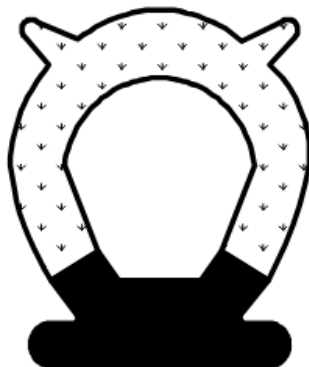
### Remarks

- Sold Individually
- Only available as a replacement item

Description	Part No	
	Inside	Outside
Left Hand Black Anodised	SKU-0151	SKU-0150
Right Hand Black Anodised	SKU-0149	SKU-00148
Left Hand Natural	SKU-0451	SKU-0450
Right Hand Natural	SKU-0449	SKU-0448

## Seal

Part Number - **SKU- 1009**



### Features

- Adhesive Backed
- Neoprene bulb Seal

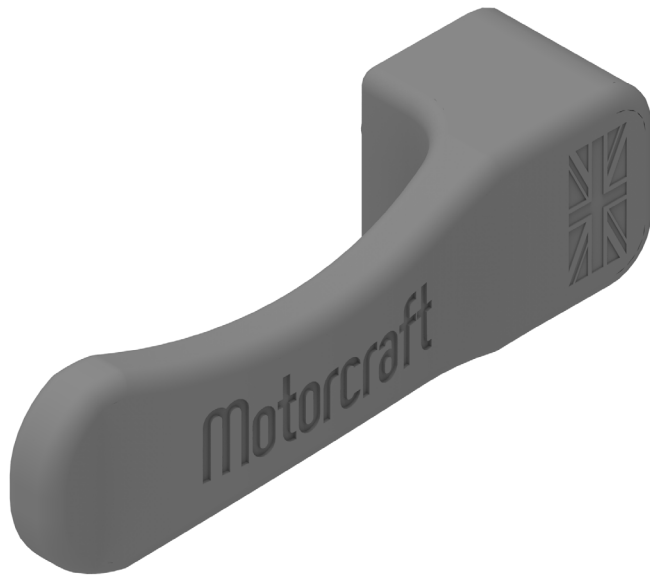
### Remarks

- Suitable for Expedition, Van and Monsoon frames
- Sold by the Metre



# Door Handle

Part Number - **See Table**



## Features

- Billet Aluminium
- Black anodised Or Natural finish
- Left and Right Handed

## Remarks

- Sold Individually
- Only available as a replacement item

Description	Part Number
Left Hand Black Anodised	SKU-0079
Right Hand Black Anodised	SKU-0078
Left Hand Natural	SKU-0081
Right Hand Natural	SKU-0080







# HATCHES

# Safari Hatches

Part Number - **See Table**

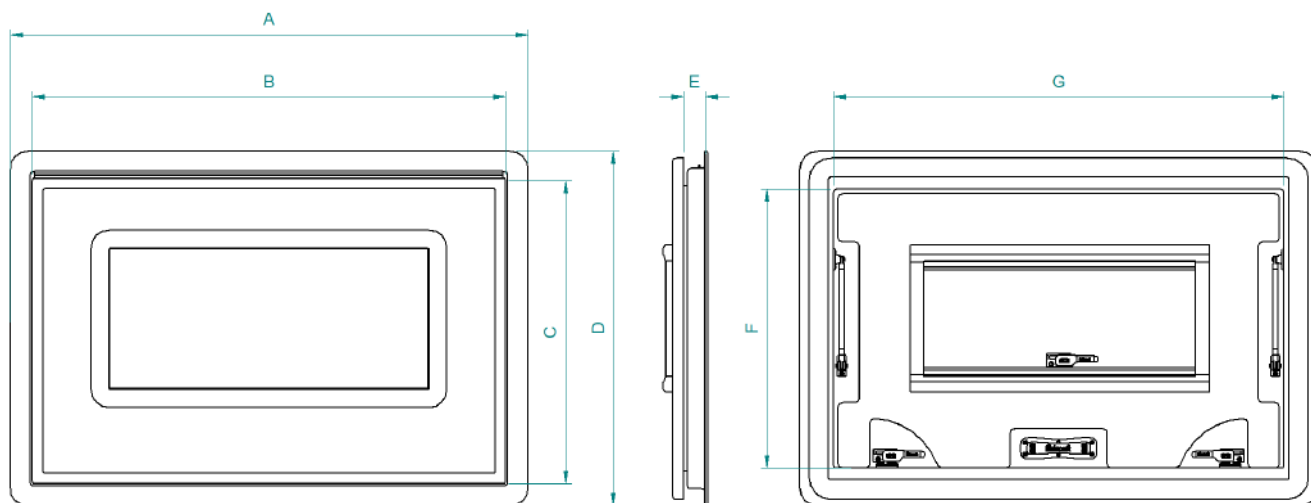


## Features

- Double glazed
- 43r rated toughened glass
- Black anodised handles
- Includes blind/fly screen for window only

## Remarks

- Natural handles available



		A	B	C	D	E	F	G
<b>Standard Safari Hatch</b>	mm	1464	1337	863	1000	<100	786	1274
	Inch	57.6	52.6	34	39.4	<3.9	31	50.2
<b>Small Safari Hatch</b>	mm	1200	1080	770	890	<100	695	1020
	Inch	47.2	42.5	30.3	35	<3.9	27.4	40.2

Note - All dimensions are subject to a +/- 5mm tolerance due to the manufacturing process

<b>Part Numbers</b>			
	<b>No Widow</b>	<b>Fixed Window</b>	<b>Opening Window</b>
<b>Standard Safari Hatch</b>	SKU-0901	SKU-0902	SKU-0903
<b>Small Safari Hatch</b>	SKU-0897	SKU-0898	SKU-0900

# Rear Tapered Hatches

Part Number - **See Table**

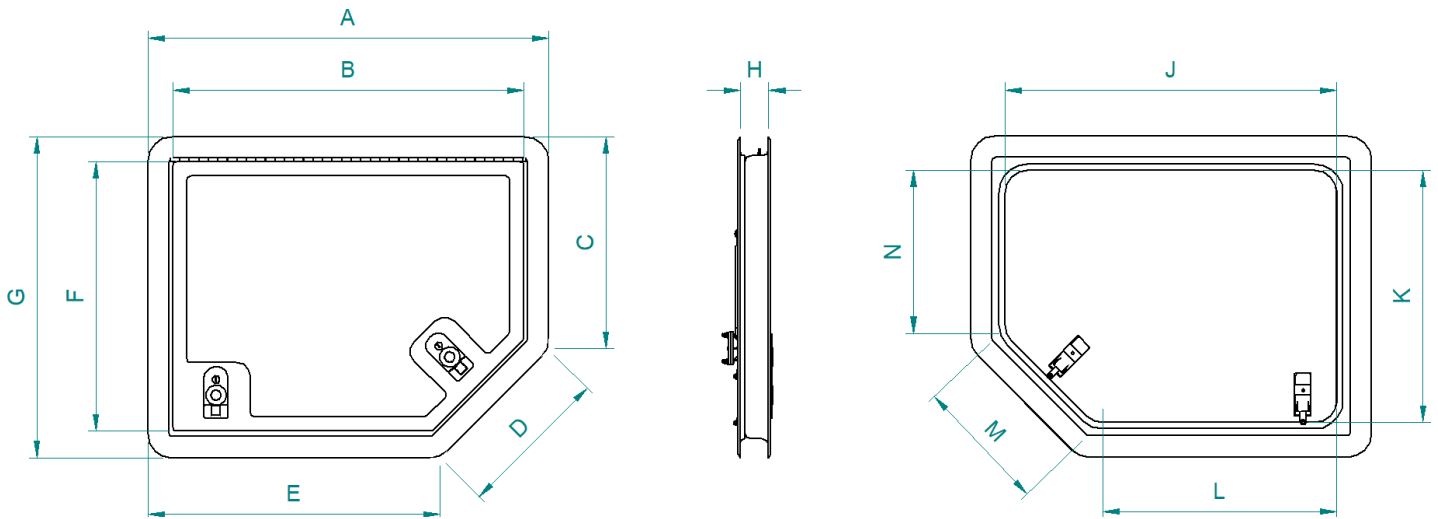


## Features

- Insulated
- Multi Point Locking
- Keyed -Alike

## Remarks

- Supplied in white



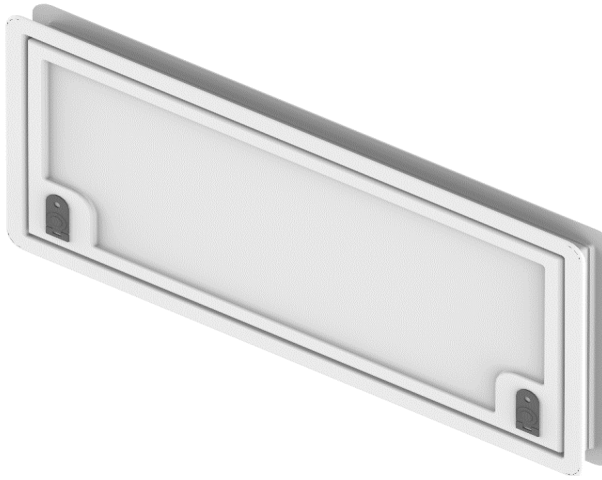
		A	B	C	D	E	F	G	H	J	K	L	M	N
Tapered Hatch Size A	mm	660	570	320	382	390	495	590	<100	530	460	298	325	230
	Inch	26	22.4	12.6	15	15.3	19.5	23.2	<3.9	20.9	18.1	11.7	12.8	9
Tapered Hatch Size B	mm	850	745	450	680	620	570	680	<100	710	540	520	250	350
	Inch	33.5	29.3	17.7	12.8	24.4	22.4	26.8	<3.9	28	21.3	20.5	9.8	13.8
Tapered Hatch Size C	mm	1190	1090	460	325	960	587	690	<100	1020	520	840	255	340
	Inch	46.9	42.9	18.1	12.8	37.8	23.1	27.2	<3.9	40.2	20.5	33.1	10	13.4
Tapered Hatch Size D	mm	1195	1095	360	474	860	590	695	<100	1040	540	750	410	250
	Inch	47	43.1	14.2	18.7	33.9	23.2	27.4	<3.9	40.9	21.3	29.5	16.1	9.8
Tapered Hatch Size E	mm	1277	1165	228	492	929	462	576	<100	1115	415	816	425	115
	Inch	50.3	45.9	9	19.4	36.6	18.2	22.7	<3.9	43.9	16.3	32.1	16.7	4.5
Tapered Hatch Size F	mm	1380	1278	820	366	1120	978	1080	<100	1200	900	995	292	695
	inch	54.3	50.3	33.5	14.4	44.1	38.5	42.5	<3.9	47.2	35.4	39.2	11.5	27.4

Note - All dimensions are subject to a +/- 5mm tolerance due to the manufacturing process

Part Numbers						
	Tapered Hatch Size A	Tapered Hatch Size B	Tapered Hatch Size C	Tapered Hatch Size D	Tapered Hatch Size E	Tapered Hatch Size F
Left Hand	SKU-0867	SKU-0220	SKU-0890	SKU-0875	SKU-0888	SKU-1050
Right Hand	SKU-0868	SKU-0224	SKU-0891	SKU-0870	SKU-0889	SKU-1049

# Access Hatches

Part Number - **See Table**

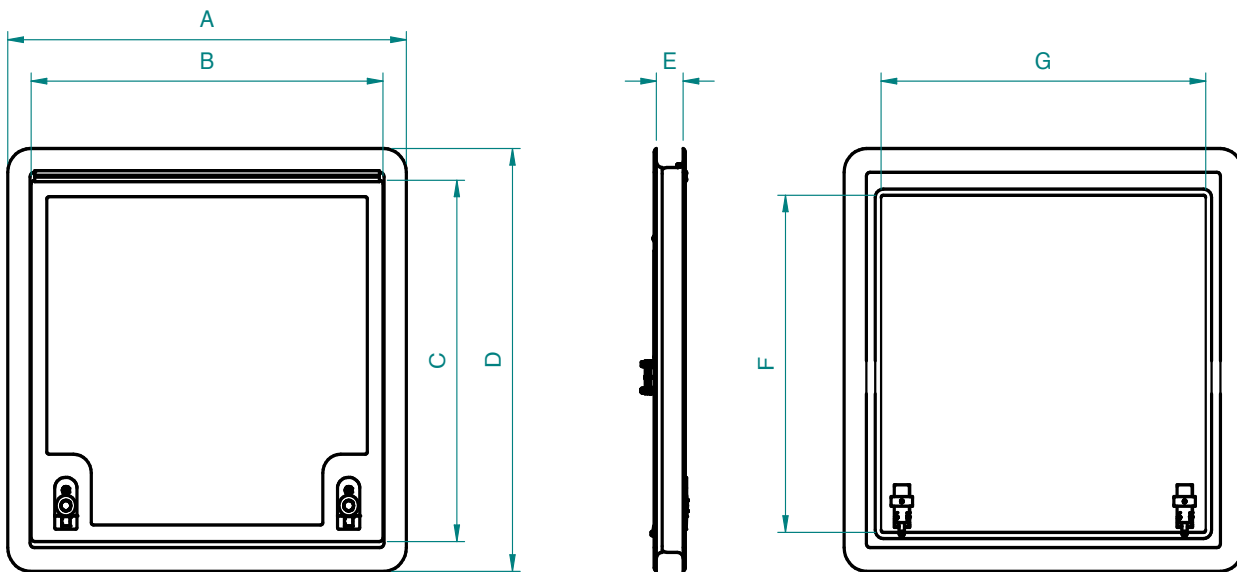


## Features

- Insulated
- Multi Point Locking
- Keyed -Alike

## Remarks

- Supplied in white



		A	B	C	D	E	F	G
SKU-0896	mm	895	790	765	895	≤100	735	720
	inch	35.2	31.1	30.1	35.2	≤3.9	28.9	28.3
SKU-0885	mm	1310	1210	535	640	≤100	500	1170
	inch	51.6	47.6	21	25.2	≤3.9	19.7	46.1
SKU-0872	mm	1040	930	540	425	≤100	375	875
	inch	40.9	36.3	21.3	16.7	≤3.9	14.8	34.4
SKU-0871	mm	1360	1250	738	860	≤100	690	1200
	inch	53.5	49.2	29	33.9	≤3.9	27.2	47.2
SKU-0887	mm	1830	1820	610	600	≤100	550	1770
	inch	72	71.7	24	23.6	≤3.9	21.7	69.7
SKU-0869	mm	1980	1878	760	656	≤100	610	1830
	inch	78	73.9	29.9	25.8	≤3.9	24	72
SKU-1051	mm	2073	1973	448	345	≤100	300	1925
	inch	81.6	77.7	17.6	13.6	≤3.9	11.8	75.8
SKU-0840	mm	1700	1590	553	440	≤100	405	1550
	inch	66.9	62.6	21.8	17.3	≤3.9	15.9	61
SKU-0876	mm	535	424	835	721	≤100	375	675
	inch	21.1	16.7	32.9	28.4	≤3.9	14.8	26.6
SKU-0844	mm	465	535	370	445	≤100	335	405
	inch	18.3	21	14.6	17.5	≤3.9	13.2	15.9

# Water filter Locker

Part Number - **See Table**

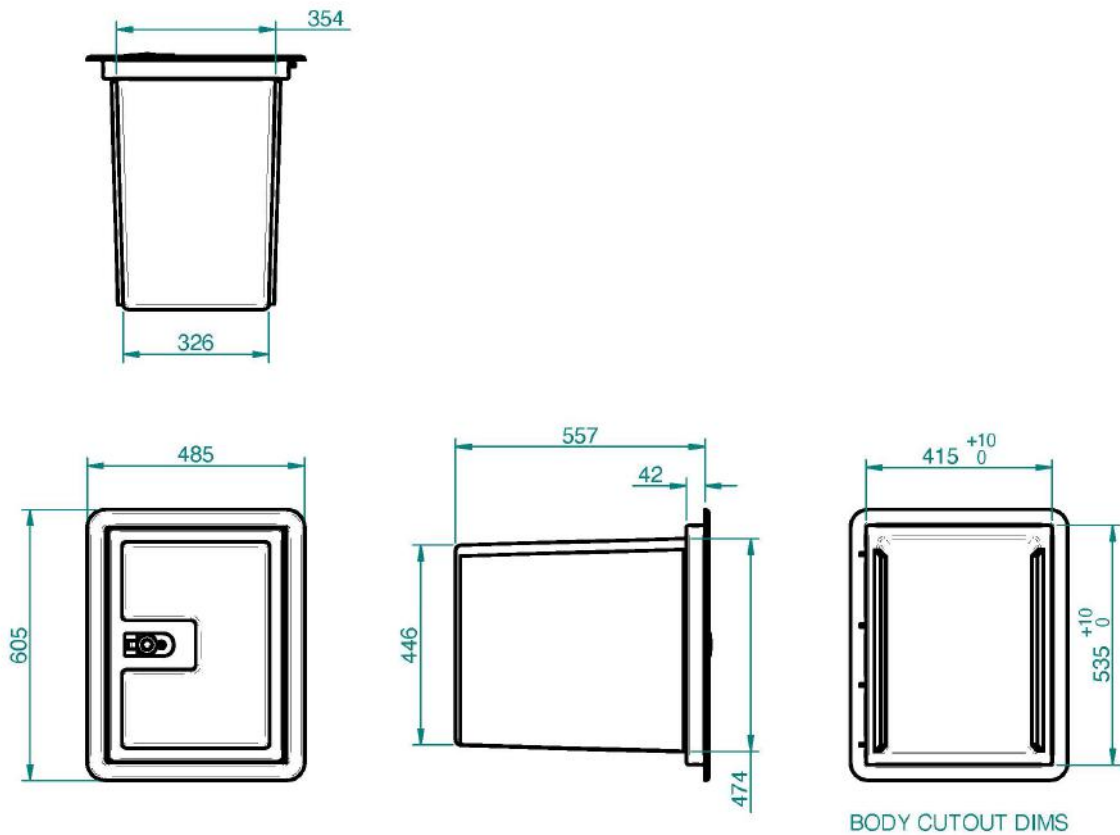


## Features

- Comes both populated with system components and unpopulated.

## Remarks

- Populated version includes 24v water pump, water filters, fill points, breathers, shower point, Accumulator
- All plumbed in ready to use.



Note - All dimensions are subject to a +/- 5mm tolerance due to the manufacturing process

Part Numbers	
Populated	SKU-0804
Unpopulated	SKU-0829

# Crawl Through Door

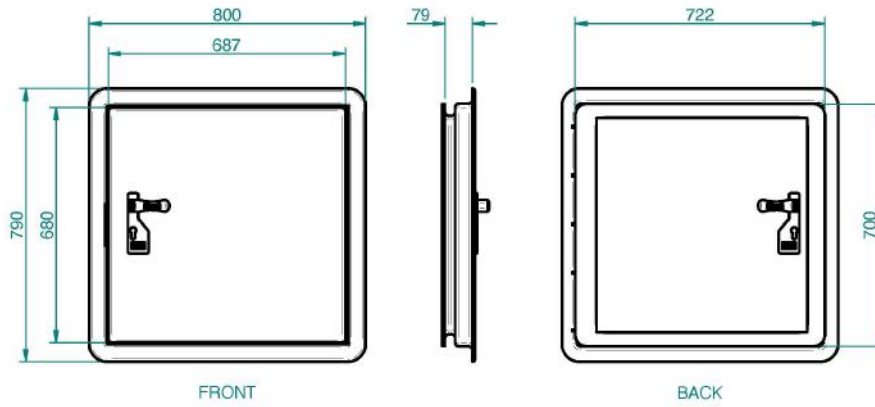
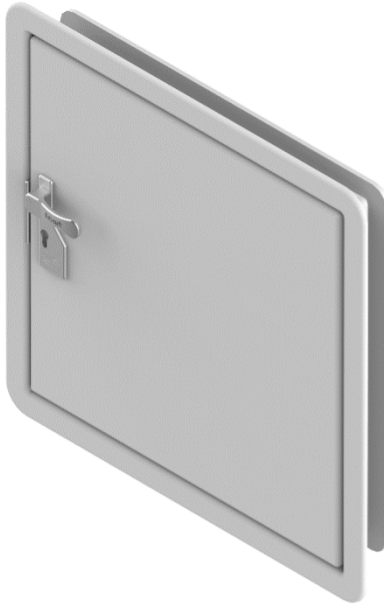
Part Number - **SKU-0784**

## Features

- Insulated
- Independent Latch and Lock
- Weather Proof
- Habitation body frame
- Includes accordion seal

## Remarks

- Supplied in white



Note - All dimensions are subject to a +/- 5mm tolerance due to the manufacturing process



---

## Hatch Latch

Part Number - **SKU-0001**



### Features

- Material - Black aluminium
- Keyed-alike

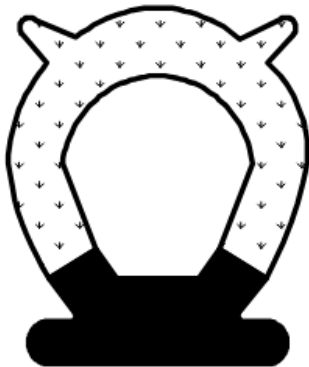
### Remarks

- Sold Individually

---

## Seal

Part Number - **SKU- 1009**



### Features

- Adhesive Backed
- Neoprene bulb Seal

### Remarks

- Suitable for Expedition, Van and Monsoon frames
  - Sold by the Metre
-

## Polymer Hinge

Part Number - **SKU-0180**



### Features

- Material - Black polymer

### Remarks

- Sold by the metre

## Grab Handle

Part Number - **SKU- 0207**



### Features

- Aluminium
- Black Anodised

### Remarks

- Sold Individually
- Only available as a replacement item

## Aluminium Window Handle

Part Number - **See table**



### Features

- Cock-spur Handle
- Billet Aluminium Machined

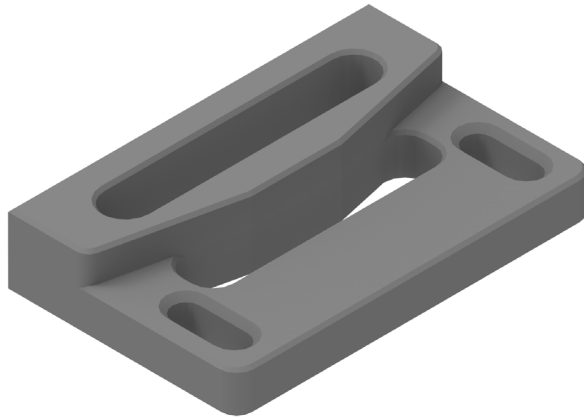
### Remarks

- Sold Individually
- Only available as a replacement item

Description	Part Number
Left Hand Black Anodised	SKU-0003
Right Hand Black Anodised	SKU-0001
Left Hand Natural	SKU-0075
Right Hand Natural	SKU-0072

## Window Keep

Part Number - **SKU-0002**



### Features

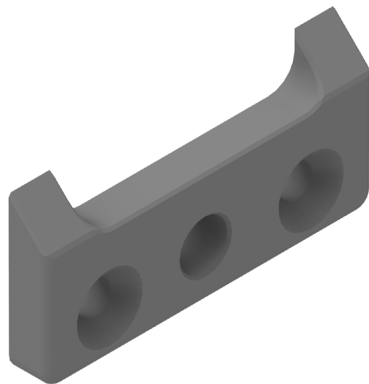
- Material - Black Copolymer

### Remarks

- Sold Individually
- Only available as a replacement item

## Handle Catch Plate

Part Number - **SKU- 0005**



### Features

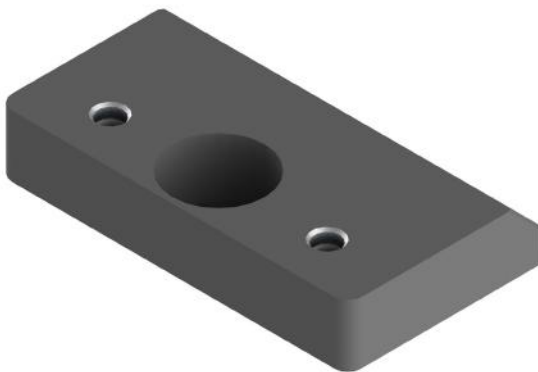
- Aluminium
- Black Anodised

### Remarks

- Sold Individually
- Only available as a replacement item

## Base Plate

Part Number - **SKU- 0006**



### Features

- Aluminium
- Black Anodised

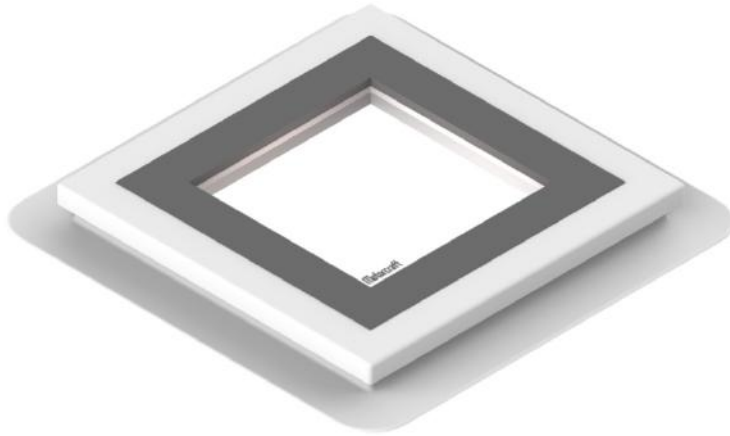
### Remarks

- Sold Individually
- Only available as a replacement item





# SKYY LIGHTS

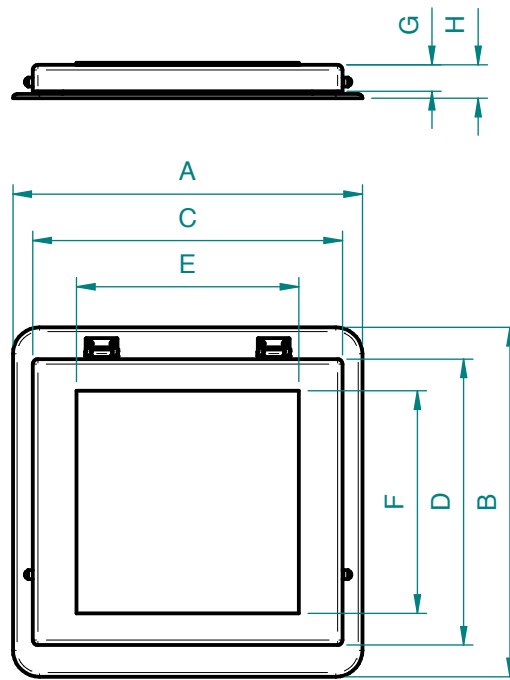


### Features

- Double glazed
- 43r rated toughened glass
- Black anodised handles
- Friction stay struts

### Remarks

- Natural handles available
- Optional blind/fly screen



		A	B	C	D	E	F	G	H
<b>Skylight Size A</b> SKU-0787	mm	670	670	530	530	290	290	50	60
	Inch	26.4	26.4	20.9	20.9	11.4	11.4	2	2.3
<b>Skylight Size B</b> SKU-0786	mm	890	890	730	730	420	420	70	80
	Inch	35	35	28.7	28.7	16.5	16.5	2.8	3.1
<b>Skylight Size C</b> SKU-0905	mm	1300	1150	1200	1050	600	600	70	90
	Inch	51.2	45.3	47.2	41.3	23.6	23.6	2.8	3.1

Note - All dimensions are subject to a +/- 5mm tolerance due to the manufacturing process

## Dampener

Part Number - **SKU-1119**



### Features

- Material - Stainless Steel

### Remarks

- Sold Individually

## Dampener Fitting Kit

Part Number - **SKU- 1121**



### Features

- All the component to repair/replace dampener.

### Remarks

- Sold Individually
- Only available as a replacement item

## Handle Keep Replacement

Part Number - **SKU- 1123**



### Features

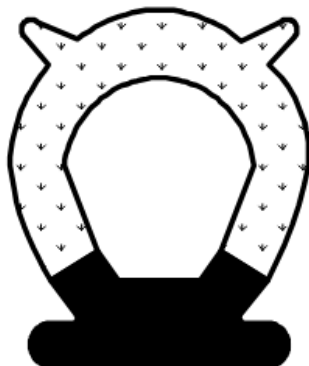
- Material - Black Copolymer
- Black Anodised

### Remarks

- Sold Individually
- Only available as a replacement item

## Seal

Part Number - **SKU- 1009**



### Features

- Adhesive Backed
- Neoprene bulb Seal

### Remarks

- Suitable for Expedition, Van and Monsoon frames
- Sold by the Metre







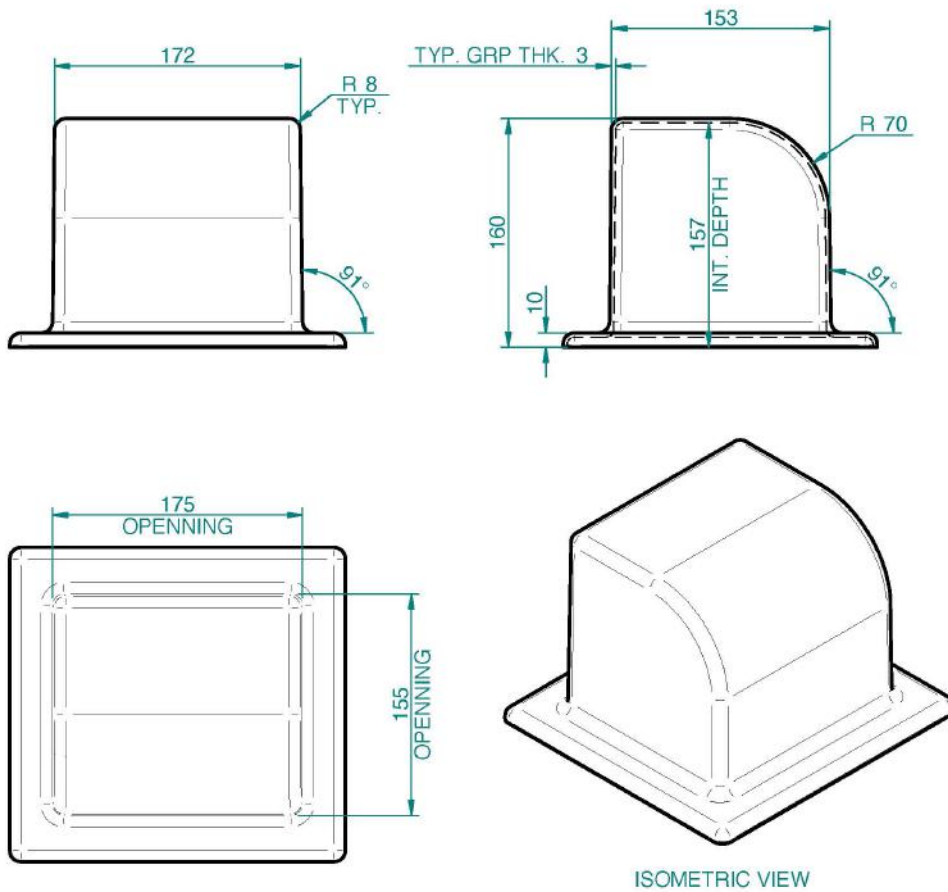
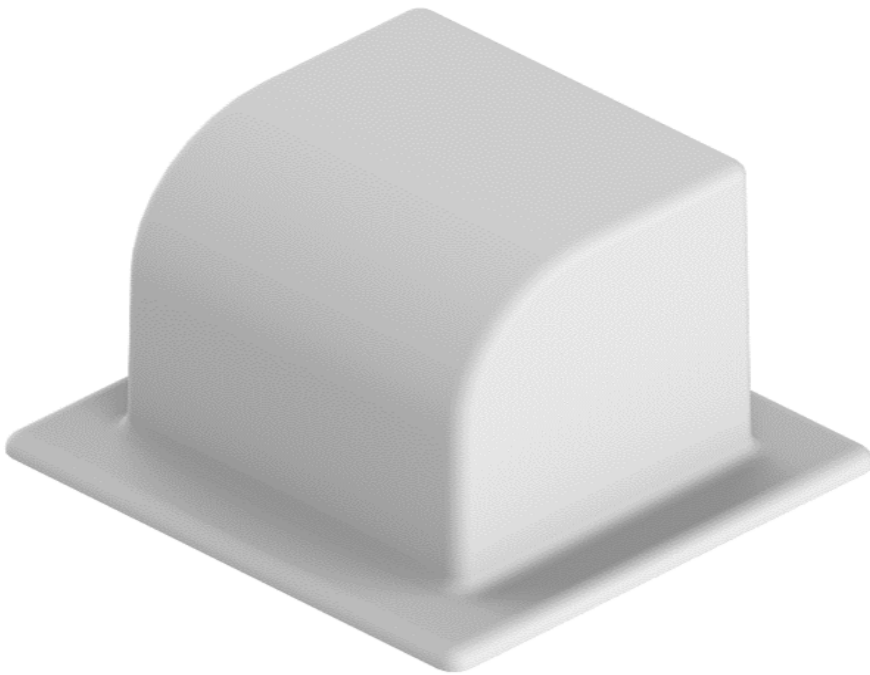
**GRP PRODUCTS**

## Features

- Robust GRP
- Reinforced
- Can be bonded or screwed

## Remarks

- Supplied in White, Coloured available on request



Note - All dimensions are subject to a +/- 5mm tolerance due to the manufacturing process

# Square camera Housing

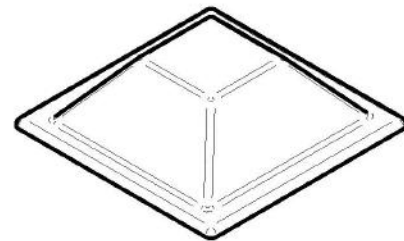
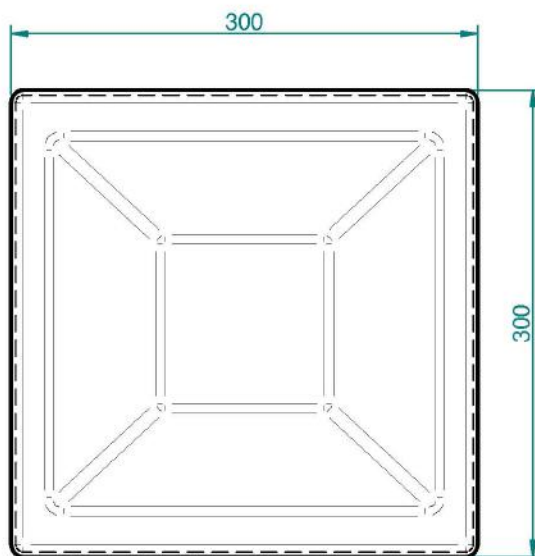
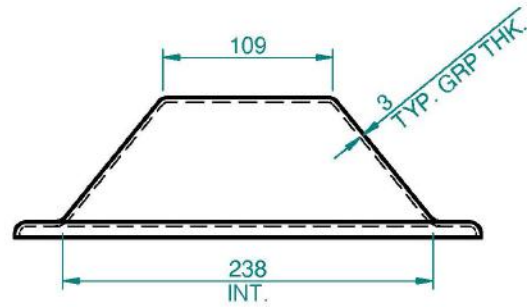
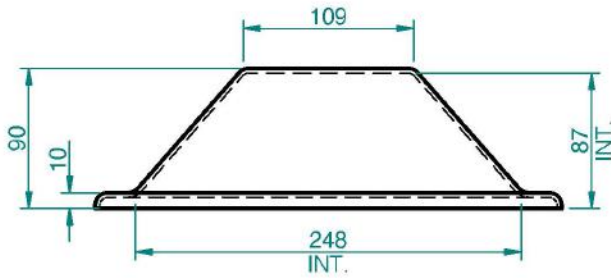
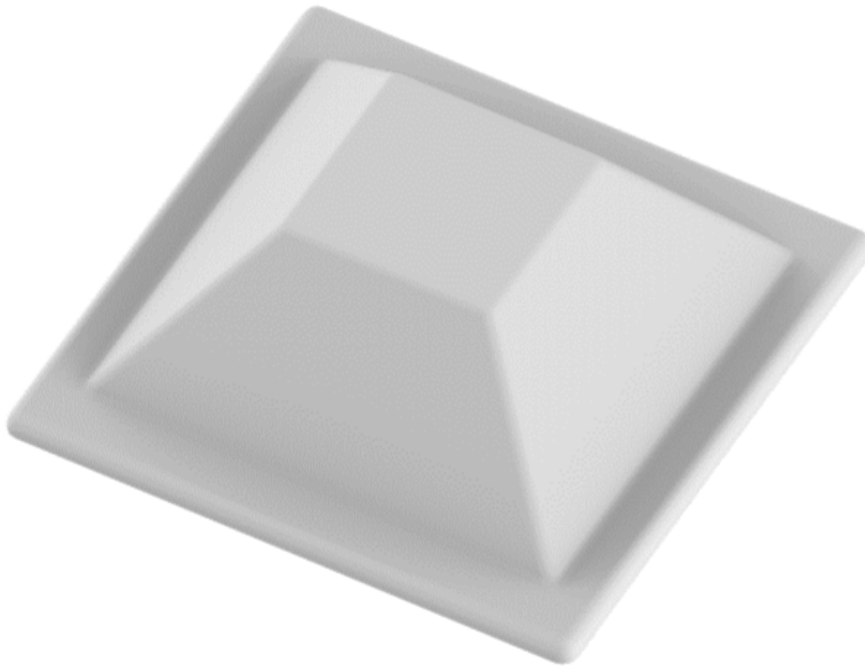
Part Number - **SKU-0116**

## Features

- Robust GRP
- Reinforced
- Can be bonded or screwed

## Remarks

- Supplied in White, Coloured available on request



ISOMETRIC VIEW

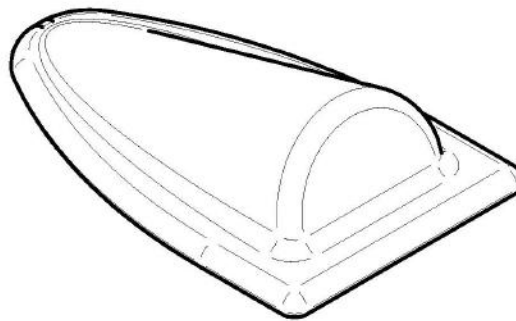
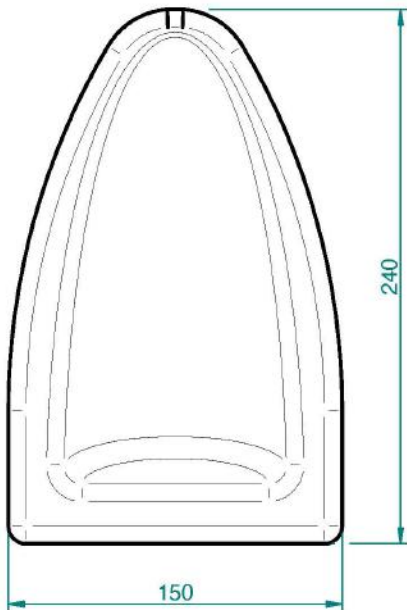
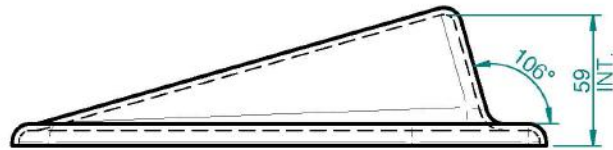
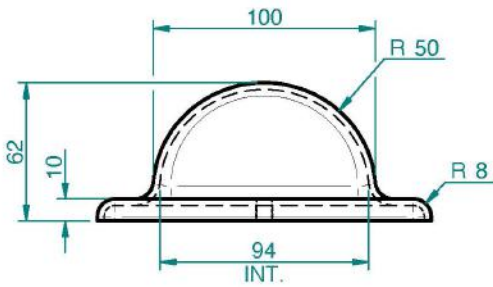
Note - All dimensions are subject to a +/- 5mm tolerance due to the manufacturing process

## Features

- Robust GRP
- Reinforced
- Can be bonded or screwed

## Remarks

- Supplied in White, Coloured available on request



ISOMETRIC VIEW

Note - All dimensions are subject to a +/- 5mm tolerance due to the manufacturing process

# Low profile Vent Cover

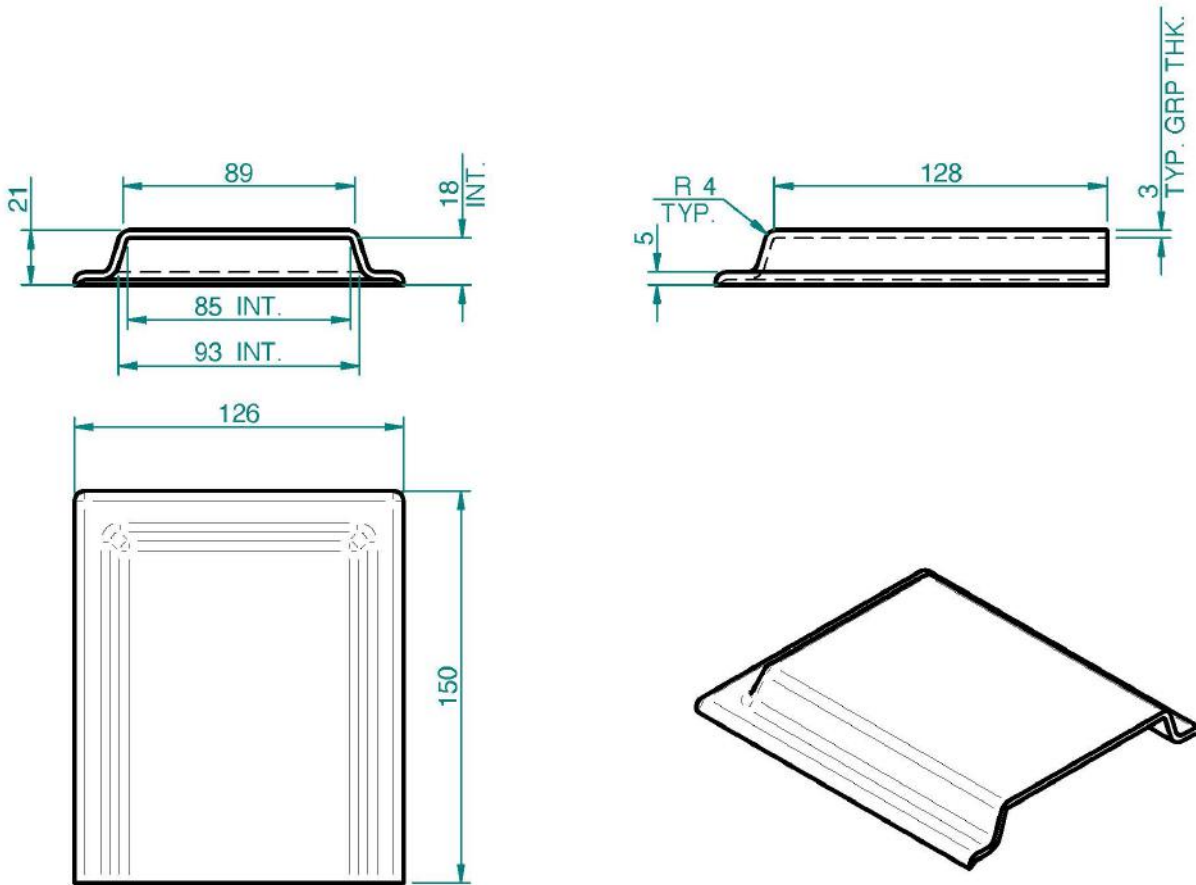
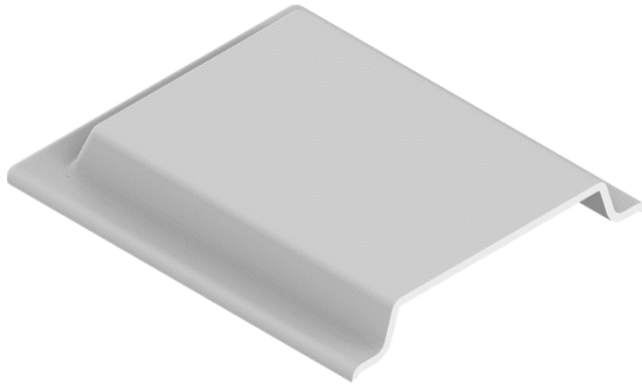
Part Number - **SKU-0536**

## Features

- Robust GRP
- Reinforced
- Can be bonded or screwed

## Remarks

- Supplied in White, Coloured available on request



ISOMETRIC VIEW

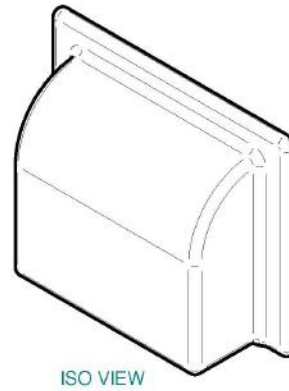
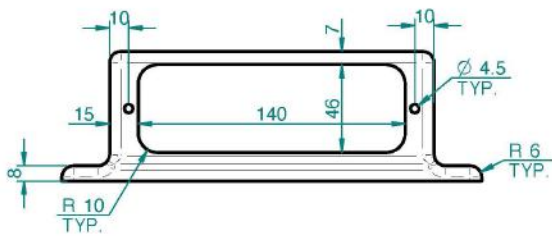
Note - All dimensions are subject to a +/- 5mm tolerance due to the manufacturing process

## Features

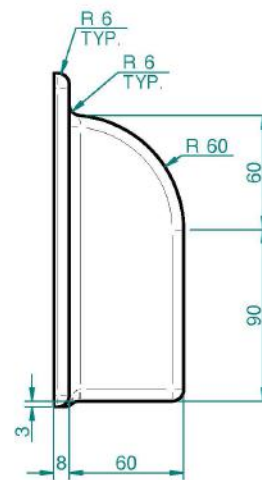
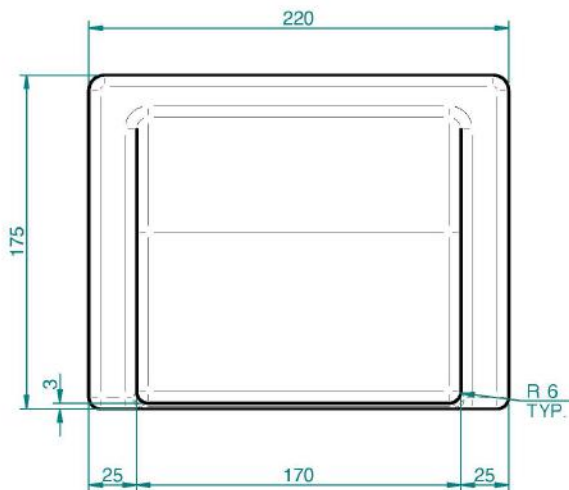
- Robust GRP
- Reinforced
- Can be bonded or screwed

## Remarks

- Supplied in White, Coloured available on request



ISO VIEW



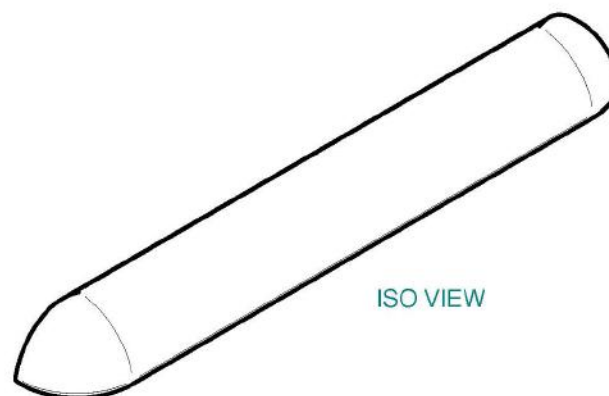
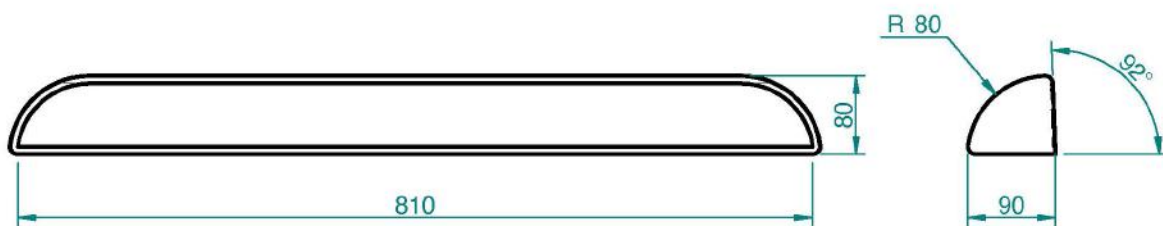
Note - All dimensions are subject to a +/- 5mm tolerance due to the manufacturing process

## Features

- Robust GRP
- Reinforced
- Can be bonded or screwed

## Remarks

- Supplied in White, Coloured available on request



ISO VIEW

Note - All dimensions are subject to a +/- 5mm tolerance due to the manufacturing process

# Horizontal Water Fill Point

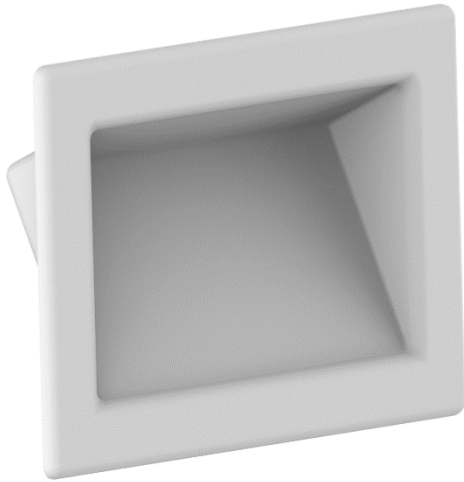
Part Number - **See Table**

## Features

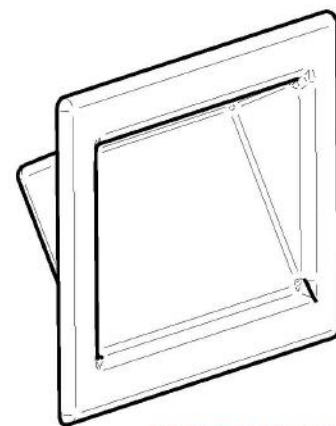
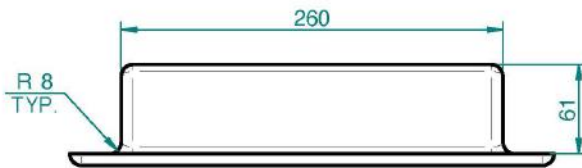
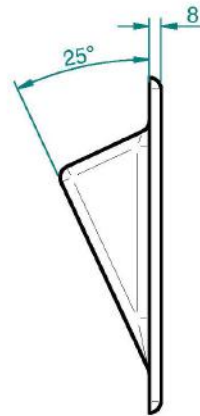
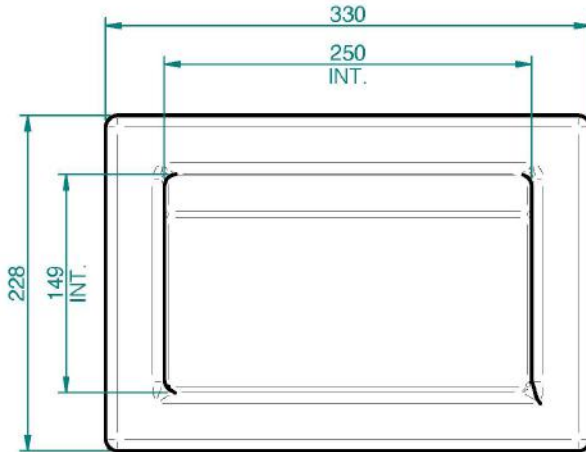
- Robust GRP
- Reinforced
- Can be bonded or screwed
- Populated version includes Stainless Steel Filling point and breather

## Remarks

- Supplied in White, Coloured available on request



Part Numbers	
<b>Populated</b>	SKU-0825
<b>Unpopulated</b>	SKU-0803



ISOMETRIC VIEW

Note - All dimensions are subject to a +/- 5mm tolerance due to the manufacturing process



# Vertical Water Fill Point

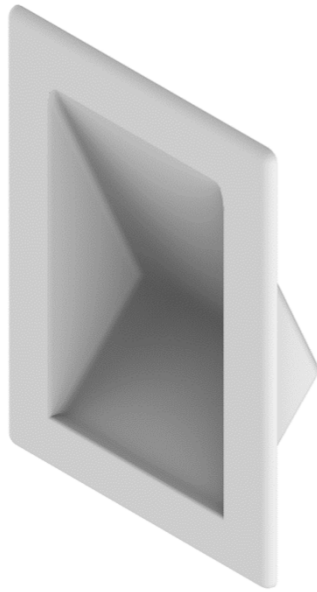
Part Number - **See Table**

## Features

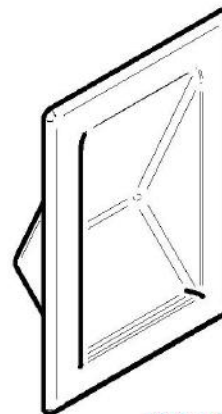
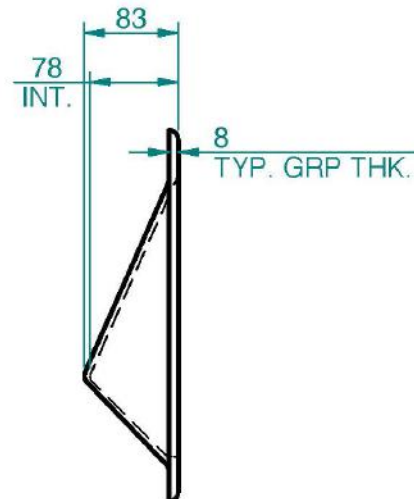
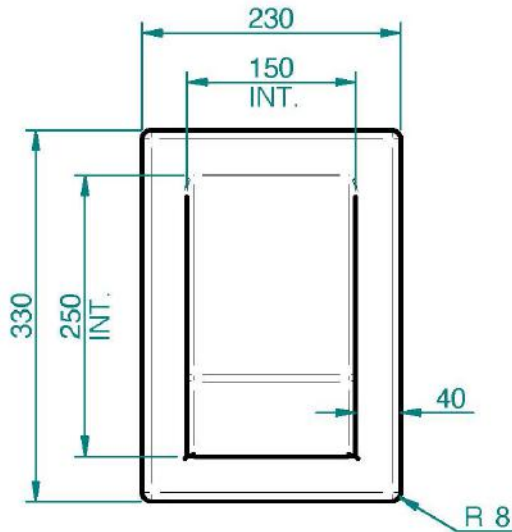
- Robust GRP
- Reinforced
- Can be bonded or screwed
- Populated version includes Stainless Steel Filling point and breather

## Remarks

- Supplied in White, Coloured available on request



Part Numbers	
Populated	SKU-0828
Unpopulated	SKU-0827



ISO VIEW

Note - All dimensions are subject to a +/- 5mm tolerance due to the manufacturing process

# Tapered Sink

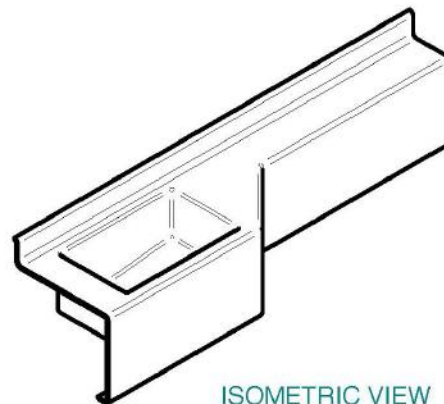
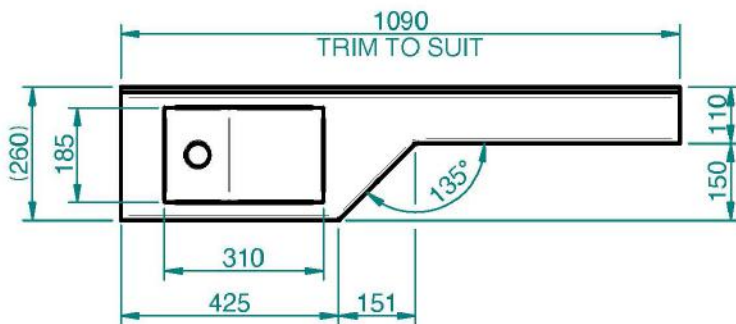
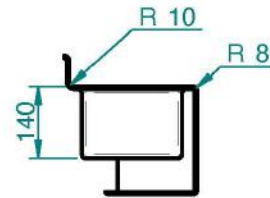
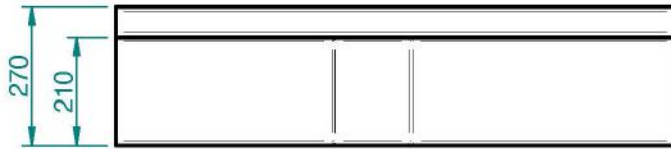
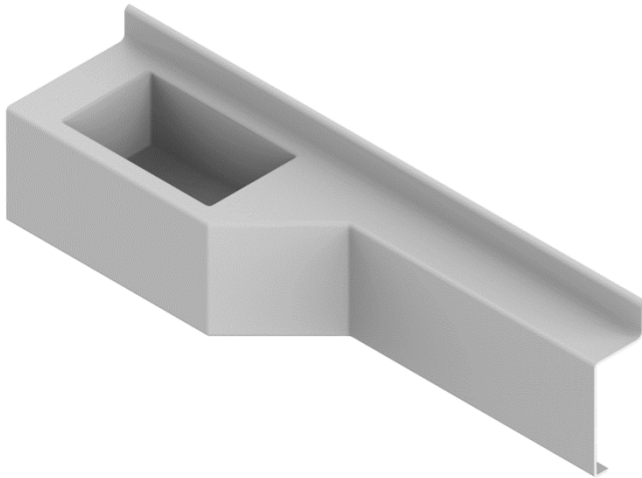
Part Number - **SKU-0228**

## Features

- Robust GRP
- Reinforced
- Can be bonded or screwed

## Remarks

- Supplied in White, Coloured available on request
- Plumbing not included



ISOMETRIC VIEW

Note - All dimensions are subject to a +/- 5mm tolerance due to the manufacturing process

# Compact Sink

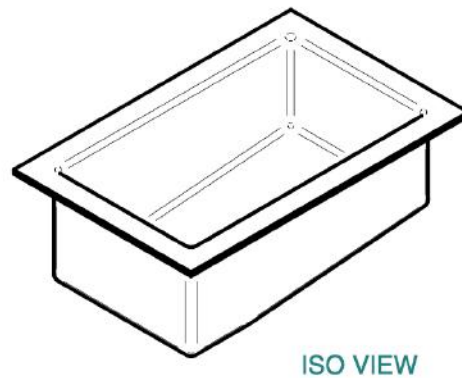
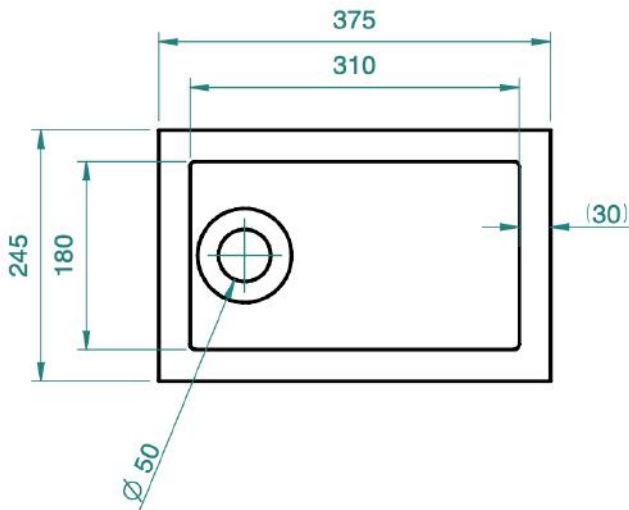
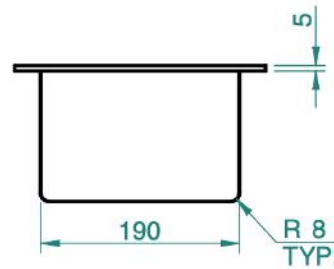
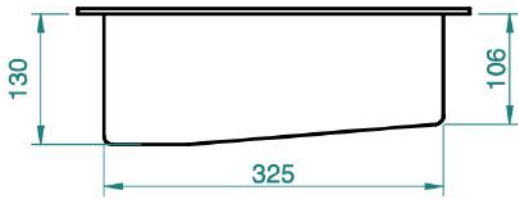
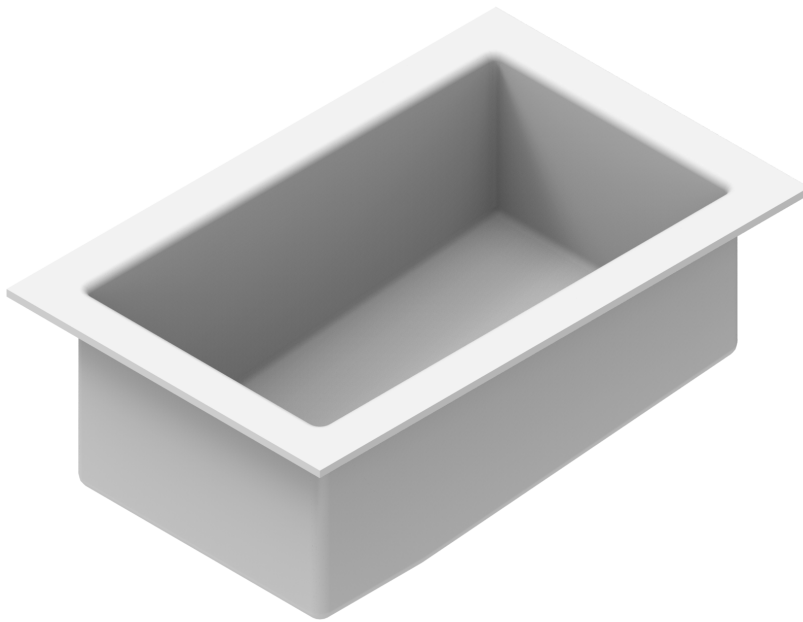
Part Number - **SKU-1108**

## Features

- Robust GRP
- Reinforced
- Can be bonded or screwed

## Remarks

- Supplied in White, Coloured available on request
- Plumbing not included



Note - All dimensions are subject to a +/- 5mm tolerance due to the manufacturing process

# Panel Filtered Vent

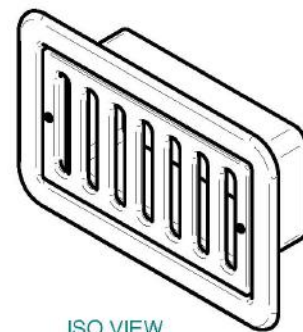
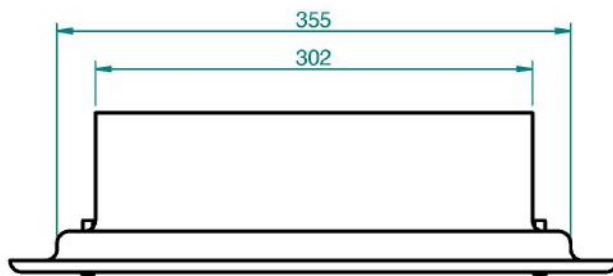
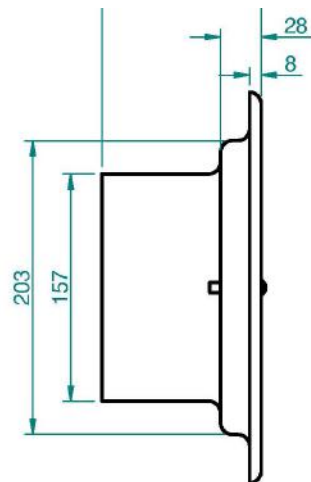
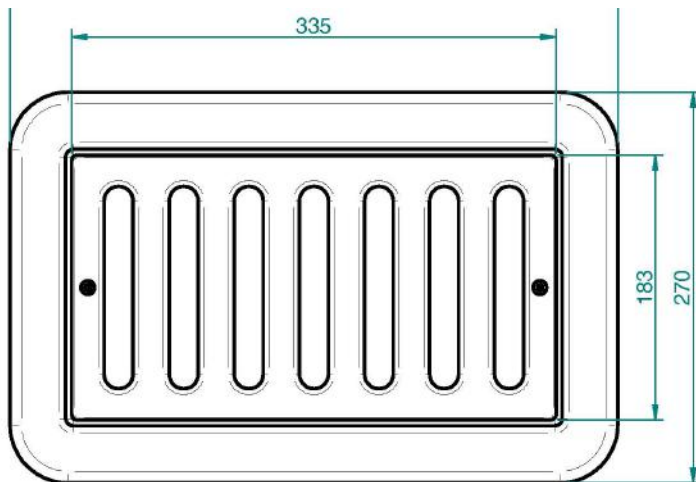
Part Number - **SKU-0538**

## Features

- Robust GRP
- Reinforced
- Can be bonded or screwed
- Includes filter medium

## Remarks

- Supplied in White, Coloured available on request



ISO VIEW

Note - All dimensions are subject to a +/- 5mm tolerance due to the manufacturing process

# Solar Panel Protector

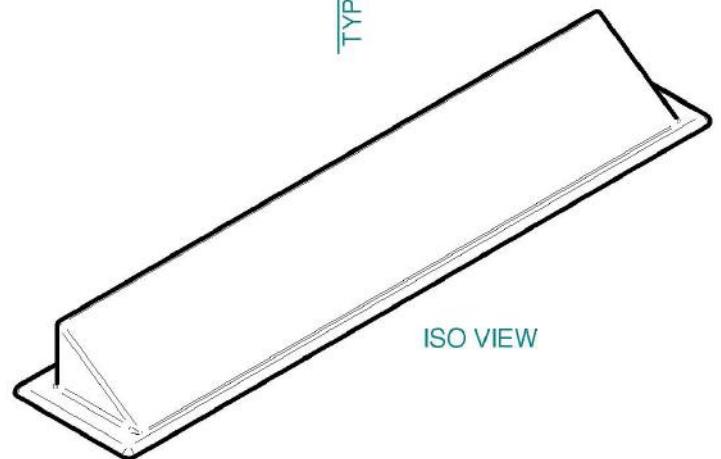
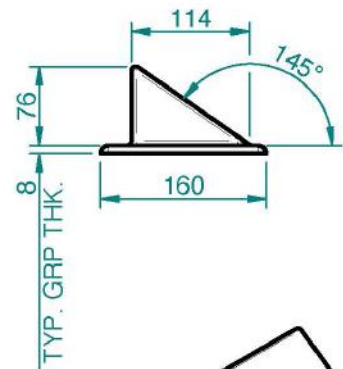
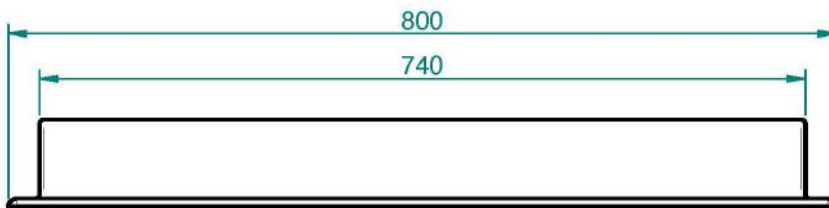
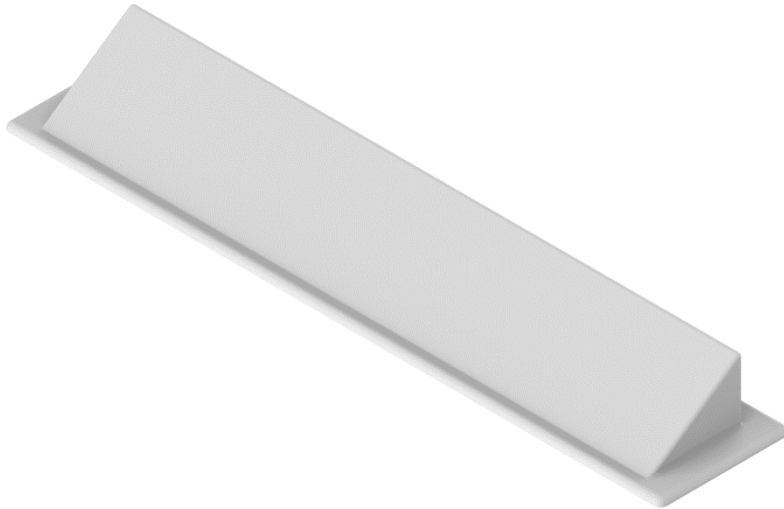
Part Number - **SKU-1044**

## Features

- Robust GRP
- Reinforced
- Can be bonded or screwed

## Remarks

- Supplied in White, Coloured available on request



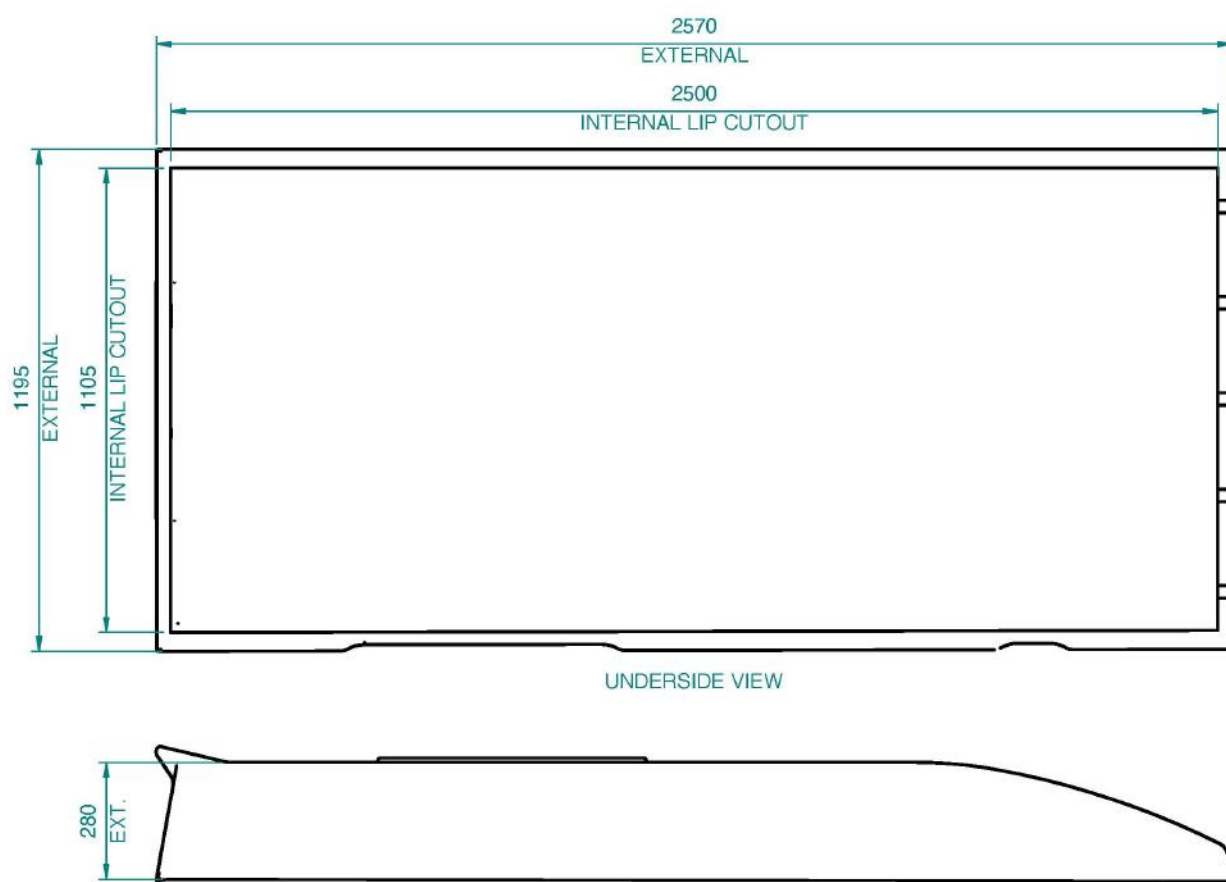
Note - All dimensions are subject to a +/- 5mm tolerance due to the manufacturing process

## Features

Fits 2005 to 2024 Mercedes Sprinter and 2004 - 2016 Crafter Vans

## Remarks

- Supplied in white, Coloured on request



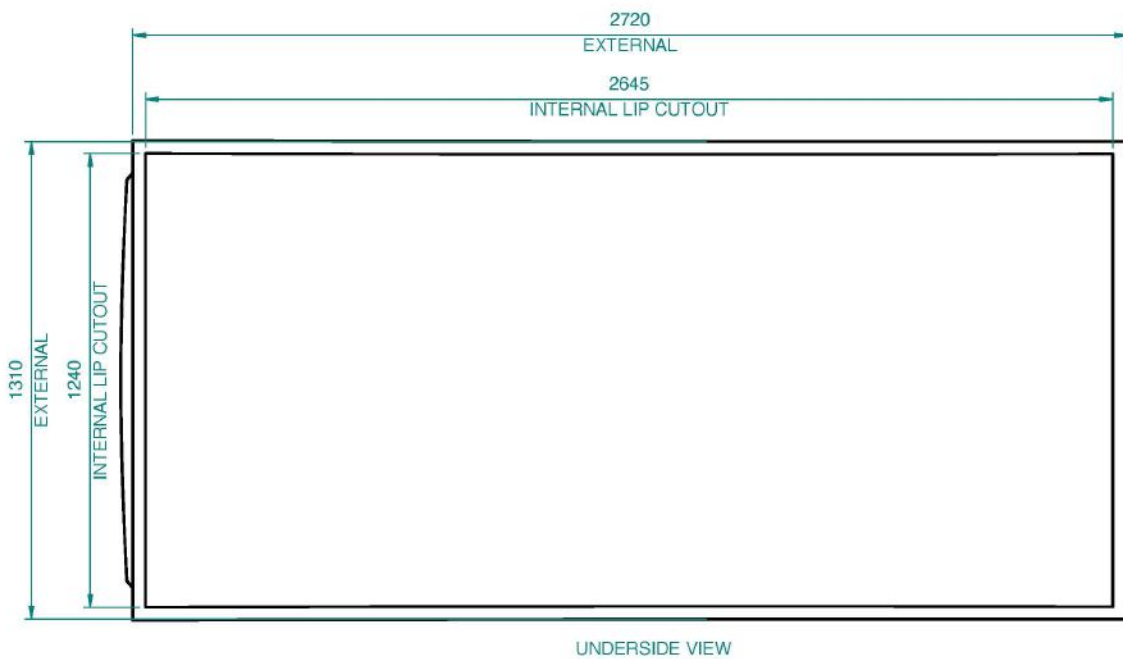
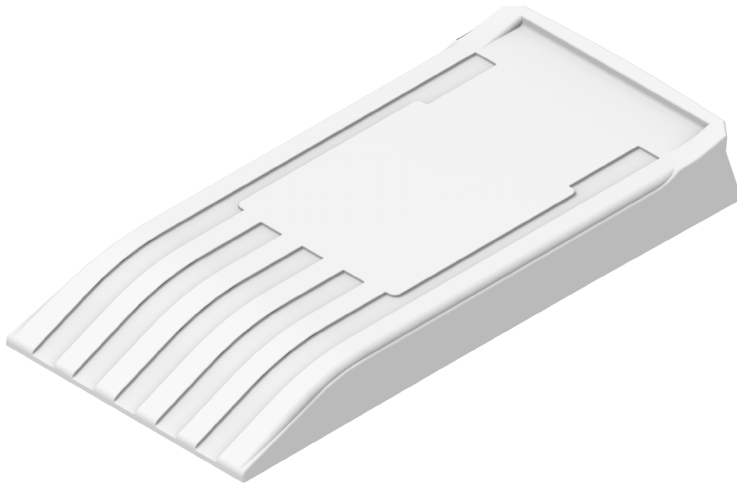
Note - All dimensions are subject to a +/- 5mm tolerance due to the manufacturing process

## Features

Fits MAN TGE and VW Crafter from 2017 onwards

## Remarks

- Supplied in white, Coloured on request



Note - All dimensions are subject to a +/- 5mm tolerance due to the manufacturing process







**FABRICATED PRODUCTS**

## MAN HX60 Door Pockets

Part Number - **SKU-0119**



### Features

- Material - Mild Steel
- Zinc Plated

### Remarks

- Sold As a pair

## MAN HX60 Bumper Blanks

Part Number - **SKU- 0115**



### Features

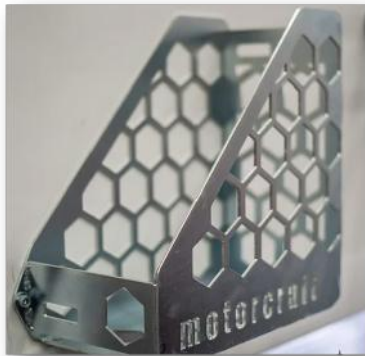
- Material - Mild Steel
- Zinc Plated

### Remarks

- Sold As a pair

## Jerry Can Holder

Part Number - **SKU- 0128**



### Features

- Material - Mild Steel
- Zinc Plated

### Remarks

- Sold individually

## MAN HX60 Rear Winch Mount

Part Number - **SKU -1107**



### Features

- Material - Mild Steel
- Zinc Plated
- Self Assembly required

### Remarks

- Winch Not included
- Recommended winch -  
Sherpa Stallion

## MAN HX60 Roof Rack

Part Number - **SKU-0140**



### Features

- Material - Mild Steel
- Zinc Plated
- Composite Roof Boards
- Available with trap door

### Remarks

- Self Assembly required

## MAN HX60 Roof Basket

Part Number - **SKU- 0121**



### Features

- Material - Mild Steel
- Zinc Plated
- Composite Roof Boards

### Remarks

- Self Assembly required

## Rail on Rail Subframe

Part Number - **SKU- 0874**



### Features

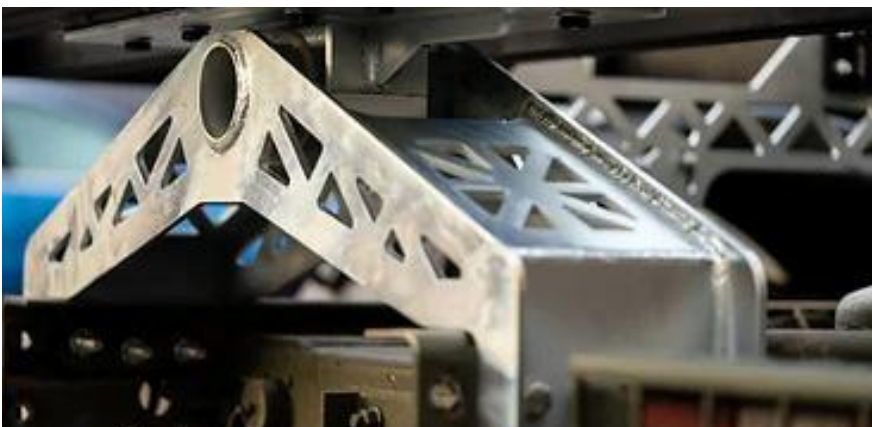
- Material - Mild Steel
- Galvanised plated

### Remarks

- Designed to suit your vehicle

## Four Point torsion free Subframe

Part Number - **SKU -0981**



### Features

- Material - Mild Steel
- Galvanised plated
- Polymer bushes

### Remarks

- Designed to suit your vehicle



# Central Tyre Inflation System

Part Number - **SKU-0618**

Off-road driving presents unique challenges and requires specialised vehicle setup to ensure safety, performance, and vehicle longevity. One of the most critical aspects of off-road preparation is managing tyre pressure. Proper tyre pressure is crucial when navigating rough terrain, and understanding how to adjust it can significantly enhance your off-road experience.

## Advantages of Airing Down Tyres

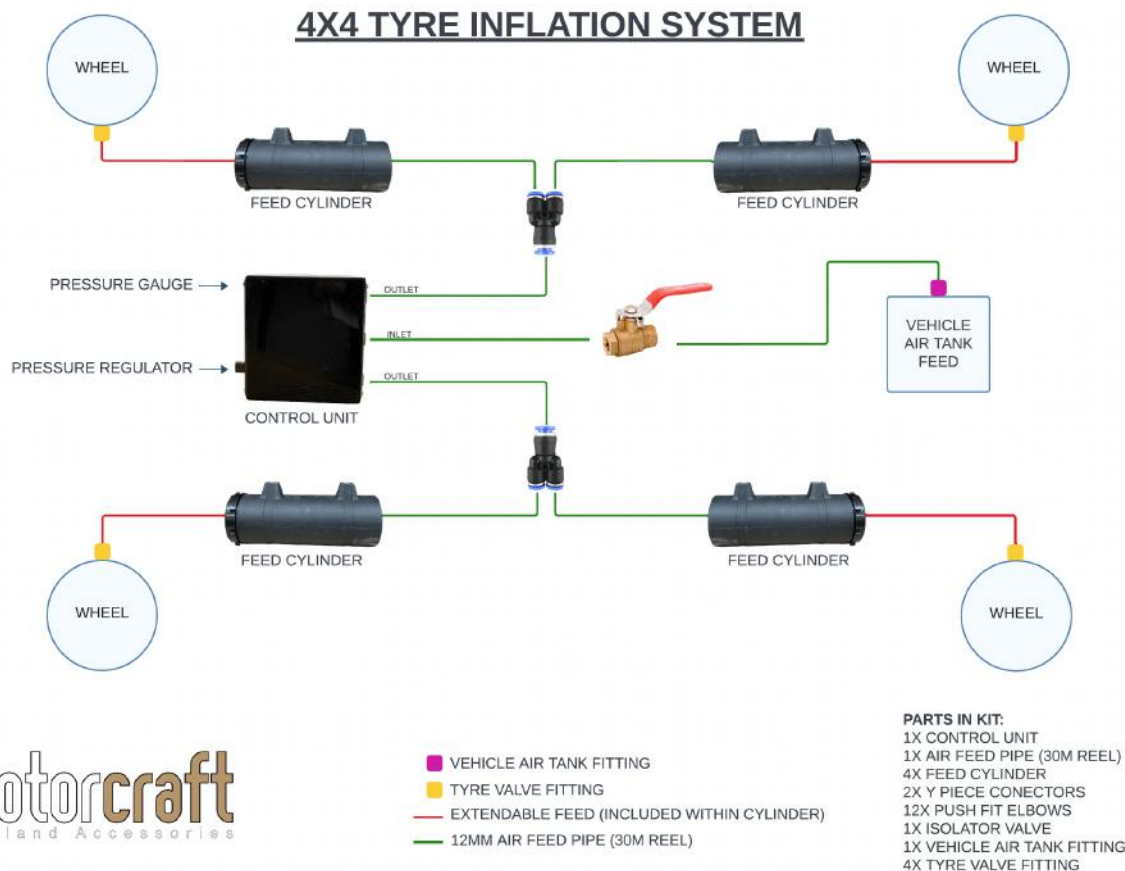
Airing down, or reducing tyre pressure, is a common practice among off-road enthusiasts for several reasons:

- **Improved Traction:** Lowering tyre pressure increases the contact patch of the tyre with the ground, which enhances traction. This is especially beneficial on loose surfaces such as sand, mud, or gravel where increased grip can prevent the vehicle from getting stuck.
- **Better Shock Absorption:** Reduced tyre pressure allows tyres to flex more easily over obstacles like rocks and roots, providing a smoother ride. This not only improves comfort for the passengers but also reduces the strain on the vehicle's suspension and chassis.
- **Reduced Risk of Tyre Damage:** Softer tyres are less likely to puncture or suffer from side-wall damage when encountering sharp objects. This is because the tyres can deform and wrap around obstacles rather than being punctured by them.
- **Enhanced Floatation:** On surfaces like sand or snow, aired-down tyres spread the vehicle's weight over a larger area, reducing the likelihood of sinking and becoming bogged down.

## Central Tyre Inflation System (CTIS)

A Central Tyre Inflation System (CTIS) offers a significant advantage in managing tyre pressures dynamically. This system allows drivers to adjust tyre pressures simultaneously and safely :

- **Convenience and Efficiency:** With CTIS, drivers can quickly and easily adjust tyre pressures to suit different terrains without having to stop and manually inflate or deflate tyres. This saves time and effort, particularly useful during long off-road journeys.
- **Optimised Performance:** CTIS enables efficient tyre pressure adjustments to optimise performance across various terrains. For example, higher pressures can be set for hard, rocky surfaces, and lower pressures for soft, sandy trails, ensuring the vehicle is always operating at peak efficiency.
- **Improved Safety:** Maintaining optimal tyre pressure is crucial for vehicle stability and handling. CTIS helps ensure tyres are always at the right pressure, reducing the risk of accidents caused by under- or over-inflated tyres.
- **Extended Tyre Life:** Properly inflated tyres wear more evenly and are less prone to damage. CTIS helps in maintaining the right pressure consistently, which can extend the lifespan of tyres and reduce overall maintenance costs.
- **Enhanced Mobility:** CTIS can improve a vehicle's mobility in extreme conditions. For instance, in scenarios where quick adaptation to rapidly changing terrain is necessary, the ability to adjust tyre pressures on-the-fly can be a game-changer.



**Motorcraft**  
Overland Accessories

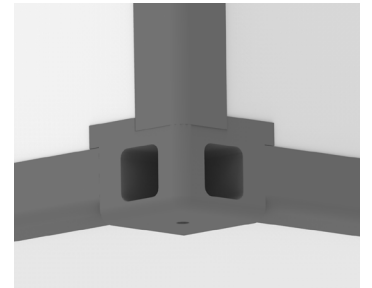
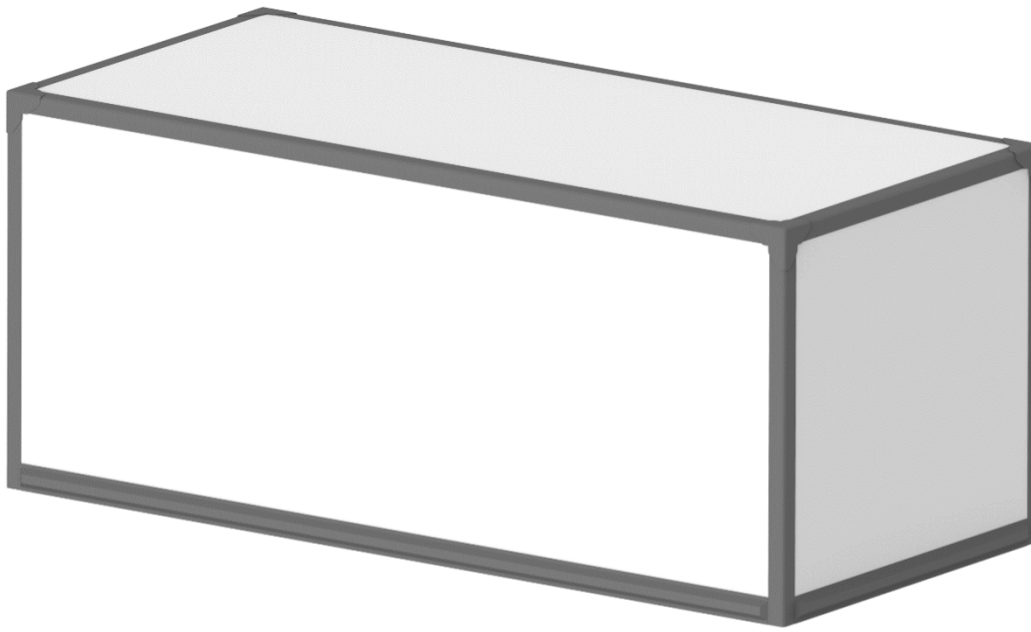




# HABITATION BODIES

## Demountable habitation Body

Part Number - **SKU-1132**



### Features

- Composite Body
- Integrated subframe
- Aluminium structural corner members

### Remarks

- Designed to suit your requirements

## Tapered habitation Body

Part Number - **SKU-1103**



### Features

- Composite Body
- Integrated subframe
- Aluminium structural corner members

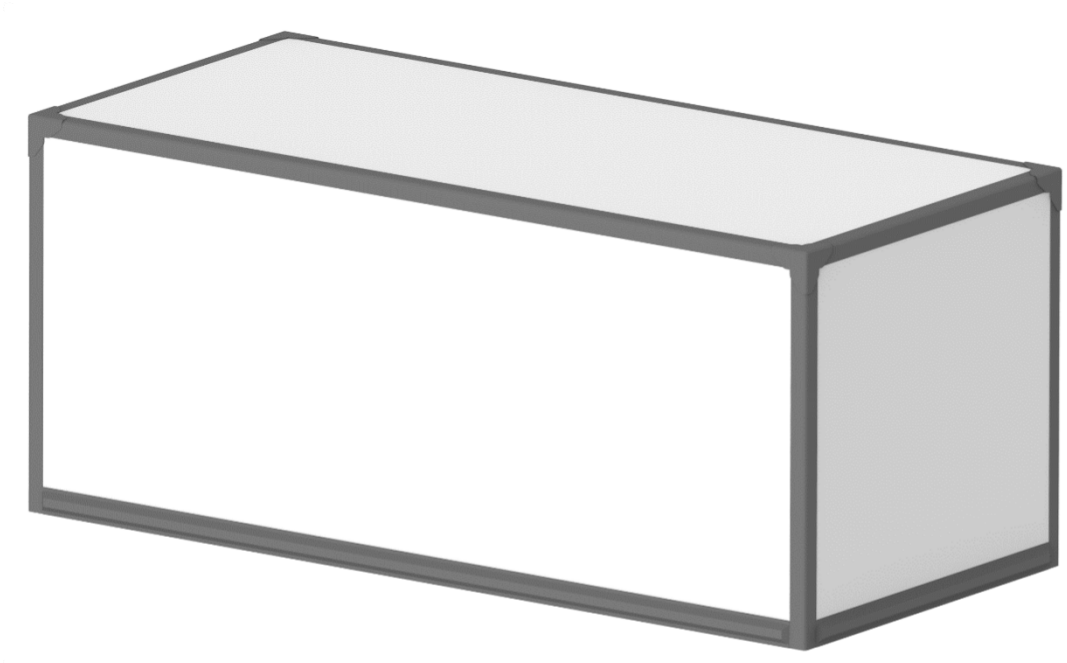
### Remarks

- Designed to suit your requirements



## Square habitation Body

Part Number - **SKU-1104**



### Features

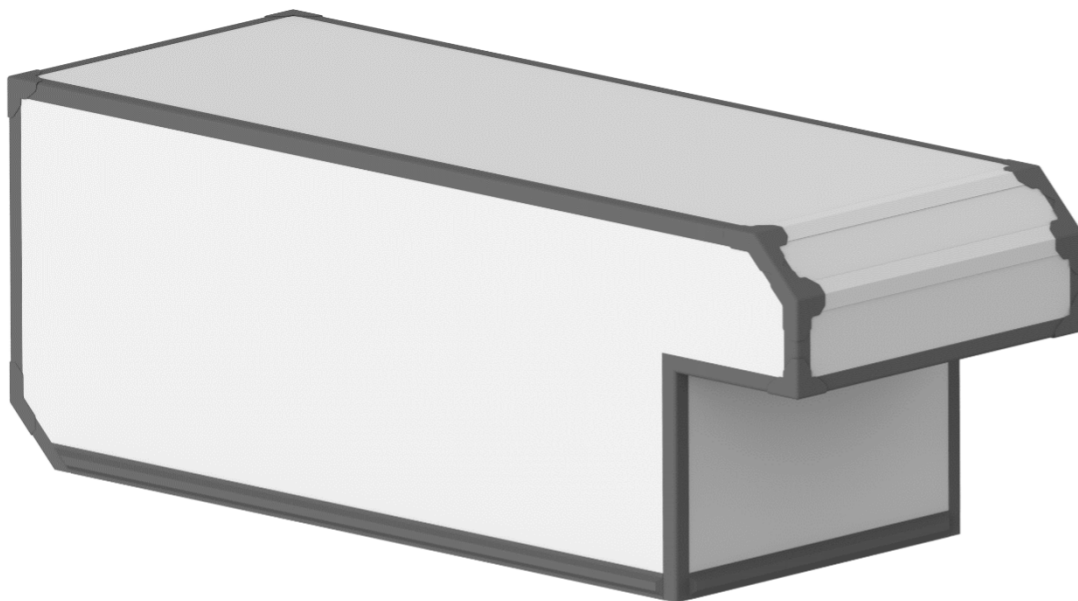
- Composite Body
- Integrated subframe
- Aluminium structural corner members

### Remarks

- Designed to suit your requirements

## Alcove habitation Body

Part Number - **SKU-1105**



### Features

- Composite Body
- Integrated subframe
- Aluminium structural corner members

### Remarks

- Designed to suit your requirements







Email - [Contact@motorcraftoa.com](mailto:Contact@motorcraftoa.com)

Telephone - +44 (0)1302 337842

Unit A4a Harworth Industrial Estate  
Lords Wood Road  
Harworth, Doncaster  
Nottinghamshire  
DN11 8BZ