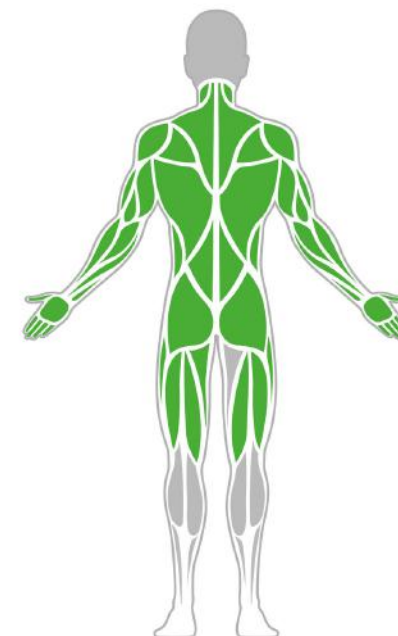
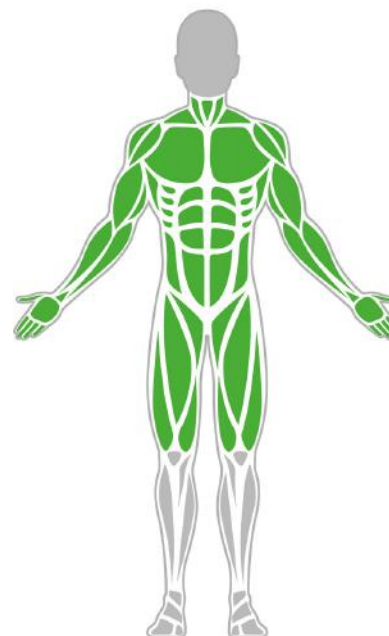


Muscle Groups Focus



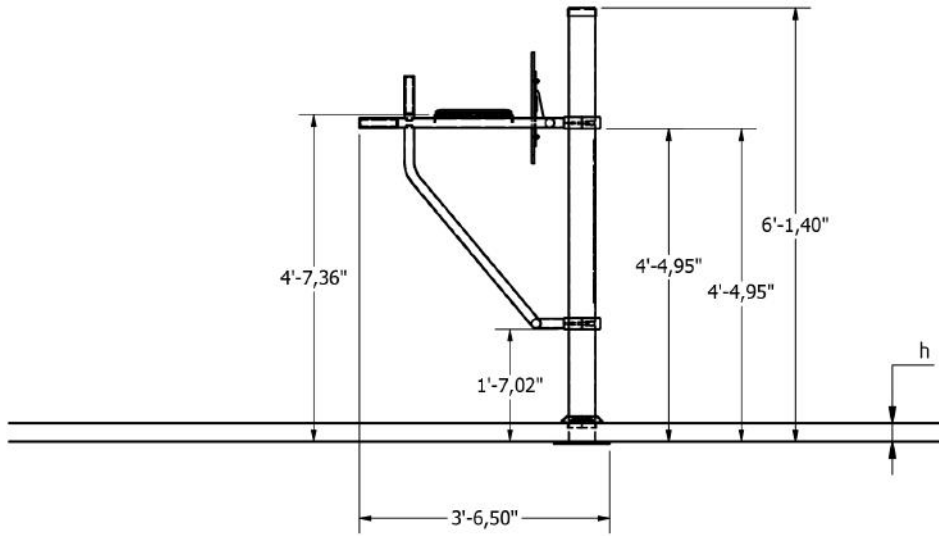
Multifunctional Trainer On Pillar

The multifunctional trainer is a versatile piece of workout equipment that allows for leg raises, knee raises, and dips with the front handles of the element. This versatility makes this element the perfect choice for those people who are looking for complex outdoor training equipment for the home. Two multifunctional trainers may be combined on one column.

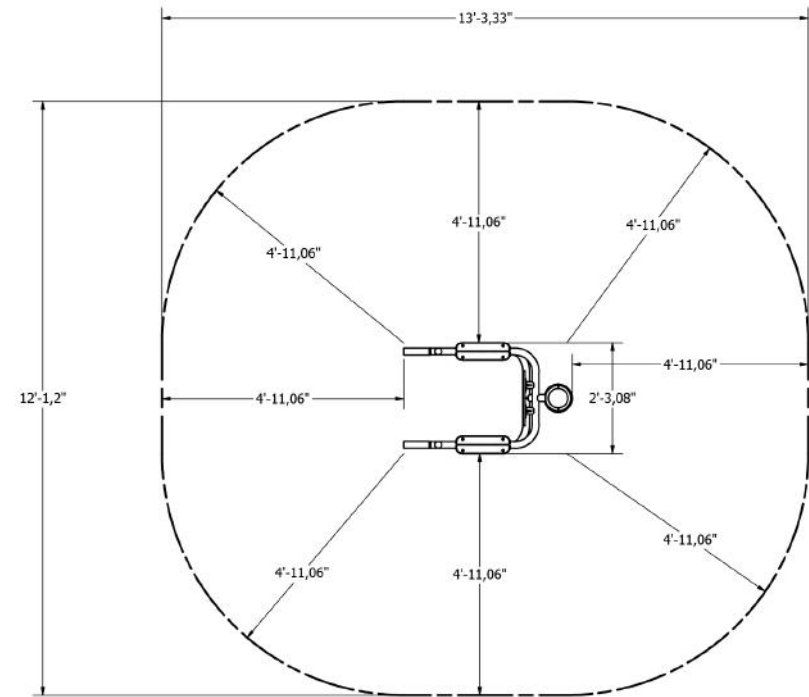
Attributes

Product code	1-1-126-02
Certificate	EN 16630, ASTM F3101
Age group	14 + years
Capacity	1 person
Max. weight load	218.26 lbs
Type	Fitness
Difficulty level	Medium

Side View



Plan View



Installation information

Number of installers (concrete)	At least 2 people
Total installation time (concrete)	45-90 min.
Number of installers (equipment)	At least 2 people
Total installation time (equipment)	45-60 min.
Excavation volume	17,66 ft ³
Concrete volume	17,66 ft ³
Size of the base structure	31.5 x 47.24 x 31.5 „
Anchoring options	In-ground or surface
In combined structures, the volume of concrete required varies.	

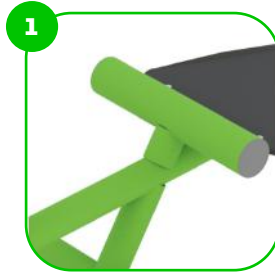
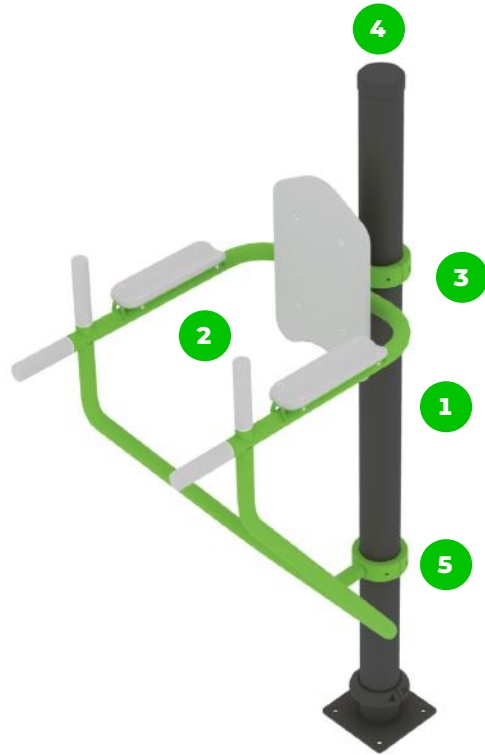
Technical specification

Safety surface area	Around 4.92 ft radius
Net weight	63.93 lbs
Material	S235
Critic fall height	54.33"
Color options	
For more color options, discuss with your sales representative.	

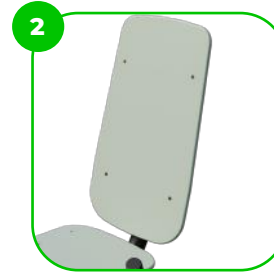
Warranty

Structure	25 years
Steel	15 years
Paint	2 years
Plastic	5-10 years
Rubber	1-3 years
Moving parts	2 years
Detailed information in the warranty document	

Material specification



The element is made of high quality S235 steel, which has been cleaned via sandblasting. A corrosion resistant powder coating finish is then applied. Also available with galvanized surface for even greater protection and longevity!



The seats and backrests are made of strong HDPE material. Which is fully heat, moisture and UV resistant.



The connecting elements are fastened with vandal-proof stainless steel screws and nuts.



The ends of the bars and posts are sealed with injection-moulded plastic caps.



The clamp system allows for easy assembly and extreme stability.

BESTRONG

 [bestrongworld](https://www.facebook.com/bestrongworld)  [bestrongworld](https://www.instagram.com/bestrongworld)  [usa.bestrong.com](https://www.usa.bestrong.com)  usa@bestrong.com

