

# Urban Greening Add-Ons & Extras

Rain Gardens, Pocket parks,  
Nature Gardens and Landscaping

April 2026

**MERISTEM**

DESIGN

*Turning the grey green®*

# Bug Hotels



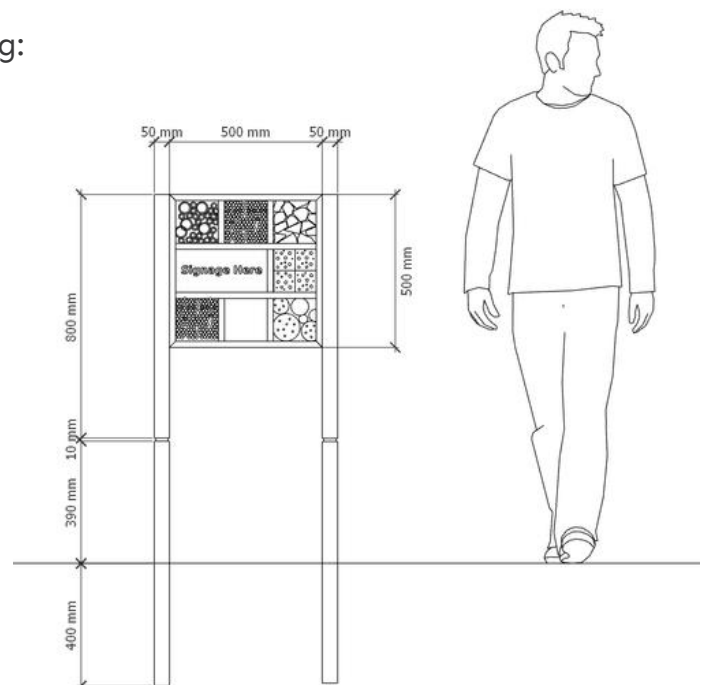
Bug hotel mounted on two timber posts with a range of habitat elements including:

- Crushed stone and tiles (Slugs, Worms and Frogs)
- Reeds for various insects.
- Perforated solid hardwood (Stag beetles and other bugs)
- Bamboo (Beetles, Spiders, Woodlice and Centipedes)
- Bark (Beetles, Spiders, Woodlice and Centipedes)

Opportunity for branding/signage customisation.

Construction:

- Handcrafted 20mm x timber frame.
- 50mm x 100mm treated softwood timber posts.



# Bird Boxes



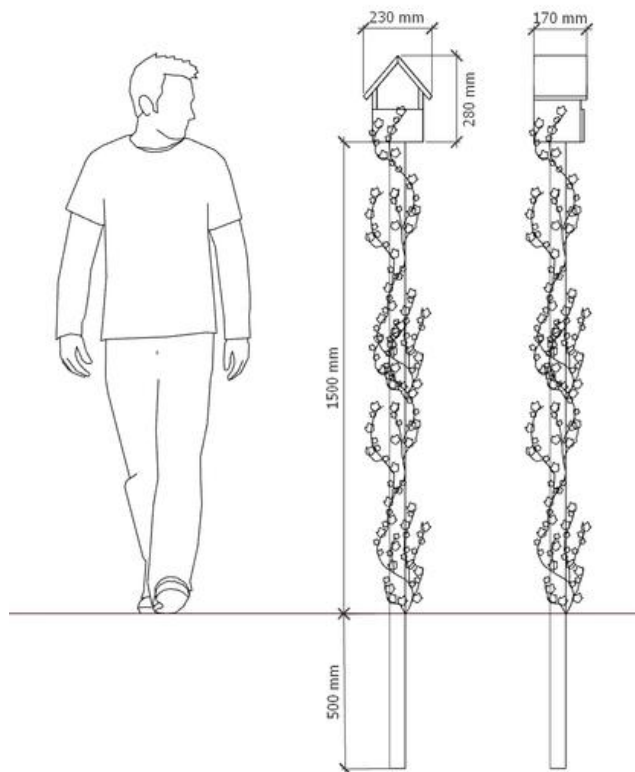
Bird boxes provide nesting space and shelter from predators for a range of local birds.

Our large opening box is designed for Robins, Wrens, Pied Wagtails and Spotted Flycatchers. To provide extra shelter and a more natural look we wind ivy up the support and around the entrance of the box.

Our small opening box is designed for Great Tits, Tree Sparrows, Pied Flycatchers, House Sparrows, and Lesser Spotted Woodpeckers. This box should be mounted higher up on an existing tree or wall.

Construction:

- Handcrafted 20mm x timber frame.
- Painted timber roof to divert rainwater from opening.
- Sliding panel to access inside the box.



# Timber Habi-Stack



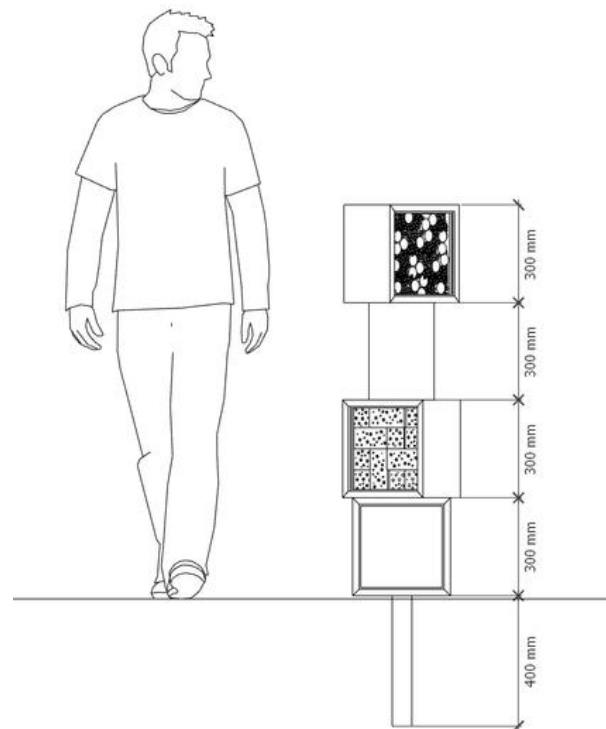
Timber habitat cubes stacked and filled with a range of habitat elements including:

- Crushed stone and tiles (Slugs, Worms and Frogs)
- Reeds for various insects.
- Perforated solid hardwood (Stag beetles and other bugs)
- Bamboo (Beetles, Spiders, Woodlice and Centipedes)
- Bark (Beetles, Spiders, Woodlice and Centipedes)

Customisable orientations and quantities available.

Construction:

- Handcrafted 20mm x timber frames.
- Secure fixings between each cube.
- Secure ground anchoring system.



To find out more email [enquiries@meristemdesign.co.uk](mailto:enquiries@meristemdesign.co.uk)

Turning the grey green®

# Weathering Steel Habi-Stack



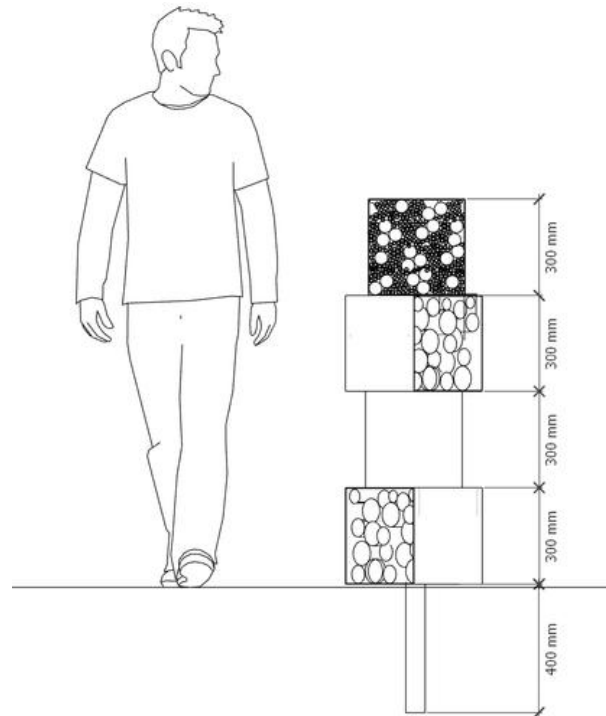
Weathering steel habitat cubes stacked and filled with a range of habitat elements including:

- Crushed stone and tiles (Slugs, Worms and Frogs)
- Reeds for various insects.
- Perforated solid hardwood (Stag beetles and other bugs)
- Bamboo (Beetles, Spiders, Woodlice and Centipedes)
- Bark (Beetles, Spiders, Woodlice and Centipedes)

Customisable orientations and quantities available.

Construction:

- 3mm weathering steel cubes.
- Secure fixings between each cube.
- Secure ground anchoring system.



To find out more email [enquiries@meristemdesign.co.uk](mailto:enquiries@meristemdesign.co.uk)

Turning the grey green®

# Gabion Benches



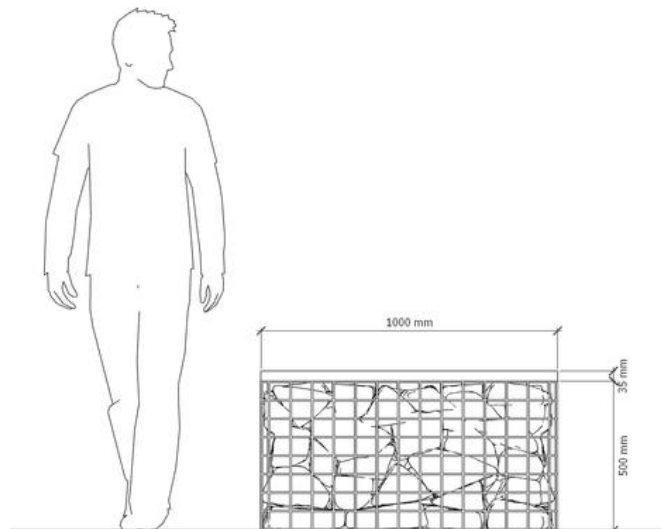
Gabion baskets provide structural habitat for solitary bees, beetles and other beneficial bugs.

They also promote plant growth within the gaps of the stones which we can further assist by adding extra substrate within.

Within rain gardens the structure of the gabions help prevent erosion of the soil and work well as barriers for road traffic.

## Construction:

- 4mm Galvanised steel mesh basket.
- Rocks
- 30mm x 45mm sapele hardwood timber benchtop.
- 150mm crushed aggregate sub base.



# Elevated Tree Pits



When a rain garden cannot be excavated deep enough to support a tree we provide an option to raise the substrate level within an elevated weathering steel planter.

A range of sizes are available depending on the size of the tree and garden.

Depending on the tree size there is opportunity for additional planting within.

Construction:

- 3mm weathering steel planter ring.
- Tree anchoring system.



To find out more email [enquiries@meristemdesign.co.uk](mailto:enquiries@meristemdesign.co.uk)

Turning the grey green®

# Bee Posts



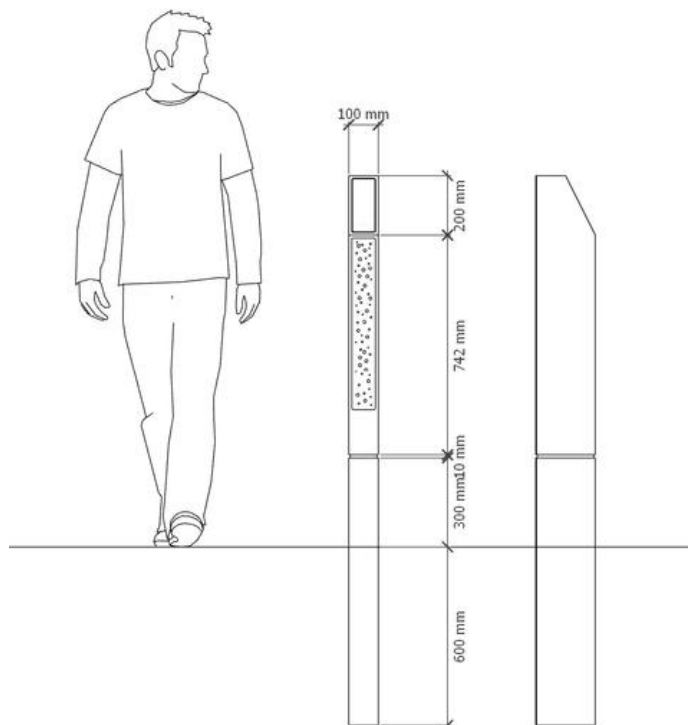
Handcrafted oak posts designed to create nesting habitats for solitary bees.

The tall natural timber structures add height interest to rain gardens and nature projects.

Signage allows for signage opportunities such as branding or educational elements.

Construction:

- Sawn oak timber sleeper.
- Routed etching and drilled bee holes.
- Dibond signage.



To find out more email [enquiries@meristemdesign.co.uk](mailto:enquiries@meristemdesign.co.uk)

Turning the grey green®

# Ivy Posts

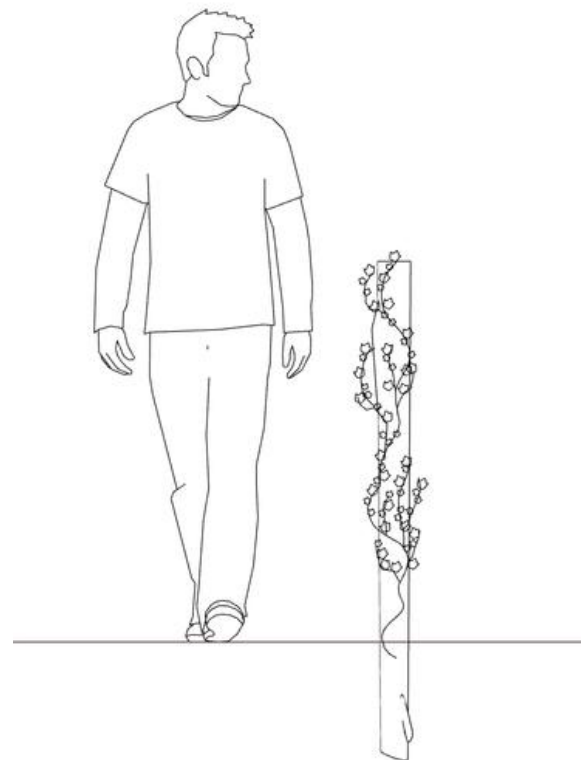


The tall natural timber structures add green height interest to rain gardens and nature projects.

Hedera helix ivy is a highly pollinator friendly plant and will help guide insects to the garden.

Construction:

- Ranging heights of chestnut post.
- Single cane Hedera helix ivy wound around post.



# Stepping Logs and Stones



Create interactive pathways through rain gardens and parks using our stepping logs and stones.

We supply a range of heights and sizes and can install raised or sunk into the ground.

 Not suitable for road adjacent rain gardens.



To find out more email [enquiries@meristemdesign.co.uk](mailto:enquiries@meristemdesign.co.uk)

Turning the grey green®

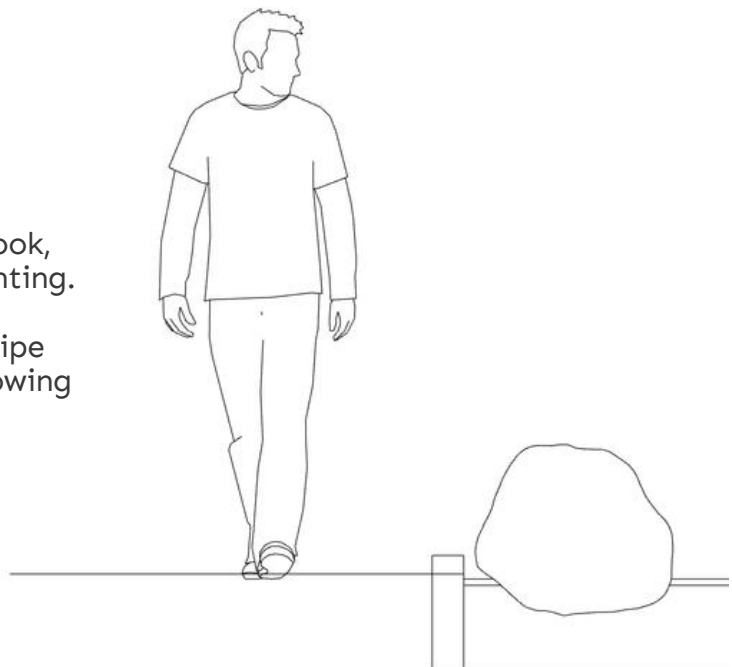
# Boulders



Boulders provide added structural and aesthetic benefits.

They can help create a more natural look, giving year round structure to the planting.

If used next to a water inlet or downpipe they can help dissipate the force of flowing water. These calmer flows will reduce erosion of soil and keep plants safer.





# Case Studies

We have lots of experience with unique bespoke elements.

If you have your own designs and ideas let us know and our designers will work to make them a reality.

**MERISTEM**

DESIGN

*Turning the grey green®*

# Hive Sign Coulsdon

Bespoke bug hotel.



To find out more email [enquiries@meristemdesign.co.uk](mailto:enquiries@meristemdesign.co.uk)

Turning the grey green®

# St John's St Rain Garden

Bug hotels, bee posts, ivy posts. Find out more [here](#).



To find out more email [enquiries@meristemdesign.co.uk](mailto:enquiries@meristemdesign.co.uk)

Turning the grey green®

# Scotts and Morley Road

Gabion benches and bespoke timber paths. Find out more [here](#).



To find out more email [enquiries@meristemdesign.co.uk](mailto:enquiries@meristemdesign.co.uk)

Turning the grey green®



**MERISTEM**

DESIGN

*Turning the grey green®*

To find out more go to  
[meristemdesign.co.uk](http://meristemdesign.co.uk)

Meristem Design  
45-47 Clerkenwell Green,  
London, EC1R 0EB

+44 (0) 20 31376971

@meristemdesign