

MN

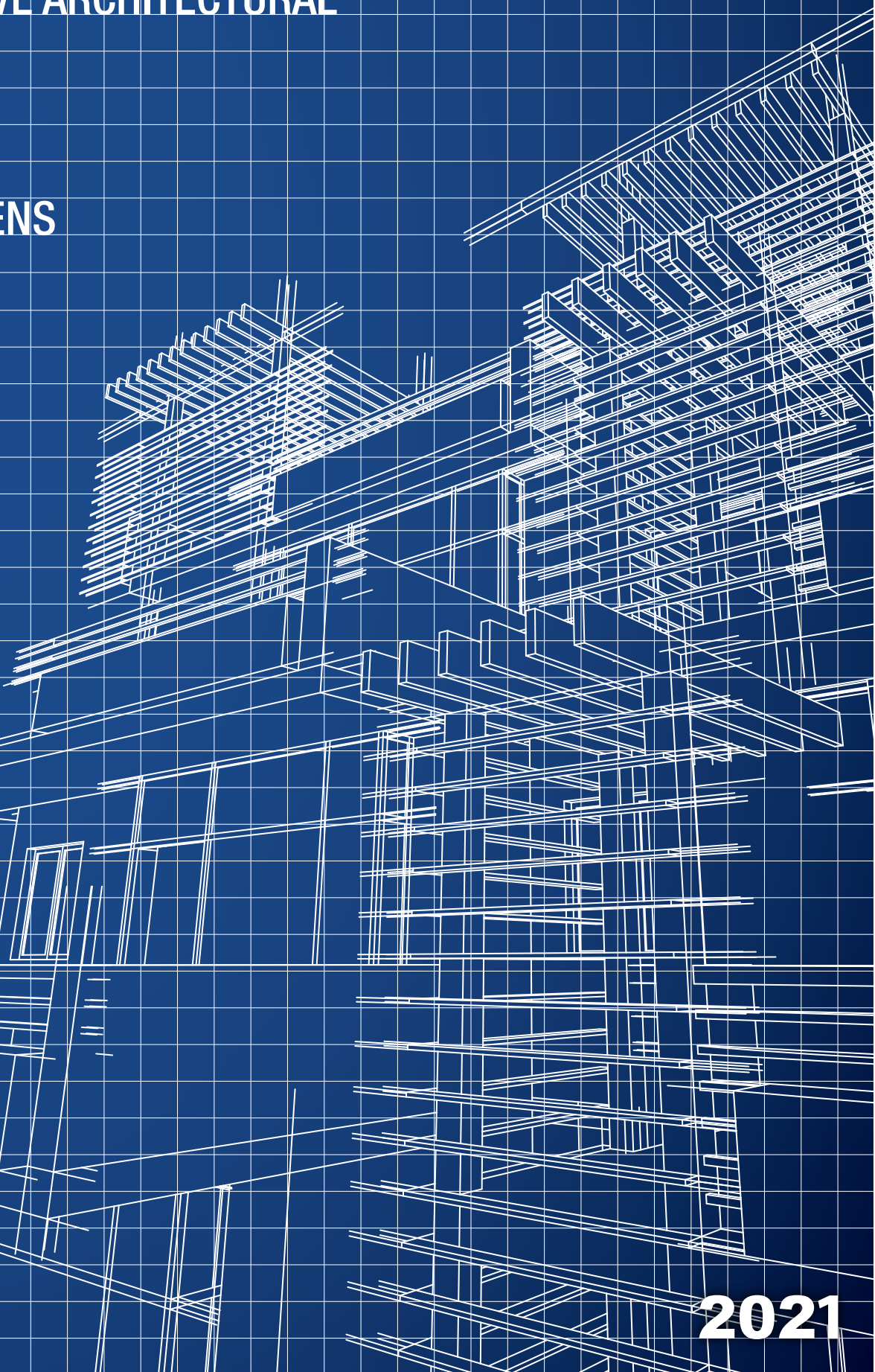
METAL SUPPLY

DECORATIVE ARCHITECTURAL

LOUVERS

AND

SUNSCREENS



2021

40
35
30
25
20
15
10
5
0

+0.01 +0.05 +0.07 +0.10 +0.12 +0.15

MNG
maenum group

MNG
maenum group

MNG
maenum group

MNG
maenum group

MNG
maenum group

MNG
maenum group

TYPE 1

ALUMINIUM TUBE GRILL

ALUMINIUM FIN

MNG
maenum group

MNG
maenum group

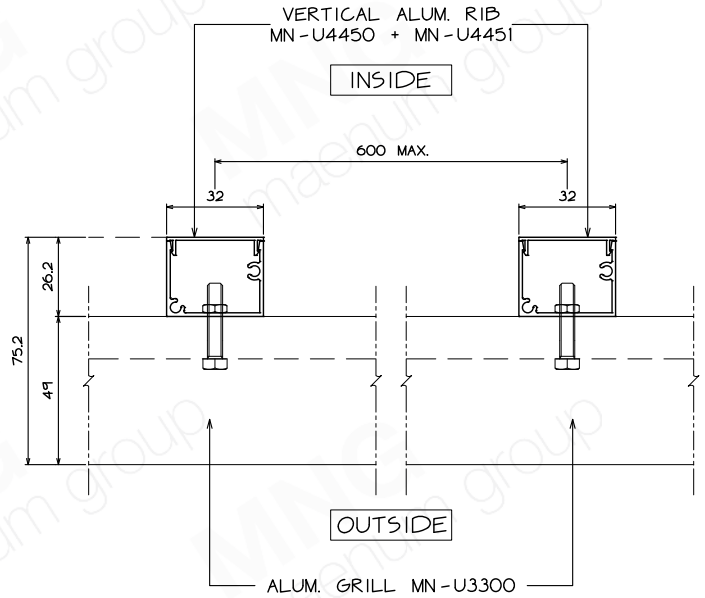
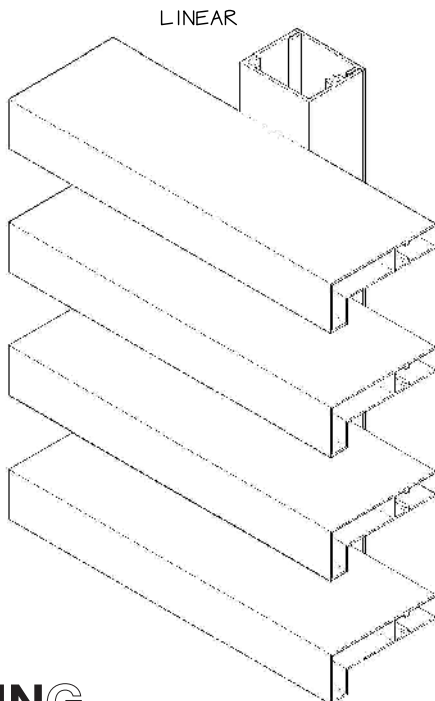
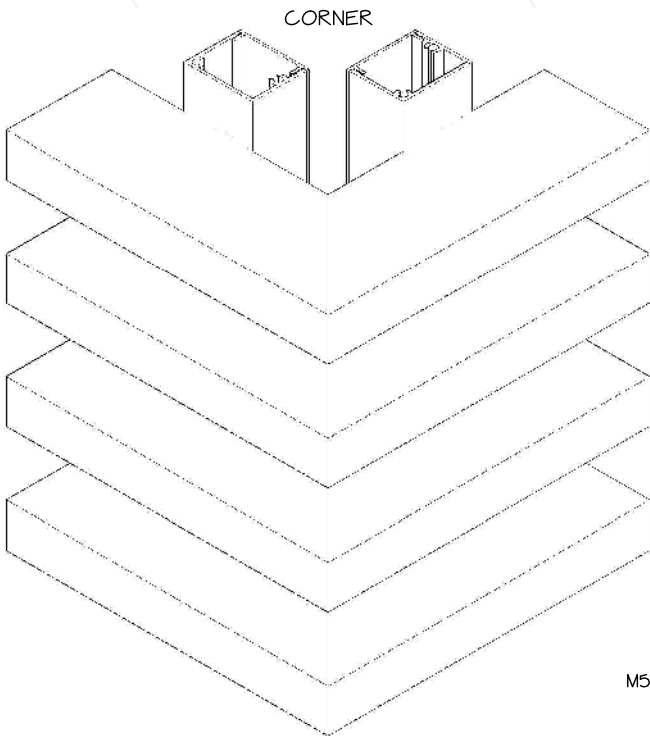
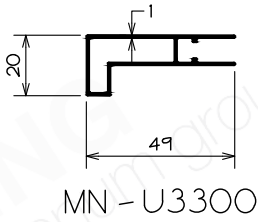
MNG
maenum group

MNG
maenum group

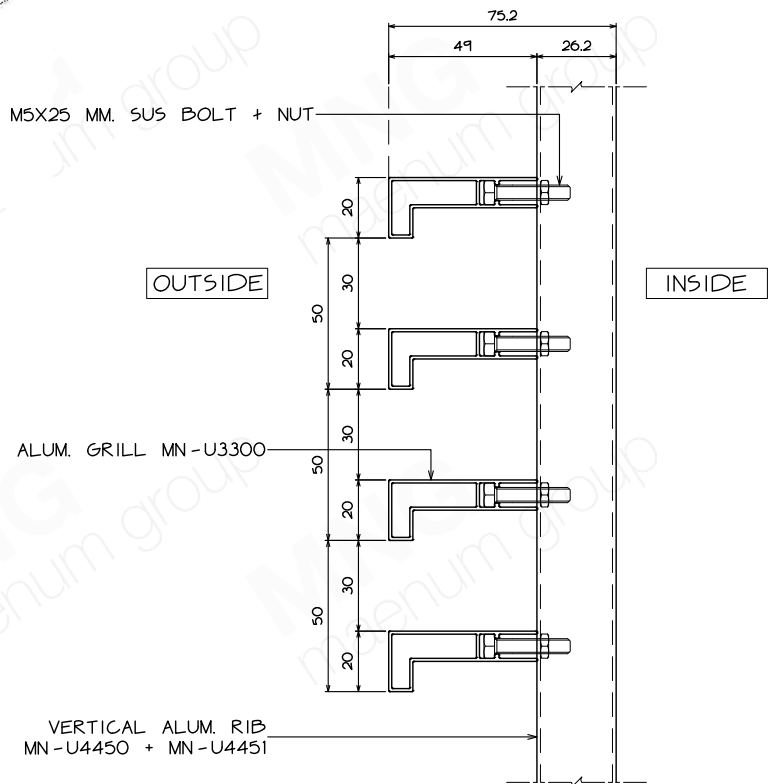
MNG
maenum group

MNG
maenum group

MN-U3300 HORIZONTAL GRILL

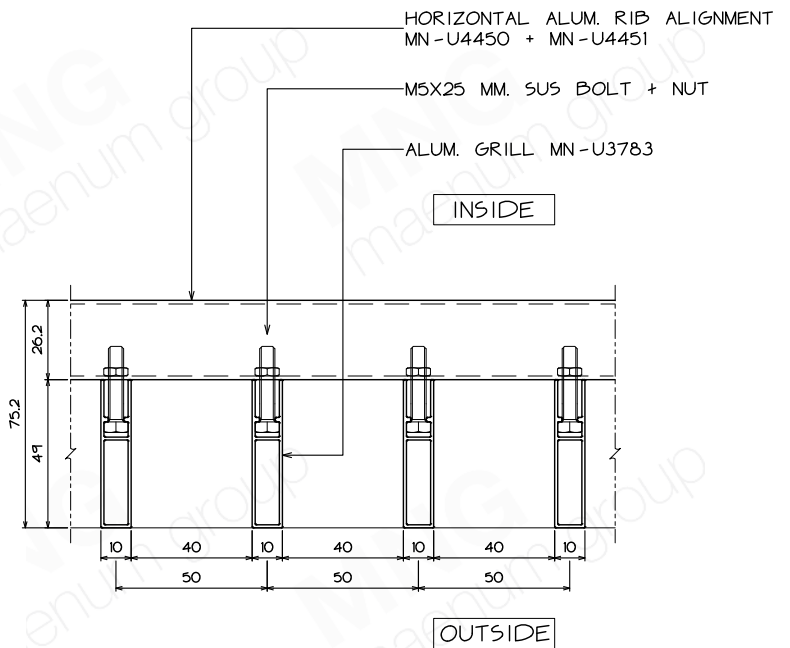
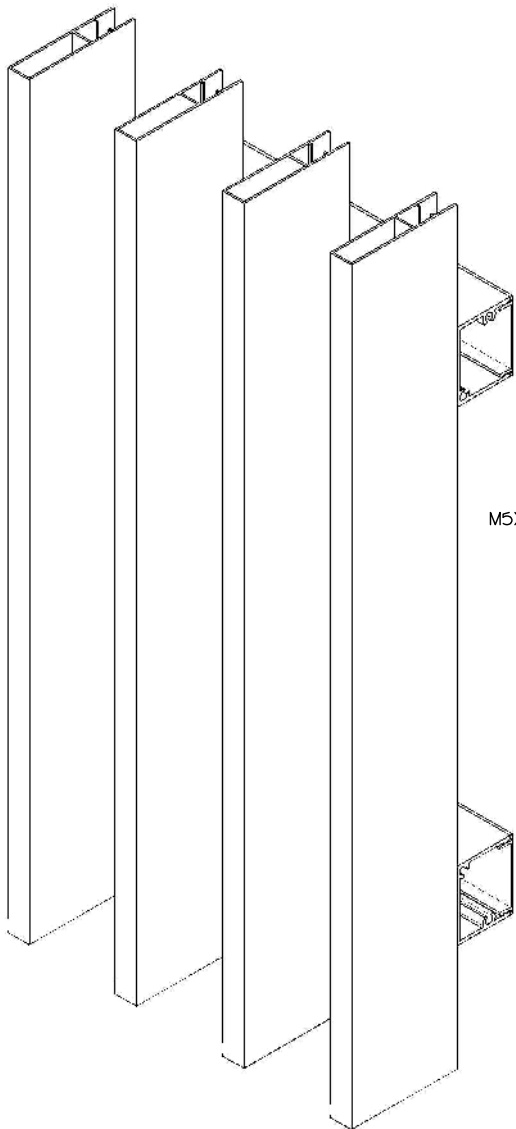
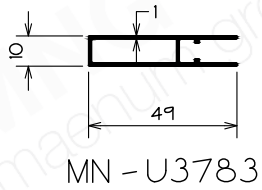


PLAN DETAILS
SCALE 1 : 2.5

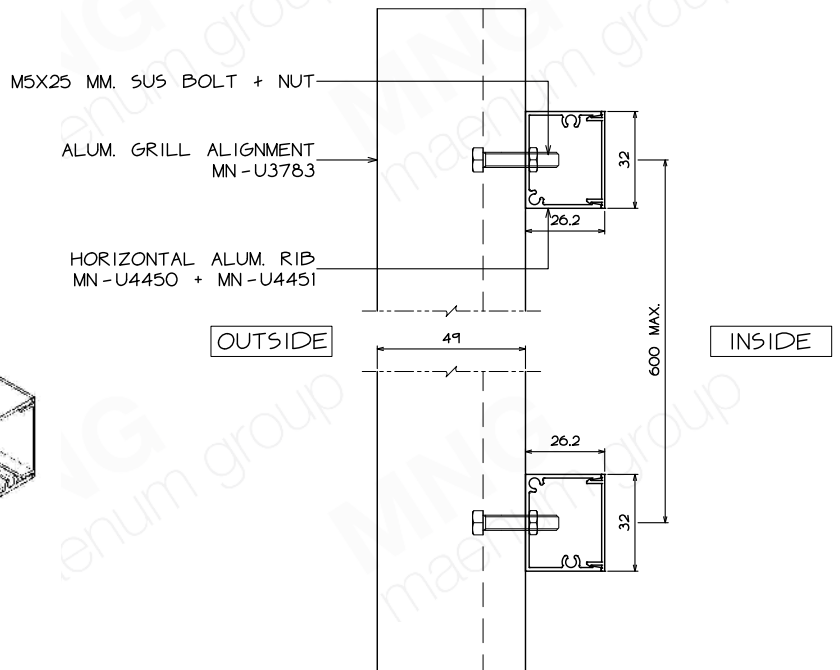


VERTICAL SECTION DETAILS
SCALE 1 : 2.5

MN-U3783 VERTICAL GRILL

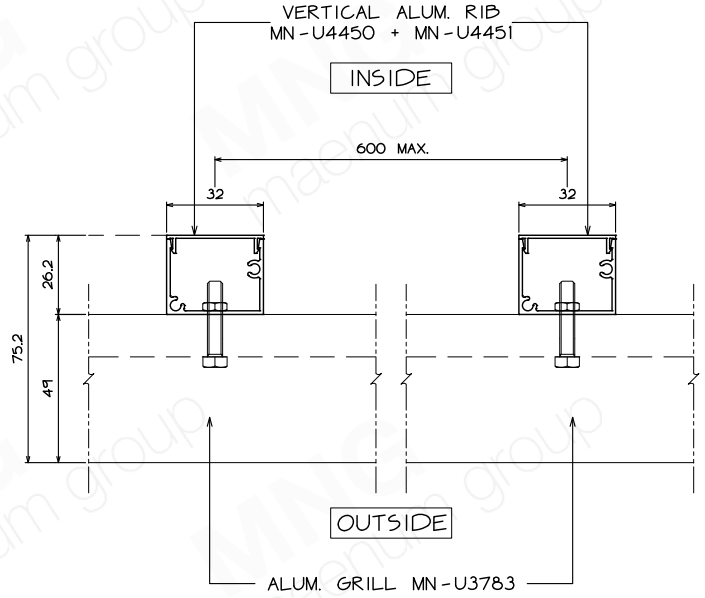
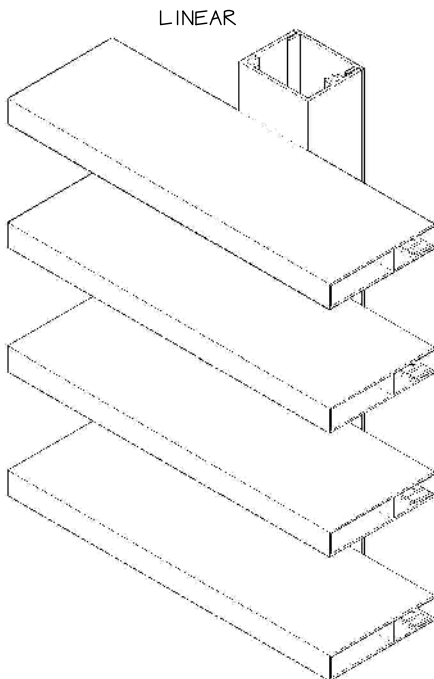
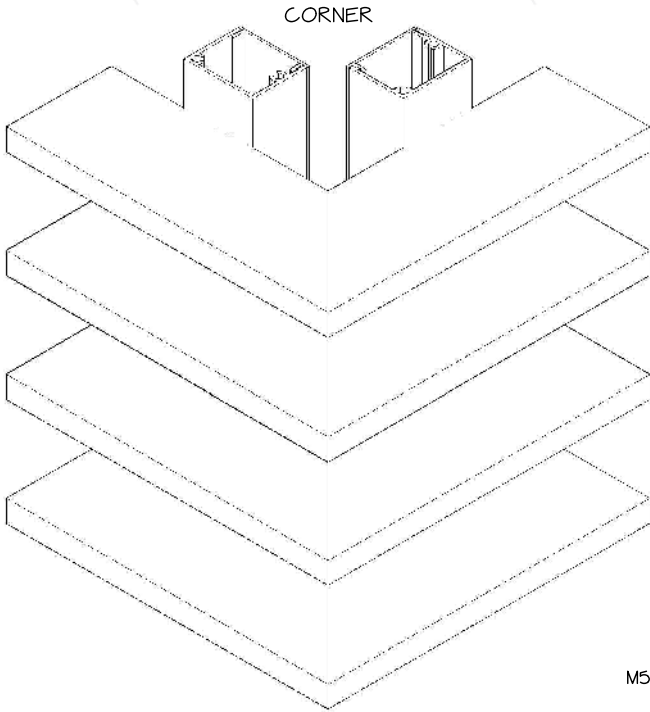
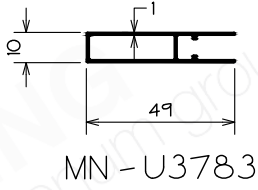


PLAN DETAILS
SCALE 1 : 2.5

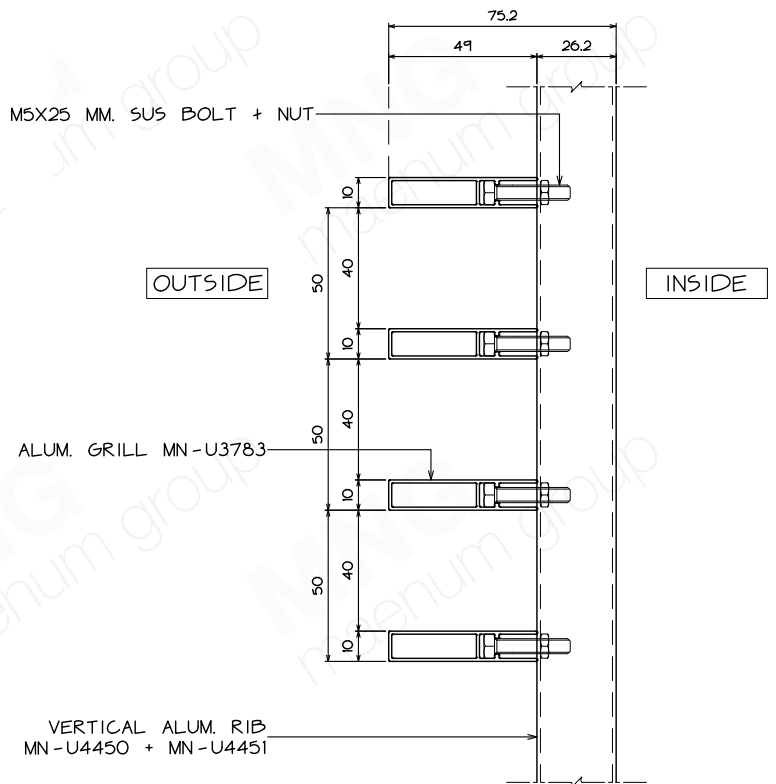


VERTICAL SECTION DETAILS
SCALE 1 : 2.5

MN-U3783 HORIZONTAL GRILL

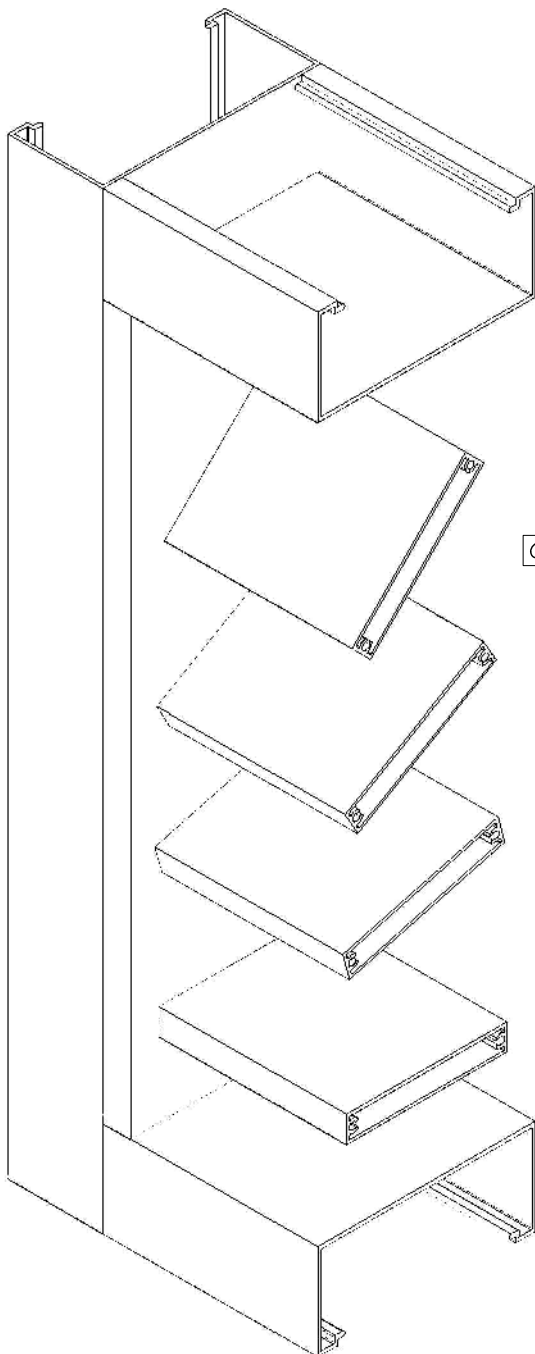
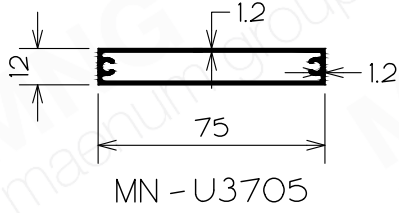


PLAN DETAILS
SCALE 1 : 2.5

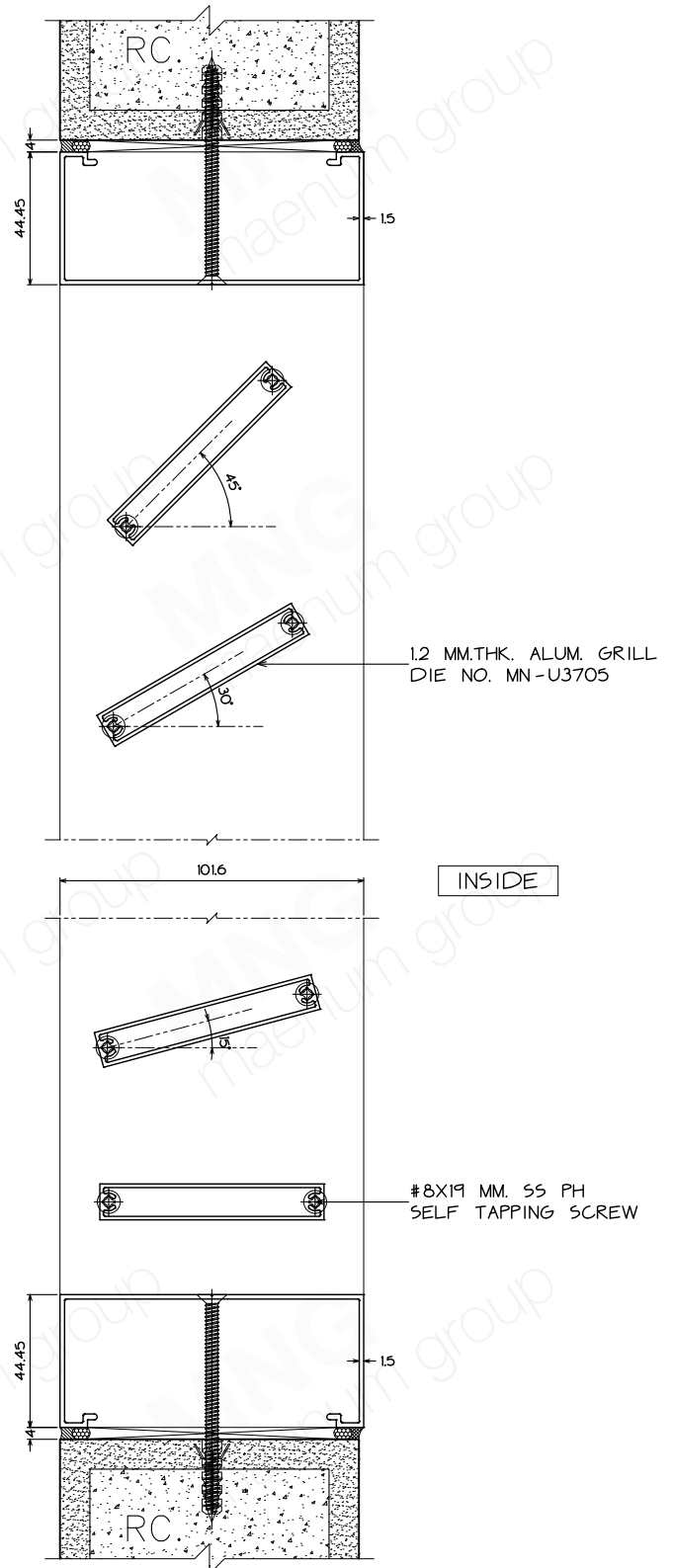


VERTICAL SECTION DETAILS
SCALE 1 : 2.5

MN-U3705 HORIZONTAL GRILL

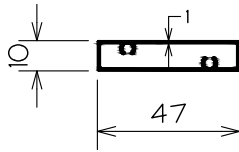


OUTSIDE

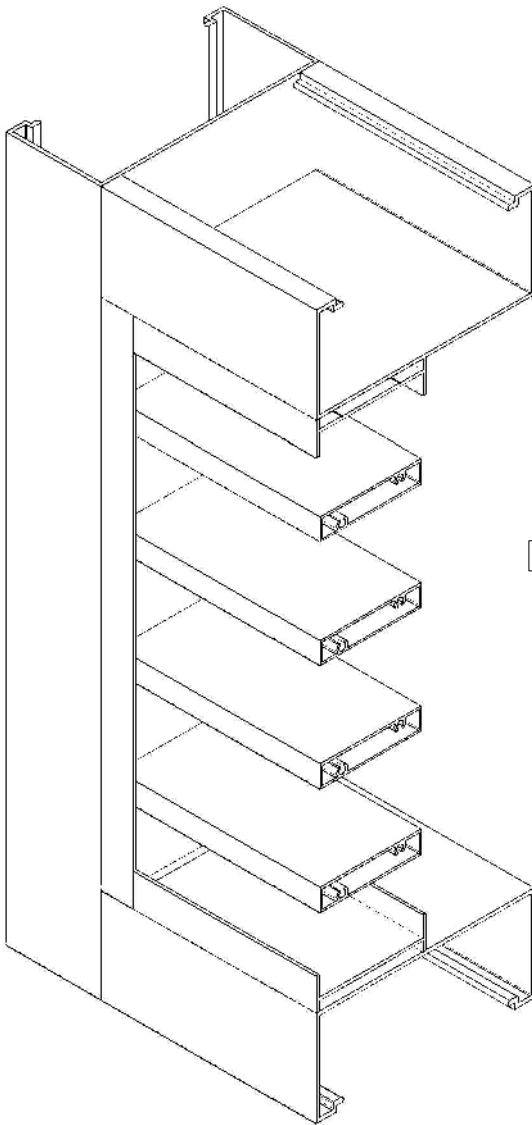


VERTICAL SECTION DETAILS
SCALE 1 : 2.5

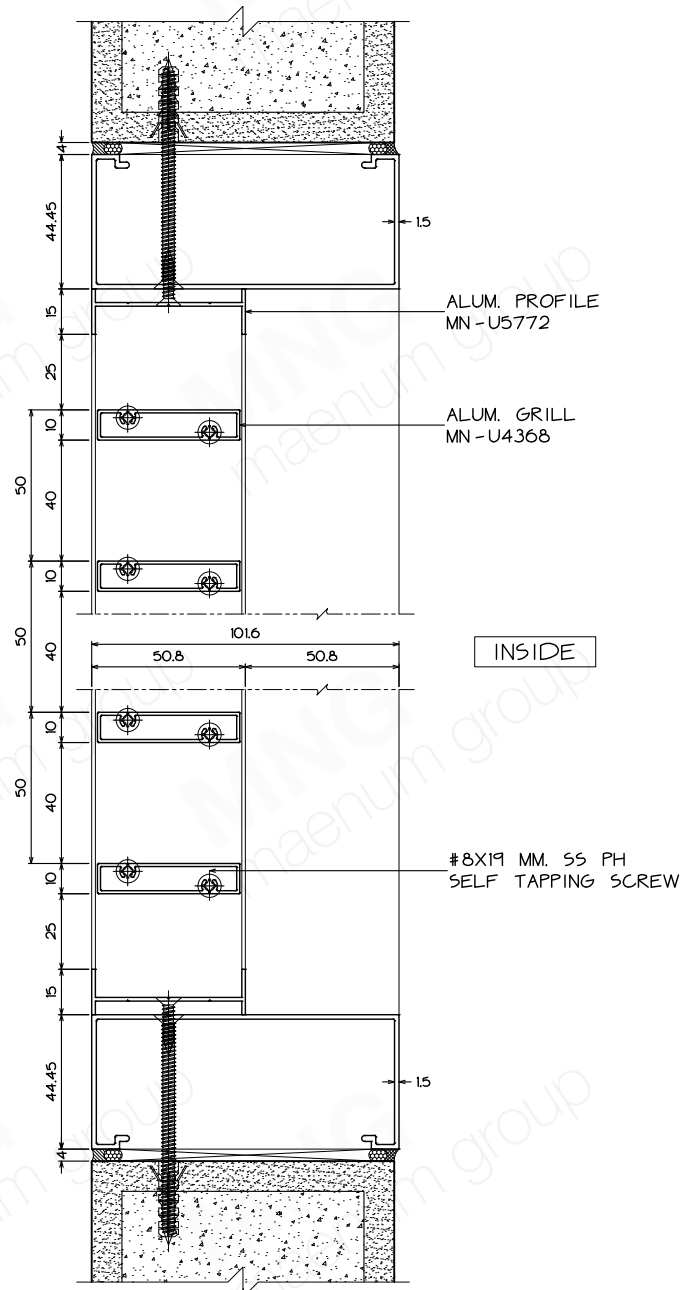
MN-U4368 HORIZONTAL GRILL



MN - U4368

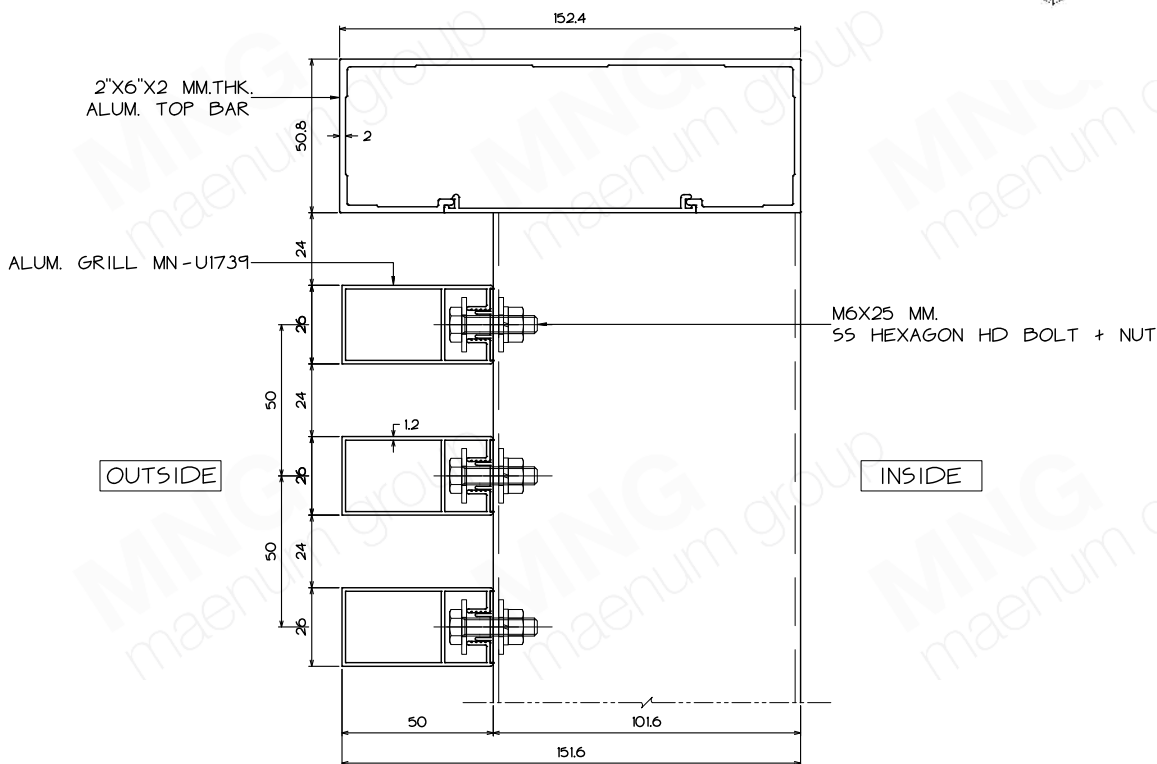
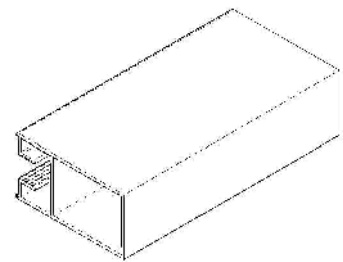
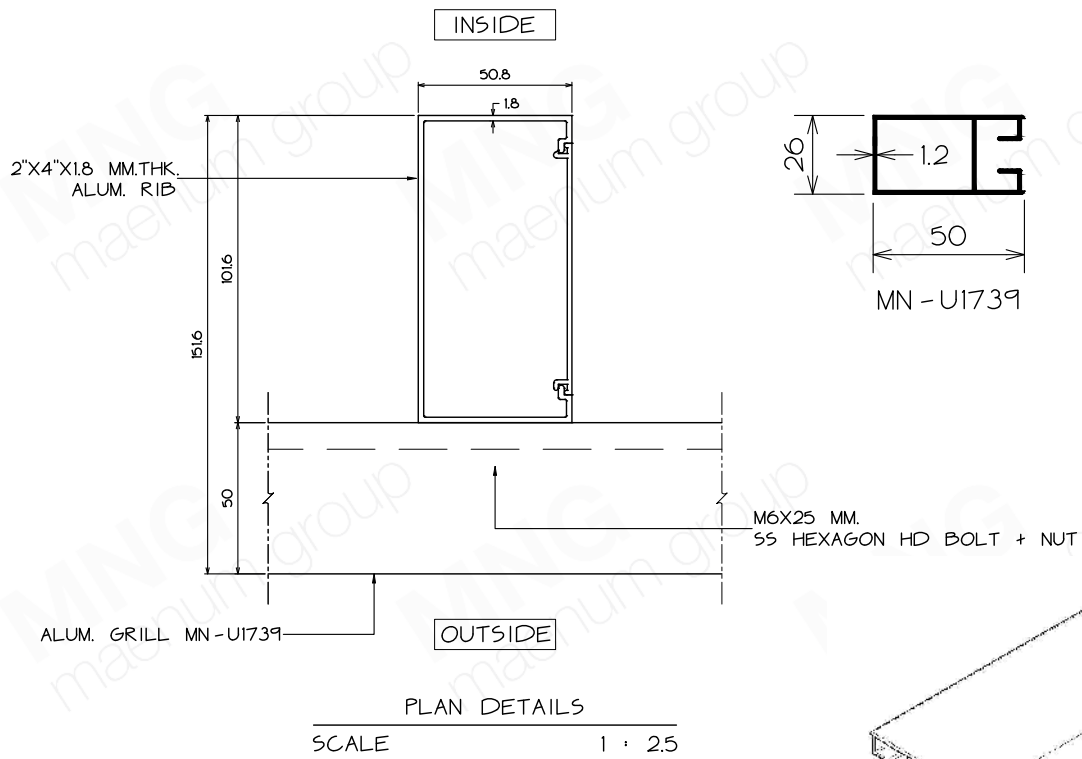


OUTSIDE

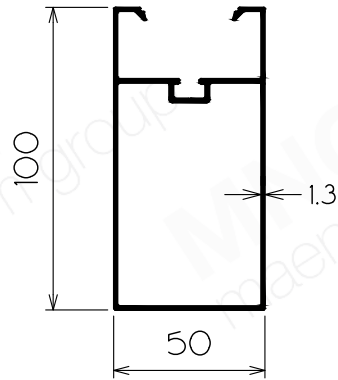
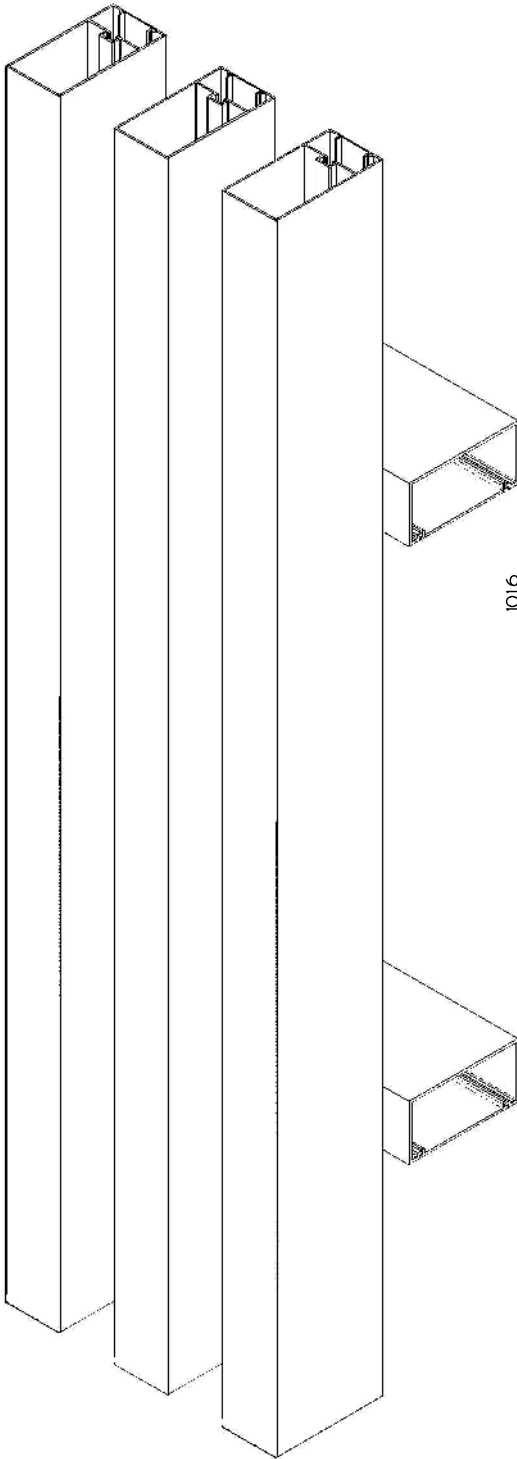


VERTICAL SECTION DETAILS
SCALE 1 : 2.5

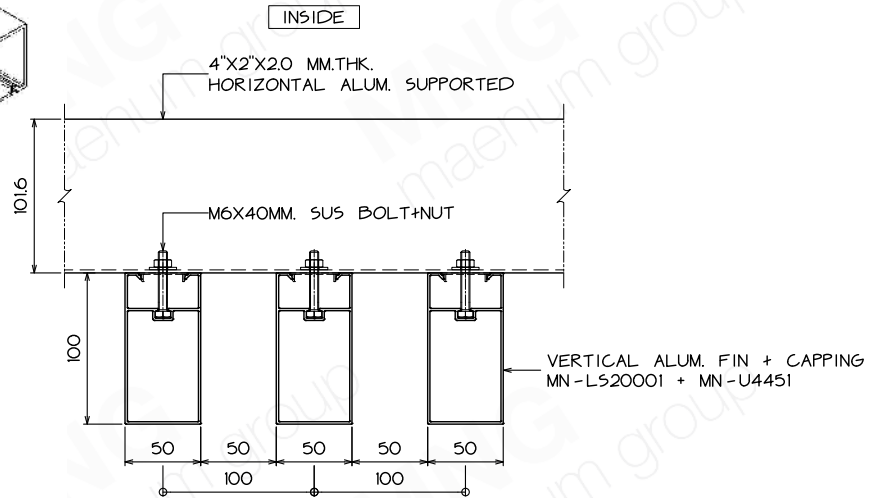
MN-U1739 HORIZONTAL GRILL



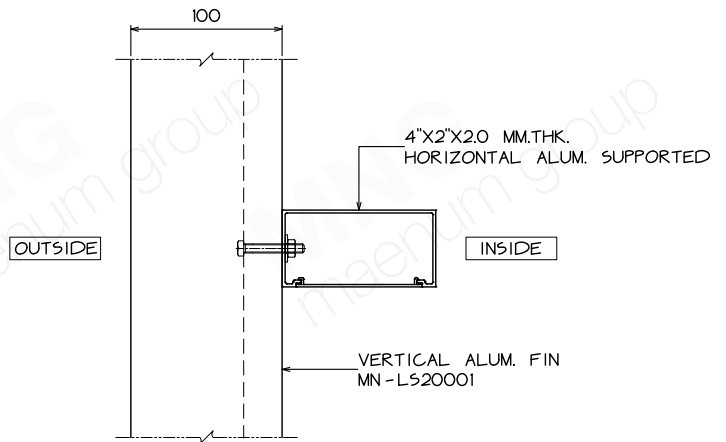
MN-LS20001 VERTICAL FIN



MN - LS20001

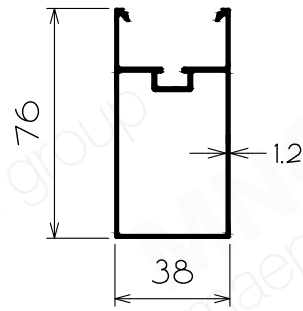
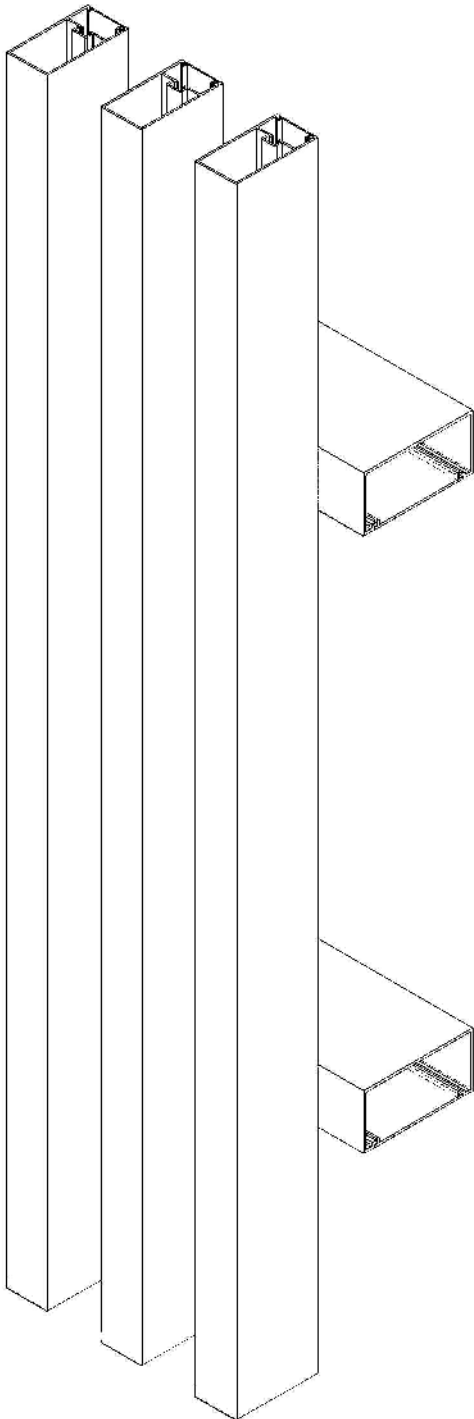


OUTSIDE
PLAN DETAILS
SCALE 1 : 5

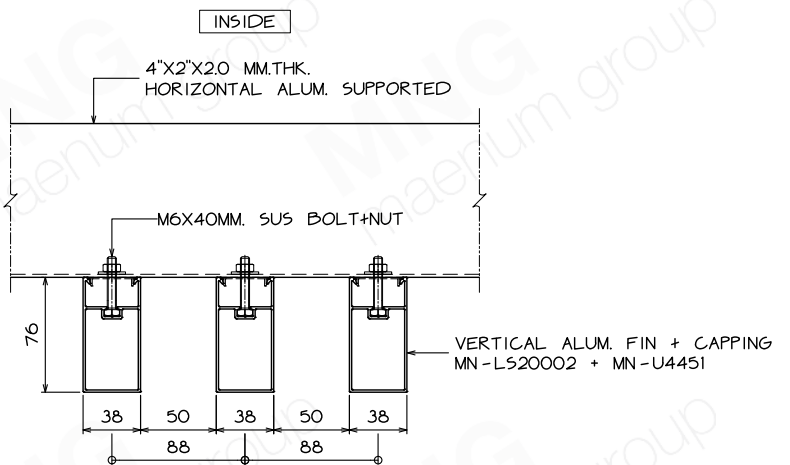


VERTICAL SECTION DETAILS
SCALE 1 : 5

MN-LS20002 VERTICAL FIN

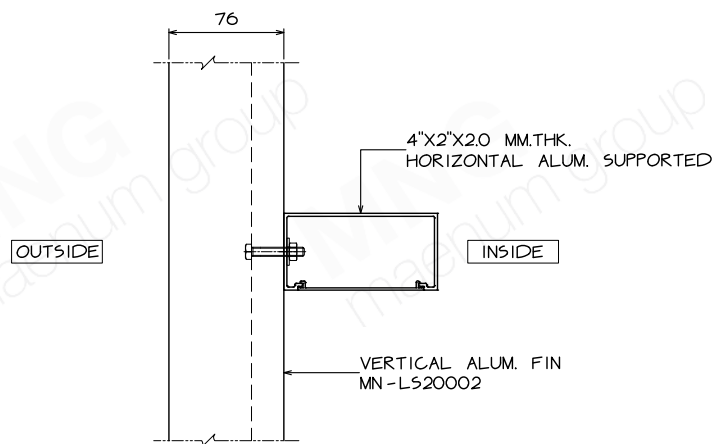


MN - LS20002



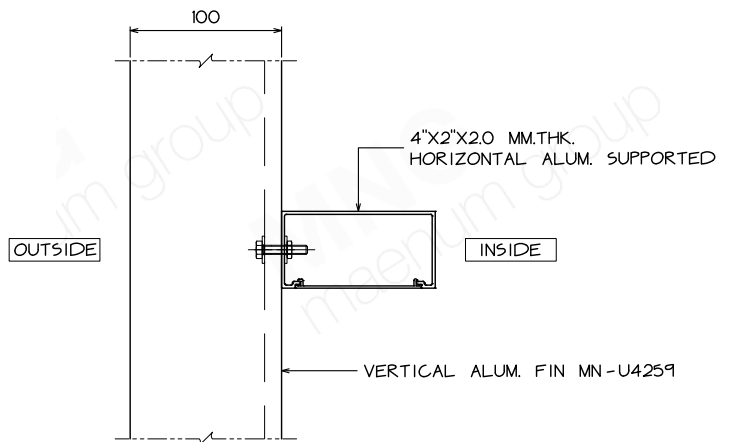
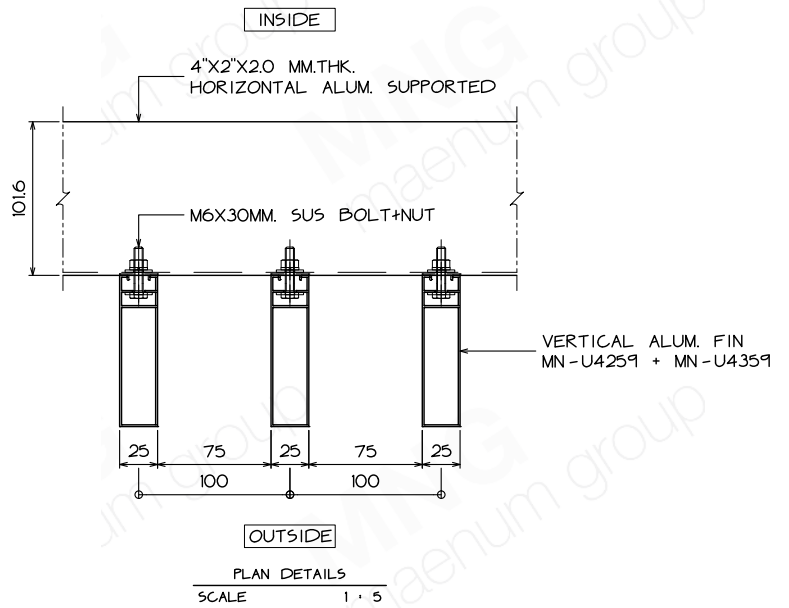
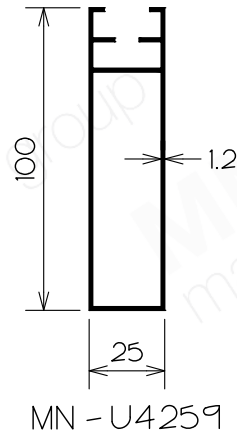
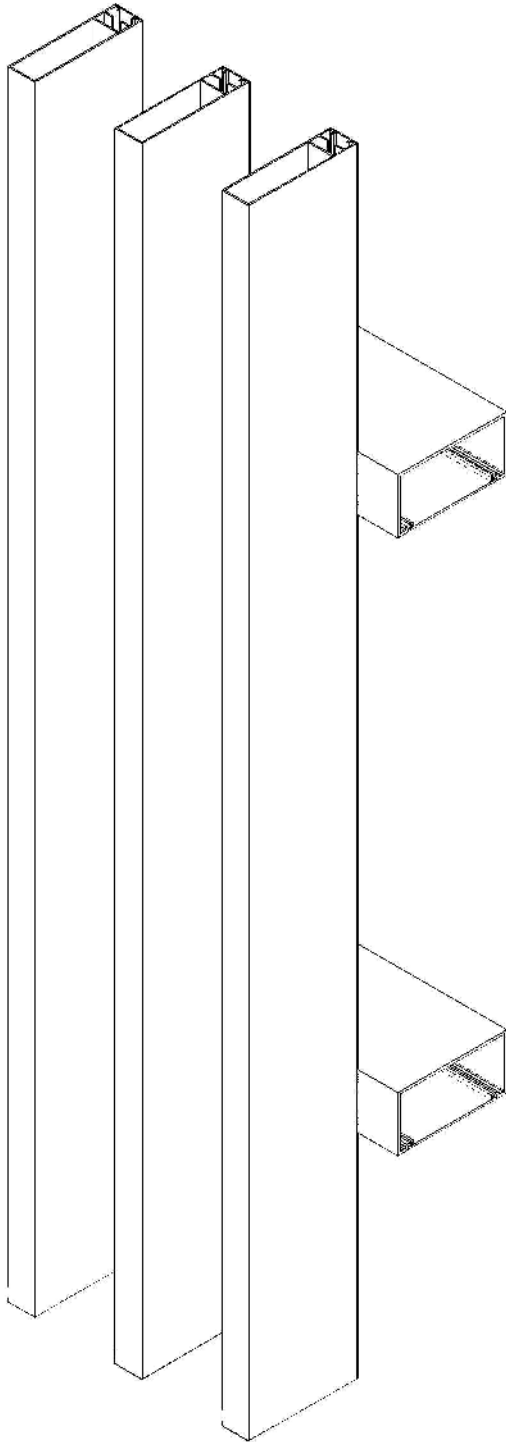
OUTSIDE

PLAN DETAILS
SCALE 1 : 5

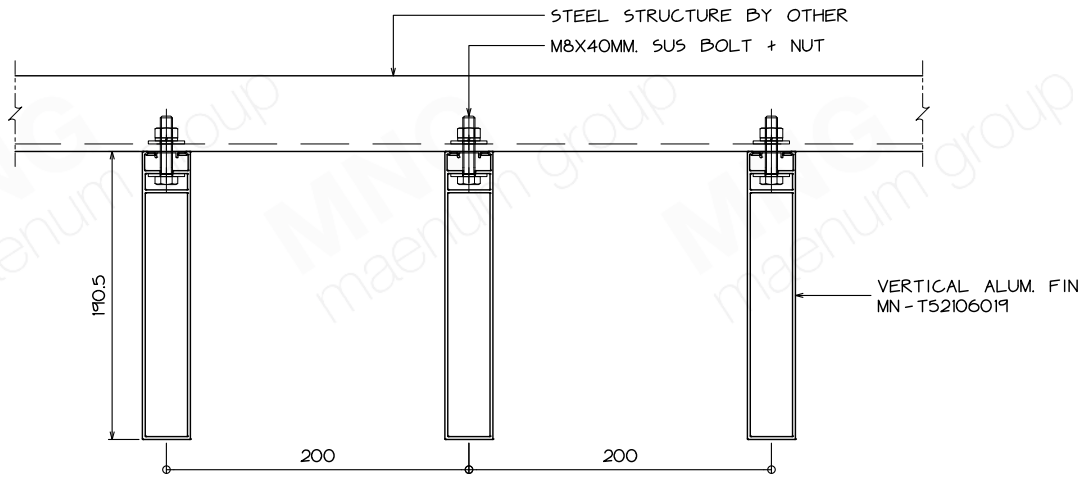


VERTICAL SECTION DETAILS
SCALE 1 : 5

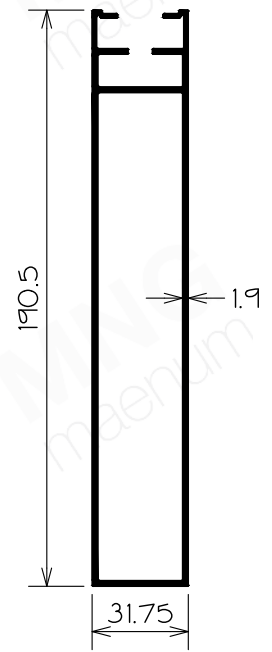
MN-U4259 VERTICAL FIN



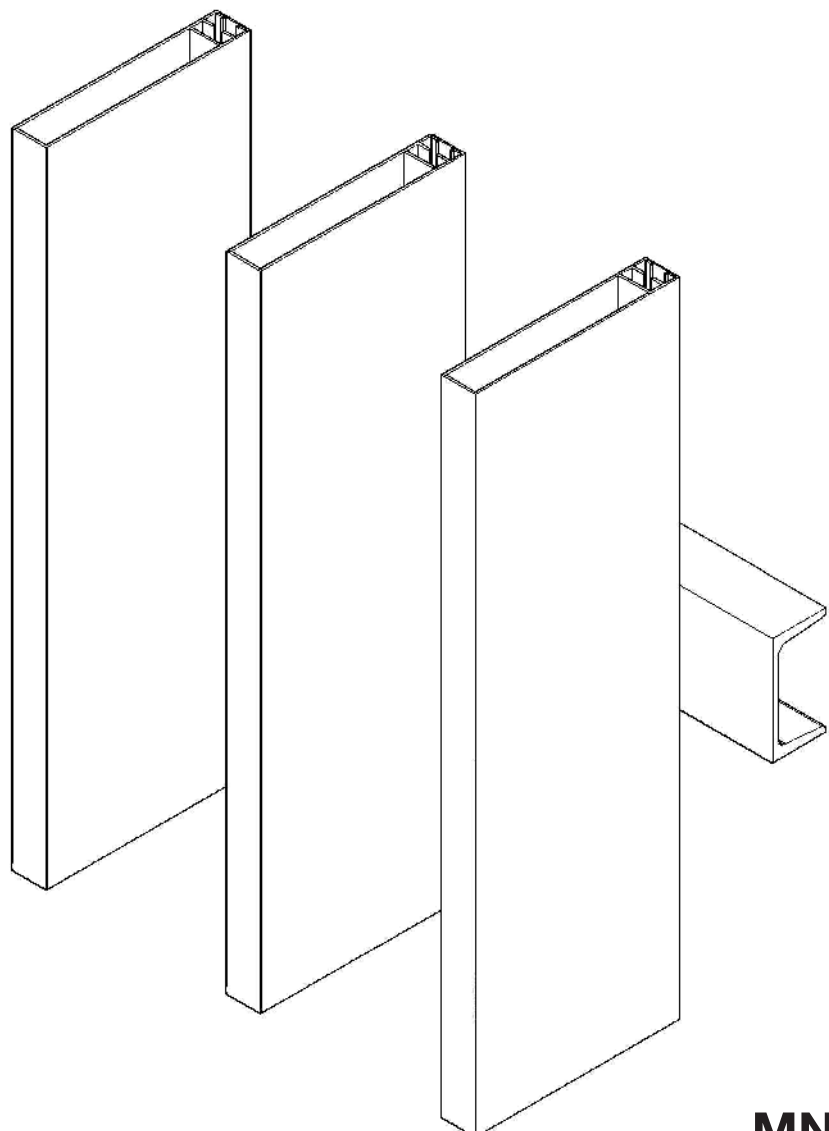
MN-T52106019 VERTICAL FIN



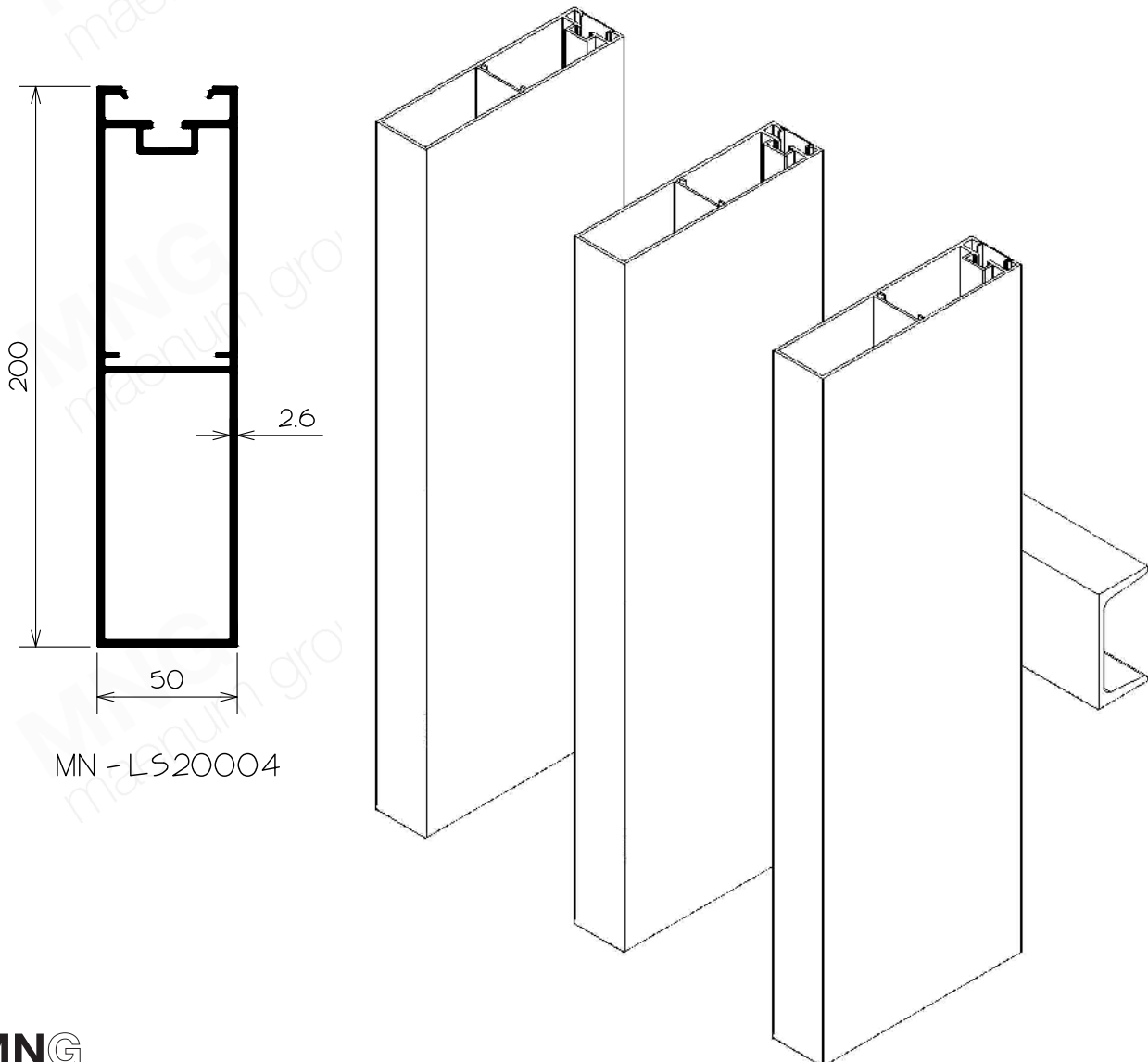
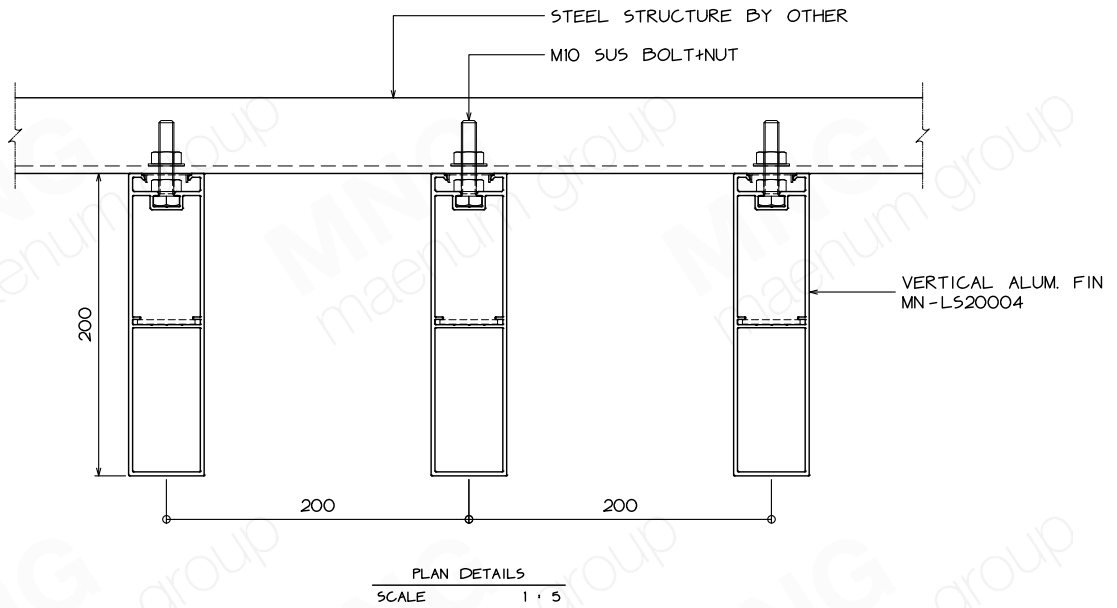
PLAN DETAILS
SCALE 1 : 5



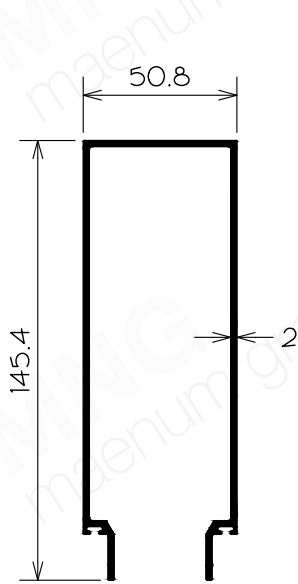
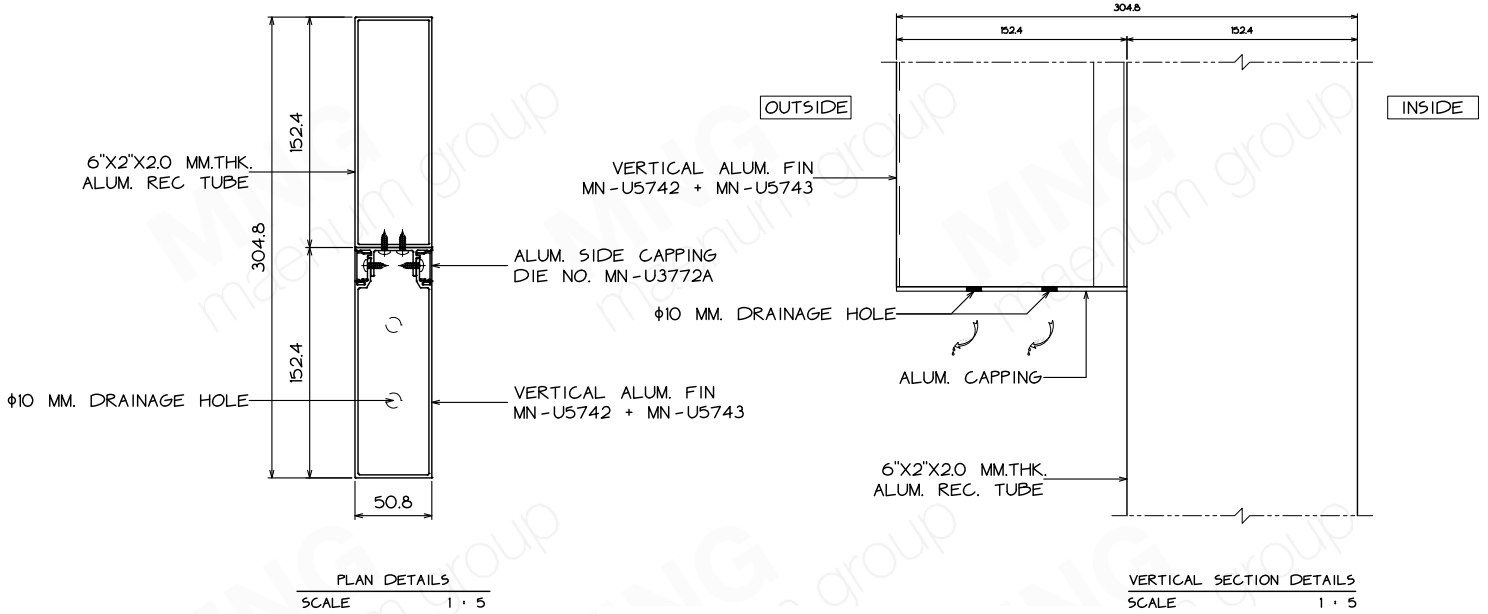
MN-T52106019



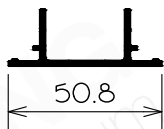
MN-LS20004 VERTICAL FIN



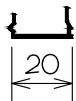
MN-U5742 COMBINED VERTICAL FIN



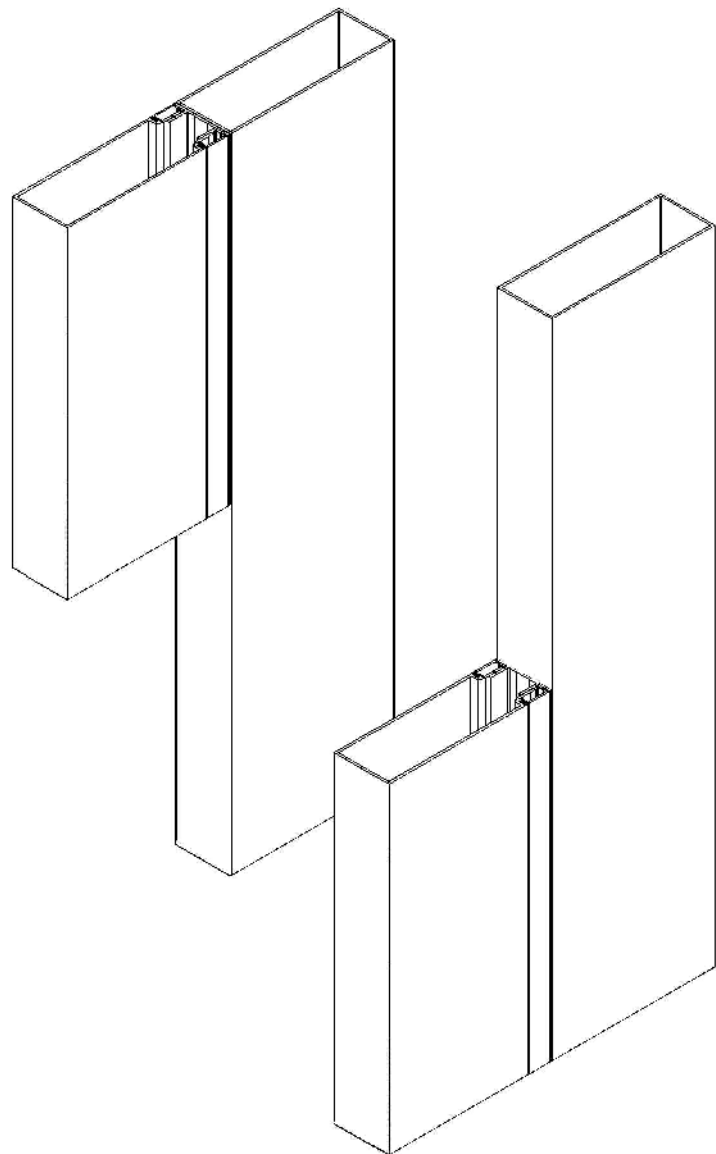
MN - U5742



MN - U5743



MN - U3772A



MNG
maenum group

MNG
maenum group

MNG
maenum group

MNG
maenum group

MNG
maenum group

MNG
maenum group

TYPE 2

ALUMINIUM Z-LOUVER

SINGLE BLADE LOUVER

MNG
maenum group

MNG
maenum group

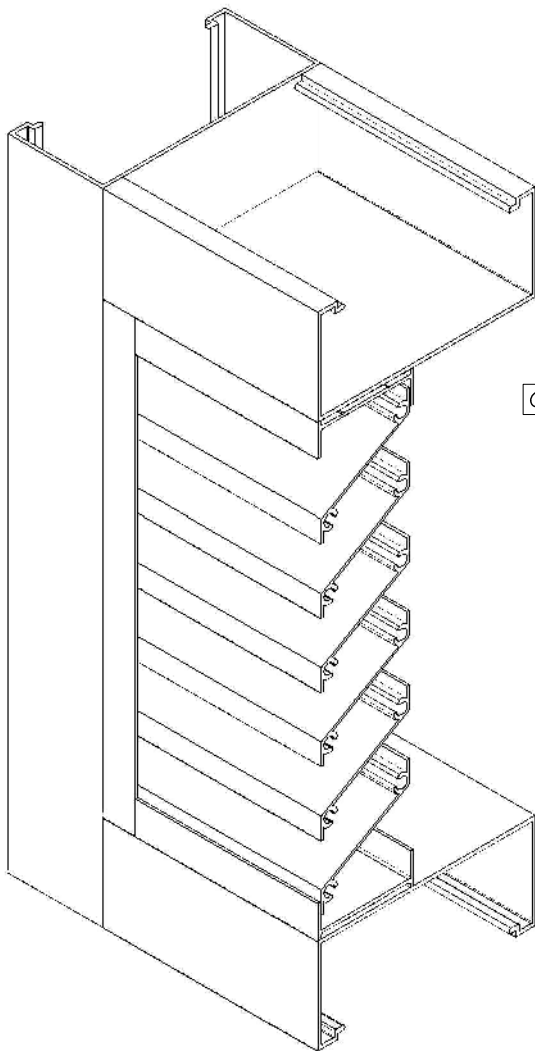
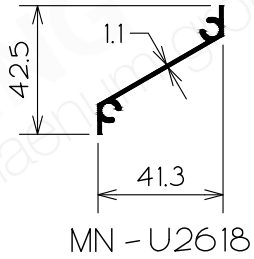
MNG
maenum group

MNG
maenum group

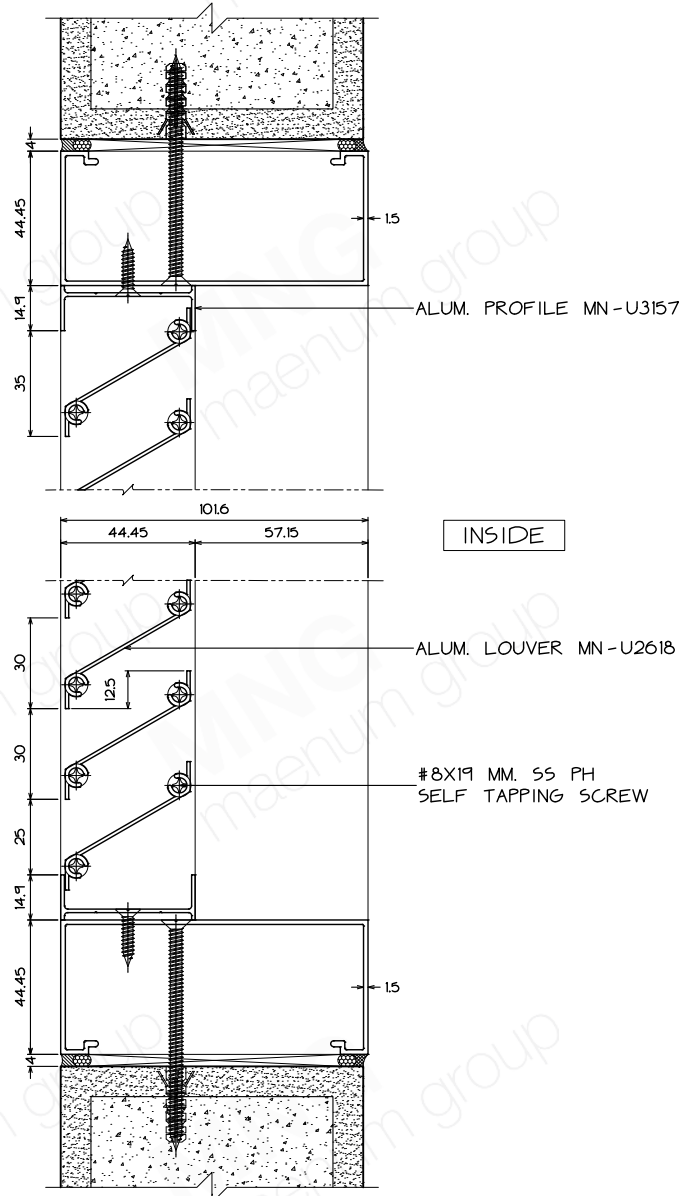
MNG
maenum group

MNG
maenum group

MN-U2618 LOUVER

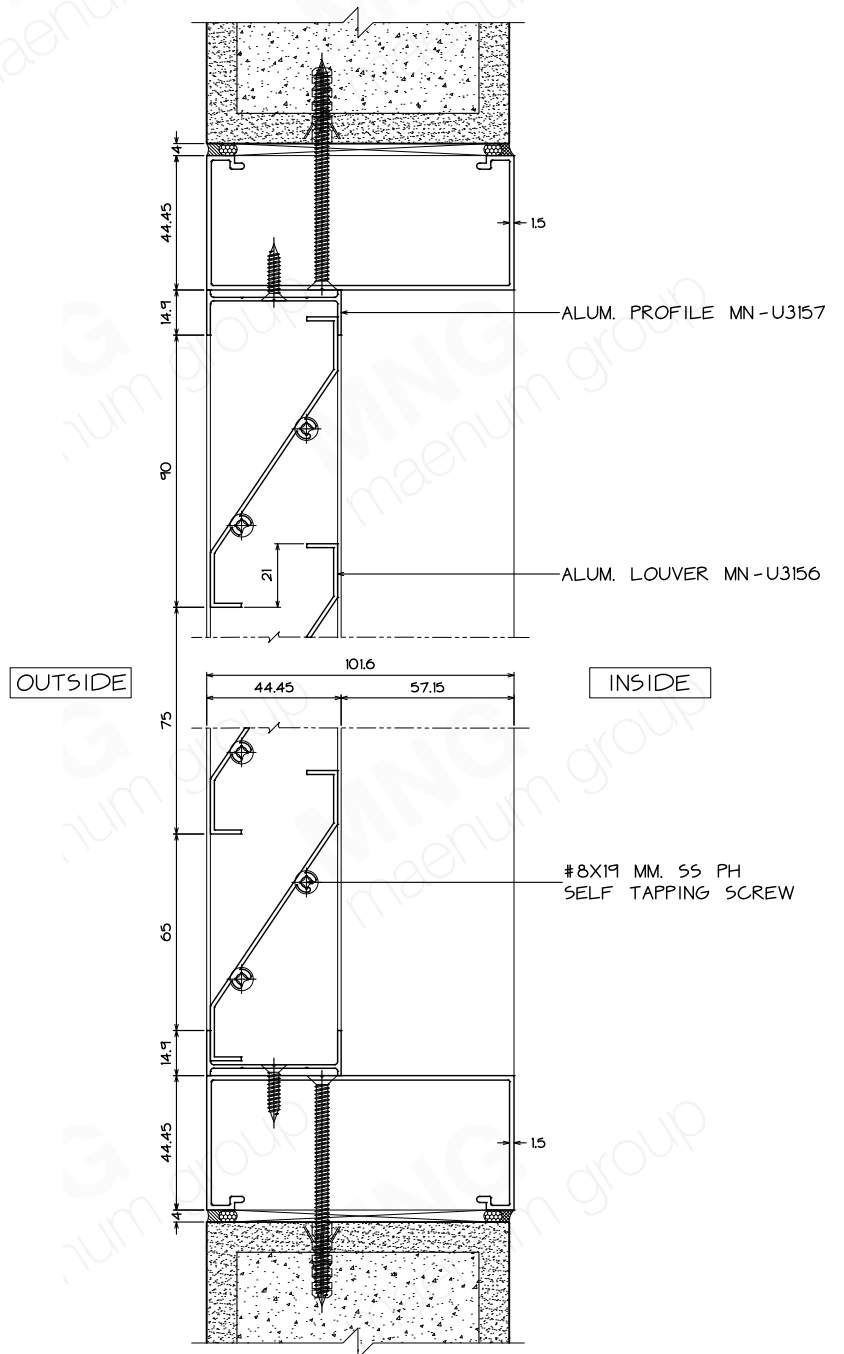
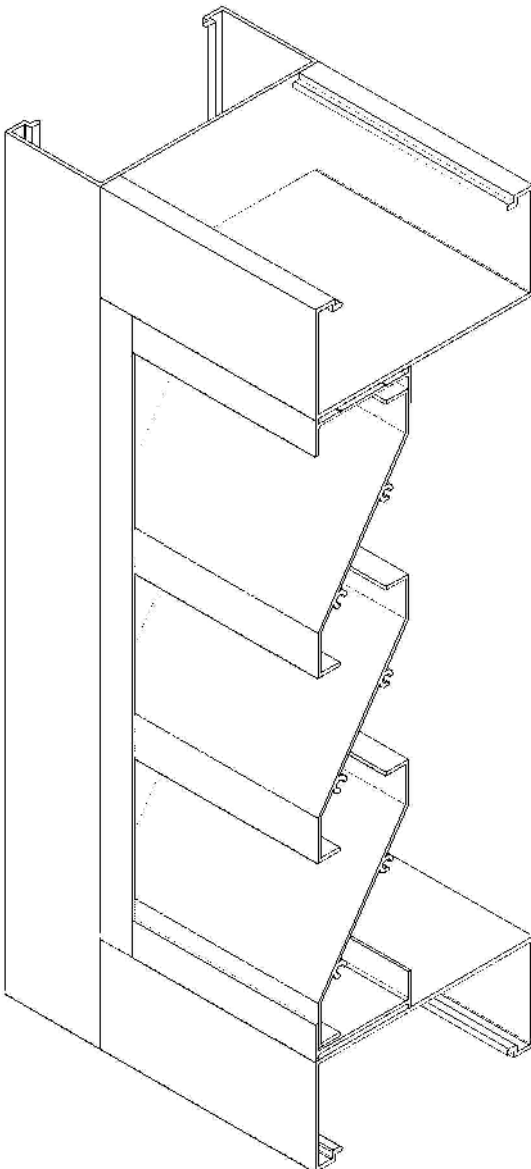
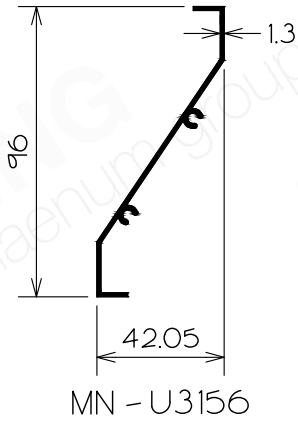


OUTSIDE



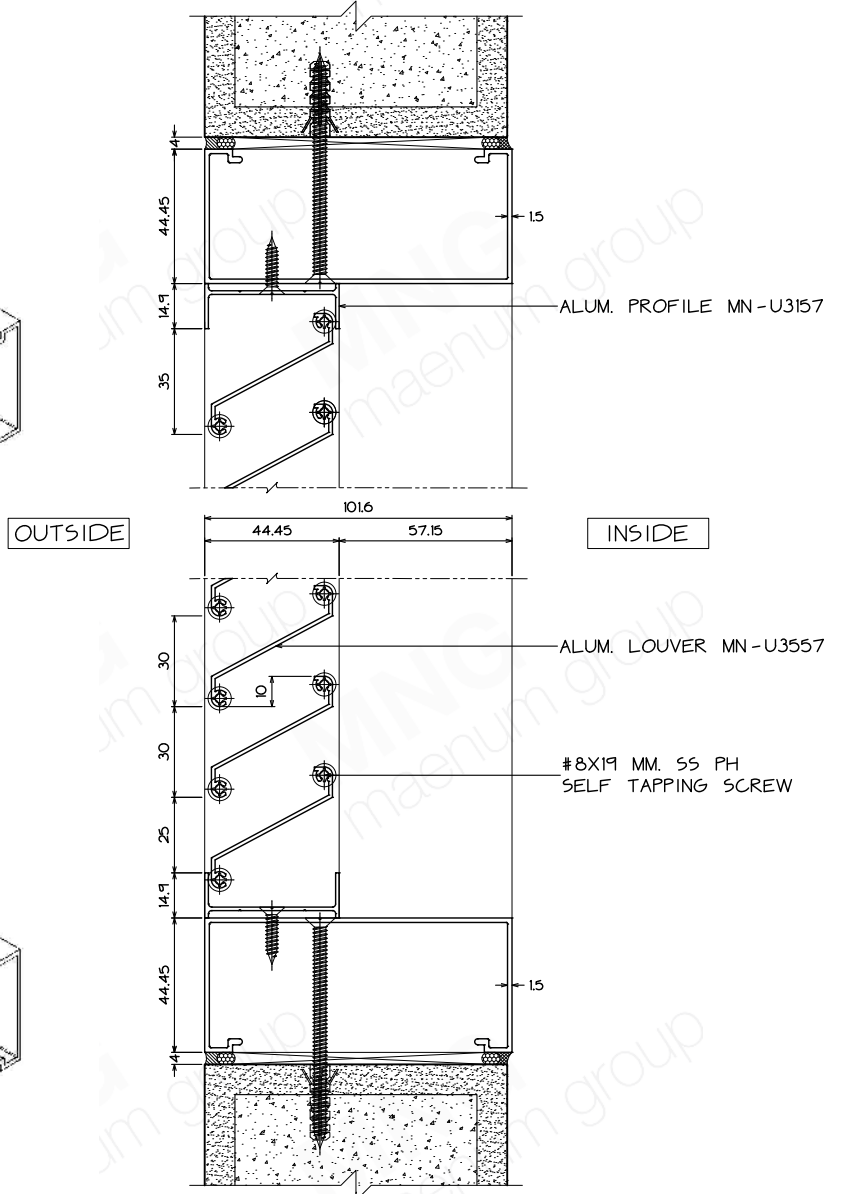
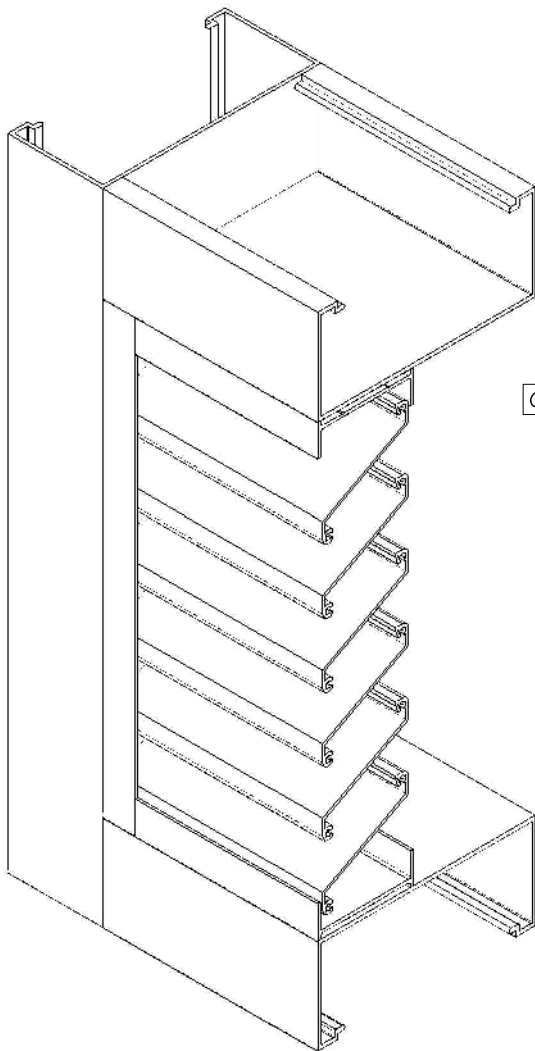
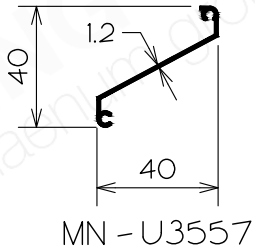
VERTICAL SECTION DETAILS
SCALE 1 : 2.5

MN-U3156 Z-LOUVER



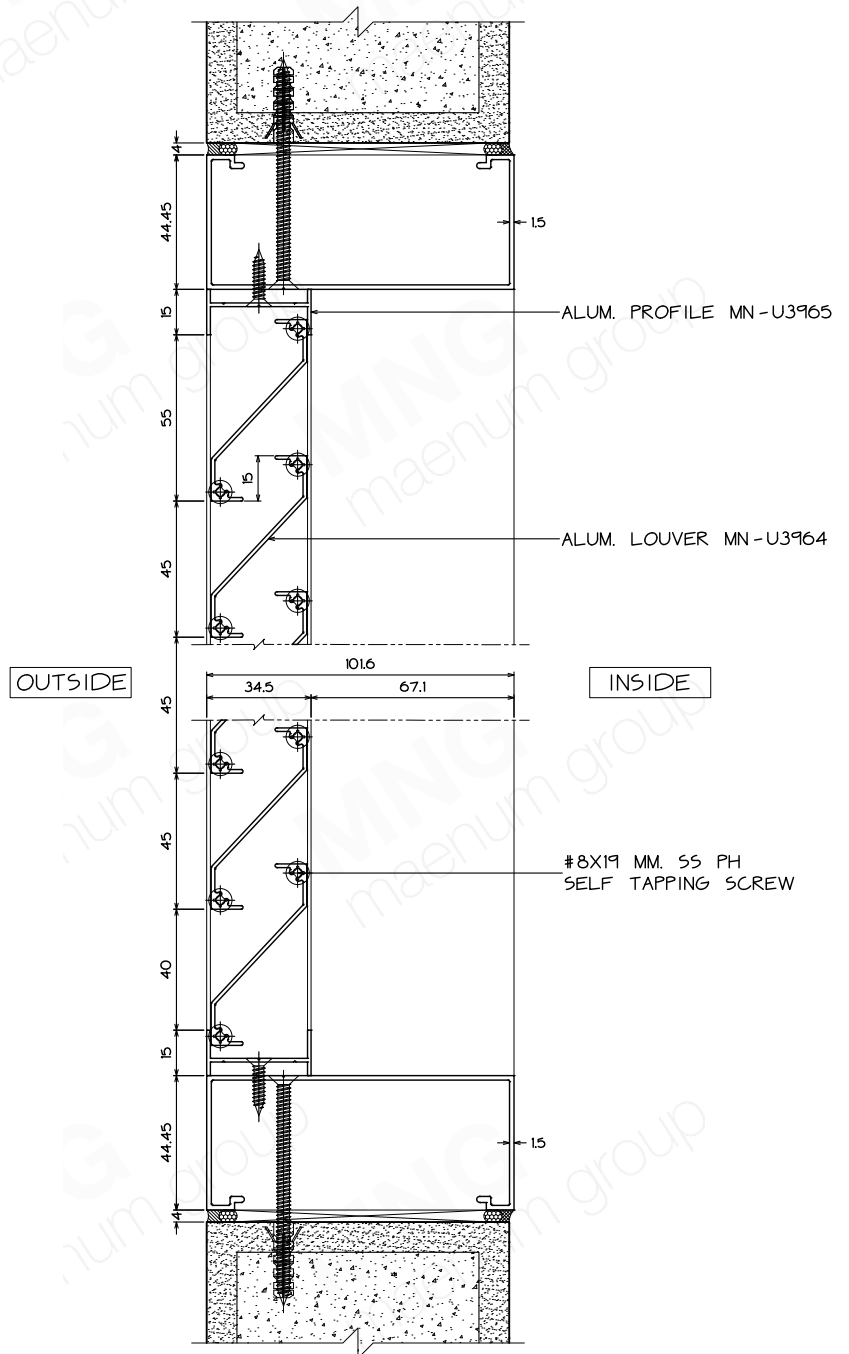
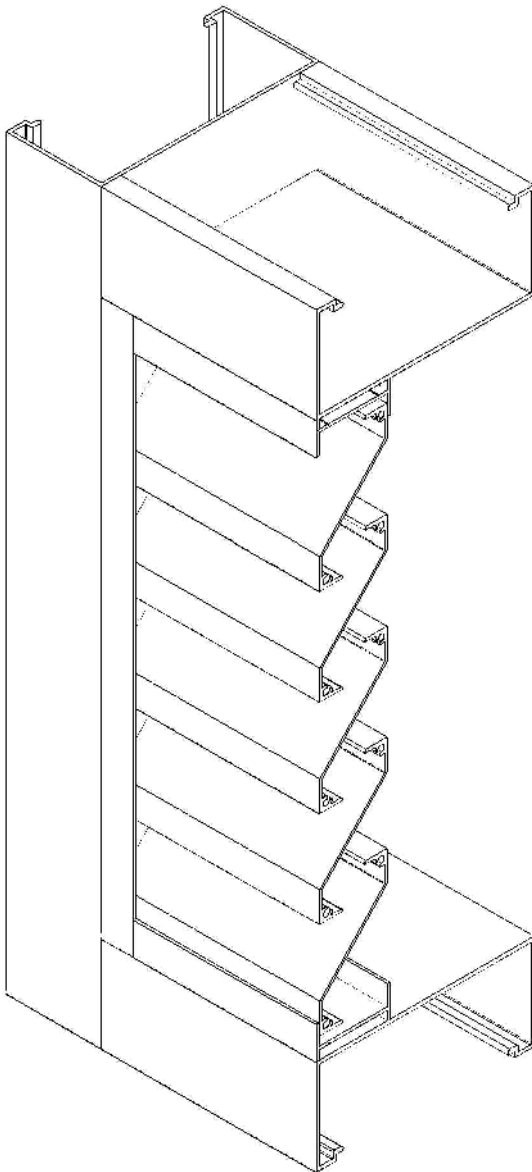
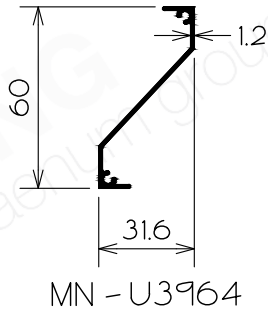
VERTICAL SECTION DETAILS
SCALE 1 : 2.5

MN-U3557 LOUVER



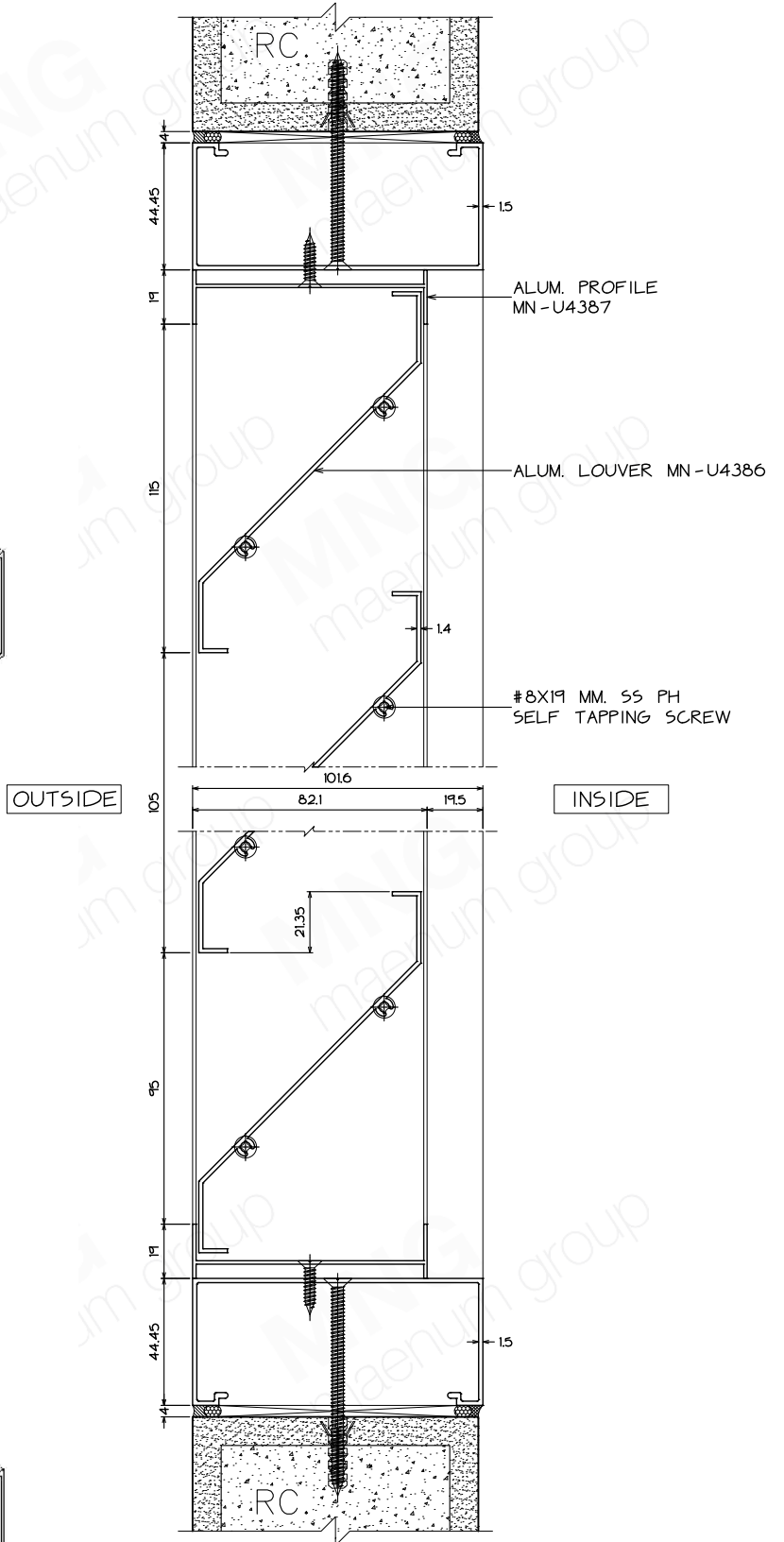
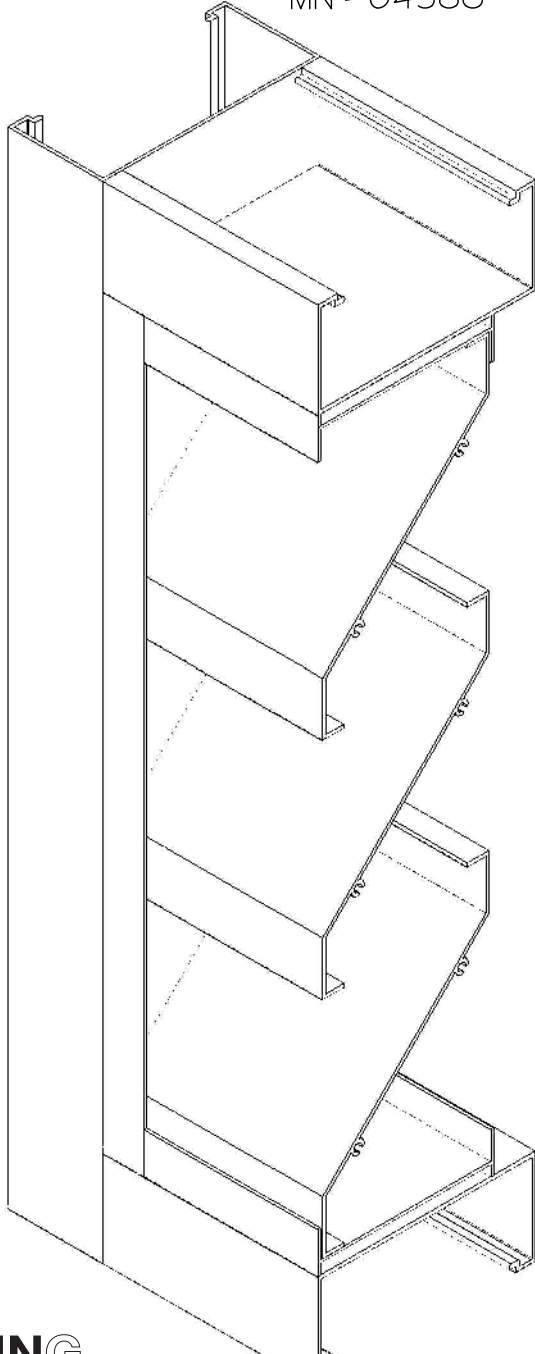
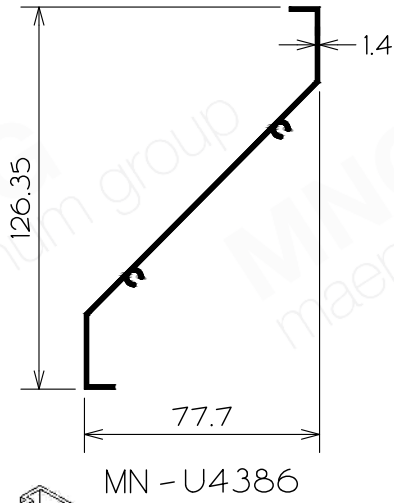
VERTICAL SECTION DETAILS
SCALE 1 : 2.5

MN-U3964 Z-LOUVER



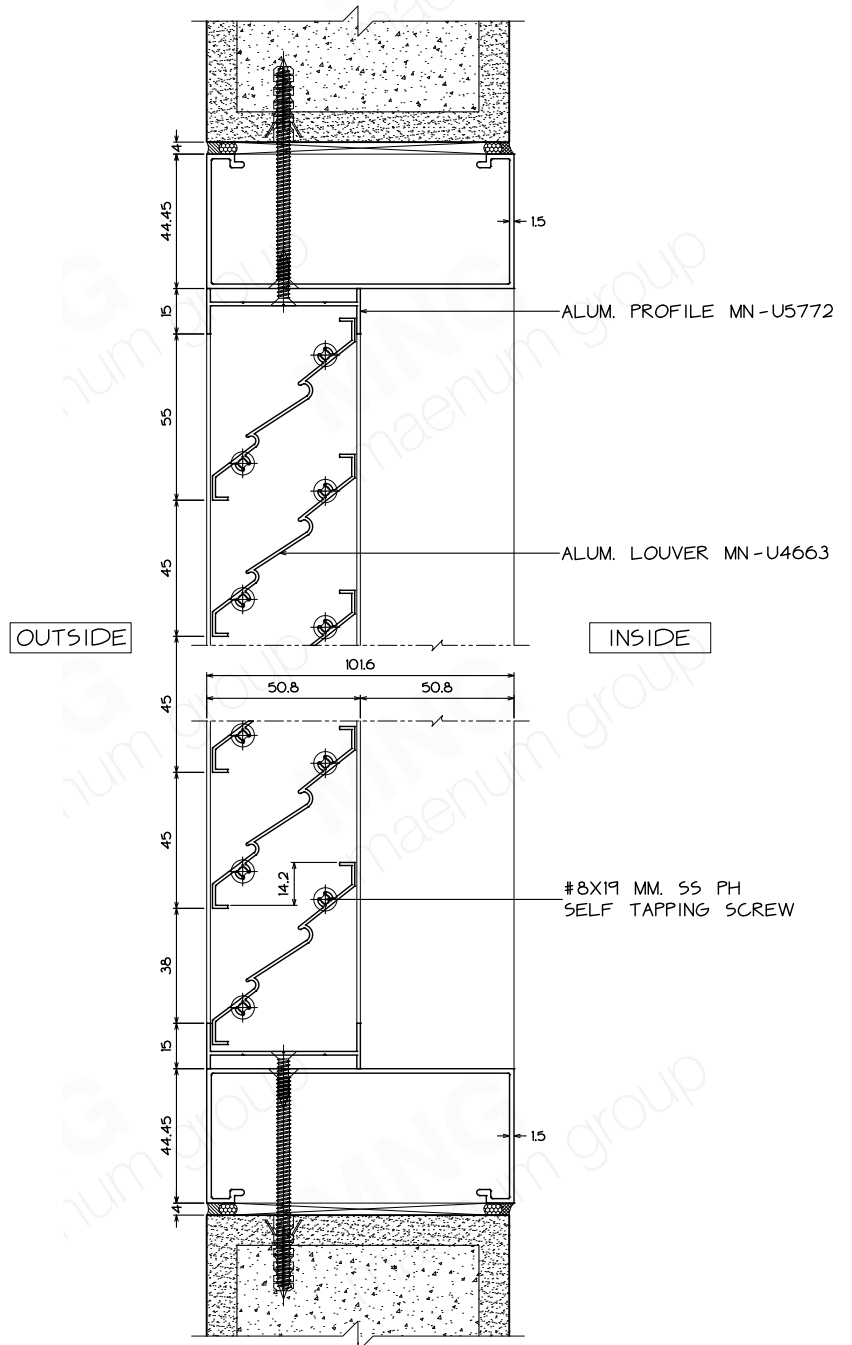
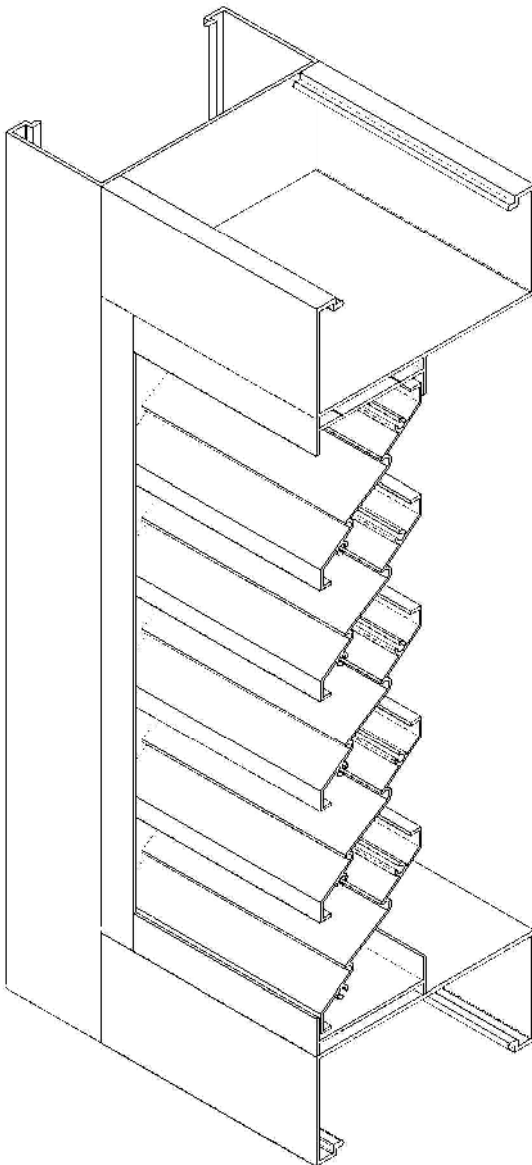
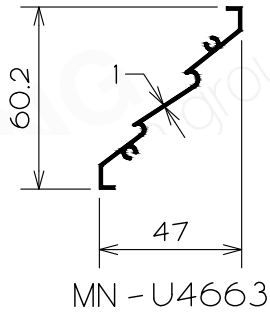
VERTICAL SECTION DETAILS
SCALE 1 : 2.5

MN-U4386 Z-LOUVER



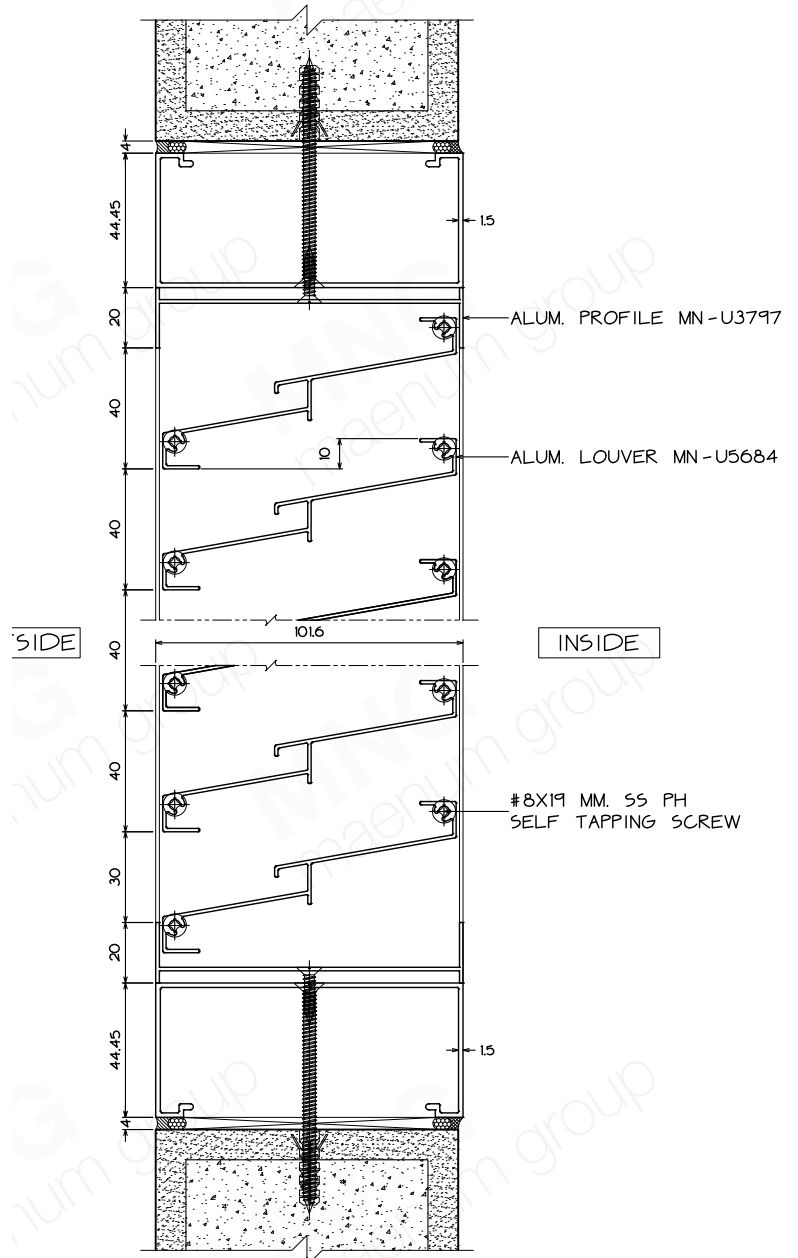
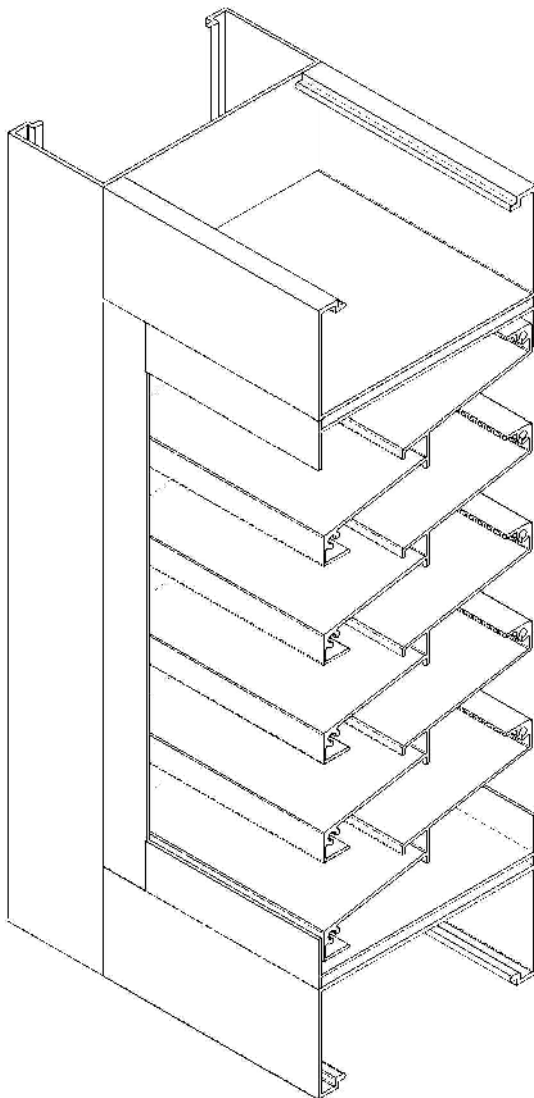
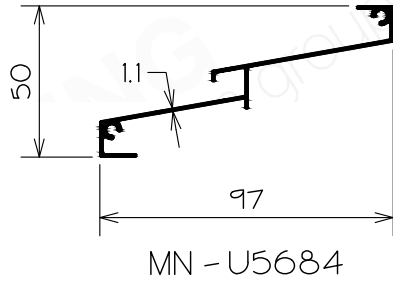
VERTICAL SECTION DETAILS
SCALE 1 : 2.5

MN-U4663 Z-LOUVER



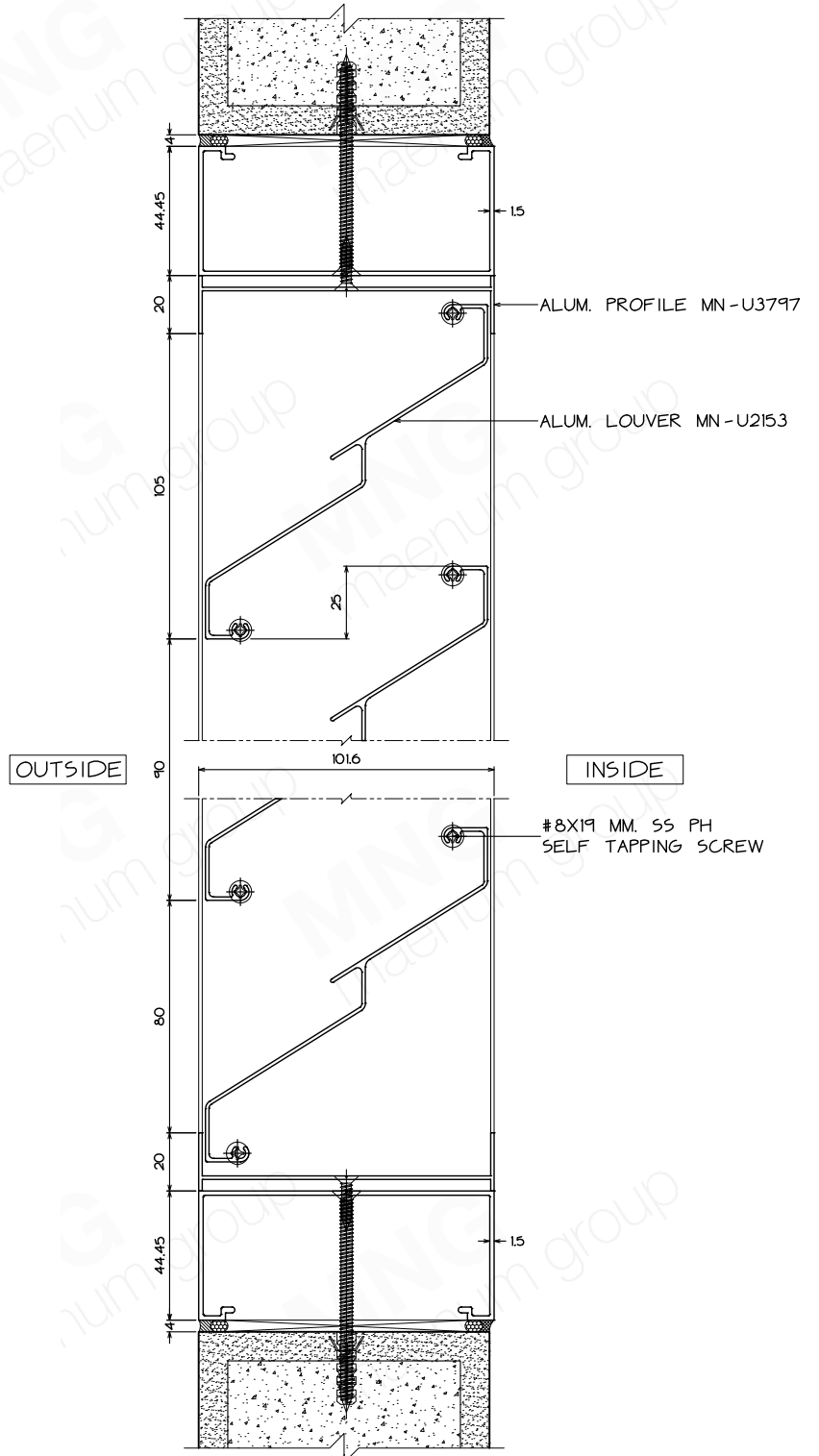
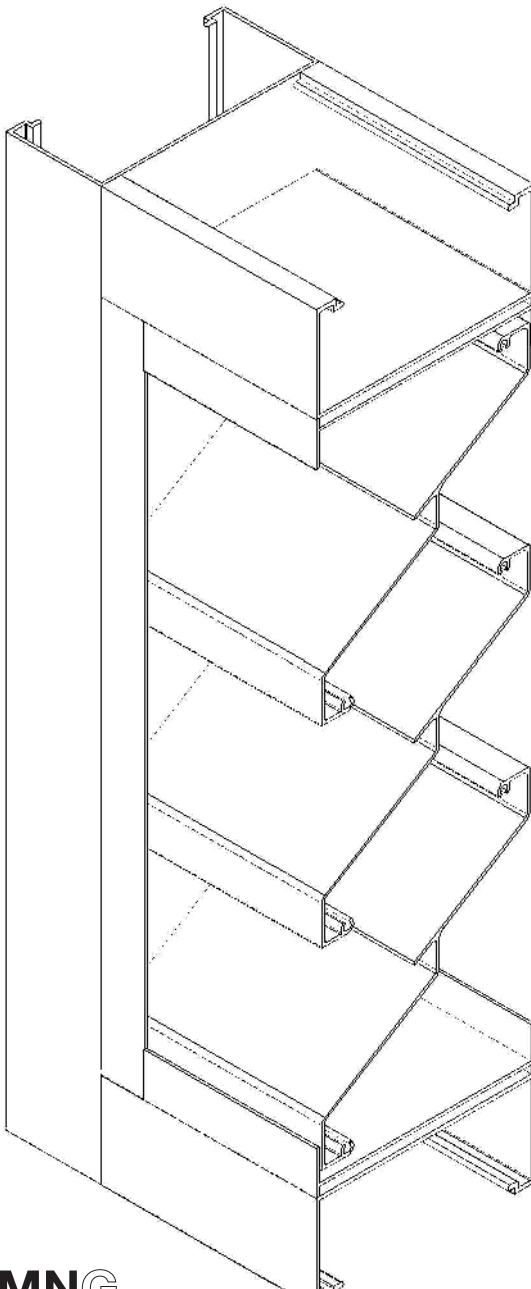
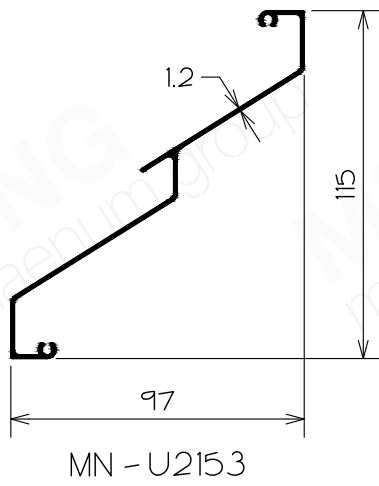
VERTICAL SECTION DETAILS
SCALE 1 : 2.5

MN-U5684 Z-LOUVER



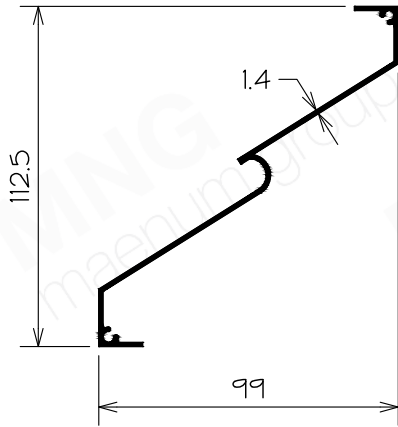
VERTICAL SECTION DETAILS
SCALE 1 : 25

MN-U2153 Z-LOUVER

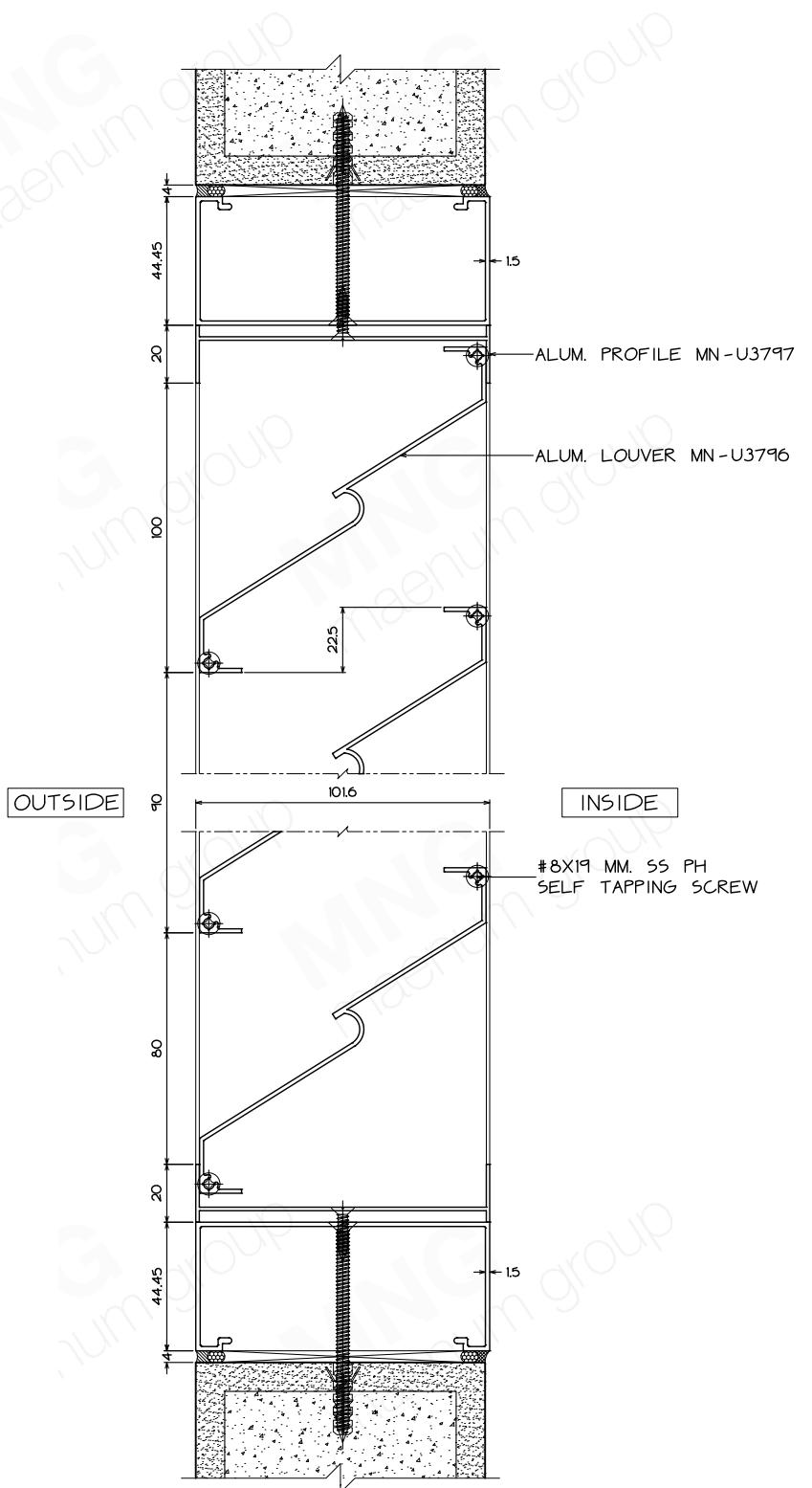
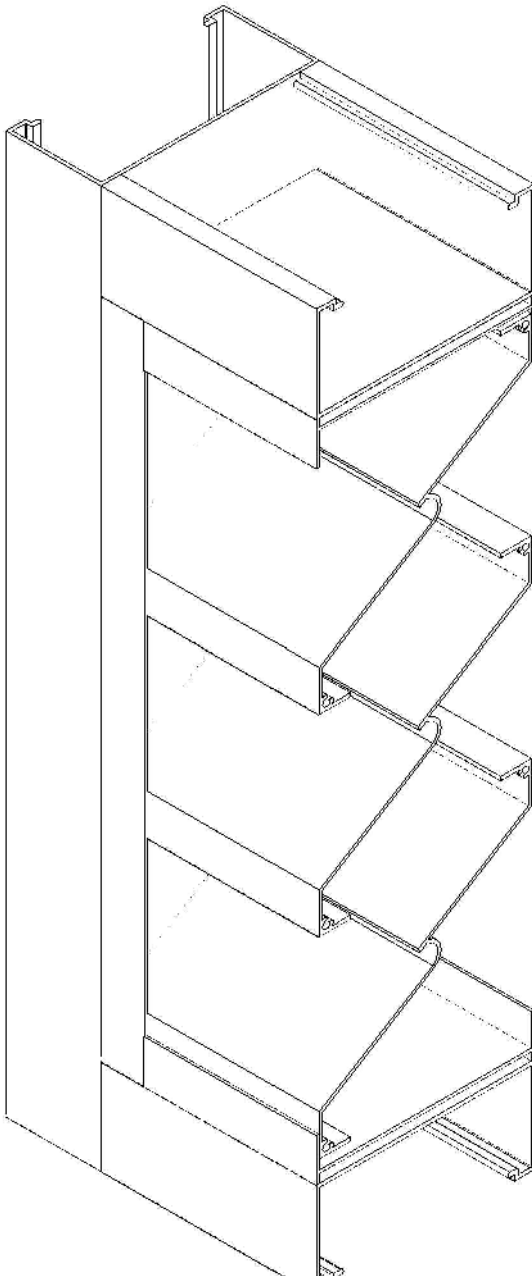


VERTICAL SECTION DETAILS
SCALE 1 : 2.5

MN-U3796 Z-LOUVER

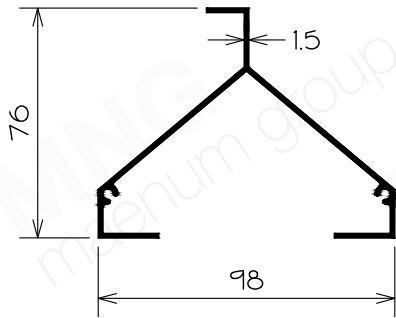


MN-U3796

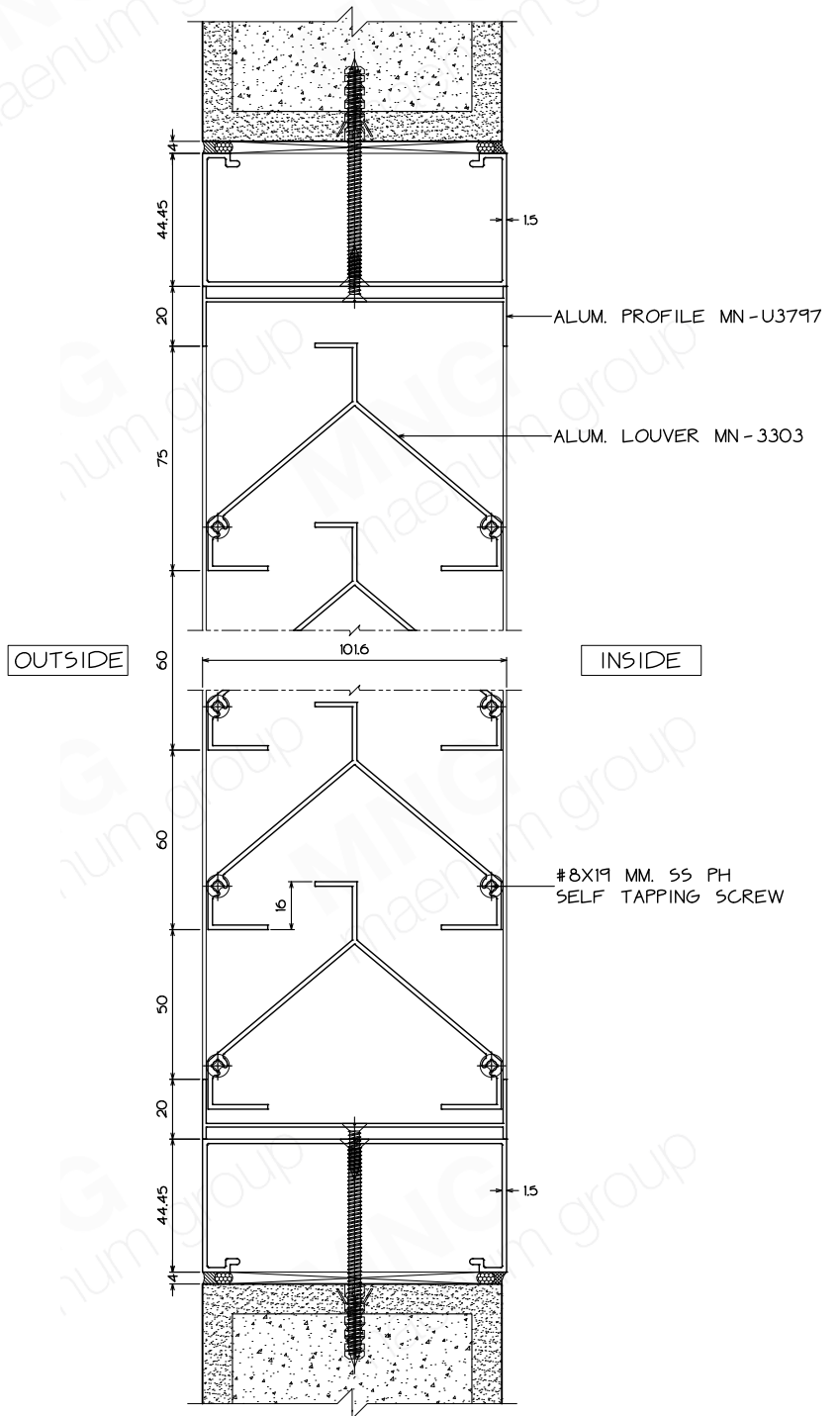
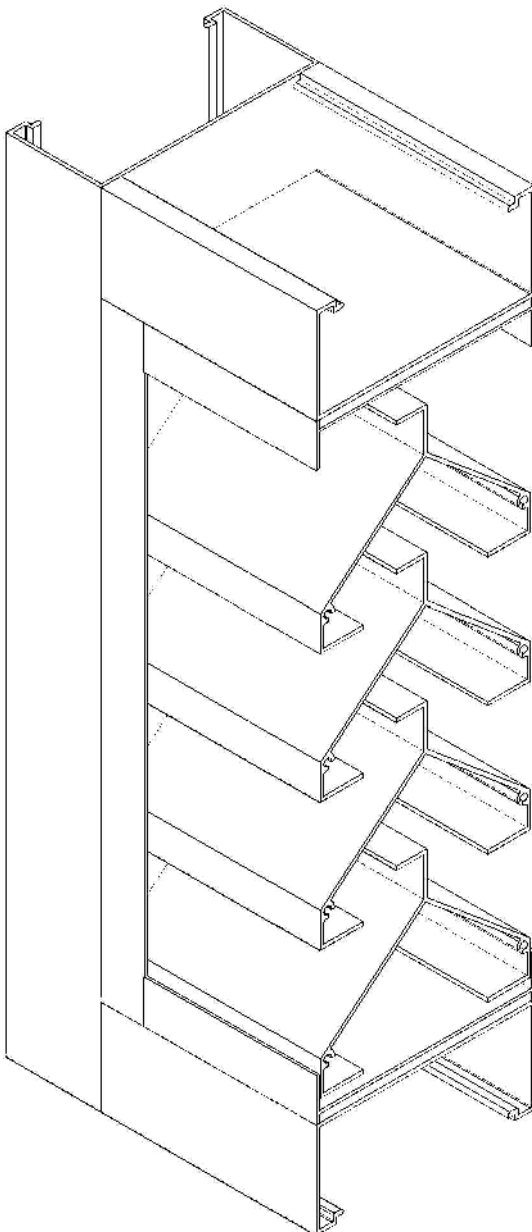


VERTICAL SECTION DETAILS
SCALE 1 : 2.5

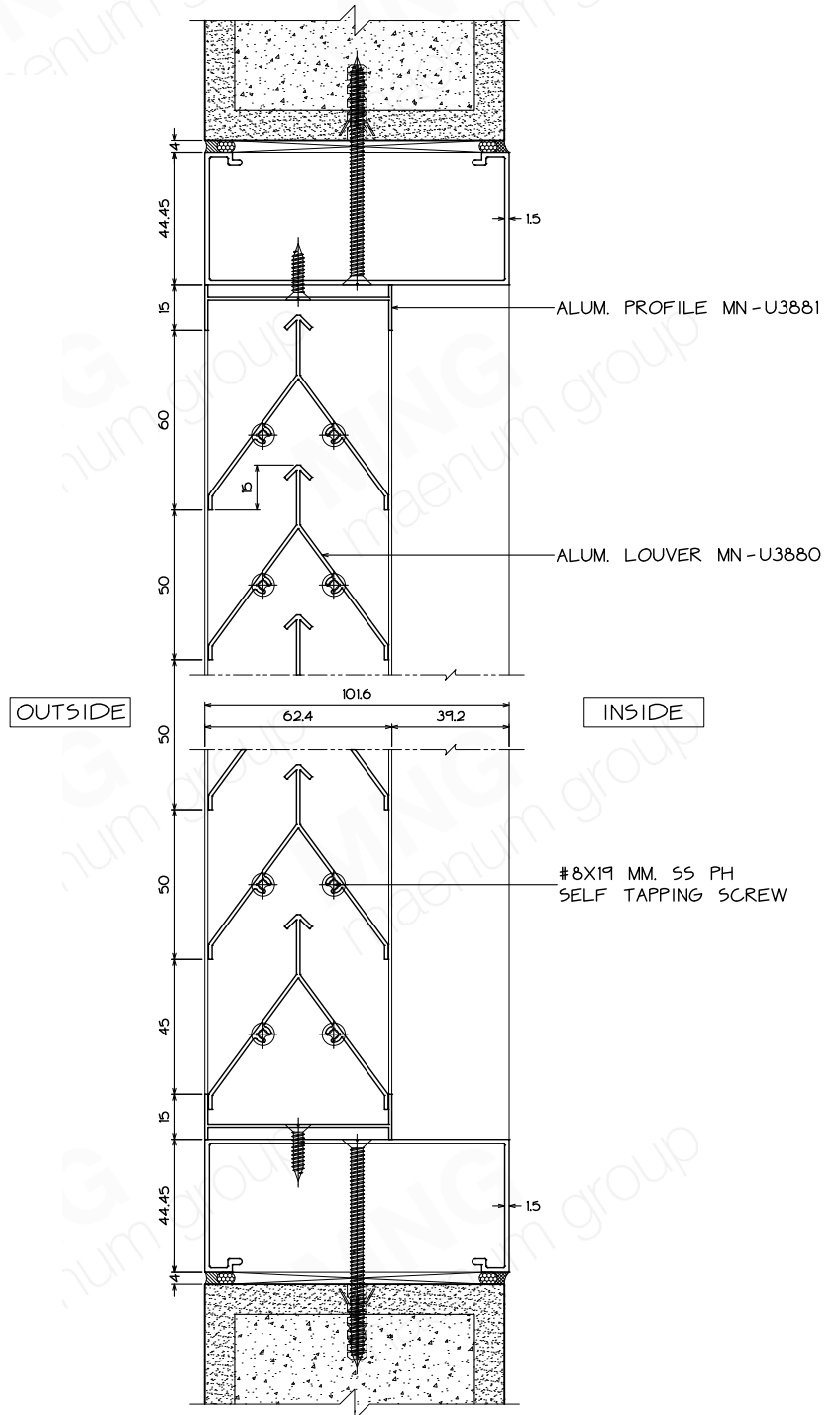
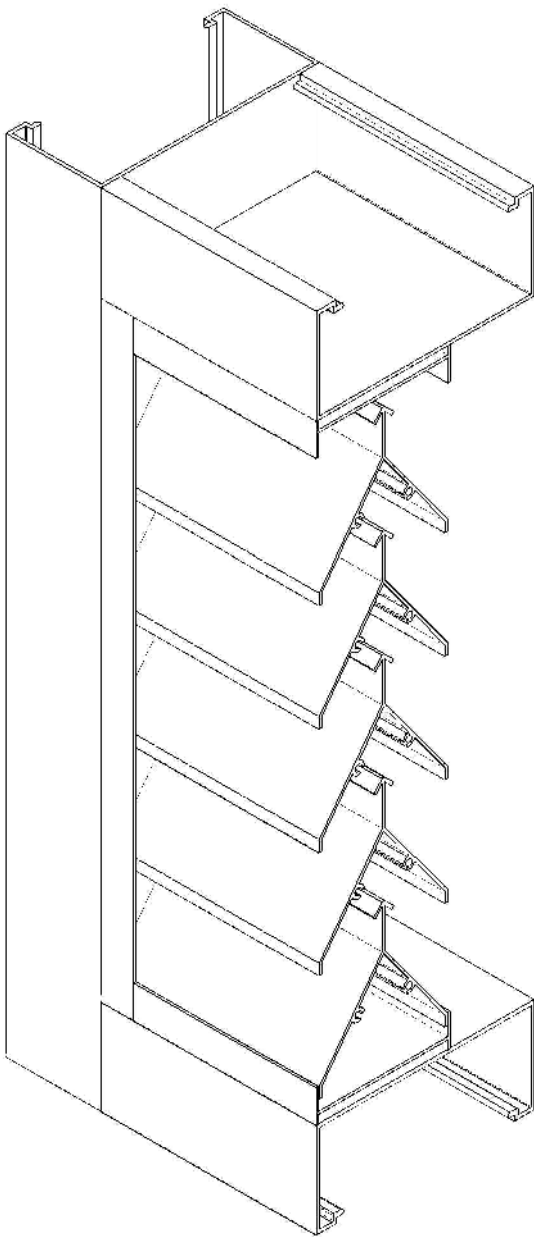
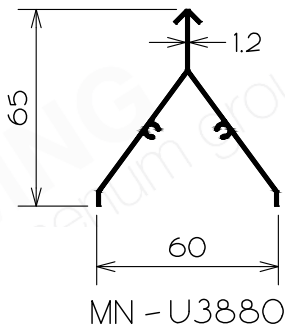
MN-U3303 LOUVER



MN - U3303



VERTICAL SECTION DETAILS
SCALE 1 : 2.5



VERTICAL SECTION DETAILS
SCALE 1 : 2.5

MNG
maenum group

MNG
maenum group

MNG
maenum group

MNG
maenum group

MNG
maenum group

MNG
maenum group

TYPE 3

ALUMINIUM SNAP - ON LOUVER

MNG
maenum group

MNG
maenum group

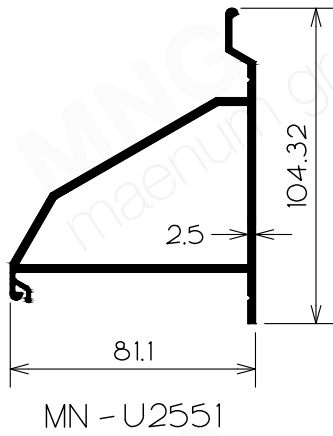
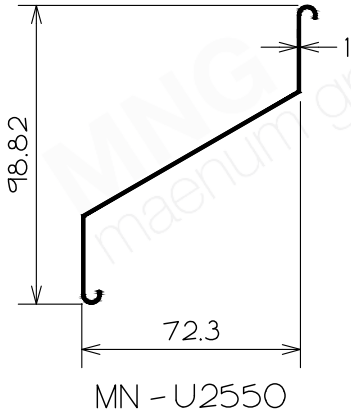
MNG
maenum group

MNG
maenum group

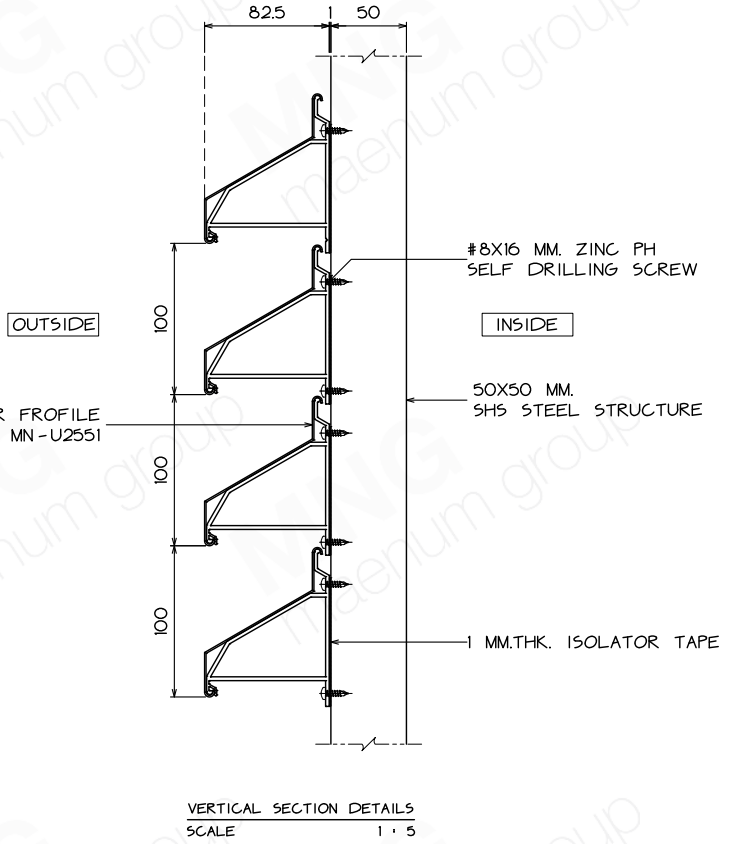
MNG
maenum group

MNG
maenum group

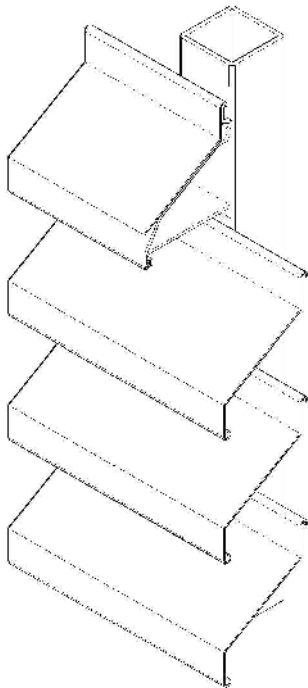
MN-U2550 HORIZONTAL SNAP-ON LOUVER



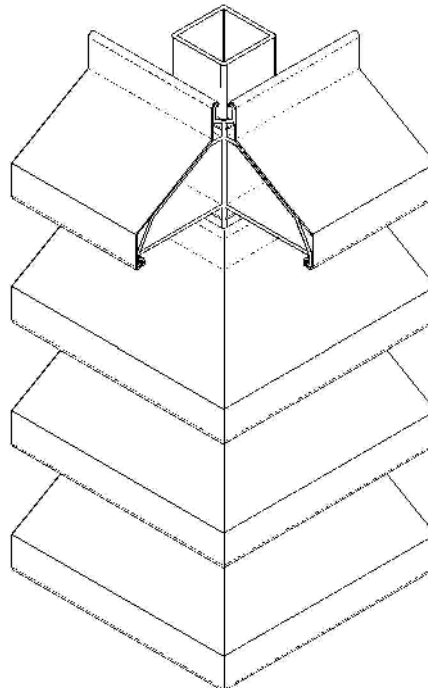
ALUM. LOUVER PROFILE
MN-U2550 + MN-U2551



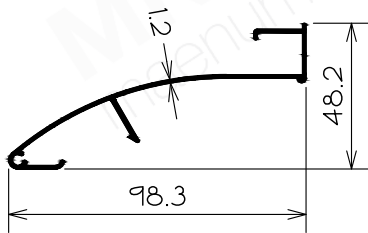
LINEAR



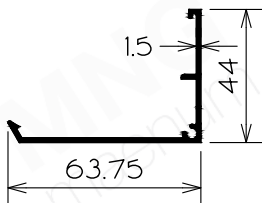
CORNER



MN-U5382 HORIZONTAL SNAP-ON LOUVER



MN - U5382

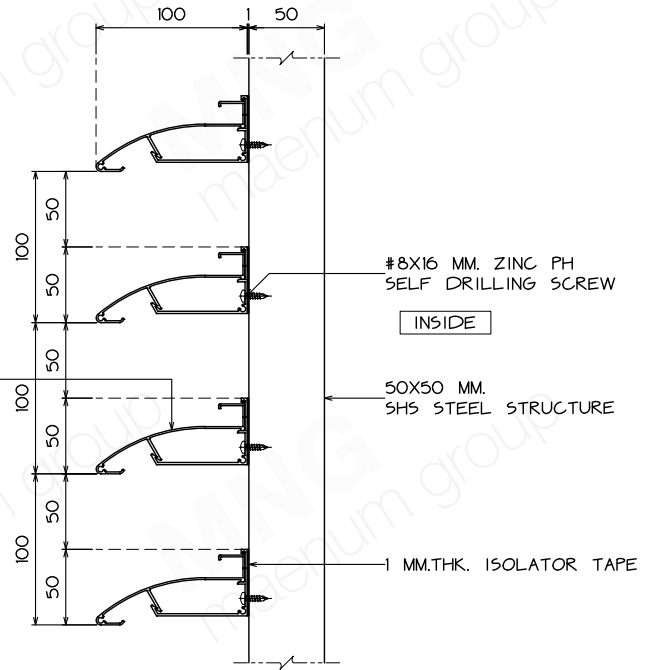


MN - U5383

ALUM. LOUVER PROFILE
MN-U5382 + MN-U5383

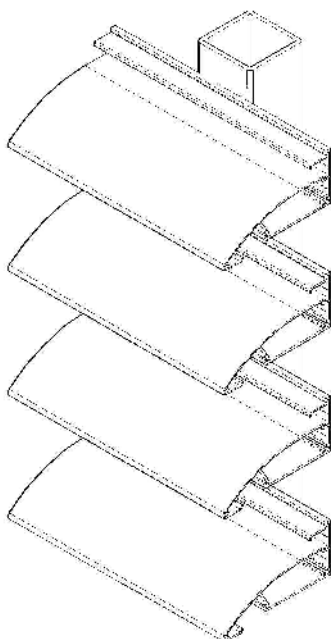
OUTSIDE

INSIDE

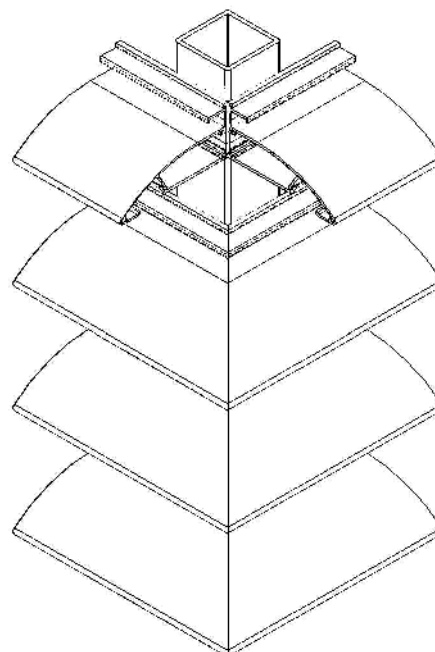


VERTICAL SECTION DETAILS
SCALE 1 : 5

LINEAR



CORNER



MNG
maenum group

MNG
maenum group

MNG
maenum group

MNG
maenum group

MNG
maenum group

MNG
maenum group

TYPE 4

ALUMINIUM ELLIPSE LOUVER

MNG
maenum group

MNG
maenum group

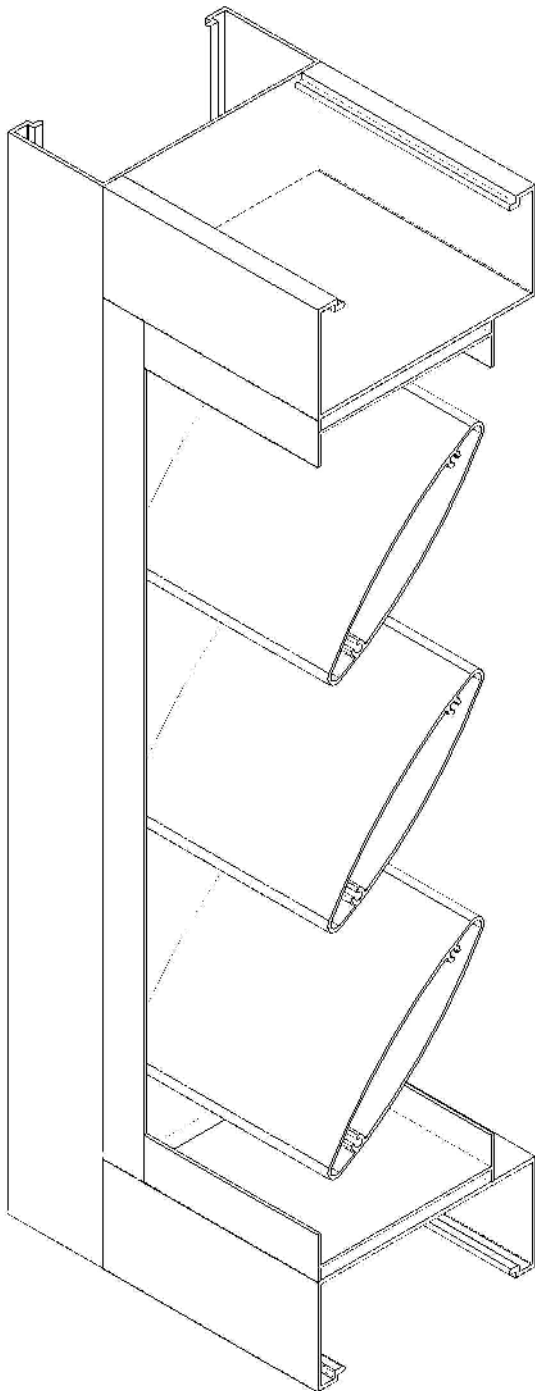
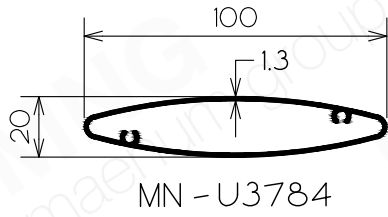
MNG
maenum group

MNG
maenum group

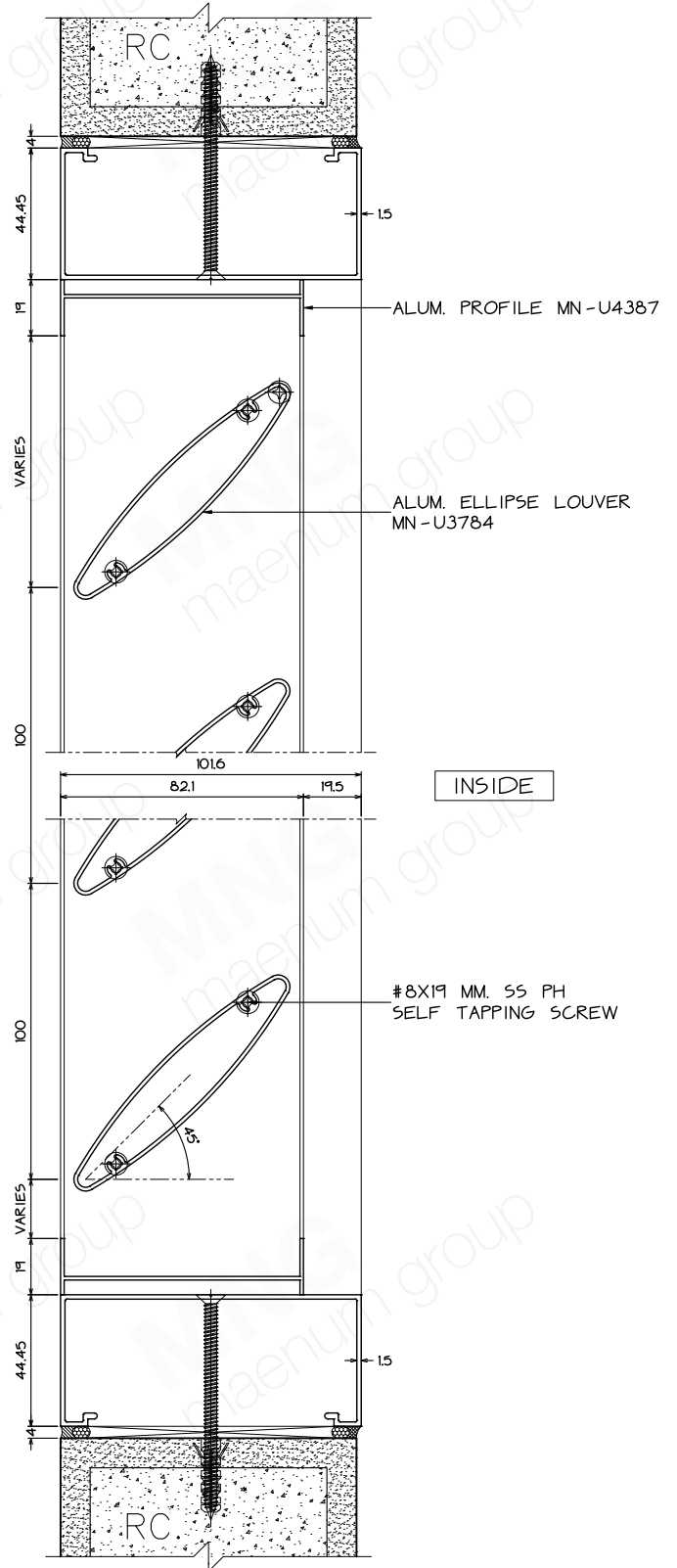
MNG
maenum group

MNG
maenum group

MN-U3784 ELLIPSE LOUVER



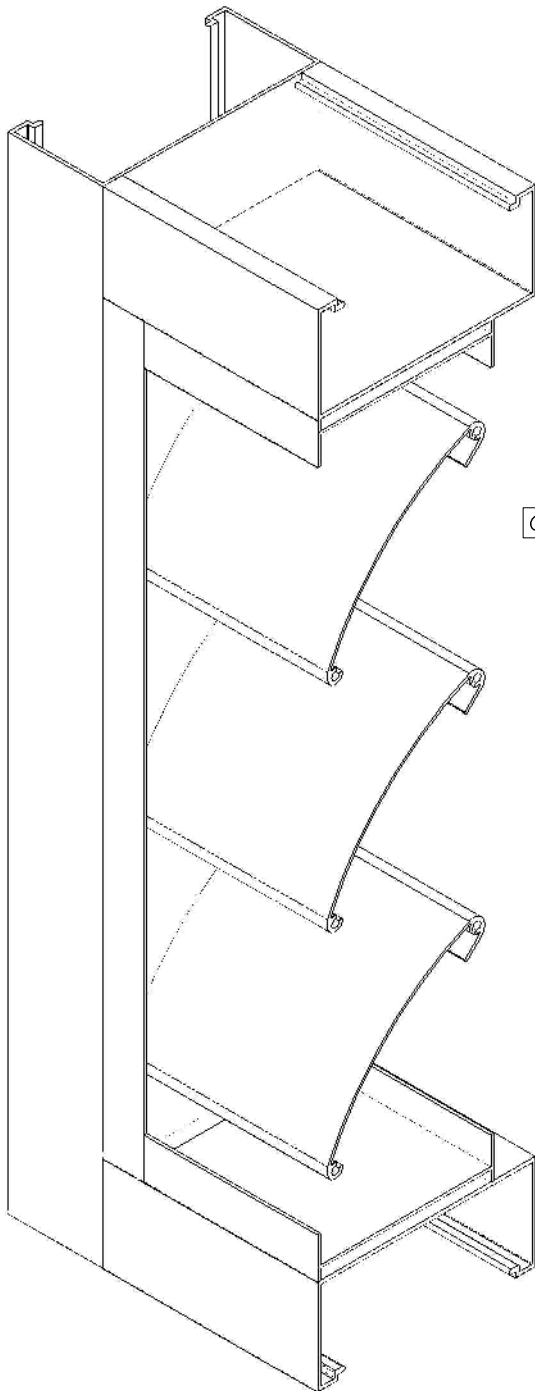
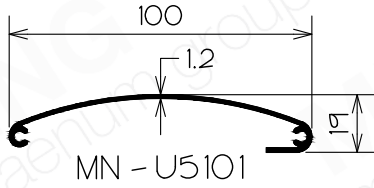
OUTSIDE



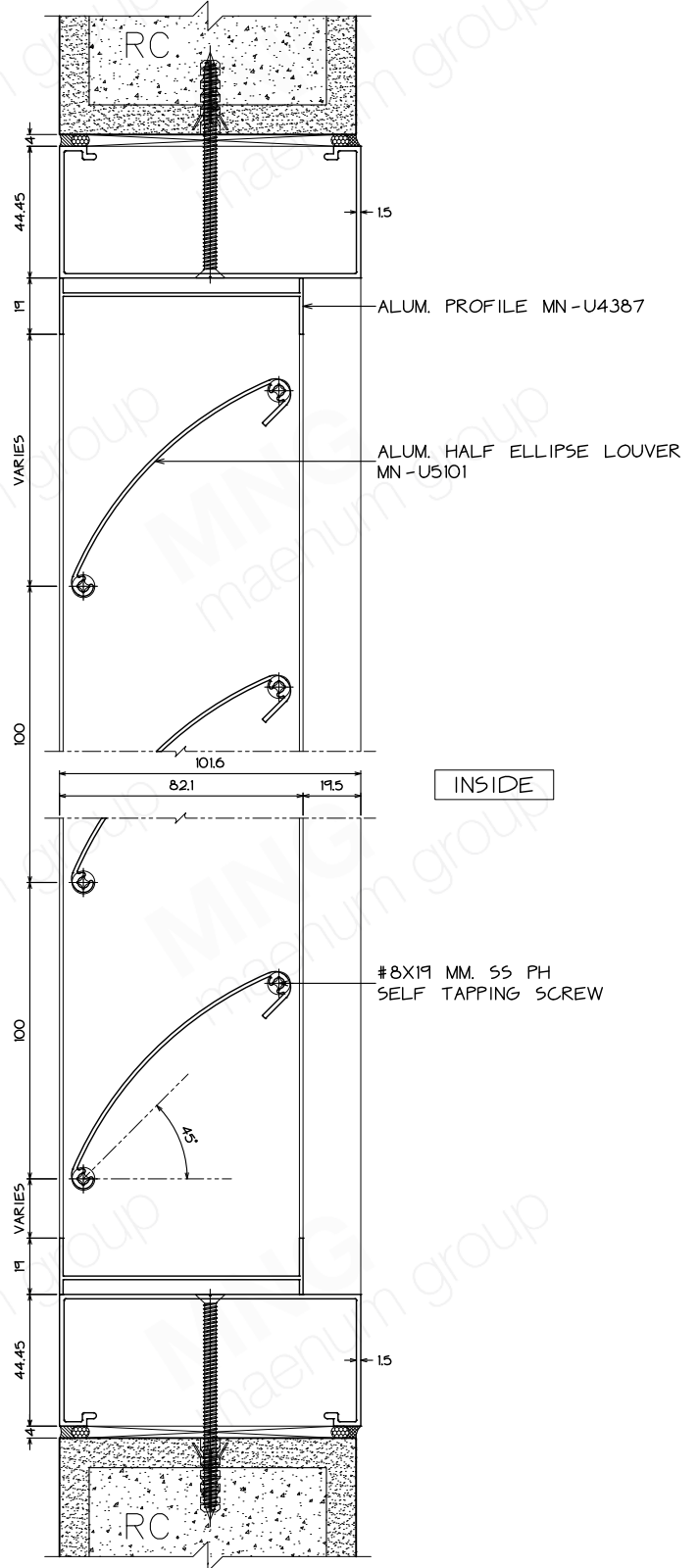
INSIDE

VERTICAL SECTION DETAILS
SCALE 1 : 2.5

MN-U5101 HALF ELLIPSE LOUVER

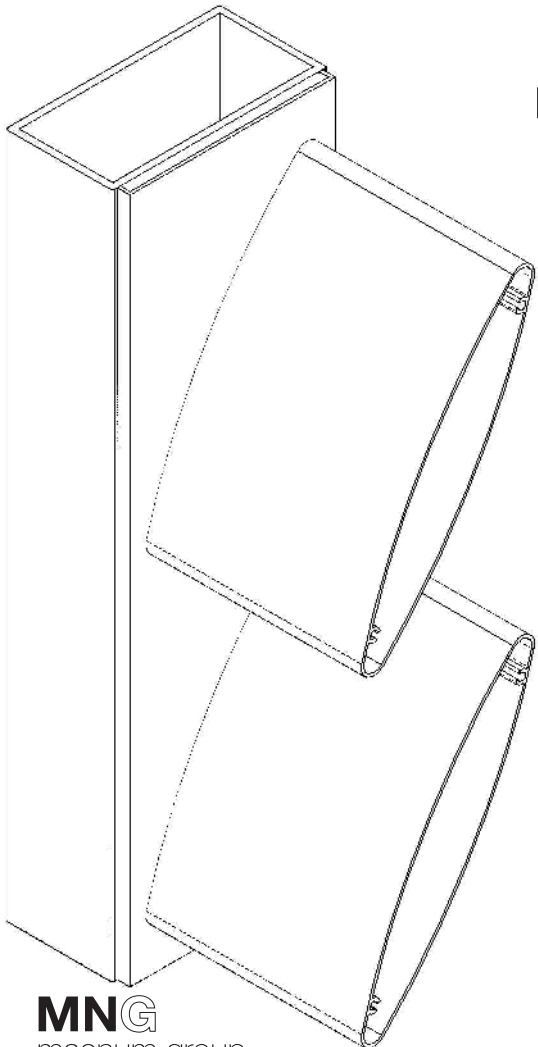
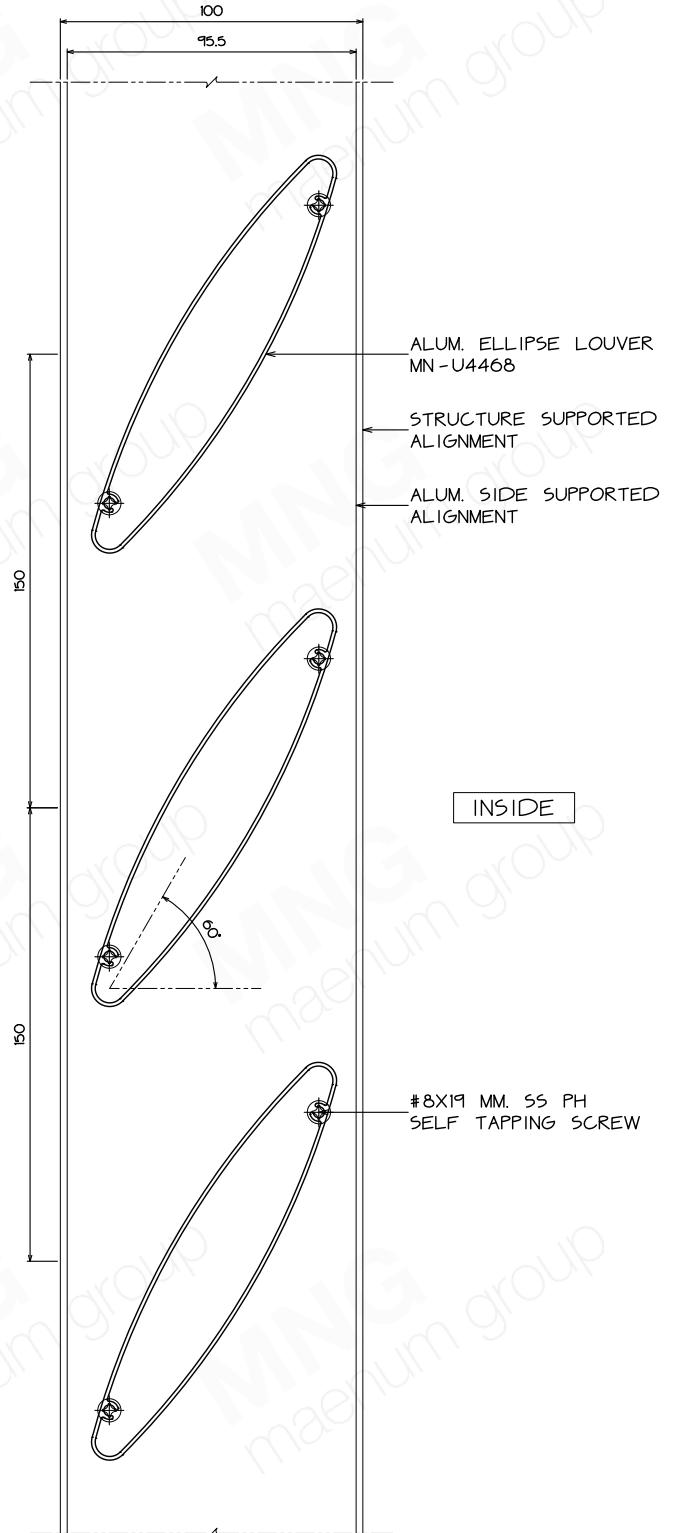
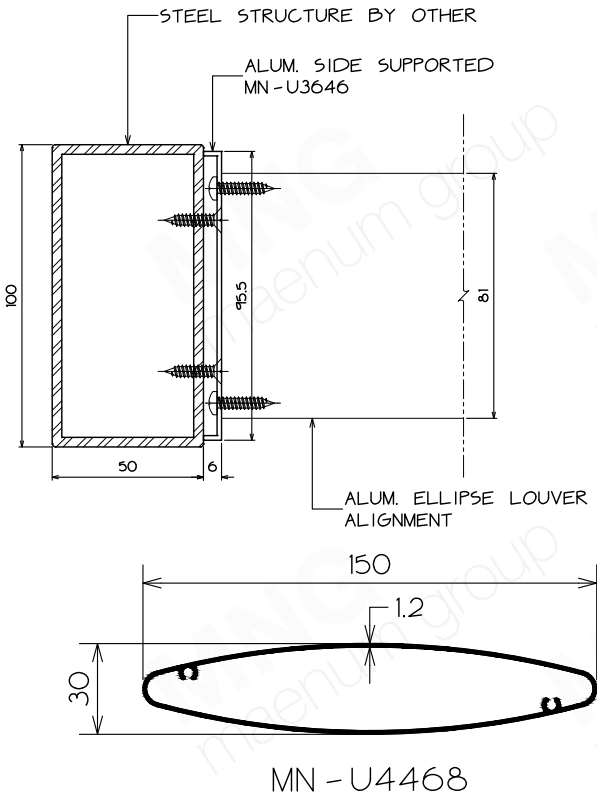


OUTSIDE



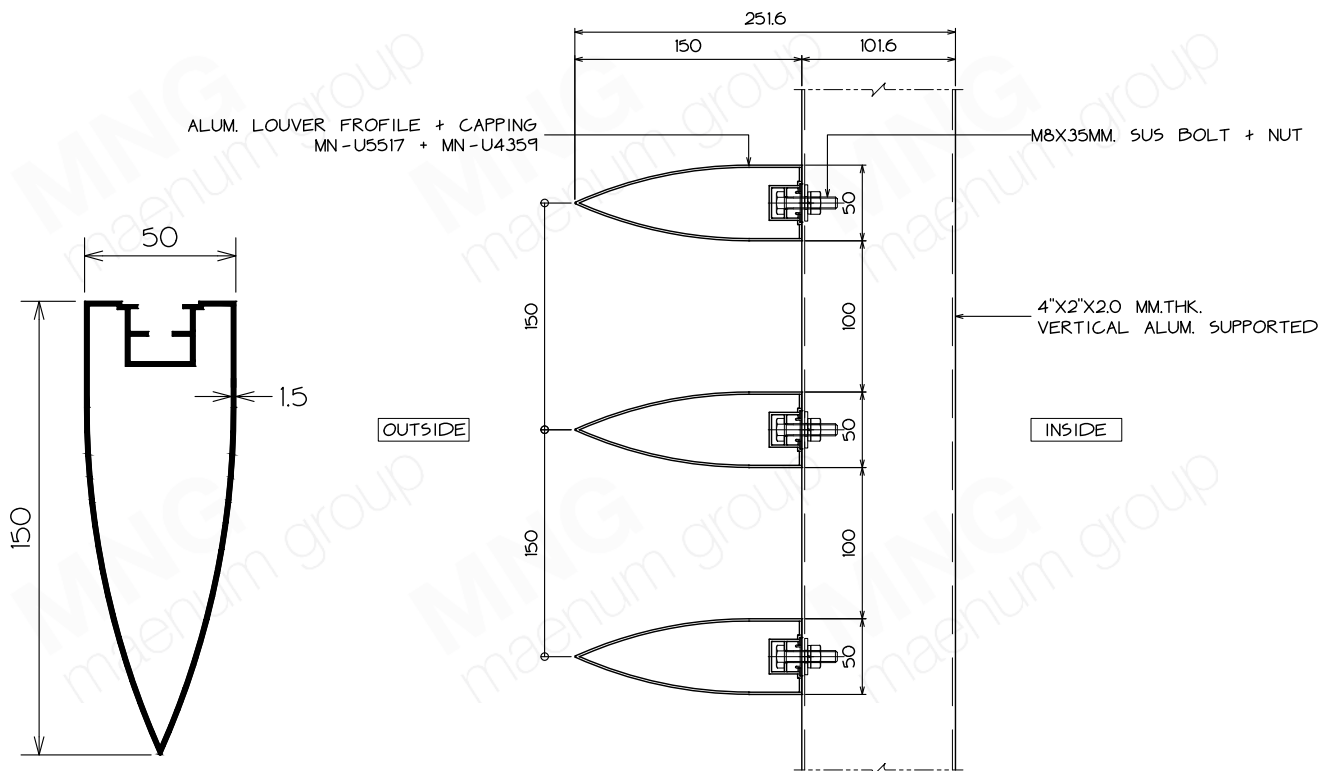
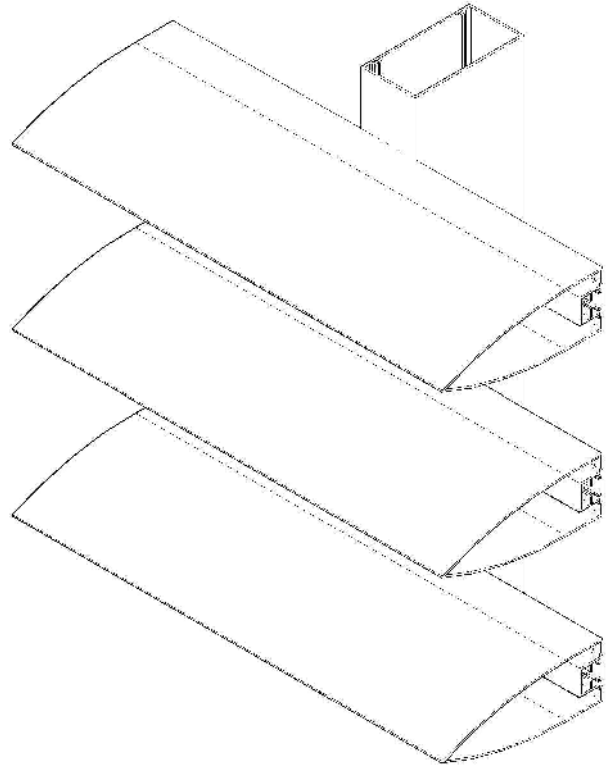
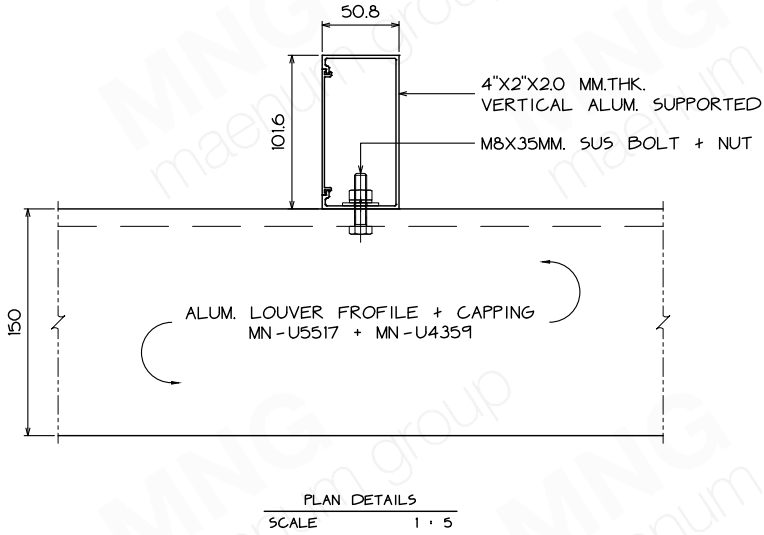
VERTICAL SECTION DETAILS
SCALE 1 : 2.5

MN-U4468 ELLIPSE LOUVER



VERTICAL SECTION DETAILS
SCALE 1 : 2.5

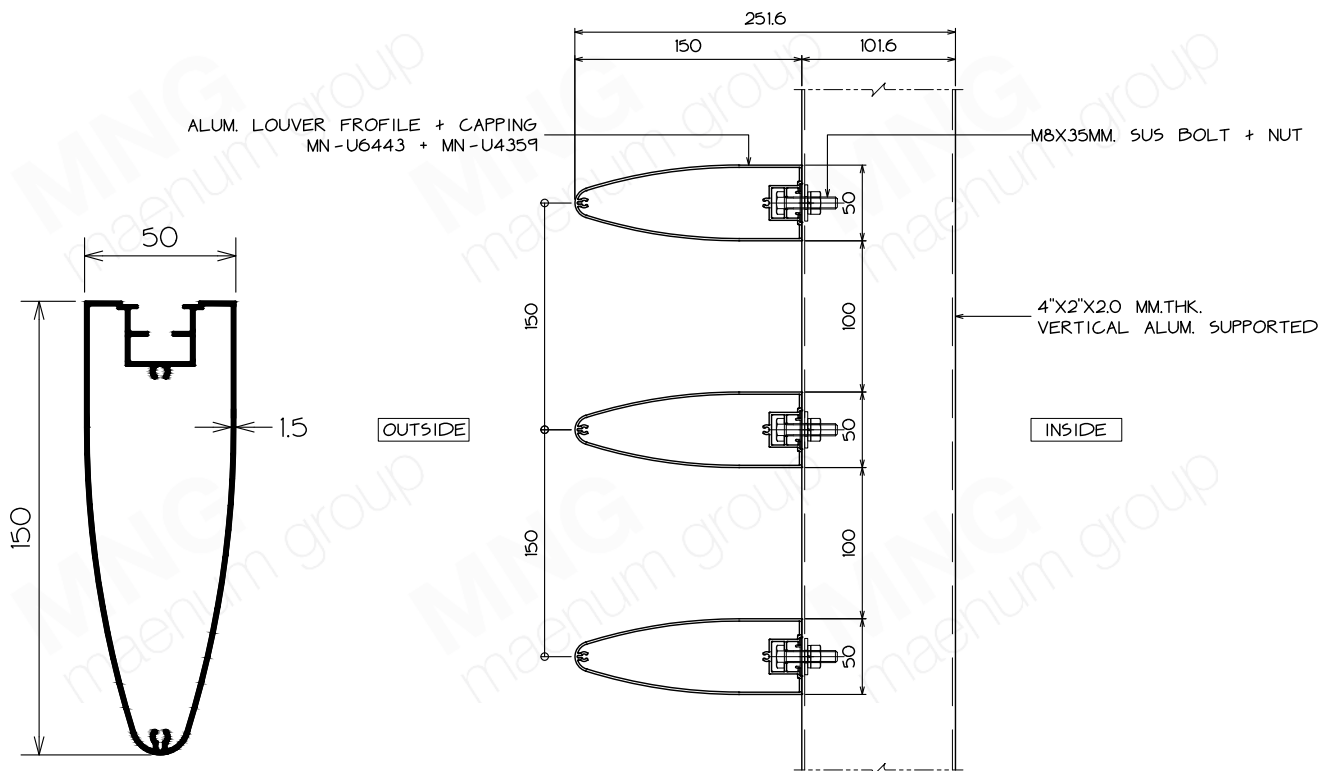
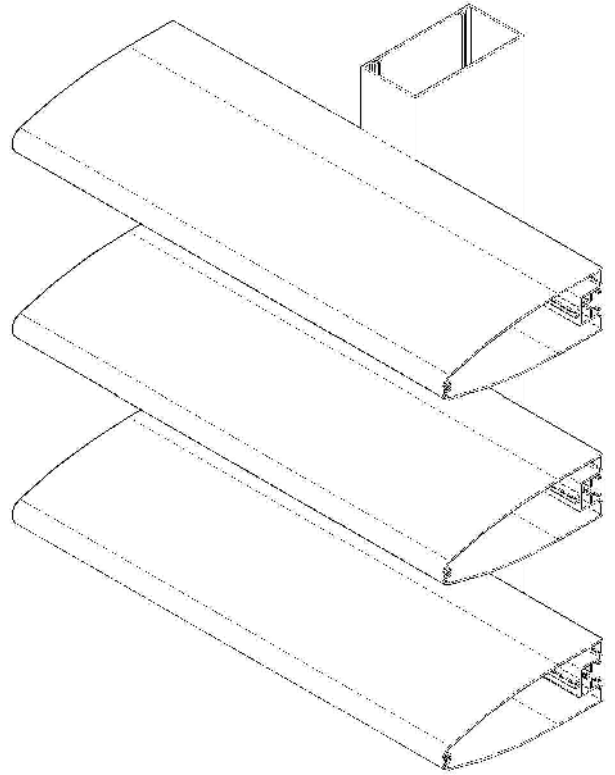
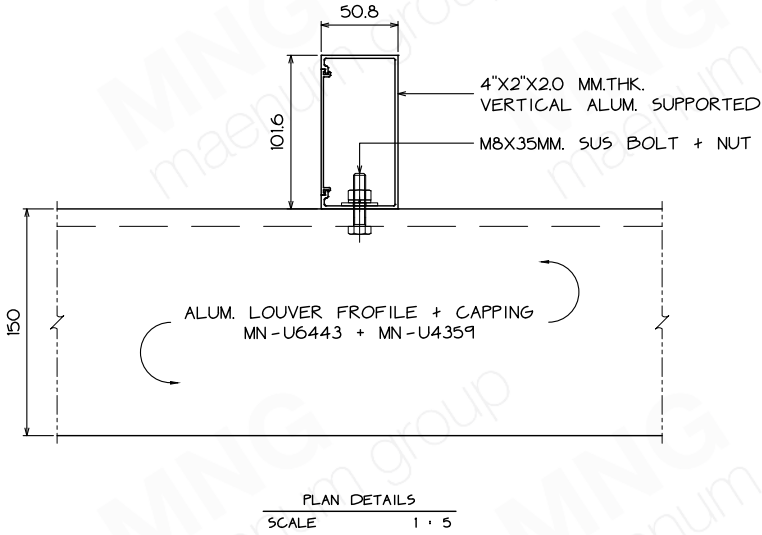
MN-U5517 HORIZONTAL LOUVER



MN-U5517

VERTICAL SECTION DETAILS
SCALE 1 : 5

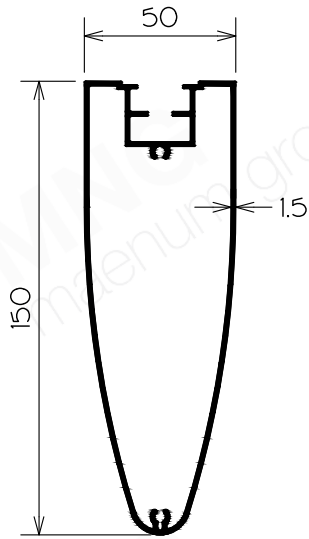
MN-U6443 HORIZONTAL LOUVER



MN-U6443

VERTICAL SECTION DETAILS
SCALE 1 : 5

MN-U6443 (300X50) HORIZONTAL LOUVER

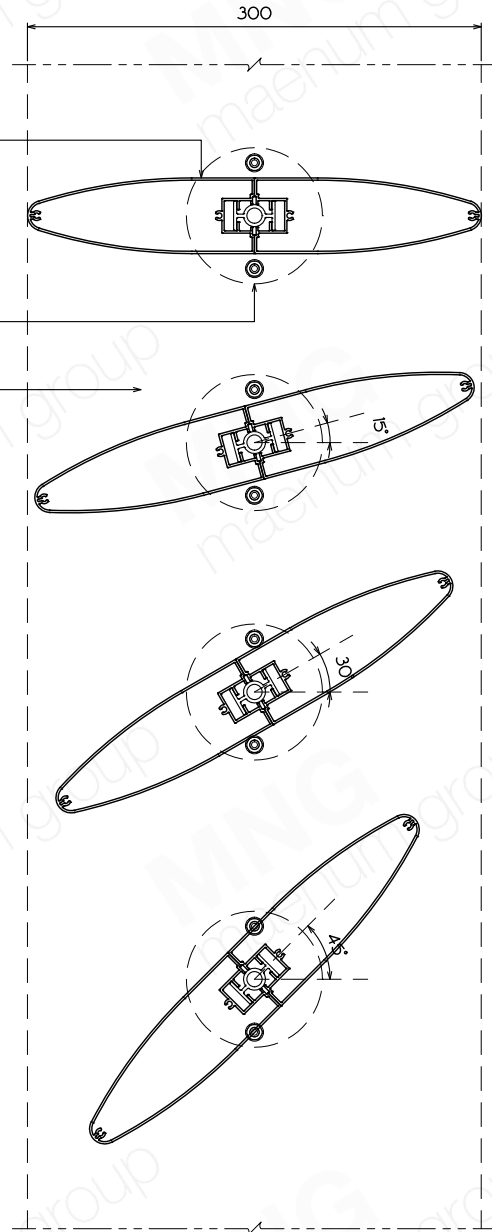
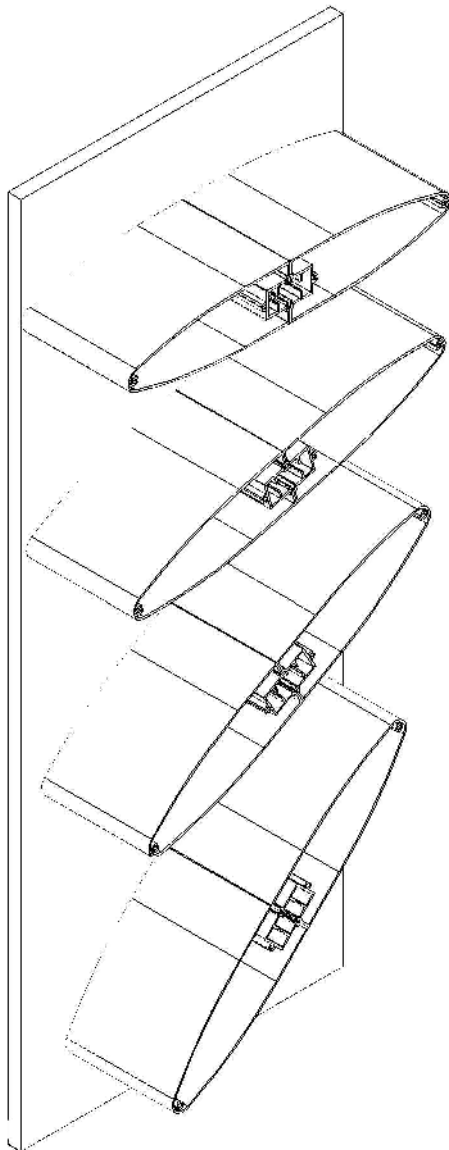


MN-U5517A

ALUM. LOUVER PROFILE
MN-U6443 (COMBIND)

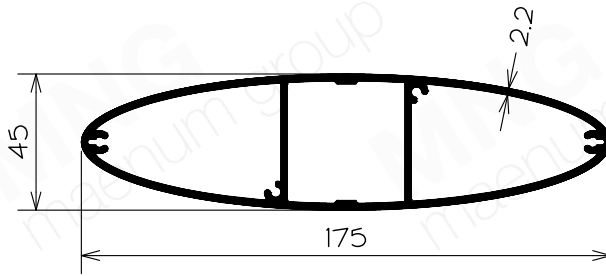
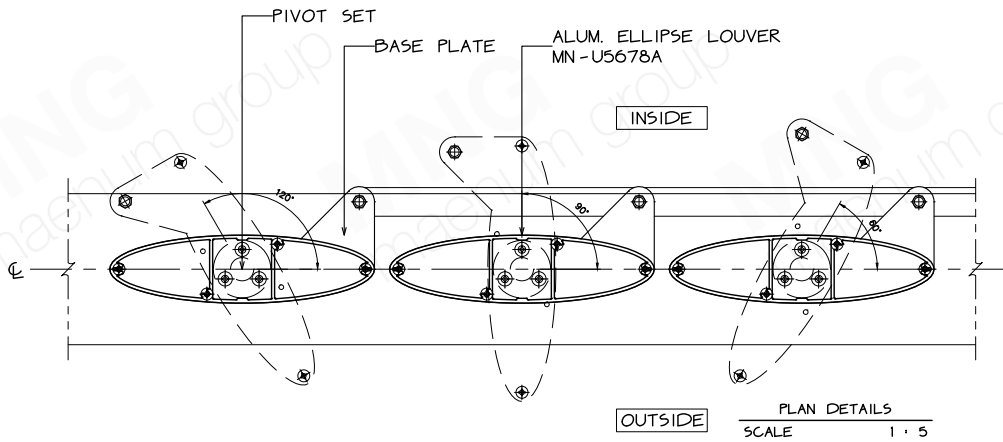
ROTATION FIXING PLATE

VERTICAL SIDING STRUCTURE

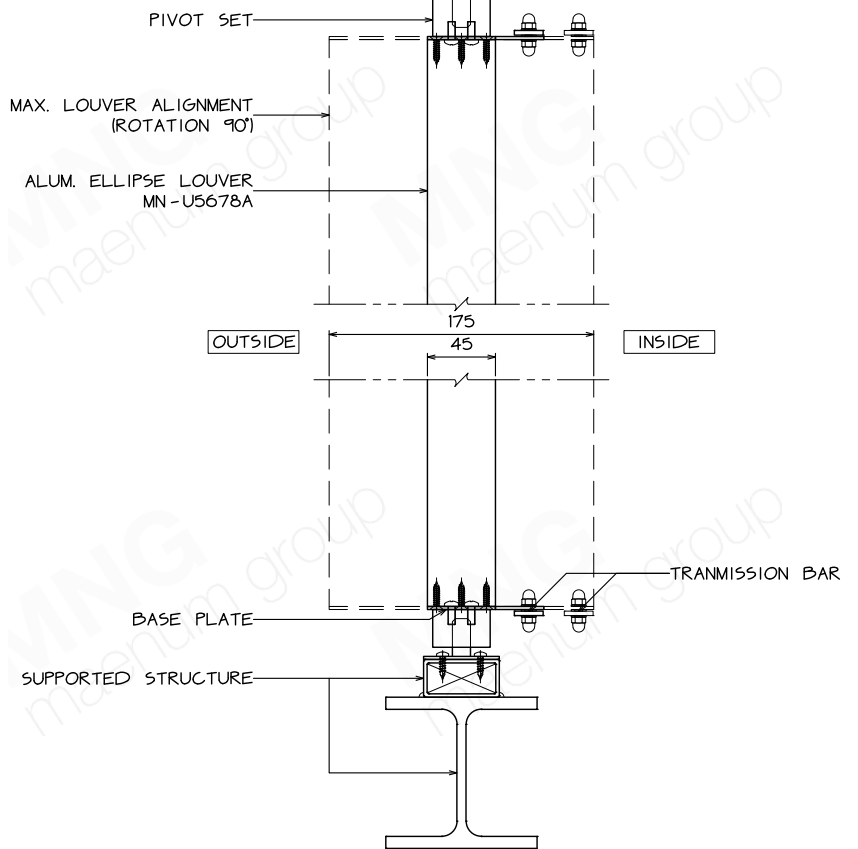
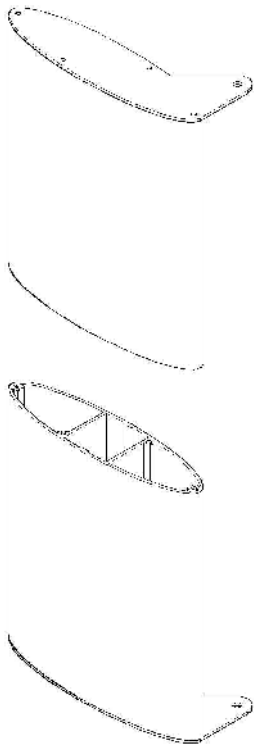


VERTICAL SECTION DETAILS
SCALE 1 : 5

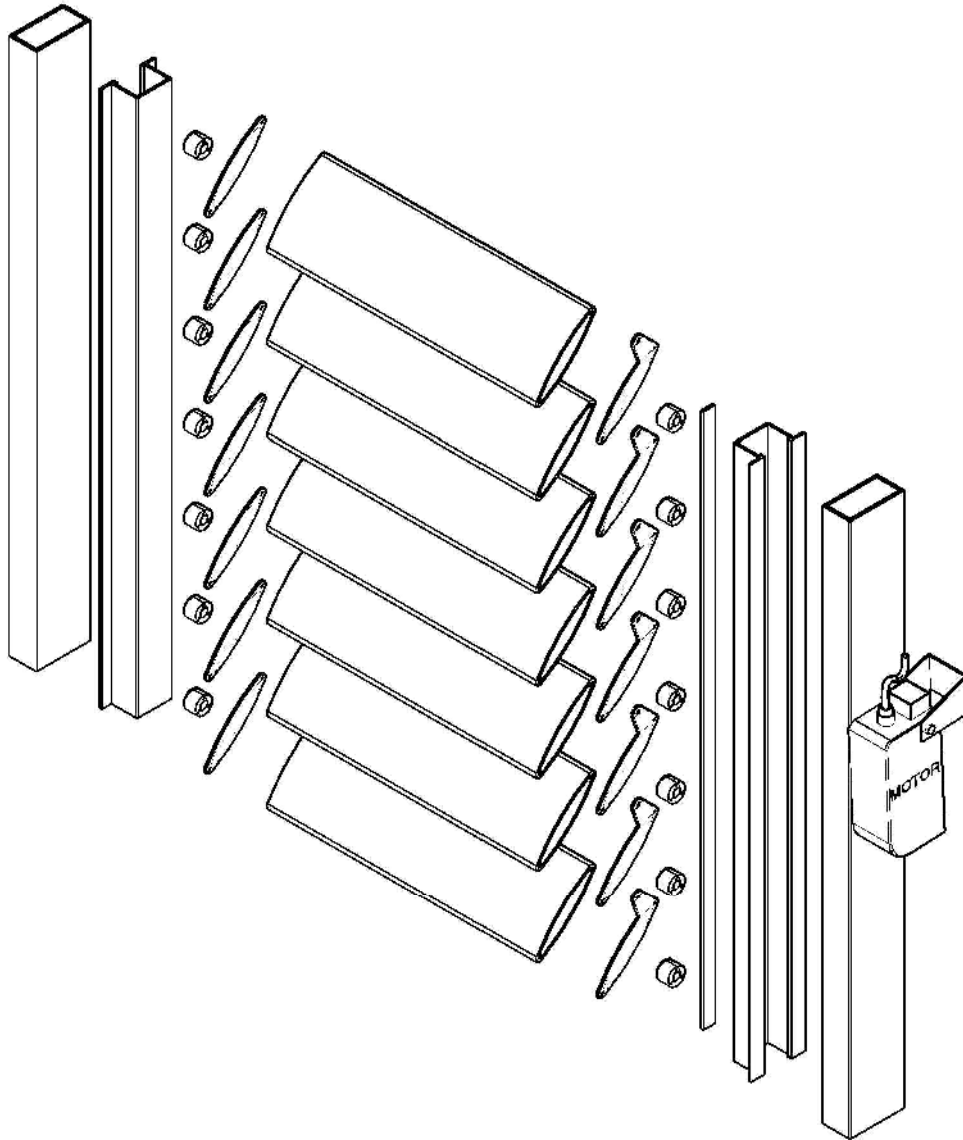
MN-U5678A (175X45) VERTICAL ADJUSTMENT LOUVER



MN - U5678A



SUN SHADING LOUVER
(ELECTRIC CONTROL SYSTEM)



- Extruded aluminium profiles up to 3m long
- Fixed or movable version (Max.rotating angle is 110°)
- Variable pitch
- Horizontal or vertical installation
- A fully rustproof system
- Available in all RAL color
- Aluminium width 150 mm
- Aluminium louver design can provide more convenient
- Lock fore closing status are strengthen airproof and waterproof or aluminium louver system

MNG
maenum group

MNG
maenum group

MNG
maenum group

MNG
maenum group

MNG
maenum group

MNG
maenum group

TYPE 5

ALUMINIUM LINEAR LOUVER

ALUMINIUM LINEAR CEILING

MNG
maenum group

MNG
maenum group

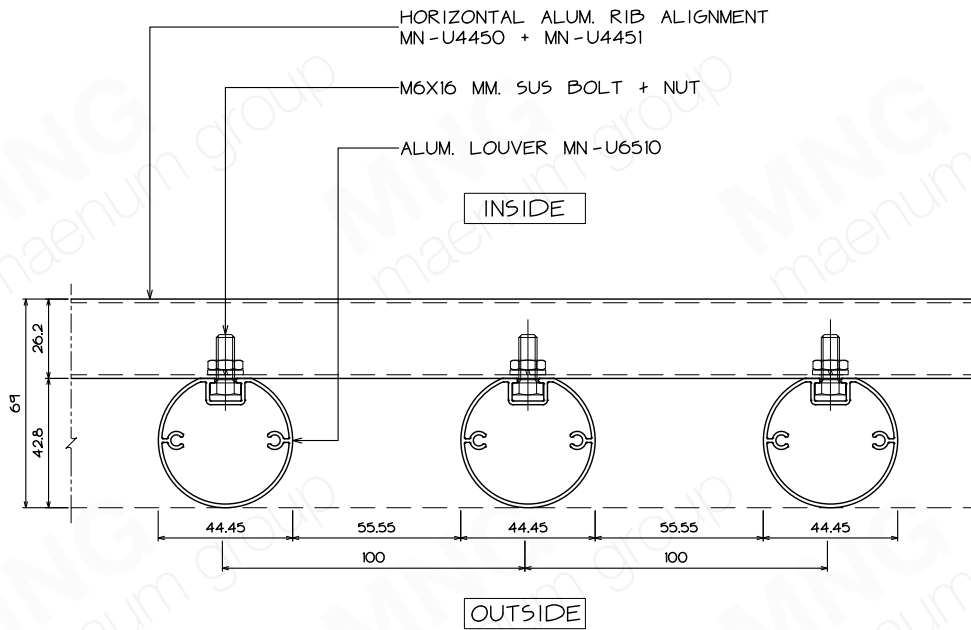
MNG
maenum group

MNG
maenum group

MNG
maenum group

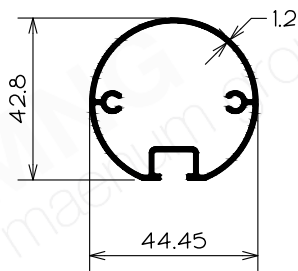
MNG
maenum group

MN-U6510 LINEAR LOUVER & CEILING

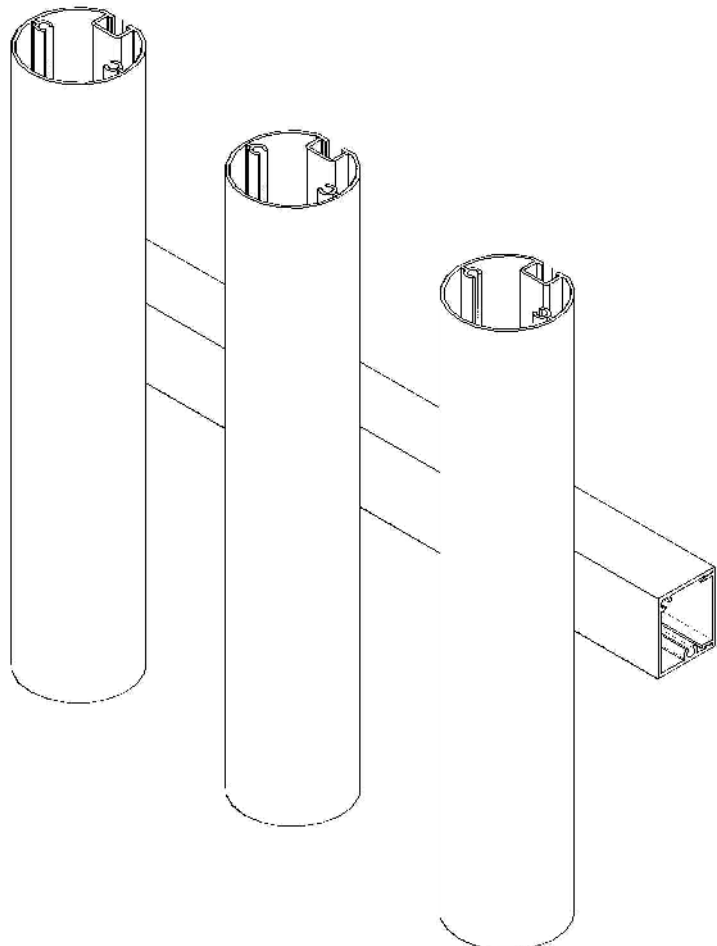


PLAN DETAILS

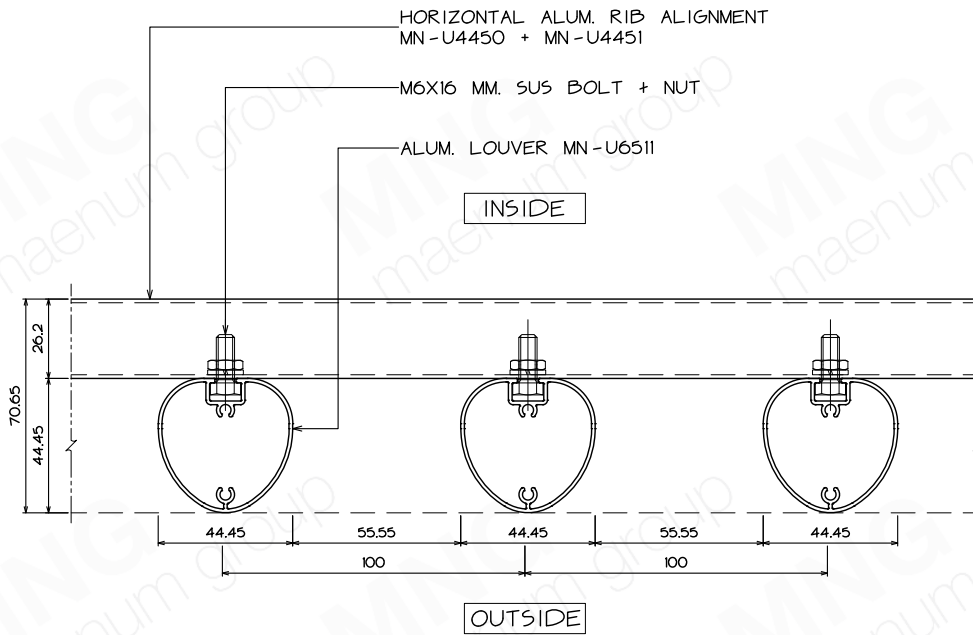
SCALE 1 : 2.5



MN - U6510

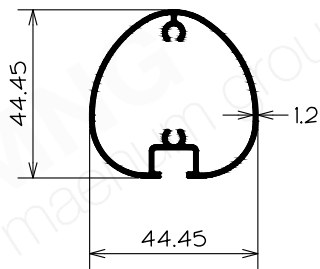


MN-U6511 LINEAR LOUVER & CEILING

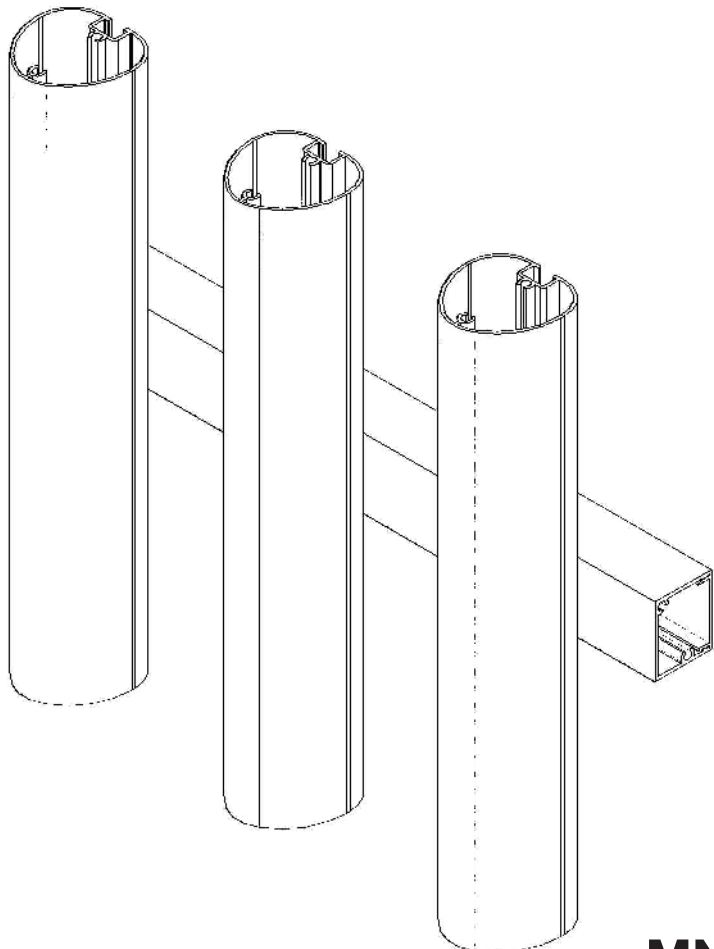


PLAN DETAILS

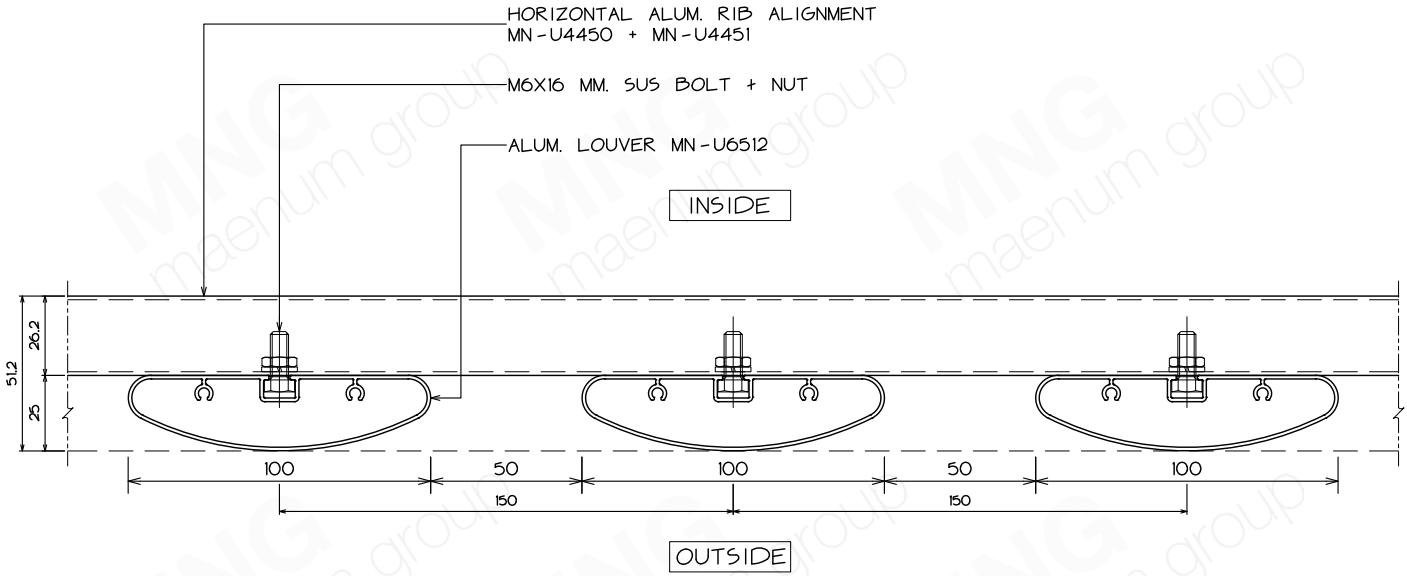
SCALE 1 : 2.5



MN - U6511

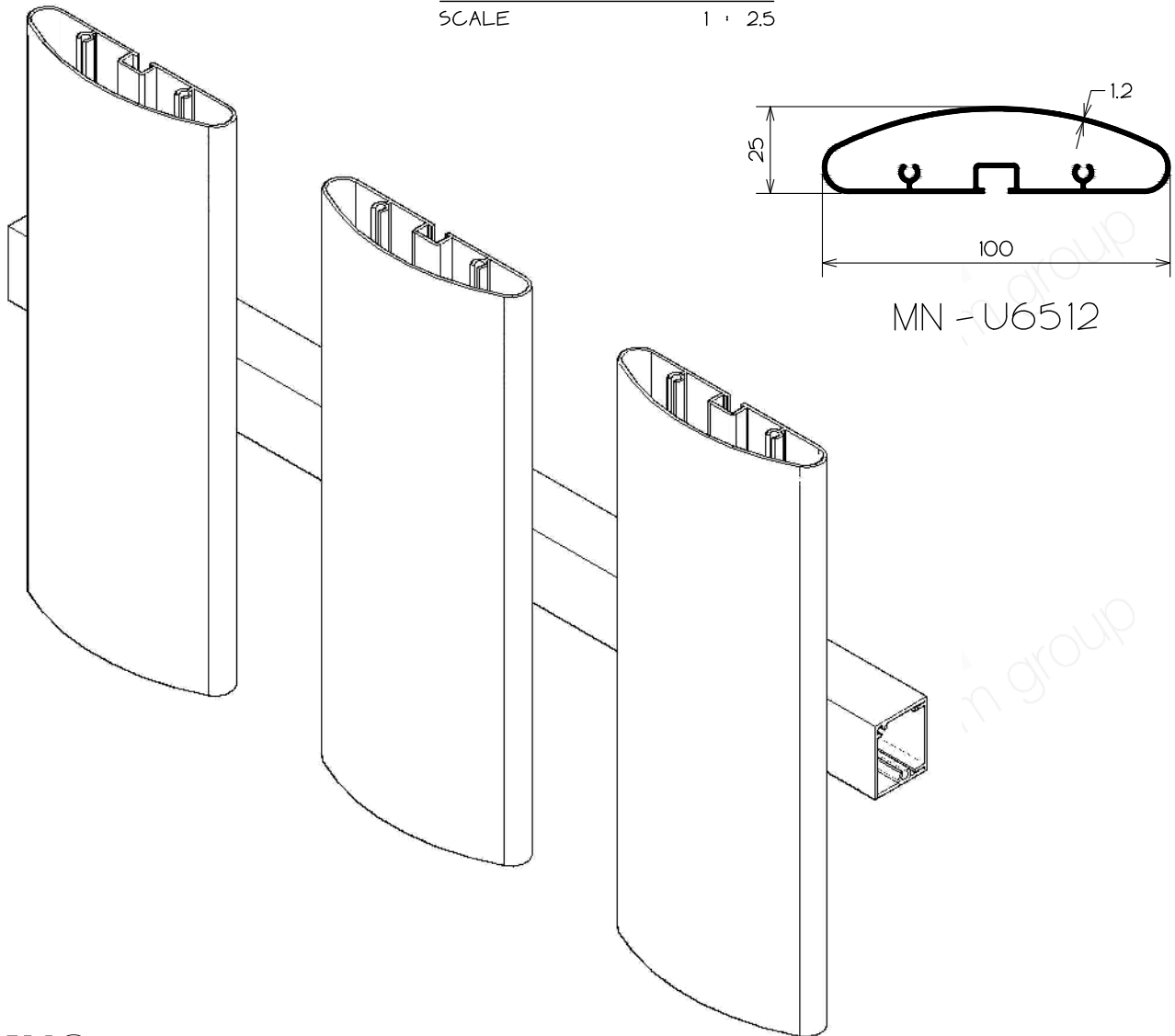


MN-U6512 LINEAR LOUVER & CEILING

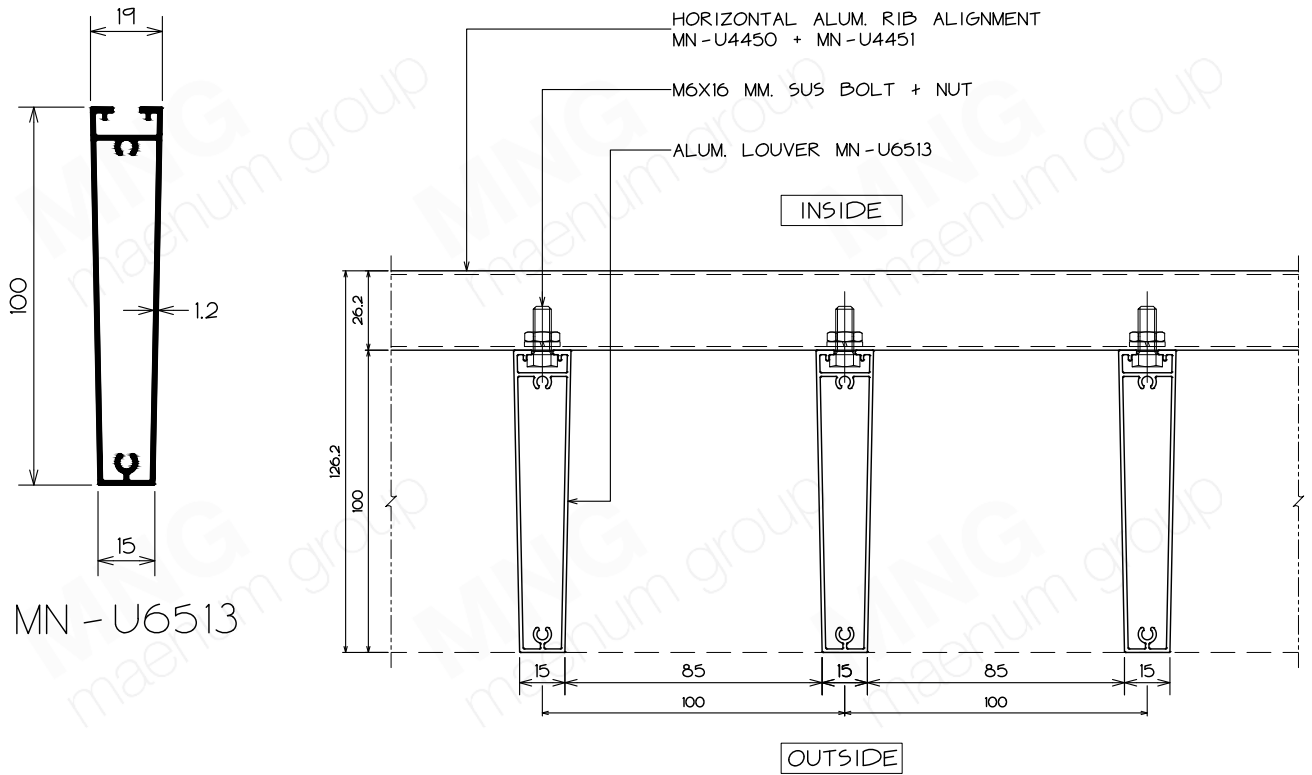


PLAN DETAILS

SCALE 1 : 25



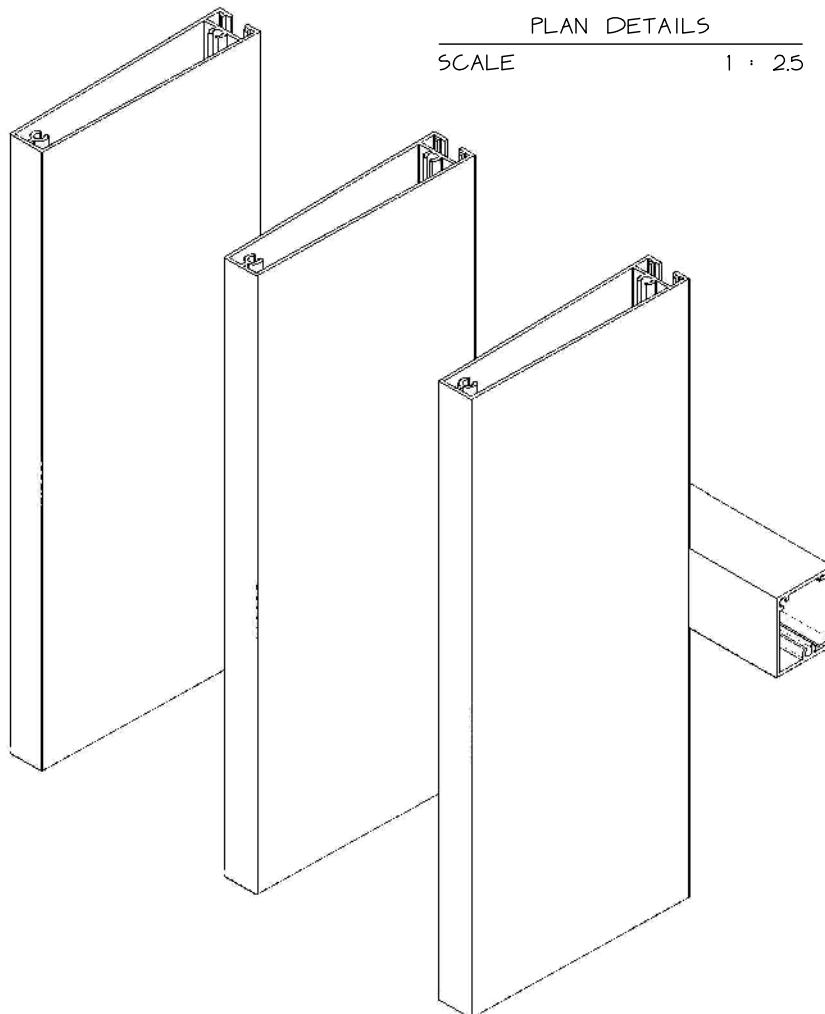
MN-U6513 LINEAR LOUVER & CEILING



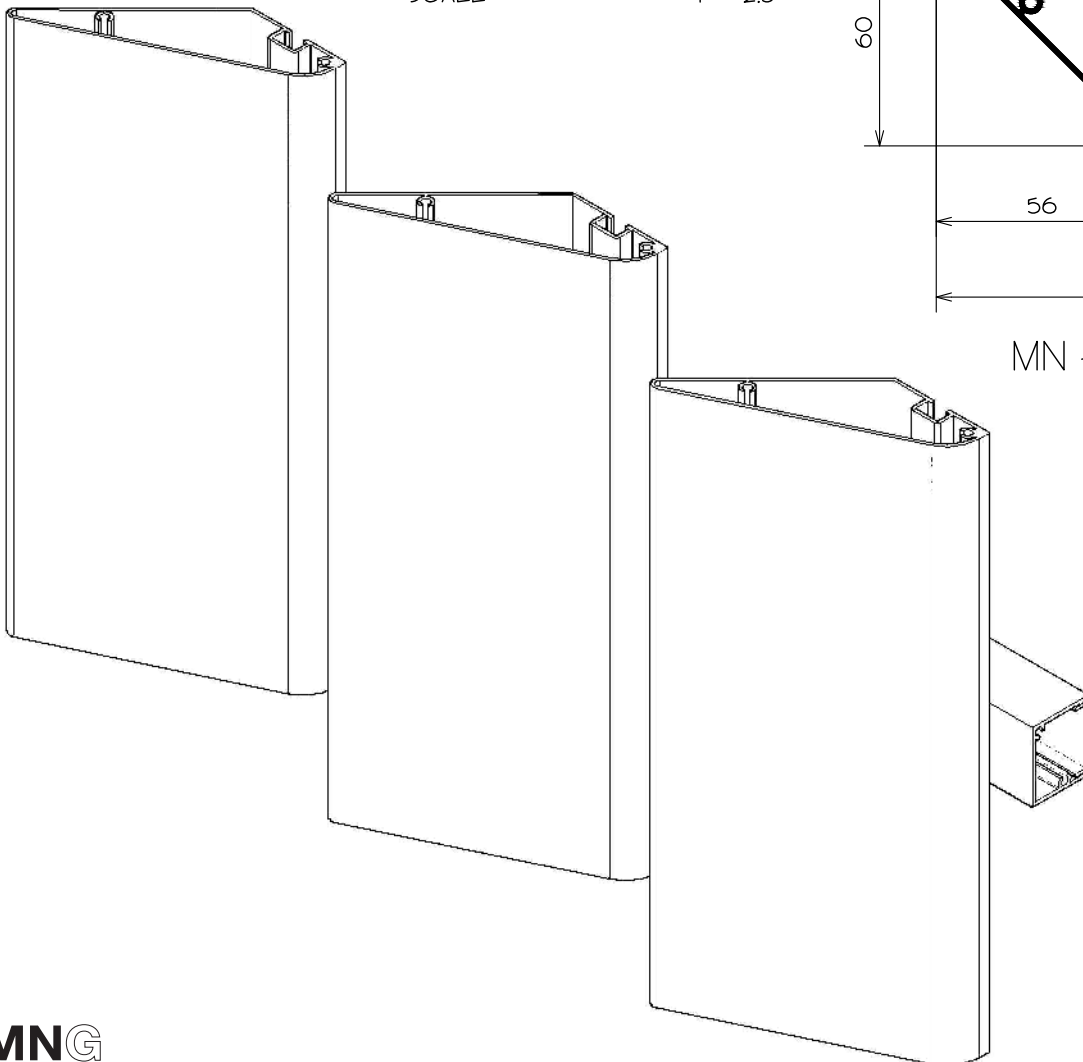
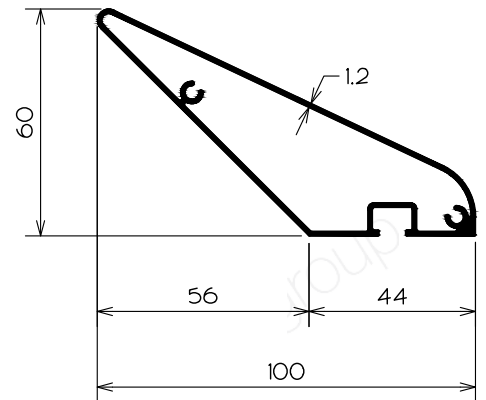
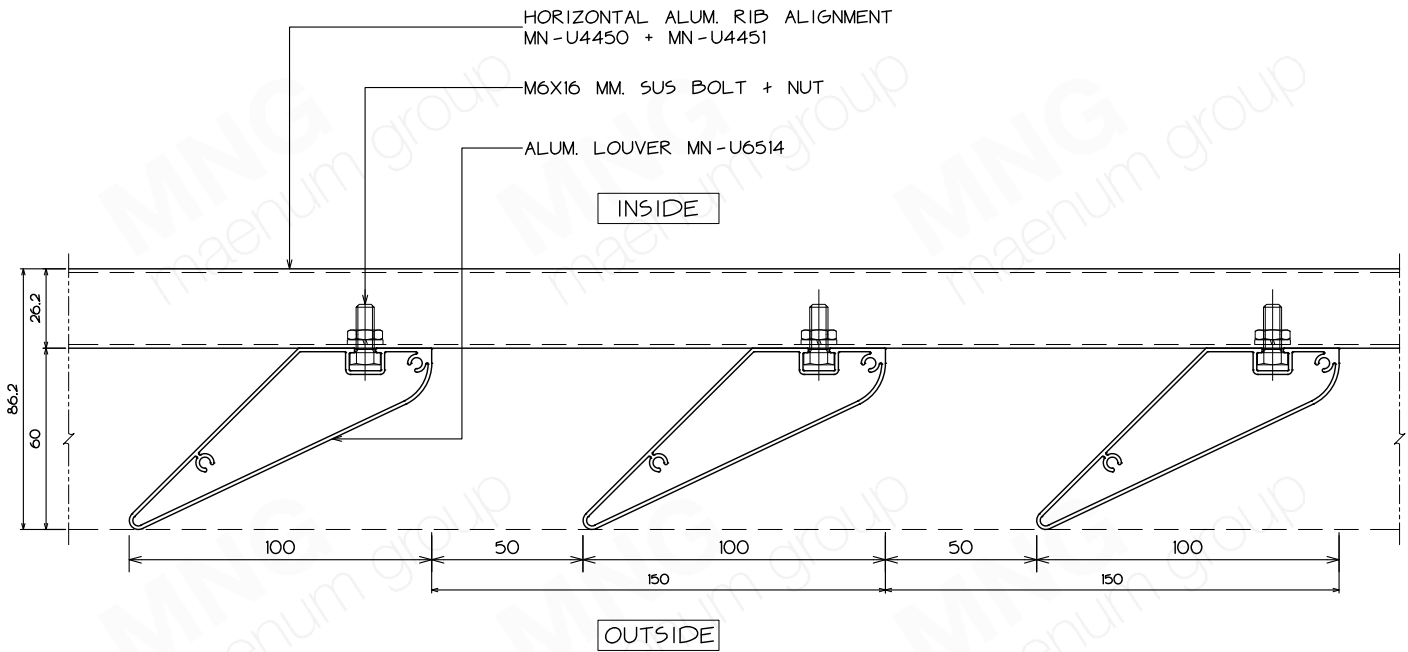
MN - U6513

PLAN DETAILS

SCALE 1 : 2.5



MN-U6514 LINEAR LOUVER & CEILING



MNG
maenum group

MNG
maenum group

MNG
maenum group

MNG
maenum group

MNG
maenum group

MNG
maenum group

TYPE 6 ALUMINIUM SPANDREL FACADE

MNG
maenum group

MNG
maenum group

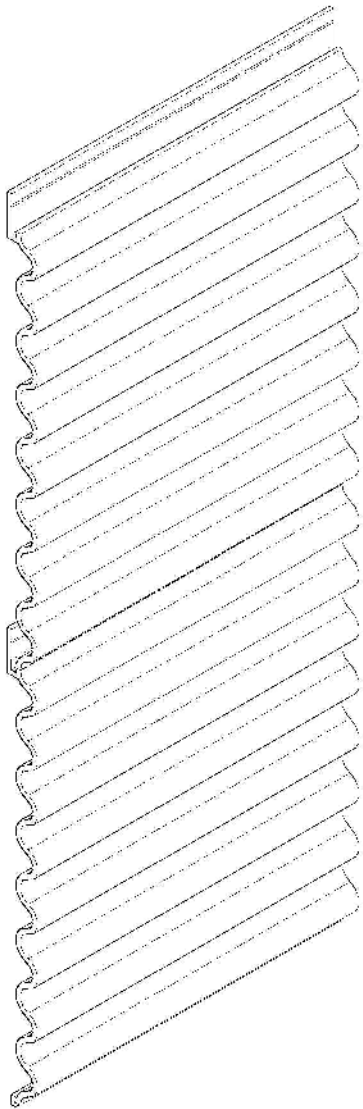
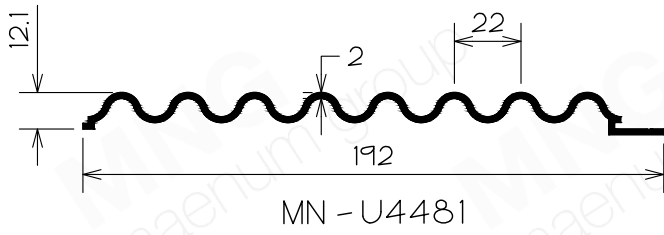
MNG
maenum group

MNG
maenum group

MNG
maenum group

MNG
maenum group

MN-U4481 SPANDREL FACADE



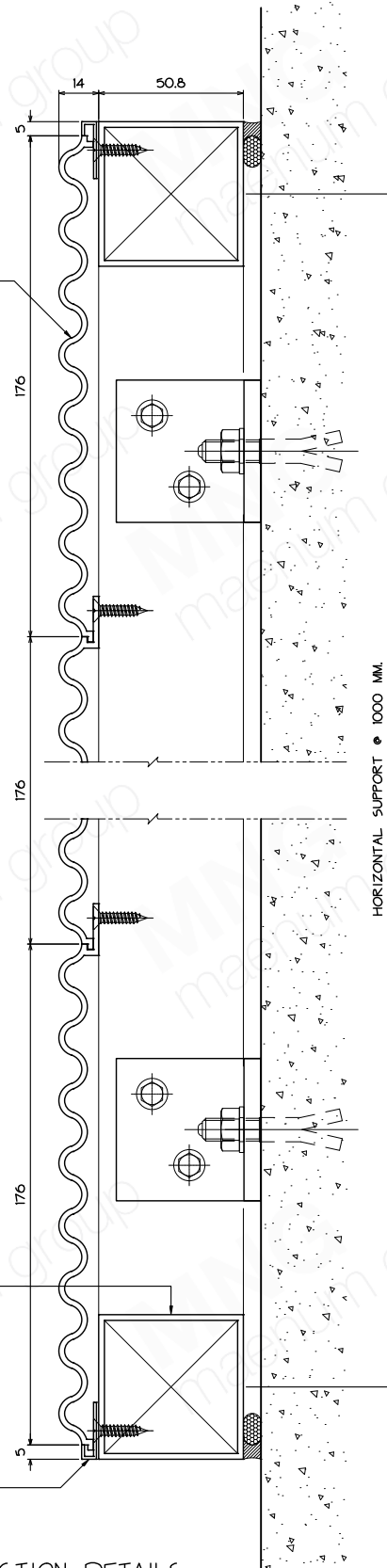
ALUM. SPANDREL MN-U4481

OUTSIDE

INSIDE

2"X2"X2.0 MM.THK.
ALUM. SQUIRE TUBE

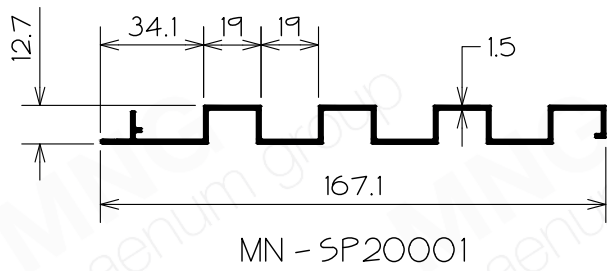
ALUM. PROFILE
FOR EDGE FINISHING



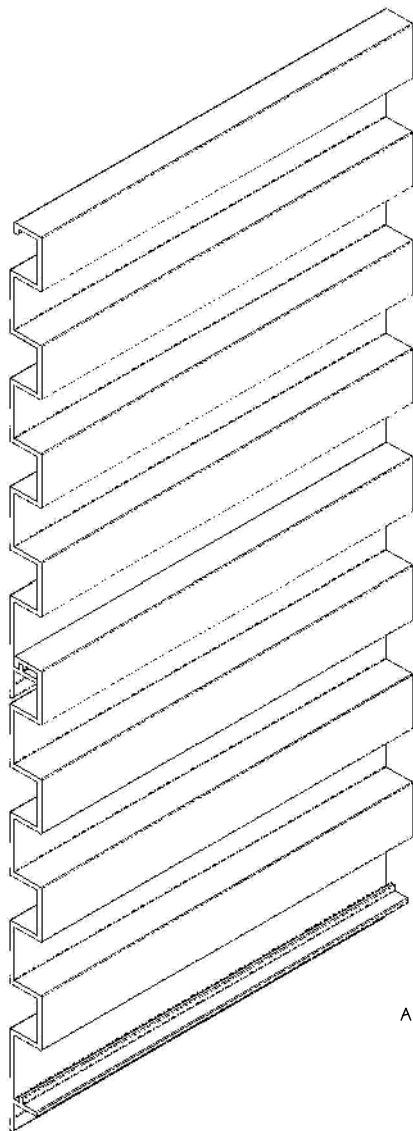
VERTICAL SECTION DETAILS

SCALE 1 : 2.5

MN-SP20001 SPANDREL FACADE



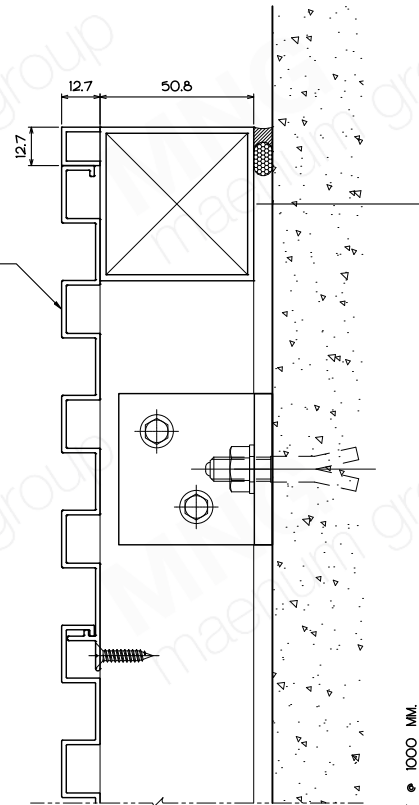
MN - SP20001



ALUM. SPANDREL
MN-SP20001

OUTSIDE

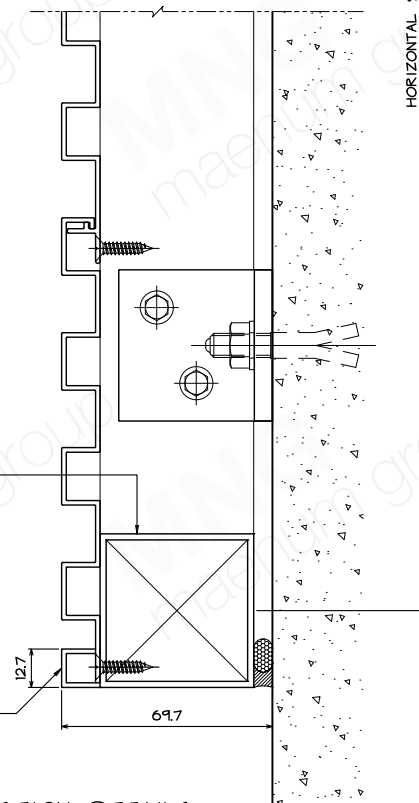
INSIDE



HORIZONTAL SUPPORT ϕ 1000 MM.

2"X2"X2.0 MM.THK.
ALUM. SQURE TUBE

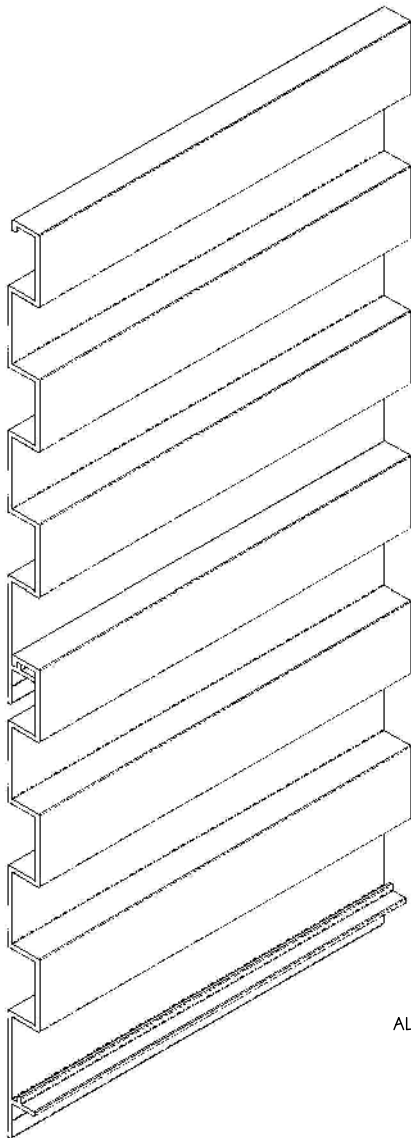
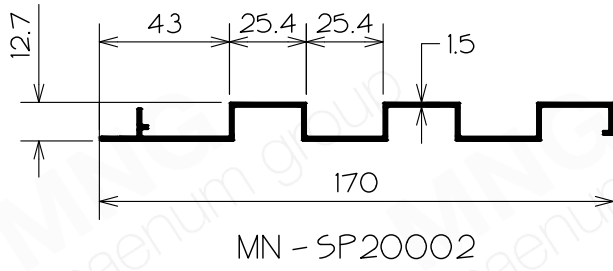
FOR EDGE FINISHING
ALUM. EXTRUSION



VERTICAL SECTION DETAILS

SCALE 1 : 2.5

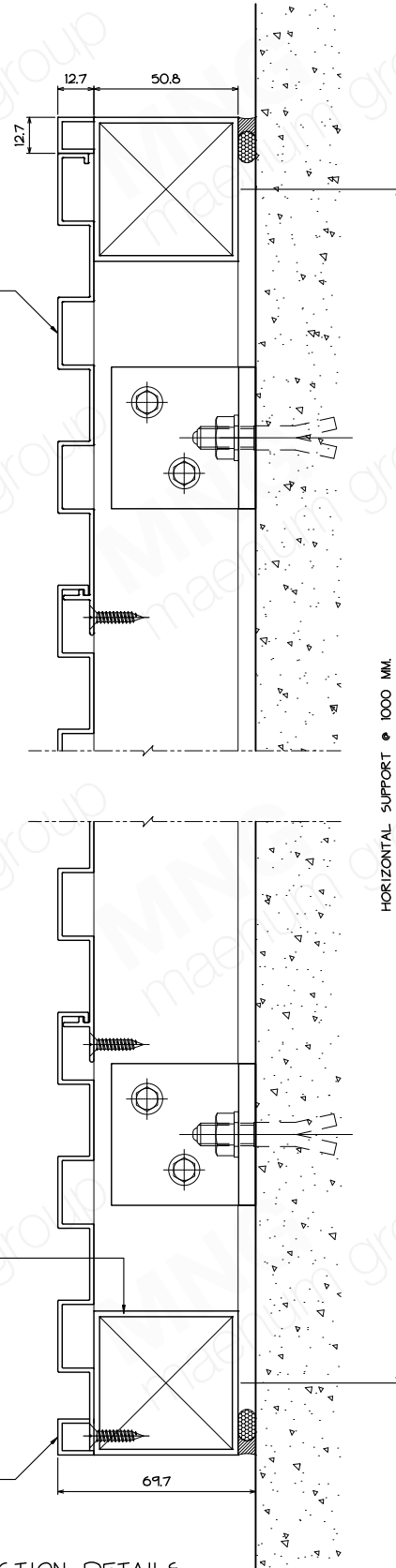
MN-SP20002 SPANDREL FACADE



ALUM. SPANDREL
MN - SP20002

OUTSIDE

INSIDE



2"X2"X2.0 MM.THK.
ALUM. SQUARE TUBE

FOR EDGE FINISHING
ALUM. EXTRUSION

VERTICAL SECTION DETAILS

SCALE 1 : 2.5

MNG
maenum group

MNG
maenum group

MNG
maenum group

MNG
maenum group

MNG
maenum group

MNG
maenum group

TYPE 7

ALUMINIUM STRIP LOUVER

ALUMINIUM STRIP CEILING

MNG
maenum group

MNG
maenum group

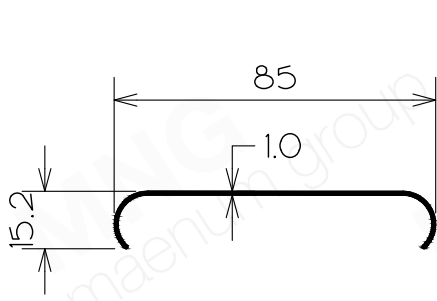
MNG
maenum group

MNG
maenum group

MNG
maenum group

MNG
maenum group

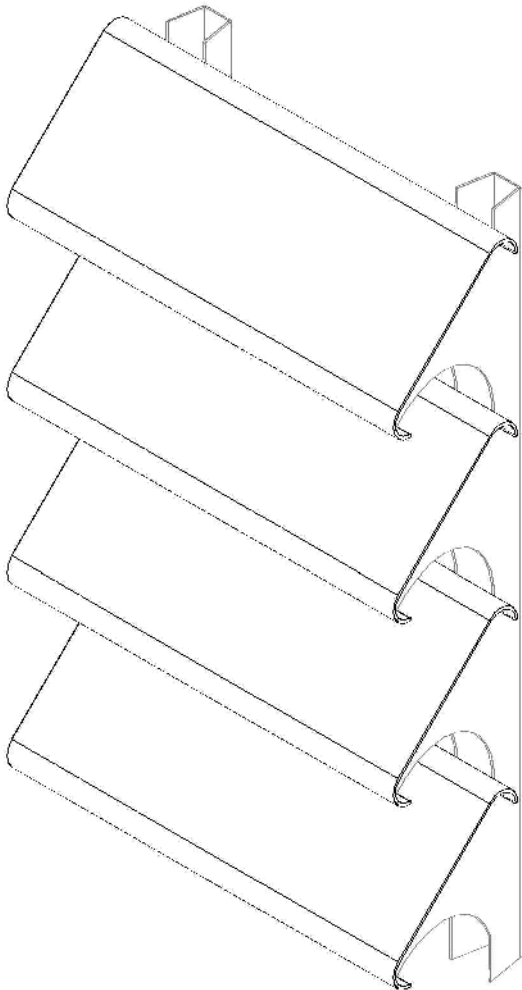
MN-U1825 C-STRIP LOUVER



MN - U1825

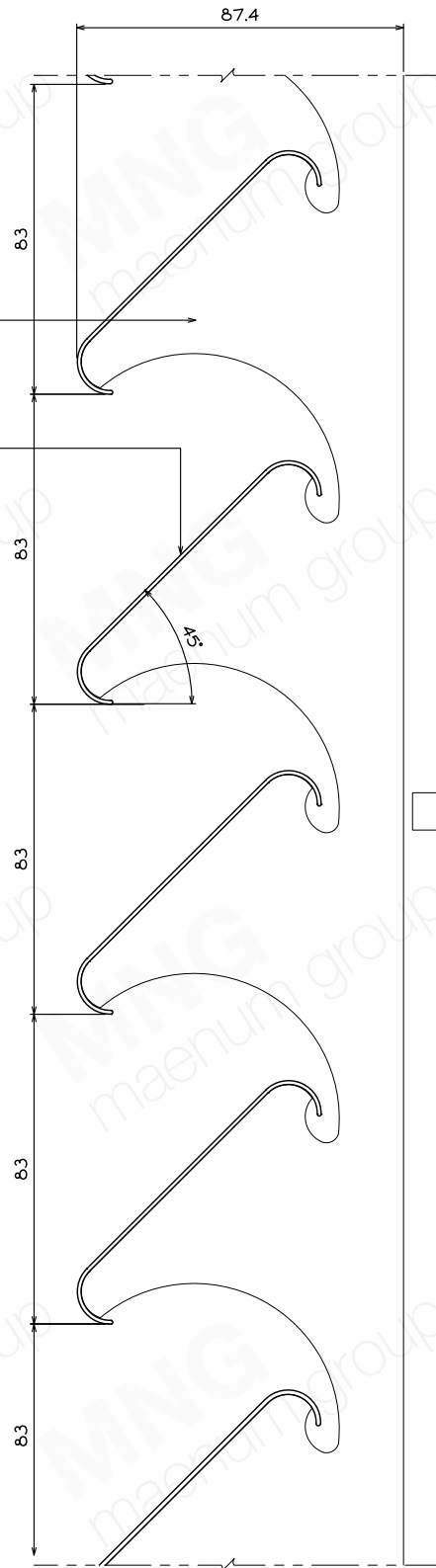
ALUM. SUPPORT

ALUM. C-STRIP LOUVER
MN - U1825



OUTSIDE

INSIDE

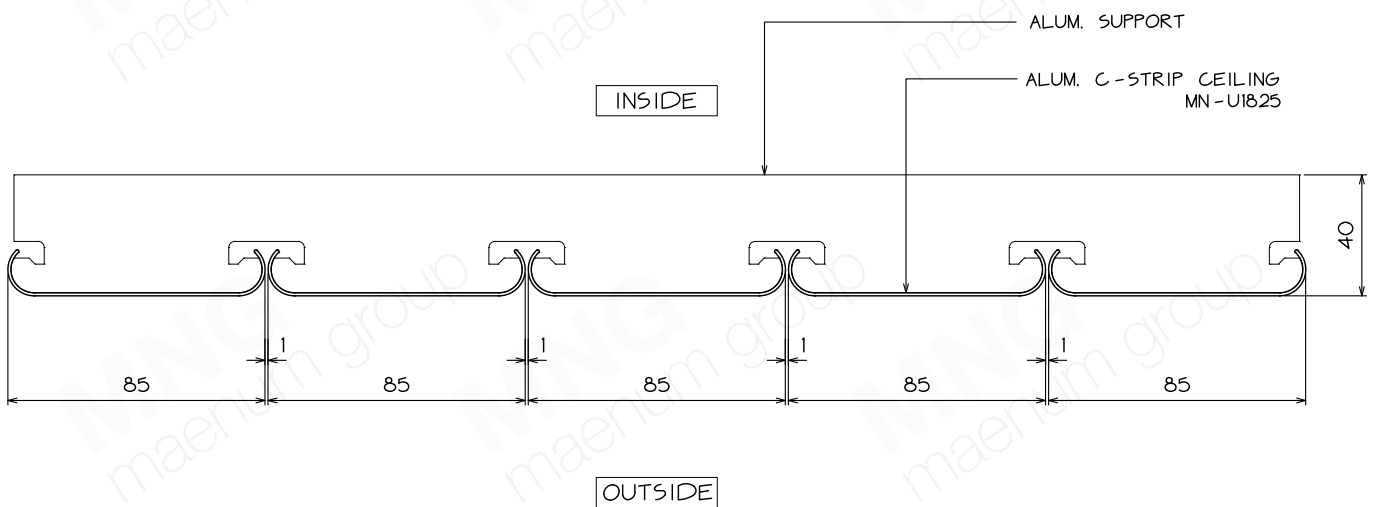
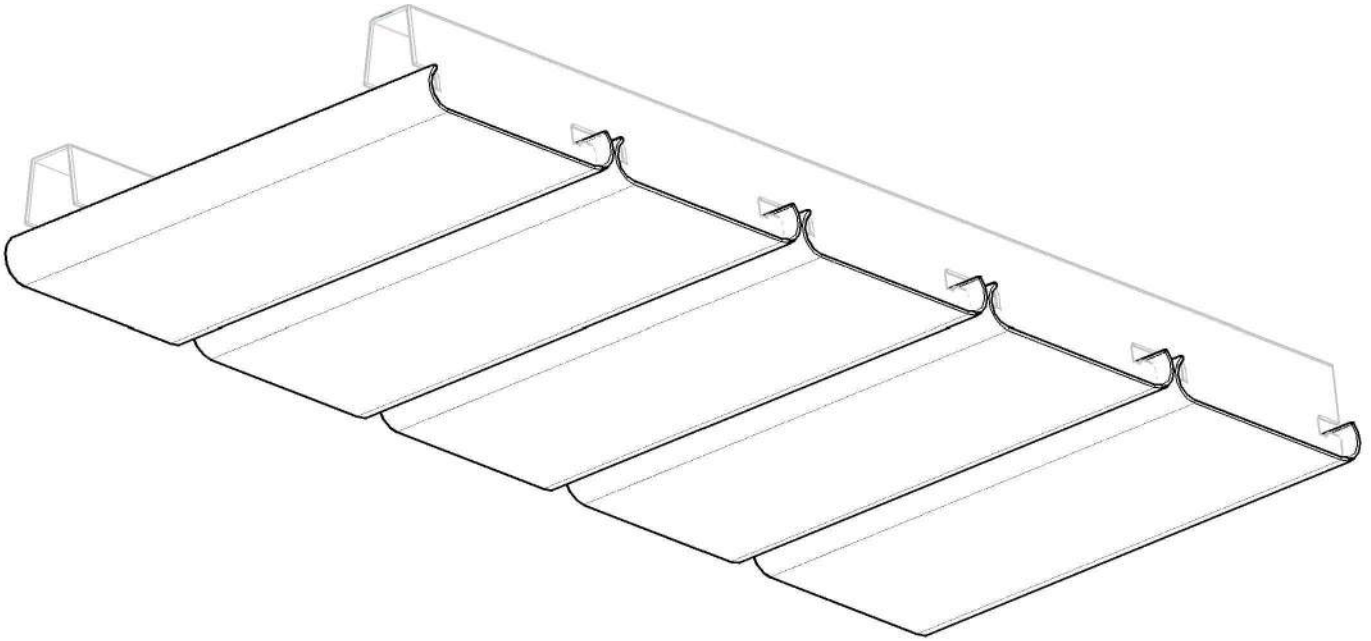
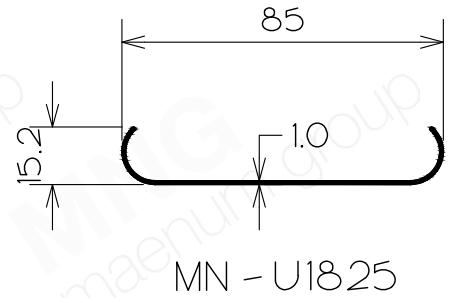


VERTICAL SECTION DETAILS

SCALE

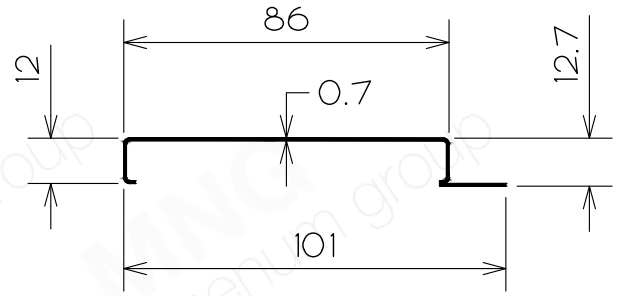
1 : 2.5

MN-U1825 C-STRIP CEILING

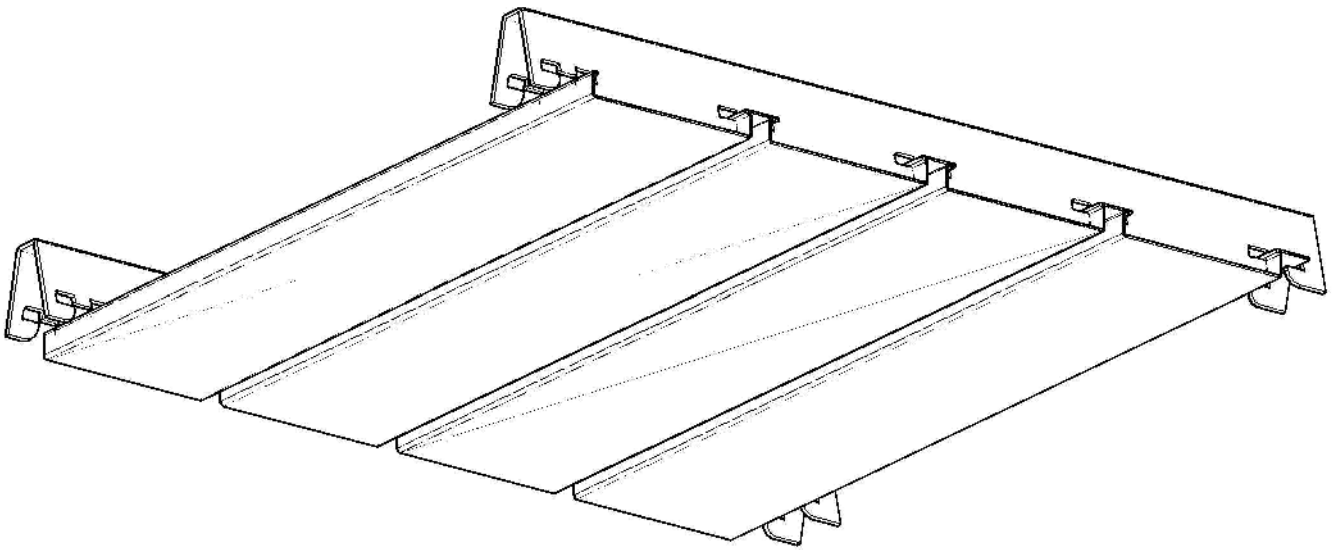


HORIZONTAL SECTION DETAILS
SCALE 1 : 25

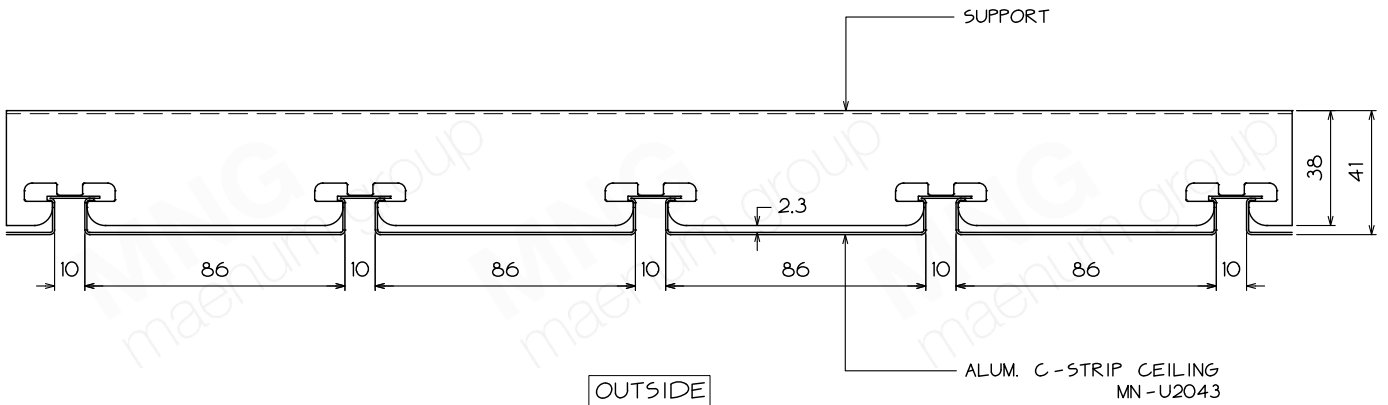
MN-U2043 C-STRIP CEILING



U2043



INSIDE



HORIZONTAL SECTION DETAILS
SCALE 1 : 2.5

