



**CATALOG**  
**2025**  
**Hospital Furniture**

# OUR CLIENTS



Ingeniería y Control de Proyectos S.A. de C.V.



# HOSPITAL FURNITURE





# Who is GID?

**GID** began activities in 1994 as a manufacturer of furniture for prisons, hospitals, laboratories, industrial kitchens, offices and special designs.

In 1996 he obtained recognition in the sixth Latin American Applied Design Contest, for the manufacture of the “Combo” (integrated toilet and sink), designed in stainless steel.

Since 2005 **GID** has been certified with ISO 9001.



# Vision and Mission

Vision: To be a leader in the design and manufacture of innovative hospital furniture solutions, improving the quality of life of patients and facilitating the work of medical staff, with a firm commitment to excellence, ergonomics and sustainability.

Mission: Produce high-quality hospital furniture that complies with international regulations, providing safe, functional and aesthetically adapted solutions to the needs of hospitals, clinics and health centers. We offer products that improve both patient comfort and healthcare professional efficiency.



# Beds hospitable



**Single hospital bed**



**Multiple bed positions  
(2 cranks)**



**Multiple bed positions  
(3 cranks)**



**Multiple bed positions  
(4 cranks)**



**Multiple bed positions,  
with pistons**



**Multiple bed positions  
pediatric**

The dimensions can be adjusted according to the project. Made of stainless steel or carbon steel with electrostatic paint finish.

# Tables and stretchers doctor



**Universal examination  
table**



**Universal examination  
table  
pediatric**



**Autopsy table with  
preparation  
for crushing**



**Lifting table  
for corpses**



**Universal surgical  
table**



**Stretcher trolley  
transfer type**

The dimensions can be adjusted according to the project. Made of stainless steel or carbon steel with electrostatic paint finish.



# Wall tables with display case



**Table to wall  
with display case R17**



**Table to wall  
with display case R4**



**Table to wall  
with display case R1**



**Table to wall  
with display case R24**

The dimensions can be adjusted according to the project. Made of stainless steel or carbon steel with electrostatic paint finish.



# Furniture Hospitable



**Double shelf holder**



**High table (150cm)  
with central sink**



**High table (120 cm)  
with backrest and left  
sink**



**Showcase**

The dimensions can be adjusted according to the project. Made of stainless steel or carbon steel with electrostatic paint finish.



# Service carts



**Car  
Conveyor**



**File cart**



**Mobile laboratory table**



**Cart for  
cures**



**Open cart  
(3 levels)  
for transport**



**Distributor cart  
of samples**

The dimensions can be adjusted according to the project. Made of stainless steel or carbon steel with electrostatic paint finish.

# Service carts



**Cart for healing, with  
May table**



**Medicine cart**



**Cleaning cart**



**Clothes cart  
clean and dirty**



**Table with backrest for  
instruments**



**Clothes cart  
clean**

The dimensions can be adjusted according to the project. Made of stainless steel or carbon steel with electrostatic paint finish.

# Service carts



**Cart for cardiac emergency**



**Cart for medications**



**Table for anesthesiologist**



**Cart for material and equipment**



**Infant basin with drawer and table**

The dimensions can be adjusted according to the project. Made of stainless steel or carbon steel with electrostatic paint finish.

# Rolling drawers



**Rolling buck**



**Filing cart**



**Night table  
for hospital use**



**Drawer cart**

The dimensions can be adjusted according to the project. Made of stainless steel or carbon steel with electrostatic paint finish.



# Instrument and patient care tables



**Bridge table P2**



**Pasteur table**



**180 Table for assembly**



**Large table for instruments**



**Bridge table**

The dimensions can be adjusted according to the project. Made of stainless steel or carbon steel with electrostatic paint finish.

# Mesas de instrumental y atención al paciente



**Mayo table**



**Mayo table with tray**



**Trough bath**



**Kidney table**

The dimensions can be adjusted according to the project. Made of stainless steel or carbon steel with electrostatic paint finish.

# Sinks



**Pasteur washbasin**

**Oval washbasin**



**Surgeon's sink  
double**

The dimensions can be adjusted according to the project. Made of stainless steel or carbon steel with electrostatic paint finish.





**"Security  
without limits"**



**PRISON ROOM**

# Productos hospitalarios



**4-hook lectern**

**Lectern for parental infusion pump**



**Negatoscope a wall**



**Chest of drawers shelf**



**Reclining seat for shower**



**Shower bar with angle**

The dimensions can be adjusted according to the project. Made of stainless steel or carbon steel with electrostatic paint finish.



# Products

# Hospitable



**Fixed sink bar**



**Towel rack**



**Simple coat rack**



**Roll holder  
simple domestic**



**Grid soap dish for  
showering**

The dimensions can be adjusted according to the project. Made of stainless steel or carbon steel with electrostatic paint finish.



**Folding bar  
for bathroom**



**Bench of a  
step**

**Bench of a  
step**



**Wall coat rack**



The dimensions can be adjusted according to the project. Made of stainless steel or carbon steel with electrostatic paint finish.



# Products

# Hospitable



**Simple trash can**



**Cylindrical trash can**



**Bell-shaped trash can**



**Large capacity waste bin**



**Pedal trash can**

The dimensions can be adjusted according to the project. Made of stainless steel or carbon steel with electrostatic paint finish.

# Shelves for



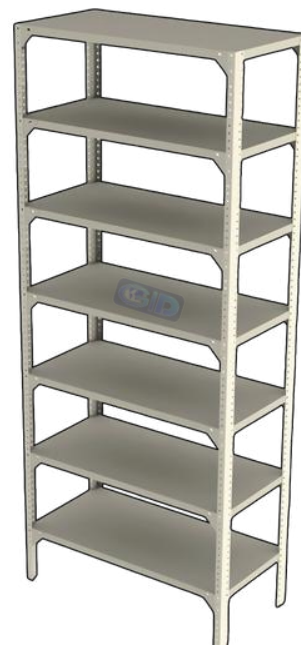
**4 Drawer filing cabinet**



**3 drawer filing cabinet**



**Bedroom closet**



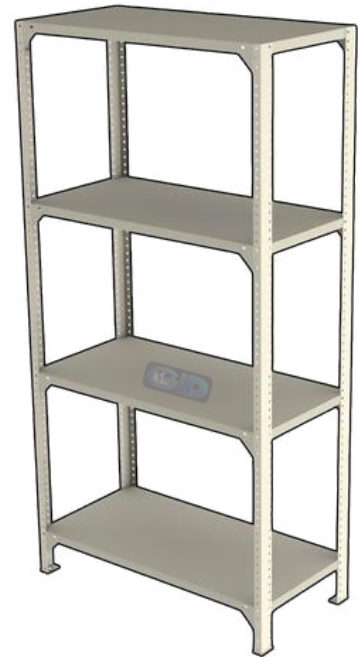
**7-Shelf rack**

The dimensions can be adjusted according to the project. Made of stainless steel or carbon steel with electrostatic paint finish.

# storage



**Steel shelving**



**4-Shelf rack**



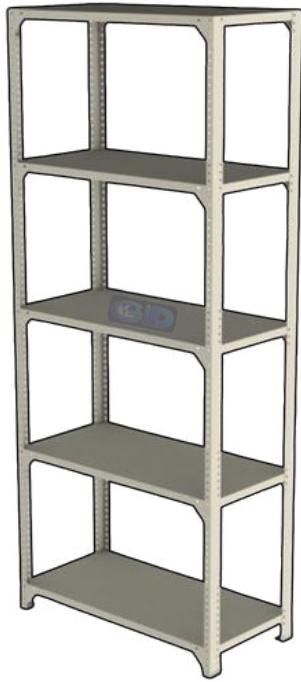
**2 Drawer filing cabinet**



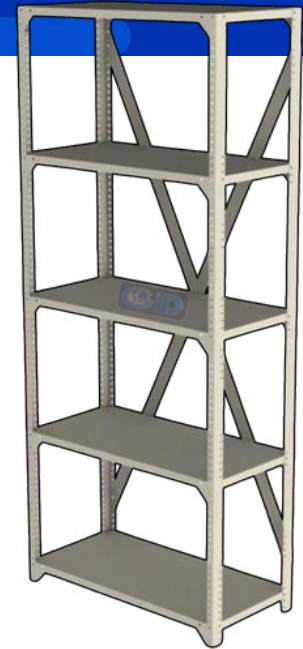
**Universal cabinet**

The dimensions can be adjusted according to the project. Made of stainless steel or carbon steel with electrostatic paint finish.

# Shelves for storage



**Metal shelf**



**Heavy duty shelving**



**Chest of drawers with two drawers**



**2 drawer locker**

The dimensions can be adjusted according to the project. Made of stainless steel or carbon steel with electrostatic paint finish.





# Shelves for storage



**4 drawer locker**



**45 cm fixed shelf  
(one view)**



**Low metal shelf**

The dimensions can be adjusted according to the project. Made of stainless steel or carbon steel with electrostatic paint finish.

# Cabinets



**90cm Sterile Storage Rack**



**120cm Sterile Storage Rack**



**Endoscope cabinet**



**Sampling cabinet**



**Sampling cabinet (left sink)**

The dimensions can be adjusted according to the project. Made of stainless steel or carbon steel with electrostatic paint finish.



# Work tables



**Work table  
with sink**



**Wall mounted sink**



**Table with 2 sinks**



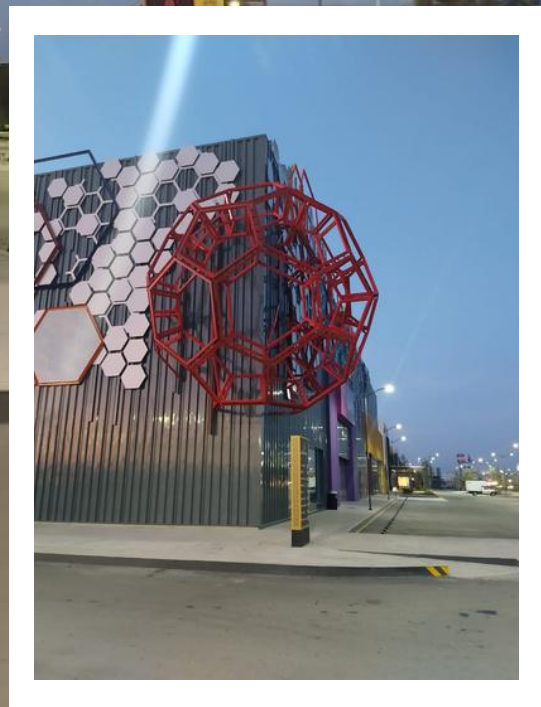
**Table with sink**



**Work table**

The dimensions can be adjusted according to the project. Made of stainless steel or carbon steel with electrostatic paint finish.

"Innovation and  
resistance in every detail"

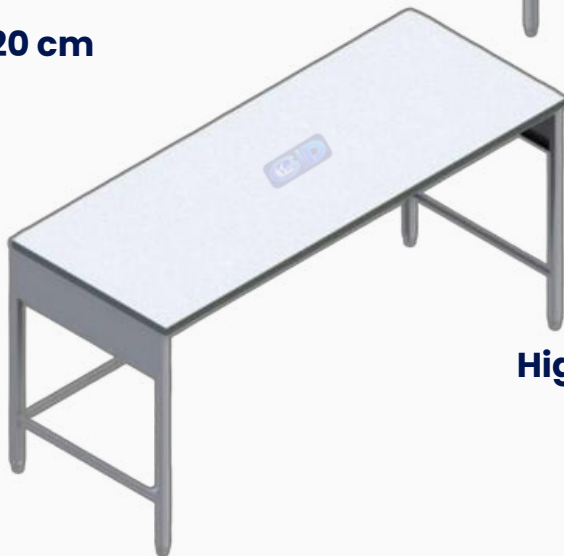




**High table 120 cm**



**High table 150 cm**



**High table 180 cm**



**Bending table**



**Table with left sink**



**Work table with shelf**

Las dimensiones se pueden ajustar según proyecto. Fabricadas en acero inoxidable o acero al carbón con acabado en pintura electrostática.



# Work tables



**High table with central sink and drawers**



**Analytical balance table**



**High table with backrest and left sink**



**High table with backrest and right sink**

The dimensions can be adjusted according to the project. Made of stainless steel or carbon steel with electrostatic paint finish.

# Desks



**Computer table**



**Computer table with basket**



**Computer desk with cable management**



**Printer table**

The dimensions can be adjusted according to the project. Made of stainless steel or carbon steel with electrostatic paint finish.

# Desks



**Workshop table**



**Standard work table**



**Secretarial desk**



**Modular desk**

The dimensions can be adjusted according to the project. Made of stainless steel or carbon steel with electrostatic paint finish.





**Desk for  
teacher**



**Desk for  
right pedestal**



**Desk table  
120 cm**



**High table of 150 cm, with  
central drawer unit**



# Bancos y bancas



**Swivel bench  
with backrest**



**Rotating bench**



**Metal bench for  
dressing room**



**Bench**



**Backless Bench**

The dimensions can be adjusted according to the project. Made of stainless steel or carbon steel with electrostatic paint finish.

# Wall area analytical



**Wall area of  
analytical**



**Wall washing area**



**Core area of analytics**

# Laminar flow hoods



**Vertical laminar flow  
hood**



**Horizontal laminar flow  
hood**



# Laboratory tables



**Central laboratory table**



**Laboratory table C-501**

# Laboratory products

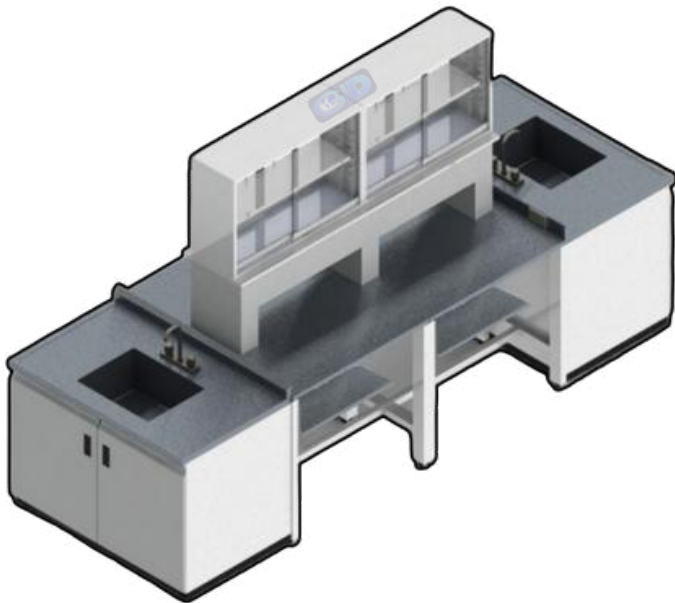


**Double corpse refrigerator**



**4-compartment corpse refrigerator**

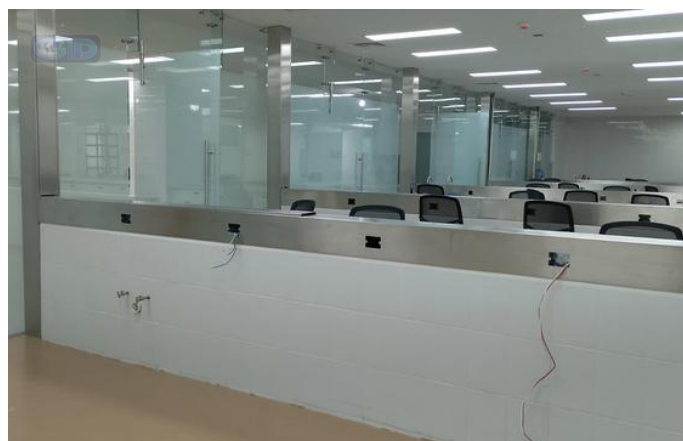
# Laboratory



**Island table with central shelf and double sink**



**Analytical balance table**



**Cable ducts**

The dimensions can be adjusted according to the project. Made of stainless steel or carbon steel with electrostatic paint finish.



**Wall table**



**Wall table**



**Wall mounted table  
with sink**



**Wall mounted table  
with sink**

The dimensions can be adjusted according to the project. Made of stainless steel or carbon steel with electrostatic paint finish.



**Wall mounted table  
with sink**



**Washbasin table with  
two sinks**



**Laboratory table**



**Work table  
with sink**

The dimensions can be adjusted according to the project. Made of stainless steel or carbon steel with electrostatic paint finish.



# INDUSTRIAL KITCHENS



**LOBBY BAR**



**MEDITERRANEAN BAR**



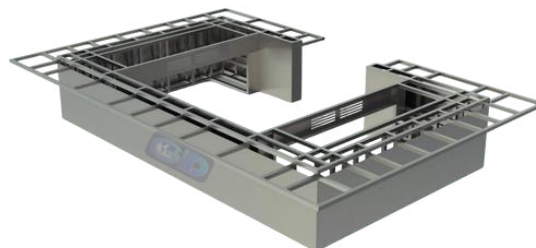
**BRY DAR SHAKER**



**COCKTAIL TABLE**

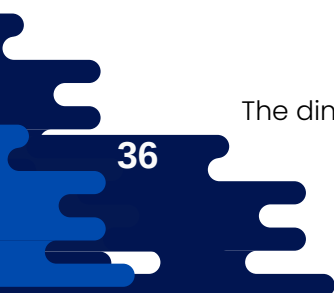


**CABINET IN L**



**TEPPANYAKI TABLE BAR**

The dimensions can be adjusted according to the project. Made of stainless steel or carbon steel with electrostatic paint finish.







**3-TIER OPEN CART FOR  
TRANSPORT**



**MOBILE COLD TABLE**



**SELF-SERVICE TRAY CART**



**DOORS FOR CABINETS**



**POT RACK**



**CUBIC WALL-MOUNTED  
EXTRACTION AND INJECTION  
HOOD**



**CENTRAL CUBIC EXTRACTION  
AND INJECTION HOOD**

The dimensions can be adjusted according to the project. Made of stainless steel or carbon steel with electrostatic paint finish.



**AT GID WE OFFER INNOVATIVE AND HIGHLY RESISTANT SOLUTIONS IN HOSPITAL, PRISON AND ARCHITECTURAL FURNITURE. OUR PRODUCTS STAND OUT FOR THEIR QUALITY, CUSTOMIZATION AND ROBUST MATERIALS SUCH AS STAINLESS STEEL AND CARBON STEEL.**

**OUR INTERNATIONAL EXPERIENCE IN PRISONS AND HOSPITALS POSITIONS US AS LEADERS IN THE SECTOR. WE ADAPT EACH PROJECT TO THE CLIENT'S NEEDS, GUARANTEEING FUNCTIONALITY, SECURITY AND CUSTOMIZED DESIGNS OF MAXIMUM DURABILITY.**



**WE DIFFERENTIATE OURSELVES BY MANUFACTURING FURNITURE AND STRUCTURES WITH THE BEST MATERIALS AND FINISHES. OUR CAPACITY FOR CUSTOMIZATION AND COMMITMENT TO EXCELLENCE MAKE US THE BEST OPTION ON THE MARKET.**



# DISCOVER EVERYTHING

VANDAL-PROOF FURNITURE



ARCHITECTURAL DESIGNS

INNOVATIVE FURNITURE





# Get a quote with us



(55) 5236 5639



[www.gidsa.com](http://www.gidsa.com)



[edgarez@gidsa.com](mailto:edgarez@gidsa.com)



[sairaalvarez@gidsa.com](mailto:sairaalvarez@gidsa.com)



[israelnunez@gidsa.com](mailto:israelnunez@gidsa.com)



[ie\\_reyes@gidsa.com](mailto:ie_reyes@gidsa.com)



[@GIDSAMX](https://www.facebook.com/GIDSAMX)



[@mxgidsa](https://www.instagram.com/mxgidsa)

**You will find the best quality on the market here.**