



2026

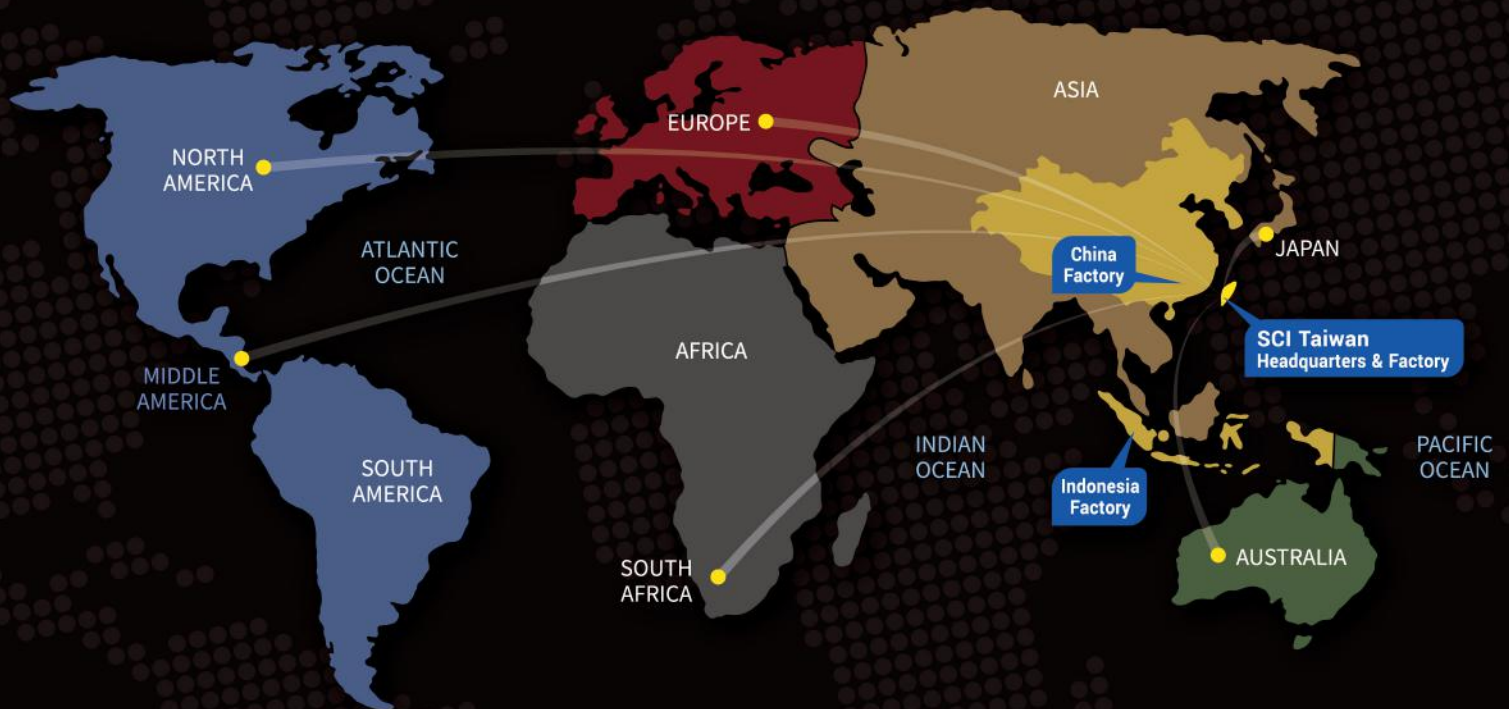
INNOVATION FROM LIFE

FOR DISTRIBUTORS
PROCUREMENT TEAMS
OEM / ODM PARTNERS
INDUSTRIAL PROFESSIONALS



SCI

INNOVATION FROM LIFE



70 YEARS OF TAIWAN CRAFTSMANSHIP

WORKING WITH PARTNERS WORLDWIDE

SCI, SHIN CHIN INDUSTRIAL CO., LTD, formerly known as SHIN CHIN PHENOLIC INDUSTRIAL CO., LTD, was established in 1953 and is endeavored in the design and manufacture of high-quality switches, automobile USB chargers, and LED lighting. SCI headquarters in Tainan, Taiwan, for expanding business SCI also established overseas plants in Mainland China and Indonesia, and all of these plants are certified by ISO 9001, IATF 16949, and ISO 45001 (Only HQ).

As a leading company in the Taiwan switch industry, in 2004 SCI testing laboratory was approved by UL for “Witness Test Data Program (WTDP)”. Till now, SCI has more than 70 years of history and upholds the principle of “Total quality management, a good beginning makes a good ending, customer satisfaction and continuous improvement” from our 1st switch delivery.

AUTOMOTIVE



FORKLIFT



AGRICULTURE



HEAVY DUTY



MARINE



POWER MANAGEMENT & INDUSTRIAL TECHNOLOGY



IATF16949



ISO 9001



TÜV Rheinland



UL WTDP



UL WTDP IATF16949
ISO 9001 TÜV Rheinland

SCI SHIN CHIN
INDUSTRIAL CO., LTD.

LED DRIVING & WORK LAMP



C2-3026

SERIES +

**Engineered for Power,
Built for Endurance.**

C2-3026

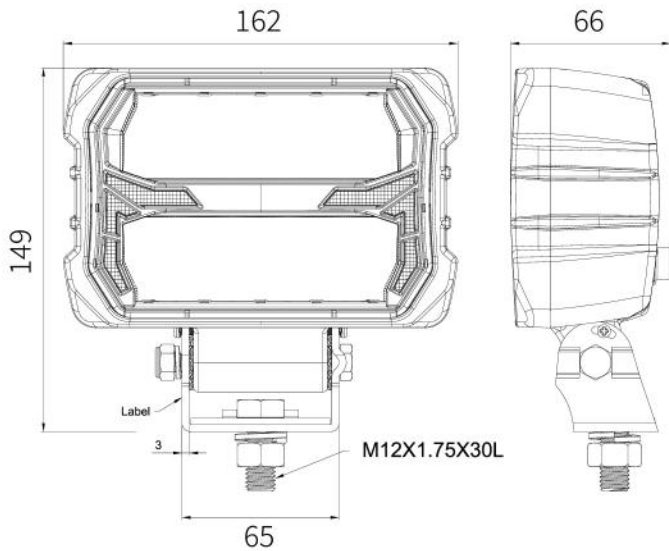
SERIES +



C2-3026A



C2-3026B



- 10-33V MULTI VOLT
- PC LENS
- Polarity Reversal Protection
- 10G Vibration Rating
- IP68
- IP69
- E4 ECE
- ECE R10 EMC
- ISO 13766 EMC
- CISPR25 Class 3 EMC
- 30 - +65 °C

C2-3026A

Power Consumption	
Work Lamp:55W/ Front Position Light:1W	
Raw Lumen Output	10450 Lm
Effective Lumen Output	2500 Lm
Beam Pattern(s)	Flood Beam
Approval	R148

C2-3026B

Power Consumption	
Driving Lamp:22W/ Front Position Light:1W	
Raw Lumen Output	10450 Lm
Effective Lumen Output	1300 Lm
Beam Pattern(s)	High Beam
Approval	R148/R149

*All the specifications are subject to chang without notice

186mm ULTRA LED LIGHT BAR



C2-3028

SERIES +

**FOCUSED POWER.
FORWARD VISION.**

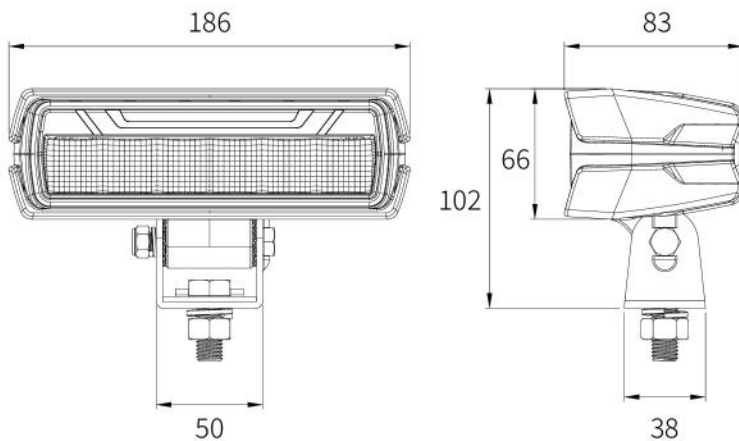
C2-3028

SERIES +



C2-3028A1

C2-3028A2



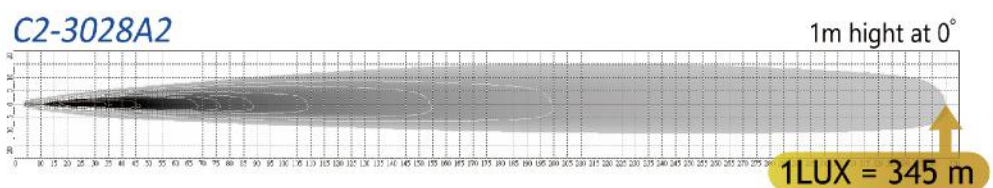
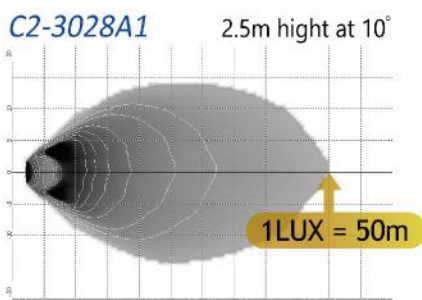
- 10-33V MULTI VOLT
- PC LENS
- Polarity Reversal Protection
- 10G Vibration Rating
- IP68
- IP69
- E4 ECE
- ECE R10 EMC
- ISO 13766 EMC
- CISPR25 Class 3 EMC
- 30 +65 °C

C2-3028A1

Power Consumption	28W
Raw Lumen Output	4200 Lm
Effective Lumen Output	1900 Lm
Colour Temperature	5700K
EMC	ECE R10 / ISO 13766 CISPR25 Class 3
Beam Pattern(s)	Flood Beam

C2-3028A2

Power Consumption	28W
Raw Lumen Output	4200 Lm
Effective Lumen Output	1900 Lm
Colour Temperature	5700K
EMC	ECE R10 / ISO 13766 CISPR25 Class 3
Beam Pattern(s)	High Beam
Approval	ECE R149



SELECT THE APPROPRIATE LIGHT BASED ON YOUR WORKING RANGE AND DRIVING NEEDS.

*All the specifications are subject to change without notice

LED WORK LIGHT WITH MAGNET



C2-3027A

POWERFUL. DURABLE. FLEXIBLE.

Compact and powerful, this magnetic work light delivers 2600 lumens of bright illumination for any task. Its STRONG MAGNETIC BASE mounts easily to metal surfaces — perfect for vehicles, construction, or emergency use. With IP68/IP69 durability, a DT connector, and a cigarette lighter plug, it's ready for quick setup on 12V/24V systems. Available in FLOOD or SPOT BEAM, it provides reliable light wherever work takes you.



C2-3027A

C2-3027AW



STRONG MAGNET



ON / OFF SWITCH

9-33V
MULTI
VOLT

PC
LENS

Polarity
Reversal
Protection

IP68

IP69

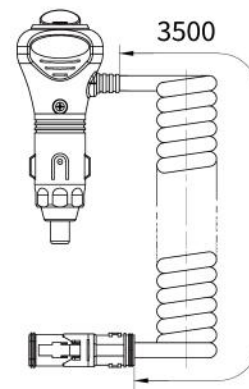
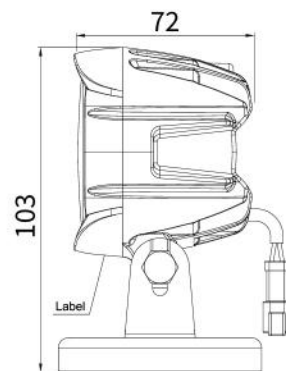
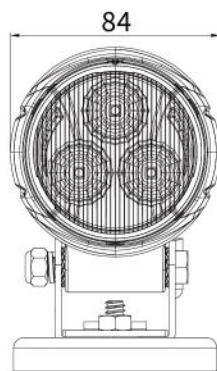
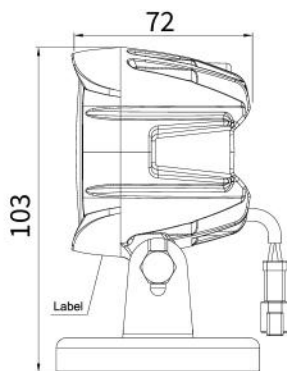
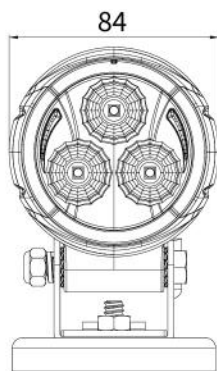
ECE R10
EMC

ISO 13766
EMC

CISPR25
Class 3
EMC

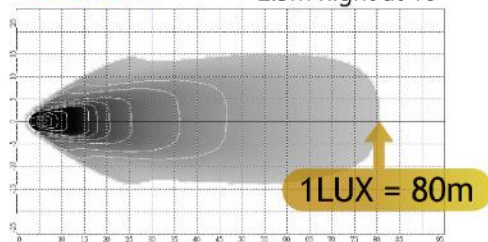
-30 - +85
°C

**2600 LUMENS OF
PURE CONFIDENCE**



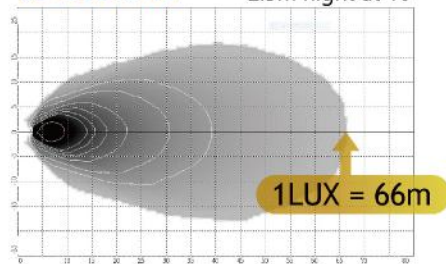
C2-3027A

2.5m high at 10°



C2-3027AW

2.5m high at 10°



Power Consumption	29 W
Raw Lumen Output	3645 Lm
Effective Lumen Output	2600 Lm
Colour Temperature	5700K
Connector	DEUTSCH DT04-2P-CE03
Beam Pattern(s)	Flood Beam
EMC	ECE R10 / ISO 13766 CISPR25 Class 3
Operating Temperatures	-30°C~+85°C
Mounting	Magnetic base
Connection	Spiral cable with cigarette lighter connector

Power Consumption	29 W
Raw Lumen Output	3645 Lm
Effective Lumen Output	2600 Lm
Colour Temperature	5700K
Connector	DEUTSCH DT04-2P-CE03
Beam Pattern(s)	Wide Flood Beam
EMC	ECE R10 / ISO 13766 CISPR25 Class 3
Operating Temperatures	-30°C~+85°C
Mounting	Magnetic base
Connection	Spiral cable with cigarette lighter connector

The MAGNETIC AUXILIARY WORK LIGHT is designed for professionals who need dependable lighting in demanding environments. Its rugged aluminum housing, corrosion-resistant magnetic base, and high-efficiency LED module ensure stable brightness, low power consumption, and long service life. Whether used on vehicles, heavy equipment, or outdoor worksites, it provides consistent performance wherever the job takes you.

GLARE-FREE WORK LIGHT

AND FRONT DIRECTION INDICATOR



C2-3032

Maximum safety and high visibility with light focused on the desired areas

Glare-free, will not blind people near the vehicle

C2-3032

GLARE-FREE



ENHANCE SAFETY FOCUSED LIGHTING

Maximize safety and visibility, specially designed for working environments! The light is focused on targeted areas



Worklight

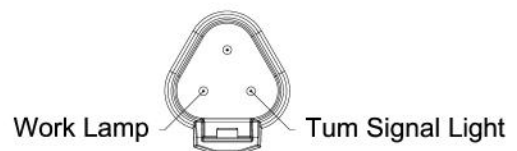
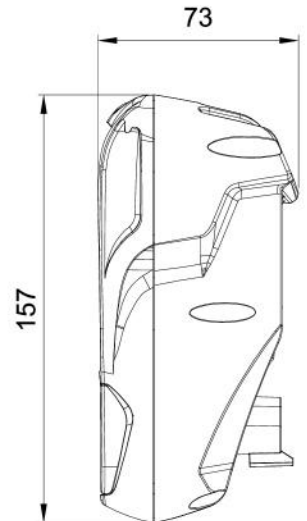
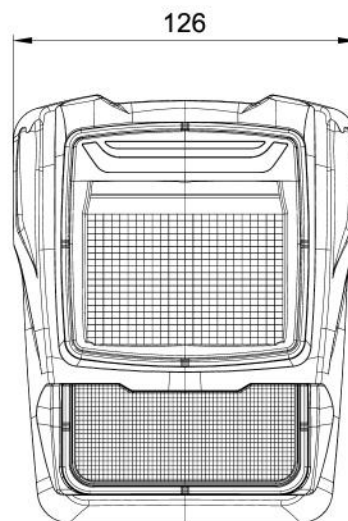
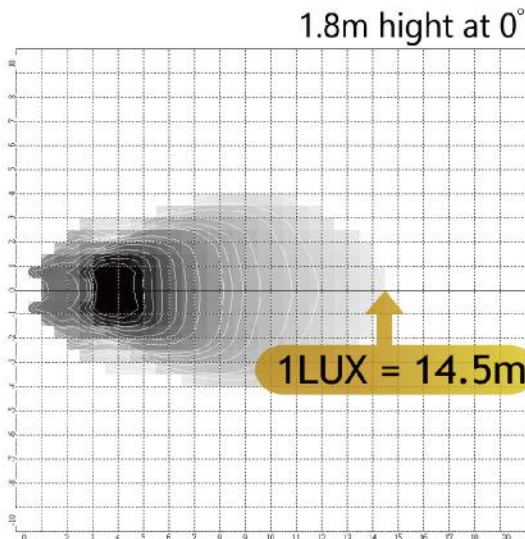


Direction



Dual-light

Voltage:	9-64V DC
Power Consumption:	Work Lamp : 28W Front Direction Indicator : 2W
LED Color Temperature:	5700K
Raw Lumen Output:	3900Lm
Effective Lumen Output:	1700Lm



*All the specifications are subject to change without notice

GLARE-FREE Work Light



C2-3031

Maximum safety and high visibility with light focused on the desired areas

Glare-free, will not blind people near the vehicle

C2-3031

GLARE-FREE



9-64V
MULTI
VOLT

PC
LENS

IP68

IP69K

10G
Vibration
Rating

ECE R10
EMC

ISO 13766
EMC

CISPR25
Class 3
EMC

-30 - +85
°C

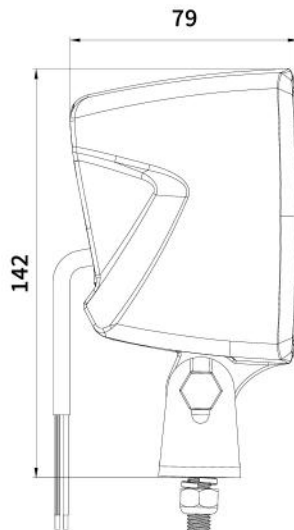
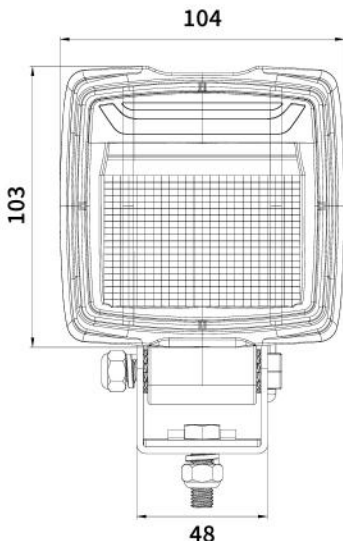
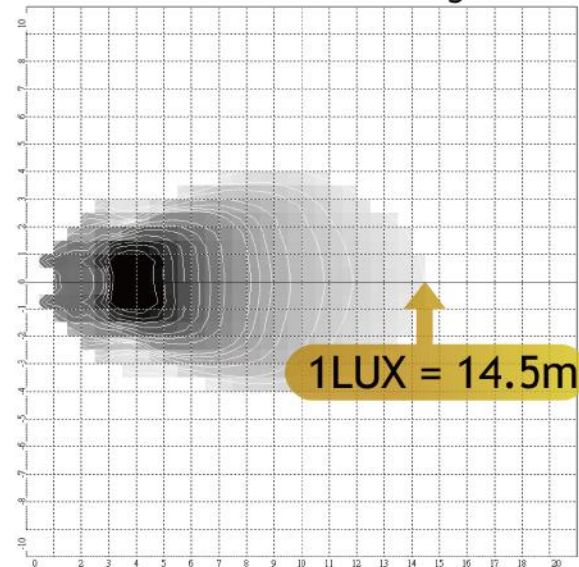
Voltage:	9-64V DC
Body / Housing:	Aluminium
Power Consumption:	27.6W
LED Color Temperature:	5700K
Raw Lumen Output:	3900Lm
Effective Lumen Output:	1700Lm

ENHANCE SAFETY FOCUSED LIGHTING

Maximize safety and visibility, specially designed for working environments! The light is focused on targeted areas to enhance operational precision. The glare-free design ensures that people near the vehicle are not dazzled. Ideal for warehouses, industrial sites, and confined working spaces, improving safety for both personnel and equipment.

C2-3031

1.8m high at 0°



*All the specifications are subject to change without notice

FORKLIFT SAFETY LAMPS



C2-3024

SERIES +

Safety warning light is suitable for forklift applications to improve the presence of surrounding forklifts and to keep pedestrians away from approaching forklifts.



Forklifts



C2-3024 A

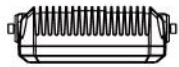


Forklifts



C2-3024 B

Pattern



1200 lux



1m 1m x 0.15m

300 lux



2m 1.9m x 0.3m

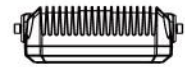
75 lux



3m 2.75m x 0.4m

Power Consumption	24W
Max. Light Output	1030 Lm

Pattern



1000 lux



1m 1m x 0.15m

250 lux



2m 1.9m x 0.3m

62 lux



3m 2.75m x 0.4m

Power Consumption	20W
Max. Light Output	673 Lm

9-33V
MULTI
VOLT

PC
LENS

IP67

IP69K

10G
Vibration
Rating

ECE R10
EMC

ISO 13766
EMC

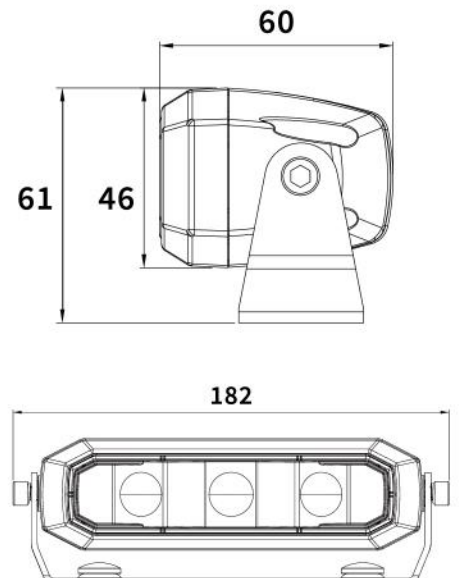
-30 - +65 °C



C2-3024 A



C2-3024 B



*All the specifications are subject to change without notice

INTERIOR MAP READING LAMP WITH USB-C CHARGER



C2-270B

SERIES+



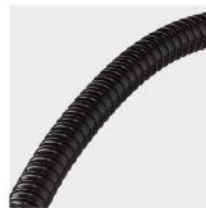
The C2-270B LED interior reading lamp features a flexible tube for easy angle adjustment, ideal for commercial vehicles, buses, and marine cabins. Its soft, glare-free light ensures comfortable reading

and operation at night. Available in 150mm and 300mm lengths, it combines durability, efficiency, and elegant design for versatile interior applications.

C2-270B**SERIES+**

SMART LIGHT FOR SMARTER SPACE

C2-270B brings comfort and clarity to every cabin. With its flexible neck and glare-free LED, it's perfect for map reading, maintenance checks, or quiet nights on the road. Built tough, yet elegantly designed — the perfect balance of function and form.



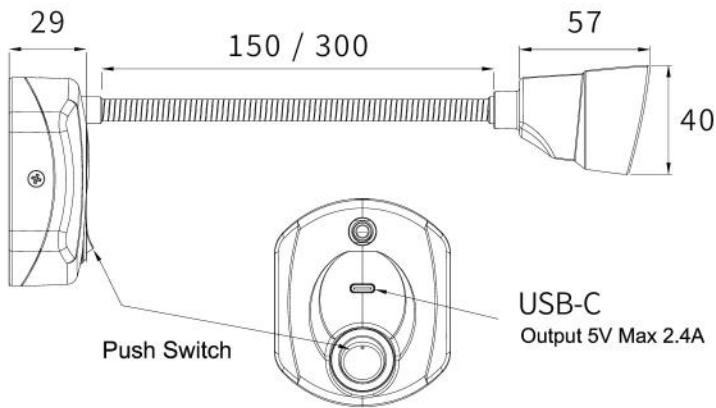
**FLEXIBLE
GOOSENECK**



**USB-C
CHARGING**



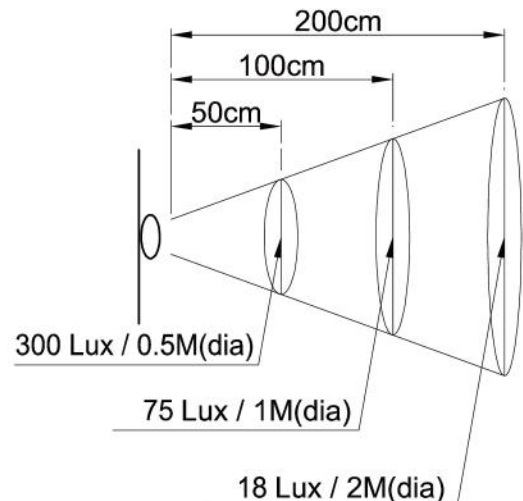
**STABLE
LIGHT**



Voltage	12-24V DC (9-33V)
Power Consumption	Lamp: 2.5W USB-C: 2.4A
LENS	PC
LED Type	SMD White x1
Light Output	White 200 Lm
Max Illuminance	White 300 Lux/50cm
EMC	EN 50498
SW Function	OFF - ON

FLEXIBLE LIGHT FOR EVERY JOURNEY

C2-270B LED Interior Map Reading Lamp features a flexible gooseneck for easy angle adjustment. Ideal for commercial vehicles, buses, and marine cabins, it provides soft, glare-free illumination. Available in 150mm and 300mm lengths to suit different interior spaces.



*All the specifications are subject to change without notice

DUAL-STAGE INTERIOR LIGHT WITH NIGHT LIGHT



C2-277

DUAL-STAGE

DUAL-STAGE INTERIOR LIGHT WITH SWITCH

This premium interior light features a dual-stage function—switch between white and yellow light to suit different environments. Built with durability and style in mind, it is ideal for marine vessels, RVs, and campers. Certified with IP54, R10, and EN60945,

EMC-compliant, and marine-grade performance. Sleek and compact, this light is proudly made in Taiwan, delivering reliable quality with a refined look.



C2-277

DUAL-STAGE



▲ C2-277B
C2-277A ▶



NIGHT



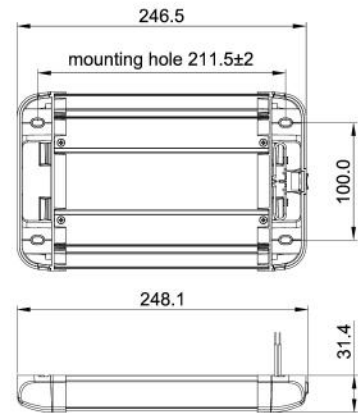
MAIN



INTERIOR LAMP WITH SWITCHABLE DAYLIGHT AND NIGHTLIGHT SETTINGS

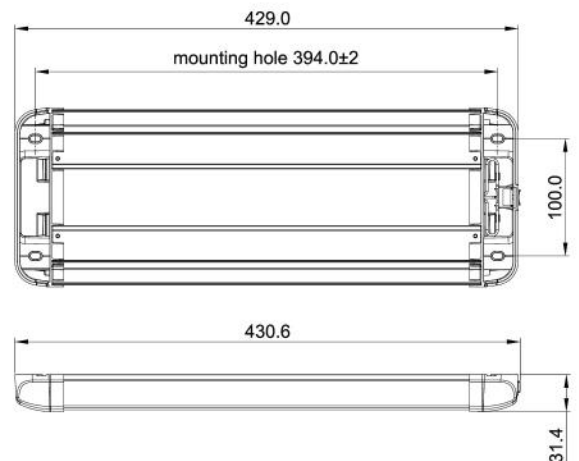
C2-277A

Power Consumption	Main Light:7W / Night Light:1.2W
LED Color Temperature	Main - 5700K / Night - 4000K
Light Output	Main-700 Lm / Night-60 Lm
Max Illuminance	Main - 650 / Night - 65 Lux@50cm



C2-277B

Power Consumption	Main Light:19W Night Light:1.6W
LED Color Temperature	Main - 5700K / Night - 4000K
Light Output	Main-1900 Lm / Night-170 Lm
Max Illuminance	Main - 2000 / Night - 130 Lux@50cm



*All the specifications are subject to change without notice

HIGH LUMEN

INTERIOR | EXTERIOR LAMP



C2-280

C2-283

ELEGANT DESIGN, POWERFUL PERFORMANCE

High lumen interior lamp delivers excellent illumination with a soft and comfortable light effect, ideal for the interiors of commercial vehicles, RVs, and boats. Available in both round and rectangular versions, it suits various design needs. Equipped with a built-in switch, it

allows users to easily control the lighting. With a surface-mount waterproof design, the lamp can also be applied to vehicle exteriors for versatile use.



INTERIOR

LIGHTS



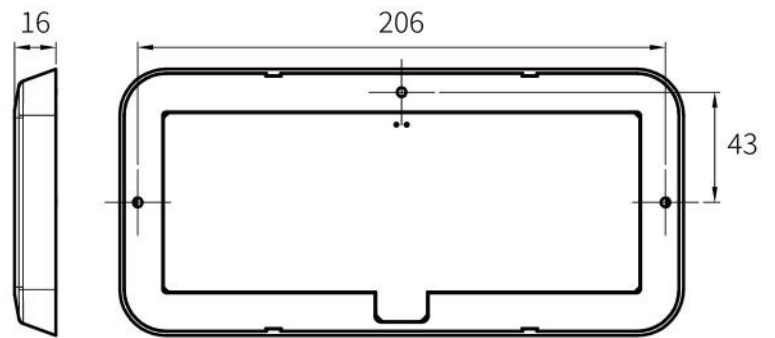
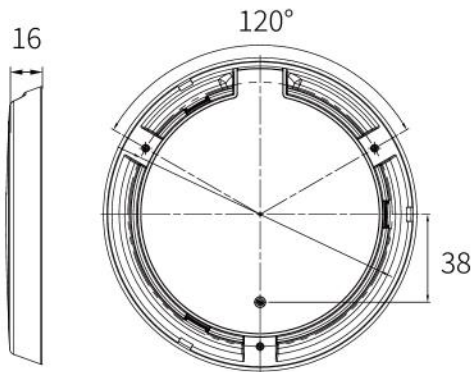
C2-280



C2-283



ELEGANT DESIGN ———
POWERFUL PERFORMANCE



Power Consumption	12 W
LED Color Temperature	5700 K
Light Output	1500 Lm
Max Illuminance	1100Lux@/50cm

Power Consumption	18W
LED Color Temperature	5700 K
Light Output	2300 Lm
Max Illuminance	1920Lux@/50cm



SIMPLICITY MEETS FUNCTION

With a built-in switch design, users can instantly turn the light on or off without additional wiring. Perfect for commercial vehicles, RVs, and marine cabins where quick operation matters. One-touch operation offers effortless control and a clean aesthetic. Ideal for drivers or passengers who value both function and design.

*All the specifications are subject to change without notice

HIGH POWERED LED AWNING / SCENE LAMPS



C2-649

SERIES

Available in three sizes, this 50° downward-beam linear light delivers safe and comfortable ground illumination. Built with IP67 waterproof protection for indoor or outdoor use, it performs reliably in any weather. Its slim profile fits cleanly into vehicles, canopies, and entrances, providing smooth, glare-free lighting.

C2-649

SERIES

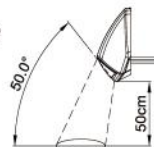


THREE SIZES FLEXIBLE FIT

DESIGNED FOR EVERY APPLICATION



Angle between the luminous surface and the ground

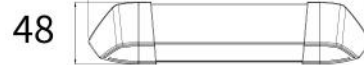


C 2 - 6 4 9 A (2 1 6 m m)

Power Consumption	3.6W
Light Output	470 Lm
Max Illuminance	240 Lux / 50cm



216



C 2 - 6 4 9 0 B (3 3 0 m m)

Power Consumption	7.5W
Light Output	900 Lm
Max Illuminance	440 Lux / 50cm

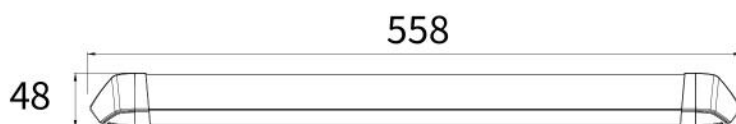


330



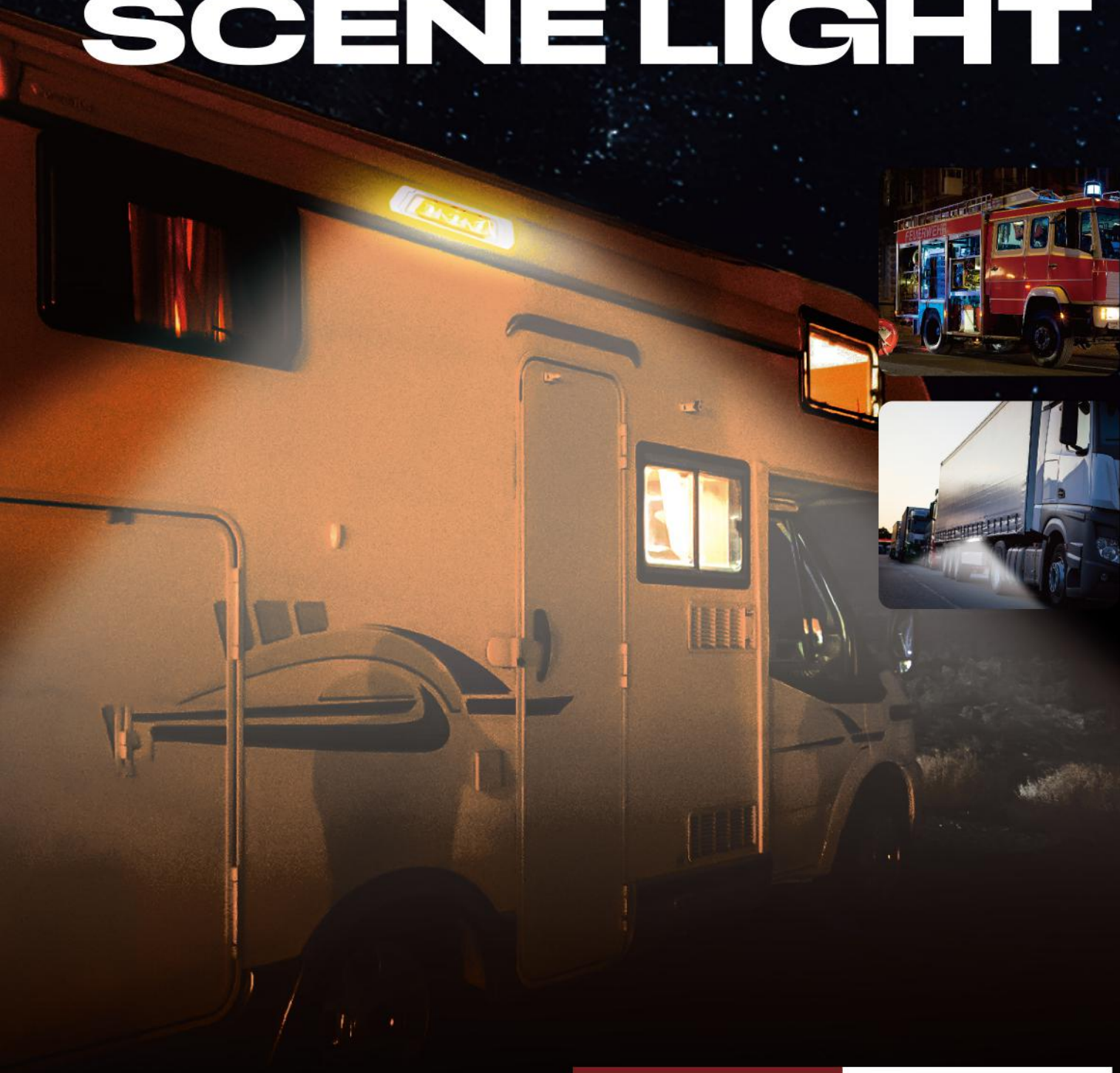
C 2 - 6 4 9 C (5 5 8 m m)

Power Consumption	15W
Light Output	1800 Lm
Max Illuminance	900 Lux / 50cm



*All the specifications are subject to change without notice

SCENE LIGHT



C2-3002

SERIES +

TWO-STAGE COLOR CHANGING + COVER REPLACEABLE MODULE

Designed specifically for commercial vehicles and emergency rescue vehicles, these lights feature superior sealing protection, ensuring no water or dust ingress and no interference with radio waves or other electrical equipment. They are also suitable for vessels and construction vehicles. In addition to offering a wide beam pattern and excellent 5700°K output, they also provide the optimal angle (40 degrees) for illumination.

C2-3002

SERIES +



Power Consumption:

White : 9W

Red : 8W

Amber : 9W

Light Output:

400Lm(White)

260Lm(Red)

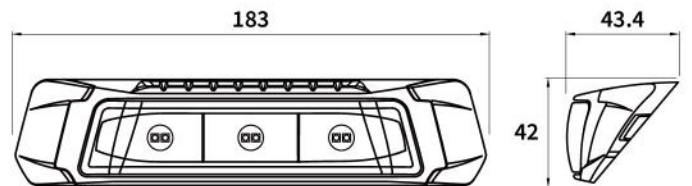
350Lm(Amber)

Lux at 50 cm :

900Lux(White)

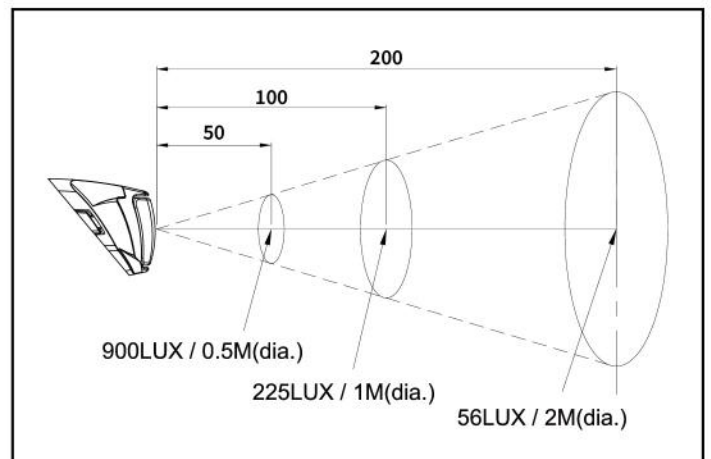
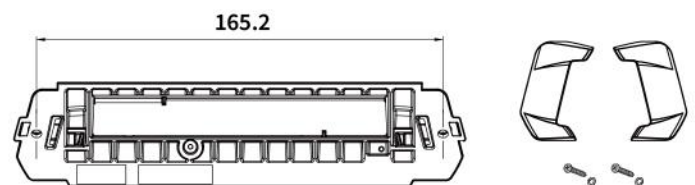
Beam Pattern(s):

Wide Flood



Mounting Hole

Parts Kit



*All the specifications are subject to change without notice

LED COMBINATION LAMPS

C2-7127



LED composite taillight with rear brake/turn signal/reverse light/reflector, suitable for small/medium trucks, buses, commercial vehicles. LED light source can bring high recognition at night and improve driving safety.

C2-7127

COMBINATION LAMPS



◀ C2-7127 (L)



C2-7127 (R) ▶



TAIL



REVERSE



DIRECTION

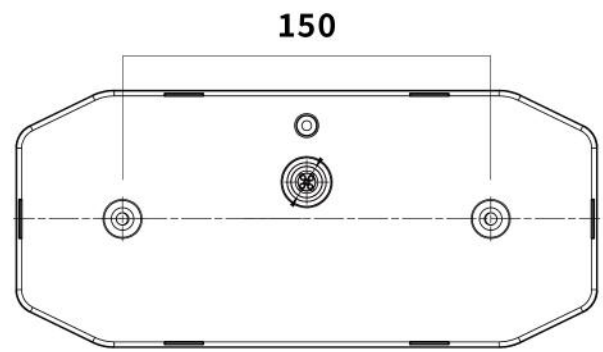
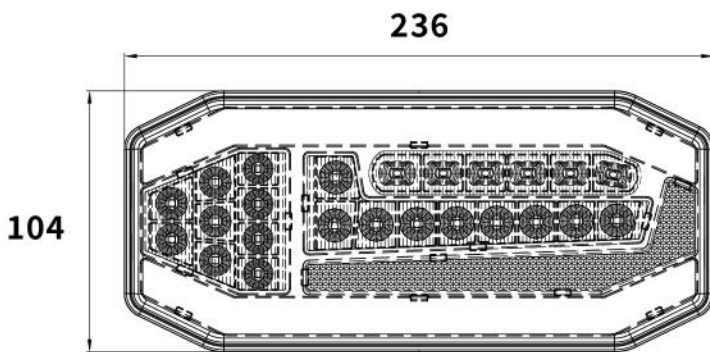


STOP



■ POWER CONSUMPTION : TAIL / 4W | STOP / 2W | DIRECTION / 3W | REVERSE - 2W

■ APPROVAL : ECE R148/ R150



HIGH-PERFORMANCE COMPOSITE LED TAILLIGHT FOR COMMERCIAL VEHICLES

LED composite taillight with rear brake/turn signal/reverse light/reflector, suitable for small/medium trucks, buses, commercial vehicles. LED light source can bring high recognition at night and improve driving safety

The whole machine is waterproof, UV-resistant, corrosion-resistant, impact-resistant and shock-resistant to ensure ultra-long service life and pass automotive specification tests. Complies with E4 EU traffic regulations certification

X-STOP

COMBINATION LAMPS



C2-7218

**COMBINATION
LAMPS**

This combination tail lamp features a distinctive X-shaped brake light pattern that significantly enhances rear visibility and driver response. With integrated indicator, brake, reverse light, and reflector, and powered by high-brightness LEDs, it delivers clear, vivid, and highly recognizable rear illumination, combining safety with modern design.

C2-7218

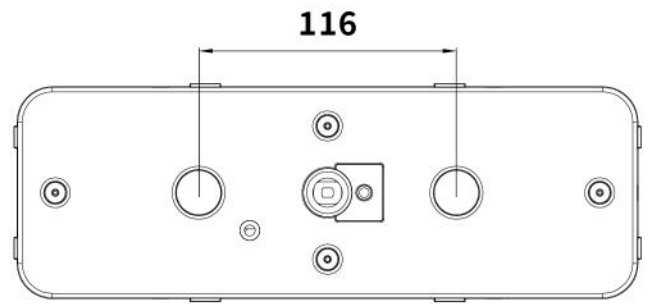
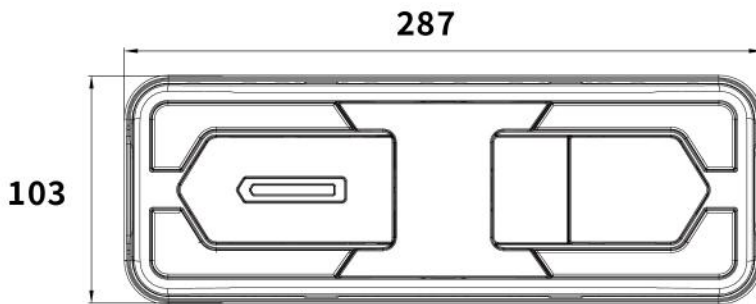
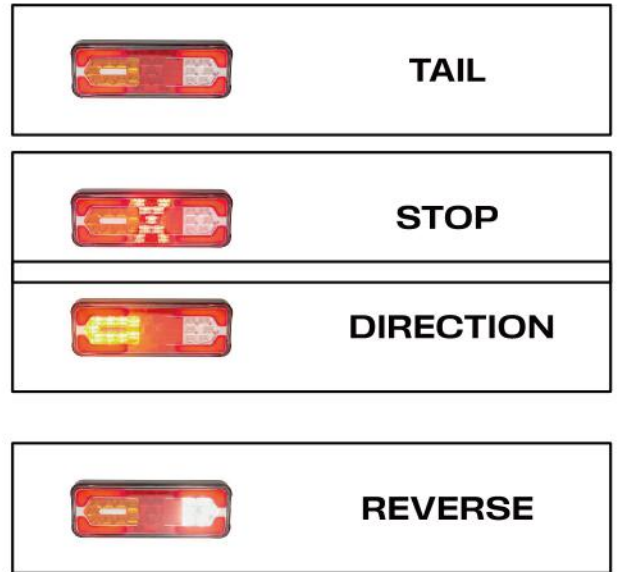
COMBINATION LAMPS



◀ C2-7218 (L)



C2-7218(R) ▶



- POWER CONSUMPTION : 1W(TAIL) | 2W(STOP) | 3W(DIRECTION) | 2W(REVERES)
- APPROVAL : ECE R148/ R150



HIGH-PERFORMANCE COMPOSITE LED TAILLIGHT FOR COMMERCIAL VEHICLES

The C2-7218 LED combination taillight integrates brake, turn signal, reverse light, and reflector in one durable unit. Its distinctive X-shaped brake light provides high visibility and clearer safety signaling. Built to withstand harsh environments, it is waterproof, UV-resistant, corrosion-resistant, and impact-resistant, delivering reliable long-term performance. Fully compliant with E4 EU regulations.

C2-923

MODULAR

LED PORTABLE FLOODLIGHT

ONE BASE x FIVE LIGHT HEADS

- ◆ Cigarette Charger Support
- ◆ 180cm Lighting
- ◆ Foldable Handle



FLOODLIGHT



LINE SAFETY LIGHT



360° WORK LIGHT



U-SHAPE SAFETY LIGHT



ARROW SAFETY LIGHT



STANDARD CHARGING

It is easy to take and store the floodlight with one hand. The adjustable bracket of floodlight can be extended to the maximum height of 180cm. It adopts the high-quality SMD LED light source and 2-stage switch to adjust the brightness.



C2-923

SERIES



The C2-923 Series is designed for versatile on-site lighting. With DT connectors, users can easily swap light heads to adapt to different lighting needs. The foldable support structure allows for compact storage and convenient portability. Powered by a built-in battery, it operates completely cordless—ready for use anytime, anywhere.



FLOODLIGHT

C2-923	
Power Consumption	24W
Body	Aluminum ABS
LENS	PC
EMC	EN55015
Effective Lumen Output	900 Lm (Low) 1600 Lm (High)
Color Temperature	5700K



360° WORK LIGHT

C2-923FA	
Power Consumption	24W
Body	Aluminum PA66 + 15%GF
LENS	PC
EMC	EN55015
Effective Lumen Output	900 Lm (Low) 1600 Lm (High)
Color Temperature	5700K



LINE SAFETY LIGHT

C2-923FB	
Power Consumption	25W
LENS	PC
Body	Aluminium
EMC	EN55015
Color Temperature	Green



U-SHAPE SAFETY LIGHT

C2-923FC	
Power Consumption	11W
LENS	PC
Body	Aluminium
EMC	EN55015
Color Temperature	Red



ARROW SAFETY LIGHT

C2-923FD	
Power Consumption	8W
LENS	PC
Body	Aluminium
EMC	EN55015
Color Temperature	Green



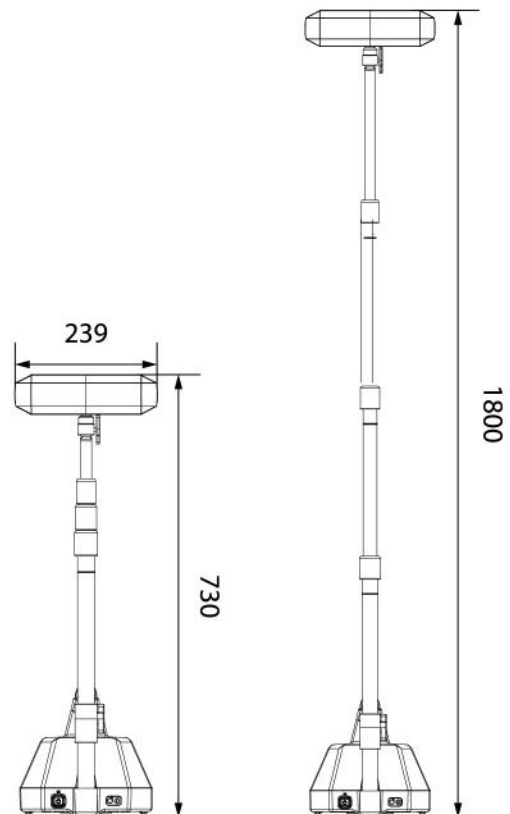
▲ SWAP HEADS FOR DIFFERENT LIGHTING



▲ CIGARETTE LIGHTER POWER MODULE SUPPORT



▲ DT QUICK CONNECT LIGHT HEAD REPLACEMENT



High : 1600Lm
Low : 900Lm

IP66
(For Lamp)

3.5H

12V | 14Ah
(Lead-acid)

*All the specifications are subject to change without notice

ULTRA POWER

— INSPECTION LAMP —



GEN : (X) ✦

C2-927X / C2-929X

UP TO 950 LUMENS REINFORCED VERSION

The X series is built on the proven reliability of previous generations, with comprehensive upgrades in structure, durability, and real-world usability. Now enhanced with a high-output version delivering up to 950 lumens, providing stronger illumination when demanding

conditions require more. It's not a new product you have to relearn — it's the one you already trust, evolved.

C2-927X

PORTABLE INSPECTION LAMPS



Voltage AC Input:100~240V (Adapter)
DC Input: 5V/1A (USB-C)

LED Color Temperature 5700K

Light Output High 950 Lm / Low 500 Lm
Top 100 Lm

Max Illuminance High 950Lux / 50cm

Charge Time 4hr

Operating Time High 2.5hr / Low 5hr
Top 8hr

Battery Type Li-ion 3.70 V 3350mA

C2-927X



HOOK



DOME LIGHT



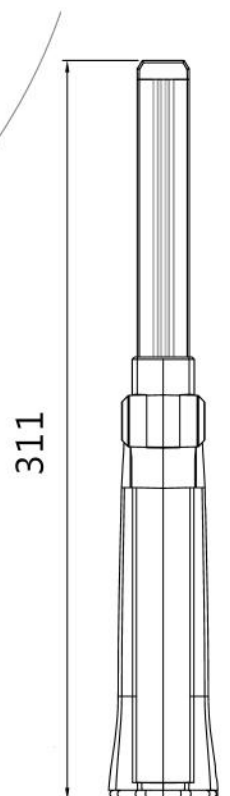
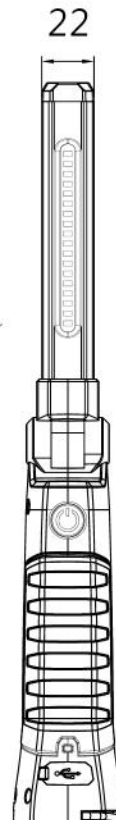
MAGNET

The portable LED inspection lamp with a flexible tube is ideal and specially designed for professionals in construction engineering, plumbing & electrical renovation and automobile & machinery repair applications.



High : 950Lm
Low : 500Lm
TOP : 100Lm

High : 2.5H
Low : 5H
TOP : 8H



ULTRA POWER

— INSPECTION LAMP —

GEN : (X) ✦

C2-927X / C2-929X

UP TO 950 LUMENS REINFORCED VERSION

The X series is built on the proven reliability of previous generations, with comprehensive upgrades in structure, durability, and real-world usability. Now enhanced with a high-output version delivering up to 950 lumens, providing stronger illumination when demanding

conditions require more. It's not a new product you have to relearn — it's the one you already trust, evolved.

C2-929X

PORTABLE INSPECTION LAMPS



Voltage	AC Input:100~240V (Adapter) DC Input: 5V/1A (USB-C)
LED Color Temperature	5700K
Light Output	High 950 Lm / Low 500 Lm Top 100 Lm
Max Illuminance	High 950Lux / 50cm
Charge Time	4hr
Operating Time	High 2.5hr / Low 5hr Top 8hr
Battery Type	Li-ion 3.70 V 3350mA



High : 950Lm
Low : 500Lm
TOP : 100Lm

High : 2.5H
Low : 5H
TOP : 8H

4H

The portable LED inspection lamp with a flexible tube is ideal and specially designed for professionals in construction engineering, plumbing & electrical renovation and automobile & machinery repair applications.



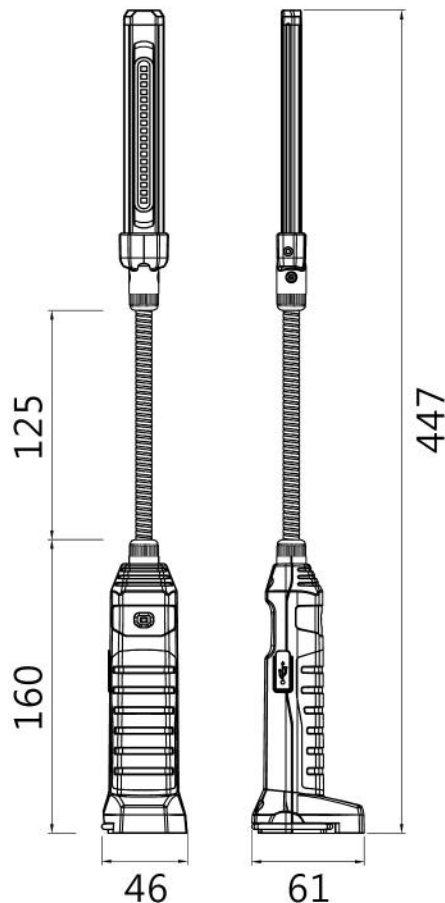
HOOK



DOME LIGHT



MAGNET



PORTABLE FLOODLIGHTS



C2-939

**PORTABLE
FLOODLIGHTS**

A portable, glare-free floodlight with wide, soft illumination and a durable foldable stand for any work environment.

C2-939

PORTABLE FLOODLIGHTS



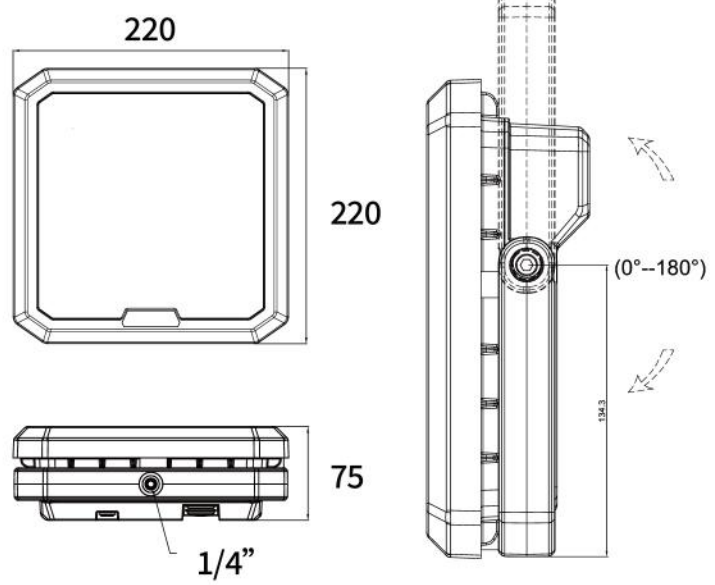
Voltage

AC Adapter-Input:
100~240V AC
DC Input: 18.0V/2.0A
5.5*2.1DC Jack

LED Color Temperature	5700k
Light Output	High 2080Lm/ Low 980Lm
Charge Time	1.5hr
Operating Time	High 3.0hr/ Low 5.8hr
Battery Type	Li-ion 7.4V 3350mAh*2PCS
IP Rating	IP65



HEIGHT MAX
280 CM



COMPATIBLE WITH STAND USE

High : 2080Lm
 Low : 980Lm

IP65
 (For Lamp)

1.5H

High : 3H
 Low : 5.8H

GLARE-FREE ILLUMINATION



LOCK HOLE INDICATOR LIGHT ROTATING STAND

A compact, glare-free floodlight designed for versatile work environments. Its wide diffused panel delivers smooth, comfortable illumination, while the durable foldable stand allows easy positioning for any task—indoors or outdoors. Reliable, portable, and built for everyday use.

360° PORTABLE LED WORK LAMP WITH TRIPOD



C2-933

**PORTABLE
FLOODLIGHTS**

This 360° area work light is engineered for large jobsites and night operations, delivering uniform all-around illumination that eliminates dark spots and shadows. With high-lumen output and wide-area coverage, a single unit can light up an entire work zone, significantly improving both safety and productivity.

C2-933

PORTABLE FLOODLIGHTS



MAGNETIC



HOOK

Offered in both DC and AC versions, this 360° area work light is designed to match a wide range of power systems and jobsite conditions. From mobile field operations and generator-powered setups to permanent work areas, it delivers stable, reliable illumination for continuous professional use.



DC VERSION



AC VERSION



Voltage

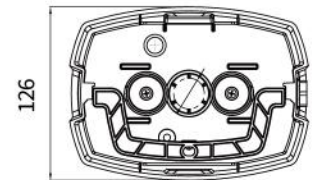
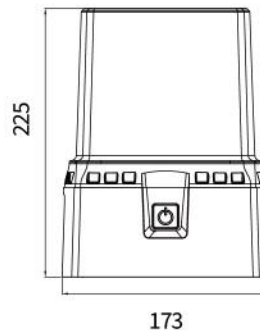
AC Adapter-Input:100~240V AC
DC Input: 18.0V/2.0A

C2-933DA

Light Output	High 1600 Lm/ Low 800Lm
Charge Time	3 hr
Operating Time	High 4 hr/ Low 7 hr
Battery Type	Li-ion 7.4V 3350mAh* 4 PCS
Operating Temperatures	-10°C ~ +40°C

C2-933DB

Light Output	High 1160 Lm/ Low 570Lm
Charge Time	1.5 hr
Operating Time	High 3 hr/ Low 6 hr
Battery Type	Li-ion 7.4V 3350mAh* 2 PCS
Operating Temperatures	-10°C ~ +40°C



C2-933AC

Voltage	AC Input: 110V-220V AC
LED Color Temperature	5700K
Light Output	High 2600Lm
IP Rating	IP65
Operating Temperatures	-30°C ~ +65°C

PORTABLE FLOODLIGHTS



C2-935

SERIES +



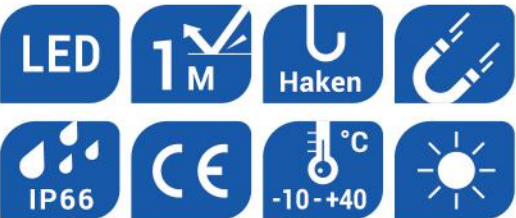
The rechargeable work lamp with the slim aluminum alloy body, uniform flood beam and light output of 1,300Lm is equipped with strong magnets and 1/4" mounting hole which can be installed on tripods or scaffolds.

C2-935

PORTABLE FLOODLIGHTS



C2-935A



High : 1300Lm
Low : 640Lm

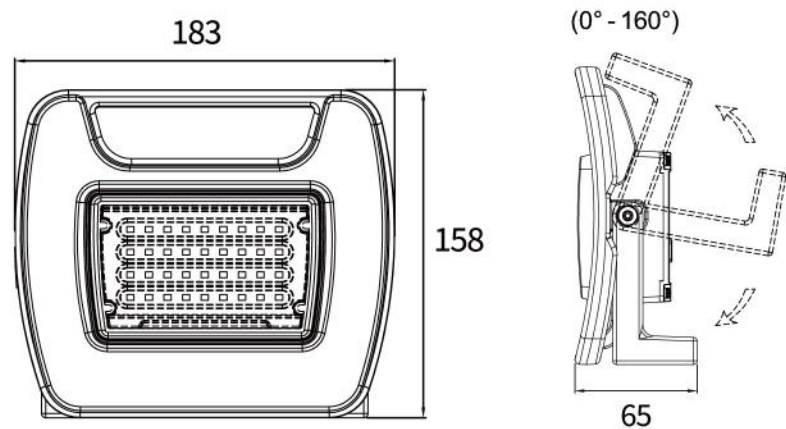


C2-935B

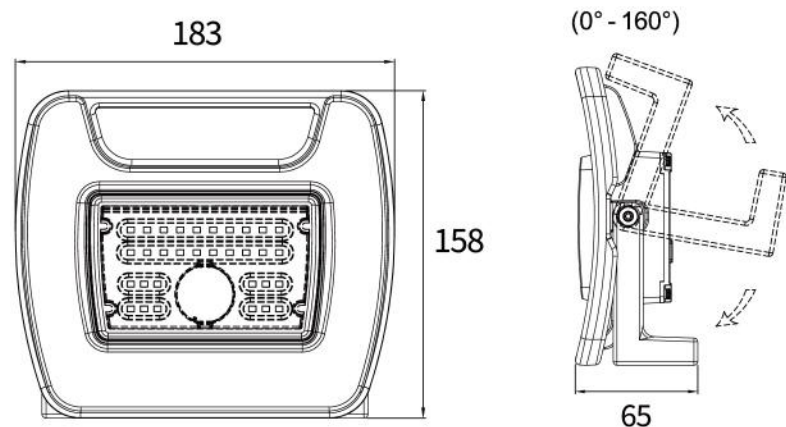


High : 1300Lm
Low : 640Lm
Spot : 350Lm
Full : 640Lm

<i>Voltage</i>	AC Input: 100 ~ 240 V AC (Adapter)
	DC Input: 9 V / 2A (DC-JACK)
	DC Output: 5V/ 2A (USB)
<i>Colour Temperature</i>	5700K
<i>Max Illuminance</i>	High: 1600 Lux/ Low 730 Lux
<i>Charge Time</i>	2.0H
<i>Operating Time</i>	High: 2.0 H/ Low: 4.0 H
<i>Battery Type</i>	Li-ion 7.4V 3350mAh



<i>Voltage</i>	AC Input: 100 ~ 240 V AC (Adapter)
	DC Input: 9 V / 2A (DC-JACK)
	DC Output: 5V/ 2A (USB)
<i>Colour Temperature</i>	5700K
<i>Max Illuminance</i>	High: 1500 Lux/ Low: 700 Lux/ Spot: 15650 Lux/ Full: 16000Lux
<i>Charge Time</i>	2.0H
<i>Operating Time</i>	High: 2.0H/ Low: 4.0H/ Spot: 3.0H/ Full: 2.4H
<i>Battery Type</i>	Li-ion 7.4V 3350mAh



*All the specifications are subject to change without notice

PORTABLE LED MAGNETIC WARNING LIGHT



C2-940

SERIES +



MAGNETIC FEATURE



MULTI-ANGLE FOLDING



WATERPROOF IPX5

The C2-940 PORTABLE LED MAGNETIC WARNING LIGHT easily attaches to trucks and equipment with its MAGNETIC FEATURE, ensuring quick deployment in emergencies. Its MULTI-ANGLE FOLDING design allows flexible positioning for maximum visibility, reducing risks in low-light conditions. With high-brightness LED and multiple flashing modes, it's perfect for truck drivers and construction workers, enhancing safety during night operations and roadside stops.

C2-940

SERIES+



Voltage	DC input 5V/1A USB - C
LED Color Temperature	White / Amber / Red
Max Illuminance	150 Lux
Light Output	200 lm
Charge Time	2.5 hr
Operating Time	Light ON : 3hr / Flashing : 6hr
Battery Type	Li-ion 3.7V 800 mAh
Material	-Base: PA66+GF -Lens: PC -Housing: PC -Cover: PC



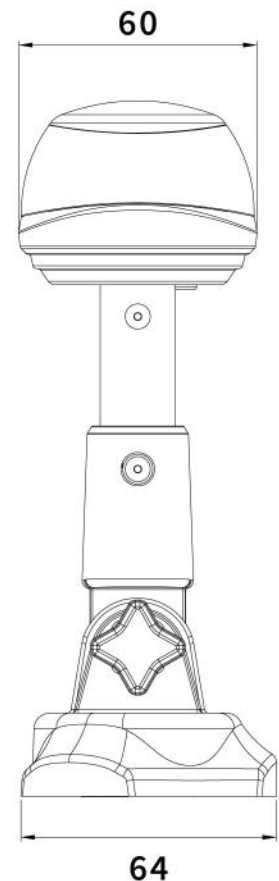
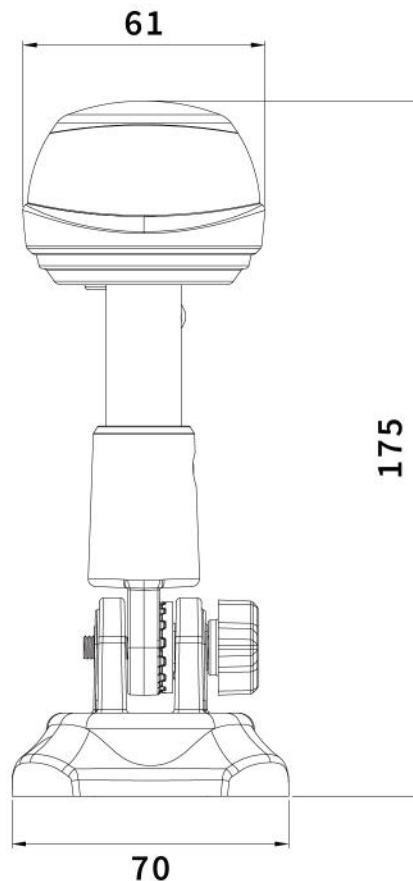
C2-940 AE



C2-940 BE



C2-940 CE



200Lm



IPX5



2.5H



3H



-10 - +40

*All the specifications are subject to change without notice

SOS 360°

MAGNETIC WARNING LIGHT



Amber warning light



White work light



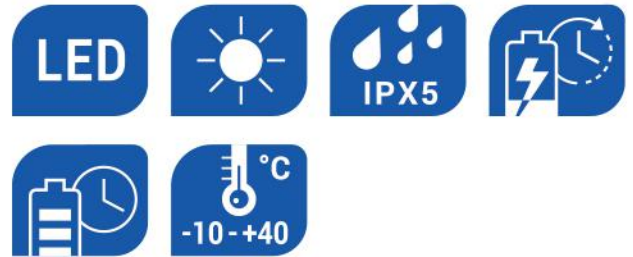
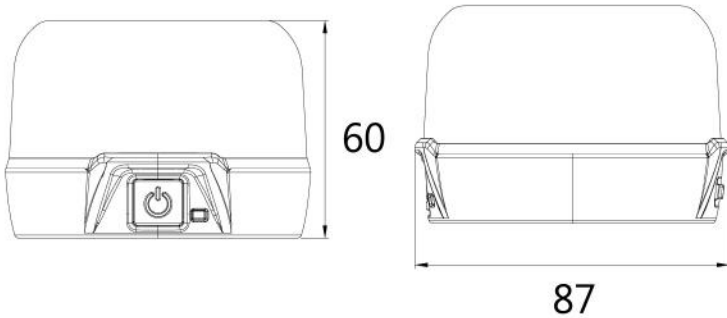
Flash light

The Magnetic Warning Light combines illumination and safety in one portable design. With multiple lighting modes and a strong magnetic base, it's ideal for road emergencies, outdoor work, or vehicle repair.

C2-7814



Rating	DC input 5V/1A USB-C
LED / Operating Time	amber / 4 hr
	white / 4 hr
	white / 4 hr
Charge Time	3.5 hr
Luminous Flux	Mode 1 (amber) : 243 lm
	Mode 2 (white) : 284 lm
	Mode 3 (white) : 243 lm
Battery Type	Li-ion 3.7V 2200mAh
EMC	EN55015



Amber warning light



White work light



Flash light

MULTI-FUNCTION MAGNETIC WARNING LIGHT



The Magnetic Warning Light combines illumination and safety in one compact, portable design. Featuring multiple lighting modes — including steady white light, amber flash, and spot beam — it delivers versatile performance for roadside emergencies, outdoor work, or vehicle maintenance. A strong magnetic base ensures secure mounting on any metal surface. Built with a Type-C fast-charging port and high-brightness LED module, it provides reliable power, long-lasting performance, and clear visibility when you need it most.

OE STYLE DUAL USB CHARGER



A13-233AC

A13-233C27



A13-265AC

A13-265AC27



A13-267AC

A13-267C45

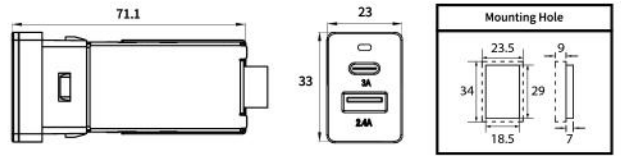


▼ All the specifications are subject to change without notice.



A13-265AC

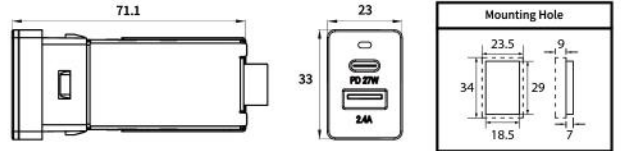
A13-265AC27



A13-265AC

Max Output Power:

- USB-C : 3A ■ USB-A : 2.4A



A13-265AC27

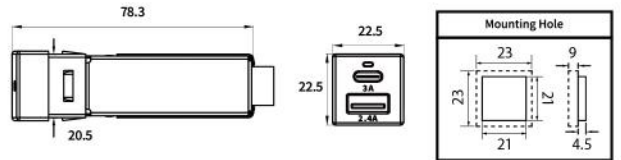
Max Output Power:

- USB-C : PD27W (5V/9V/12V/15V/20V) ■ USB-A : 2.4A



A13-267AC

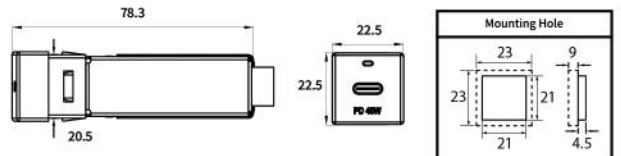
A13-267C45



A13-267AC

Max Output Power:

- USB-C : 3A ■ USB-A : 2.4A



A13-267C45

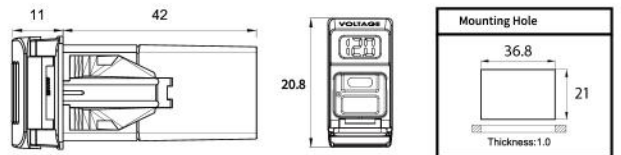
Max Output Power:

- USB-C : PD45W (5V/9V/12V/15V/20V)



A13-233AC

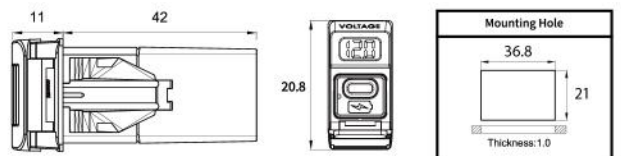
A13-233C27



A13-233AC

Max Output Power:

- USB-C : 3A ■ USB-A : 2.4A



A13-233AC27

Max Output Power:

- USB-C : PD27W (5V/9V/12V/15V/20V)

TEST EQUIPMENT

SCI establishes the in-house testing laboratory which can execute reliability testing at automotive electrical parts and lights according to international regulations. Furthermore, SCI testing laboratory has been certified by UL, thus our products can be tested under diverse environmental simulations to assure product quality.

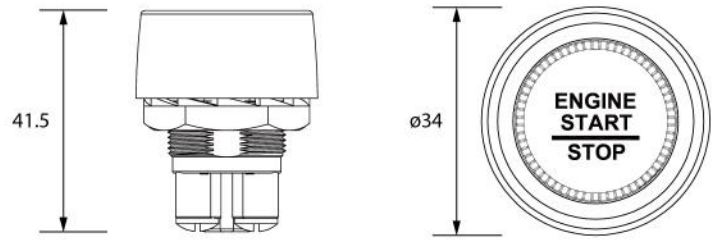


RELIABILITY

SECURITY

CONVENIENCE

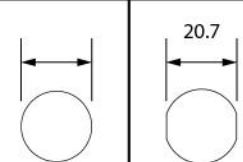
A2 - 23C



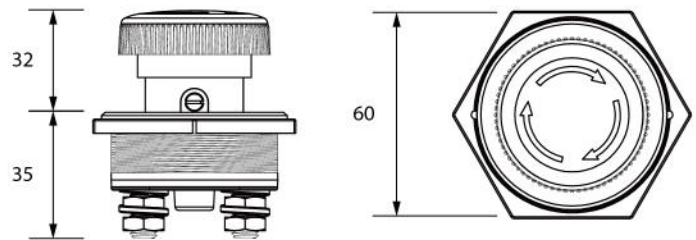
TECHNICAL DATA

Rating :	50A max. 12V DC
Contact Resistance :	50m ohm Max.
Insulation Resistance :	DC 500V 100M ohm Min.
Dielectric Strength :	AC 1500V 1 minute
Operating Temperature :	-25°C ~ +85°C
Switch Function :	3P SPST OFF-(ON)

Mount Hole



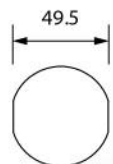
A23 - 13



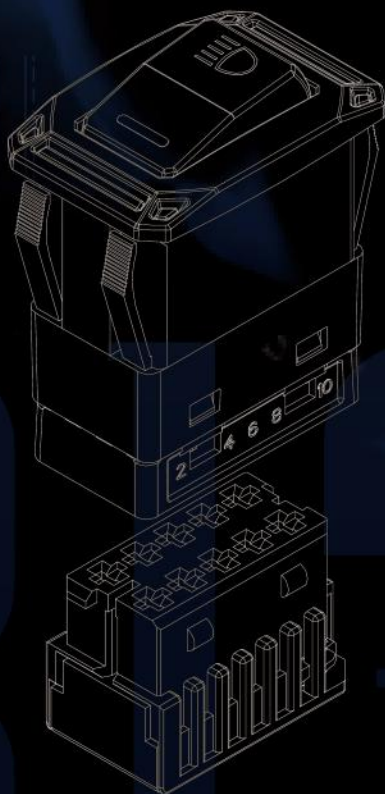
TECHNICAL DATA

Continuous Rating :	150Amps 12VDC Max
Intermittent Rating :	300Amps
Cranking Rating :	300 Amps 5 sec
Contact Resistance :	50m ohm Max
Insulation Resistance :	DC 500V 100M ohm min
Dielectric Strength :	AC 1500V 1minute
Operation Temperature :	-30°C~+60°C
Switch Function :	2P SPST OFF-ON

Mount Hole



LIGHT GUIDE ROCKER SWITCHES



R13 - 312

DC SWITCH REDEFINED

Engineered for next-gen mobility, this solution combines a high-reliability DC switch with a modular vehicle socket interface—delivering streamlined power control and connectivity in one compact system. Built with anti-vibration design, IP-rated protection, and support for

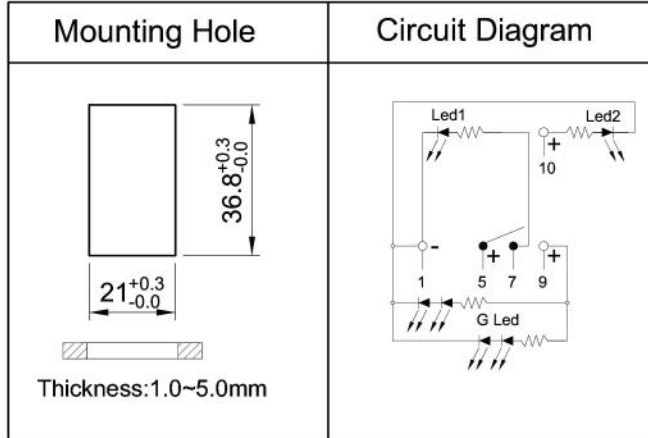
12/24V applications, it's the ideal fit for EVs, trucks, and commercial vehicles. Proudly made in Taiwan to ensure lasting performance and quality.

R13-312

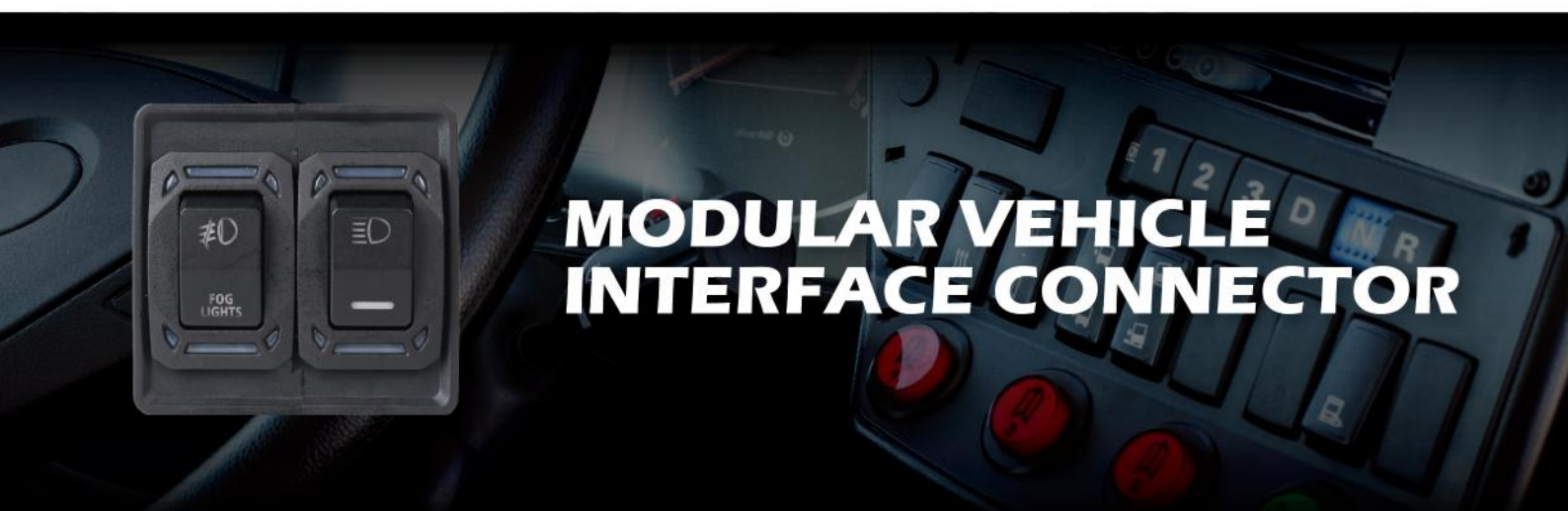
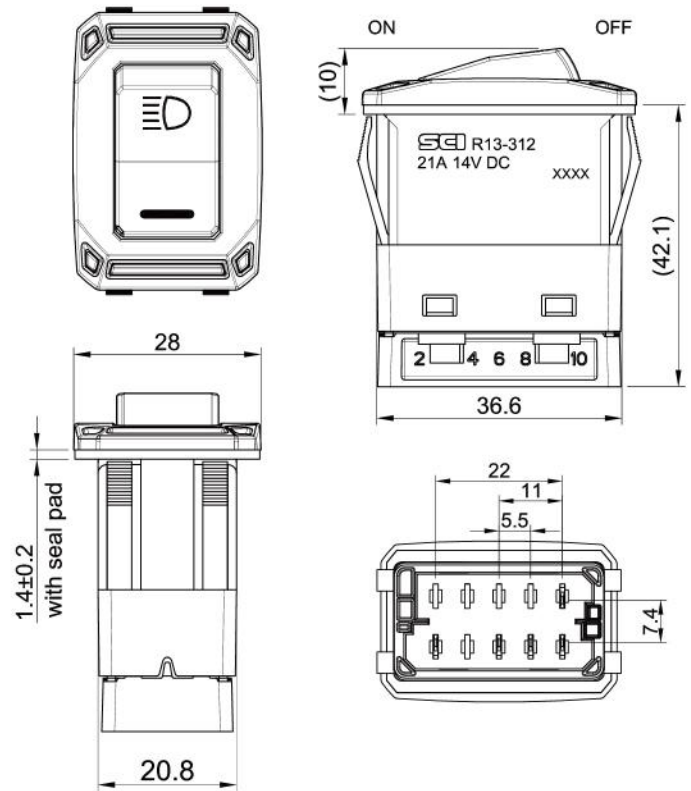


Rating	21A 14VDC
Contact Resistance	50m ohm Max.
Insulation Resistance	DC 500V 100M ohm Min.
Dielectric Strength	AC 1500V 1 minute
Operation Temperature	-25°C~+85°C
Switch Function	5P SPST ON-OFF

*Sealed: IP67 when supplied with panel seal.
 *Switch mates with TE connector housing part No.1418994-1.




*All the specifications are subject to chang without notice



MODULAR VEHICLE INTERFACE CONNECTOR

CONFIGURABLE MODULAR ROCKER SWITCHES



R13 - 305

DC SWITCH 305 SERIES

Designed for flexibility and durability, this modular switch button supports a wide range of configurations to meet diverse operational needs. Whether used in construction vehicles, industrial equipment, or marine applications, its intuitive layout and rugged design ensure

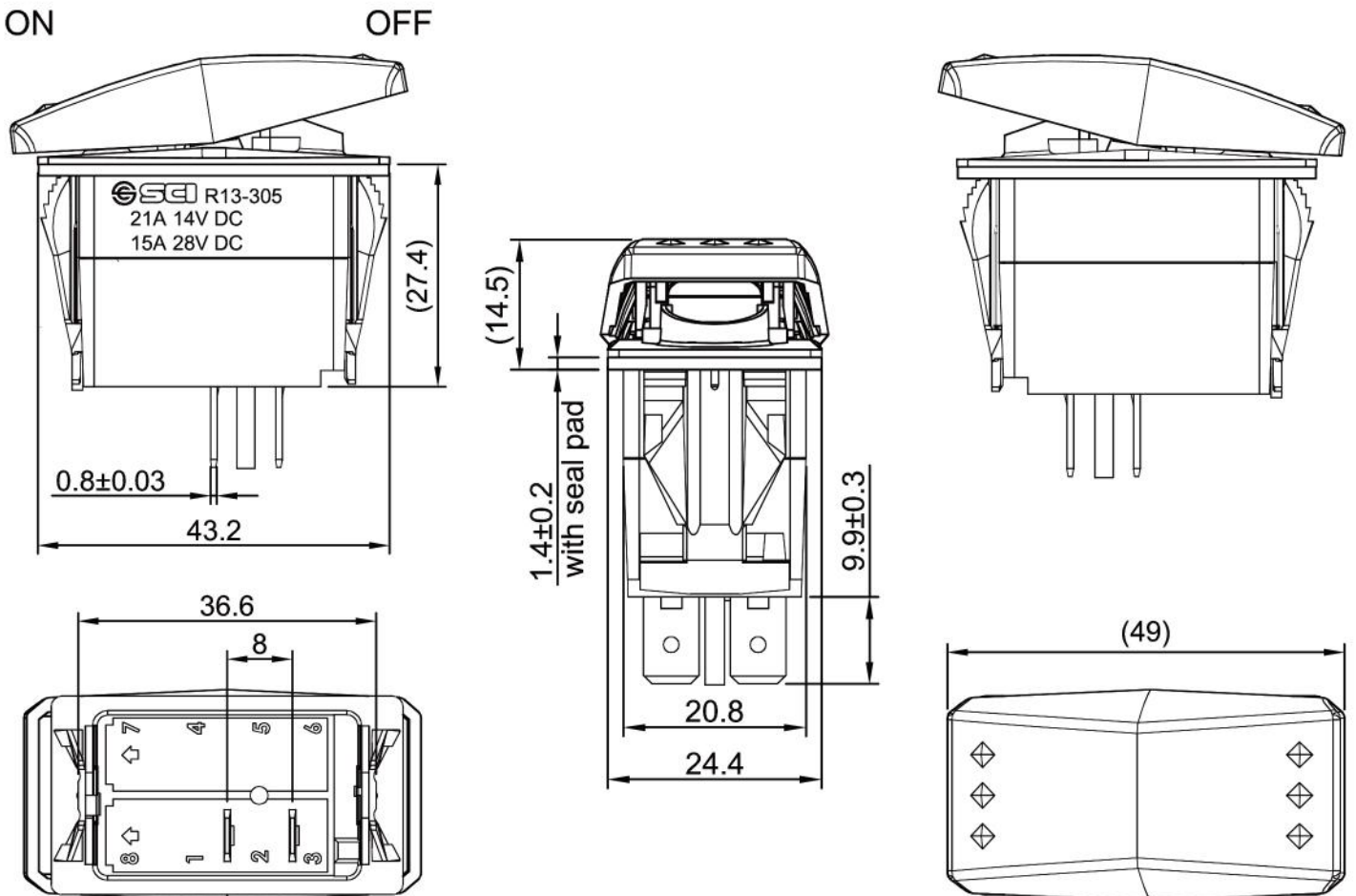
reliable performance in demanding environments. Easily expandable and customizable, it's the smart choice for modern control systems.

R13-305



*Sealed: IP67 when supplied with panel seal.

Rating	21A 14V DC 15A 28V DC	Mounting Hole 	Circuit Diagram
Contact Resistance	50m ohm Max.		
Insulation Resistance	DC 500V 100M ohm Min.		
Dielectric Strength	AC 1500V 1 minute		
Operation Temperature	-25°C~+85°C		
Switch Function	2P SPST ON-OFF	Thickness:1.0~5.0mm	



*All the specifications are subject to change without notice

DUAL COLOR MODE ROCKER SWITCHES



R13-260

R13-263

CONTROL PANEL FOR CONSTRUCTION VEHICLES

Equipped with a Dual color mode rocker switch, this panel allows operators to easily toggle between different lighting modes to suit various working conditions. Engineered for durability, the panel is built with high-quality materials to withstand harsh environments, offering intuitive control and reliable performance on any job site.

CONSTRUCTION VEHICLE CONTROL SERIES



Caravans



Specialty



Truck&Bus

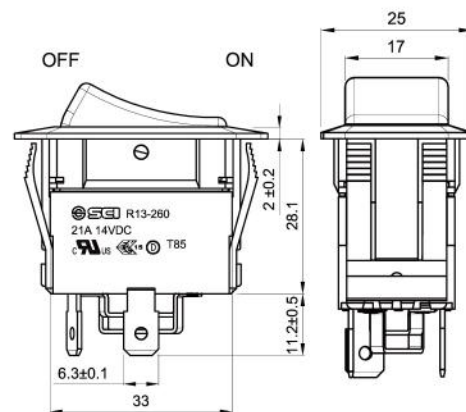
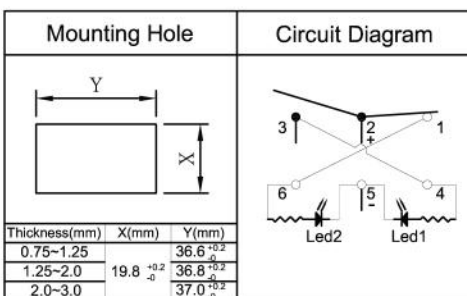


Agriculture

R13-260



Rating	21A 14VDC
Contact Resistance	50m ohm Max.
Insulation Resistance	DC 500V 100M ohm Min.
Dielectric Strength	AC 1500V 1 minute
Operation Temperature	-25°C~+85°C
Switch Function	3P SPST ON-OFF

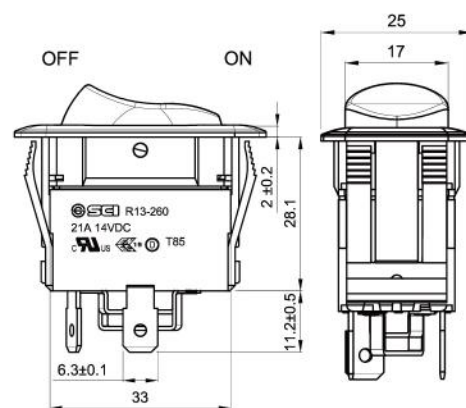
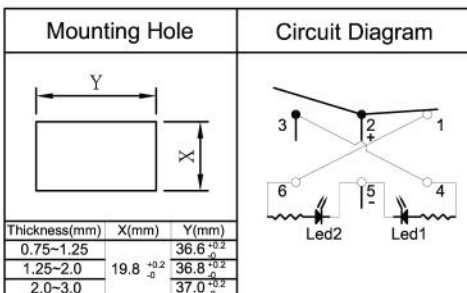


* Printed: Laser engrave.

R13-263



Rating	21A 14VDC
Contact Resistance	50m ohm Max.
Insulation Resistance	DC 500V 100M ohm Min.
Dielectric Strength	AC 1500V 1 minute
Operation Temperature	-25°C~+85°C
Switch Function	3P SPST ON-OFF



* Printed: Laser engrave.

INDICATOR LIGHT ROCKER SWITCHES SERIES



R13-307



R13-308

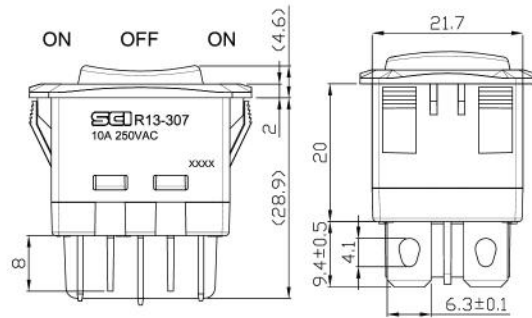


R13-309

Designed for visibility and control, our Indicator Light Switch Series integrates durable switches with built-in indicator lights, providing immediate status feedback at a glance. Ideal for vehicles, machinery, and control panels, these switches are available in various colors and configurations to suit different functional needs and environments.

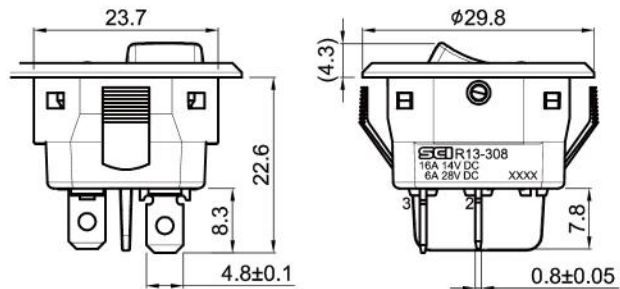


R13-307



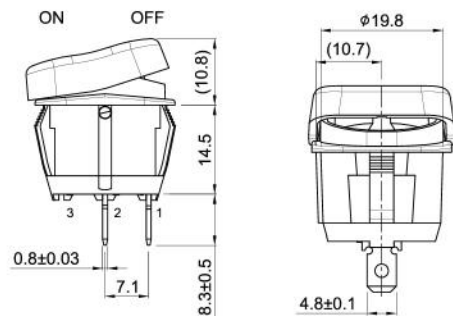
Rating	10A 250V AC	Mount Hole 	Circuit Structure 	
Contact Resistance	50m ohm Max.			
Insulation Resistance	DC 500V 100M ohm Min.	Thickness	X	Y
Dielectric Strength	AC 1500V 1 minute	0.75...1.25	29.8±0.1	22.2±0.1
Operation Temperature	-25°C~+85°C	1.25...2	30.0±0.1	
Switch Function	6P DPDT ON-OFF-ON	2...3	30.2±0.1	

R13-308



Rating	16A 14V DC 6A 28V DC 16A 125V AC 10A 250V AC	Mounting Hole 	Circuit Diagram
Contact Resistance	50m ohm Max.		
Insulation Resistance	DC 500V 100M ohm Min.	Thickness:2.0~3.0	
Dielectric Strength	AC 1500V 1 minute		
Operation Temperature	-25°C~85°C		
Switch Function	3P SPDT ON-OFF-ON		

R13-309



Rating	21A 14V DC 10A 28V DC	Mounting Hole		Circuit Diagram
Contact Resistance	50m ohm Max.			
Insulation Resistance	DC 500V 100M ohm Min.	Thickness:2.0~3.0	Thickness:0.7~3.0	
Dielectric Strength	AC 1500V 1 minute			
Operation Temperature	-25°C~85°C			
Switch Function	2P SPST ON-OFF			

ILLUMINATED ON/OFF TOGGLE SWITCHES



R13-110L4

R13-61L4

R13-61L2

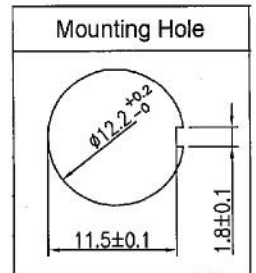
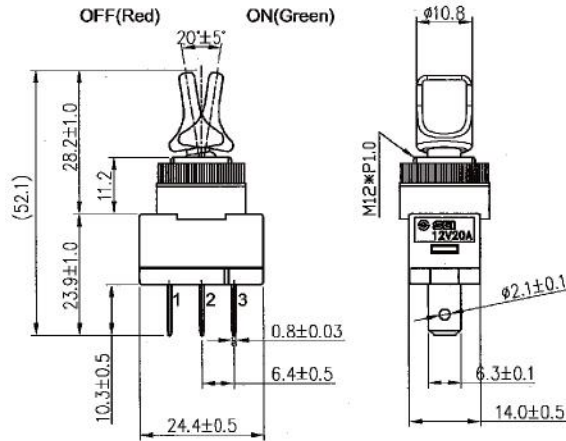
SWITCH ON. LIGHT UP. KNOW INSTANTLY.

The Illuminated Toggle Switch Series blends functionality and clarity with a refined industrial design. Each switch features color-changing LED illumination, allowing quick identification of ON/OFF or system status — even in low-light conditions. Available in multiple colors with dual-color options for clear, instant feedback. Reliable. Bright. Instinctive. Control power — and see it clearly.

R13-110L4



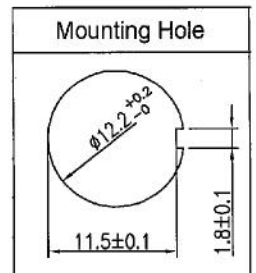
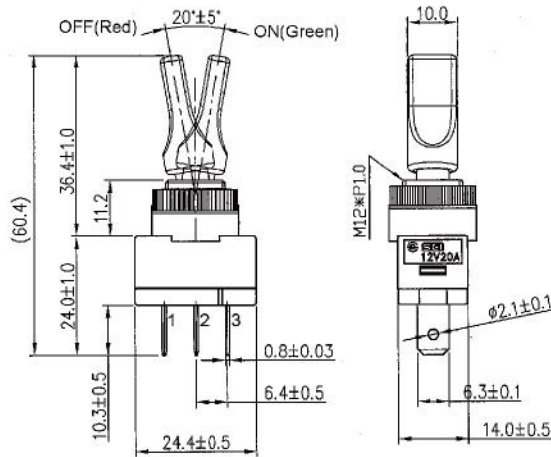
Rating	20A 12V DC
Contact Resistance	50m ohm Max.
Insulation Resistance	DC 500V 100M ohm Min
Dielectric Strength	AC 1500V 1 minute
Switch Function	3P SPST ON-OFF
LED Color	Red / Green



R13-61L4



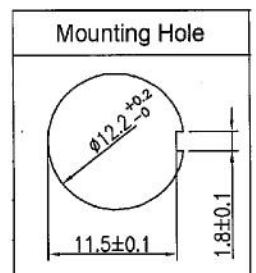
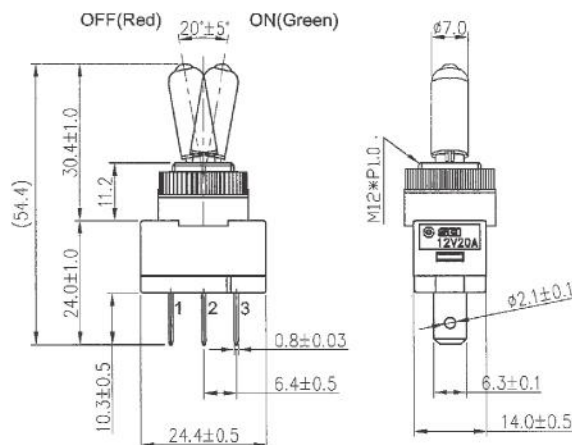
Rating	20A 12V DC
Contact Resistance	50m ohm Max.
Insulation Resistance	DC 500V 100M ohm Min
Dielectric Strength	AC 1500V 1 minute
Switch Function	3P SPST ON-OFF
LED Color	Red / Green



R13-61L2



Rating	20A 12V DC
Contact Resistance	50m ohm Max.
Insulation Resistance	DC 500V 100M ohm Min
Dielectric Strength	AC 1500V 1 minute
Switch Function	3P SPST ON-OFF
LED Color	Red / Green



ILLUMINATED TOGGLE SWITCHES



R13-423-L1



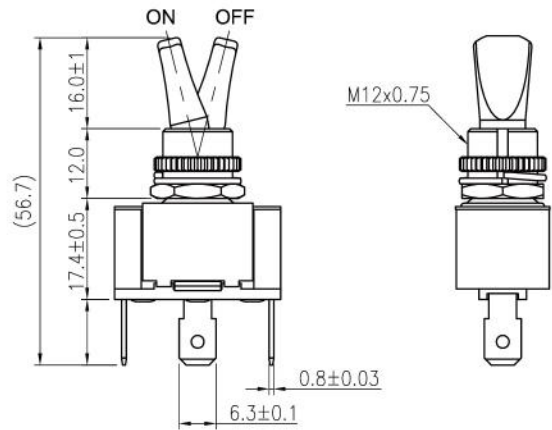
R13-423-L2

This switch combines reliable toggle control with a built-in indicator light for clear visibility in both day and night environments. Ideal for automotive, marine, and industrial applications, it enhances operational safety and provides intuitive status feedback with a single glance.

TOGGLE SWITCHES with Indicator Light



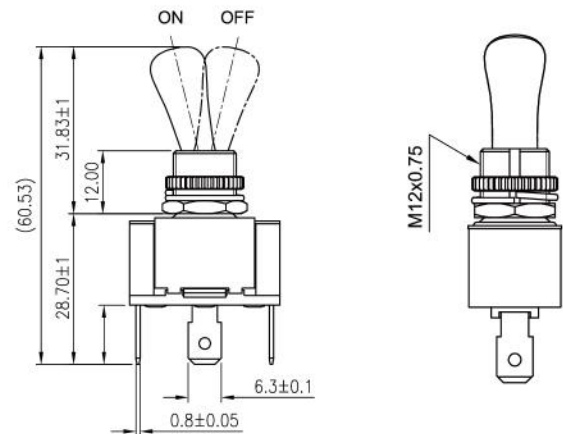
R13-423-L1



Rating	20A 12V DC
Contact Resistance	50m ohm Max.
Insulation Resistance	DC 500V 100M ohm Min.
Dielectric Strength	AC 1500V 1 minute
Operation Temperature	-20°C~85°C
Switch Function	3P SPST ON-OFF (LED)
LED Color	Red/Green

Mounting Hole	Circuit Diagram	
<p> $\phi 12.0^{+0.1}_{-0}$ 11.0 ± 0.1 1.5 ± 0.1 </p>	<p>Circuit 1</p> <p>ON : Green lighted OFF : Red lighted R=680 ohm</p>	<p>Circuit 2</p> <p>ON : Green lighted OFF : None R=680 ohm</p>

R13-423-L2



Rating	20A 12V DC
Contact Resistance	50m ohm Max.
Insulation Resistance	DC 500V 100M ohm Min.
Dielectric Strength	AC 1500V 1 minute
Operation Temperature	-20°C~85°C
Switch Function	3P SPST ON-OFF (LED)
LED Color	Red/Green

Mounting Hole	Circuit Diagram	
<p> $\phi 12.0^{+0.1}_{-0}$ 11.0 ± 0.1 1.5 ± 0.1 </p>	<p>Circuit 1</p> <p>ON : Green lighted OFF : Red lighted R=680 ohm</p>	<p>Circuit 2</p> <p>ON : Green lighted OFF : None R=680 ohm</p>

EXHIBITIONS AROUND THE WORLD

2026 METSTRADE
Marine Equipment
Trade Show

2026 TAIPEI AMPA
TAIPEI AMPA &
AutoTronics Taipei

2026 TiTE
International Hardware
Expo Taiwan

2026 Automechanika
Frankfurt am Main,
Germany

2026 AAPEX
Automotive Aftermarket
Products Expo

2026 AGRITECHNICA
Hannover Germany

AND MORE >>>

MEETING YOU AT THE EXHIBITION

Looking forward to seeing you again at the next exhibition! Each encounter is a valuable opportunity for interaction and learning. We are excited to share more of our latest products and innovative solutions with you. Your support and feedback are extremely important to us, and we hope to continue providing more value in the future. Don't miss our exciting showcase at the exhibition, and we look forward to meeting you again!

LET'S CREATE THE IMPOSSIBLE TOGETHER



IATF16949



ISO 9001



TÜV Rheinland



UL WTDP



UL WTDP IATF16949

ISO 9001 TÜV Rheinland





Headquarters

TEL : 886-6-2532181

FAX : 886-6-2424938

E-mail : info@sci.com.tw

<https://www.sci.com.tw>

Taipei Branch Office

TEL : 886-2-25014062-4

FAX : 886-2-25040685

China Factory

TEL : 86-752-3897988

FAX : 86-752-3897986

Indonesia Factory

TEL : 62-24-7627048

FAX : 62-24-7627047

