

SUPERIOR SOLUTIONS FOR GATE SAFETY & SECURITY

**GATE LOCKS &
HARDWARE
2026-27**

**GATE
LOCKS**

**GATE
CLOSERS**

**GATE
HINGES**

**GATE
ACCESSORIES**



**BUILT TOUGH
FITTED FAST**

WWW.GATEMASTERLOCKS.COM

 **GATEMASTER**

Founded in 1995, Gatemaster is the UK manufacturer of innovative ranges of gate locks, closers and hardware for metal and wooden gates.

At Gatemaster, we make gate hardware simple, strong, and built to last—no fuss, just reliable products that deliver on performance and quality. We know gate and fence professionals like you need hardware that's quick to install, works flawlessly, and stands the test of time. That's exactly what we deliver.



We aim for gate professionals worldwide to view Gatemaster products as their top choice, trusted for their reliability, durability, and ease of installation.



+1 214-872-9687



sales@gatemasterlocks.com



www.gatemasterlocks.com



Exceptional Customer Service
Expert help whenever you need it.



Built for Outdoors
Durable and weather-resistant designs.



Quick Fitting Time
Simple setup with minimal effort required.



Made in the UK
Proudly crafted with local expertise.



Superior Quality
Premium materials for lasting performance.



Worldwide Shipping
Reliable and swift delivery across the globe.

| | |
|-------------------------|-----------|
| Gate Locks | 5 |
| Superlock Range | 6 |
| SelectPro Bolt-On | 20 |
| SelectPro Weld-In | 32 |
| Wooden Gate Locks | 38 |
| Mortise Locks | 46 |
| Lock Handles | 50 |
| Gate Hinges | 52 |
| SuperHinge | 53 |
| Stop Hinge | 54 |
| Security Collars | 55 |
| Gate Closers | 56 |
| Hydraulic Gate Closer | 57 |
| Gate Closing Strut | 58 |
| Light Duty Gate Closer | 59 |
| Gate Accessories | 60 |
| Drop Rods | 62 |
| Buffers | 66 |
| Gate Safety & Security | 68 |



We make gate hardware simple so you can do what you do best.



Auto-Locking Drop Bolt - see page 62



Superlock Code Lock - see page 11



Superhinge - see page 53



Superlock Keylatch - see page 10



Superlock Range - see page 15

As a family-owned business, we're here to be your go to for gate hardware. We're committed to solving your gate challenges and helping you achieve more.

We'll steer you towards the perfect lock solutions for your needs, and if you ever have questions, don't hesitate to ask—we're always here to help.



Superlock 2.0 Bolt-On Slim & Secure

The Gatemaster Superlock, our leading range and the slimmest bolt-on lock on the market. Combining sleek design with unmatched strength, these locks deliver world-class durability and security.

6



Select Pro Bolt-On Traditional Look, Quality Feel

Our original range of gate locks, the Select Pro's traditional square design and long throw is popular around the world.

20



Weld-In Locks Seamless security

A weldable lock range for any steel gate, giving an unobtrusive and highly secure solution.

32



Wooden Gate Locks Timber Solutions

Our locks for wooden gates take the nature of timber into consideration, providing ultimate adjustability and reliability.

39



Mortise Lock Concealed Security

The Gatemaster Mortise Hook lock is a robust all-stainless steel mortise lock designed for fitting into steel box section.

47

SUPERLOCK RANGE SLIM & SECURE

The Superlock range is the hero of our gate locks. Built to make your job easier, installation is faster with just three holes required, plus it's incredibly tough while being the slimmest lock on the market.

| | |
|-------------------------------|----|
| BLD Latch Deadlock | 8 |
| BD Deadlock | 9 |
| BK Keylatch | 10 |
| BDG Code Double-Sided Keypad | 11 |
| BDGS Code Single-Sided Keypad | 12 |
| BDGRR RapidReset | 13 |
| BQDG Code Quick Exit | 14 |
| BQK Key Quick Exit | 15 |
| SGLDRR Sliding Gate Lock | 16 |
| Superlock Accessories | 17 |



1

Slim Profile: Fits seamlessly into tighter gaps on the gate.

2

Quick Fitting: Simply drill three holes and bolt the lock on.

3

Versatile: Available with a variety of hardware options to suit your needs.

4

Adjustable: Features a removable & adjustable latchbolt for easier installation.

5

Built to Last: Made for the outdoors with exceptional corrosion resistance.



WHAT'S NEW WITH SUPERLOCK 2.0?

Engineered for Greater Strength

The new one-piece casing eliminates joints and welds, providing enhanced durability and heavy-duty performance.

Longer-Lasting Protection

Improved materials and finishes provide enhanced corrosion resistance, offering better protection against weathering.

Simplified Code Changes

Changing the code is now significantly easier—you no longer need to remove the lock from the gate, only the keypad.

Modern, Sleek Design

The updated design offers a refined, contemporary look, making it the perfect fit for both residential and commercial gates.

Superlock 2.0 Bolt-On Latch Deadlock

The ultimate combination of convenience and security for your gates.

The Bolt-on Latch Deadlock offers the ease of everyday use with a latch and the enhanced protection of a deadlock. Operate the latch with the handles for daily access, and lock it securely in place with the turn of a key when needed.

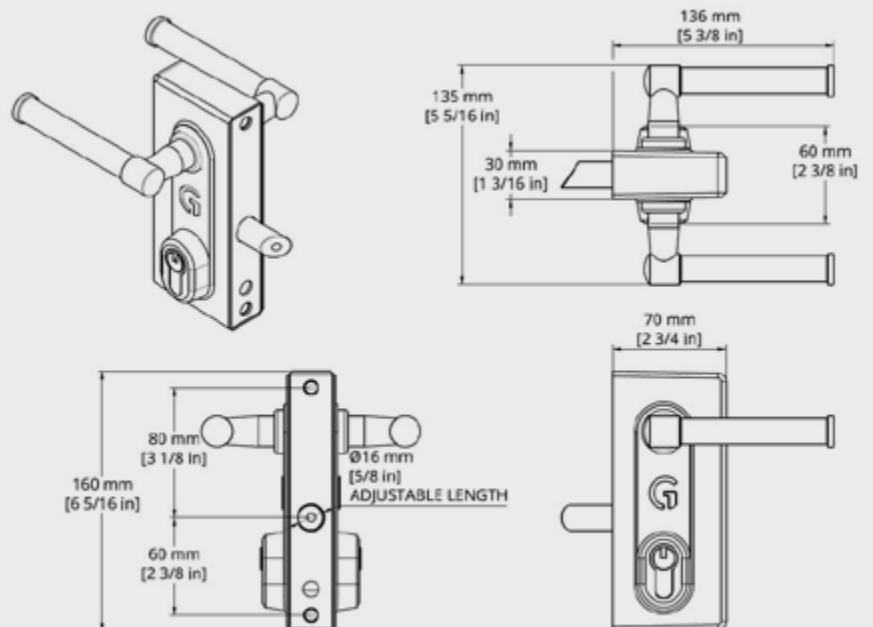
- **New Seamless One-Piece Design:** Enhanced design eliminates joints and welds, ensuring superior durability and a streamlined appearance.
- **Secure:** Features a stainless steel latchbolt that latches 5/8" into the gate post and extends to 1 3/16" when deadlocked.
- **Adaptable:** Slim 2 3/4" case design makes this lock compatible with a wide range of gate styles.
- **Convenient:** Adjustable latchbolt length and rotatable for left or right-handed gates.
- **Reliable:** Comes with a guide plate and brass bearing for long-lasting performance.
- **Versatile Sizes:** Available in two options—1030 for up to 1 1/4" gate frames and 4060 for 1 1/2" to 2 1/4" frames.
- **Supplied Handles:** Choose between the plain lever (P) or traditional handle (T) styles.
- **Double-sided Access:** Equipped with handles and key access on both sides for added convenience.
- **Enhanced Security:** Pair it with the Superlock Keep to maximize security and durability. A standard strike plate is included, but the Superlock Keep is recommended for thorough protection.



Protected with a 5-Year Warranty

AVAILABLE VERSIONS

| | |
|----------|----------------------------------------------|
| BLD1030P | To fit 3/8" to 1 3/16" - profiled handle |
| BLD4060P | To fit 1 1/2" to 2 1/4" - profiled handle |
| BLD1030T | To fit 3/8" to 1 3/16" - traditional handle |
| BLD4060T | To fit 1 1/2" to 2 1/4" - traditional handle |



Superlock 2.0 Bolt-On Deadlock

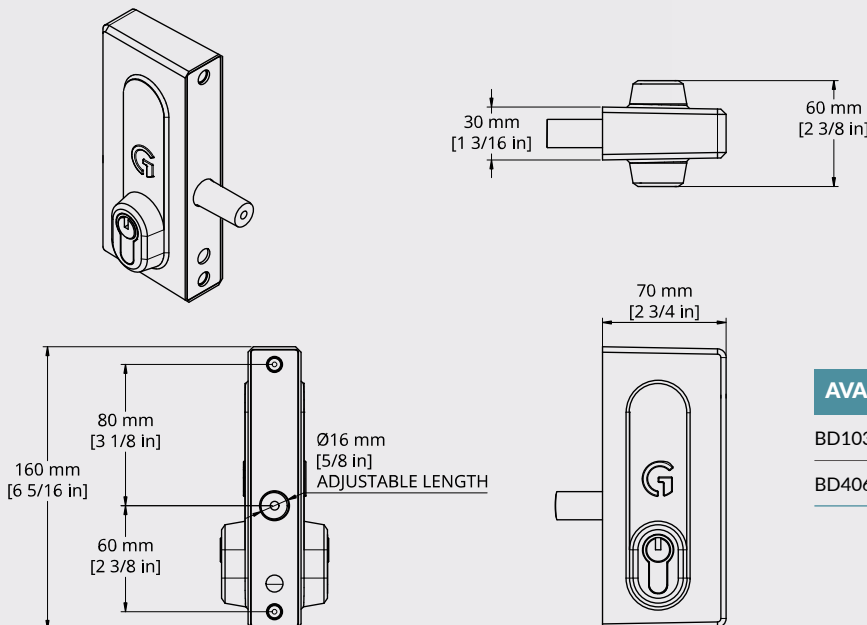


Maximum security meets effortless simplicity with the Superlock Deadlock.

Designed for ultimate reliability, its single 5/8" locking action ensures robust protection, while the slim depth allows it to fit seamlessly into most gate designs.

- **Easy to Fit:** The slim 2 3/4" lock case, combined with an adjustable and removable deadbolt, makes installation a breeze.
- **Simple Deadlock Action:** Operate with a key on both sides for secure opening and closing.
- **Corrosion Resistant:** Crafted from stainless steel for superior durability and resistance to the elements.
- **Convenient:** Adjustable deadbolt length ensures precise fitting directly on site.
- **Reliable:** Includes a guide plate with a brass bearing for long-lasting performance.
- **Versatile Sizes:** Available in two options—1030 for 3/8" to 1 3/16" gate frames and 4060 for 1 1/2" to 2 1/4" frames.

Protected with a 5-Year Warranty



AVAILABLE VERSIONS

| | |
|--------|-------------------------------|
| BD1030 | To fit 3/8" to 1 3/16" frame |
| BD4060 | To fit 1 1/2" to 2 1/4" frame |



"Comes with detailed instructions and all necessary hardware, making installation straightforward. Great service. Highly recommend."

Superlock 2.0 Bolt-On Keylatch

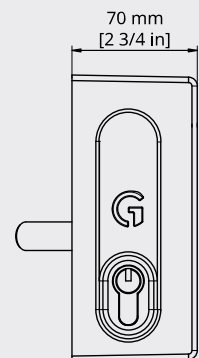
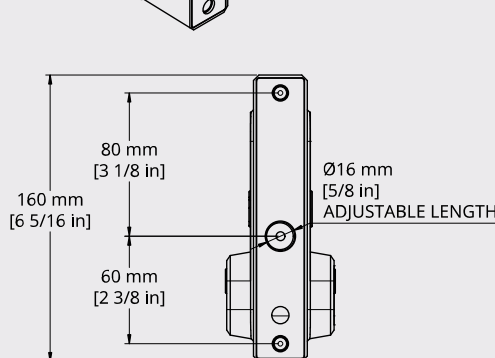
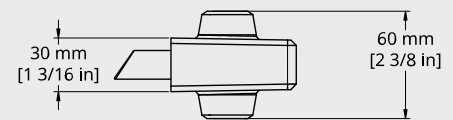
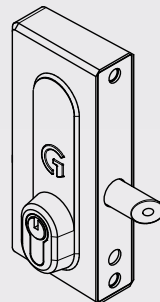
A durable, premium latch lock that operates with a key, the Superlock Keylatch is the ideal solution for reliable security.

Built for outdoor use, it's weather- and corrosion-resistant, making it perfect for metal gate frames. Plus, it's designed for straightforward installation—just drill three holes, bolt it on, and you're ready to go.

- **Built to Last:** Made from stainless steel for exceptional durability in any weather.
- **Key-Operated Simplicity:** Slam the gate shut and open it with the key for hassle-free security.
- **Easy to Fit:** A slim 2 3/4" lock case with an adjustable, removable latchbolt makes installation simple.
- **Adaptable Design:** The latchbolt is adjustable in length and can be rotated for left- or right-handed gates.
- **Added Support:** Includes a bolt support plate and gate post strike plate for a secure fit.
- **Versatile Sizes:** Available in two options—3/8" to 1 3/16" gate frames and 1 1/2" to 2 1/4" frames.



Protected with a 5-Year Warranty



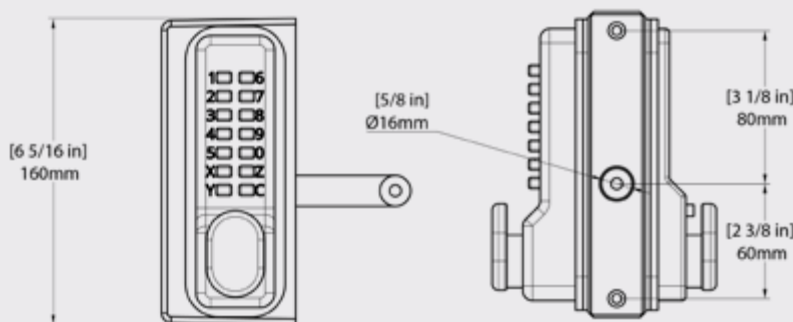
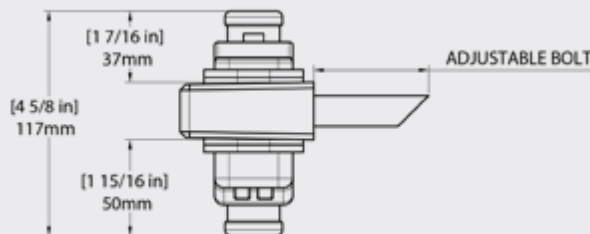
AVAILABLE VERSIONS

| | |
|--------|-------------------------------|
| BK1030 | To fit 3/8" to 1 3/16" frame |
| BK4060 | To fit 1 1/2" to 2 1/4" frame |



"Service was excellent, more importantly the lock is just what I needed - perfect and UK made, mostly in stainless!"

Superlock 2.0 - Digital Code Lock - Double Sided



Delta handle option available.

Designed for easier gripping and turning, plus our built-in anti-climb feature.

PRODUCT CODE: BDGD



Secure access made simple with the Double-Sided keypad Superlock.

Combining the convenience of a mechanical keypad with the straightforward installation of the Superlock range, this lock is easy to fit—just drill three holes and bolt it on.

- **No Power Needed:** Operates with mechanical keypads for fast, hassle-free installation.
- **Adaptable Design:** Slim 2 3/4" case suits a variety of gate styles.
- **Enhanced Security:** The latchbolt projects up to 1/2" into the gate post, providing increased security and greater tolerance.
- **Built to Last:** Stainless steel mechanism and a bolt support plate with a brass bearing ensure durability.
- **Fully Adjustable:** The latchbolt length can be adjusted and set for left- or right-handed gates.
- **Auto-Latching:** Simply close the gate to latch it securely; enter the code and turn the handle to open.
- **Dual Keypads:** Equipped with keypads on both sides for added convenience. Also available with a rear handle option—see the next page.
- **Smooth Operation:** Supplied with a gate post strike plate for seamless latching.
- **Extra Security:** Use with a Superlock Keep to maximize security and extend product life (see page 17).

Protected with a 5-Year Warranty

AVAILABLE VERSIONS

| | |
|----------|-------------------------------------|
| BDG1030L | To fit 3/8" to 1 3/16", left hand |
| BDG4060L | To fit 1 1/2" to 2 1/4", left hand |
| BDG1030R | To fit 3/8" to 1 3/16", right hand |
| BDG4060R | To fit 1 1/2" to 2 1/4", right hand |



Superlock 2.0 - Digital Code Lock - Single Sided

The perfect balance of security, simplicity, and durability for modern gates

The Superlock Single-Sided Code Lock is designed for box section metal gate frames, this slim and sturdy lock is easy to install and adjust, offering reliable and convenient access every time.

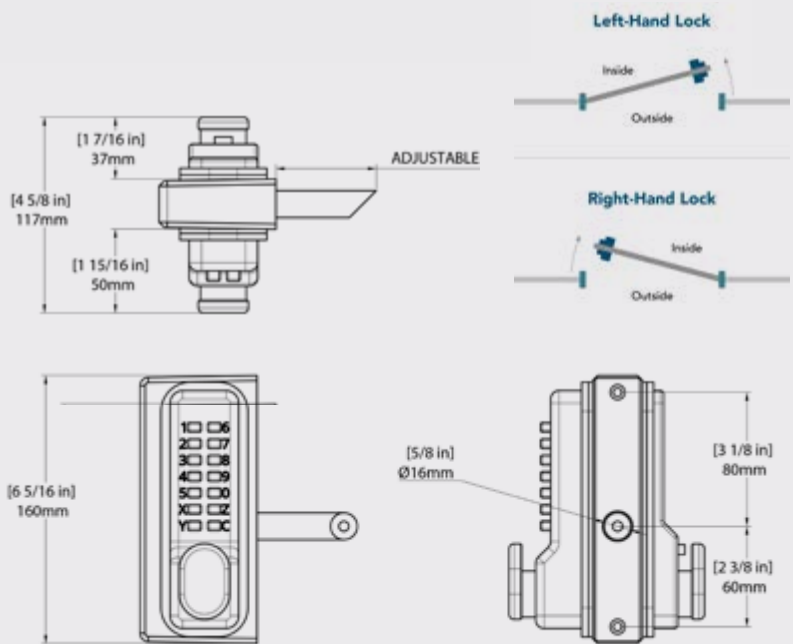
- **Convenient Access:** Digital keypad on one side with a rear handle for smooth operation.
- **Hold-Back Feature:** Keep the latch retracted when needed, adding extra convenience.
- **Easy to Fit:** Slim 2 3/4" lock case accommodates a variety of gate applications.
- **Secure:** Stainless steel latchbolt latches 1/2" into the gate post for robust security.
- **Durable Design:** Built to last with a stainless steel mechanism and a brass-bearing bolt support plate.
- **Adaptable:** Adjustable latchbolt suits different box section sizes.
- **Versatile Options:** Comes with a keypad on one side and a handle on the other. For keypads on both sides, see page 11.
- **Smooth Operation:** Includes a gate post strike plate for easy and secure latching.
- **Enhanced Security:** Pair with the Superlock Keep for added protection and extended product life (see page 17).



Protected with a 5-Year Warranty

AVAILABLE VERSIONS

| | |
|-----------|-------------------------------------|
| BDGS1030L | To fit 3/8" to 1 3/16", left hand |
| BDGS4060L | To fit 1 1/2" to 2 1/4", left hand |
| BDGS1030R | To fit 3/8" to 1 3/16", right hand |
| BDGS4060R | To fit 1 1/2" to 2 1/4", right hand |



Delta handle option available
 Designed for easier gripping and turning,
 plus our built-in anti-climb feature.
PRODUCT CODE: BDGSD

Superlock 2.0 with RapidReset Code Change

★ **New Product**



Revolutionize gate security with the Superlock featuring RapidReset.

Designed for ultimate convenience, this innovative lock lets you change codes in seconds while maintaining robust, secure functionality—all without the need for power or batteries.

- **10-second code changes:** Update the code fast, without removing the lock from the gate.
- **No battery or power needed:** Low maintenance, non-electric secure locking mechanism.
- **Easy to fit:** The slim 2 3/4" wide lock case and the adjustable and removable latchbolt ensure easy installation.
- **Easy to operate handle:** Designed particularly for those with mobility issues who find gripping and turning difficult.
- **Highly secure:** The latchbolt moves 5/8", ensuring the bolt enters deep into the gatepost.
- **Anti-climb handle:** This lock is also fitted with an anti-climb handle to prevent intruders from using the handle as a foothold to climb the gate.
- **Hold-back function:** When the button on the back is activated to hold the lock in the open position.
- **Long-lasting & durable:** Purpose-engineered for outdoor use with anti-corrosion and stainless steel construction.
- **Versatile Options:** Also available with a double-sided keypad for added flexibility.

Protected with a 5-Year Warranty

SINGLE-SIDED KEYPAD VERSIONS

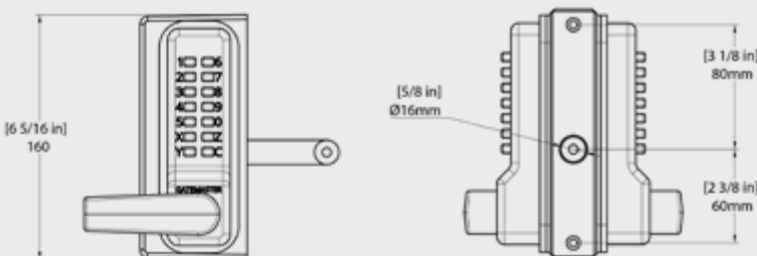
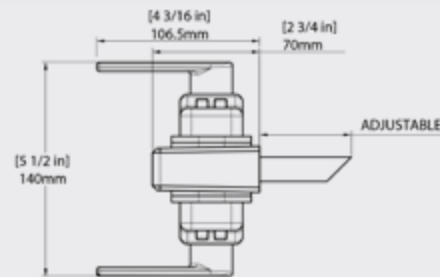
BDGRR1030 To fit 3/8" to 1 3/16" gate frames

BDGRR4060 To fit 1 1/2" to 2 1/4" gate frames

DOUBLE-SIDED KEYPAD VERSIONS

BDGRR1030 To fit 3/8" to 1 3/16" gate frames

BDGRR4060 To fit 1 1/2" to 2 1/4" gate frames



Single-Sided RapidReset Available

Enhance convenience with a single-sided keypad and hold-back function.

PRODUCT CODE: BDGRR



Superlock 2.0 Bolt-On Quick Exit Keypad Access

Effortless exit meets secure entry with the Superlock Quick Exit Digital Keypad.

Equipped with a green push pad for easy exit and a digital keypad for controlled entry, this lock is perfect for gates that require both convenience and security. A key entry version is also available (see page 15).

- **Secure:** Stainless steel latchbolt latches 1/2" into the gate post for solid security.
- **Adaptable:** Slim 2 3/4" lock case fits a variety of gate styles with ease.
- **Durable:** Made from stainless steel for corrosion resistance, with a bolt support plate for extended product life.
- **Versatile Sizes:** Available in two options—1030 for 3/8" to 1 3/16" gate frames and 4060 for 1 1/2" to 2 1/4" frames.
- **Smooth Operation:** Includes a gate post strike plate for seamless and secure latching.
- **Optional Shroud:** Add a shroud to restrict access to the push pad from outside the gate (see page 18).
- **Enhanced Security:** Pair with the Superlock Keep for increased protection and longer product life (see page 17).



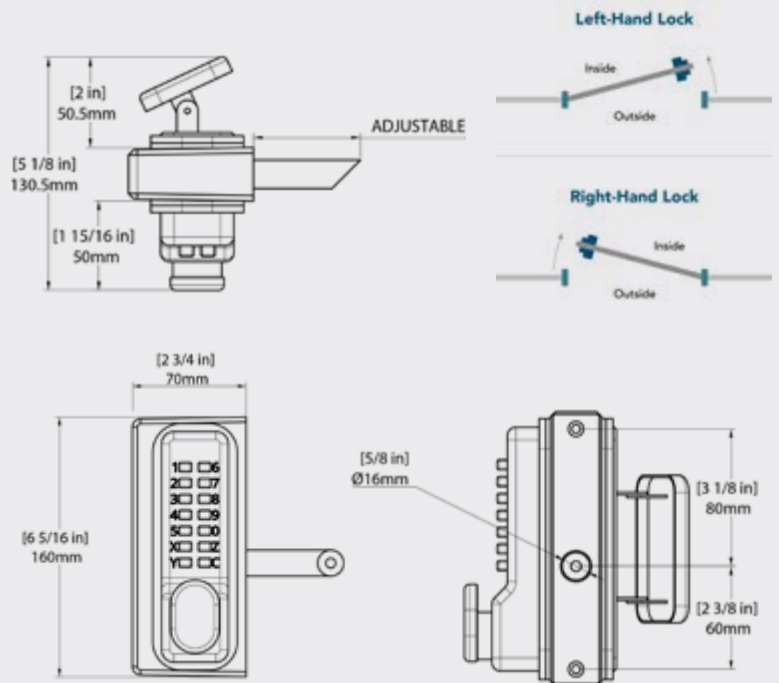
Protected with a 5-Year Warranty



Compatible with the Superlock Shroud (p. 18) to prevent outsiders from opening your gate!

AVAILABLE VERSIONS

| | |
|-----------|-------------------------------------|
| BQDG1030L | To fit 3/8" to 1 3/16", left hand |
| BQDG4060L | To fit 1 1/2" to 2 1/4", left hand |
| BQDG1030R | To fit 3/8" to 1 3/16", right hand |
| BQDG4060R | To fit 1 1/2" to 2 1/4", right hand |



Superlock Bolt-On Quick-Exit Key Access

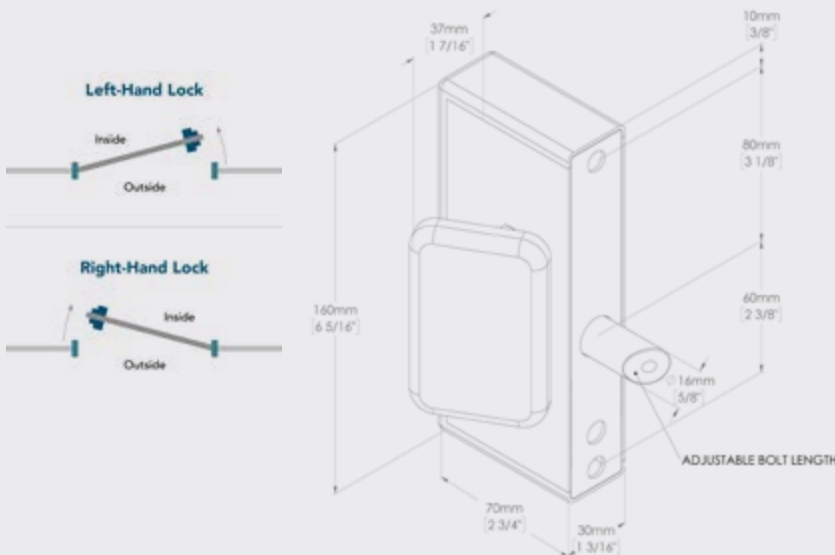


Combine safety and convenience with the quick-exit push pad, offering an easy, user-friendly exit and secure entry.

Featuring a green push pad for effortless exit, this lock is ideal for gates that require fast, reliable egress. This version includes key entry, with a digital keypad option also available.

- **Secure:** Stainless steel latchbolt latches 1/2" into the gate post for solid security.
- **Versatile Design:** Slim 2 3/4" case makes it suitable for a wide range of gate styles.
- **Durable Construction:** Made from stainless steel for corrosion resistance and includes a bolt support plate for extended product life.
- **Smooth Operation:** Supplied with a gate post strike plate for seamless latching.
- **Multiple Sizes:** Available in two options—3/8" to 1 3/16" gate frames and 1 1/2" to 2 1/4" gate frames.
- **Optional Shroud:** Add a shroud to restrict access to the push pad from outside the gate (see page 18).
- **Enhanced Security:** Use with the Superlock Keep to maximize security and durability (see page 17).

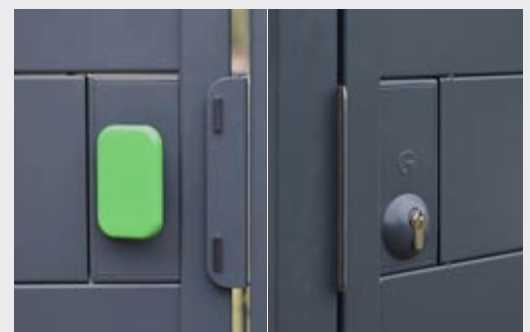
Protected with a 5-Year Warranty



Compatible with the Superlock Shroud (p. 18) to prevent outsiders from opening your gate!

AVAILABLE VERSIONS

| | |
|----------|--------------------------------------|
| BQK1030L | To fit 3/8" to 1 3/16" - left hand |
| BQK4060L | To fit 1 1/2" to 2 1/4" - left hand |
| BQK1030R | To fit 3/8" to 1 3/16" - right hand |
| BQK4060R | To fit 1 1/2" to 2 1/4" - right hand |



Restricted Outside Access Version Available.

Simplify exits while improving security with the Superlock Bolt-On Quick Exit.



Sliding Gate Lock with RapidReset Code Change

★ **New Product**

Purpose-built for sliding gates, this Superlock features our convenient quick-change keypads for effortless access control.

With a robust latch system and smooth lever handles, it's the ideal solution for securing sliding gates in high-traffic or restricted-access environments.

- **RapidReset Keypads** – Both sides feature Gatemaster's intuitive RapidReset system, letting you update codes quickly and securely without removing the lock from the gate.
- **Mechanical Operation** – No power, no batteries—just reliable performance, ideal for remote or high-use gates.
- **Lever Handle Design** – Sleek, ergonomic handles make operating sliding gates easy and efficient.
- **Self-Latching Mechanism** – The latch automatically engages when the gate is closed, keeping security simple and seamless.
- **Heavy-Duty Construction** – Manufactured from corrosion-resistant materials and built to endure harsh outdoor conditions.
- **Quick & Clean Installation** – Bolt-on design fits standard sliding gate frames with minimal prep—no welding required.
- **Supplied with Keep** – Includes a matching keep for secure latching and a neat, professional finish.

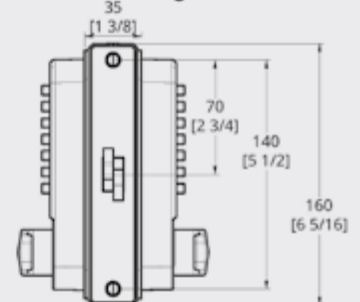
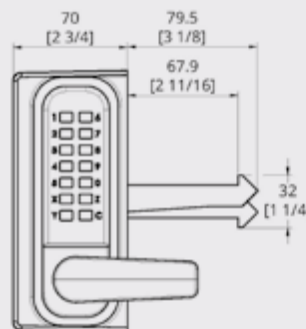
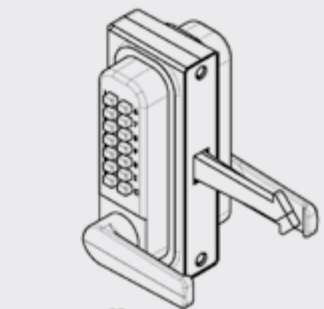
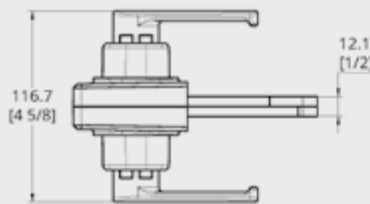


Protected with a 5-Year Warranty

AVAILABLE VERSIONS

| | |
|-----------|-----------------------------|
| SGLDRR40L | 40mm gate frame, left hand |
| SGLDRR40R | 40mm gate frame, right hand |
| SGLDRR50L | 50mm gate frame, left hand |
| SGLDRR50R | 50mm gate frame, right hand |
| SGLDRR60L | 60mm gate frame, left hand |
| SGLDRR60R | 60mm gate frame, right hand |

Single-side keypad version also available



Superlock Keep



Designed to work seamlessly with the entire Superlock range, this keep is easy to install. Mount the gate slam plate onto the gate frame when fitting the lock, and use the expanding fasteners to secure the keep to the gate post.

- **Enhanced Security:** Shields the latchbolt to prevent unauthorized access.
- **Highly Versatile:** Simple to fit to a wide range of gate applications.
- **Sleek Design:** Slim profile enhances the overall appearance of the gate.

BSK

Superlock keep

Superlock Interlocking Keep



The clever interlocking design ensures the gate cannot be levered off the post once closed. One section bolts securely in front of the lock, while the post bracket attaches easily using two expanding fasteners.

- **Maximum Security:** Prevents the gate from being levered or forced apart.
- **Effortless Installation:** Simple to fit and suitable for a variety of applications.
- **Smart Look:** Slim design enhances the gate's appearance for a clean, professional finish.

BSKS

Superlock interlocking keep

Superlock Gapless Keep



The gapless keep is ideal for gates with a small gap between the gate and post, acting as both a security feature and a gate stop. Installation is quick and easy—just drill two holes in the post and secure it with our innovative expanding fasteners.

- **Highly Versatile:** Simple to fit and suitable for a variety of gate applications.
- **Enhanced Security:** Blocks access to the latchbolt for added protection.
- **Streamlined Design:** Slim profile improves the gate's overall appearance.

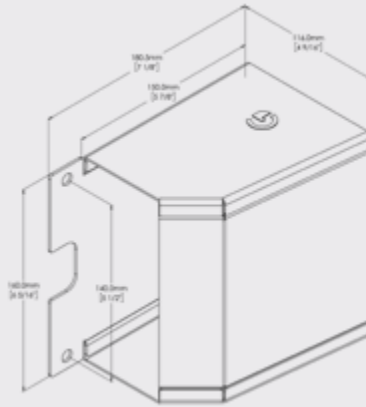
BSKG

Gapless keep

Superlock Quick Exit Shroud

This security shroud prevents outside access to the gate, stopping intruders from reaching around to operate the lock. Installation is quick and simple—just bolt the shroud in front of the lock with no additional fixings required. The updated design now makes the BQS Security Shroud fully compatible with the Superlock Quick Exit gate locks (pp. 14–16) and the single-sided Superlock Digital Code gate lock (p. 12).

SHOWN IN GATE WITH BQDG (SEE P. 14)

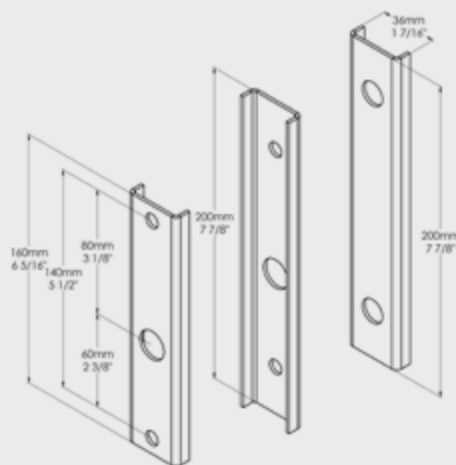


BQS Superlock quick exit shroud

Round Bar Adapter

The round bar adapter allows the entire Superlock range to be securely fitted to gates with round post sections. This kit includes a gate adapter and a gate post adapter, ensuring a sturdy and reliable installation for both the lock and any keep in the range. Crafted from stainless steel, it offers excellent durability and corrosion resistance for long-lasting durability.

SHOWN IN GATE WITH KEEP (BSK)



| AVAILABLE VERSIONS | |
|--------------------|---------------------------------------|
| RBA | Round bar adapter - lock kit |
| RBAK | Round bar adapter - lock and post kit |





SELECT PRO BOLT-ON CLASSIC DESIGN, RELIABLE PERFORMANCE

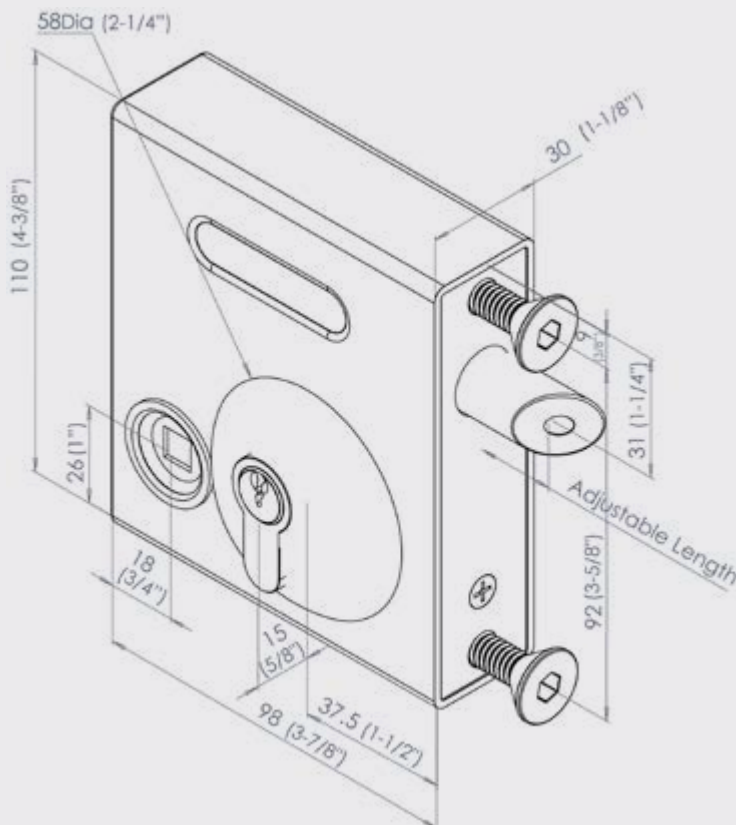
Our original bolt-on lock range, trusted by gate professionals continues to be a popular choice worldwide. From keyed locks and digital keypads to panic exit locks and locking latches, the Select Pro range offers versatile solutions to suit all gate styles and designs.

| | |
|-------------------------------------|----|
| SBLD Latch Deadlock | 21 |
| SBD Deadlock | 22 |
| SBKLLT Long Throw Keylatch | 23 |
| SBL Latch | 24 |
| SBQEK Key Quick Exit | 25 |
| SBQEDGL Digital Quick Exit | 26 |
| SBQE NA Quick Exit No Access | 27 |
| DGL Digital Gate Lock | 28 |
| DGLS Digital Gate Lock Single Sided | 29 |
| SBQES Quick Exit Shroud | 30 |



Select Pro Bolt-on Latch Deadlock

SHOWN WITH ALLOY HANDLE SET (AH)



SHOWN WITH TRADITIONAL HANDLE SET (TDH)

Get convenience and security in one with the Select Pro Bolt-On Latch Deadlock.

Ideal for everyday use, this lock combines the practicality of a latch with the added protection of a deadlock. Operate the latch with the handles, then turn the key to extend the latchbolt and secure the gate.

- **Secure:** Stainless steel latchbolt latches 1/2" into the gate post and extends to 1 1/4" when deadlocked.
- **Adaptable:** Latchbolt is adjustable in length and can be rotated for left- or right-handed gates.
- **Convenient:** Both the handle and key can be operated from either side of the gate.
- **Reliable:** Includes a guide plate with a brass bearing to ensure long-lasting performance.
- **Versatile Sizes:** Available in two options—01 for 3/8" to 1 3/16" gate frames and 02 for 1 1/2" to 2 1/4" frames.
- **Stylish Options:** Supplied with handles in two styles—plain lever (AH) or traditional design (TDH).
- **Smooth Operation:** Comes with a gate post strike plate for easy and secure latching.

AVAILABLE VERSIONS

| | |
|-------------|------------------------------------------|
| SBLD1601 | 3/8" to 1 3/16" gate frames |
| SBLD1602 | 1 1/2" to 2 1/4" gate frames |
| SBLD1601AH | 3/8" to 1 3/16" gate frames, AH Handle |
| SBLD1601TDH | 3/8" to 1 3/16" gate frames, TDH handle |
| SBLD1602AH | 1 1/2" to 2 1/4" gate frames, AH Handle |
| SBLD1602TDH | 1 1/2" to 2 1/4" gate frames, TDH Handle |

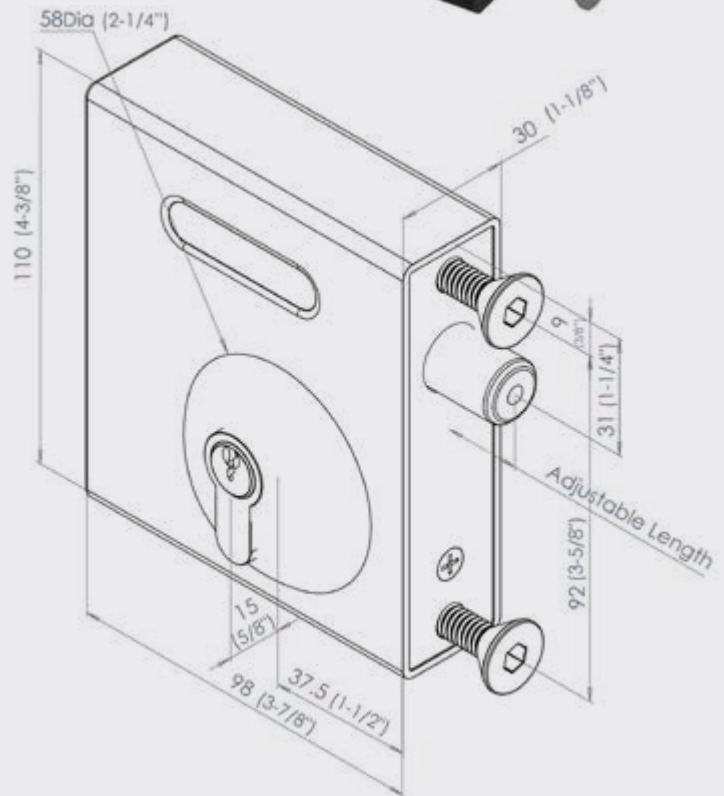


Select Pro Bolt-on Deadlock

Secure your gate with the Select Pro Bolt-On Deadlock—where convenience meets dependable security.

Featuring a robust stainless steel deadbolt with a 1 3/16" long throw, this lock ensures your gate is locked deep into the gate post for maximum protection.

- **Easy Installation:** Adjustable deadbolt allows for precise fitting on-site.
- **Convenient Access:** Key operation on both sides with simple unlocking via one turn of the key.
- **Versatile Options:** Available in two sizes—01 for 3/8" flat bar to 1 3/16" box section, and 02 for 1 1/2" to 2 1/4" box section.
- **Built to Last:** Includes a deadbolt guide plate to reduce stress on the lock, ensuring long-lasting reliability.



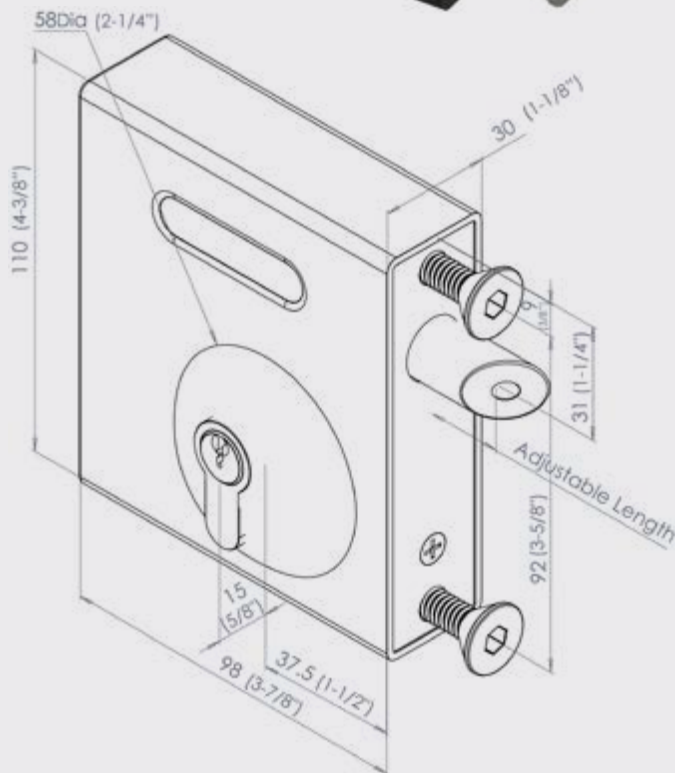
AVAILABLE VERSIONS

| | |
|---------|------------------------------|
| SBD1601 | 3/8" to 1 3/16" gate frames |
| SBD1602 | 1 1/2" to 2 1/4" gate frames |



"Excellent products and very helpful over the phone. I would definitely recommend."

Select Pro Bolt-on Long Throw Keylock



Ensure secure and reliable gate access with the Select Pro Bolt-On Long Throw Keylock. Perfect for communal gates where the gate needs securing every time it is shut, this lock automatically latches shut when the gate is closed and can only be opened with a key, providing dependable security every time.

- **Adaptable:** Adjustable latchbolt length, suitable for both left- and right-handed gates.
- **Enhanced Security:** Stainless steel latchbolt springs an impressive 6/8" into the gate post for increased protection.
- **Convenient Access:** Keyed on both sides for easy entry and exit.
- **Long-Lasting Performance:** Supplied with a guide plate featuring a brass bearing to ensure durability.
- **Versatile Options:** Available in two sizes—01 for 3/8" to 1 3/16" flat bar or box section gate frames, and 02 for 1 1/2" to 2 1/4" frames.
- **Smooth Operation:** Includes a gate post strike plate for seamless and secure latching action.

AVAILABLE VERSIONS

| | |
|------------|------------------------------|
| SBKLLT1601 | 3/8" to 1 3/16" gate frames |
| SBKLLT1602 | 1 1/2" to 2 1/4" gate frames |



"Good range of professional level products, difficult to find items, and real engineered solutions."

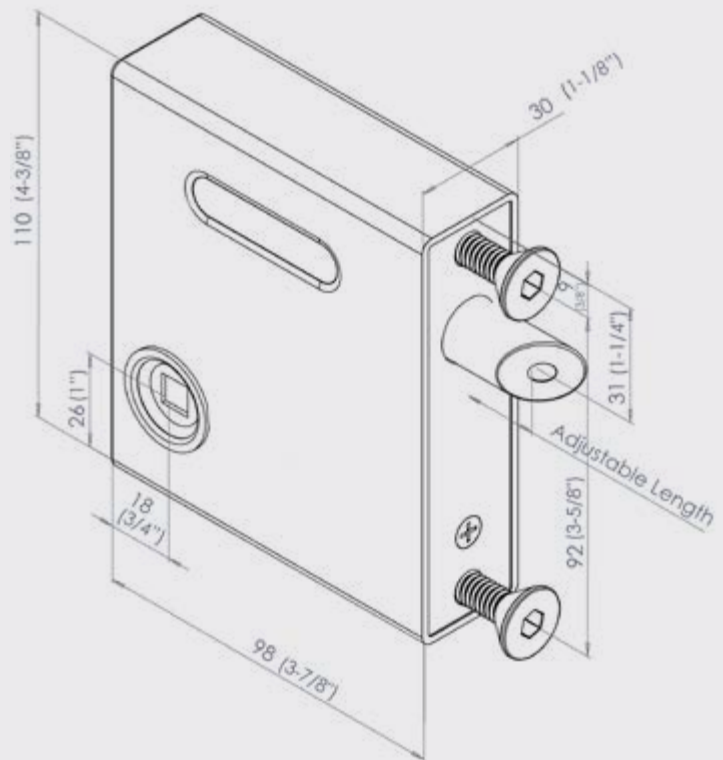
Select Pro Bolt-on Latch

Simplified gate access with this reliable lock-free Select Pro latch.

Perfect for holding a gate shut without the need for locking, this solution is ideal for housing developments, playgrounds, and other communal spaces where ease of access is key and no locking facility is necessary.

- **Dependable Hold:** Stainless steel latchbolt springs 1/2" into the gate post to securely hold the gate closed.
- **Adaptable Fit:** Adjustable latchbolt length, suitable for both left- and right-handed gates.
- **Durable Design:** Includes a guide plate with a brass bearing to ensure long-lasting performance.
- **Versatile Sizes:** Available in two options—01 for 3/8" to 1 3/16" flat bar or box section gate frames, and 02 for 1 1/2" to 2 1/4" frames.
- **Stylish Options:** Supplied with handle options in two designs—plain lever style (AH) or traditional handle style (TDH).
- **Smooth Operation:** Comes with a gate post strike plate for seamless and secure latching action.

SHOWN WITH TRADITIONAL HANDLE SET (TDH)



AVAILABLE VERSIONS

| | |
|------------|------------------------------------------|
| SBL1601 | 3/8" to 1 3/16" gate frames, no handle |
| SBL1601AH | 3/8" to 1 3/16" gate frames, AH handle |
| SBL1601TDH | 3/8" to 1 3/16" gate frames, TDH handle |
| SBL1602 | 1 1/2" to 2 1/4" gate frames, no handle |
| SBL1602AH | 1 1/2" to 2 1/4" gate frames, AH handle |
| SBL1602TDH | 1 1/2" to 2 1/4" gate frames, TDH handle |

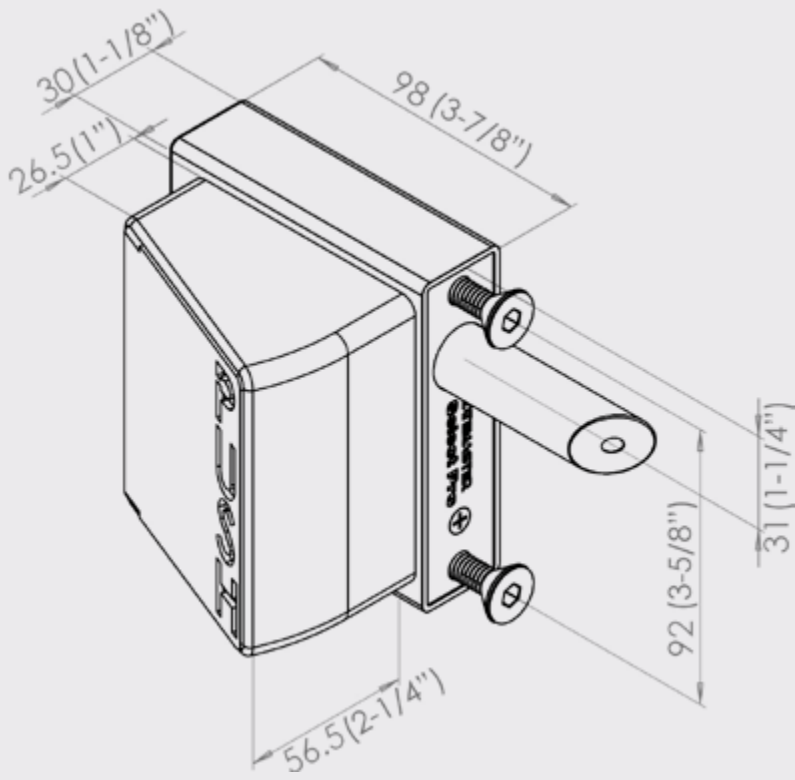


SHOWN WITH ALLOY HANDLE SET (AH)

Select Pro Bolt-on Quick Exit Key Access



**RIGHT HAND
LOCK SHOWN**




Combine security and rapid exit with the Select Pro Bolt-On Quick Exit Lock with Key Access.

Purpose-built for metal gates, this lock offers robust performance, ease of installation, and reliable automatic latching for maximum convenience.

- **Enhanced Security:** Stainless steel 5/8" latchbolt springs 13/16" into the gate post for a secure hold.
- **Durable Design:** Supplied with a bolt guide plate and gate post strike plate to ensure reliability and longevity.
- **Adaptable Fit:** Adjustable latchbolt length allows for precise fitting during installation.
- **Versatile Options:** Also available as a quick exit/digital keypad combination (see page 26).
- **Optional Shroud:** Security shroud available to prevent access to the pad from outside the gate (see page 30).



 **Compatible with the Select Pro Shroud (p. 30) to prevent outsiders from opening your gate!**

AVAILABLE VERSIONS

| | |
|-----------|--------------------------------------|
| SBQEKLL01 | To fit 3/8" to 1 3/16" - left hand |
| SBQEKLL02 | To fit 1 1/2" to 2 1/4" - left hand |
| SBQEKLR01 | To fit 3/8" to 1 3/16" - right hand |
| SBQEKLR02 | To fit 1 1/2" to 2 1/4" - right hand |



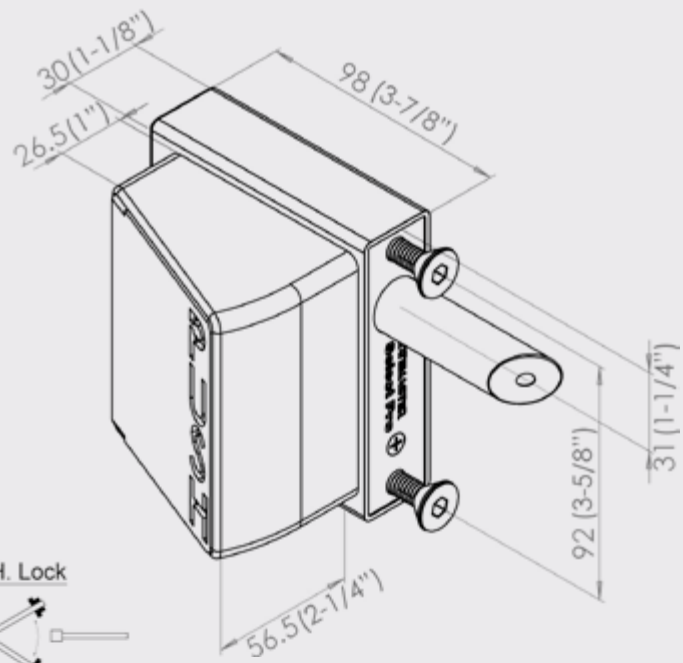
Select Pro Bolt-on Quick Exit Digital Access

Streamline gate access with this quick exit lock, combining secure entry and effortless installation.

Designed for metal gates, it features a push-button keypad on the outside for entry and a green push pad on the inside for fast, keyless exit. The latch automatically secures when the gate closes, ensuring convenience and reliability.

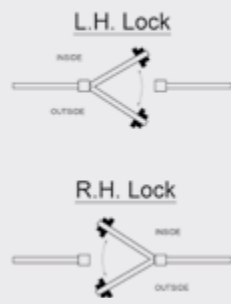
- **Simple Installation:** Drill just three holes in the gate frame for an easy fit.
- **Enhanced Security:** 5/8" stainless steel latchbolt extends 13/16" into the gate post for robust locking.
- **Precise Adjustment:** Adjustable latchbolt length allows for a perfect fit on-site.
- **Durable Construction:** Supplied with a bolt guide plate and gate post strike plate for lasting performance.
- **Versatile Options:** Also available with key entry from the outside (see p. 25).
- **Optional Security Shroud:** Prevents access to the push pad from outside the gate (see p. 30).

RIGHT HAND LOCK SHOWN



AVAILABLE VERSIONS

| | |
|------------|--------------------------------------|
| SBQEDGLL01 | To fit 3/8" to 1 3/16" - left hand |
| SBQEDGLL02 | To fit 1 1/2" to 2 1/4" - left hand |
| SBQEDGLR01 | To fit 3/8" to 1 3/16" - right hand |
| SBQEDGLR02 | To fit 1 1/2" to 2 1/4" - right hand |



Select Pro Bolt-on Quick Exit No Outside Access

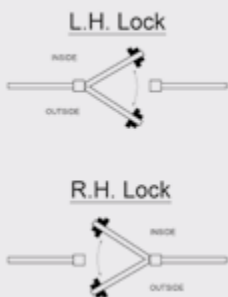
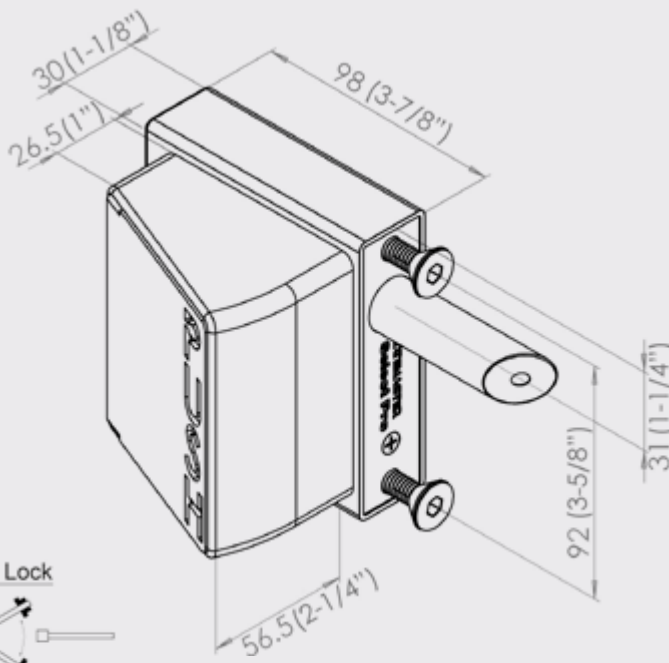
RIGHT HAND LOCK SHOWN



Ensure fast, secure one-way exit with this quick exit gate lock, offering robust performance and ease of use.

Designed for metal gates, this lock is ideal for gates requiring one-way access. The angled latch bolt ensures the gate automatically latches shut upon closing, providing reliable security without outside entry.

- **One-Way Access:** Allows exit only, with no outside entry for added security.
- **High Security:** Features a 5/8" stainless steel latchbolt that extends 13/16" into the gate post.
- **Durable Construction:** Includes a bolt guide plate and gate post strike plate for smooth and lasting operation.
- **Customizable Fit:** Adjustable latchbolt length for precise on-site fitting.
- **Effortless Installation:** Drill just three holes in the gate frame for a straightforward setup.
- **Versatile Options:** Available with key or digital keypad entry for gates requiring dual-side access (see p. 25-26).
- **Optional Shroud:** Prevents tampering or pad access from the outside (see p. 30).



Compatible with the **Select Pro Shroud (p. 30)** to prevent outsiders from opening the gate!

AVAILABLE VERSIONS

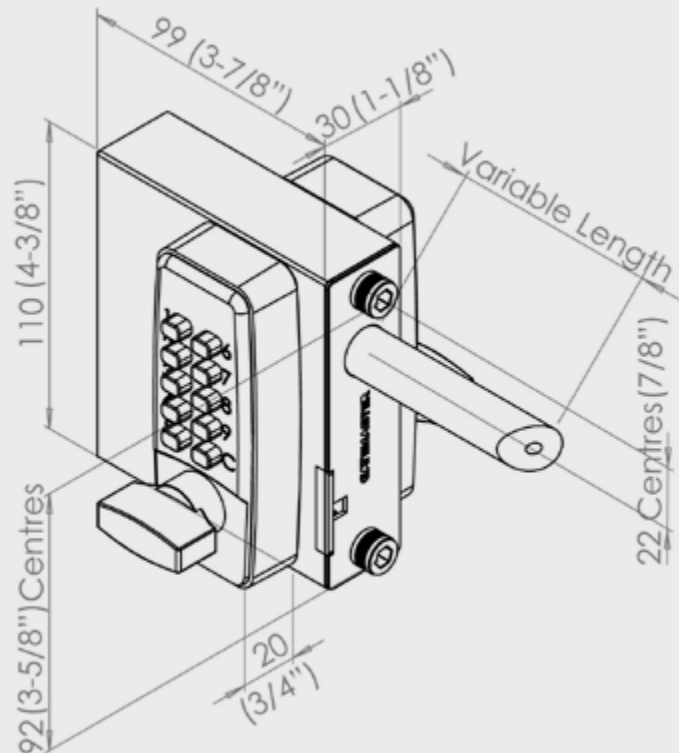
| | |
|-----------|--------------------------------------|
| SBQEL01NA | To fit 3/8" to 1 3/16" - left hand |
| SBQEL02NA | To fit 1 1/2" to 2 1/4" - left hand |
| SBQER01NA | To fit 3/8" to 1 3/16" - right hand |
| SBQER02NA | To fit 1 1/2" to 2 1/4" - right hand |



SelectPro Bolt-On Code Lock - Double-Sided Keypad

This digital gate lock combines the convenience of a mechanical keypad with the ease of installation of the bolt on lock range. To fit simply drill three holes in the gate frame and bolt the lock on.

- **No power needed** – mechanical keypads for a quick and easy install.
- **Secure** – latchbolt projects up to 13/16" into the gate post which increases security and gives more tolerance.
- **Long lasting** – brass bearing plate supports the latchbolt reducing wear and increasing product life.
- **Adaptable** – the latchbolt can be adjusted in length and set to left hand or right hand.
- **Durable** – tested to over 1000 hours salt spray, this product will survive the elements.
- **Auto-latching** – close the gate and the latchbolt latches into the gate frame. To open the gate – enter the code and turn the handle.
- **Keypad on both sides** – also available as a keypad and rear handle.



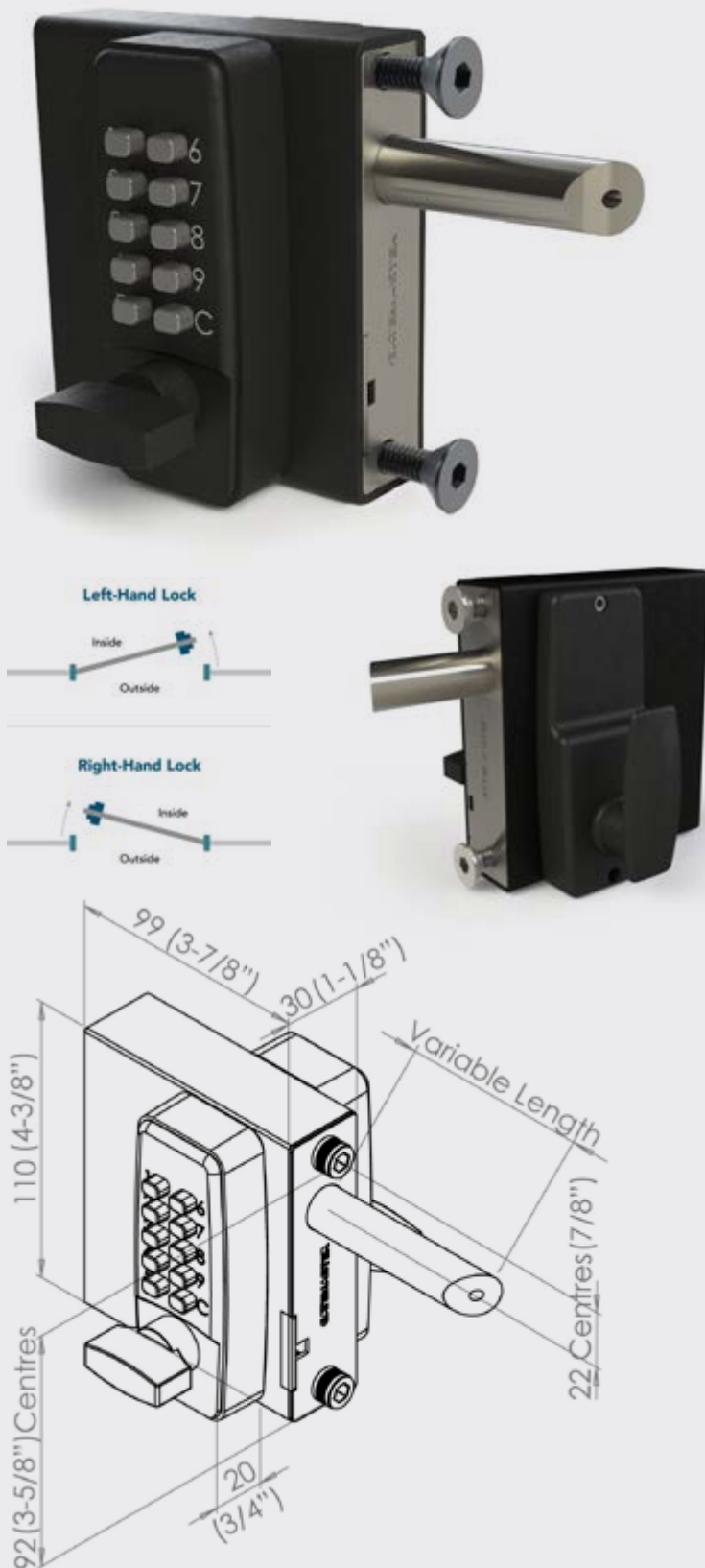
AVAILABLE VERSIONS

| | |
|-------|-------------------------------------|
| DGL01 | To fit 3/8" to 1 3/16" gate frames |
| DGL02 | To fit 1 1/2" to 2 1/4" gate frames |



"Very good products, good prices and great service."

Select Pro Bolt-on Code Lock - Single Sided



Achieve secure, keyless entry with this reliable digital gate lock.

Featuring a mechanical keypad on the outside and a free-turn handle on the inside, this lock combines convenience and robust functionality. Its auto-latching feature ensures the gate locks upon closing, with the added flexibility of a hold-back function to keep the gate unlocked when needed.

- **Power-Free:** Mechanical keypad eliminates the need for electricity or batteries.
- **Enhanced Security:** The latchbolt extends up to 13/16" into the gate post, offering increased security and greater tolerance.
- **Built to Last:** Includes a brass bearing plate to support the latchbolt, reducing wear and prolonging the lock's lifespan.
- **Highly Adaptable:** Adjustable latchbolt length accommodates both inward and outward-opening gates.
- **Weatherproof Durability:** Successfully tested to withstand over 1,000 hours of salt spray, ensuring resistance to the elements.
- **Auto-Latching Design:** The latchbolt automatically engages upon closing the gate.
- **Flexible Configurations:** Keypad on one side and handle on the other, with the option for dual-keypad access.

AVAILABLE VERSIONS

| | |
|---------|------------------------------------------|
| DGLS01L | 3/8" to 1 3/16" gate frame - left hand |
| DGLS01R | 3/8" to 1 3/16" gate frame - right hand |
| DGLS02L | 1 1/2" to 2 1/4" gate frame - left hand |
| DGLS02R | 1 1/2" to 2 1/4" gate frame - right hand |

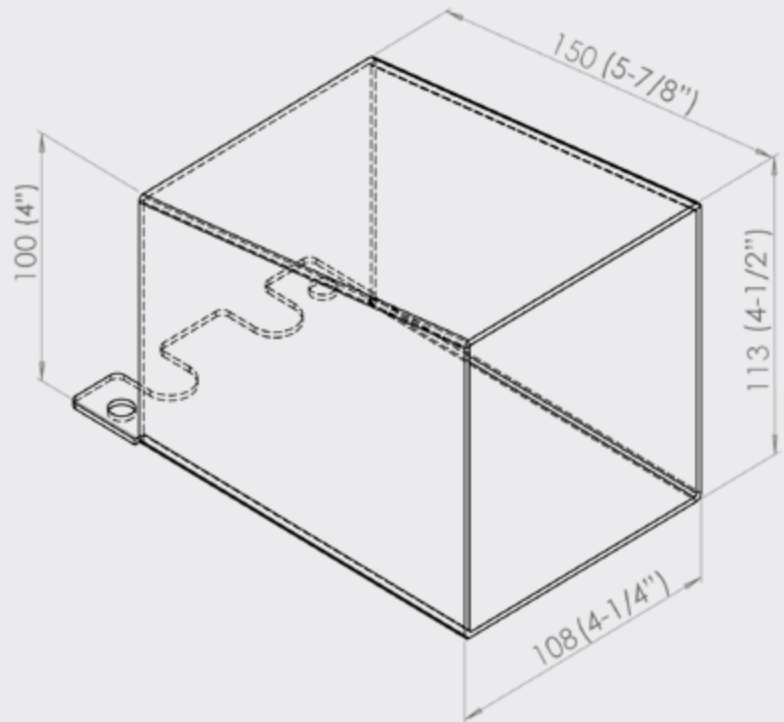


Select Pro Quick Exit Shroud

Enhance gate security with this easy-to-fit shroud for Quick Exit locks.

This shroud is a simple yet effective upgrade to boost the security of your Quick Exit gate locks. Designed to prevent tampering, the shroud restricts access to the push pad from the outside, providing an added layer of protection for your gate.

- **Increased Security:** Effectively blocks access to the push pad from the outside of the gate.
- **Effortless Installation:** Simply bolts between the lock and the frame—no welding or extra holes required.
- **Wide Compatibility:** Suitable for all Gatemaster Quick Exit locks (pp. 25-27) and the digital single-sided lock (p. 29).

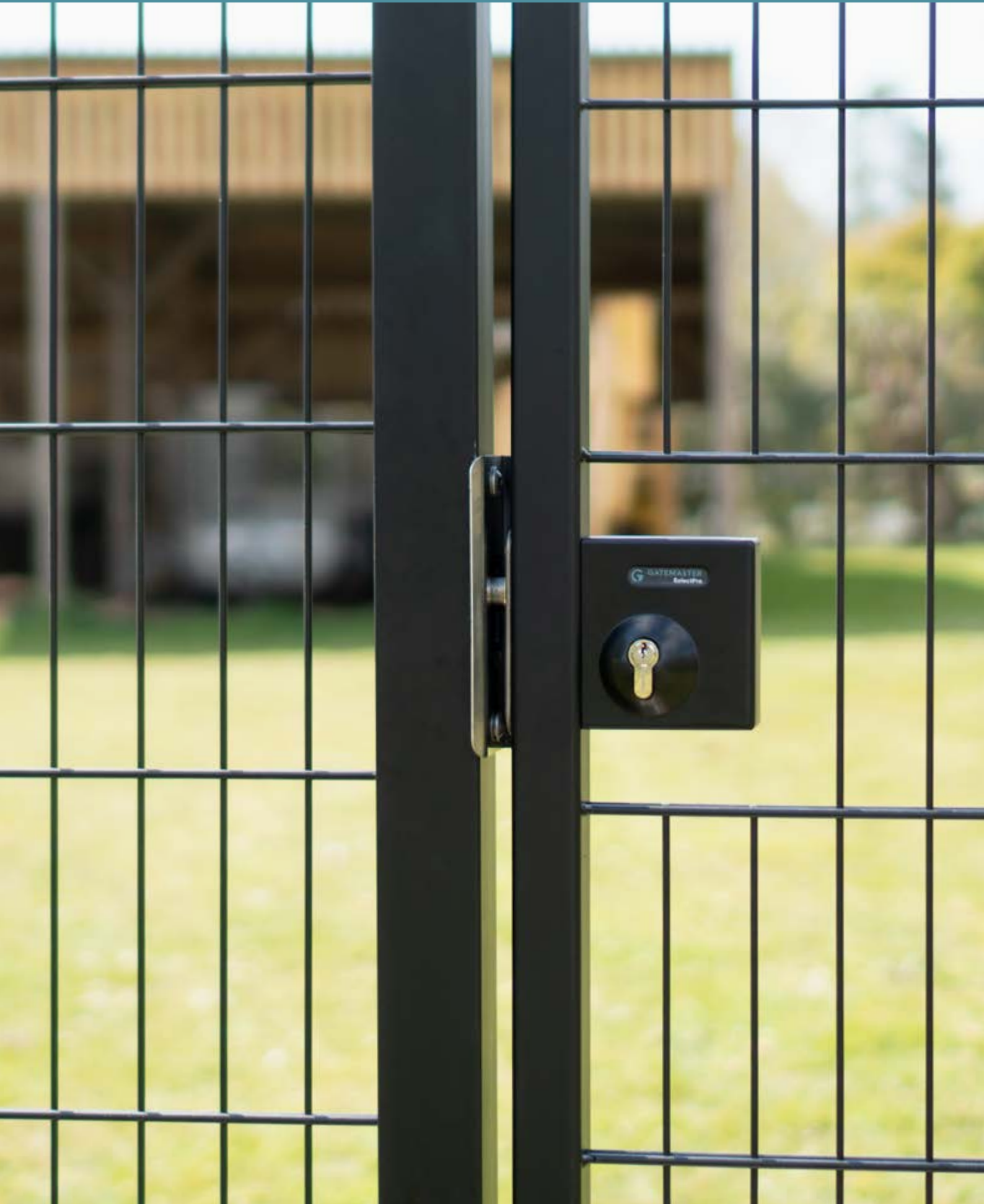


SBQES

Quick exit security shroud



SHOWN WITH SINGLE SIDED DIGITAL LOCK (P29)



SUPERIOR SOLUTIONS FOR GATE SAFETY & SECURITY



SELECT PRO WELD-IN SEAMLESS SECURITY

Our weld-in gate locks provide a discreet and highly secure locking solution. Simply weld the steel case into the gate frame, paint it along with the gate, and slide the mechanism in after for a clean, seamless finish.

Suitable for both bespoke and mass-produced gates, weld-in locks are available in a range of styles and widths. Their design allows a section of the gate to be cut out, enabling the lock to be welded flush with the front and sides of the box section for a streamlined look.

| | |
|--------------------------------|----|
| SWLD Latch Deadlock | 33 |
| SWD Deadlock | 34 |
| SWKLLT Long Throw Keylatch | 35 |
| Select Pro Weld-in Accessories | 36 |



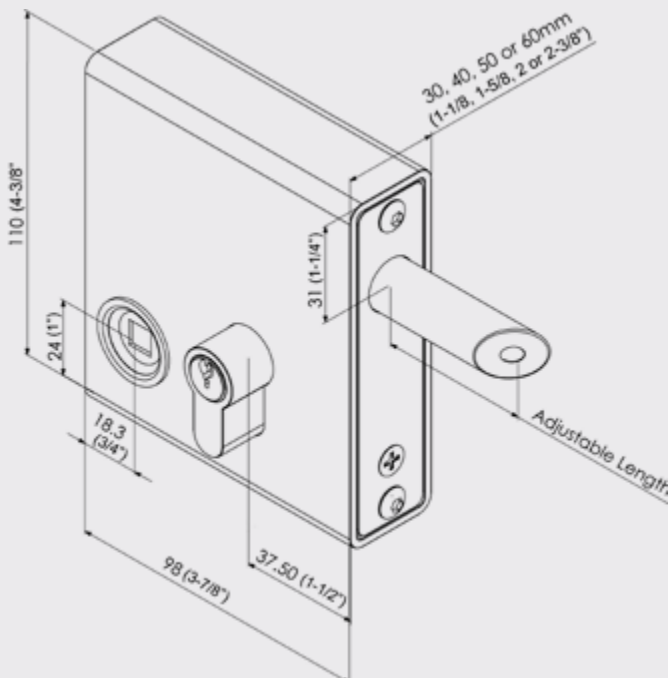
Select Pro Weld-in Latch Deadlock



This weld-in latch deadlock is ideal for those seeking a robust, secure, lock with a latch and deadlock.

Featuring both a latch and a deadlock on a single bolt, this Select Pro gate lock, offers a seamless solution for security on metal gates. Operate the latch with the handles, and turn the key to extend the deadbolt 1 3/16" into the gate post for added security.

- **Enhanced Security:** Stainless steel latchbolt springs 1/2" into the gate post and extends to 1 1/8" when deadlocked.
- **Precise Fit:** Adjustable latchbolt length allows for on-site customisation, and it can be rotated for left- or right-handed gates.
- **Maximum Strength:** Welding the lock into the gate ensures the most secure installation method.
- **Long-Lasting Durability:** Features a brass latchbolt bearing for smooth, reliable operation over time.
- **Versatile Sizing:** Available in four widths to suit popular gate frame sizes
- **Handle options:** See page 50 for our available handles
- **Complete Kit:** Supplied with a gate post strike plate for smooth latching action.



SEE DIAGRAM ON P.36 FOR HOW TO MEASURE THE GATE FRAME

AVAILABLE VERSIONS

| | |
|----------|---------------------------|
| SWLD1630 | 1 3/16" wide gate frames |
| SWLD1640 | 1 1/2" wide gate frames |
| SWLD1650 | 1 15/16" wide gate frames |
| SWLD1660 | 2 3/8" wide gate frames |

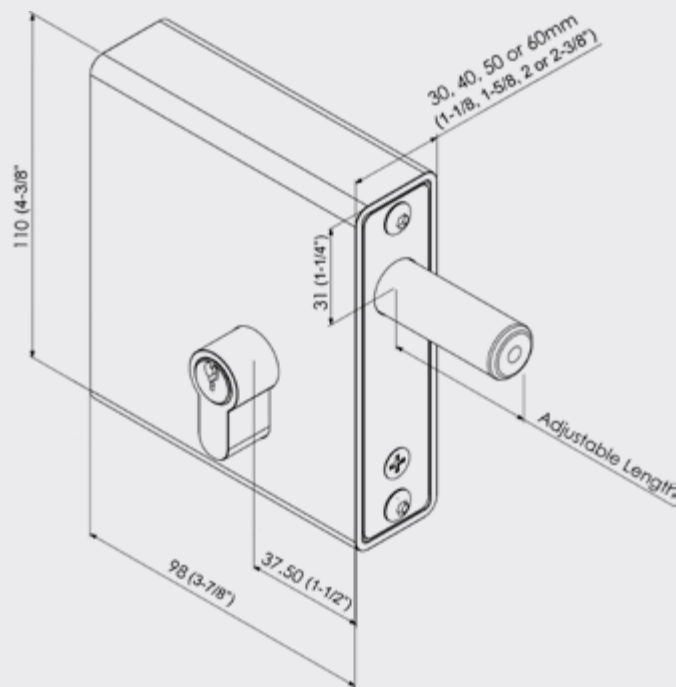


Select Pro Weld-in Deadlock

Achieve robust security for metal gates with this solid weld-in deadlock.

This weld-in deadlock is the ideal choice for those seeking strength, adaptability, and secure gate locking. Featuring a single keyed deadlocking action, the lock extends the deadbolt 1 3/16" with just one turn of the key, providing reliable protection for your gates.

- **Enhanced Security:** Stainless steel deadbolt extends 1 3/16" into the gate post for a secure hold.
- **Precise Fit:** Adjustable deadbolt length ensures accurate on-site fitting.
- **Maximum Strength:** Welding the lock into the gate offers the most secure installation method.
- **Convenient Access:** Keyed on both sides for easy operation.
- **Durable Construction:** Made with a 1/8" steel lock case for long-lasting reliability.
- **Versatile Options:** Available in four lock case widths to suit various box section sizes.



SEE DIAGRAM ON P.36 FOR HOW TO MEASURE THE GATE FRAME

AVAILABLE VERSIONS

| | |
|---------|---------------------------|
| SWD1630 | 1 3/16" wide gate frames |
| SWD1640 | 1 1/2" wide gate frames |
| SWD1650 | 1 15/16" wide gate frames |
| SWD1660 | 2 3/8" wide gate frames |



"Nothing short of excellent service, well done to all!"

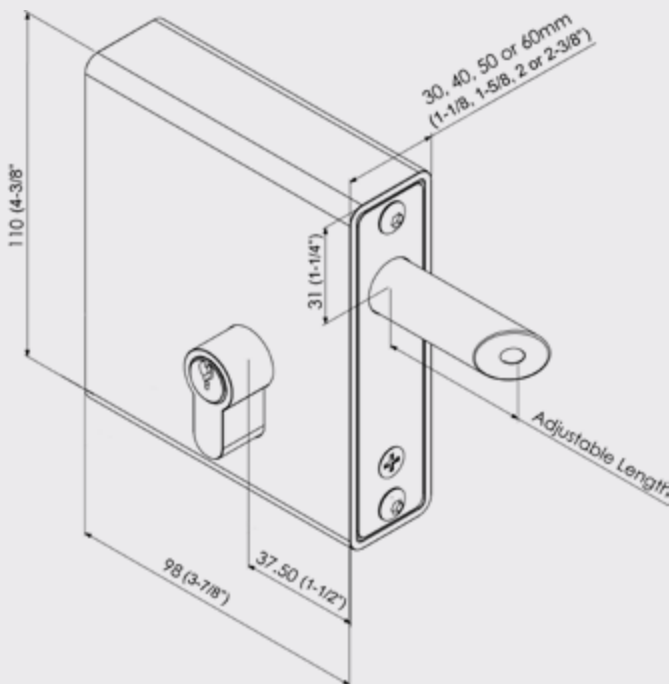
Select Pro Weld-in Long Throw Keylatch



Ensure dependable security with the Select Pro Long Throw Keylatch.

The Select Pro Long Throw Keylatch is the perfect choice for gates that require secure locking when the gate is closed shut. Designed to automatically lock when the gate is pulled closed, this key-operated latch is ideal for communal gates, ensuring they are securely locked every time they are shut.

- **Reliable Security:** Simply slam the gate shut—it locks automatically and requires a key to open.
- **Enhanced Protection:** Stainless steel latchbolt extends 1 3/16" into the gate post for added security, with a long throw for extra strength.
- **Customizable Fit:** Adjustable latchbolt length and rotatable design make it suitable for both left- and right-handed gates.
- **Long-Lasting Durability:** Fitted with a brass latchbolt bearing for smooth, reliable operation over time.
- **Versatile Sizing:** Available in four lock case widths to suit popular box section sizes.



SEE DIAGRAM ON P.36 FOR HOW TO MEASURE THE GATE FRAME

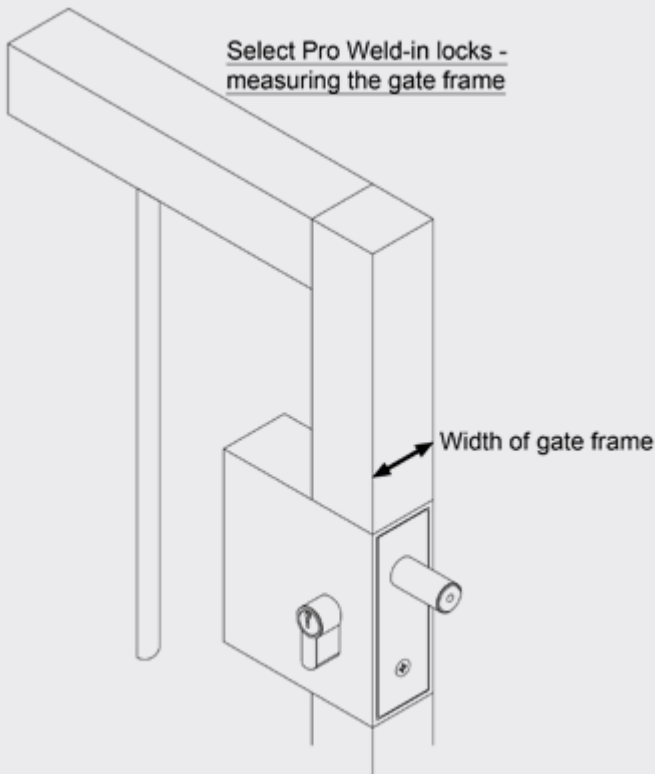
AVAILABLE VERSIONS

| | |
|------------|---------------------------|
| SWKLLT1630 | 1 3/16" wide gate frames |
| SWKLLT1640 | 1 1/2" wide gate frames |
| SWKLLT1650 | 1 15/16" wide gate frames |
| SWKLLT1660 | 2 3/8" wide gate frames |



Measuring the gate frame

THE WIDTHS FOR WELD-IN LOCKS ARE MEASURED AS SHOWN IN THE DIAGRAM



Stainless Steel Escutcheon

Crafted from stainless steel, this escutcheon provides protection for the cylinder while neatly covering the hole created during installation.



- **Dimensions:**
2 11/16" h x 1 1/4" w

AVAILABLE VERSIONS

SSE Stainless Steel Escutcheon

Security Escutcheon to Weld

Designed for enhanced protection, the security escutcheon shields the cylinder from potential attack. It is commonly paired with weld-in locks to improve overall security.



- **Dimensions:**
2 11/16" h x 1 1/4" w

AVAILABLE VERSIONS

| | |
|-------|-----------------|
| WSE04 | 3/16" thickness |
| WSE08 | 5/16" thickness |
| WSE12 | 1/2" thickness |

Select Pro Handles



Alloy Handle

SEE PAGE 50



Traditional Handle

SEE PAGE 50



Stainless Steel

SEE PAGE 50





WOODEN GATE LOCKS PURPOSE- MADE SOLUTIONS

Specifically crafted for wooden gates our locks take the nature of timber into consideration, providing ultimate adjustability and reliability. Available in both keyed and keyless options, these locks are easy to install on new gates or as a retro-fit solution for existing gates.

| | |
|-----------------------------------------|----|
| BDGW Double Sided Code Lock | 39 |
| BDGSW Single Sided Code Lock | 40 |
| SLDS Superlatch Digital | 41 |
| GLB Gate Locking Bolt | 42 |
| DGLW Double Sided Gate Lock | 43 |
| DGLSW Single Sided Gate Lock | 44 |
| SBQEDGLW Quick Exit Keypad Gate Lock | 45 |



Superlock 2.0 Surface Mounted - Double Sided Keypad

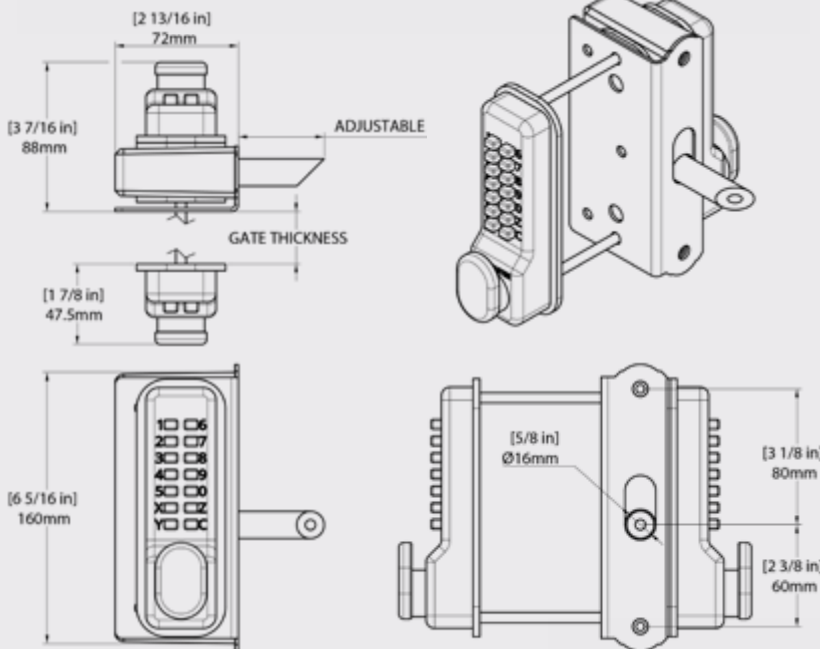


Enjoy secure, keyless convenience with durability you can count on, even in challenging conditions.

Perfect for surface mounting to wooden gates, this double-sided keypad lock is easy to install and provides reliable, long-lasting performance in any environment. Simply drill three holes in the gate frame and attach using the supplied fixing screws. The code can be customized to suit your needs.

- **Power-Free Operation:** Mechanical keypads ensure quick installation without the need for electricity or batteries.
- **Enhanced Security:** Latchbolt projects up to 13/16" into the keep, offering robust locking and greater tolerance.
- **Built to Last:** Tested to withstand over 1,000 hours of salt spray, making it ideal for outdoor use.
- **Effortless Installation:** Supplied with a keep for straightforward fitting to the gate frame.
- **Auto-Latching Design:** The latchbolt automatically locks when the gate closes. To open, simply enter the code and turn the handle.
- **Extra Security:** Keep box included for added protection.

Protected with a 5-Year Warranty



AVAILABLE VERSIONS

| | |
|----------|---------------------------------------------|
| BDGWL | Left handed |
| BDGWR | Right handed |
| BDGWE140 | Extensions kit for gates up to 5 1/2" thick |



RAPIDRESET VERSION ALSO AVAILABLE

Enhance convenience and security. Change the code in just 10 seconds.

PRODUCT CODE: BDGWRR



Superlock 2.0 Surface Mounted - Single Sided Keypad

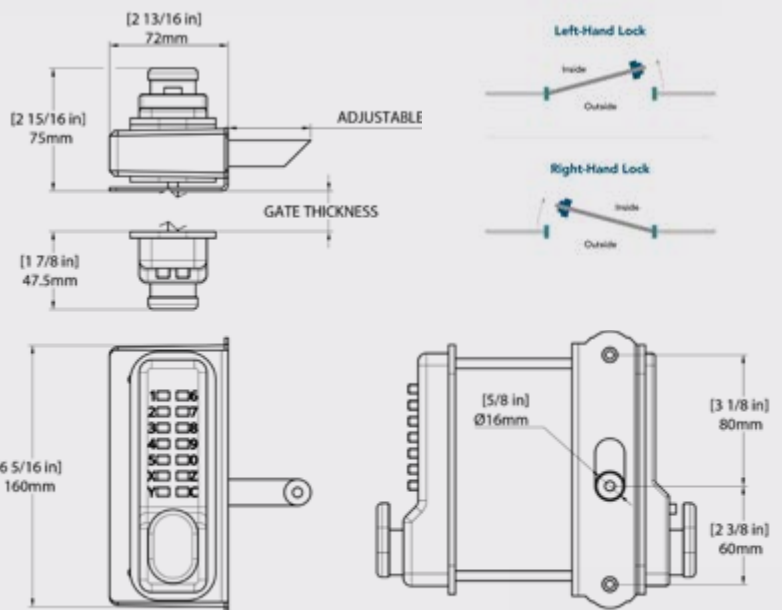
Secure and simplify gate access with a durable code lock with reliable performance for outdoor gates in any environment.

Designed for easy surface fitting, it features a mechanical keypad on the outside for keyless entry and a free-turn handle on the inside for quick exit. The code can be easily customized to your preferred combination, providing both convenience and security.

- **Power-Free Operation:** Mechanical keypads allow for a quick and hassle-free installation without electricity.
- **Enhanced Security:** Latchbolt projects up to 13/16" into the keep, ensuring a secure hold with added tolerance.
- **Effortless Installation:** Supplied with a keep for straightforward fitting to the gate frame.
- **Auto-Latching Design:** The latchbolt automatically secures the gate when closed.
- **To open from Outside:** Enter the code and turn the handle.
- **To open from Inside:** Simply turn the rear handle at any time.
- **Added Protection:** Keep box included for extra security.
- **Versatile Fit:** Supplied with fixings and spindle for gates up to 3" thick, with an optional extension kit available for gates up to 5 1/2" thick.



Protected with a 5-Year Warranty

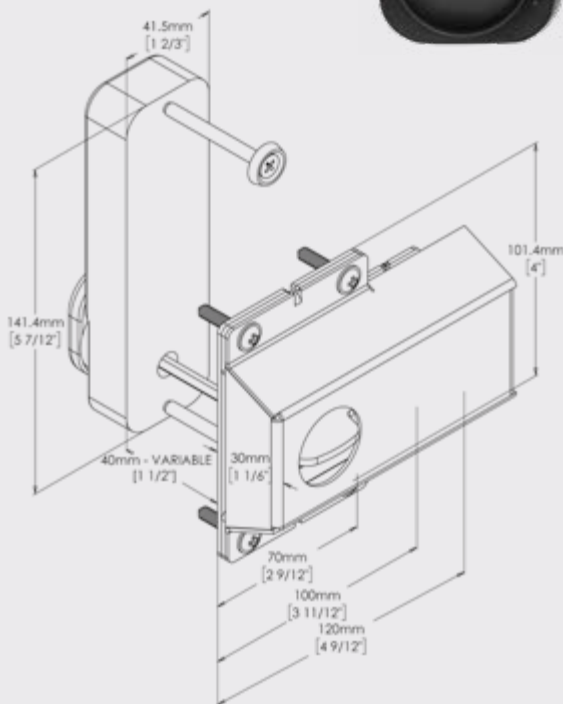


| AVAILABLE VERSIONS | |
|--------------------|---------------------------------------------|
| BDGSWL | Left handed |
| BDGSWR | Right handed |
| BDGWE140 | Extensions kit for gates up to 5 1/2" thick |



RAPIDRESET VERSION ALSO AVAILABLE
 Enhance convenience and security. Change the code in just 10 seconds.
PRODUCT CODE: BDGSWRR

Superlatch Surface Mounted Keypad Code Latch



Upgrade your gate security with the durable and versatile Superlatch Digital Lock.

Featuring a marine-grade keypad on the outside and a stainless steel latch on the inside, this innovative design offers a reliable and easy-to-install alternative to low-cost keypads.

- **Effortless Installation:** Drill just three holes through the gate and screw the lock into place—no complicated setup required.
- **Auto-Latching Function:** The latchbolt automatically engages when the gate closes, providing secure locking.
- **Enhanced Security:** Integrated shroud protects the latch for added safety.
- **Built to Last:** Marine-grade keypad and stainless steel latch with a powder-coated finish ensure long-lasting durability.
- **Reversible Design:** Latch can be flipped for left- or right-handed gates.
- **Flexible Application:** Suitable for wooden or metal gates, indoors or outdoors.
- **User-Friendly Setup:** Comes with a drilling guide, fixings, and spindle for gates up to 3" thick.
- **Extension Kit Available:** Supports gates between 3" and 5 1/2" thick with an optional extension kit.

AVAILABLE VERSIONS

| | |
|----------|------------------------------------------|
| SLDS | Superlatch digital |
| SLDSE140 | Extension kit for up to 5 1/2" thickness |



Gatemaster Gate Locking Bolt

Secure your gate with this easy to install robust surface-mounted lock.

Designed for easy installation, it attaches directly to the surface of metal or wooden gates, providing reliable security. To deadlock the gate, simply turn the key behind you.

- **Convenient Access:** Keyed on both sides for simple and secure entry and exit.
- **Versatile Design:** Non-handed, making it suitable for both left- and right-handed gates.
- **Long Throw for Security:** 2 1/16" deadbolt movement with a single turn of the key for a strong, secure lock.
- **Durable Construction:** Made from stainless steel, ensuring reliability in all outdoor environments.
- **Complete Kit:** Supplied with a screw-fixed keep plate (GLBKT) and fixing screws for both the lock and keep plate.
- **Optional Weld-In Lock Plates:** Plates are available for welding or screwing onto the gate, pre-drilled for perfect alignment with the lock. A slotted lock plate paired with the keep plate is ideal for securing double gates (see opposite page).



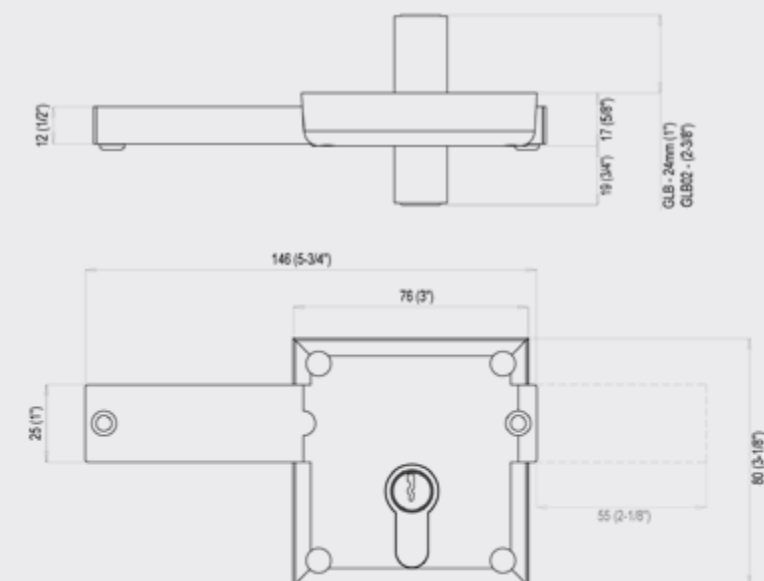
The lock euro cylinder which extends From the back of the lock is available in 2 lengths for different gate thicknesses.

SILVER VERSIONS

| | |
|-------|------------------------------|
| GLB | Euro cylinder extends 15/16" |
| GLB02 | Euro cylinder extends 2 3/8" |

BLACK VERSIONS

| | |
|--------|------------------------------|
| GLBB | Euro cylinder extends 15/16" |
| GLBB02 | Euro cylinder extends 2 3/8" |



GLBKT

Screw-Fixed Keep Plate (Included)

Supplied with our Gate Locking Bolt, this stainless steel plate fits securely to the gate post to receive the locking bolt.



GLBST

Slotted Screw-Fixed Lock Plate

Designed for wooden gates, this keep plate attaches to the second gate and passes through the slot in the lock plate, securing with the deadbolt. This helps prevent the gates from being forced open.



SSE

Screw-Fixed Escutcheon

Fitted around the euro cylinder, this Stainless Steel escutcheon provides added protection against attack.



GLBP

Standard Lock Plate

Ideal for single gates, this lock plate is supplied with fixing screws. Weld it to the gate and fit the lock once the gate has been galvanized or painted.



GLBS

Slotted Lock Plate

Used for double gates, this keep plate is welded to the second gate and passes through the slot in the lock plate, where it is secured with the deadbolt. This prevents the gates from being forced apart. It can also be used to enhance security on single gates.



GLBK

Weldable Steel Keep Plate

Designed to be welded to the gate post for secure fitting. A screw-fixed version (GLBKT) is supplied with the lock as standard.

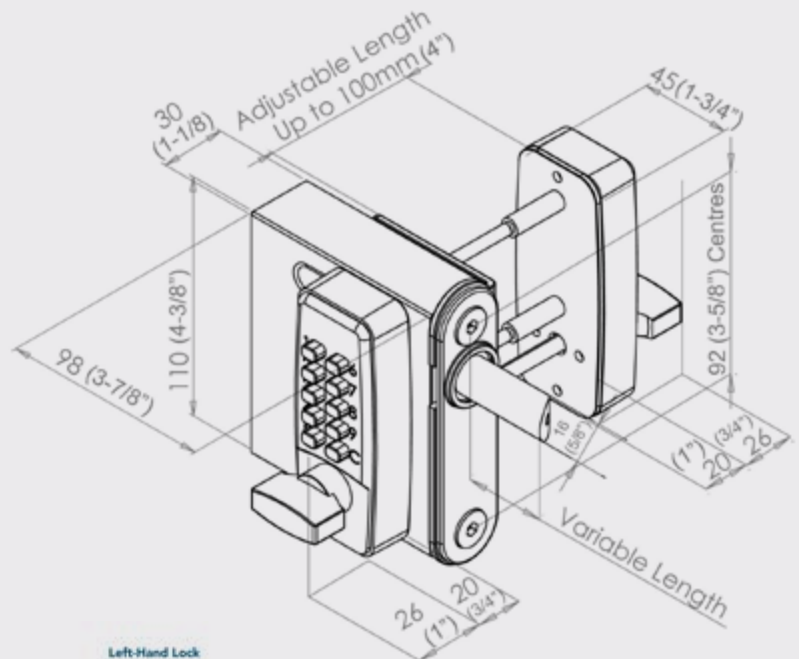


Gatemaster Surface Mounted Keypad Gate Lock

Achieve secure, keyless access with this high-performance marine-grade digital gate lock.

Perfect for surface fitting on wooden gates, it combines convenience with reliability. Installation is simple—just drill three holes in the gate frame and attach using the supplied fixing screws. The code can be easily customized to suit your needs.

- **Power-Free Convenience:** Mechanical keypads eliminate the need for electricity or batteries, ensuring quick and fuss-free setup.
- **Enhanced Security:** The latchbolt extends up to 13/16" into the keep, providing extra-strong locking and increased tolerance.
- **Weather-Resistant Design:** Tested to endure over 1,000 hours of salt spray, offering robust performance in outdoor environments.
- **Effortless Installation:** Supplied with a keep for straightforward fitting to your gate.
- **Auto-Latching Action:** The latchbolt locks automatically when the gate is closed. To unlock, simply enter the code and turn the handle.
- **Extra Security:** Includes a keep box for enhanced protection.

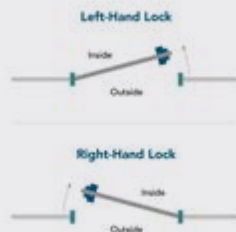


KEYPAD ON BOTH SIDES

| | |
|-------|------------|
| DGLWL | Left hand |
| DGLWR | Right hand |

KEYPAD ON OUTSIDE, HANDLE ON INSIDE

| | |
|--------|------------|
| DGLSWL | Left hand |
| DGLSWR | Right hand |



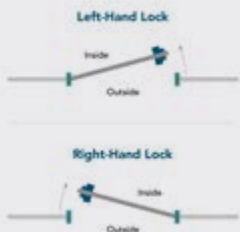
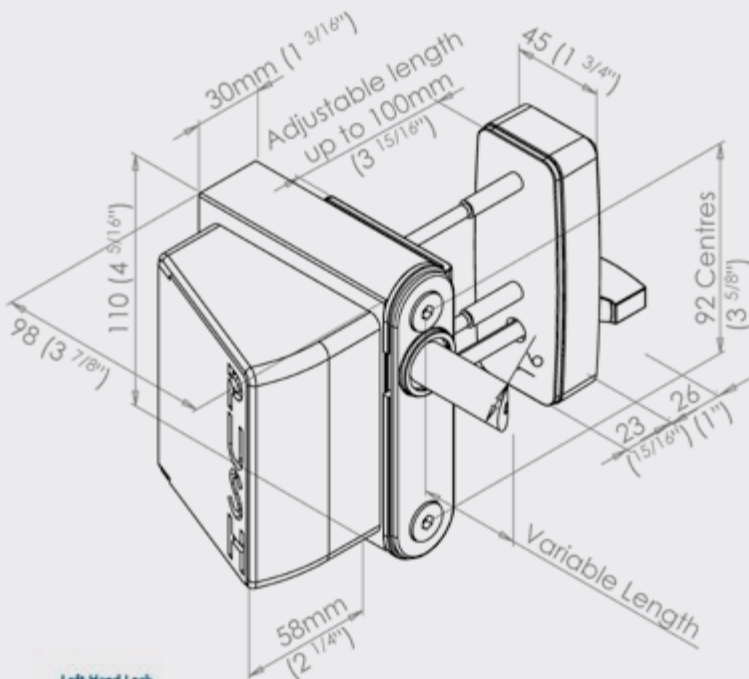
Gatemaster Surface Mounted Quick Exit Keypad Access



Provide secure, keyless access and effortless quick-exit with this surface-fixed gate lock.

This surface-fixed digital gate lock features a quick-exit push pad on the inside and a digital keypad on the outside. Designed for straightforward installation, it is ideal for both wooden and metal gates, making it perfect for locations requiring convenient exit and keyless entry.

- **Corrosion-resistant:** Built to withstand the elements, with a digital keypad on one side and a push-exit pad on the other, suitable for wooden and metal gates.
- **Effortless Installation:** Surface-mounted design requires only three drilled holes and screws to fit the lock securely onto the gate.
- **Auto-Latching:** Close the gate to automatically secure it as the latchbolt locks into the frame. To open, simply enter the code and turn the handle.
- **Adjustable Latchbolt:** The latch extends 7/8" and can be adjusted in length for precise on-site fitting, ensuring a snug and reliable fit.



AVAILABLE VERSIONS

| | |
|-----------|--------------------------------------|
| SBQEDGLWL | Surface fixed quick exit, left hand |
| SBQEDGLWR | Surface fixed quick exit, right hand |





MORTISE LOCKS DISCREET, ROBUST SECURITY

Our ML4 mortise hook lock is a revolutionary design incorporating a latch and deadlock in one single hooked bolt. Simply slotted into pre-drilled holes in square box section, the Gatemaster mortise lock is highly secure and protected from vandal attacks, blending well into any gate design.

ML4 Mortise Hook Lock 48

MLK 49



1

Compatible Design:
Fits seamlessly into 1-5/8" x 1-5/8" box sections or larger.

2

Complete Solution:
Available with a full hardware kit for convenience.

3

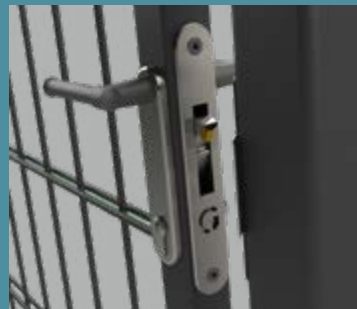
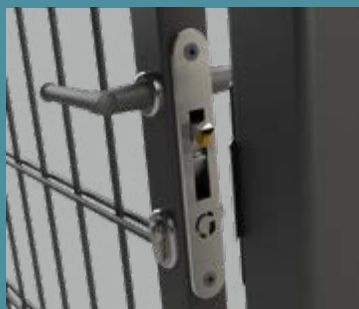
Corrosion-Resistant:
Made entirely from stainless steel for long-lasting durability.

4

Effortless Installation:
Simply slot into pre-cut holes in the gate for quick fitting.

5

Versatile Adjustment:
Adjustable latch tip for both left- and right-handed gates.

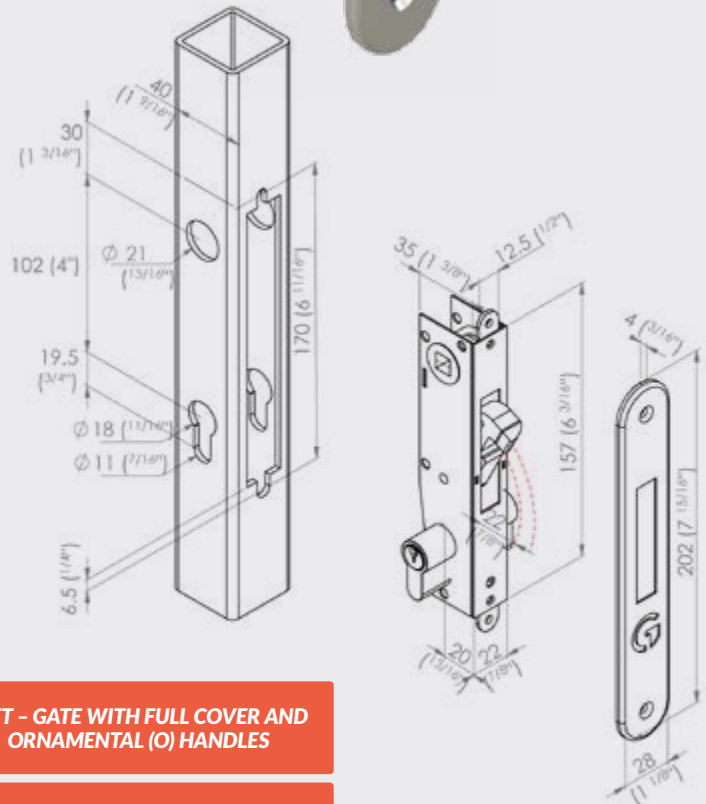


ML4 Mortise Hook Lock

The Gatemaster Mortise Hook Lock offers a perfect blend of strength, security, and stylish design for professional gate systems.

This innovative stainless steel lock combines a latch and deadlock in a single-action bolt, offering exceptional durability and effortless installation. Designed for 1 1/2"x1 1/2" box sections, it slides neatly into place without the need for drilling or tapping.

- **Extra-Strong:** Proven to withstand 1,000,000 openings for long-lasting performance.
- **Effortless Installation:** Once the profile is cut, the lock slides into position and secures with its own fixings.
- **Highly Secure:** The solid stainless steel hooked bolt resists forcing or levering attempts by intruders.
- **Weatherproof:** Constructed with premium stainless steel and brass components for superior corrosion resistance.
- **Universal Fit:** Adjustable latchbolt makes it suitable for both left- and right-handed gates.
- **Easy Operation:** Operate the latch with a handle or key, and deadlock it for added security.
- **Customisable Style:** Choose a separate cylinder and handle cover for a clean, minimal look or a one-piece polished cover plate for a sleek finish.
- **Comprehensive Kit:** Includes bolt-on keep, handles, cover plates, and a euro cylinder for a complete installation.



LEFT - GATE WITH FULL COVER AND ORNAMENTAL (O) HANDLES

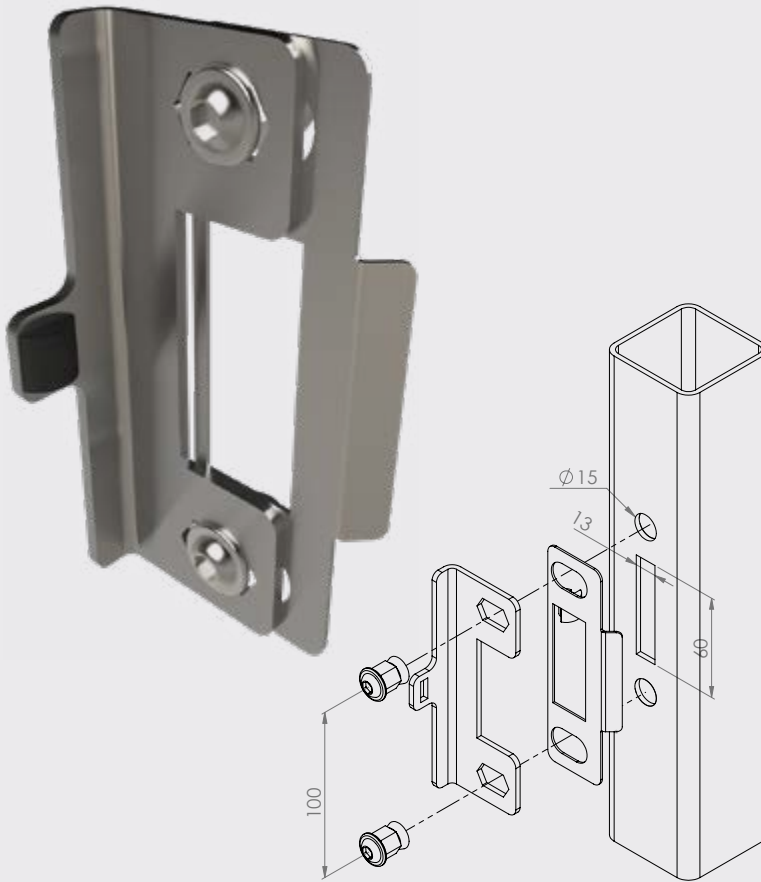
RIGHT - GATE WITH DUAL COVER AND PLAIN (P) HANDLES

AVAILABLE VERSIONS

| | |
|--------|-----------------------------------------|
| ML4DCP | Kit with dual cover, plain handles |
| ML4DCO | Kit with dual cover, ornamental handles |
| ML4FCP | Kit with full cover, plain handles |
| ML4FCO | Euro cylinder extends 2 3/8" |



Mortise Lock Keep (Included with the ML4)



Complete your gate system with this keep, designed to pair seamlessly with the mortise hook lock.

The stainless steel lock keep enhances the gate post's appearance while providing a secure and professional finish.

- **Sleek Design:** Covers the slot in the gate post for a neat, unobtrusive look.
- **Effortless Installation:** Simply bolts to the gate post using the included innovative expanding fasteners.
- **Adjustable Fit:** Compatible with post sizes from 1 1/2" to 2 1/4".

MLK

Mortise Lock Keep



ML4 Handles



Profiled Handle

SEE PAGE 50



Traditional Handle

SEE PAGE 50



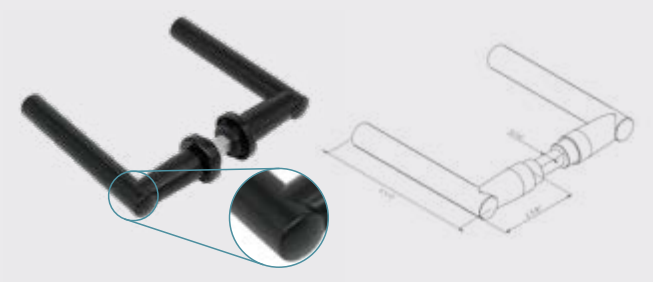
Stainless Steel

SEE PAGE 50

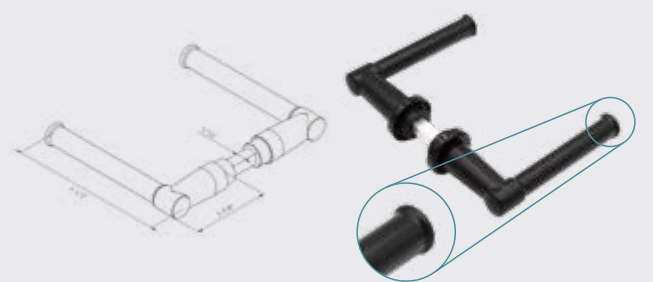
LOCK HANDLES SELECT YOUR STYLE

Our selection of handles is designed to complement any gate style, from ornate and traditional to sleek and modern designs. Crafted from durable aluminium or stainless steel, these handles are built to last. The perfect handle can truly enhance the appearance of your gate, which is why we offer a range to suit every preference and aesthetic.





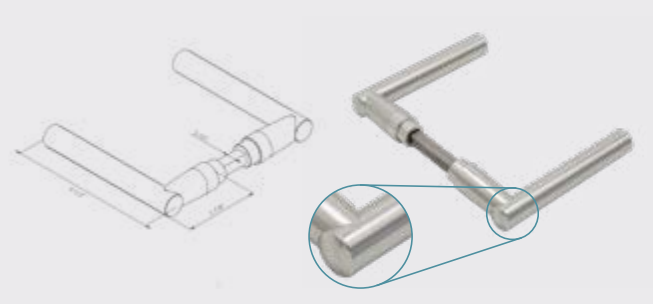
R Round handle set



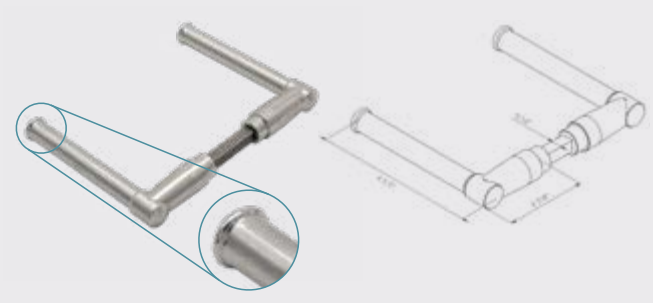
P Profiled handle set



T Twisted handle set



RS Round handle set, silver



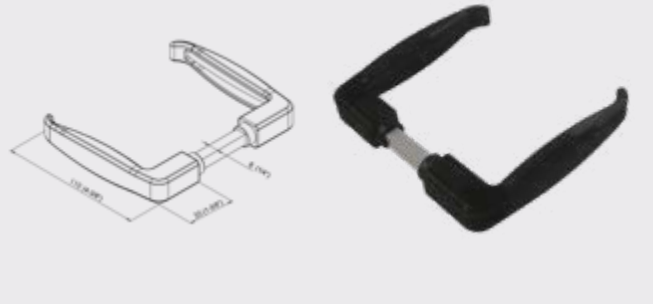
PS Profiled handle set, silver



SSH Stainless steel handle set



OK Octagon knob handle set



AH Alloy handle set

SUPERIOR SOLUTIONS FOR GATE SAFETY & SECURITY

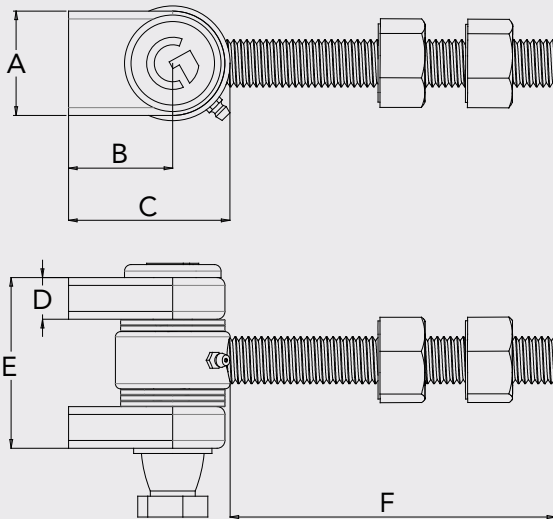
GATE HINGES

Gate hinges are one of the most vital components of any gate, ensuring both smooth operation and user safety. That's why we prioritize the use of premium materials and expert engineering, guaranteeing our hinges don't just meet expectations—they exceed them.

| | |
|------------------|----|
| Super Hinge | 53 |
| STHBP Stop Hinge | 54 |
| Security Collars | 55 |




Gatemaster Superhinge



With our 20-year guarantee we're confident in the reliability of the Gatemaster Superhinge. Built for strength and longevity, it delivers unbeatable performance.

Designed for heavy-duty performance, the Superhinge is tested to 500,000 openings with minimal wear and incorporates brass bearings for a smooth, consistent action. Backed by a lifetime guarantee, this hinge ensures your gate operates flawlessly for decades.

- **Superior Strength:** Strength-tested to support gates up to 1,985lbs per pair.
- **Ultra-Durable:** Proven to withstand 500,000 openings—equivalent to 50 years of daily use (25 openings a day) with no wear.
- **Built for Automation:** Low-friction design makes it ideal for use with automated gates.
- **Precisely Adjustable:** Features an adjustable bolt for accurate on-site fitting.



GATEMASTER GUARANTEE:
We're confident in the exceptional wear resistance of these hinges and guarantee to replace any hinge showing excessive wear within 20 years of purchase.

THE SUPERHINGE ALSO COMES IN A CORNER LUG VERSION

| | |
|-------|----------------------------------------------------|
| SH16C | M16 thread, corner lug, 330lbs weight limit/pair |
| SH20C | M20 thread, corner lug, 660lbs weight limit/pair |
| SH25C | M24 thread, corner lug, 990lbs weight limit/pair |
| SH30C | M30 thread, corner lug, 1,985lbs weight limit/pair |

AVAILABLE VERSIONS

| | | |
|------|------------|----------------------------|
| SH16 | M16 thread | 330lbs weight limit/pair |
| SH20 | M20 thread | 660lbs weight limit/pair |
| SH25 | M24 thread | 990lbs weight limit/pair |
| SH30 | M30 thread | 1,985lbs weight limit/pair |

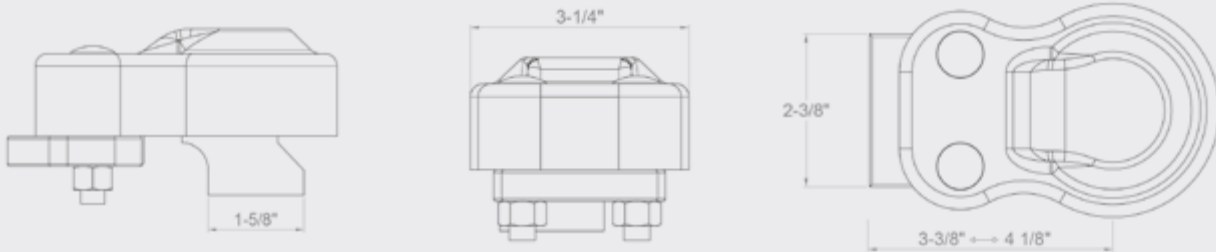
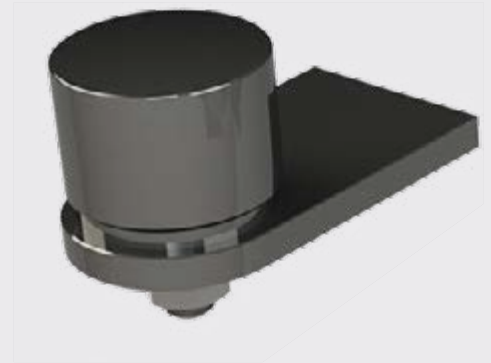
| | A | B | C | D | E | F |
|------|---------|---------|----------|--------|----------|----------|
| SH16 | 1 7/16" | 1 7/16" | 2 1/8" | 1/2" | 2 5/16" | 3 15/16" |
| SH20 | 1 1/2" | 1 1/2" | 2 7/16" | 5/8" | 2 5/8" | 4 15/16" |
| SH25 | 2 1/4" | 1 1/2" | 2 11/16" | 13/16" | 3 1/8" | 5 7/8" |
| SH30 | 2 1/2" | 1 3/4" | 3 1/16" | 15/16" | 3 11/16" | 7 7/8" |



Stop Hinge and Bottom Pivot Set

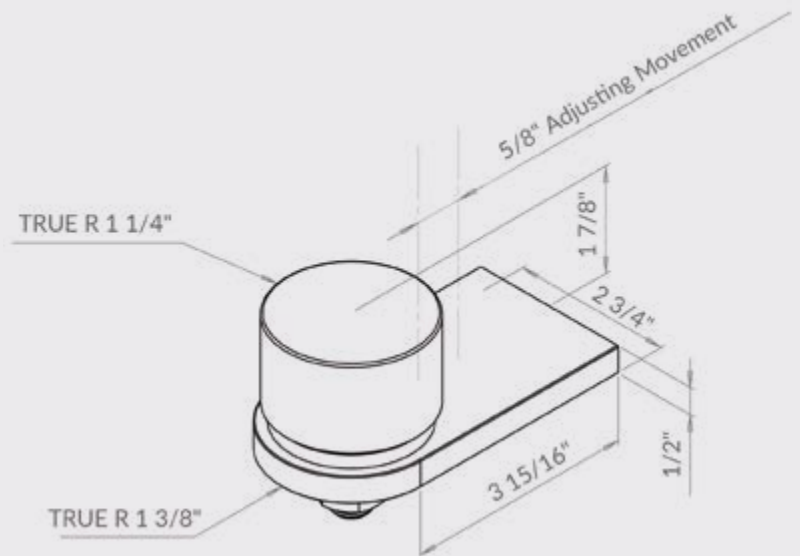
This durable weld-in hinge kit combines practicality, adaptability, and safety for reliable gate installations. Designed with an integral stop to prevent the gate from opening beyond 100°, it ensures both safety and ease of use while maintaining a sleek, functional design.

- **Improved Safety:** The integral stop eliminates the need for ground stops, reducing trip hazards.
- **Minimized Pinch Points:** Limits gate opening to 100° to keep gaps small and reduce potential risks.
- **Precisely Adjustable:** Both the top and bottom hinges offer on-site adjustment for accurate fitting.
- **Versatile Design:** Easily adaptable for use with both left- and right-handed gates.
- **Centered Pivot Option:** The gate pivot can be positioned at the center of the gate stile for balanced operation.



AVAILABLE VERSIONS

STHBP Stop hinge and bottom pivot set



Push Fit Security Collars



Gatemaster's Security Collars are the simple yet effective solution for protecting and enhancing gate hinges.

Designed for gates with hook and eye hinges, they prevent the gate from being lifted off while adding a polished finish to the hinge.

- **Added Security:** Protrusions inside the collar grip the metal of the gate hook, preventing removal once installed.
- **Fit in Seconds:** Quick and effortless installation—simply push onto the gate hook for a secure fit.
- **Professional Appearance:** Stainless steel cap provides a sleek and attractive finish for a tidy, professional look.

AVAILABLE VERSIONS

| | |
|-------|------------------------------|
| SCP12 | Security collar for 1/2" pin |
| SCP16 | Security collar for 5/8" pin |
| SCP19 | Security collar for 3/4" pin |
| SCP22 | Security collar for 7/8" pin |

Closing Hinges



Hydraulic Gate Closer

SEE PAGE 63



Light Duty Spring Closer

SEE PAGE 65

GATE CLOSERS

Gatemaster offers one of the largest ranges of mechanical gate closers globally. Designed to be easily adjustable and built to perform in any environment, our closers provide reliable functionality for all types of gates.

| | |
|---------------------------|----|
| APS Hydraulic Gate Closer | 57 |
| Gate Closing Strut | 58 |
| Light Duty Spring Closer | 59 |

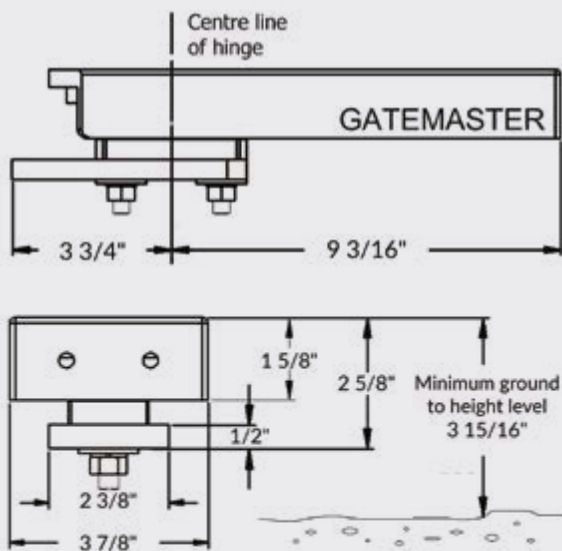


APS Hydraulic Gate Closer & Hinge Kit



Ensure safe and adjustable gate closure with this unobtrusive hydraulically controlled gate closer. Designed with proven technology, this kit is perfect for gates that require automatic self-closing functionality.

- **Safe Dual-Phase Closing:** The APS closer features controlled dual-phase closing speeds, preventing the gate from slamming and ensuring user safety.
- **Fully Adjustable:** Closing and latching speeds can be customized to suit the specific use case.
- **Strong Performance:** Capable of reliably closing gates up to 375lbs in weight.
- **Vandal-Resistant:** The durable closing unit is mounted underneath the gate, offering added protection from tampering.
- **Unobtrusive Design:** Installed at the bottom of the gate, the closer also functions as a load-bearing lower hinge, keeping the system compact and efficient.
- **No Power Needed:** As a hydraulic closer, it operates without the need for any electricity.
- **Hinge Options:** Choose between a standard built-in hinge (APS) or one with a built-in stop to prevent the gate from opening beyond 90° and damaging the closer (APSSTOP).
- **Bolt-On Version Available:** Also available as a bolt-on version (APSW) for flexible installation.



APSTOP SHOWN IN GATE

AVAILABLE VERSIONS

| | |
|--------|-----------------------------------|
| APS | Standard hinge |
| APSTOP | Gate closer with stop hinge |
| APSW | Gate closer, bolt-on installation |



Gate Closing Strut

Ensure smooth and reliable gate closing for both metal and wooden gates with the GSB gate closer.

Perfect for gates weighing up to 175lbs, this durable closer uses hydraulic damping to ensure the gate closes slowly and steadily. Simply weld or screw fix the brackets to the gate and post, and attach the closer for consistent, reliable performance.

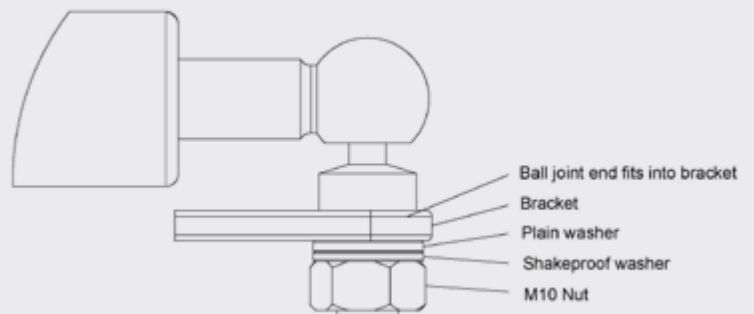
- **Proven Reliability:** Our trusted gate closer solution has been reliably closing gates for years.
- **Adjustable Force:** No need to release gas—simply move the closer along the brackets to adjust the closing force, giving you full control over the gate’s movement.
- **Effortless Fitting:** Adjustable brackets ensure easy installation, with no need to compress the strut.
- **Versatile Installation:** Comes with both weld-on and screw-fix brackets, allowing easy fitting to a wide range of gate types.
- **Handles Heavier Gates:** Can close much heavier gates if the hinges are free-running; contact us for advice on your specific gate.
- **Optional Force Reduction:** For permanent force reduction, a gas release tool is available—get in touch with the Gatemaster team for more details.



Available with weld-fix or screw-fix brackets, the GSB gate closer is suitable for both metal and wooden gates.

AVAILABLE VERSIONS

| | |
|------|-------------------|
| GSB | Weld-fix bracket |
| GSBW | Screw-fix bracket |



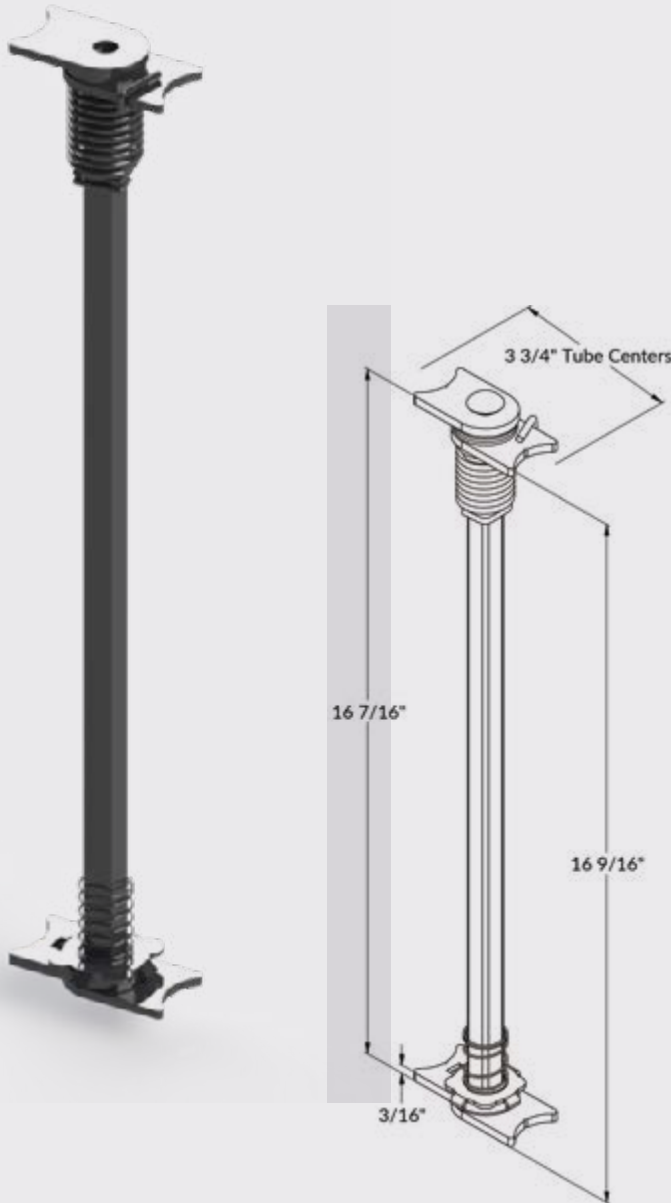
**SCREW-FIX VERSION (GSBW)
SHOWN FITTED TO GATE**

Light Duty Spring Closer

Keep access gates safely closed with this light-duty gate closer.

For gates requiring a reliable and safe closing mechanism, this closer is easy to weld onto smaller gates and fabrications, ensuring consistent and dependable performance. This dependable gate closer is a perfect solution for ensuring safety on access gates for commercial and work sites.

- **Effortless Installation:** Simply weld on the lugs and adjust the force as needed.
- **Customisable Tension:** On-site spring tension adjustment is quick and easy—just lift and rotate the adjuster wheel.
- **Ready to Finish:** Supplied to self-color, allowing for galvanising and painting to match the gate.
- **High Quality & Long-Lasting:** Precision engineered and built with durable materials to provide reliable performance and withstand daily use over time.



AVAILABLE VERSIONS

| | |
|--------|------------|
| LDSGCL | Left hand |
| LDSGCR | Right hand |



“Great service, competitive products, highly recommended and will have no hesitation in using again for future orders!”



GATE ACCESSORIES

Our range of gate accessories is designed with ease and practicality in mind. From enhanced drop rods with improved usability and security to gate bump stops and innovative gate security solutions, we offer everything you need for reliable and efficient gate safety and operation.

| | |
|-------------------|----|
| Drop Rods | 62 |
| Buffers | 66 |
| Safety & Security | 68 |





Drop Rods
Secure In-Ground Protection

Our drop rods are thoughtfully engineered to prevent lifting by intruders when both gates are closed, offering superior security compared to standard designs.

62



Buffers
Silent, Smooth Closing

Keep your gate closing quietly with our bump stops, available as standalone products or combined slam plates with pre-fitted stops for added convenience.

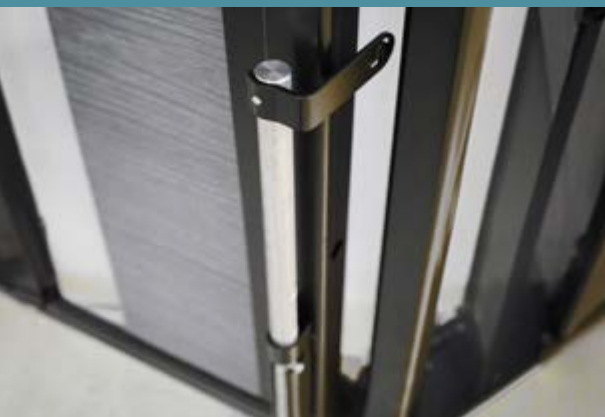
66



Safety & Security Products
Protecting People and Properties

Explore our range of innovative solutions designed to enhance property security and ensure the safety of gate users.

68



DROP RODS RELIABLE IN-GROUND SECURITY

At Gatemaster, we're committed to continuous innovation, delivering a range of products designed to enhance gate security. Our drop rods are specifically engineered to prevent gates from being forced apart, ensuring robust protection.

With options for both metal and wooden gates, our drop rods are built for heavy outdoor use, featuring solid construction and a durable galvanized or stainless steel finish.

LDB Locking Drop Bolt 63

ADB Auto-locking Drop Bolt 64

CD Concealed Drop Bolt 65



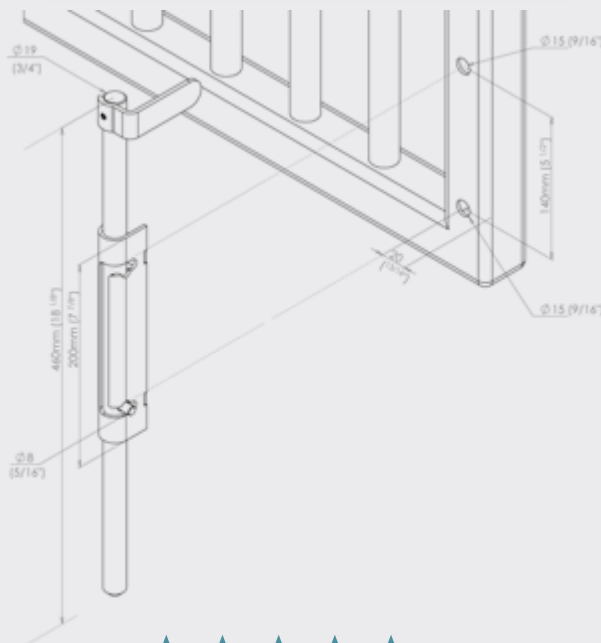
Secure Locking Drop Bolt



Secure your double gates with this simple yet innovative locking drop bolt.

Designed for strength and ease of use, it fits easily to the gate with expanding fasteners. Made for double gates, the locking plate is rotated round the edge of the gate frame, and cannot be lifted once the second gate is closed.

- **Robust Build:** Strongly constructed and available in aluminium or stainless steel finishes for durability.
- **Easy to Install:** Requires only two 1/2" holes in the gate and secures with the included expanding fasteners.
- **Adaptable Design:** Suitable for both left- and right-handed gates.
- **Simple to Secure:** When the drop bolt is lowered and rotated, closing the second gate ensures it cannot be unlocked.



"Talked me through the gate issue, gave very useful specific advice."

AVAILABLE VERSIONS

| | |
|-------|------------------------------------|
| LDB | Locking drop bolt, aluminium |
| LDBSS | Locking drop bolt, stainless steel |



Auto-Locking Drop Bolt

Secure your double gates with this heavy-duty auto-locking drop bolt.

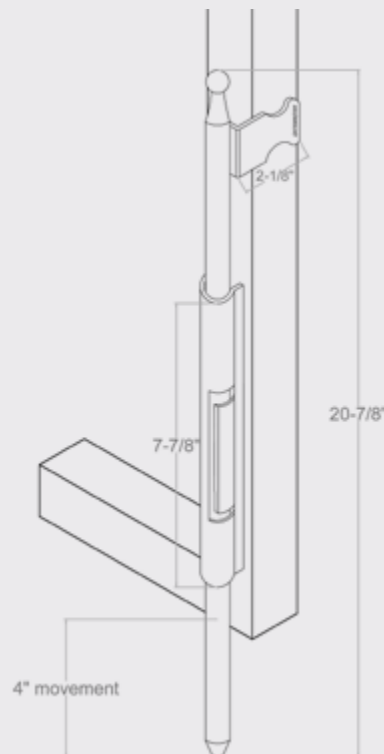
Designed for durability and functionality, the drop bolt locks securely into position when lowered and rotated, with the lifting plate folding across the edge of the gate. Once the second gate is closed, the bolt cannot be unlocked.

- **Robust Build:** 3/4" drop bolt with a 3 15/16" throw ensures the gate is firmly secured into the ground.
- **Flexible Installation:** Available in both weld-fix and bolt-on versions to suit your requirements. The bolt-on version is supplied with fixing bolts
- **Clever Security:** Ingenious design prevents the drop bolt from being lifted when both gates are closed.
- **Versatile Design:** Suitable for use with both left- and right-handed gates.

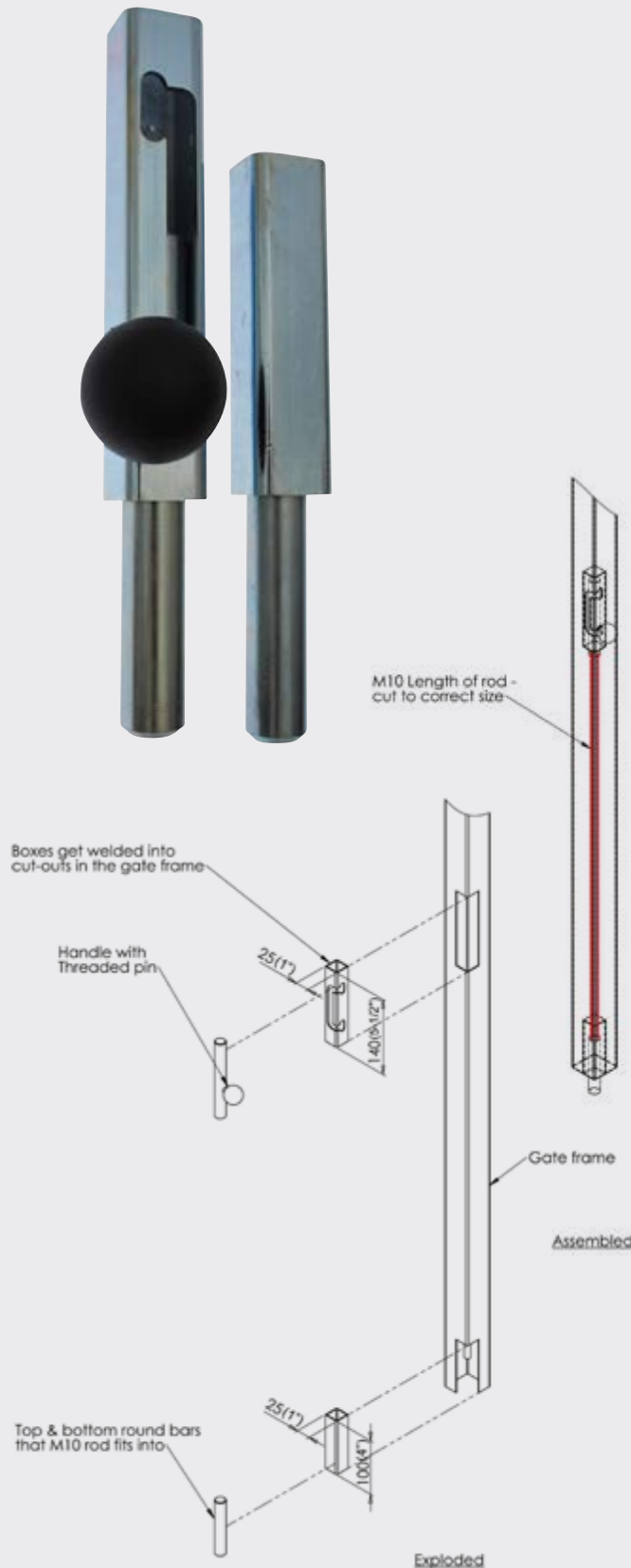


AVAILABLE VERSIONS

| | |
|------|-------------|
| ADB | Weld-on |
| ADBS | Screw fixed |



Concealed Vertical Drop Bolt



Keep your gates secure with this sleek and tamper-proof drop bolt.

Designed to fit neatly within the box section of single or double gates, this innovative drop bolt is discreet, durable, and highly effective. Simply cut slots in the gate stile, weld in the supplied boxes, and assemble with M10 threaded bar (not included) for a secure and professional finish.

- **Tamper-Proof Design:** The drop bolt is fully enclosed within the gate frame for added security.
- **Simple Assembly:** Uses M10 studding that can be cut to length, making it suitable for a range of gate sizes.
- **Versatile Fit:** Compatible with any box section larger than 1 3/16" x 1 3/16".
- **Clever Security for Double Gates:** On the double-gate version, the drop bolt can be lowered, rotated, and locked in position. Closing the second gate ensures it cannot be unlocked.

Available in two versions: one for single gates and one for double gates.

AVAILABLE VERSIONS

| | |
|-----|-----------------------|
| CDS | Single gate drop bolt |
| CDD | Double gate drop bolt |



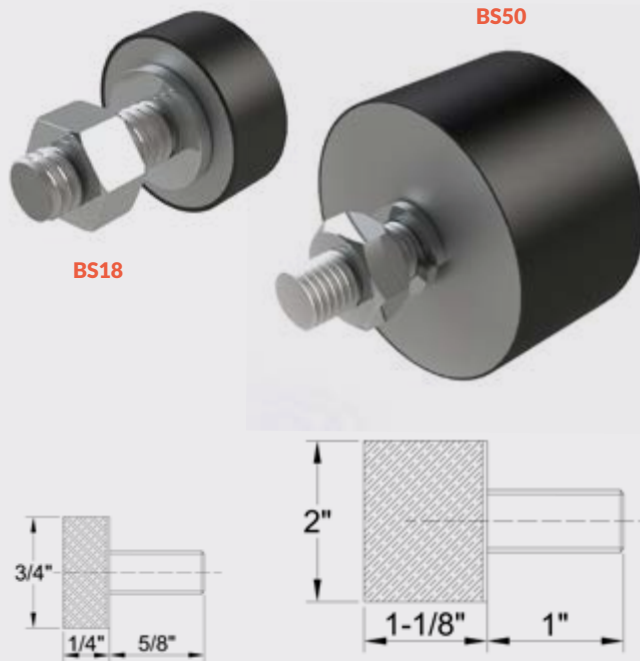
BUFFERS SILENT CLOSING

Gate buffers are essential for preventing noisy gate closures, ensuring the gate closes smoothly without a loud bang. They are particularly beneficial in residential areas where gates are in constant use, helping to minimize noise and disruption.

For added convenience, we also offer buffers pre-fitted to a bracket that doubles as a gate stop, eliminating the need to install a separate stop to prevent the gate from swinging back in the opposite direction.



Gate Bump Stop



These bump stops will reduce the noise and vibrations of the gate banging shut, often used in residential areas where noise can disturb the public.

- **Noise Damper:** Reduces the noise made when a gate closes.
- **Easy to install:** Simply screw into the gate stop with the nut provided.

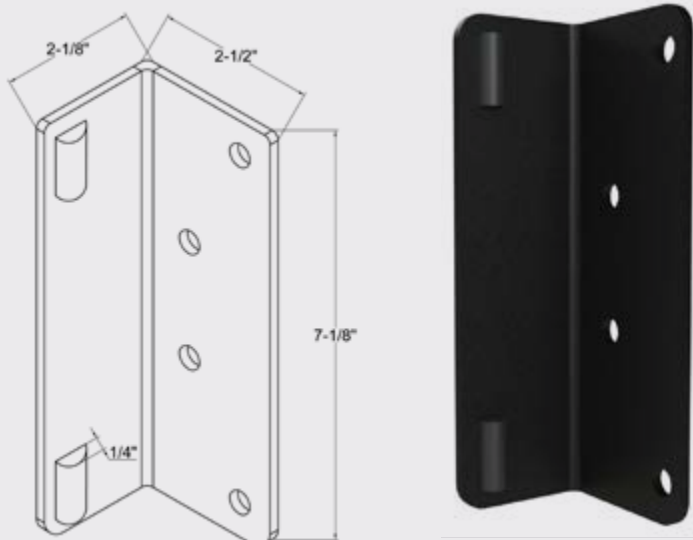
AVAILABLE VERSIONS

| | |
|------|----------------------------------------|
| BS18 | 3/4" diameter × 1/4" M6 × 5/8" thread |
| BS50 | 2" diameter × 1 3/16", M10 × 1" thread |

Gate Silencer Kit

Ensure quieter gate closing with a gate silencer kit. This is an angle bracket fitted with 2 bump stops which can be easily fitted to existing gates to prevent banging when the gate closes.

- **Easy to Fit:** Kit comes fully assembled to be bolted onto the gate post and supplied with fixings.
- **Durable:** Black powder coat finish, designed for use outside.



AVAILABLE VERSIONS

| | |
|-----|-------------------|
| GSK | Gate silencer kit |
|-----|-------------------|



SUPERIOR SOLUTIONS FOR GATE SAFETY & SECURITY

GATE SAFETY & SECURITY ENHANCING PROPERTY PROTECTION

Our range of innovative solutions is designed to ensure the security of properties and the safety of gate users. Our safety and security products are engineered to be both practical and long-lasting.

| | |
|----------------------------------|----|
| Gate Safety Restrainer | 70 |
| Other Safety & Security Products | 71 |



1

Strength: Braided wire construction provides superior strength for reliable performance.

2

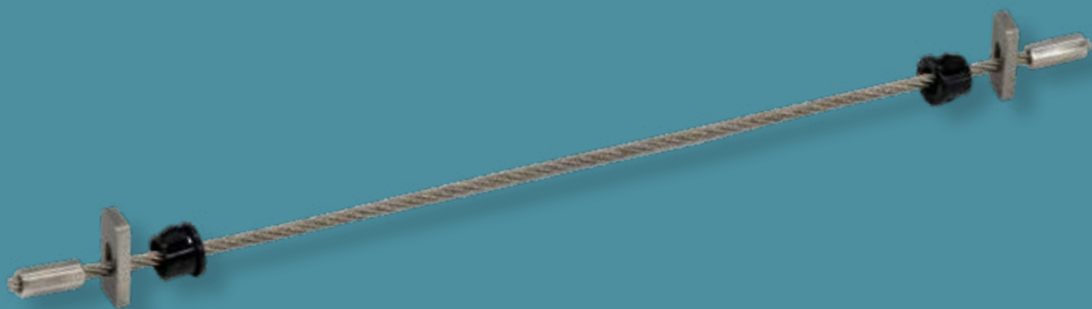
Durability: Stainless steel offers exceptional corrosion resistance, making it ideal for outdoor use.

3

Simplicity: Simple installation requires just two drilled holes, with stop ends that push in easily.

4

Smoothness: Plastic caps ensure smooth operation, allowing the system to slide in and out effortlessly.

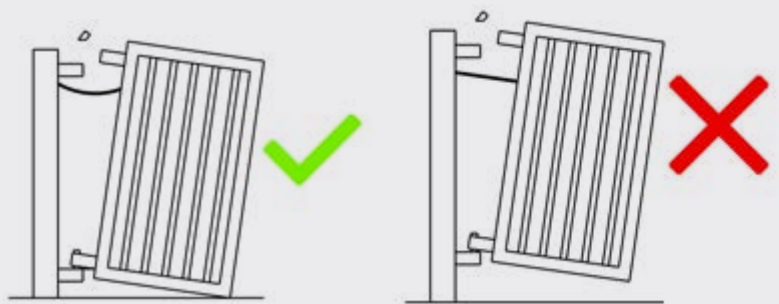


Gatemaster Gate Restrainer

Improve safety and protect your property and pedestrians with the stainless steel gate restrainer.

This safety device is designed to reduce the risk of gates falling in the event of hinge failure, offering an essential backup for swing gates where there is a risk of hinge failure causing harm or property damage.

- **Heavy Duty:** Made from flexible braided stainless steel wire and stainless steel end stops for robust performance.
- **Easy Installation:** Requires just two 1/2" holes for quick and simple fitting.
- **Versatile:** Compatible with any box section gate and can be easily retrofitted to existing gates.
- **Weather-Resistant:** Crafted from stainless steel, making it ideal for all outdoor environments.
- **Sleek and Discreet:** Offers a neat, unobtrusive finish that complements any gate color.
- **Tested for Strength:** Proven to withstand gates up to 1,100lbs in weight.

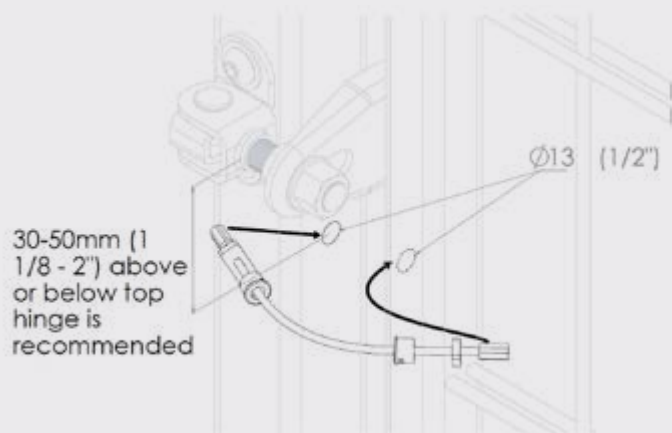


Please note: In the event of hinge failure, the edge of the gate should hit the ground before the restrainer engages. The device is designed to prevent the gate falling sideways, not to bear its full weight. If the gap from the bottom of the gate to the ground exceeds the length of the restraining device, it may not be suitable for your gate.

AVAILABLE VERSIONS

(based on a maximum gate width of 8.2ft)

| | |
|-------|--------------------------|
| GRS03 | For gates up to 572lbs |
| GRS04 | For gates up to 1,102lbs |



Weld-on Security Escutcheon

Weld on to protect an exposed euro cylinder from attack.

AVAILABLE VERSIONS

| | |
|-------|-----------------|
| WSE04 | 3/16" thickness |
| WSE08 | 5/16" thickness |
| WSE12 | 1/2" thickness |



Stainless Steel Security Escutcheon

Screw-fixed escutcheon to cover euro cylinder hole and protect it from attack.

AVAILABLE VERSIONS

| | |
|-----|-------------------------------------|
| SSE | Stainless steel security escutcheon |
|-----|-------------------------------------|



Push-Fit Security Collar

Fit to a hook and eye type hinge to prevent the gate being lifted off.

AVAILABLE VERSIONS

| | |
|-----|--------------------------|
| SCP | Push-fit security collar |
|-----|--------------------------|



SEE PAGE 55 FOR MORE INFORMATION

Self-Closing Gate Closers

Always ensure gates close and lock after use by combining a gate closer with one of our self-latching gate locks.

SEE PAGE 56 FOR MORE ON CLOSERS





Product Codes A-Z

To find the full code for product variations please go to the page and check the available versions.

| | | | | | |
|--------|----|------------|--------------|-------------------|-------|
| ADB | 64 | DGLS | 29 | SBLD | 21 |
| AH | 51 | DGLW | 44 | SBQEDG | 26 |
| APS | 57 | DROPBOLTS | 62 | SBQEDGLW | 45 |
| APSTOP | 57 | GLB | 42 | SBQEK | 25 |
| APSW | 57 | GLBB | 42 | SBQENA | 27 |
| BD | 9 | GRS | 70 | SBQES | 30 |
| BDG | 11 | GSB | 58 | SCP | 55 |
| BDGRR | 13 | GSK | 67 | SELECTPRO BOLT-ON | 20 |
| BDGSRR | 13 | HANDLES | 50 | SELECTPRO WELD-IN | 32 |
| BDGS | 12 | LDB | 63 | SGLD | 16 |
| BDGSW | 40 | LDSGC | 59 | SGLDRR | 16 |
| BDGW | 39 | ML4 | 48 | SH | 53 |
| BK | 10 | MLK | 49 | SHROUDS | 18,30 |
| BLD | 8 | OK | 51 | SLDS | 41 |
| BQS | 18 | P | 51 | SSE | 36 |
| BQDG | 14 | PS | 51 | SSH | 51 |
| BQK | 15 | QUICK EXIT | 14-16, 25-27 | STHBP | 54 |
| BQNA | 16 | R | 51 | SUPERHINGE | 53 |
| BS | 67 | RAPIDRESET | 13 | SUPERLOCK | 6 |
| BSK | 17 | RBA | 19 | SWD | 34 |
| BQS | 18 | RS | 51 | SWKLLT | 35 |
| CDD | 65 | SBD | 22 | SWLD | 33 |
| CDS | 65 | SBKLLT | 23 | T | 51 |
| DGL | 28 | SBL | 24 | WSE | 36 |



Need help finding the right gate hardware? Our team is here to assist! Get in touch with us today for expert advice and quality solutions tailored to your needs.



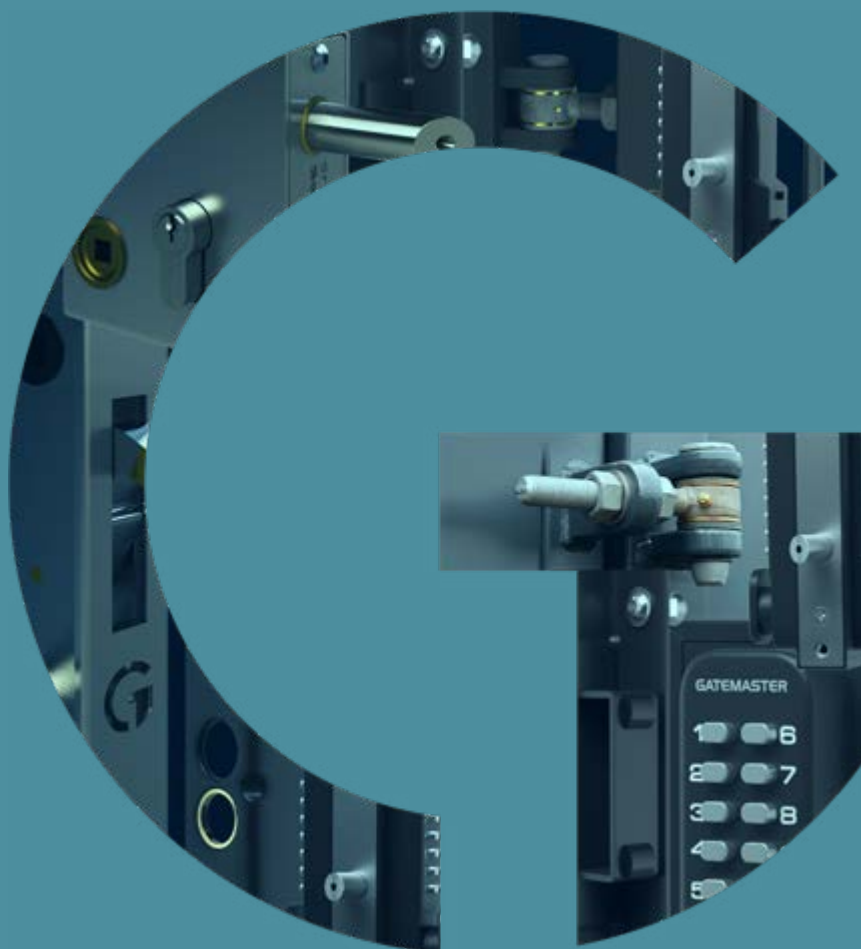
+1 214-872-9687



sales@gatemasterlocks.com



www.gatemasterlocks.com



Unit 3 & 5 Dickinson Place,
Durban Road Industrial Estate,
Bognor Regis,
West Sussex,
PO22 9QU,
United Kingdom

Phone: +1 214-872-9687

Email: sales@gatemasterlocks.com

www.gatemasterlocks.com



FS 764131