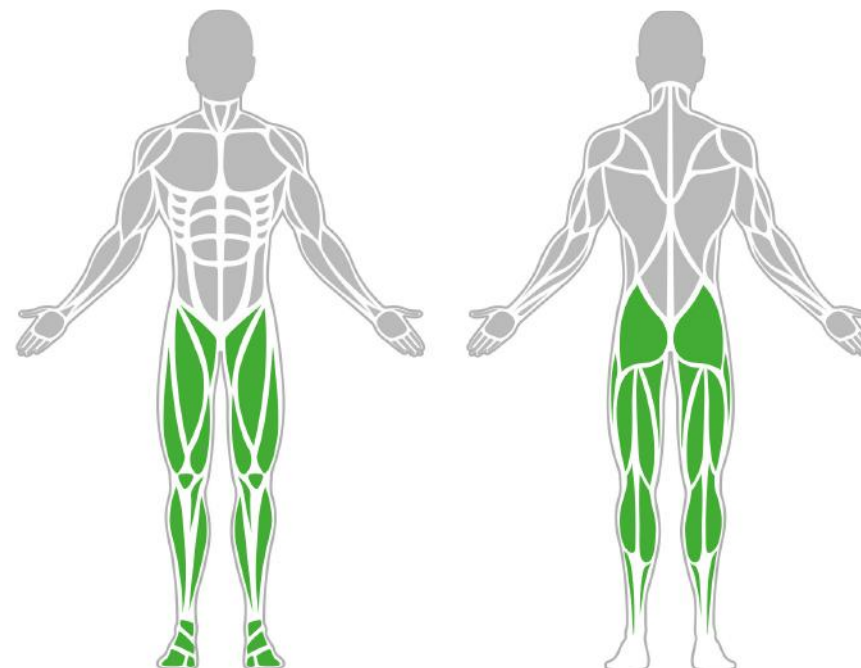




Muscle Groups Focus



Spinning Bike

Cycling is one of the most popular cardio exercises. It is simple, highly effective and safe. Cycling exercise puts little stress on the joints, but it can also develop the muscles of the thighs, calves and buttocks. BeStrong's Outdoor Spinning Bike combines a durable design with features familiar from professional indoor bikes. This makes it the perfect choice for both public areas and sports club tracks.

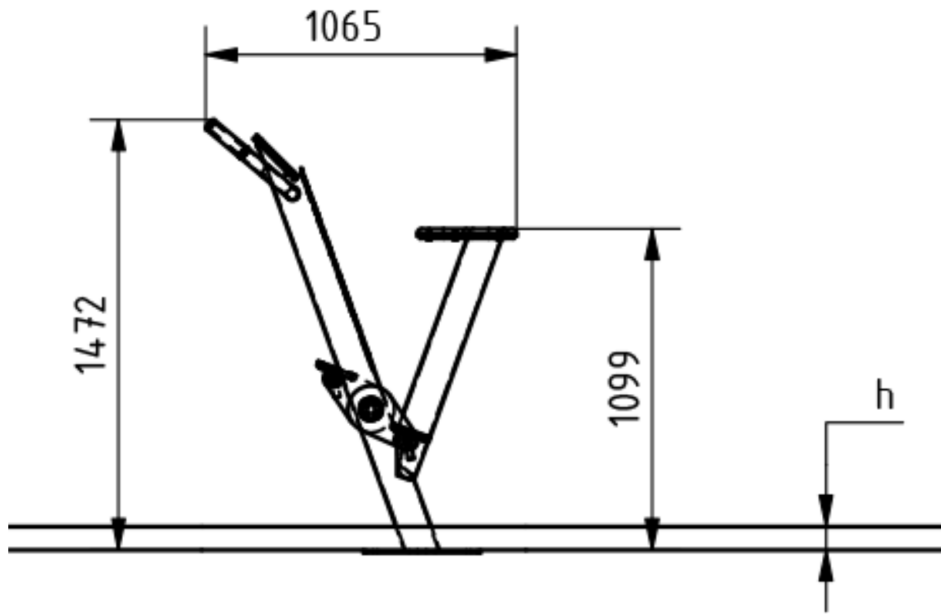
Attributes

Product code	1-1-308
Certificate	EN 16630
Age group	14 + years
Capacity	1 person
Max. weight load	130 kg
Type	Recreational
Difficulty level	Easy

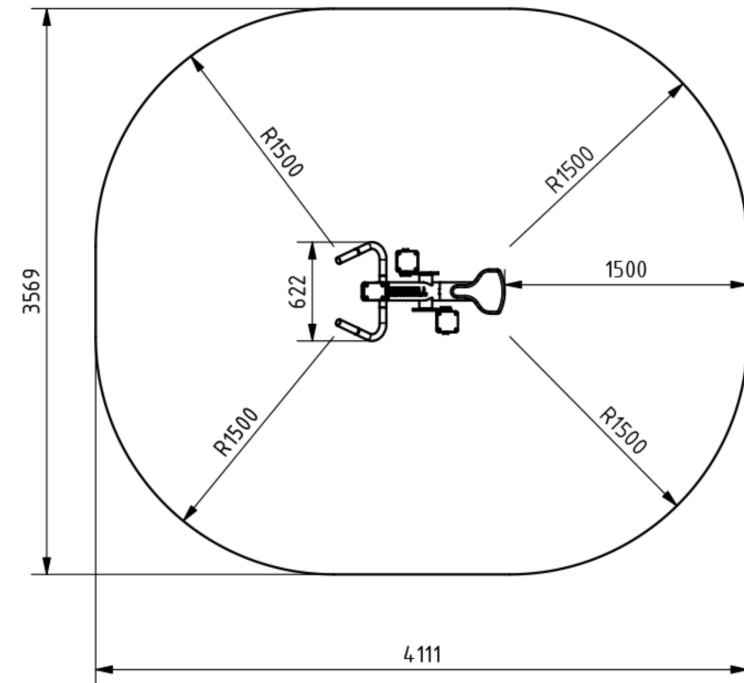
QR Code



Side View



Plan View



Installation information

Number of installers (concrete)	At least 2 people
Total installation time (concrete)	45-90 min.
Number of installers (equipment)	At least 2 people
Total installation time (equipment)	60-90 min.
Excavation volume	0,5 m ³
Concrete volume	0,5 m ³
Size of the base structure	0,8 x 0,8 x 0,8 m
Anchoring options	Surface mounted
In combined structures, the volume of concrete required varies.	

Technical specification

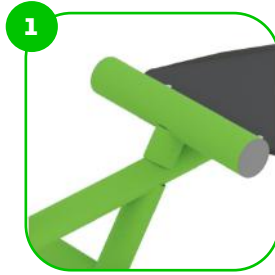
Safety surface area	Around 1,5 m radius
Net weight	83 kg
Material	S235, KO33
Critic fall height	1100 mm
Color options	● ● ● ● ● ●

For more color options, discuss with your sales representative.

Warranty

Structure	10 years
Steel	5-10 years
Paint	2 years
Plastic	5-10 years
Rubber	1-3 years
Moving parts	2 years
Detailed information in the warranty document	

Material specification



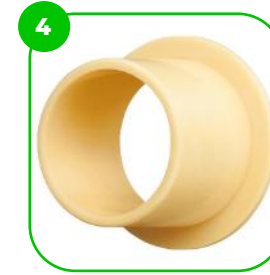
The element is made of high quality S235 steel, which has been cleaned via sandblasting. A corrosion resistant powder coating finish is then applied. Also available with galvanized surface for even greater protection and longevity!



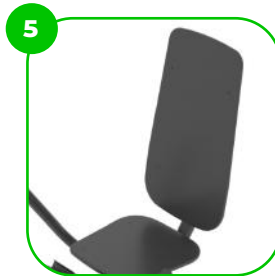
The device is equipped with an ergonomic non-slip HDPE phone holder for convenience.



At the end of the arms, the handle is rubber-coated for a more comfortable and secure grip.



The device is fitted with composite bearings that are weather-resistant. The bearing does not require regular maintenance.



The seats and backrests are made of strong HDPE material. Which is fully heat, moisture and UV resistant.



The footrests are made of premium quality non-slip HDPE with a high wear resistance.

BESTRONG

 [bestrongworld](#)  [bestrongworld](#)  [global.bestrong.com](#)  [info@bestrong.com](#)

