



Attributes

Product Code
Net weight
Max. weight load
Dimensions (w x l x h)
Color options

2-1-016
102 kg
350 kg
1644x1575x1358 mm



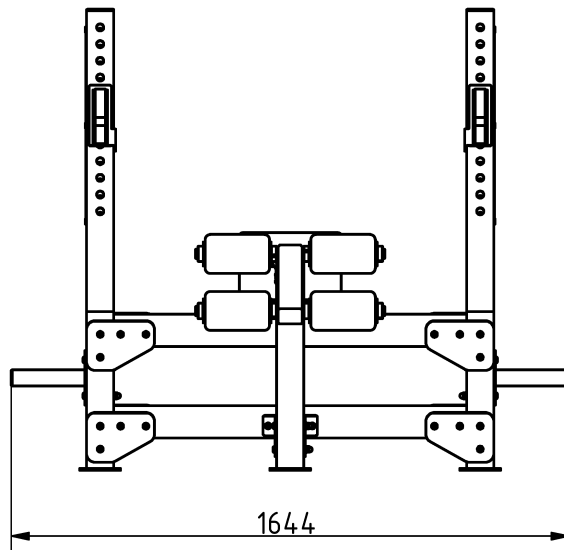
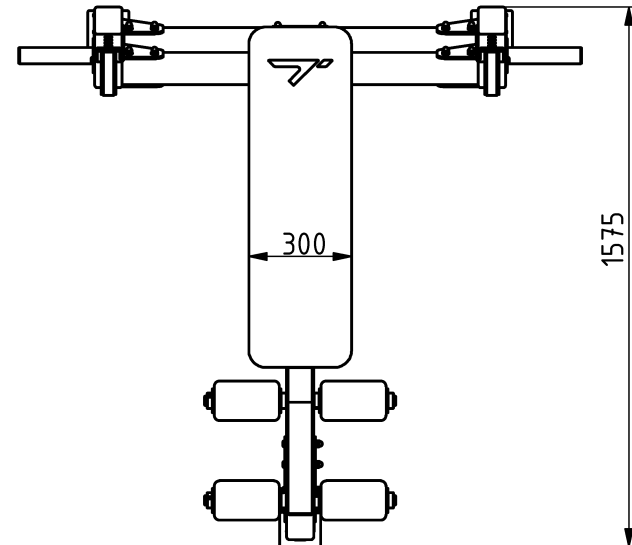
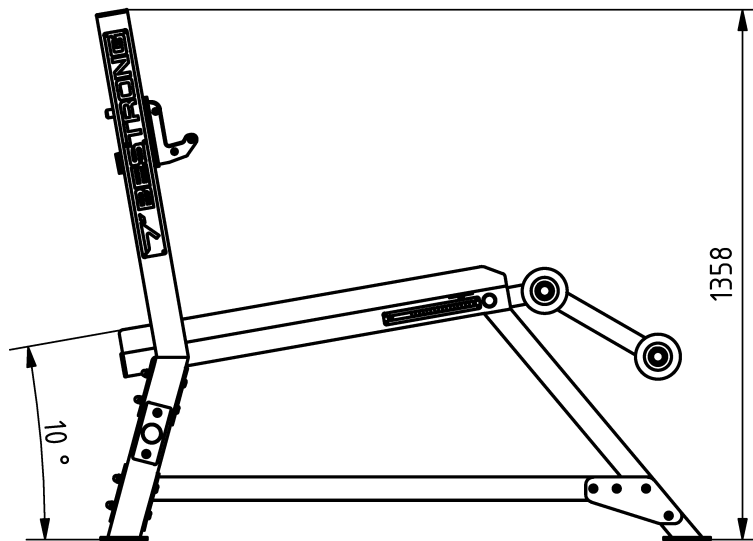
For more color options, discuss with your sales representative.

Warranty

Structure
Steel
Paint
Plastic
Rubber
Moving parts

25-15 years
5-10 years
2 years
5-10 years
1-3 years
2 years

Detailed information in the warranty document



BESTRONG

 [bestrongworld](#)  [bestrongworld](#)  [global.bestrong.com](#)  [info@bestrong.com](#)

