



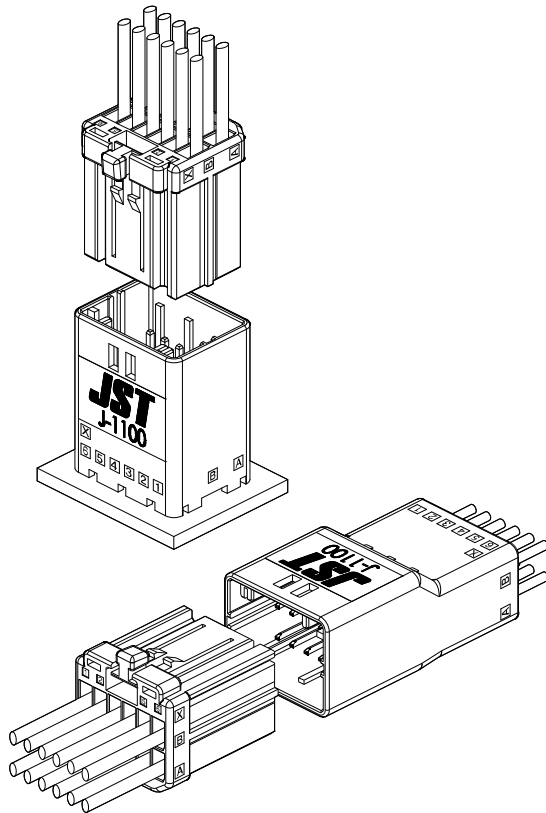
## Table of Contents

1.	J1000 Series	Page 3
1.1.	J1100	Page 6
1.2.	J1800	Page 10
2.	J2000 Series	Page 12
2.1.	J2100	Page 17
2.2.	J2200	Page 23
2.3.	J2300	Page 24
2.4.	J2400	Page 26
2.5.	J2700	Page 28
2.6.	J2800	Page 30
3.	J300 Series	Page 43
3.1.	J310S	Page 48
3.2.	J310D	Page 51
3.3.	J310M	Page 54
3.4.	J320S	Page 57
3.5.	J320M	Page 62
3.6.	J320T	Page 66
3.7.	J330	Page 69
3.8.	J340F	Page 70
3.9.	J350D	Page 71
3.10.	J380D	Page 76
3.11.	J360T	Page 82
3.12.	J-PF3	Page 88
4.	J4000 Series	Page 92
4.1.	J4200S	Page 94
4.2.	J4300S	Page 96
5.	JFA-B Connector	Page 99
6.	J5000 Series	Page 104
6.1.	J5200	Page 108
6.2.	J5300	Page 110
7.	J-FAT Connector	Page 112
7.1.	Mini Series	Page 115
7.2.	S-K Series	Page 118
7.3.	S-H Series	Page 120
7.4.	S-A Series	Page 122
7.5.	S-F Series	Page 128
7.6.	S-G Series	Page 131
7.7.	S-KT Series	Page 133
7.8.	S-4300 Series	Page 135
7.9.	S-XL Series	Page 137
7.10.	S-P Series	Page 140
8.	JFA-VL Connector	Page 141
8.1.	J300	Page 149
8.2.	J400	Page 150
8.3.	VL	Page 151
9.	Metal Shell Series	Page 154
9.1.	J2900	Page 156
9.2.	JFA-M	Page 160
10.	Connector for Motor – J1700 / J2700 / J3700	Page 167
11.	Connector for Motor (Reversed Mounting) – J1700 / J2700 / J3700 (S Type)	Page 171
12.	Connector for Motor (EMI Shielded) – J1700M / J2700M / J3700M	Page 175
13.	Index	Page 178



# JFA CONNECTOR J1000 SERIES

2.2 mm pitch/Disconnectable Crimp style connectors (For Wire-to-board/Wire-to-wire)



Connectors for signal circuit or power supply circuit, applicable to the factory automation, heavy electric machinery, and other industrial equipment in general.

In spite of various kinds of housings available, their contacts are designed to be common.

The applicable tooling can be standardized.

- Double-spring construction
- Up to AWG #18 with 2.2 mm pitch
- Housing lance
- Secure locking method

## Standards

Ⓡ : Recognized E 60389

## Specifications

• Current rating: AC/DC

Unit : A

No. of circuits	Wire size (AWG)					
	#18	#20	#22	#24	#26	#28
3	6.4	5.4	4.8	4.0	3.4	2.8
6	5.5	4.6	4.0	3.4	2.9	2.4
8	5.5	4.6	4.0	3.1	2.6	2.2
12	4.7	3.9	3.4	2.7	2.6	2.0
20	4.0	3.4	3.0	2.4	2.0	1.8
22	3.9	3.3	2.9	2.3	1.9	1.7
26	3.6	3.0	2.6	2.2	1.8	1.6
30	3.6	3.0	2.6	2.1	1.7	1.5

• Voltage rating: 125 V AC/DC...J1100 series  
250 V AC/DC...J1800 series

• Temperature range: -55°C to +105°C  
(including temperature rise in applying electrical current)

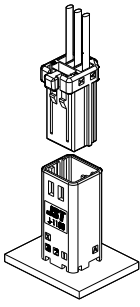
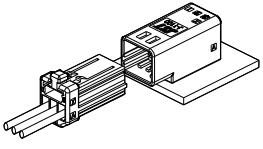
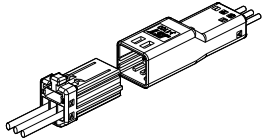
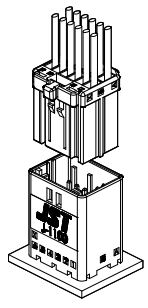
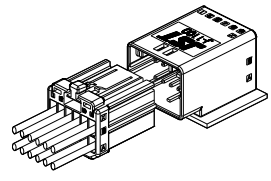
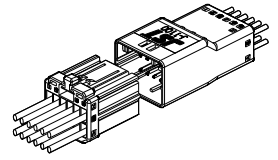
- Applicable wire: AWG #28 to #18
- Applicable PC board thickness: 1.6 mm

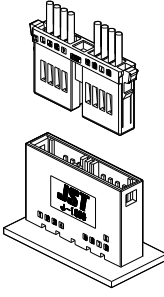
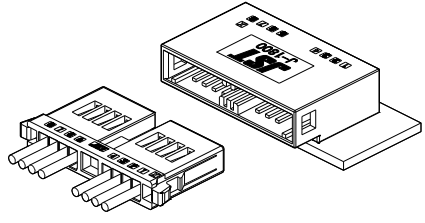
\* In using the products, refer to "Handling Precautions for Terminals and Connectors" described on our website (Technical documents of Product information page).

- \* RoHS2 compliance
- \* Dimensional unit: mm
- \* Contact JST for details.

# JFA CONNECTOR/J1000 SERIES

## J1000 series products line-up

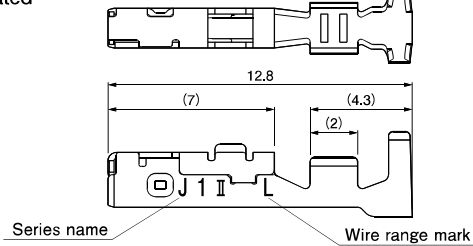
Type		2.2 mm pitch , Voltage rating 125 V AC/DC		
		Wire-to-board		Wire-to-wire
		Top entry type	Side entry type	Free hanging type
Center locking type	J1100 Single-row type			
	No. of circuits	3	3	3
	J1100 Dual-row type			
No. of circuits	6, 8, 12, 20, 22, 26, 30	6, 8, 12, 20, 30	6, 8, 12, 20, 26	

Type		2.2 mm pitch , Voltage rating 250 V AC/DC	
		Wire-to-board	
		Top entry type	Side entry type
Side locking type (Thin type)	J1800 Single-row type		
	No. of circuits	8	8

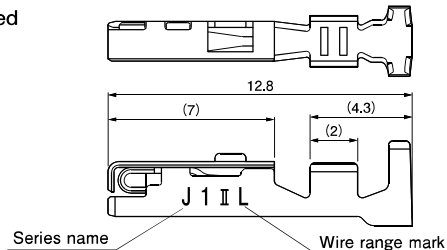
# JFA CONNECTOR/J1000 SERIES

## Receptacle contact

### ● Gold-plated



### ● Tin-plated



Strip contact Model No.	Series	Applicable wire			Insulation O.D. (mm)	Q'ty/reel
		Size	mm <sup>2</sup>	AWG #		
SF1F-002GC-P0,6	Gold (0,2μm)	M	0,08~0,2	28~24	0,88~1,43	6,000
SF1F-002T-P0,6	Tin					
SF1F-01GC-P0,6	Gold (0,2μm)	ME	0,2~0,5	24~20	1,30~1,90	5,500
SF1F-21GC-P0,6	Gold (0,2μm)					
SF1F-21T-P0,6	Tin	L	0,3~0,8	22~18	1,50~2,10	5,000

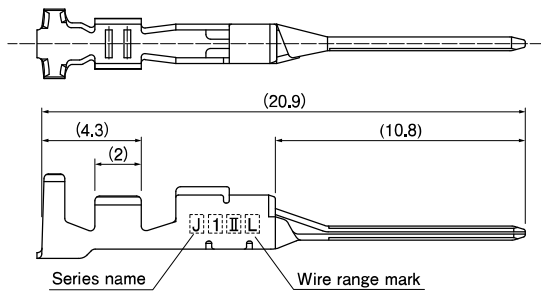
### Material and Finish

Copper alloy, nickel-undercoated, selective gold-plated  
Tin-plated

### RoHS2 compliance

- Note: 1. Contact JST for 0,76μm gold-plated product.  
2. Please note that the above general specifications may differ from the safety standards.

## Tab contact



Strip contact Model No.	Series	Applicable wire			Insulation O.D. (mm)	Q'ty/reel
		Size	mm <sup>2</sup>	AWG #		
SF1M-002GC-M0,6A	Gold (0,2μm)	M	0,08~0,2	28~24	0,88~1,43	6,000
SF1M-002T-M0,6A	Tin					
SF1M-01GC-M0,6A	Gold (0,2μm)	ME	0,2~0,5	24~20	1,30~1,90	5,500
SF1M-21GC-M0,6A	Gold (0,2μm)					
SF1M-21T-M0,6A	Tin	L	0,3~0,8	22~18	1,50~2,10	5,000

### Material and Finish

Copper alloy, nickel-undercoated, selective gold-plated  
Tin-plated

### RoHS2 compliance

- Note: 1. Contact JST for 0,76μm gold-plated product.  
2. Please note that the above general specifications may differ from the safety standards.

## Crimping machine, Applicator

Strip contact Model No.	Crimping machine	Crimp applicator	Applicator		
			Dies	Crimp applicator with dies	Hand tool
SF1F-002(*)-P0,6	AP-K2N	MKS-L	MK/SF1F/M-002-06	APLMK SF1F/M002-06	YRK-1220
SF1M-002(*)-M0,6A					
SF1F-01GC-P0,6	AP-K2N	MKS-L	MK/SF1F/M-01-06	APLMK SF1F/M01-06	YRK-1230
SF1M-01GC-M0,6A					

Strip contact Model No.	Crimping machine	Crimp applicator	Applicator		
			Dies	Crimp applicator with dies	Hand tool
SF1F-21(*)-P0,6	AP-K2N	MKS-L	MK/SF1F/M-21-06	APLMK SF1F/M21-06	YRK-1210
SF1M-21(*)-M0,6A					

Note: Finish (\*): GC...Nickel-undercoated, 0,2μm selective gold-plated  
T...Tin-plated

- Extraction tool for J1100 series: EJ-JFAJ1100/EJ-JFAJ1100N
  - Extraction tool for J1800 series: EJ-JFAJ18
  - Refer to crimping tools for details of YRK series hand crimping tools that uses a strip contact.
- Note: Contact JST for fully automatic crimping applicator.

## Recognition mark

### • Plating of the contact

Each contact has a marking on its side so that the type or thickness of the plating is recognized.

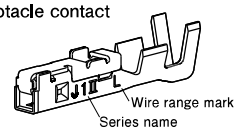
- ex. 1 ... gold-plated 0,2μm thickness  
3 ... gold-plated 0,76μm thickness  
5 ... tin-plated

### • Common marking on the contact and its application tools

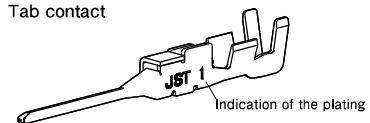
In order to avoid incorrect combination of the hand crimp tools or extraction tools and the contacts, the series name (for example J1II) and wire range mark (M, ME, L) are shown on both the tools and the contacts.

For example J1II M..... AWG #28 ~ #24  
ME..... AWG #24 ~ #20  
L..... AWG #22 ~ #18

Receptacle contact



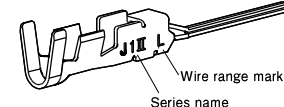
Tab contact



Receptacle contact



Tab contact



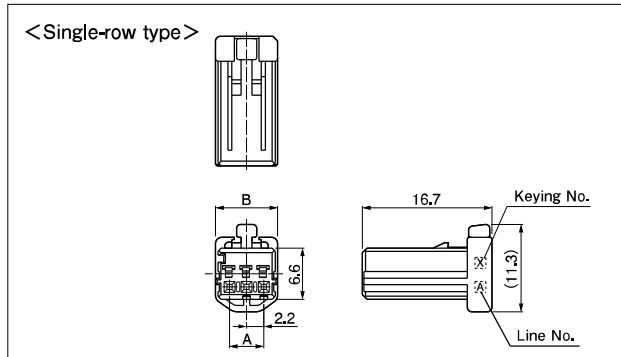
# J1000 SERIES/J1100

## Assembly layout

Type	Wire-to-board		Wire-to-wire
	Top entry type	Side entry type	Free hanging type
J1100 Single-row type			
J1100 Dual-row type			

# J1000 SERIES/J1100

## Receptacle housing



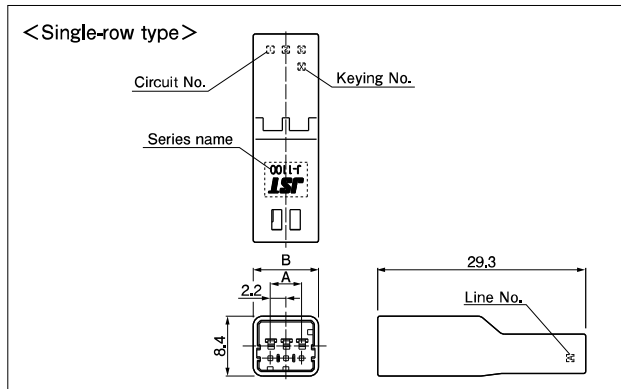
No. of circuits	Keying	Model No.	Dimensions (mm)		Q'ty/box
			A	B	
3	X	J11SF-03V-KX	4.4	8.0	1,200
	Y	J11SF-03V-KY	4.4	8.0	1,200

### Material and Finish

Glass-filled PBT, UL94V-0, black

RoHS2 compliance

## Tab housing



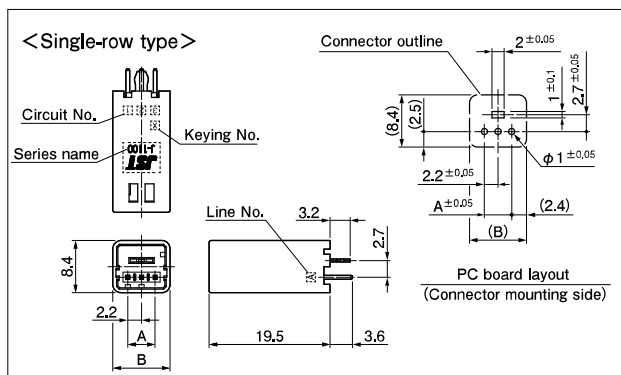
No. of circuits	Keying	Model No.	Dimensions (mm)		Q'ty/box
			A	B	
3	X	J11SFM-03V-KX	4.4	9.2	500
	Y	—	—	—	—

### Material and Finish

Glass-filled PBT, UL94V-0, black

RoHS2 compliance

## Header Top entry type



No. of circuits	Plating	Keying	Model No.	Dimensions (mm)		Q'ty/box
				A	B	
3	Gold (0.2μm)	X	B03B-J11SK-GWXR	4.4	9.2	625
		Y	B03B-J11SK-GWYR	4.4	9.2	
	Tin	X	B03B-J11SK-TXR	4.4	9.2	625
		Y	B03B-J11SK-TYR	4.4	9.2	

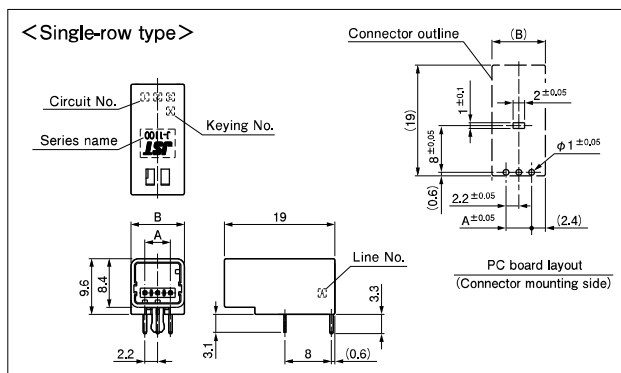
### Material and Finish

Post: Copper alloy, gold-plated, tin-plated  
Housing: Glass-filled PBT, UL94V-0, black  
Reinforcement: Copper alloy, tin-plated

RoHS2 compliance

Note: 1. Gold-plated product displays (LF) on a label.  
2. Contact JST for 0.76 μm gold-plated product.

## Header Side entry type



No. of circuits	Plating	Keying	Model No.	Dimensions (mm)		Q'ty/box
				A	B	
3	Gold (0.2μm)	X	S03B-J11SK-GWXR	4.4	9.2	600
		Y	S03B-J11SK-GWYR	4.4	9.2	
	Tin	X	S03B-J11SK-TXR	4.4	9.2	600
		Y	S03B-J11SK-TYR	4.4	9.2	

### Material and Finish

Post: Copper alloy, gold-plated, tin-plated  
Housing: Glass-filled PBT, UL94V-0, black  
Reinforcement: Copper alloy, tin-plated

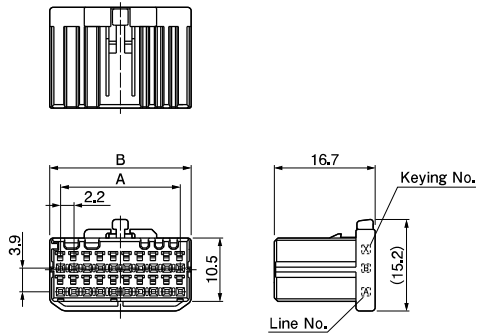
RoHS2 compliance

Note: 1. Gold-plated product displays (LF) on a label.  
2. Contact JST for 0.76 μm gold-plated product.

# J1000 SERIES/J1100

## Receptacle housing

<Dual-row type>



No. of circuits	Keying	Model No.	Dimensions (mm)		Q'ty/box
			A	B	
6	X	J11DF-06V-KX	4.4	8.0	800
	Y	J11DF-06V-KY	4.4	8.0	800
8	X	J11DF-08V-KX	6.6	10.2	500
	Y	J11DF-08V-KY	6.6	10.2	500
12	X	J11DF-12V-KX	11.0	14.6	400
	Y	J11DF-12V-KY	11.0	14.6	400
20	X	J11DF-20V-KX	19.8	23.4	250
	Y	J11DF-20V-KY	19.8	23.4	250
22	X	* J11DF-22V-KX	22.0	25.6	250
	Y	* J11DF-22V-KY	22.0	25.6	250
26	X	* J11DF-26V-KX	26.4	30.0	200
	Y	* J11DF-26V-KY	26.4	30.0	200
30	X	* J11DF-30V-KX	30.8	34.4	180
	Y	* J11DF-30V-KY	30.8	34.4	180

### Material and Finish

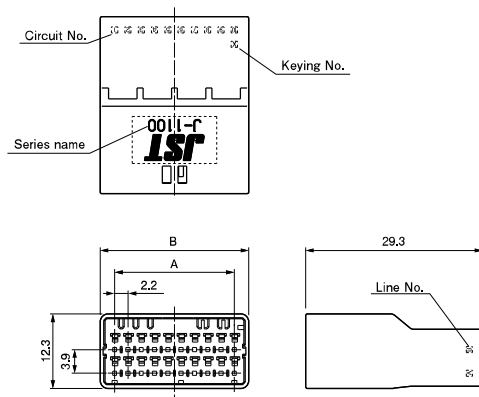
Glass-filled PBT, UL94V-0, black

RoHS2 compliance

Note: \* Marked products are unlisted in UL.

## Tab housing

<Dual-row type>



No. of circuits	Keying	Model No.	Dimensions (mm)		Q'ty/box
			A	B	
6	X	J11DFM-06V-KX	4.4	9.2	400
	Y	J11DFM-06V-KY	4.4	9.2	400
8	X	J11DFM-08V-KX	6.6	11.4	300
	Y	—	—	—	—
12	X	J11DFM-12V-KX	11.0	15.8	200
	Y	—	—	—	—
20	X	J11DFM-20V-KX	19.8	24.6	150
	Y	—	—	—	—
26	X	* J11DFM-26V-KX	26.4	31.2	120
	Y	* J11DFM-26V-KY	26.4	31.2	120

### Material and Finish

Glass-filled PBT, UL94V-0, black

RoHS2 compliance

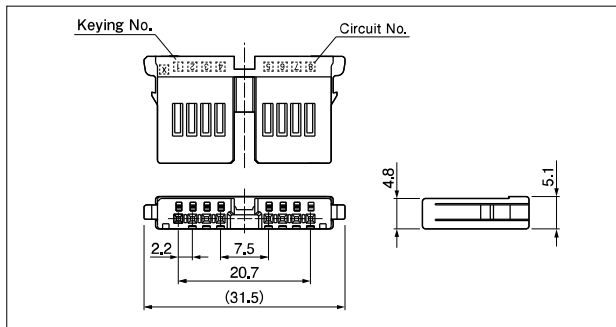
Note: \* Marked products are unlisted in UL.



## Assembly layout

Type	Wire-to-board	
	Top entry type	Side entry type
Single-row type		

## Receptacle housing



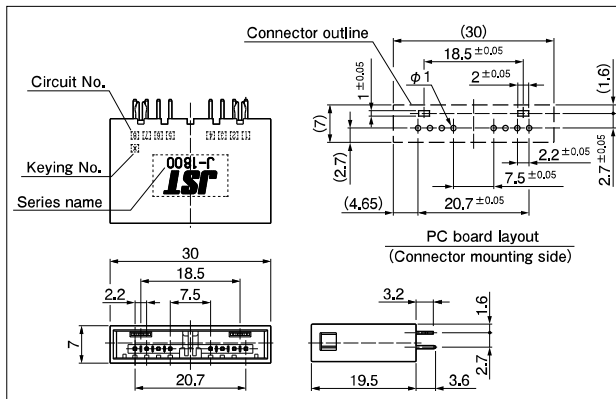
No. of circuits	Keying	Model No.	Q'ty/box
8	X	J18SF-08V-KX	450
	Y	—	—

### Material and Finish

Glass-filled PBT, UL94V-0, black

RoHS2 compliance

## Header Top entry type



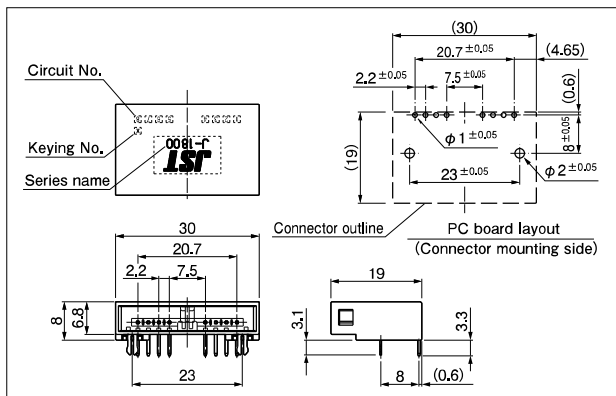
No. of circuits	Keying	Model No.	Q'ty/box
8	X	B08B-J18SK-TXR	245
	Y	—	—

### Material and Finish

Post: Copper alloy, tin-plated  
Housing: Glass-filled PBT, UL94V-0, black  
Reinforcement: Copper alloy, tin-plated

RoHS2 compliance

## Header Side entry type



No. of circuits	Keying	Model No.	Q'ty/box
8	X	S08B-J18SK-TXR	220
	Y	—	—

### Material and Finish

Post: Copper alloy, tin-plated  
Housing: Glass-filled PBT, UL94V-0, black  
Reinforcement: Copper alloy, tin-plated

RoHS2 compliance

# JFA CONNECTOR/J1000 SERIES

## Model number allocation

### Receptacle contact

**S F1 F - 21 T - P 0.6**

Form: S...Strip form

Series name

Kind of terminal: F...Receptacle contact

Applicable wire: 002...AWG #28 ~ AWG #24  
01...AWG #24 ~ AWG #20  
21...AWG #22 ~ AWG #18

Surface finish: GC...Nickel-undercoated, selective gold-plated (0.2 μm)  
GI...Nickel-undercoated, selective gold-plated (0.76 μm)  
T...Tin-plated

Material: P...Copper alloy

Terminal size

### Tab contact

**S F1 M - 21 T - M 0.6 A**

Form: S...Strip form

Series name

Kind of terminal: M...Tab contact

Applicable wire: 002...AWG #28 ~ AWG #24  
01...AWG #24 ~ AWG #20  
21...AWG #22 ~ AWG #18

Surface finish: GC...Nickel-undercoated, selective gold-plated (0.2 μm)  
GI...Nickel-undercoated, selective gold-plated (0.76 μm)  
T...Tin-plated

Material: M...Copper alloy

Terminal size

Sub model number

### Receptacle housing

**J11 DF - 06 V - K X**

Series name

Type of connector: SF...Single-row type  
DF...Dual-row type

Circuits: 3, 6, 8, 12, 20, 22, 26, 30

Flammability: V...UL94V-0

Color indication: K...Black

Keying: X...X-Keying, Y...Y-Keying

### Tab housing

**J11 DFM - 06 V - K X**

Series name

Type of connector: SFM...Single-row type  
DFM...Dual-row type

Circuits: 3, 6, 8, 12, 20, 26

Flammability: V...UL94V-0

Color indication: K...Black

Keying: X...X-Keying, Y...Y-Keying

### Header

**B 06 B - J11 D K - T X R**

PC board mounting direction:  
B...Top entry type  
S...Side entry type

Circuits: 3, 6, 8, 12, 20, 22, 26, 30

Shape of assembled product

Series name

Rows: S...Single-row, D...Dual-row

Color indication: K...Black

Surface finish: GW...Nickel-undercoated, selective gold-plated (0.2 μm)  
GZ...Nickel-undercoated, selective gold-plated (0.76 μm)  
T...Tin-plated

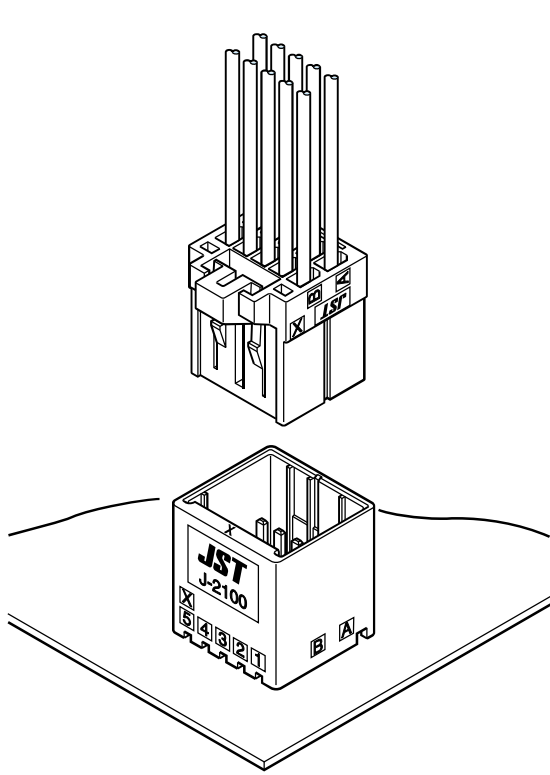
Keying: X...X-Keying, Y...Y-Keying

Packaging form: R...Tray



# JFA CONNECTOR J2000 SERIES

2.5/3.5 mm pitch/Wire-to-Board connection (Crimp style and Mating style) /  
Wire-to-Wire connection



Connectors for miniaturization of electronic equipment.

Center locking and side locking options can be used depending on the required application.

Receptacle and tab contacts are designed to be common with all JFA connector J2000 series.

- Dual-spring construction
- 2 kinds of locking method
- Housing lance
- Clear “click feeling”

## Standards

Ⓜ : Recognized E 60389

△ : J50209682

## Specifications

- Current rating: AC/DC

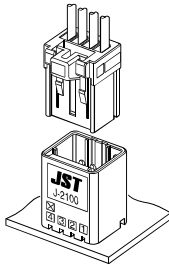
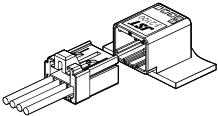
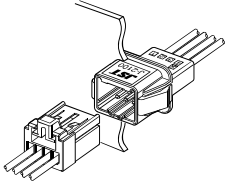
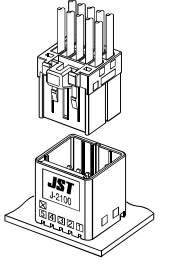
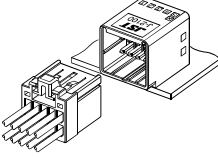
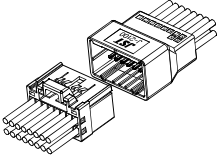
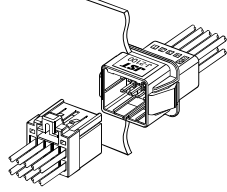
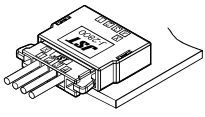
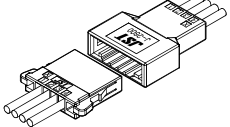
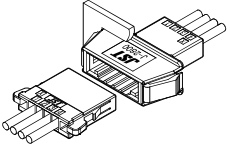
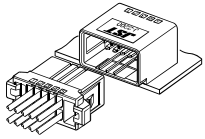
Current unit: A

No. of circuits	Wire size (AWG)				
	#20	#22	#24	#26	#28
3	4.6	4.4	3.4	3.0	2.4
4	4.5	4.3	3.2	2.8	2.3
6	4.3	4.1	2.8	2.6	2.1
8	4.1	3.6	2.6	2.3	1.9
10	3.9	3.4	2.5	2.2	1.8
12	3.6	3.1	2.4	2.0	1.6
16	3.2	2.8	2.2	1.8	1.4
20	2.9	2.5	2.1	1.7	1.3
30	2.8	2.4	2.0	1.6	1.2
40	2.7	2.3	1.9	1.5	1.1

- Voltage rating: 125 V AC/DC...J2300 Series  
250 V AC/DC...J2100, J2200, J2400,  
J2500, J2800 Series
- Temperature range: -55°C to +105°C  
(including temperature rise in applying electrical current)
- Applicable wire range: AWG #28 to AWG #20
- Applicable PC board thickness: 1.6 mm
- \* Please note that the above general specifications may differ from the safety standards.
- \* Refer to each page for the specifications of the Common, Sensor type (J2300) and Common type (J2500).
- \* In using the products, refer to "Handling Precautions for Terminals and Connectors" described on our website (Technical documents of Product information page).
- \* RoHS2 compliance
- \* Dimensional unit: mm
- \* Contact JST for details.

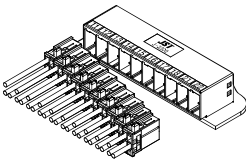
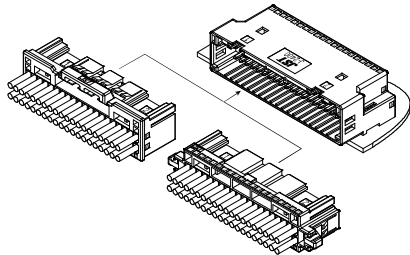
# JFA CONNECTOR / J2000 SERIES

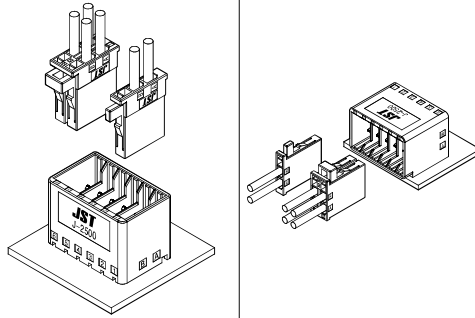
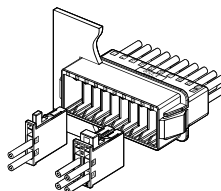
## J2000 Series product line-up

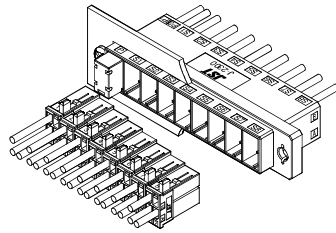
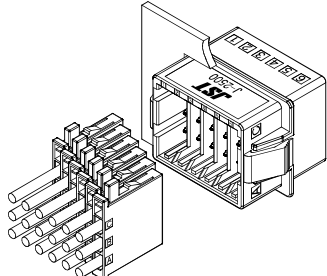
Type		2.5 mm pitch 250 V AC/DC			
		Wire-to-board		Wire-to-wire	
		Top entry type	Side entry type	Free hanging type	Panel mounting type
Center locking type	J2100 Single-row type				
	No. of circuits	3, 4	3, 4		3, 4
	J2100 Dual-row type				
No. of circuits	6, 8, 10, 12, 16, 20	6, 8, 10, 12, 16, 20	16	6, 8, 10, 12, 16, 20	
Side locking type (Thin type)	J2800 Single-row type				
	No. of circuits		4	4	4
Side locking type	J2200 Dual-row type				
	No. of circuits		10		

# JFA CONNECTOR / J2000 SERIES

## J2000 Series product line-up

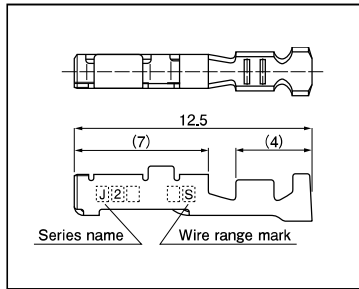
Type		2.5 mm pitch 125 V AC/DC		Type		2.5 mm pitch 250 V AC/DC	
		Wire-to-board Side entry type				Wire-to-board Side entry type	
Module type	J2300 Dual-row type			Hybrid type	J2400 Dual-row type		
	No. of circuits	30				No. of circuits	40

Type		3.5 mm pitch 250 V AC/DC			
		Wire-to-board		Wire-to-wire	
		Top entry type	Side entry type	Free hanging type	Panel mounting type
Module type	J2500 Dual-row type				
	No. of circuits	12, 20		12, 20	

Type		2.5 mm pitch 125 V AC/DC		Type		3.5 mm pitch 250 V AC/DC	
		Panel mounting Screw type				Panel mounting type	
Common, Sensor type	J2300 Dual-row type			Common type	J2500 Triple-row type		
	No. of circuits	Power Input: 2 Power Output: 16 (Common output) Sensor Input/Output: 8				No. of circuits	18

# JFA CONNECTOR / J2000 SERIES

## Receptacle contact



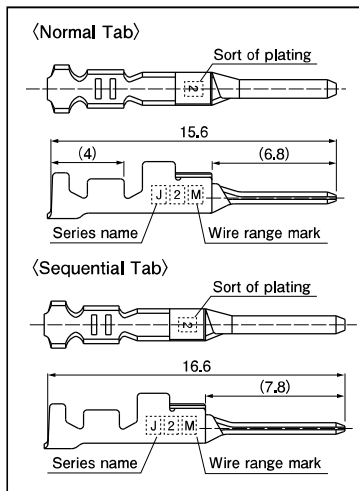
Model No.		Applicable wire		Insulation O.D. (mm)	Q'ty	
Strip contact	Loose piece contact	Nominal	AWG (mm <sup>2</sup> )		Reel	Box (Loose piece)
SJ2F-002(*)-P1.0	—	S	#28~#24 (0.08~0.20)	0.88~1.43	6,000	—
SJ2F-01(*)-P1.0	—	M	#24~#20 (0.20~0.50)	1.11~1.53	6,000	—
SJ2F-21(*)-P1.0	BJ2F-21(*)-P1.0	L	#22~#20 (0.30~0.75)	1.30~1.90	5,000	2,000

### Material and Surface finish, etc.

Copper alloy (superior conductivity), nickel-undercoated, selective gold-plated

- Note: 1. Surface finish (\*): GF...Nickel-undercoated, 0.38 μm selective gold-plated  
GI...Nickel-undercoated, 0.76 μm selective gold-plated  
2. Please note that the above general specifications may differ from the safety standards.

## Tab contact



Model No.		Applicable wire		Insulation O.D. (mm)	Q'ty	
Strip contact	Loose piece contact	Nominal	AWG (mm <sup>2</sup> )		Reel	Box (Loose piece)
Normal	SJ2M-002(*)-M1.0N	—	S #28~#24 (0.08~0.20)	0.88~1.43	5,500	—
	SJ2M-01(*)-M1.0N	—	M #24~#20 (0.20~0.50)	1.11~1.53	5,500	—
	SJ2M-21(*)-M1.0N	BJ2M-21(*)-M1.0N	L #22~#20 (0.30~0.75)	1.30~1.90	5,000	2,000
Sequential	SJ2M-01(*)-M1.0S	—	M #24~#20 (0.20~0.50)	1.11~1.53	5,500	—
	SJ2M-21(*)-M1.0S	BJ2M-21(*)-M1.0S	L #22~#20 (0.30~0.75)	1.30~1.90	5,000	2,000

### Material and Surface finish, etc.

Copper alloy (superior conductivity), nickel-undercoated, selective gold-plated

- Note: 1. Surface finish (\*): GF...Nickel-undercoated, 0.38 μm selective gold-plated  
GI...Nickel-undercoated, 0.76 μm selective gold-plated  
2. Please note that the above general specifications may differ from the safety standards.

## Crimping machine, Applicator

Strip contact Model No.	Crimping machine	Applicator	Crimp applicator with dies	Hand tool
SJ2F-002(*)-P1.0 SJ2M-002(*)-M1.0N	AP-K2N	MKS-L	APLMK SJ2F/M002-10	YRS-8851 YRK-8852
SJ2F-01(*)-P1.0 SJ2M-01(*)-M1.0N SJ2M-01(*)-M1.0S	AP-K2N	MKS-L	APLMK SJ2F/M01-10	YRS-8861 YRK-8863
SJ2F-21(*)-P1.0 SJ2M-21(*)-M1.0N SJ2M-21(*)-M1.0S	AP-K2N	MKS-L	APLMK SJ2F/M21-10	YRK-1120

Note: 1. Contact JST for fully automatic crimping applicator.

Loose piece contact	Hand tool
BJ2F-21(*)-P1.0 BJ2M-21(*)-M1.0N BJ2M-21(*)-M1.0S	YRF-1120

- For details on the YRK series of hand tools that use the strip contacts, refer to the list of "Crimping Machines and Tools" on our website (Technical documents of Product information page).

- Extraction tool for J2000 series: EJ-JFAJ2N

Note: 2. Surface finish (\*):  
GF...Nickel-undercoated, 0.38 μm selective gold-plated  
GI...Nickel-undercoated, 0.76 μm selective gold-plated

## Recognition mark

### Plating of the contact

Each contact has a marking on its side or top side so that the type or thickness of the plating is recognized.

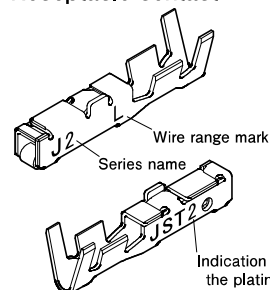
- 2 ... gold-plated 0.38 μm thickness
- 3 ... gold-plated 0.76 μm thickness

### Common marking on the contact and its application tools

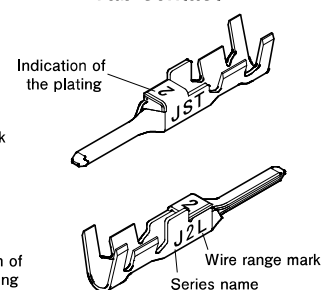
In order to avoid incorrect combination of the hand crimp tools or extraction tools and the contacts, the series name (for example J2) and wire range mark (S, M, L) are shown on both the tools and the contacts.

- J2 S...AWG #28 to AWG #24
- M...AWG #24 to AWG #20
- L...AWG #22 to AWG #20

### Receptacle contact



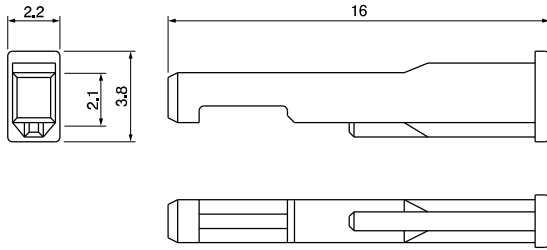
### Tab contact



# JFA CONNECTOR / J2000 SERIES

## Keying plug

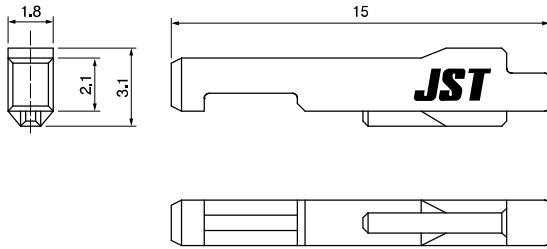
〈Normal product〉



\*Cannot be used with a protector at the same time.

Model No.	Q'ty/box
J2KP-VY	500
Material and Surface finish, etc.	
PBT (Glass-filled), UL94V-0, yellow	

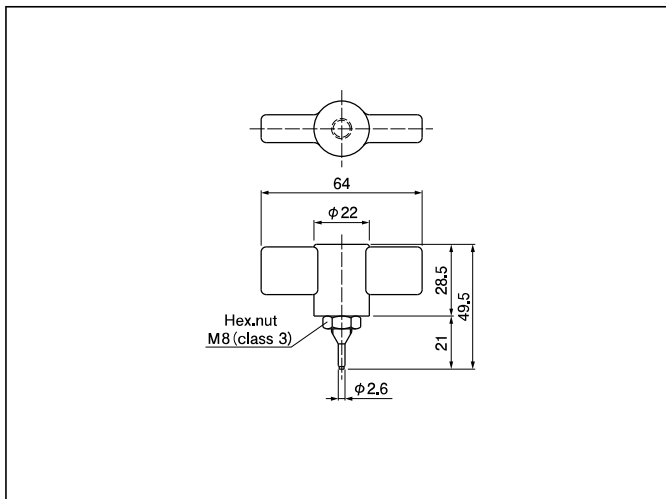
〈Protector compatible product〉



Model No.	Q'ty/box
J2KP-VY-A	500
Material and Surface finish, etc.	
PBT (Glass-filled), UL94V-0, yellow	

Note: Not UL listed.

## Tab contact cutting jig



Model No.
CT-JFAJ2

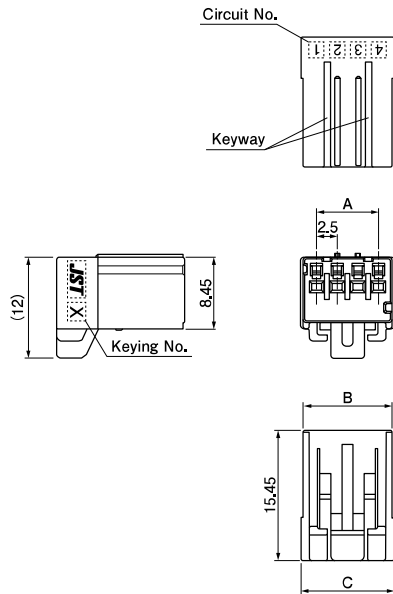
Note: Not UL/TÜV listed.

## Assembly layout

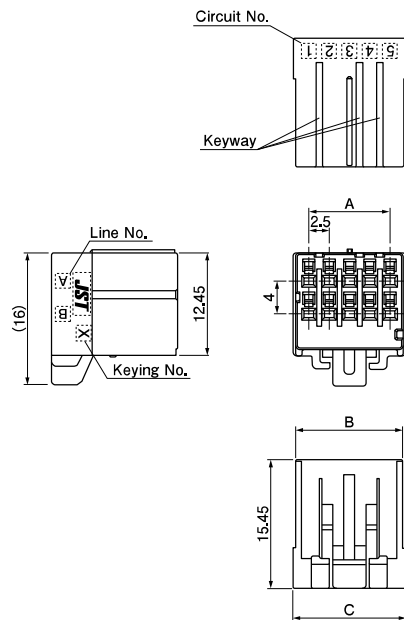
Single-row type	Wire-to-board	<p>〈Top entry type〉</p>	<p>〈Side entry type〉</p>
	Wire-to-wire	<p>〈Panel mounting type〉</p>	
Dual-row type	Wire-to-board	<p>〈Top entry type〉</p>	<p>〈Side entry type〉</p>
	Wire-to-wire	<p>〈Free hanging type〉</p>	<p>〈Panel mounting type〉</p>

## Receptacle housing (Long keying type)

### <Single-row type>



### <Dual-row type>



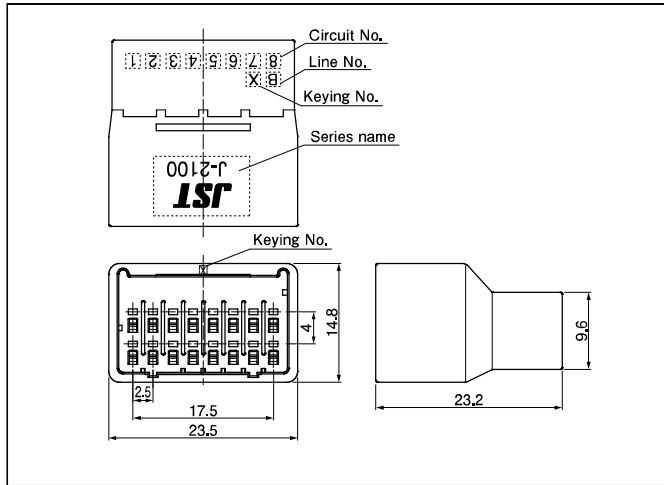
Type	No. of circuits	Keying	Model No.	Dimensions (mm)			Q'ty/bag
				A	B	C	
Single-row type	3	X	J21SF-03V-KX-L	5.0	8.3	8.9	400
		Y	J21SF-03V-KY-L	5.0	8.3	8.9	400
	4	X	J21SF-04V-KX-L	7.5	10.8	11.4	400
		Y	J21SF-04V-KY-L	7.5	10.8	11.4	400
Dual-row type	6	X	J21DF-06V-KX-L	5.0	8.3	8.9	300
		Y	J21DF-06V-KY-L	5.0	8.3	8.9	300
	8	X	J21DF-08V-KX-L	7.5	10.8	11.4	300
		Y	J21DF-08V-KY-L	7.5	10.8	11.4	300
	10	X	J21DF-10V-KX-L	10.0	13.3	13.9	200
		Y	J21DF-10V-KY-L	10.0	13.3	13.9	200
	12	X	J21DF-12V-KX-L	12.5	15.8	16.4	200
		Y	J21DF-12V-KY-L	12.5	15.8	16.4	200
	16	X	J21DF-16V-KX-L	17.5	20.8	21.4	200
		Y	J21DF-16V-KY-L	17.5	20.8	21.4	200
	20	X	J21DF-20V-KX-L	22.5	25.8	26.4	100
		Y	J21DF-20V-KY-L	22.5	25.8	26.4	100

Material and Surface finish, etc.

PBT (Glass-filled), UL94V-0, black

# J2000 SERIES / J2100

## Tab housing (Free hanging type)



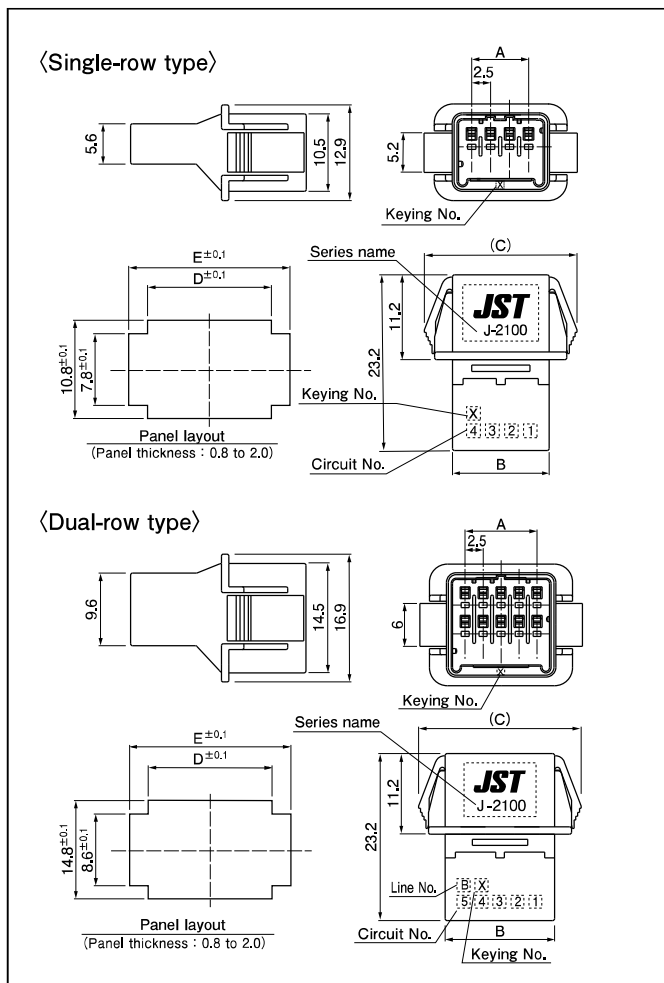
No. of circuits	Keying	Model No.	Q'ty/bag
16	X	J21DFM-16V-KX	-
	Y	J21DFM-16V-KY	-

Material and Surface finish, etc.

PBT (Glass-filled), UL94V-0, black

Note: Not UL listed.

## Tab housing (Panel mounting type)



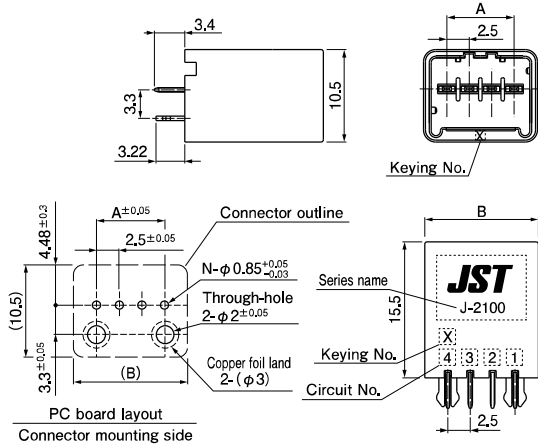
Type	No. of circuits	Keying	Model No.	Dimensions (mm)					Q'ty/bag
				A	B	C	D	E	
Single-row type	3	X	J21SPM-03V-KX	5.0	10.2	17.6	10.5	15.2	400
		Y	J21SPM-03V-KY	5.0	10.2	17.6	10.5	15.2	400
	4	X	J21SPM-04V-KX	7.5	12.7	20.1	13.0	17.7	400
		Y	J21SPM-04V-KY	7.5	12.7	20.1	13.0	17.7	400
Dual-row type	6	X	J21DPM-06V-KX	5.0	10.2	17.6	10.5	15.2	300
		Y	J21DPM-06V-KY	5.0	10.2	17.6	10.5	15.2	300
	8	X	J21DPM-08V-KX	7.5	12.7	20.1	13.0	17.7	200
		Y	J21DPM-08V-KY	7.5	12.7	20.1	13.0	17.7	200
	10	X	J21DPM-10V-KX	10.0	15.2	22.6	15.5	20.2	200
		Y	J21DPM-10V-KY	10.0	15.2	22.6	15.5	20.2	200
	12	X	J21DPM-12V-KX	12.5	17.7	25.1	18.0	22.2	200
		Y	J21DPM-12V-KY	12.5	17.7	25.1	18.0	22.2	200
	16	X	J21DPM-16V-KX	17.5	22.7	30.1	23.0	27.7	200
		Y	J21DPM-16V-KY	17.5	22.7	30.1	23.0	27.7	200
20	X	J21DPM-20V-KX	22.5	27.7	35.1	28.0	32.7	150	
	Y	J21DPM-20V-KY	22.5	27.7	35.1	28.0	32.7	150	

Material and Surface finish, etc.

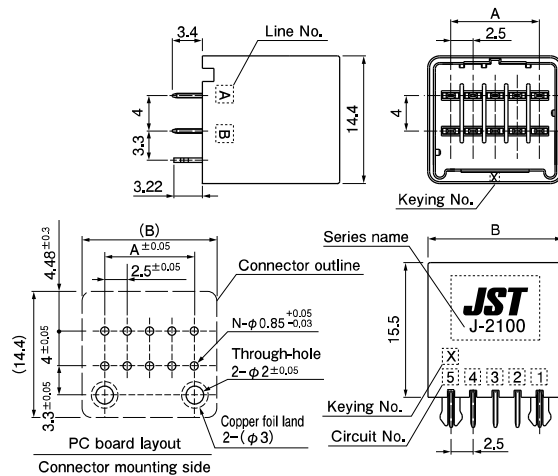
PBT (Glass-filled), UL94V-0, black

## Header (Top entry type)

(Single-row type)



(Dual-row type)



Type	No. of circuits	Keying	Model No.	Dimensions (mm)		Q'ty/box
				A	B	
Single-row type	3	X	B03B-J21SK-GGXR	5.0	10.2	378
		Y	B03B-J21SK-GGYR	5.0	10.2	378
	4	X	B04B-J21SK-GGXR	7.5	12.7	306
		Y	B04B-J21SK-GGYR	7.5	12.7	306
Dual-row type	6	X	B06B-J21DK-GGXR	5.0	10.2	252
		Y	B06B-J21DK-GGYR	5.0	10.2	252
	8	X	B08B-J21DK-GGXR	7.5	12.7	204
		Y	B08B-J21DK-GGYR	7.5	12.7	204
	10	X	B10B-J21DK-GGXR	10.0	15.2	168
		Y	B10B-J21DK-GGYR	10.0	15.2	168
	12	X	B12B-J21DK-GGXR	12.5	17.7	144
		Y	B12B-J21DK-GGYR	12.5	17.7	144
	16	X	B16B-J21DK-GGXR	17.5	22.7	108
		Y	B16B-J21DK-GGYR	17.5	22.7	108
20	X	B20B-J21DK-GGXR	22.5	27.7	84	
	Y	B20B-J21DK-GGYR	22.5	27.7	84	

Material and Surface finish, etc.

Tab contact : Copper alloy, nickel-undercoated, selective gold-plated  
Housing : PBT (Glass-filled), UL94V-0, black  
Reinforcement : Copper alloy, nickel-undercoated, selective gold-plated

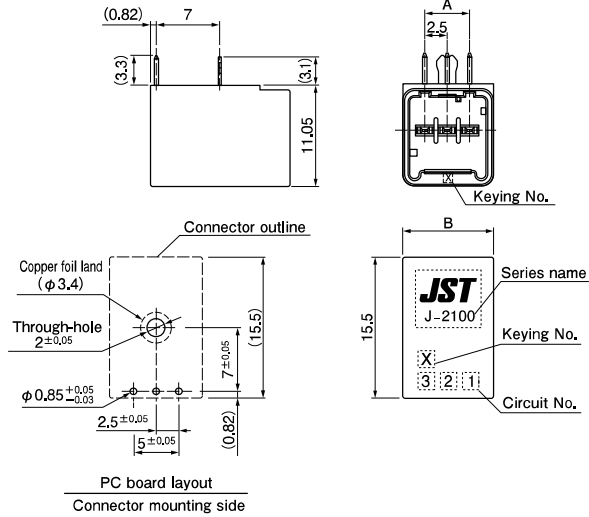
This product displays (LF)(AU) on a label.

Note: Contact JST for 0.76 μm gold-plated products.

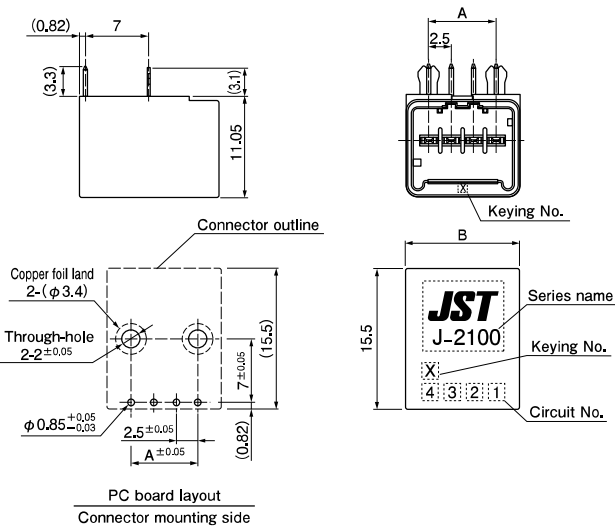
## Header (Side entry type)

### (Single-row type)

- 3 circuits



- 4 circuits



No. of circuits	Keying	Model No.	Dimensions (mm)		Q'ty./box
			A	B	
3	X	S03B-J21SK-GGXR	5.0	10.2	294
	Y	S03B-J21SK-GGYR	5.0	10.2	294
4	X	S04B-J21SK-GGXR	7.5	12.7	238
	Y	S04B-J21SK-GGYR	7.5	12.7	238

Material and Surface finish, etc.

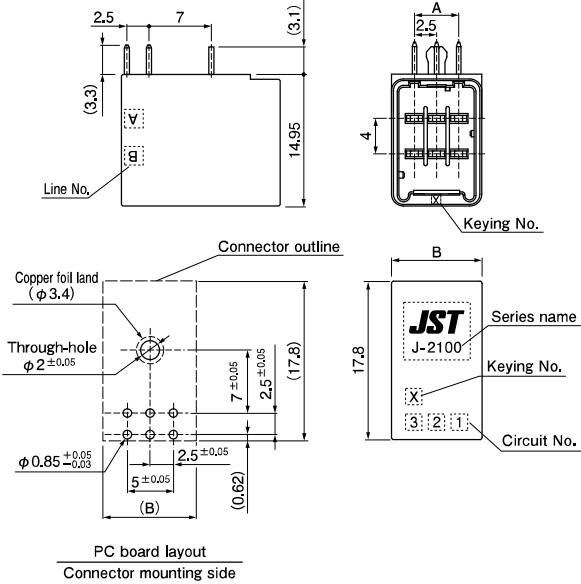
Tab contact : Copper alloy, nickel-undercoated, selective gold-plated  
Housing : PBT (Glass-filled), UL94V-0, black  
Reinforcement : Copper alloy, nickel-undercoated, selective gold-plated

This product displays (LF)(AU) on a label.  
Note: Contact JST for 0.76 μm gold-plated products.

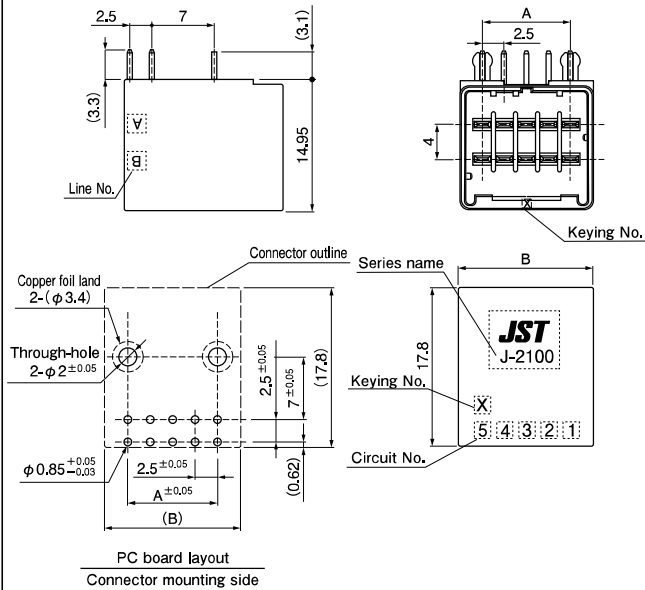
## Header (Side entry type)

### <Dual-row type>

- 6 circuits



- 8, 10, 12, 16, 20 circuits



No. of circuits	Keying	Model No.	Dimensions (mm)		Qty/box
			A	B	
6	X	S06B-J21DK-GGX	5.0	10.2	252
	Y	S06B-J21DK-GGY	5.0	10.2	252
8	X	S08B-J21DK-GGX	7.5	12.7	204
	Y	S08B-J21DK-GGY	7.5	12.7	204
10	X	S10B-J21DK-GGX	10.0	15.2	168
	Y	S10B-J21DK-GGY	10.0	15.2	168
12	X	S12B-J21DK-GGX	12.5	17.7	144
	Y	S12B-J21DK-GGY	12.5	17.7	144
16	X	S16B-J21DK-GGX	17.5	22.7	108
	Y	S16B-J21DK-GGY	17.5	22.7	108
20	X	S20B-J21DK-GGX	22.5	27.7	84
	Y	S20B-J21DK-GGY	22.5	27.7	84

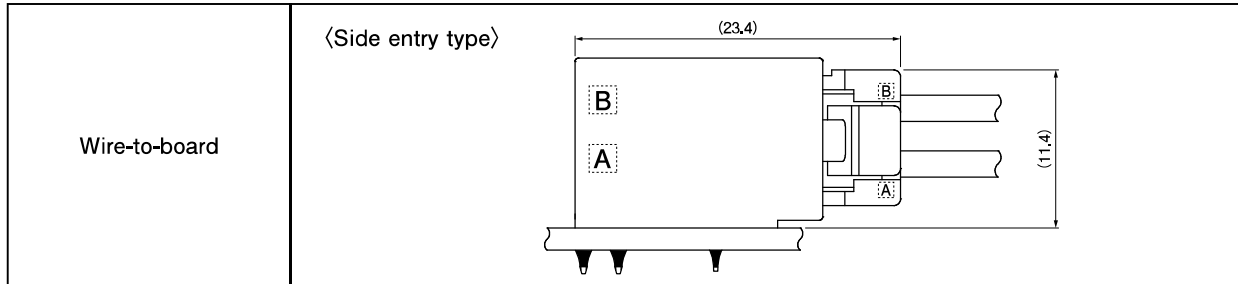
### Material and Surface finish, etc.

Tab contact : Copper alloy, nickel-undercoated, selective gold-plated  
Housing : PBT (Glass-filled), UL94V-0, black  
Reinforcement : Copper alloy, nickel-undercoated, selective gold-plated

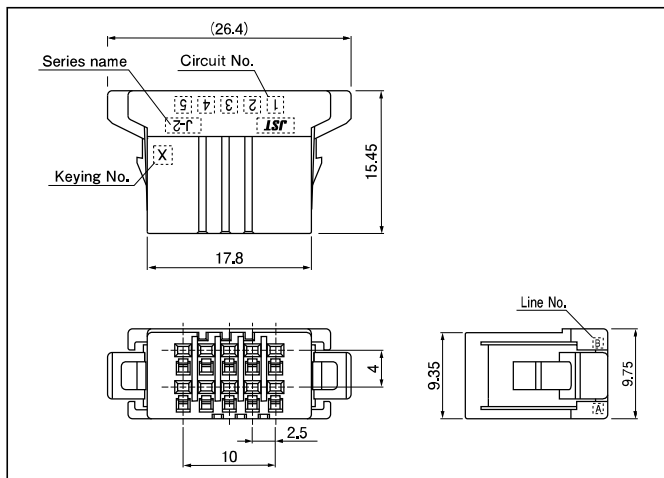
This product displays (LF)(AU) on a label.

Note: Contact JST for 0.76 μm gold-plated products.

## Assembly layout



## Receptacle housing

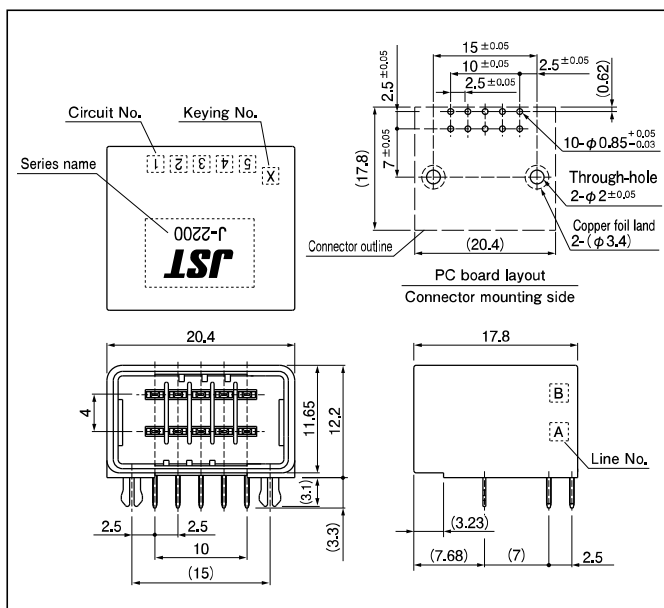


No. of circuits	Keying	Model No.	Q'ty/bag
10	X	J22DF-10V-KX	250
	Y	J22DF-10V-KY	250

Material and Surface finish, etc.

PBT (Glass-filled), UL94V-0, black

## Header (Side entry type)



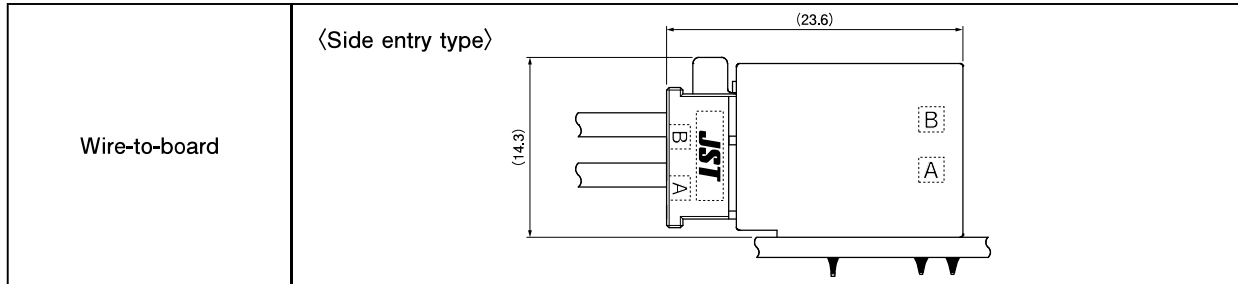
No. of circuits	Keying	Model No.	Q'ty/box
10	X	S10B-J22DK-GGXR	120
	Y	S10B-J22DK-GGYR	120

Material and Surface finish, etc.

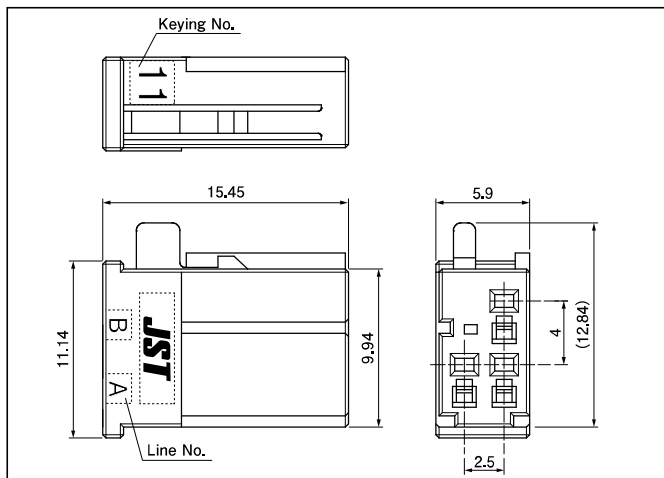
Tab contact : Copper alloy, nickel-undercoated, selective gold-plated  
Housing : PBT (Glass-filled), UL94V-0, black  
Reinforcement : Copper alloy, nickel-undercoated, selective gold-plated

This product displays (LF)(AU) on a label.  
Note: Contact JST for 0.76 μm gold-plated products.

## Assembly layout



## Receptacle housing



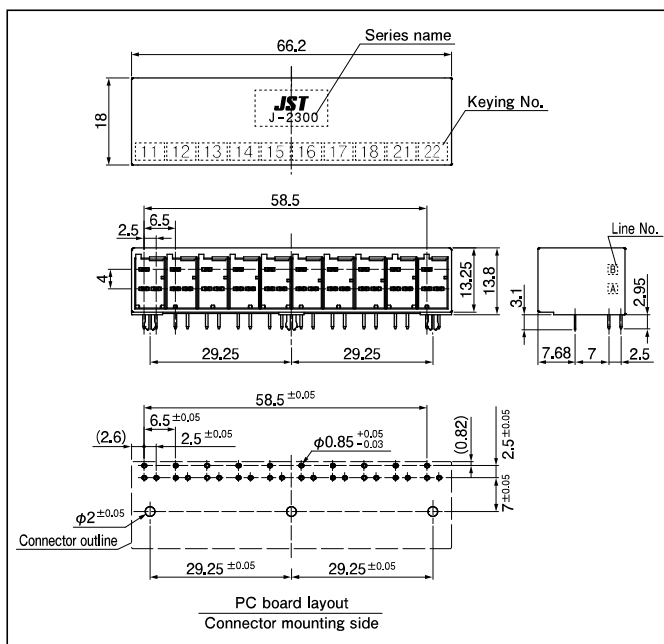
No. of circuits	Keying	Model No.	Q'ty/box
3	S11	J23DF-03V-KS11	784
	S12	J23DF-03V-KS12	
	S13	J23DF-03V-KS13	
	S14	J23DF-03V-KS14	
	S15	J23DF-03V-KS15	
	S16	J23DF-03V-KS16	
	S17	J23DF-03V-KS17	
	S18	J23DF-03V-KS18	
	S21	J23DF-03V-KS21	
	S22	J23DF-03V-KS22	

Material and Surface finish, etc.

PBT (Glass-filled), UL94V-0, black

Note: Not UL listed.

## Header (Side entry type)



No. of circuits	Keying	Model No.	Q'ty/box
30	S11 to S22	S30B-J23DK-GG NR	-

Material and Surface finish, etc.

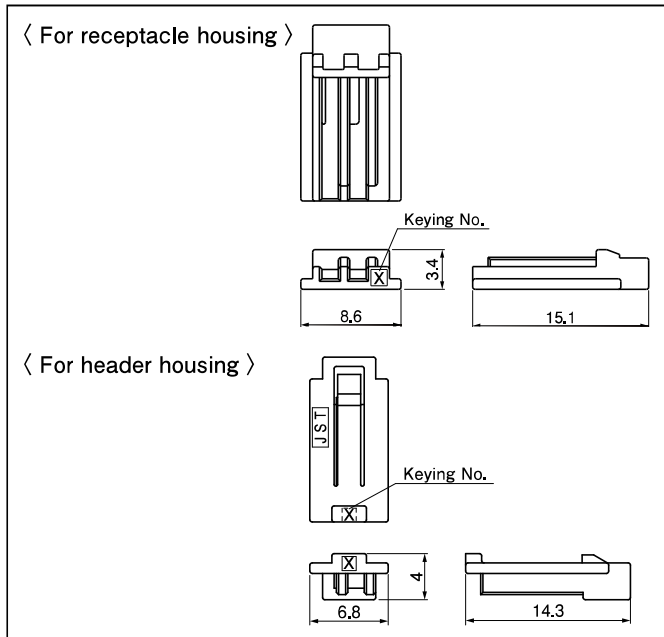
Tab contact : Copper alloy, nickel-undercoated, selective gold-plated  
 Housing : PBT (Glass-filled), UL94V-0, black  
 Reinforcement : Copper alloy, nickel-undercoated, selective gold-plated

This product displays (LF)(AU) on a label.

Note: 1. Contact JST for 0.76  $\mu$ m gold-plated products.  
 2. Not UL listed.

# J2000 SERIES/ KEYING BLOCK

## Keying block



	Keying	Model No.	Q'ty/bag
For receptacle housing	X	J2KF-VR-X	500
	Y	J2KF-VY-Y	500
	Z	J2KF-VE-Z	500
For header housing	X	J2KM-VR-X	500
	Y	J2KM-VY-Y	500
	Z	J2KM-VE-Z	500

### Material and Surface finish, etc.

PBT (Glass-filled), UL94V-0,  
X-Keying (red), Y-Keying (yellow), Z-Keying (blue)

Note: Not UL/TÜV listed.

## Features

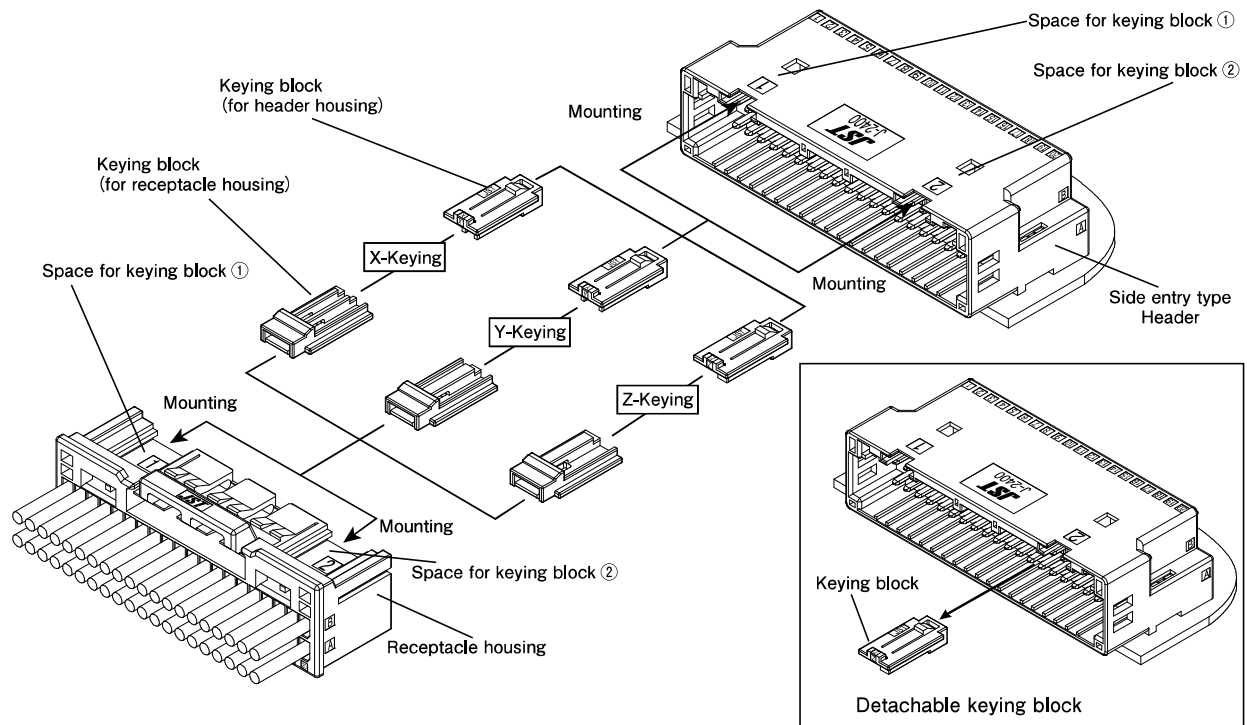
Mis-mating prevention keying block can be freely mounted to keying block space.

- 9 types of keying can be provided by mounting 3 types of keying block to 2 keying block spaces.
- Since a color varies on each type of keying, the kind of keying is easy to recognize.

### Variation of keying

	X-Keying (red)	Y-Keying (yellow)	Z-Keying (blue)
For header housing			
For receptacle housing			

## How to use keying block (When using J2400)

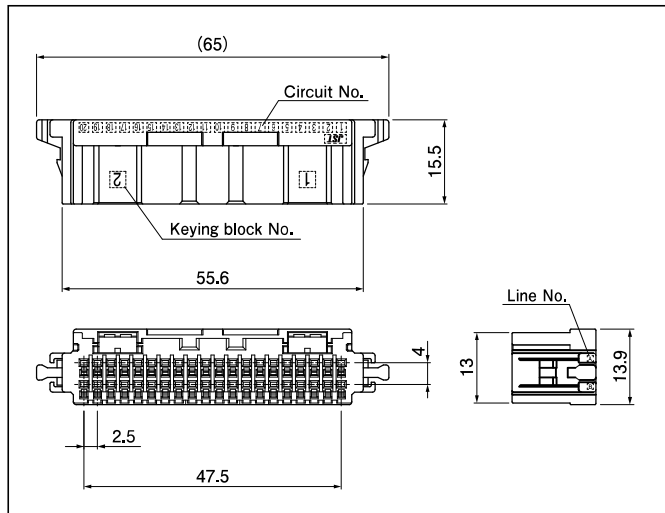


# J200 SERIES/ J2400 (FOR KEYING BLOCK)

## Assembly layout

	When mating with a receptacle housing side locking type	When mating with a receptacle housing center locking type
Wire-to-board		

## Receptacle housing (Side locking type)



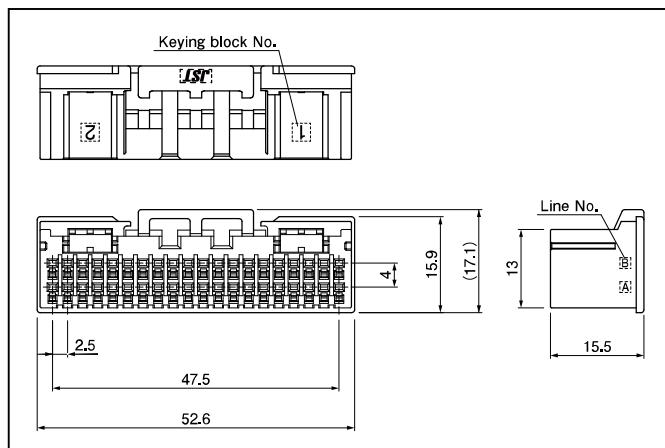
No. of circuits	Keying	Model No.	Q'ty/bag
40	-	J24DFS-40V-KE	100

Material and Surface finish, etc.

PBT (Glass-filled), UL94V-0, black

Note: Not UL/TÜV listed.

## Receptacle housing (Center locking type)



No. of circuits	Keying	Model No.	Q'ty/bag
40	-	J24DFC-40V-KE	100

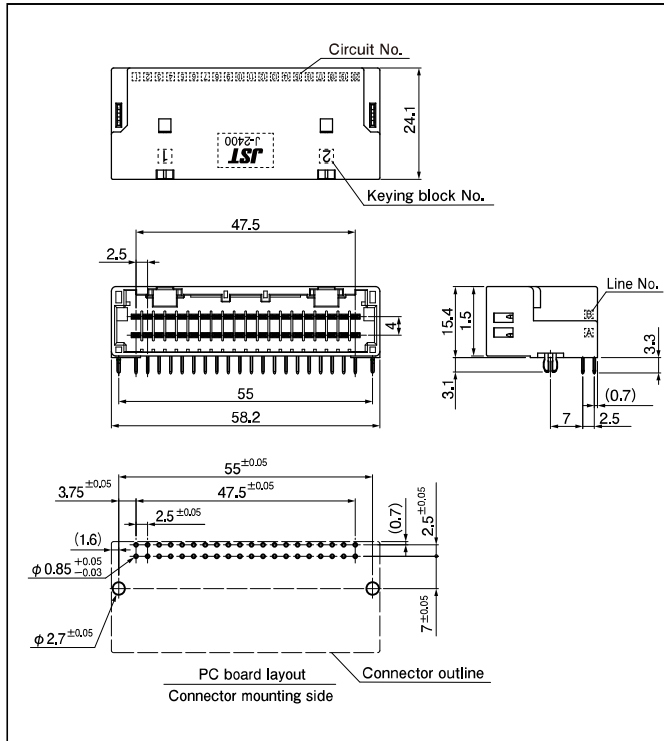
Material and Surface finish, etc.

PBT (Glass-filled), UL94V-0, black

Note: Not UL/TÜV listed.

# J200 SERIES/ J2400 (FOR KEYING BLOCK)

## Header Side entry type



No. of circuits	Keying	Model No.	Q'ty/box
40	—	S40B-J24DK-GGER	135

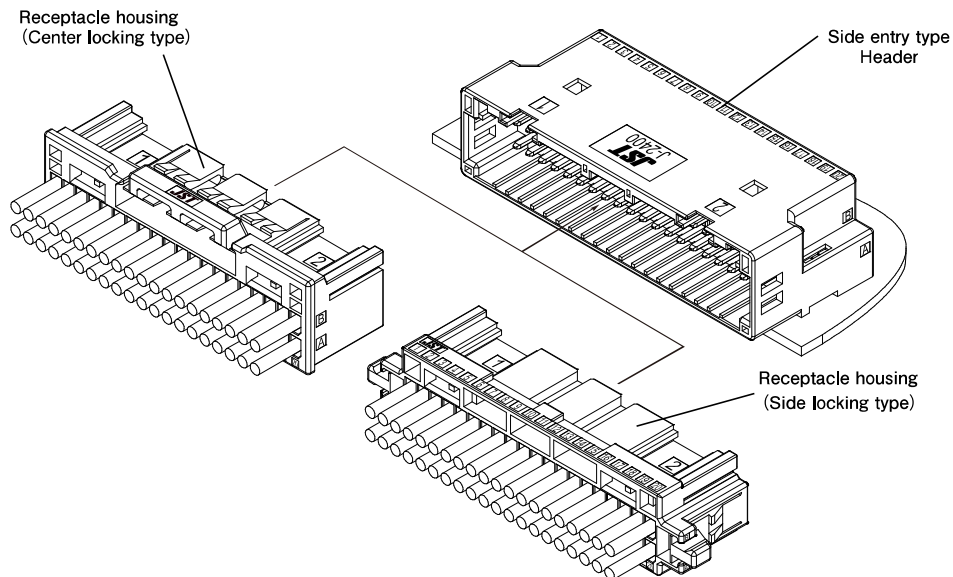
### Material and Surface finish, etc.

Tab contact : Copper alloy, nickel-undercoated, selective gold-plated  
Housing : PBT (Glass-filled), UL94V-0, black  
Reinforcement : Copper alloy, nickel-undercoated, selective gold-plated

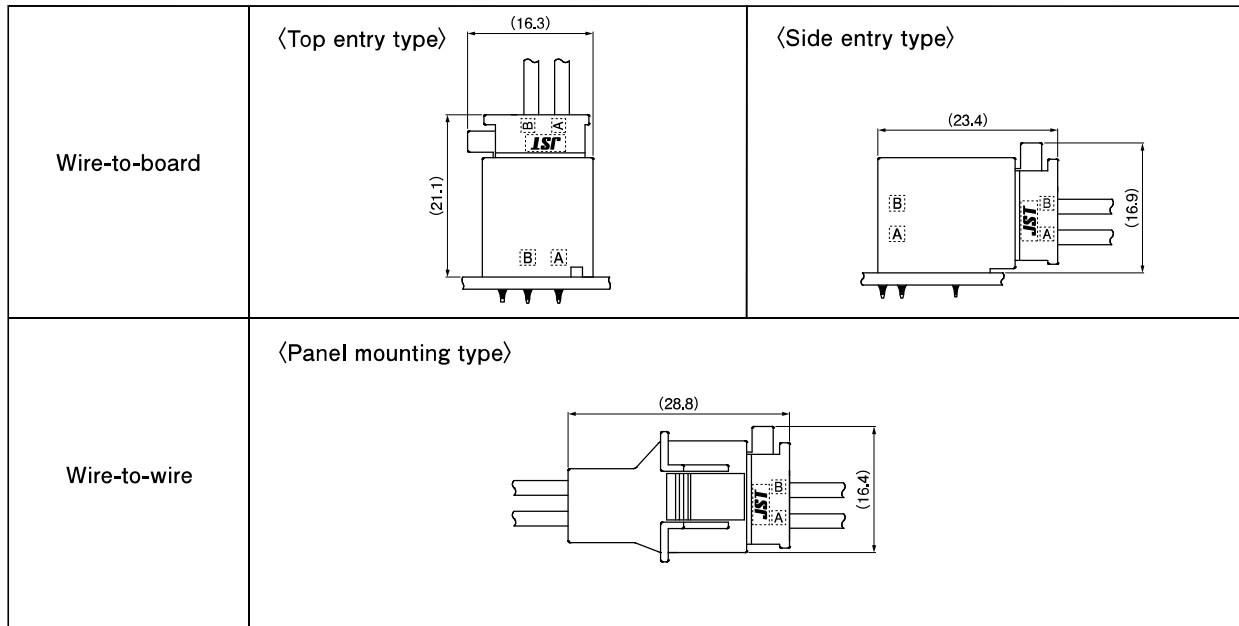
This product displays (LF)(AU) on a label.  
Note: 1. Contact JST for 0.76 μm gold-plated products.  
2. Not UL/TÜV listed.

## Mating combinations

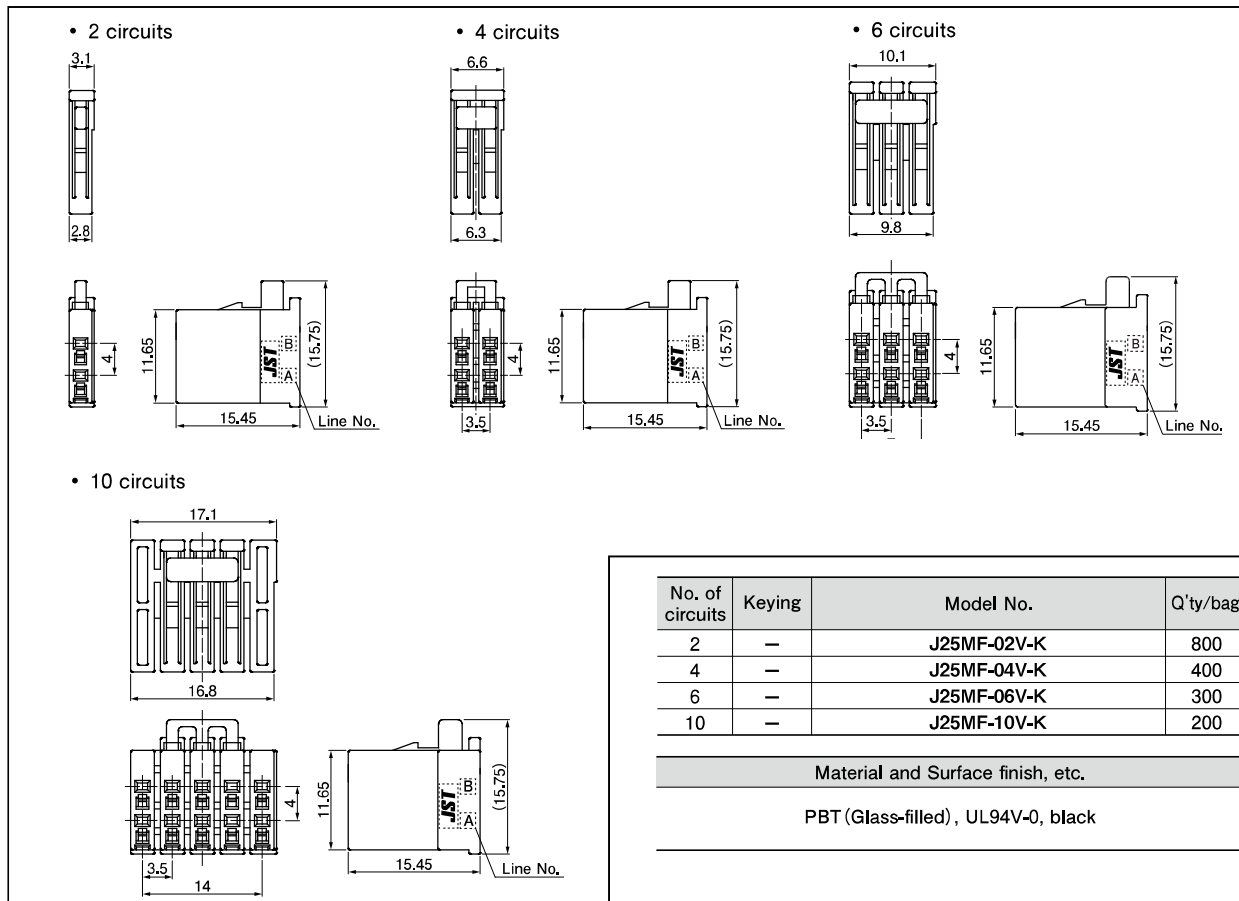
The side entry type header can be mated with a receptacle housing center locking type or side locking type.



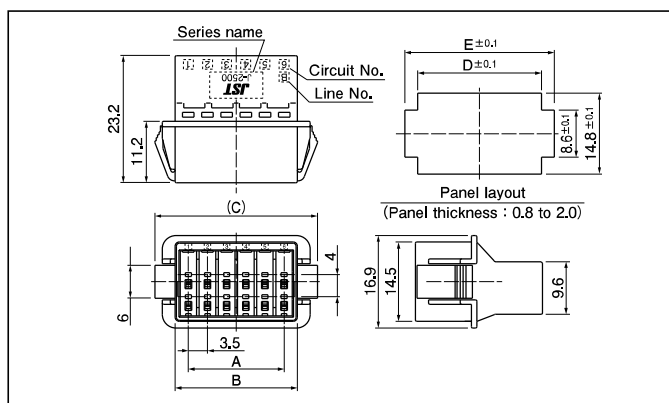
## Assembly layout



## Receptacle housing



## Tab housing (Panel mounting type)

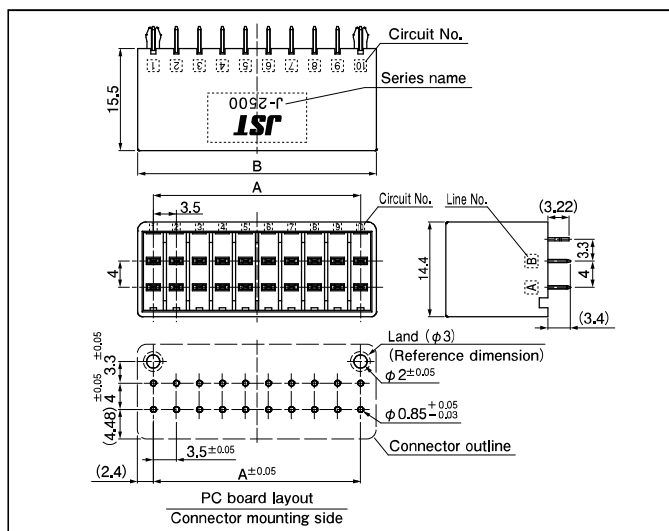


No. of circuits	Keying	Model No.	Dimensions (mm)					Q'ty
			A	B	C	D	E	
12	—	J25DPM-12V-K	17.5	22.3	29.7	22.6	27.3	200/bag
20	—	J25DPM-20V-K	31.5	36.3	43.7	36.6	41.3	132/box

Material and Surface finish, etc.

PBT (Glass-filled), UL94V-0, black

## Header (Top entry type)



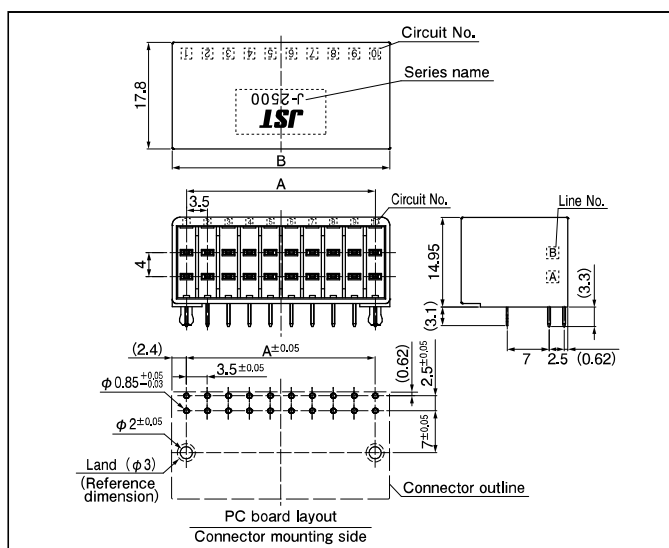
No. of circuits	Keying	Model No.	Dimensions (mm)		Q'ty/box
			A	B	
12	—	B12B-J25DK-GGR	17.5	22.3	108
20	—	B20B-J25DK-GGR	31.5	36.3	72

Material and Surface finish, etc.

Tab contact : Copper alloy, nickel-undercoated, selective gold-plated  
Housing : PBT (Glass-filled), UL94V-0, black  
Reinforcement : Copper alloy, nickel-undercoated, selective gold-plated

This product displays (LF)(AU) on a label.  
Note: Contact JST for 0.76 μm gold-plated products.

## Header (Side entry type)



No. of circuits	Keying	Model No.	Dimensions (mm)		Q'ty/box
			A	B	
12	—	S12B-J25DK-GGR	17.5	22.3	108
20	—	S20B-J25DK-GGR	31.5	36.3	72

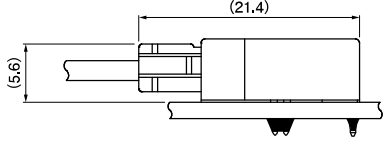
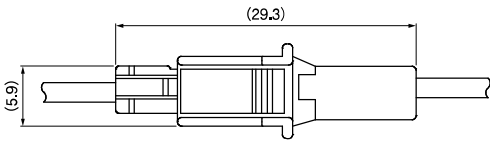
Material and Surface finish, etc.

Tab contact : Copper alloy, nickel-undercoated, selective gold-plated  
Housing : PBT (Glass-filled), UL94V-0, black  
Reinforcement : Copper alloy, nickel-undercoated, selective gold-plated

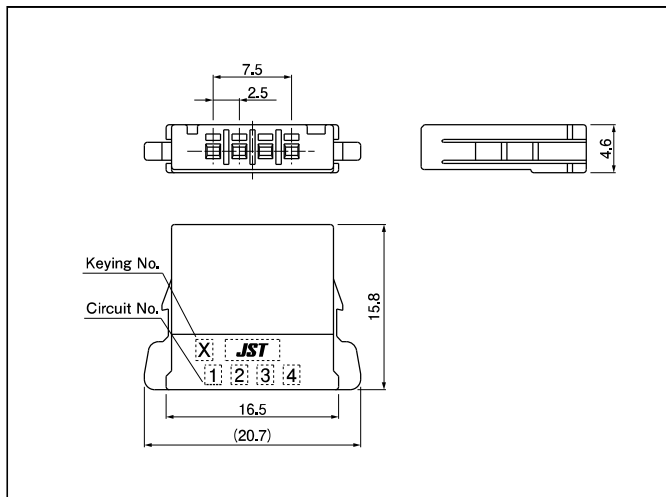
This product displays (LF)(AU) on a label.  
Note: Contact JST for 0.76 μm gold-plated products.

# J2000 SERIES / J2800

## Assembly layout

Wire-to-board	<p>〈Side entry type〉</p> 
Wire-to-wire	<p>〈Free hanging type/Panel mounting type〉</p> 

## Receptacle housing



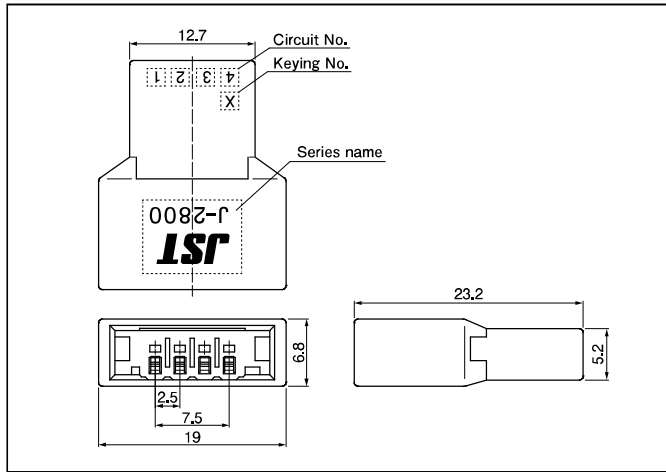
No. of circuits	Keying	Model No.	Q'ty/box
4	X	J28SF-04V-KX	1000

Material and Surface finish, etc.

PBT (Glass-filled), UL94V-0, black

# J2000 SERIES/ J2800

## Tab housing (Free hanging type)

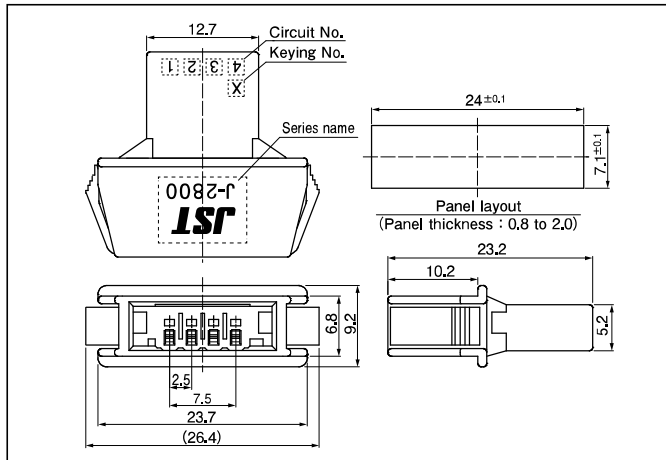


No. of circuits	Keying	Model No.	Q'ty/bag
4	X	J28SFM-04V-KX	500

Material and Surface finish, etc.

PBT (Glass-filled), UL94V-0, black

## Tab housing (Panel mounting type)



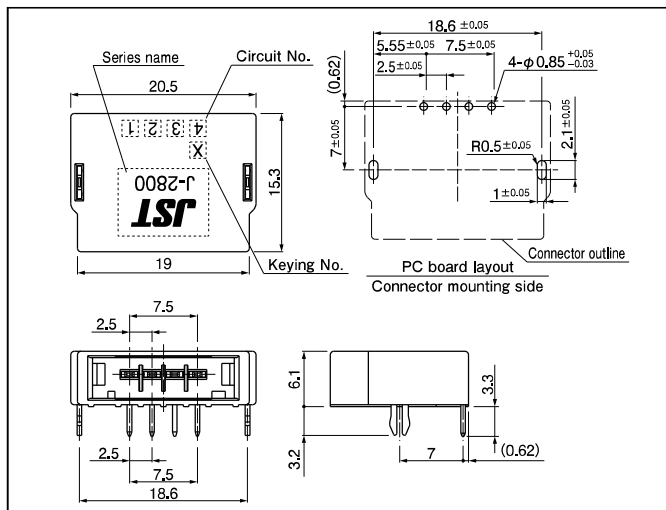
No. of circuits	Keying	Model No.	Q'ty/box
4	X	J28SPM-04V-KX	180

Material and Surface finish, etc.

PBT (Glass-filled), UL94V-0, black

Note: Not UL listed.

## Header (Side entry type)



No. of circuits	Keying	Model No.	Q'ty/box
4	X	S04B-J28SK-GGXQ1R	280

Material and Surface finish, etc.

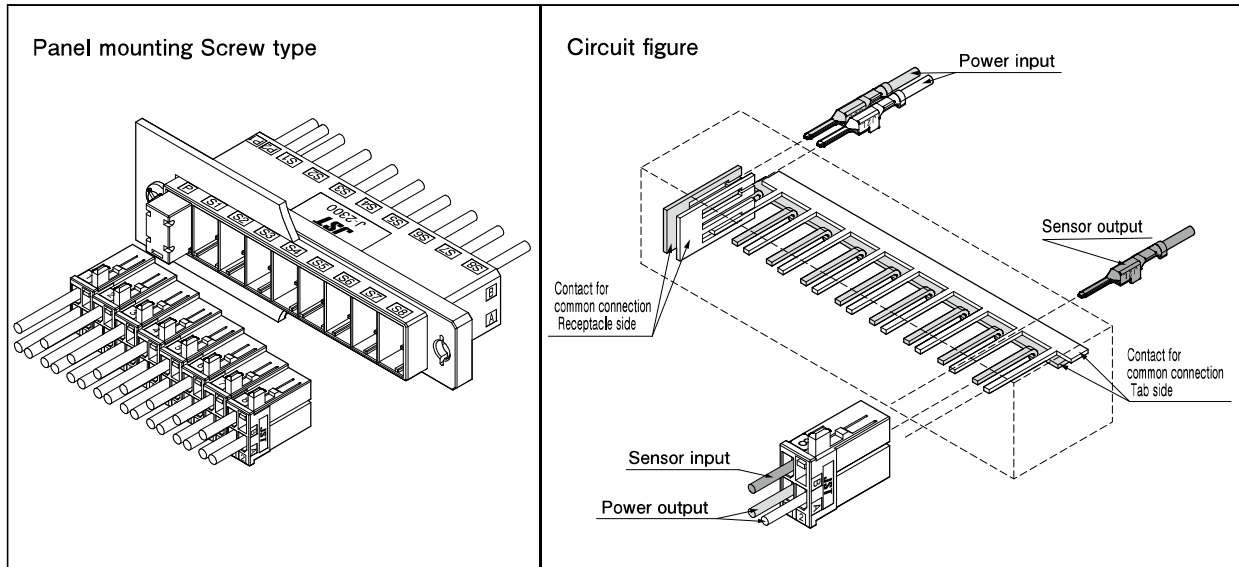
Tab contact : Copper alloy, nickel-undercoated, selective gold-plated  
Housing : PBT (Glass-filled), UL94V-0, black  
Reinforcement : Copper alloy, tin-plated

This product displays (LF) on a label.  
Note: 1. 3rd and 4th pins are sequential pins.  
2. Contact JST for 0.76 μm gold-plated products.



## J2000 SERIES / COMMON, SENSOR TYPE / J2300

### Common, Sensor type (J2300)



- Rationalization of wiring is realized by the common connection inside the connector.

### ■ Specification

- Current rating: AC/DC  
(Total input current per contact for common connection tab side)

Current unit : A

Wire size (AWG)				
#20	#22	#24	#26	#28
6.5	5.5	4.0	3.0	2.0

- Voltage rating: 125 V AC/DC
- Temperature range: -55°C to +105°C  
(including temperature rise in applying electrical current)
- Applicable wire range: AWG #28 to AWG #20

\*Please note that the above general specifications may differ from the safety standards.

\*In using the products, refer to "Handling Precautions for Terminals and Connectors" described on our website (Technical documents of Product information page).

\*RoHS2 compliance

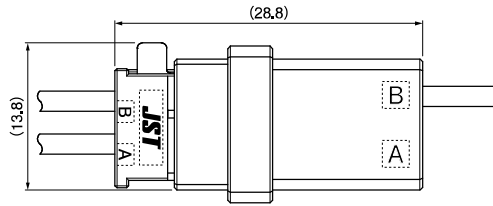
\*Dimensional unit: mm

\*Contact JST for details.

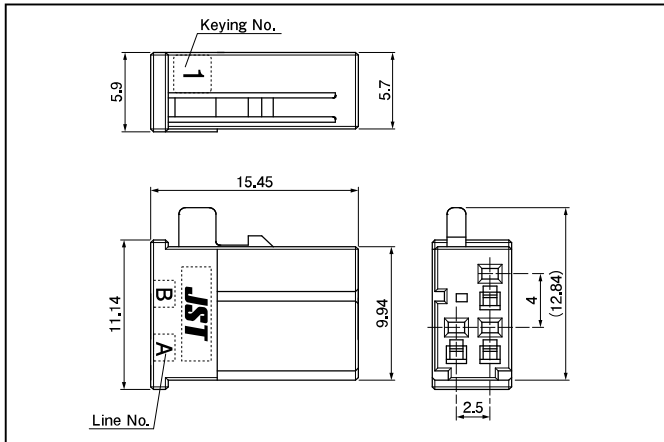
# J2000 SERIES/COMMON, SENSOR TYPE/ J2300

## Assembly layout

〈 Panel mounting Screw type〉



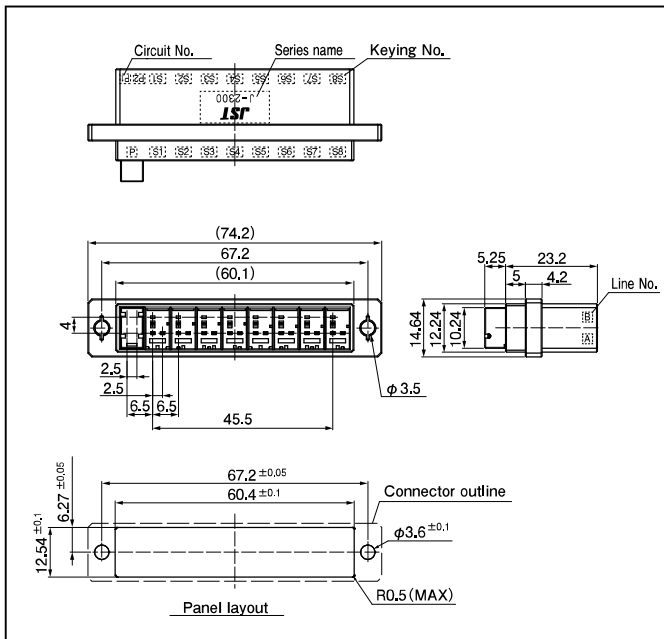
## Receptacle housing



No. of circuits	Keying	Model No.	Q'ty/box
3	S1	J23CF-03V-KS1	784
	S2	J23CF-03V-KS2	
	S3	J23CF-03V-KS3	
	S4	J23CF-03V-KS4	
	S5	J23CF-03V-KS5	
	S6	J23CF-03V-KS6	
	S7	J23CF-03V-KS7	
	S8	J23CF-03V-KS8	

Material and Surface finish, etc.  
PBT (Glass-filled), UL94V-0, black

## Tab housing Assembly



Circuit	No. of circuits	Keying	Model No.	Q'ty/box
Power input	2	S1 to S8	P28B-J23DK-GG NR	64
Power output	16 (Common output)			
Sensor I/O	8			

Material and Surface finish, etc.

Tab contact : Copper alloy, nickel-undercoated, selective gold-plated  
Housing : PBT (Glass-filled), UL94V-0, black

Note: 1. Contact JST for 0.76 μm gold-plated products.  
2. Refer to the top page of Common type (J2300) for circuit figure.

# J2000 SERIES/COMMON TYPE/ J2500

## Dual-row Common type (J2500)

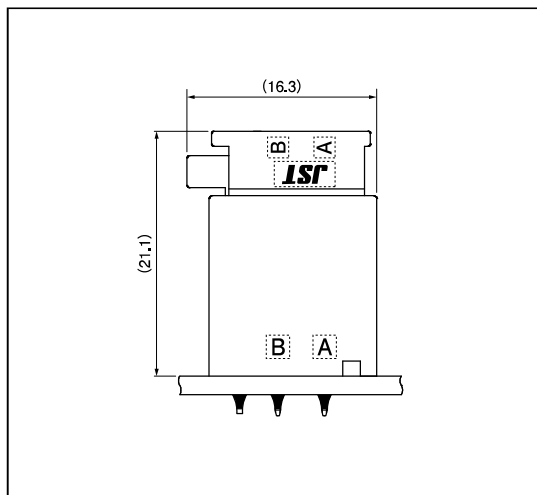
Current unit : A

Receptacle side	Tab side	Appearance	Circuit figure	Current rating : AC/DC						
				Wire size (AWG)						
				No. of circuits	Note	# 20	# 22	# 24	# 26	# 28
Receptacle housing assembly with common connection	Header			12	3.6	3.6	3.1	2.4	2.0	1.6
				20	2.9	2.9	2.5	2.1	1.7	1.3
	Tab housing			12	3.6	3.6	3.1	2.4	2.0	1.6
				20	2.9	2.9	2.5	2.1	1.7	1.3

Note: Use only receptacle housing with common connection.

- Rationalization of wiring is realized by the common connection inside the connector.

## Assembly layout



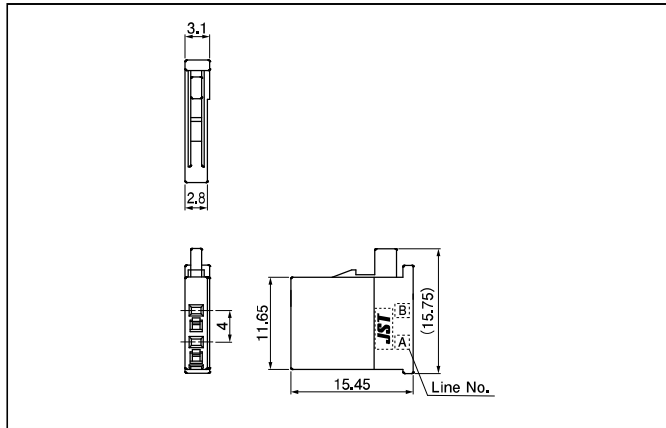
\*When mating with top entry type header

## Specifications

- Current rating : Refer to the above table.
- Voltage rating : 250 V AC/DC
- Temperature range: -55°C to +105°C  
(including temperature rise in applying electrical current)
- Applicable wire range : AWG #28 to AWG #20
- \* Please note that the above general specifications may differ from the safety standards.
- \* In using the products, refer to "Handling Precautions for Terminals and Connectors" described on our website (Technical documents of Product information page).
- \* RoHS2 compliance
- \* Dimensional unit: mm
- \* Contact JST for details.

# J2000 SERIES / COMMON TYPE / J2500

## Receptacle housing assembly with common connection



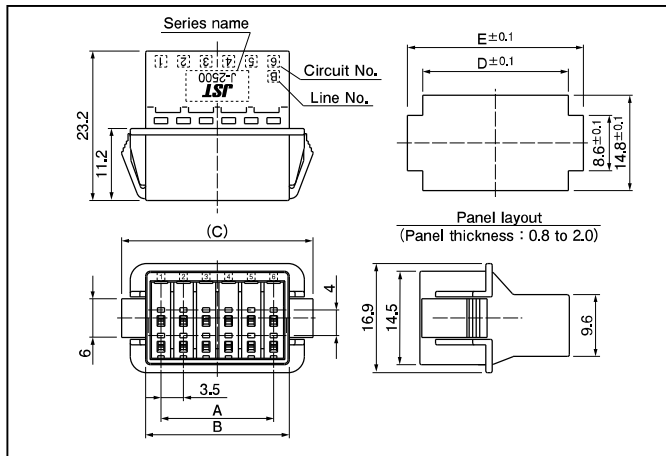
No. of circuits	Keying	Model No.	Q'ty/box
—	—	J25MF-00(2-A1D) V-EC	1,800

### Material and Surface finish, etc.

Contact : Copper alloy, nickel-undercoated, selective gold-plated  
Housing : PBT (Glass-filled), UL94V-0, blue

- Note: 1. Contact JST for 0.76  $\mu\text{m}$  gold-plated products.  
2. Refer to the top page of Common type (J2500) for circuit figure.  
3. Not UL/TÜV listed.

## Tab housing (Panel mounting type)



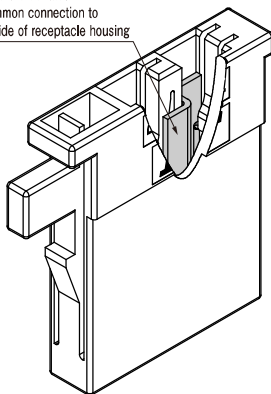
No. of circuits	Keying	Model No.	Dimensions (mm)					Q'ty
			A	B	C	D	E	
12	—	J25DPM-12V-K	17.5	22.3	29.7	22.6	27.3	200/bag
20	—	J25DPM-20V-K	31.5	36.3	43.7	36.6	41.3	132/box

### Material and Surface finish, etc.

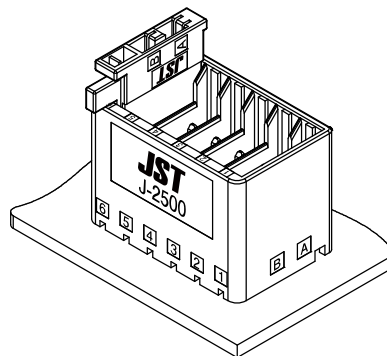
PBT (Glass-filled), UL94V-0, black

### Cross-section of receptacle housing assembly with common connection

Inserted the contact for common connection to the inside of receptacle housing

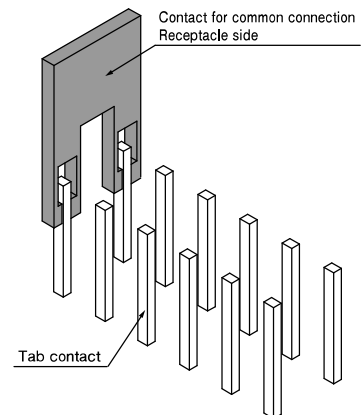


### Illustration when using



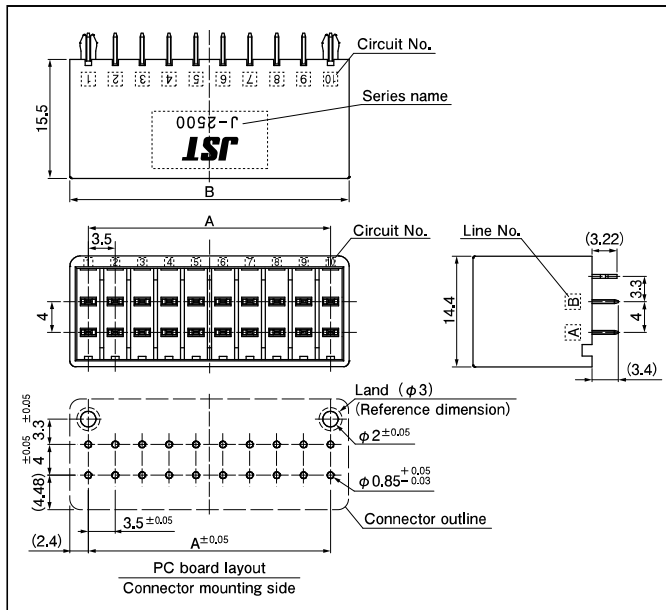
\*When using receptacle housing assembly with common connection

### Circuit figure when using



# J2000 SERIES / COMMON TYPE / J2500

## Header (Top entry type)



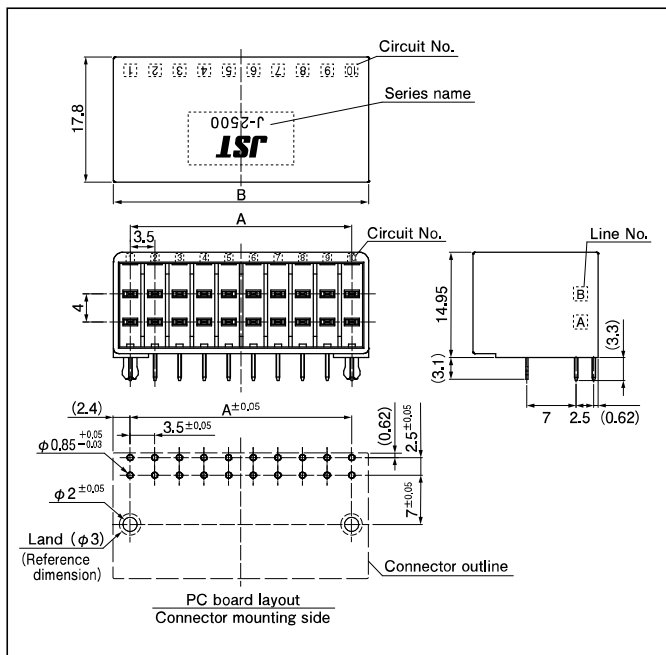
No. of circuits	Keying	Model No.	Dimensions (mm)		Q'ty/box
			A	B	
12	—	B12B-J25DK-GGR	17.5	22.3	108
20	—	B20B-J25DK-GGR	31.5	36.3	72

### Material and Surface finish, etc.

Tab contact : Copper alloy, nickel-undercoated, selective gold-plated  
Housing : PBT (Glass-filled), UL94V-0, black  
Reinforcement : Copper alloy, nickel-undercoated, selective gold-plated

This product displays (LF) (AU) on a label.  
Note: Contact JST for 0.76  $\mu$ m gold-plated products.

## Header (Side entry type)



No. of circuits	Keying	Model No.	Dimensions (mm)		Q'ty/box
			A	B	
12	—	S12B-J25DK-GGR	17.5	22.3	108
20	—	S20B-J25DK-GGR	31.5	36.3	72

### Material and Surface finish, etc.

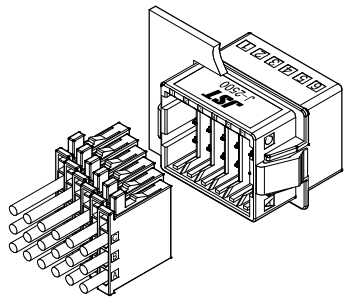
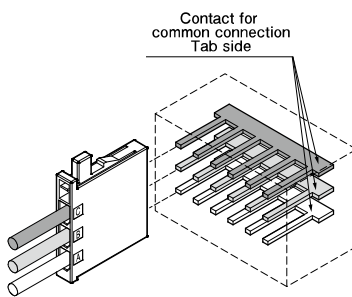
Tab contact : Copper alloy, nickel-undercoated, selective gold-plated  
Housing : PBT (Glass-filled), UL94V-0, black  
Reinforcement : Copper alloy, nickel-undercoated, selective gold-plated

This product displays (LF) (AU) on a label.  
Note: Contact JST for 0.76  $\mu$ m gold-plated products.

# J2000 SERIES/COMMON TYPE/ J2500

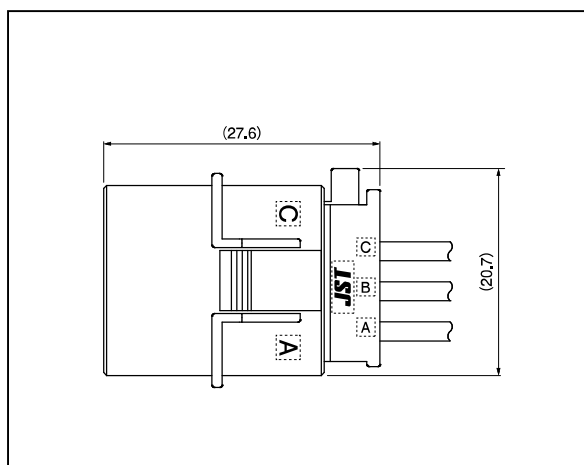
## Triple-row Common type (J2500)

Current unit : A

Receptacle side	Tab side	Appearance	Circuit figure	Current rating : AC / DC					
				Wire size (AWG)					
				#20	#22	#24	#26	#28	Wire size remark
Normal Receptacle housing	Contact for common connection Tab side			5.5	5.0	4.5	4.0	3.5	Total input current on single-row

- Rationalization of wiring is realized by the common connection inside the connector.

## Assembly layout

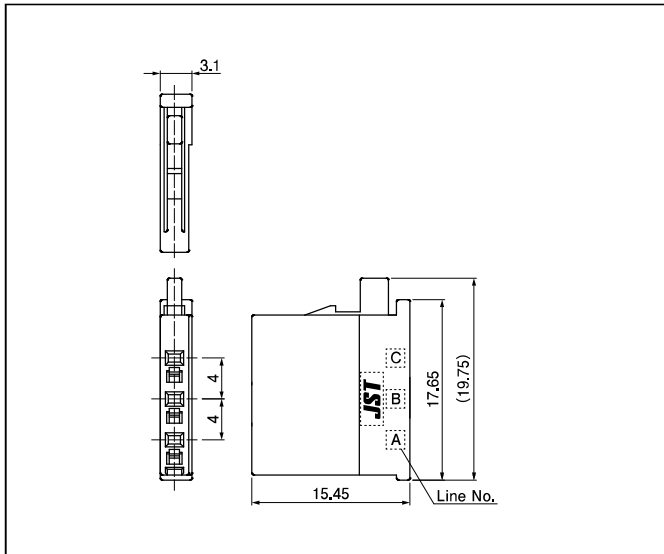


## Specifications

- Current rating : Refer to the above table.
- Voltage rating : 250 V AC/DC
- Temperature range : -55°C to +105°C  
(including temperature rise in applying electrical current)
- Applicable wire range : AWG #28 to AWG #20
- \* Please note that the above general specifications may differ from the safety standards.
- \* In using the products, refer to "Handling Precautions for Terminals and Connectors" described on our website (Technical documents of Product information page).
- \* RoHS2 compliance
- \* Dimensional unit: mm
- \* Contact JST for details.

# J2000 SERIES / COMMON TYPE / J2500

## Receptacle housing

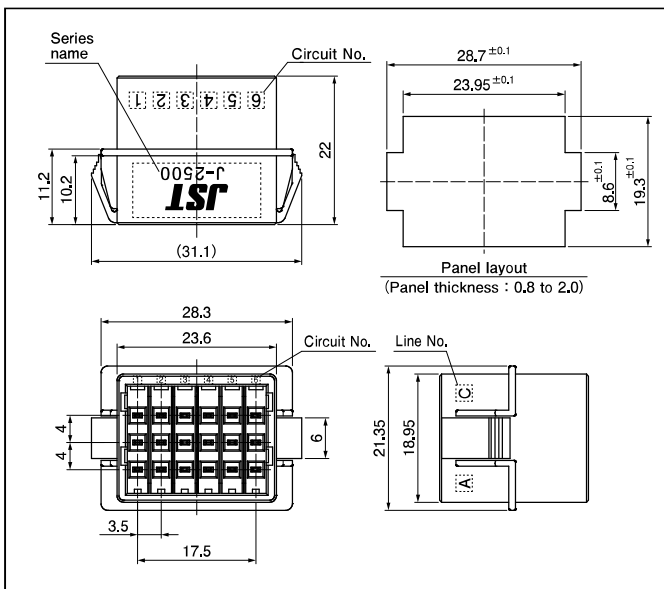


No. of circuits	Keying	Model No.	Q'ty/bag
3	-	J25TF-03V-K	600

Material and Surface finish, etc.

PBT (Glass-filled), UL94V-0, black

## Common tab housing Assembly



No. of circuits	Keying	Model No.	Q'ty/box
18	-	P18B-J25TK-GFR	180

Material and Surface finish, etc.

Tab contact : Copper alloy, nickel-undercoated, selective gold-plated  
Housing : PBT (Glass-filled), UL94V-0, black

Note: 1. Contact JST for 0.76  $\mu$ m gold-plated products.  
2. Refer to the top page of Common type (J2500) for circuit figure.

# JFA CONNECTOR / J2000 SERIES

## Model number allocation

### Receptacle contact

Supply form: **S J2 F - 01 GF - P 1.0**  
 S...Strip form, B...Loose piece contact  
 Series name  
 Type: Receptacle contact  
 Applicable wire range: 002...AWG #28 to AWG #24  
 01...AWG #24 to AWG #20  
 21...AWG #22 to AWG #20  
 Surface finish:  
 GF...Nickel-undercoated, 0.38 μm selective gold-plated  
 GI...Nickel-undercoated, 0.76 μm selective gold-plated  
 Material: Copper alloy  
 Size

### Tab contact

Supply form: **S J2 M - 01 GF - M 1.0 N**  
 S...Strip form  
 B...Loose piece contact  
 Series name  
 Type: Tab contact  
 Applicable wire range:  
 002...AWG #28 to AWG #24  
 01...AWG #24 to AWG #20  
 21...AWG #22 to AWG #20  
 Surface finish:  
 GF...Nickel-undercoated, 0.38 μm selective gold-plated  
 GI...Nickel-undercoated, 0.76 μm selective gold-plated  
 Material: Copper alloy  
 Size  
 Sequential: N...Normal, S...Sequential

### Receptacle housing

Series name: **J21 D F - 06 V - K X - L**  
 J21...Center locking type  
 J22...Side locking type  
 J23...Module type  
 J24...Hybrid type  
 J25...Module type  
 J28...Side locking type (Thin type)  
 Array: S...Single-row, D...Dual-row, M...Module,  
 T...Triple-row, C...For sensor  
 Type:  
 F...Receptacle housing  
 FS...Receptacle housing (Side locking type) (J2400 series only)  
 FC...Receptacle housing (Center locking type) (J2400 series only)  
 No. of circuits  
 Flammability: UL94V-0  
 Color: K...Black, S...Natural (White), PK...Pink,  
 E...Blue, M...Green  
 Keying: X...X-Keying, Y...Y-Keying, Sn...Special Keying,  
 E...Space (2 spaces) for Keying block,  
 Blank...Without Keying No.  
 Keyway type (J2100 series only):  
 L...Long keying type  
 Blank...Short keying type (6-circuit: Long keying type)

### Tab housing

Series name: **J21 D PM - 06 V - K X**  
 J21...Center locking type  
 J25...Module type  
 J28...Side locking type (Thin type)  
 Array: S...Single-row, D...Dual-row  
 Mounting arrangement: PM...Panel mounting  
 FM...Free hanging  
 No. of circuits  
 Flammability: UL94V-0  
 Color: K...Black  
 Keying:  
 X...X-Keying, Y...Y-Keying, Blank...Without Keying No.

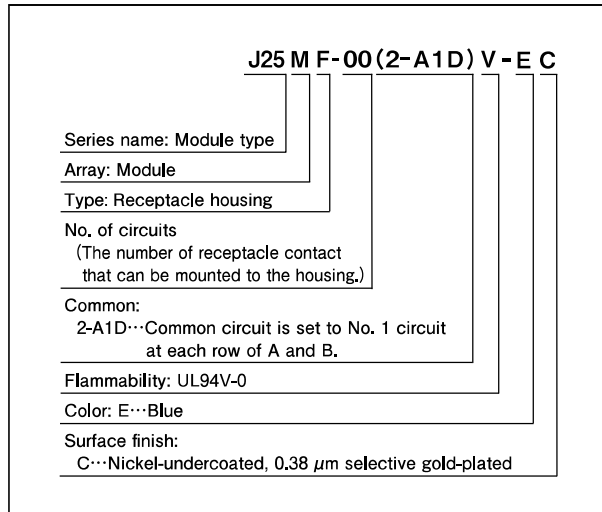
### Header

Header type: **S 04 B - J28 S K - GG X Q1 R**  
 B...Top entry type  
 S...Side entry type  
 No. of circuits  
 Part name: Assembly product  
 Series name:  
 J21...Center locking type  
 J22...Side locking type  
 J23...Module type  
 J24...Hybrid type  
 J25...Module type  
 J28...Side locking type (Thin type)  
 Array: S...Single-row, D...Dual-row  
 Color: K...Black, S...Natural (White),  
 PK...Pink, E...Blue, M...Green  
 Surface finish:  
 GG...Nickel-undercoated, 0.38 μm selective gold-plated  
 GK...Nickel-undercoated, 0.76 μm selective gold-plated  
 Keying: X...X-Keying, Y...Y-Keying, N...Special Keying,  
 E...Space (2 spaces) for Keying block,  
 Blank...Without Keying No.  
 Sequential: Q1...Sequential, Blank...Normal  
 Packaging form: Tray

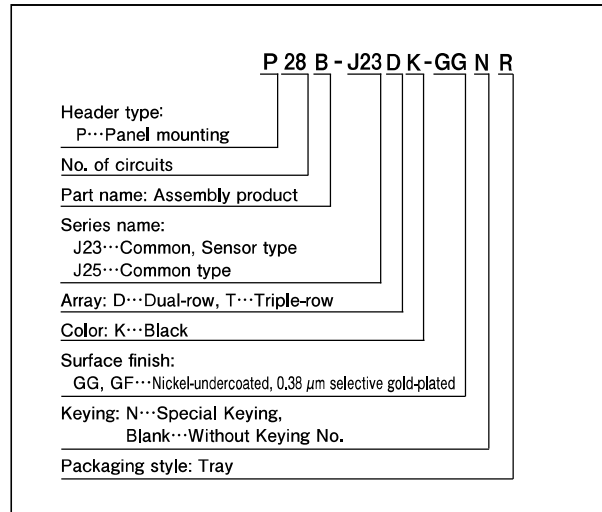
# JFA CONNECTOR / J2000 SERIES

## Model number allocation

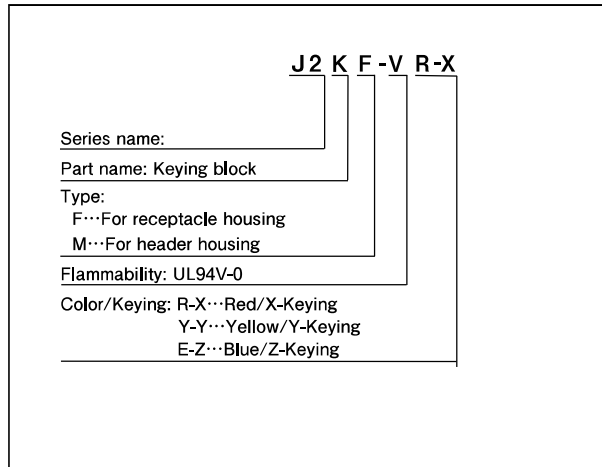
### Receptacle housing assembly

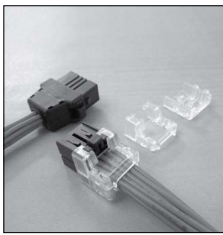


### Common tab housing assembly

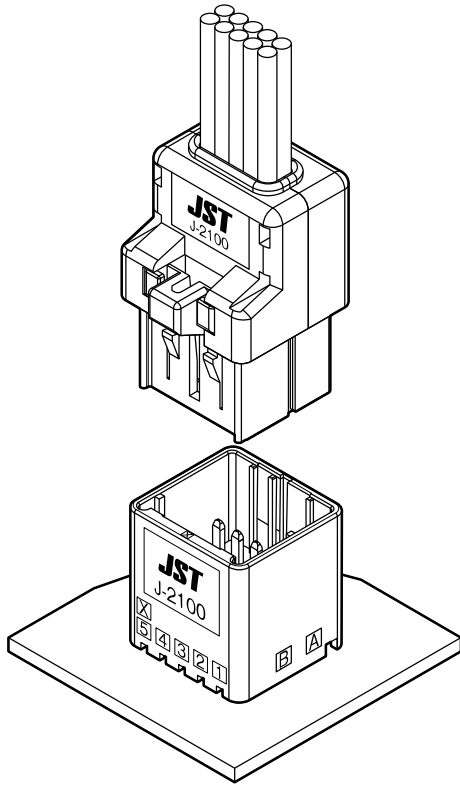


### Keying block






# JFA CONNECTOR J2000 SERIES PROTECTOR



## Standards

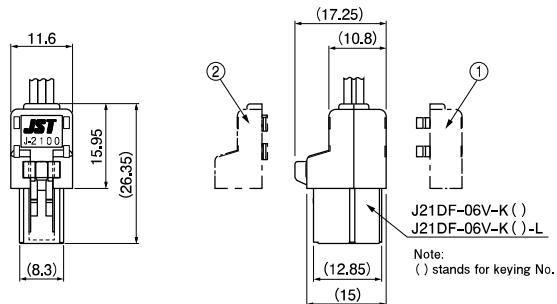
 J50209682

When applying a current to the connector, the protector prevents foreign substances being inserted into mating part from the wiring side. However it has no function of holding the wire securely.

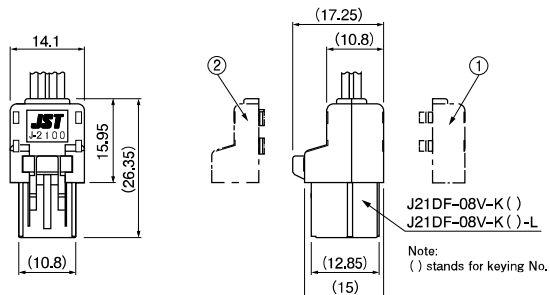
Note: Protector is unlisted in UL.

## J2000 Series

### • J2100 series for 6 circuits



### • J2100 series for 8 circuits



No.	Model No.	Color	Q'ty/box
1	J21PF-06SCA	Transparent	2,250
2	J21PF-06SCB	Transparent	2,100

#### Material and Finish

Polycarbonate

RoHS2 compliance

No.	Model No.	Color	Q'ty/box
1	J21PF-08SCA	Transparent	480
2	J21PF-08SCB	Transparent	270

#### Material and Finish

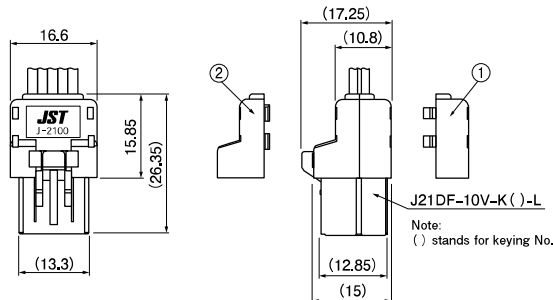
Polycarbonate

RoHS2 compliance

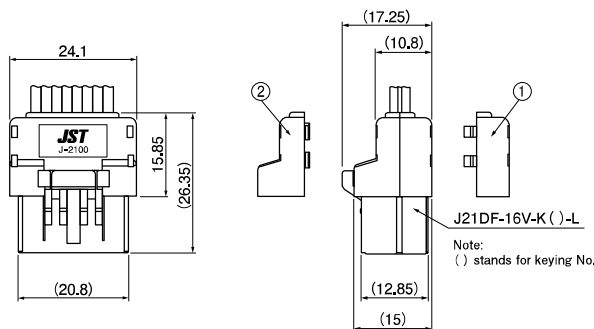
# JFA CONNECTOR J2000 SERIES PROTECTOR

## J2000 Series

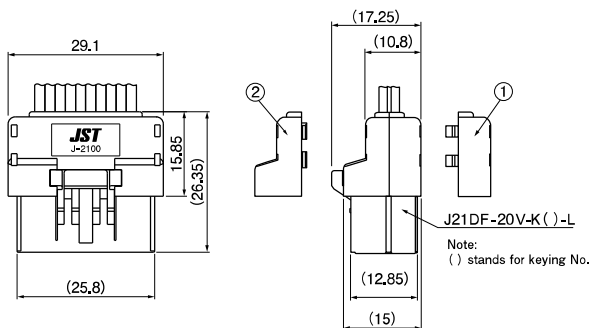
### • J2100 series for 10 circuits



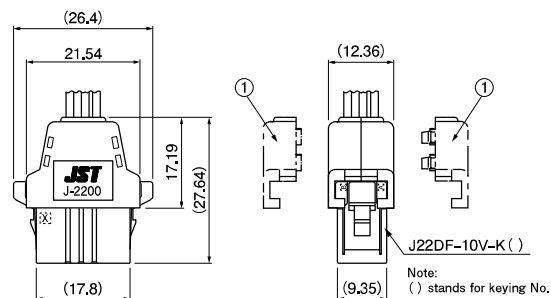
### • J2100 series for 16 circuits



### • J2100 series for 20 circuits



### • J2200 series for 10 circuits



No.	Model No.	Color	Q'ty/box
1	J21PF-10VKA	Black	390
	J21PF-10SCA	Transparent	390
2	J21PF-10VKB	Black	234
	J21PF-10SCB	Transparent	234

#### Material and Finish

Black: Glass-filled PBT  
Transparent: Polycarbonate

#### RoHS2 compliance

Note: Use the same color for protector 1 and 2.

No.	Model No.	Color	Q'ty/box
1	J21PF-16VKA	Black	270
	J21PF-16SCA	Transparent	270
2	J21PF-16VKB	Black	162
	J21PF-16SCB	Transparent	162

#### Material and Finish

Black: Glass-filled PBT  
Transparent: Polycarbonate

#### RoHS2 compliance

Note: Use the same color for protector 1 and 2.

No.	Model No.	Color	Q'ty/box
1	J21PF-20VKA	Black	210
	J21PF-20SCA	Transparent	210
2	J21PF-20VKB	Black	126
	J21PF-20SCB	Transparent	126

#### Material and Finish

Black: Glass-filled PBT  
Transparent: Polycarbonate

#### RoHS2 compliance

Note: Use the same color for protector 1 and 2.

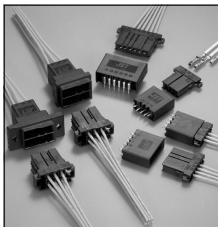
No.	Model No.	Color	Q'ty/box
1	J22PF-10VK	Black	420

#### Material and Finish

Glass-filled PBT

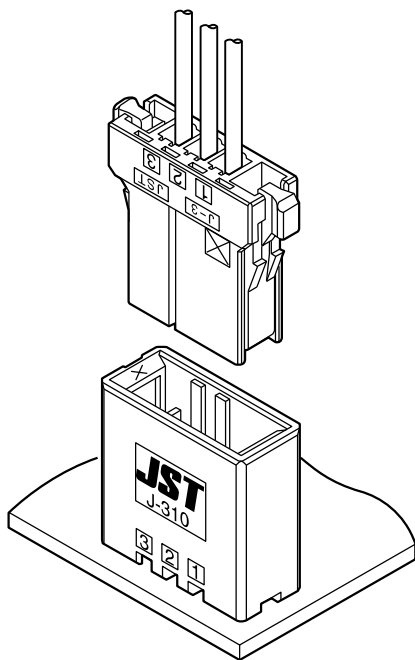
#### RoHS2 compliance

Note: Two protectors are used.



# JFA CONNECTOR J300 SERIES

3.81, 5.08, 5.4 mm pitch/Disconnectable Crimp style connectors(Wire-to-board/Wire-to-wire)



Connectors for signal circuit or power supply circuit, applicable to the factory automation, heavy electric machinery, and other industrial equipment in general.

In spite of the various kinds of housings available, their contacts are designed to be common.

The applicable tooling can be standardized.

- Double-spring construction
- Housing lances
- Clear click feeling

## Specifications

• Current rating : AC/DC

Unit: A

No. of circuits	Wire size (AWG)							
	#14	#16	#18	#20	#22	#24	#26	#28
1	15.0	14.0	11.5	9.5	8.0	6.5	5.75	4.75
2	13.5	13.5	11.25	9.25	7.5	6.25	5.5	4.5
3	12.25	12.25	10.5	8.5	7.0	5.75	5.0	4.1
4	11.25	11.25	10.0	8.0	6.5	5.5	4.75	4.0
5	10.5	10.5	9.5	7.5	6.25	5.25	4.5	4.0
6	9.75	9.75	9.0	7.0	6.0	5.0	4.25	3.75
8	9.0	9.0	8.25	6.5	5.5	4.5	3.75	3.25
9	8.5	8.5	8.0	6.25	5.25	4.5	3.75	3.25
10	8.5	8.5	8.0	6.25	5.25	4.5	3.75	3.25
12	8.25	8.25	7.75	6.0	5.0	4.0	3.5	3.0
16	8.0	8.0	7.5	6.0	4.75	4.0	3.5	3.0
20	8.0	8.0	7.25	6.0	4.5	4.0	3.5	2.75
40	7.5	7.5	6.25	5.25	4.0	3.5	3.0	2.5

• Voltage rating: J310/J340/J380 series (3.81 mm pitch) 250 V AC/DC  
J320/J350 series (5.08 mm pitch) 600 V AC/DC

• Temperature range: -55°C to + 105°C

(including temperature rise in applying electrical current)

• Contact resistance: Initial value/ 5 mΩ max.

After environmental tests/ 10 mΩ max.

• Insulation resistance: 1,000 mΩ min.

• Withstanding voltage:

J310/J340/J380 series (3.81 mm pitch) 1,500 VAC/minute

J320/J350 series (5.08 mm pitch) 2,200 VAC/minute

• Applicable wire: AWG #28 to #14

• Applicable PC board thickness: 1.6 to 2.4 mm

\* Refer to the page of each product for the specifications of the J330 series and common type (J350D, J360T).

\* In using the products, refer to "Handling Precautions for Terminals and Connectors" described on our website (Technical documents of Product information page).


\* Dimensional unit: mm

\* RoHS2 Compliance

\* Contact JST for details.

## Standards

 :Recognized E60389

 :R50133261

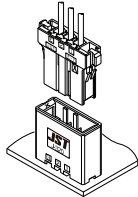
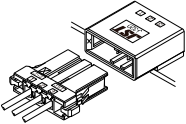
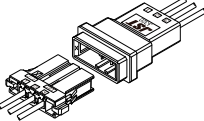
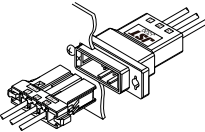
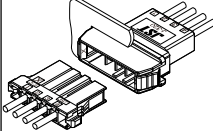
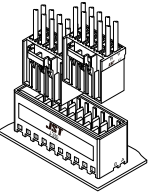
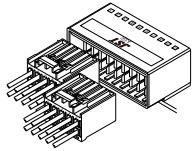
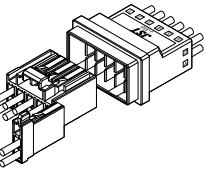
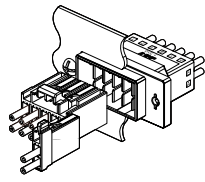
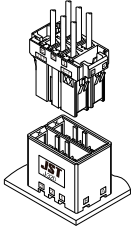
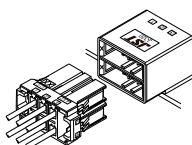
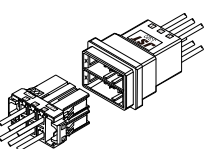
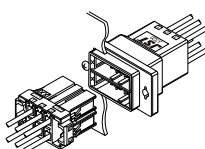

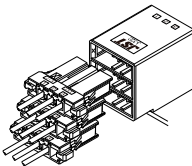


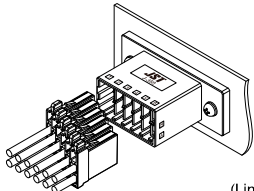
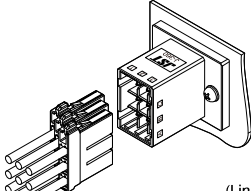
# JFA CONNECTOR/J300 SERIES

## J300 series products line-up

Type	3.81 mm pitch , Voltage rating 250 V AC/DC				
	Wire-to-board		Wire-to-wire		
	Top entry type	Side entry type	Free hanging type	Panel mounting type	
J310S Single-row type					
	No. of circuits	3, 4, 5, 6, 8,10	3, 4, 5, 6, 8,10	3, 4, 5, 8,10	3, 4, 5, 8,10
J310D Dual-row type [Line pitch 5.08 mm]					
	No. of circuits	6, 8,10,12,16, 20	6, 8,10,12,16, 20	6, 8,10,12,16, 20	6,12, 20
J310M Dual-row module type [Line pitch 7.62 mm]					
	No. of circuits	6	6		
J340F Four-row type [Line pitch 5.08 mm]					
	No. of circuits		12, 20		
J380 Dual-row type [Line pitch 5.08 mm] (Thin type)					
	No. of circuits	40	20, 40		
Type	5.4 mm pitch , Voltage rating 600 V AC/DC				
	Wire-to-wire				
J330 [Line pitch 7.7 mm]	Panel mounting type				
No. of circuits	30, 40				

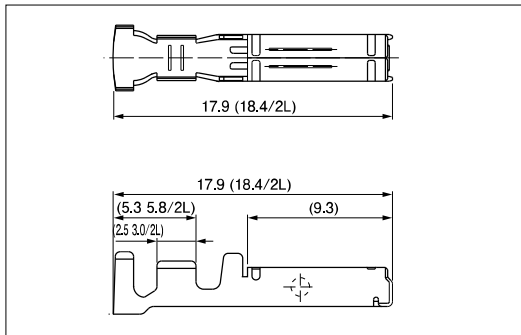
# JFA CONNECTOR/J300 SERIES

## J300 series products line-up

Type	5.08 mm pitch , Voltage rating 600 V AC/DC				
	Wire-to-board		Wire-to-wire		
	Top entry type	Side entry type	Free hanging type	Panel mounting type	
J320S Single-row type				Screw type	Housing lock type
					
No. of circuits	2, 3, 4, 5, 6	2, 3, 4, 5, 6	1, 2, 3, 4	1, 2, 3, 4	4
J350D Dual-row type [Line pitch 5.08 mm]					
No. of circuits	12, 20	4, 12, 20	12	12	
J320M Dual-row module type [Line pitch 7.62 mm]					
No. of circuits	6, 10, 12	6, 8, 10, 12	6, 12	6, 12, 20	
J320T Triple-row module type [Line pitch 7.62 mm]					
No. of circuits		9			
Common type	Dual-row common type (J350D)		Triple-row common type (J360T)		
	 (Line pitch 5.08 mm)		 (Line pitch 6.5 mm)		
No. of circuits	12		9, 18, 24		

# JFA CONNECTOR/J300 SERIES

## Receptacle contact



Model No.		Applicable wire			Insulation O.D.	Q'ty	
Strip contact	Loose piece	Size	mm <sup>2</sup>	AWG#	(mm)	reel	box (Loose piece)
SF3F-002 (*) -P2.0	BF3F-002 (*) -P2.0	S	0.08~0.20	28~24	0.8~1.4	3,700	1,000
SF3F-01 (*) -P2.0	BF3F-01 (*) -P2.0	M	0.20~0.50	24~20	1.2~2.6	3,700	1,000
SF3F-41 (*) -P2.0	LF3F-41 (*) -P2.0	L	0.50~1.25	20~16	1.8~2.8	3,200	1,000
SF3F-71 (*) -P2.0	BF3F-71 (*) -P2.0	2L	1.25~2.0	16~14	2.4~3.4	3,200	1,000

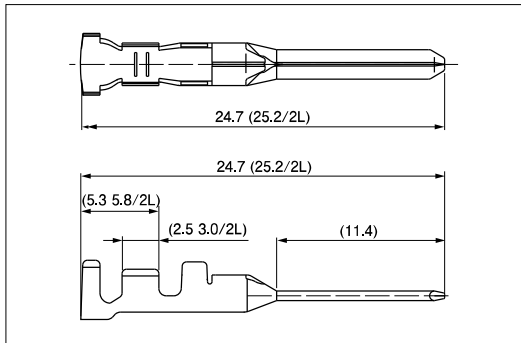
### Material and Finish

Copper alloy (superior conductivity), nickel-undercoated, selective gold-plated  
tin-plated (reflow treatment)

### RoHS2 compliance

Note: Finish (\*): GF.....Nickel-undercoated, 0.38 μm selective gold-plated  
GFA...Nickel-undercoated, 0.38 μm selective gold-plated (A type)  
GI.....Nickel-undercoated, 0.76 μm selective gold-plated  
GIA.....Nickel-undercoated, 0.76 μm selective gold-plated (A type)  
T.....Tin-plated (reflow treatment)

## Tab contact



Model No.		Applicable wire			Insulation O.D.	Q'ty	
Strip contact	Loose piece	Size	mm <sup>2</sup>	AWG#	(mm)	reel	box (Loose piece)
SF3M-002 (*) -M2.0N	BF3M-002 (*) -M2.0N	S	0.08~0.20	28~24	0.8~1.4	3,500	1,000
SF3M-01 (*) -M2.0N	BF3M-01 (*) -M2.0N	M	0.20~0.50	24~20	1.2~2.6	3,500	1,000
SF3M-41 (*) -M2.0N	LF3M-41 (*) -M2.0N	L	0.50~1.25	20~16	1.8~2.8	3,300	1,000
SF3M-71 (*) -M2.0N	BF3M-71 (*) -M2.0N	2L	1.25~2.0	16~14	2.4~3.4	3,200	1,000

### Material and Finish

Copper alloy (superior conductivity), nickel-undercoated, selective gold-plated  
tin-plated (reflow treatment)

### RoHS2 compliance

Note: 1. Finish (\*): GF...Nickel-undercoated, 0.38 μm selective gold-plated  
GI.....Nickel-undercoated, 0.76 μm selective gold-plated  
T.....Tin-plated (reflow treatment)

## Crimping machine, Applicator

Strip contact Model No.	Crimping machine	Applicator			Hand tools	
		Crimp applicator	Dies	Crimp applicator with dies		
SF3F-002 (*) -P2.0	AP-K2N	MKS-L	MK/SF3F/M-002-20	APLMK SF3F/M002-20	YRK-8821	
SF3M-002 (*) -M2.0N			MK/SF3F/M-01-20	APLMK SF3F/M01-20	YRK-8811	
SF3F-01 (*) -P2.0			MK/SF3F/M-41-20	APLMK SF3F/M41-20	YRK-8801	
SF3M-01 (*) -M2.0N			MK/SF3F/M-71-20	APLMK SF3F/M71-20	YRK-1071	
SF3F-41 (*) -P2.0						
SF3M-41 (*) -M2.0N						
SF3F-71 (*) -P2.0						
SF3M-71 (*) -M2.0N						

Note: Finish (\*): GF.....Nickel-undercoated, 0.38 μm selective gold-plated  
GFA...Nickel-undercoated, 0.38 μm selective gold-plated (A type)  
GI.....Nickel-undercoated, 0.76 μm selective gold-plated  
GIA.....Nickel-undercoated, 0.76 μm selective gold-plated (A type)  
T.....Tin-plated (reflow treatment)

• Extraction tool for J300 series: EJ-JFAJ3

• Special extraction tool for J300 series: For receptacle only ...EJ-JFAJ3R, For tab only ...EJ-JFAJ3T  
• Refer to the page of "Crimping tools" for details of YRK series hand crimping tools that uses a strip contact.

Loose piece	Hand tools
BF3F-002 (*) -P2.0	YRF-882
BF3M-002 (*) -M2.0N	
BF3F-01 (*) -P2.0	YRF-881
BF3M-01 (*) -M2.0N	
LF3F-41 (*) -P2.0	YRF-880
LF3M-41 (*) -M2.0N	
BF3F-71 (*) -P2.0	YRF-1070
BF3M-71 (*) -M2.0N	YRF-1071

Note: Finish (\*): GF.....Nickel-undercoated, 0.38 μm selective gold-plated  
GFA...Nickel-undercoated, 0.38 μm selective gold-plated (A type)  
GI.....Nickel-undercoated, 0.76 μm selective gold-plated  
GIA.....Nickel-undercoated, 0.76 μm selective gold-plated (A type)  
T.....Tin-plated (reflow treatment)

## Recognition mark

### • Plating of the contact

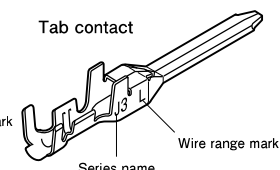
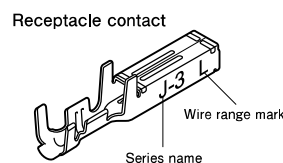
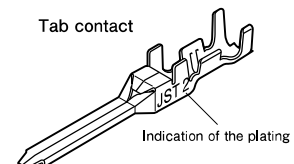
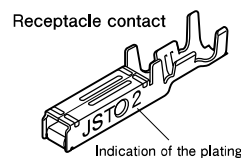
Each contact has a marking on its side so that the type or thickness of the plating is recognized.

- 2 ... gold-plated 0.38 μm thickness
- 2 ... gold-plated 0.38 μm thickness (A type)
- 3 ... gold-plated 0.76 μm thickness
- 3 ... gold-plated 0.76 μm thickness (A type)
- 5 ... tin-plated (reflow treatment)

### • Common marking on the contact and its application tools

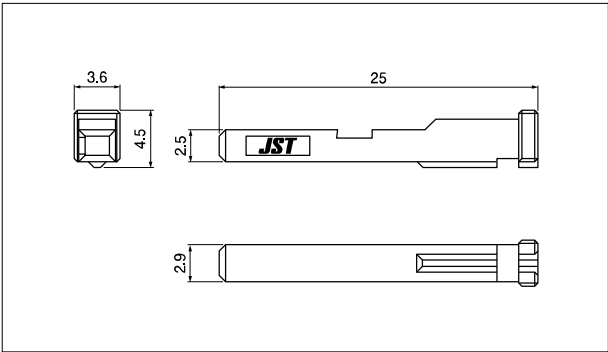
In order to avoid incorrect combination of the hand crimp tools or extraction tools and the contacts, the series name (for example J-3) and wire range mark (S, M, L, 2L) are shown on both the tools and the contacts.

- J-3 S.....AWG #28 ~ #24
- M.....AWG #24 ~ #20
- L.....AWG #20 ~ #16
- 2L...AWG #16 ~ #14



# JFA CONNECTOR/J300 SERIES

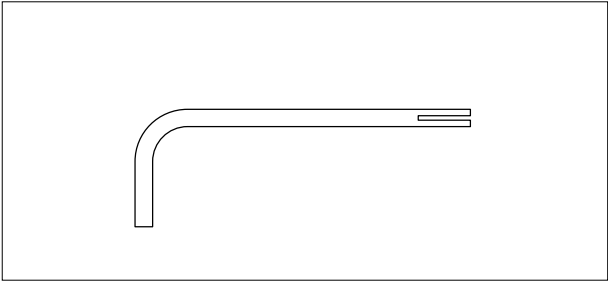
## Keying plug



Model No.	Material and Finish
J3KP-VS	Glass-filled PBT, UL94V-0, white

RoHS2 compliance

## Tab contact (Cutting jig)

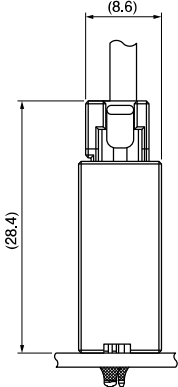
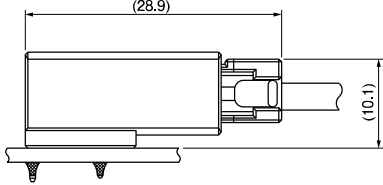
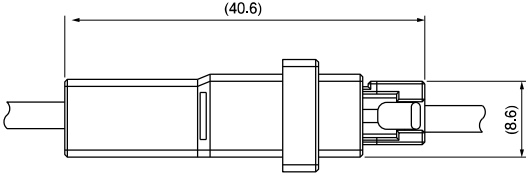


Model No.
CT-JFAJ3A

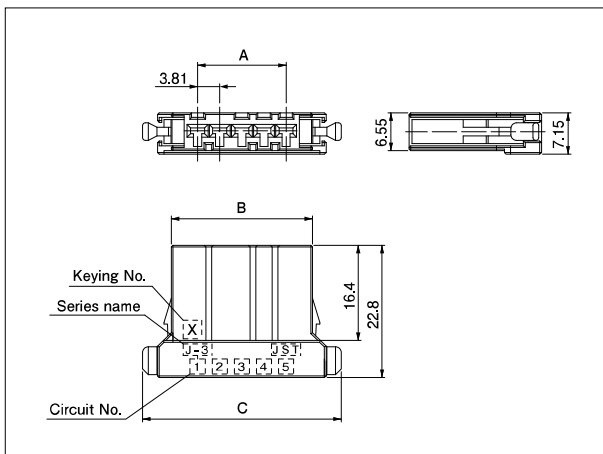
Note: Unlisted in UL/TÜV

# J300 SERIES/J310S

## Assembly layout

<p>Wire-to-board</p>	<p>&lt; Top entry type &gt;</p> 	<p>&lt; Side entry type &gt;</p> 
<p>Wire-to-wire</p>	<p>&lt; Free hanging type / Panel mounting type &gt;</p> 	

## Receptacle housing



No. of circuits	Keying	Model No.	Dimensions (mm)			Q'ty /bag
			A	B	C	
3	X	F31FSS-03V-KX	7.62	16.70	26.62	200
	Y	F31FSS-03V-KY	7.62	16.70	26.62	200
4	X	F31FSS-04V-KX	11.43	20.51	30.43	200
	Y	F31FSS-04V-KY	11.43	20.51	30.43	200
5	X	F31FSS-05V-KX	15.24	24.32	34.24	200
	Y	F31FSS-05V-KY	15.24	24.32	34.24	200
6	X	F31FSS-06V-KX	19.05	28.13	38.05	200
	Y	F31FSS-06V-KY	19.05	28.13	38.05	200
8	X	F31FSS-08V-KX	26.67	35.75	45.67	100
	Y	F31FSS-08V-KY	26.67	35.75	45.67	100
10	X	F31FSS-10V-KX	34.29	43.37	53.29	100
	Y	F31FSS-10V-KY	34.29	43.37	53.29	100

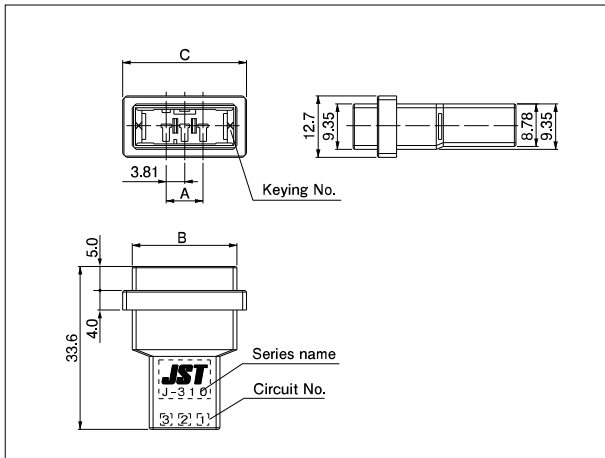
### Material and Finish

Glass-filled PBT, UL94V-0, black

RoHS2 compliance

# J300 SERIES/J310S

## Tab housing (Free hanging type)



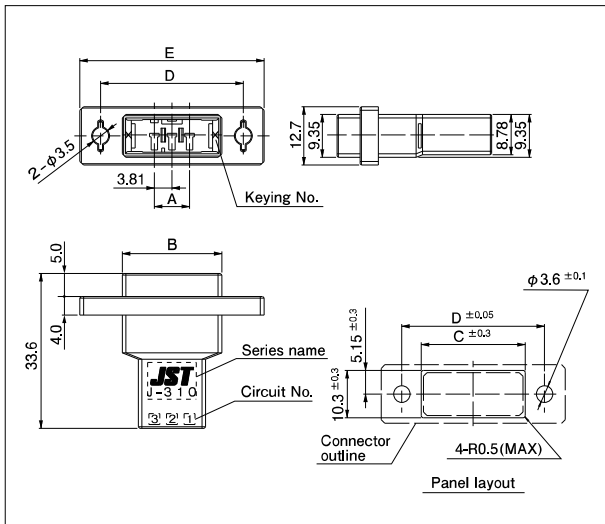
No. of circuits	Keying	Model No.	Dimensions (mm)			Q'ty /bag
			A	B	C	
3	X	F31MSF-03V-KX	7.62	21.62	25.57	200
	Y	F31MSF-03V-KY	7.62	21.62	25.57	200
4	X	F31MSF-04V-KX	11.43	25.43	29.38	200
	Y	F31MSF-04V-KY	11.43	25.43	29.38	200
5	X	F31MSF-05V-KX	15.24	29.24	33.19	200
	Y	F31MSF-05V-KY	15.24	29.24	33.19	200
8	X	F31MSF-08V-KX	26.67	40.67	44.62	100
	Y	F31MSF-08V-KY	26.67	40.67	44.62	100
10	X	F31MSF-10V-KX	34.29	48.29	52.24	100
	Y	F31MSF-10V-KY	34.29	48.29	52.24	100

### Material and Finish

Glass-filled PBT, UL94V-0, black

RoHS2 compliance

## Tab housing (Panel mounting type)



No. of circuits	Keying	Model No.	Dimensions (mm)					Q'ty /bag
			A	B	C	D	E	
3	X	F31MSP-03V-KX	7.62	21.62	22.60	31.00	40.00	200
	Y	F31MSP-03V-KY	7.62	21.62	22.60	31.00	40.00	200
4	X	F31MSP-04V-KX	11.43	25.43	26.40	34.50	43.50	200
	Y	F31MSP-04V-KY	11.43	25.43	26.40	34.50	43.50	200
5	X	F31MSP-05V-KX	15.24	29.24	30.20	38.00	47.00	200
	Y	F31MSP-05V-KY	15.24	29.24	30.20	38.00	47.00	200
8	X	F31MSP-08V-KX	26.67	40.67	41.60	50.00	59.00	100
	Y	F31MSP-08V-KY	26.67	40.67	41.60	50.00	59.00	100
10	X	F31MSP-10V-KX	34.29	48.29	49.20	58.00	67.00	100
	Y	F31MSP-10V-KY	34.29	48.29	49.20	58.00	67.00	100

### Material and Finish

Glass-filled PBT, UL94V-0, black

RoHS2 compliance

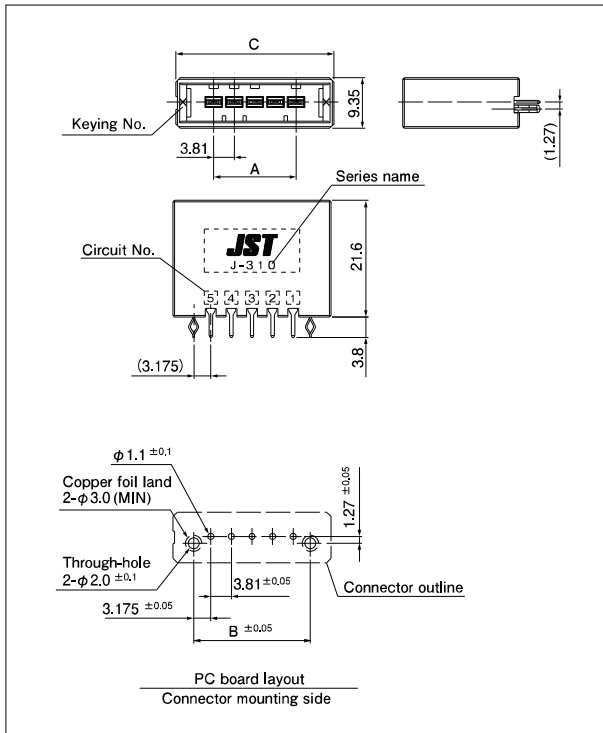
Note: 1. Punch holes in the panel. Burrs must be removed.

2. The strength of the panel must be considered when punching two or more holes.

3. The connector must be inserted from the same side as the hole is punched.

# J300 SERIES/J310S

## Header (Top entry type)



No. of circuits	Keying	Model No.	Dimensions (mm)			Q'ty/box
			A	B	C	
3	X	B03B-F31SK-GGXR	7.62	13.97	21.62	220
	Y	B03B-F31SK-GGYR	7.62	13.97	21.62	220
4	X	B04B-F31SK-GGXR	11.43	17.78	25.43	180
	Y	B04B-F31SK-GGYR	11.43	17.78	25.43	180
5	X	B05B-F31SK-GGXR	15.24	21.59	29.24	160
	Y	B05B-F31SK-GGYR	15.24	21.59	29.24	160
6	X	B06B-F31SK-GGXR	19.05	25.40	33.05	140
	Y	B06B-F31SK-GGYR	19.05	25.40	33.05	140
8	X	B08B-F31SK-GGXR	26.67	33.02	40.67	120
	Y	B08B-F31SK-GGYR	26.67	33.02	40.67	120
10	X	B10B-F31SK-GGXR	34.29	40.64	48.29	100
	Y	B10B-F31SK-GGYR	34.29	40.64	48.29	100

### Material and Finish

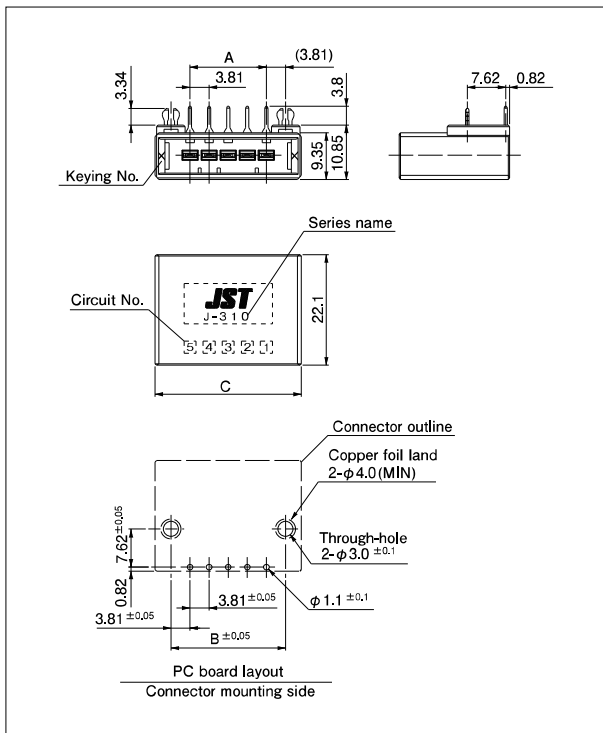
Tab contact: Copper alloy, nickel-undercoated, selective gold-plated  
Housing: Glass-filled PBT, UL94V-0, black  
Reinforcement: Copper alloy, nickel-undercoated, selective gold-plated

RoHS2 compliance This product displays (LF)(AU) on a label.

Note: 1. Contact JST about the headers supplied in magazine stick.

2. Contact JST about 0.76 μm gold-plated product and tin-plated product.

## Header (Side entry type)



No. of circuits	Keying	Model No.	Dimensions (mm)			Q'ty/box
			A	B	C	
3	X	S03B-F31SK-GGXR	7.62	15.24	21.62	165
	Y	S03B-F31SK-GGYR	7.62	15.24	21.62	165
4	X	S04B-F31SK-GGXR	11.43	19.05	25.43	135
	Y	S04B-F31SK-GGYR	11.43	19.05	25.43	135
5	X	S05B-F31SK-GGXR	15.24	22.86	29.24	120
	Y	S05B-F31SK-GGYR	15.24	22.86	29.24	120
6	X	S06B-F31SK-GGXR	19.05	26.67	33.05	105
	Y	S06B-F31SK-GGYR	19.05	26.67	33.05	105
8	X	S08B-F31SK-GGXR	26.67	34.29	40.67	90
	Y	S08B-F31SK-GGYR	26.67	34.29	40.67	90
10	X	S10B-F31SK-GGXR	34.29	41.91	48.29	75
	Y	S10B-F31SK-GGYR	34.29	41.91	48.29	75

### Material and Finish

Tab contact: Copper alloy, nickel-undercoated, selective gold-plated  
Housing: Glass-filled PBT, UL94V-0, black  
Reinforcement: Copper alloy, nickel-undercoated, selective gold-plated

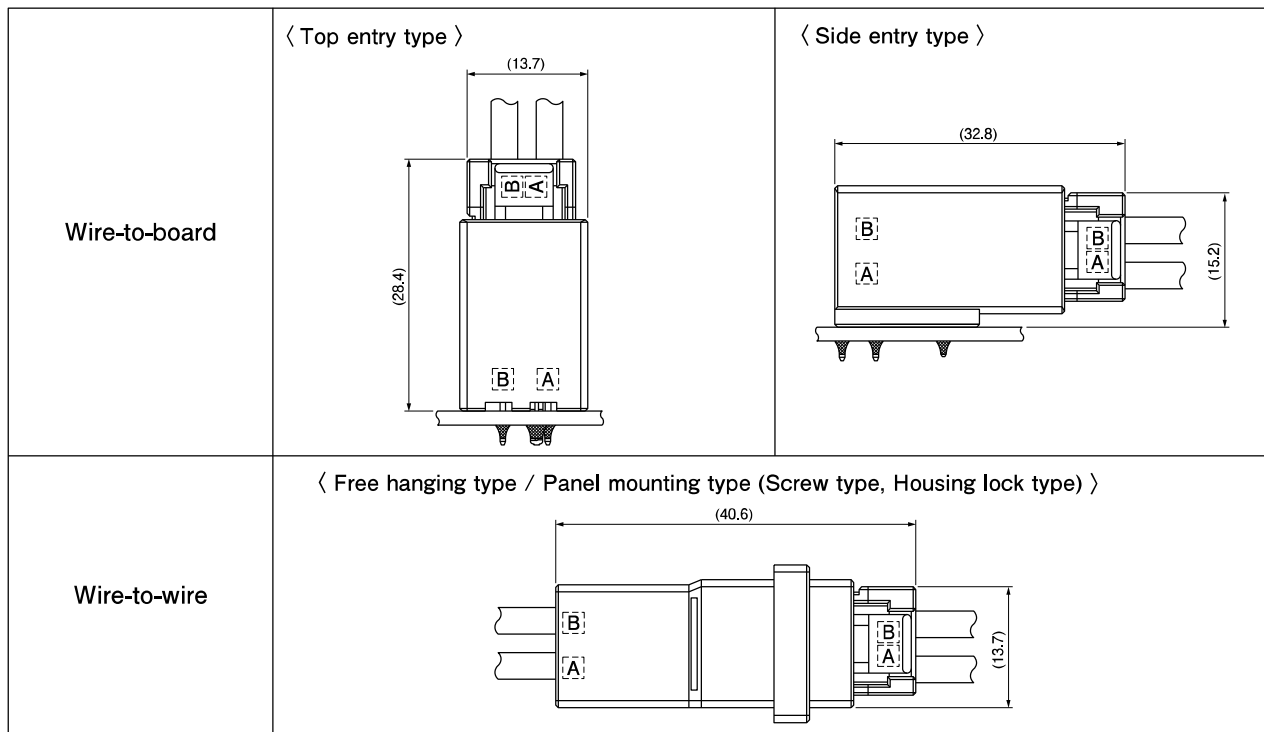
RoHS2 compliance This product displays (LF)(AU) on a label.

Note: 1. Contact JST about the headers supplied in magazine stick.

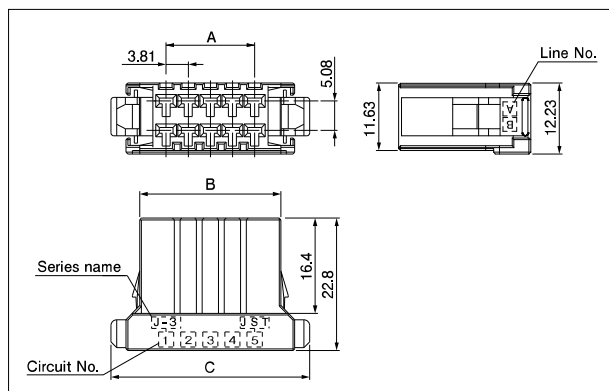
2. Contact JST about 0.76 μm gold-plated product and tin-plated product.

# J300 SERIES/J310D

## Assembly layout



## Receptacle housing



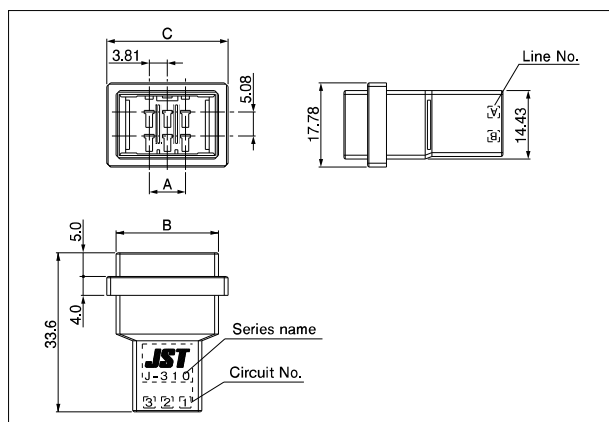
No. of circuits	Keying	Model No.	Dimensions (mm)			Q'ty/bag
			A	B	C	
6	—	F31FDS-06V-K	7.62	16.70	26.62	200
8	—	F31FDS-08V-K	11.43	20.51	30.43	100
10	—	F31FDS-10V-K	15.24	24.32	34.24	100
12	—	F31FDS-12V-K	19.05	28.13	38.05	100
16	—	F31FDS-16V-K	26.67	35.75	45.67	100
20	—	F31FDS-20V-K	34.29	43.37	53.29	100

### Material and Finish

Glass-filled PBT, UL94V-0, black

RoHS2 compliance

## Tab housing (Free hanging type)



No. of circuits	Keying	Model No.	Dimensions (mm)			Q'ty/bag
			A	B	C	
6	—	F31MDF-06V-K	7.62	21.62	25.57	200
8	—	F31MDF-08V-K	11.43	25.43	29.38	100
10	—	F31MDF-10V-K	15.24	29.24	33.19	100
12	—	F31MDF-12V-K	19.05	33.05	37.00	100
16	—	F31MDF-16V-K	26.67	40.67	44.62	100
20	—	F31MDF-20V-K	34.29	48.29	52.24	100

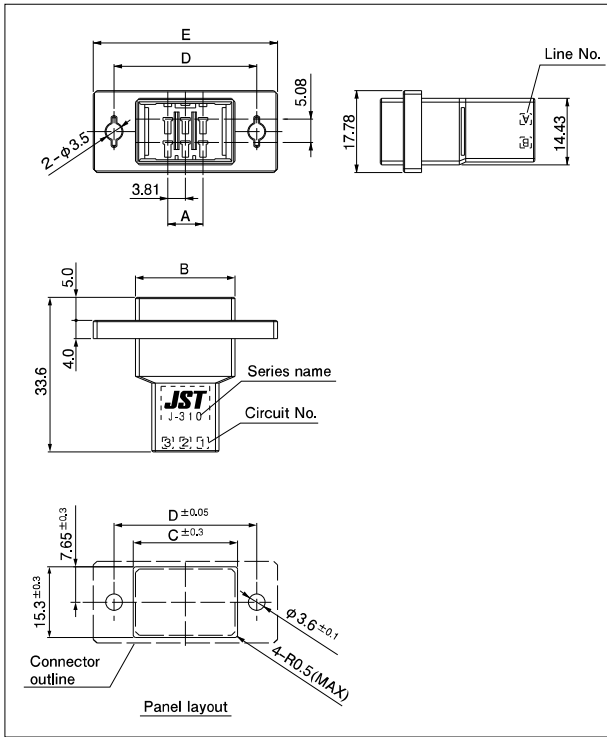
### Material and Finish

Glass-filled PBT, UL94V-0, black

RoHS2 compliance

# J300 SERIES/J310D

## Tab housing (Panel mounting type)



No. of circuits	Keying	Model No.	Dimensions (mm)					Q'ty /bag
			A	B	C	D	E	
6	—	F31MDP-06V-K	7.62	21.62	22.60	31.00	40.00	200
8	—	F31MDP-08V-K	11.43	25.43	26.40	34.50	43.50	100
10	—	F31MDP-10V-K	15.24	29.24	30.20	38.00	47.00	100
12	—	F31MDP-12V-K	19.05	33.05	34.00	42.00	51.00	100
16	—	F31MDP-16V-K	26.67	40.67	41.60	50.00	59.00	100
20	—	F31MDP-20V-K	34.29	48.29	49.20	58.00	67.00	100

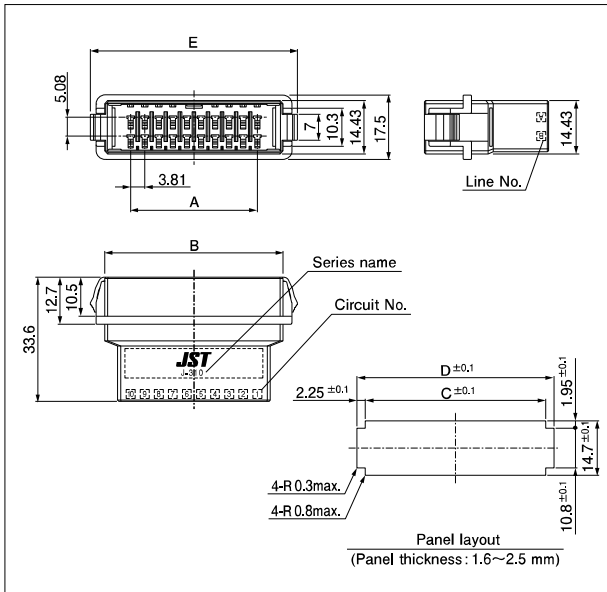
### Material and Finish

Glass-filled PBT, UL94V-0, black

### RoHS2 compliance

- Note:
1. Punch holes in the panel. Burrs must be removed.
  2. The strength of the panel must be considered when punching two or more holes.
  3. The connector must be inserted from the same side as the hole is punched.

## Tab housing (Panel mounting Housing lock type)



No. of circuits	Keying	Model No.	Dimensions (mm)					Q'ty /bag
			A	B	C	D	E	
6	—	F31MDPL-06V-K	7.62	21.62	22.15	26.65	26.33	100
12	—	F31MDPL-12V-K	19.05	33.05	33.55	38.05	37.76	100
20	—	F31MDPL-20V-K	34.29	48.29	48.80	53.30	53.00	80

### Material and Finish

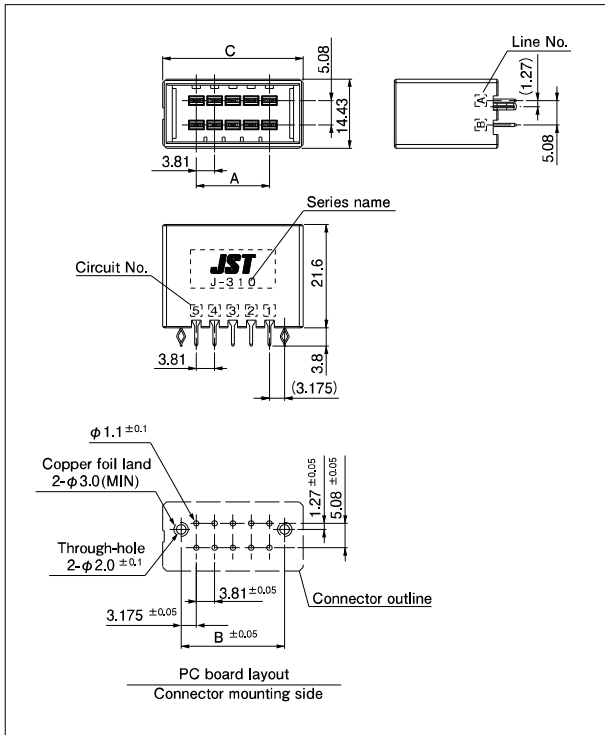
Glass-filled PBT, UL94V-0, black

### RoHS2 compliance

- Note:
1. Punch holes in the panel. Burrs must be removed.
  2. The strength of the panel must be considered when punching two or more holes.
  3. The connector must be inserted from the same side as the hole is punched.
  4. Unlisted in UL/TÜV.

# J300 SERIES/J310D

## Header (Top entry type)



No. of circuits	Keying	Model No.	Dimensions (mm)			Q'ty/box
			A	B	C	
6	—	B06B-F31DK-GGR	7.62	13.97	21.62	132
8	—	B08B-F31DK-GGR	11.43	17.78	25.43	108
10	—	B10B-F31DK-GGR	15.24	21.59	29.24	96
12	—	B12B-F31DK-GGR	19.05	25.40	33.05	84
16	—	B16B-F31DK-GGR	26.67	33.02	40.67	72
20	—	B20B-F31DK-GGR	34.29	40.64	48.29	60

### Material and Finish

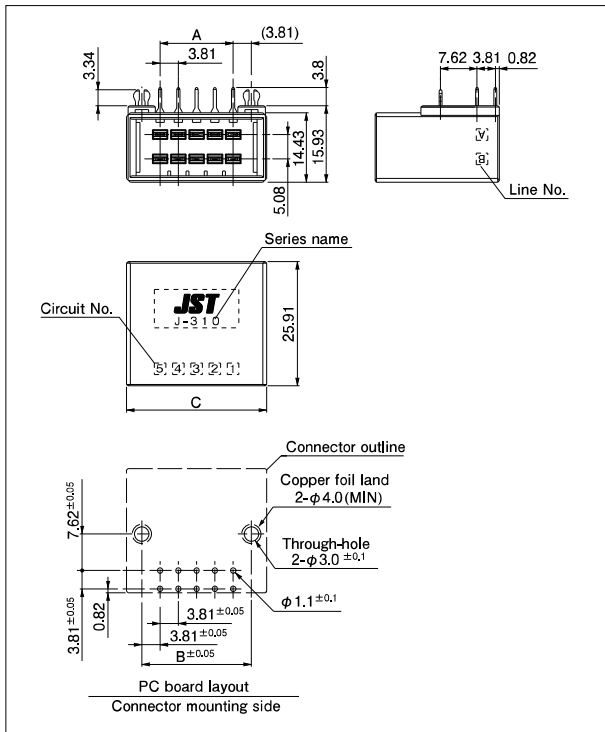
Tab contact: Copper alloy, nickel-undercoated, selective gold-plated  
Housing: Glass-filled PBT, UL94V-0, black  
Reinforcement: Copper alloy, nickel-undercoated, selective gold-plated

RoHS2 compliance This product displays (LF)(AU) on a label.

Note: 1. Contact JST about the headers supplied in magazine stick.

2. Contact JST about 0.76 μm gold-plated product and tin-plated product.

## Header (Side entry type)



No. of circuits	Keying	Model No.	Dimensions (mm)			Q'ty/box
			A	B	C	
6	—	S06B-F31DK-GGR	7.62	15.24	21.62	88
8	—	S08B-F31DK-GGR	11.43	19.05	25.43	72
10	—	S10B-F31DK-GGR	15.24	22.86	29.24	64
12	—	S12B-F31DK-GGR	19.05	26.67	33.05	56
16	—	S16B-F31DK-GGR	26.67	34.29	40.67	48
20	—	S20B-F31DK-GGR	34.29	41.91	48.29	40

### Material and Finish

Tab contact: Copper alloy, nickel-undercoated, selective gold-plated  
Housing: Glass-filled PBT, UL94V-0, black  
Reinforcement: Copper alloy, nickel-undercoated, selective gold-plated

RoHS2 compliance This product displays (LF)(AU) on a label.

Note: 1. Contact JST about the headers supplied in magazine stick.

2. Contact JST about 0.76 μm gold-plated product and tin-plated product.

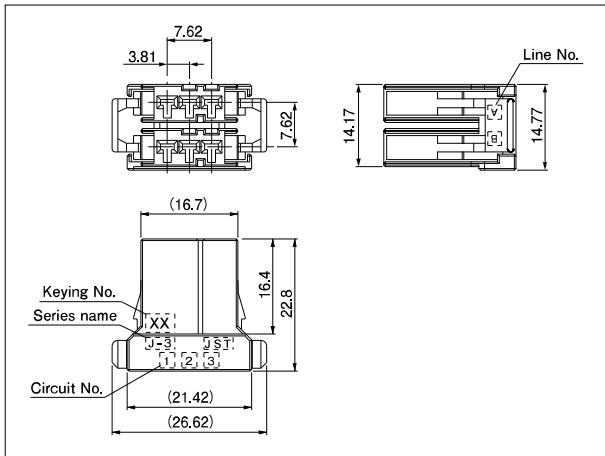
# J300 SERIES/J310M

## Assembly layout

		When mating with J310M receptacle	When mating with J310S receptacle modular
Wire-to-board	Top entry type		
	Side entry type		

# J300 SERIES/J310M

## Receptacle housing



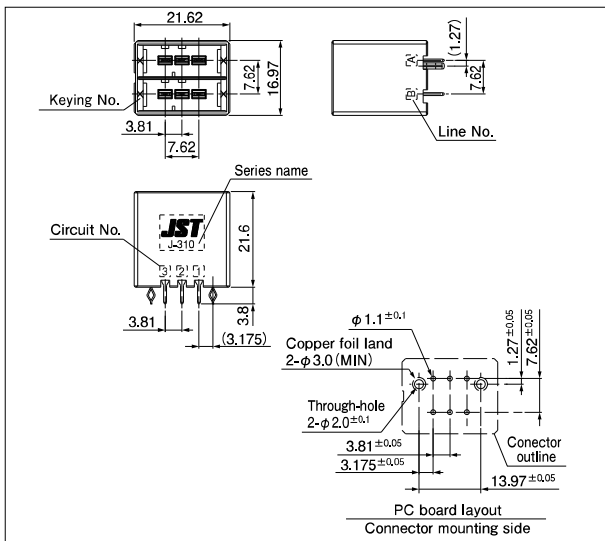
No. of circuits	Keying	Model No.	Q'ty/bag
6	XX	F31FMS-06V-KXX	100
	YY	F31FMS-06V-KYY	100
	XY	F31FMS-06V-KXY	100

### Material and Finish

Glass-filled PBT, UL94V-0, black

RoHS2 compliance

## Header (Top entry type)



No. of circuits	Keying	Model No.	Q'ty/box
6	XX	B06B-F31MK-GGXRR	132
	YY	B06B-F31MK-GGYRR	132
	XY	B06B-F31MK-GGXRR	132

### Material and Finish

Tab contact: Copper alloy, nickel-undercoated, selective gold-plated

Housing: Glass-filled PBT, UL94V-0, black

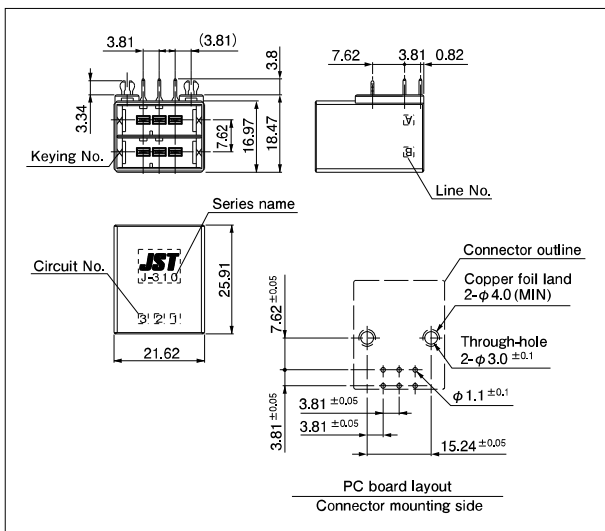
Reinforcement: Copper alloy, nickel-undercoated, selective gold-plated

RoHS2 compliance This product displays (LF)(AU) on a label.

Note: 1. Contact JST about the headers supplied in magazine stick.

2. Contact JST about 0.76 μm gold-plated product and tin-plated product.

## Header (Side entry type)



No. of circuits	Keying	Model No.	Q'ty/box
6	XX	S06B-F31MK-GGXRR	88
	YY	S06B-F31MK-GGYRR	88
	XY	S06B-F31MK-GGXRR	88

### Material and Finish

Tab contact: Copper alloy, nickel-undercoated, selective gold-plated

Housing: Glass-filled PBT, UL94V-0, black

Reinforcement: Copper alloy, nickel-undercoated, selective gold-plated

RoHS2 compliance This product displays (LF)(AU) on a label.

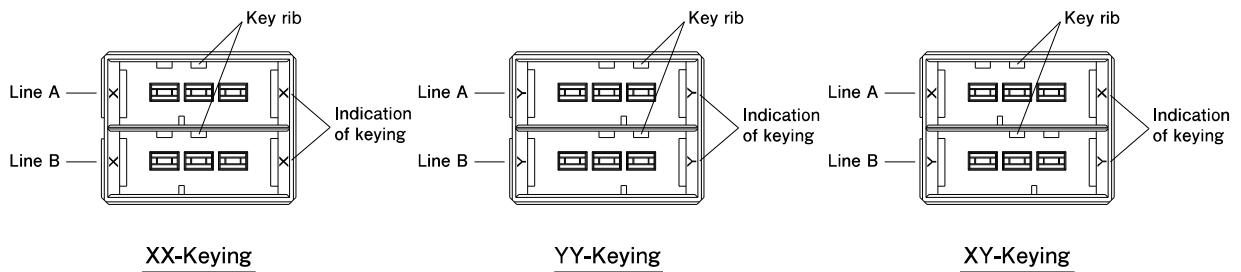
Note: 1. Contact JST about the headers supplied in magazine stick.

2. Contact JST about 0.76 μm gold-plated product and tin-plated product.

# J300 SERIES/J310M

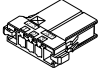
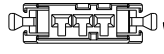




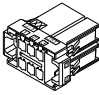
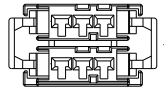
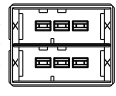
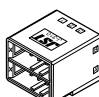
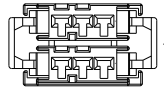
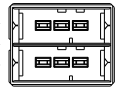
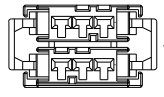
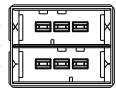
## Keying

J310M series have mis-insertion preventive keying.  
Available in 3 types — XX-Keying, YY-Keying and XY-Keying.  
(Headers viewed from the mating side are shown below.)



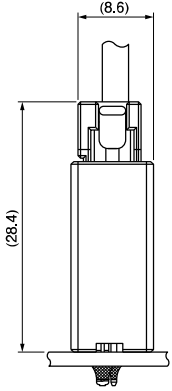
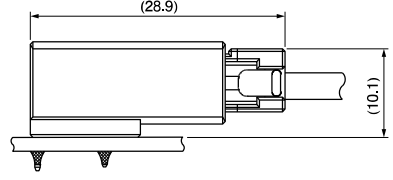
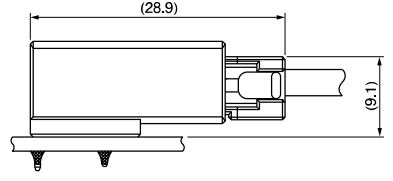
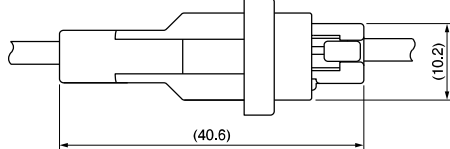
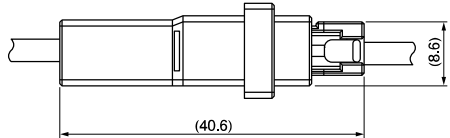
## List of combinations

With the combination of the J310M headers and the J310M/J310S (3 circuits) receptacle housings, the following modular combinations are possible.

Receptacle housing		Header			
		Top entry type		Side entry type	
Single-row 3 circuits (J310S) 	<u>X-Keying</u> F31FSS-03V-KX		Single-row 3 circuits (J310S) 	Single-row 3 circuits (J310S) 	X-Keying S03B-F31SK-GGXR
	<u>Y-Keying</u> F31FSS-03V-KY		Single-row 3 circuits (J310S) 	Y-Keying B03B-F31SK-GGYR	Y-Keying S03B-F31SK-GGYR
Dual-row 6 circuits (J310M) 	<u>XX-Keying</u> F31FMS-06V-KXX		Dual-row 6 circuits (J310M) 	Dual-row 6 circuits (J310M) 	XX-Keying S06B-F31MK-GGXR
	<u>YY-Keying</u> F31FMS-06V-KYY		Dual-row 6 circuits (J310M) 	YY-Keying B06B-F31MK-GGYR	YY-Keying S06B-F31MK-GGYR
	<u>XY-Keying</u> F31FMS-06V-KXY		Dual-row 6 circuits (J310M) 	XY-Keying B06B-F31MK-GGYR	XY-Keying S06B-F31MK-GGYR

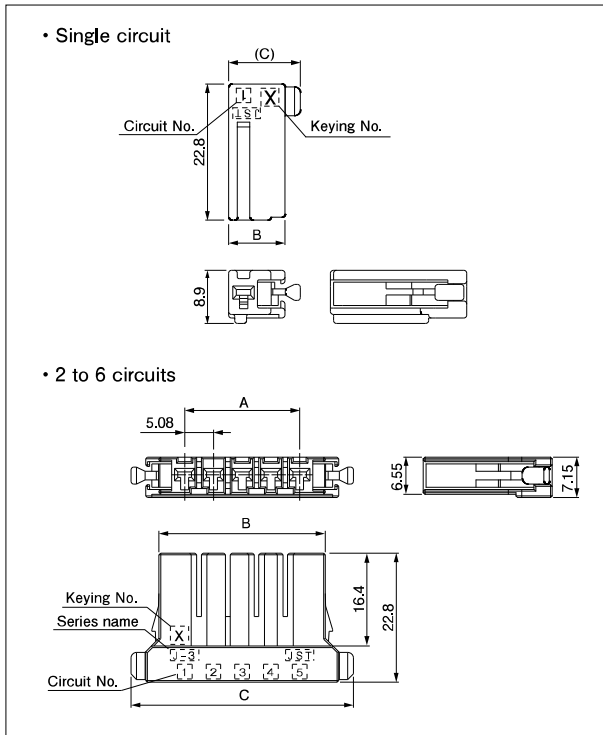
# J300 SERIES/J320S

## Assembly layout

<p>Wire-to-board</p>	<p>&lt;Top entry type&gt;</p> 	<p>&lt;Side entry type&gt;</p> <ul style="list-style-type: none"> <li>• Normal type</li> </ul>  <ul style="list-style-type: none"> <li>• Reverse type</li> </ul> 
<p>Wire-to-wire</p>	<p>&lt;Free hanging type / Panel mounting type (Screw type, Housing lock type)&gt;</p> <ul style="list-style-type: none"> <li>• Single circuit</li> </ul>  <ul style="list-style-type: none"> <li>• 2 to 4 circuits</li> </ul> 	

# J300 SERIES/J320S

## Receptacle housing



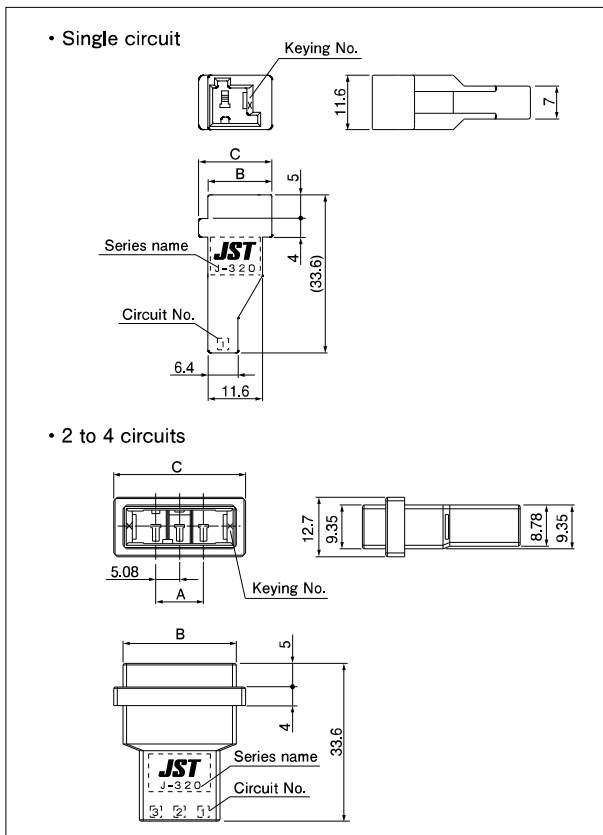
No. of circuits	Keying	Model No.	Dimensions (mm)			Q'ty/bag
			A	B	C	
1	X	F32FSS-01V-KX	—	9.40	12.00	200
	Y	F32FSS-01V-KY	—	9.40	12.00	200
2	X	F32FSS-02V-KX	5.08	14.16	24.08	200
	Y	F32FSS-02V-KY	5.08	14.16	24.08	200
3	X	F32FSS-03V-KX	10.16	19.24	29.16	200
	Y	F32FSS-03V-KY	10.16	19.24	29.16	200
4	X	F32FSS-04V-KX	15.24	24.32	34.24	200
	Y	F32FSS-04V-KY	15.24	24.32	34.24	200
5	X	F32FSS-05V-KX	20.32	29.40	39.32	200
	Y	F32FSS-05V-KY	20.32	29.40	39.32	200
6	X	F32FSS-06V-KX	25.40	34.48	44.40	100
	Y	F32FSS-06V-KY	25.40	34.48	44.40	100

### Material and Finish

Glass-filled PBT, UL94V-0, black

RoHS2 compliance

## Tab housing (Free hanging type)



No. of circuits	Keying	Model No.	Dimensions (mm)			Q'ty/bag
			A	B	C	
1	X	F32MSF-01V-KX	—	13.60	15.60	150
	Y	F32MSF-01V-KY	—	13.60	15.60	150
2	X	F32MSF-02V-KX	5.08	19.08	23.03	200
	Y	F32MSF-02V-KY	5.08	19.08	23.03	200
3	X	F32MSF-03V-KX	10.16	24.16	28.11	200
	Y	F32MSF-03V-KY	10.16	24.16	28.11	200
4	X	F32MSF-04V-KX	15.24	29.24	33.19	200
	Y	F32MSF-04V-KY	15.24	29.24	33.19	200

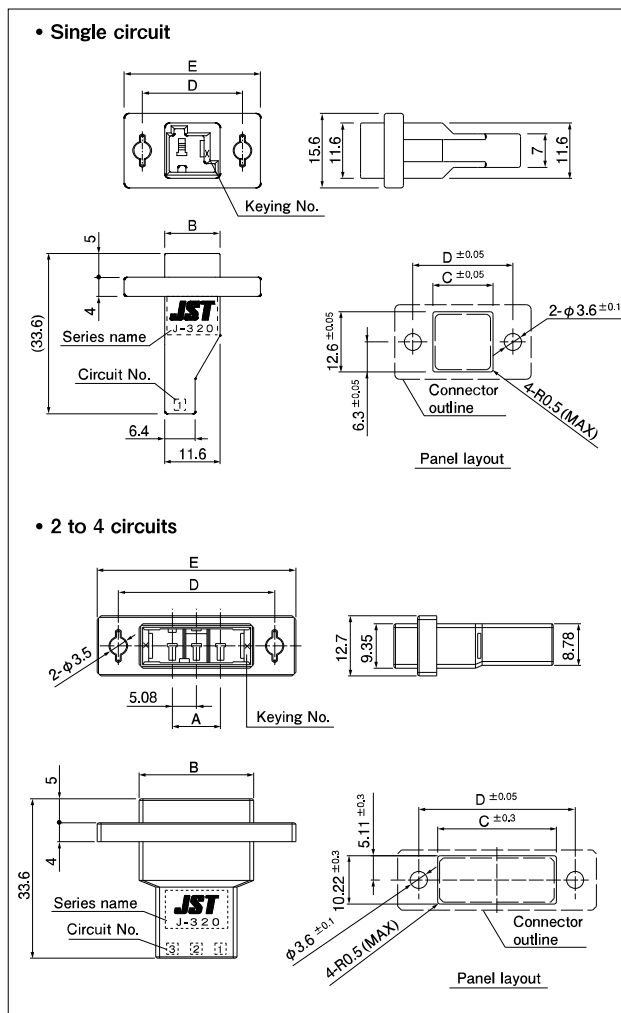
### Material and Finish

Glass-filled PBT, UL94V-0, black

RoHS2 compliance

# J300 SERIES/J320S

## Tab housing (Panel mounting type)



No. of circuits	Keying	Model No.	Dimensions (mm)					Q'ty /bag
			A	B	C	D	E	
1	X	F32MSP-01V-KX	—	11.60	12.60	21.00	28.60	150
	Y	F32MSP-01V-KY	—	11.60	12.60	21.00	28.60	150
2	X	F32MSP-02V-KX	5.08	19.08	20.00	28.00	36.83	200
	Y	F32MSP-02V-KY	5.08	19.08	20.00	28.00	36.83	200
3	X	F32MSP-03V-KX	10.16	24.16	25.00	33.00	41.91	200
	Y	F32MSP-03V-KY	10.16	24.16	25.00	33.00	41.91	200
4	X	F32MSP-04V-KX	15.24	29.24	30.00	38.00	46.99	200
	Y	F32MSP-04V-KY	15.24	29.24	30.00	38.00	46.99	200

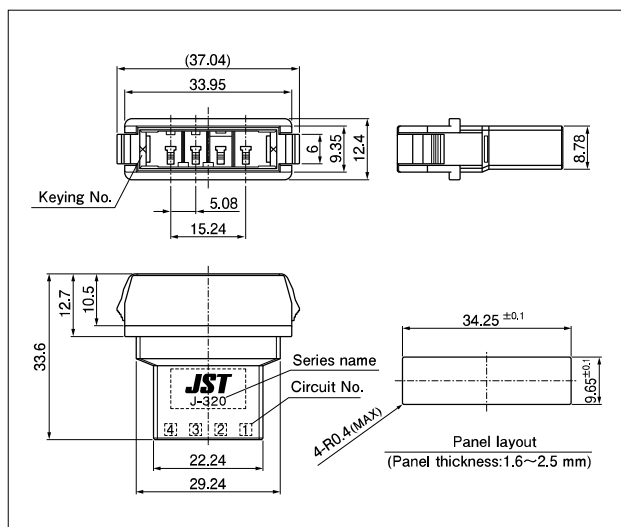
### Material and Finish

Glass-filled PBT, UL94V-0, black

### RoHS2 compliance

- Note: 1. Punch holes in the panel. Burrs must be removed.  
 2. The strength of the panel must be considered when punching two or more holes.  
 3. The connector must be inserted from the same side as the hole is punched.

## Tab housing (Panel mounting type Housing lock type)



No. of circuits	Keying	Model No.	Q'ty/bag
4	X	F32MSPL-04V-KX	90

### Material and Finish

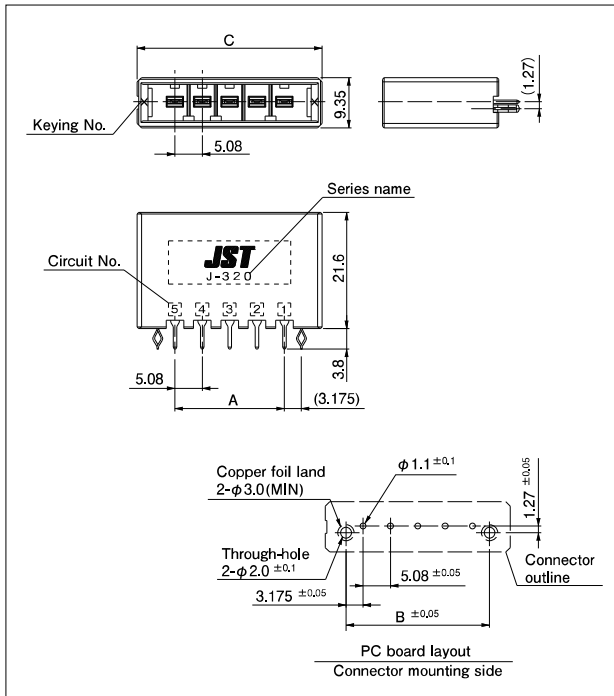
Glass-filled PBT, UL94V-0, black

### RoHS2 compliance

- Note: 1. Punch holes in the panel. Burrs must be removed.  
 2. The strength of the panel must be considered when punching two or more holes.  
 3. The connector must be inserted from the same side as the hole is punched.  
 4. Unlisted in TÜV.

# J300 SERIES/J320S

## Header (Top entry type)



No. of circuits	Keying	Model No.	Dimensions (mm)			Q'ty/box
			A	B	C	
2	X	B02B-F32SK-GGXR	5.08	11.43	19.08	240
	Y	B02B-F32SK-GGYR	5.08	11.43	19.08	240
3	X	B03B-F32SK-GGXR	10.16	16.51	24.16	200
	Y	B03B-F32SK-GGYR	10.16	16.51	24.16	200
4	X	B04B-F32SK-GGXR	15.24	21.59	29.24	160
	Y	B04B-F32SK-GGYR	15.24	21.59	29.24	160
5	X	B05B-F32SK-GGXR	20.32	26.67	34.32	140
	Y	B05B-F32SK-GGYR	20.32	26.67	34.32	140
6	X	B06B-F32SK-GGXR	25.40	31.75	39.40	120
	Y	B06B-F32SK-GGYR	25.40	31.75	39.40	120

### Material and Finish

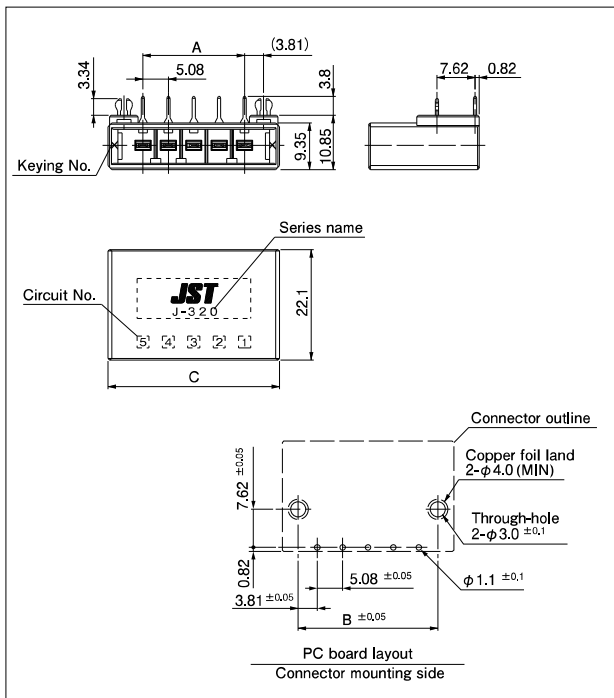
Tab contact: Copper alloy, nickel-undercoated, selective gold-plated  
Housing: Glass-filled PBT, UL94V-0, black  
Reinforcement: Copper alloy, nickel-undercoated, selective gold-plated

RoHS2 compliance This product displays (LF)(AU) on a label.

Note: 1. Contact JST about the headers supplied in magazine stick.

2. Contact JST about 0.76 μm gold-plated product and tin-plated product.

## Header (Side entry type)



No. of circuits	Keying	Model No.	Dimensions (mm)			Q'ty/box
			A	B	C	
2	X	S02B-F32SK-GGXR	5.08	12.70	19.08	180
	Y	S02B-F32SK-GGYR	5.08	12.70	19.08	180
3	X	S03B-F32SK-GGXR	10.16	17.78	24.16	150
	Y	S03B-F32SK-GGYR	10.16	17.78	24.16	150
4	X	S04B-F32SK-GGXR	15.24	22.86	29.24	120
	Y	S04B-F32SK-GGYR	15.24	22.86	29.24	120
5	X	S05B-F32SK-GGXR	20.32	27.94	34.32	105
	Y	S05B-F32SK-GGYR	20.32	27.94	34.32	105
6	X	S06B-F32SK-GGXR	25.40	33.02	39.40	90
	Y	S06B-F32SK-GGYR	25.40	33.02	39.40	90

### Material and Finish

Tab contact: Copper alloy, nickel-undercoated, selective gold-plated  
Housing: Glass-filled PBT, UL94V-0, black  
Reinforcement: Copper alloy, nickel-undercoated, selective gold-plated

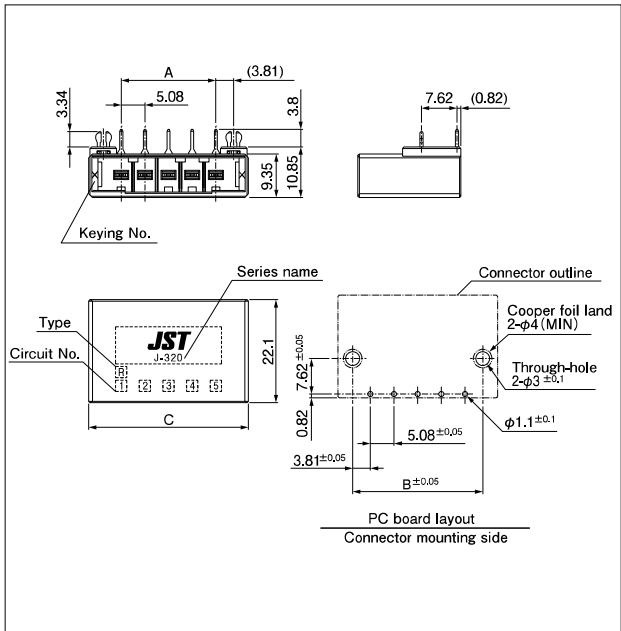
RoHS2 compliance This product displays (LF)(AU) on a label.

Note: 1. Contact JST about the headers supplied in magazine stick.

2. Contact JST about 0.76 μm gold-plated product and tin-plated product.

# J300 SERIES/J320S

## Header (Side entry type Reverse type)



No. of circuits	Keying	Model No.	Dimensions (mm)			Q'ty /box
			A	B	C	
5	X	SR05B-F32SK-GGXR	20.32	27.94	34.32	105
6	X	SR06B-F32SK-GGXR	25.40	33.02	39.40	90

### Material and Finish

Tab contact: Copper alloy, nickel-undercoated, selective gold-plated  
Housing: Glass-filled PBT, UL94V-0, black  
Reinforcement: Copper alloy, nickel-undercoated, selective gold-plated

**RoHS2 compliance** This product displays (LF)(AU) on a label.  
Note: 1. Contact JST about the headers supplied in magazine stick.  
2. Contact JST about 0.76 μm gold-plated product and tin-plated product  
3. Unlisted in TÜV.

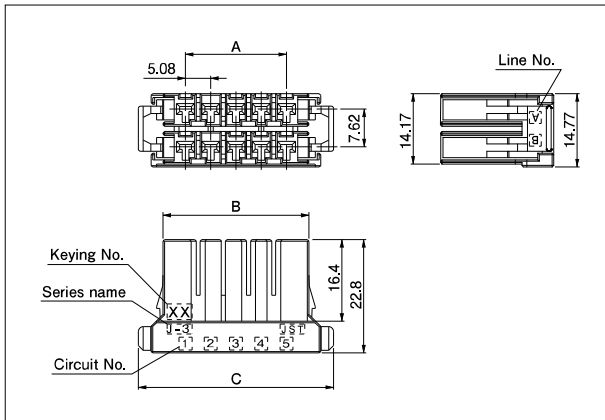
# J300 SERIES/J320M

## Assembly layout

		When mating with J320M receptacle	When mating with J320S receptacle modular
Wire-to-board	Top entry type		
	Side entry type		
Wire-to-wire	Free hanging type / Panel mounting type		

# J300 SERIES/J320M

## Receptacle housing



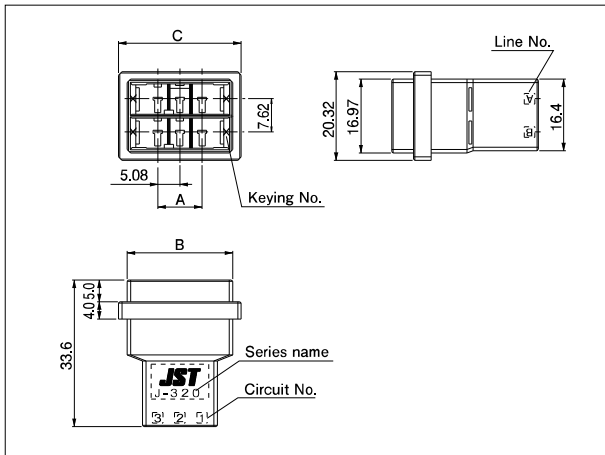
No. of circuits	Keying	Model No.	Dimensions (mm)			Q'ty /bag
			A	B	C	
6	XX	F32FMS-06V-KXX	10.16	19.24	29.16	100
	YY	F32FMS-06V-KYY	10.16	19.24	29.16	100
	XY	F32FMS-06V-KXY	10.16	19.24	29.16	100
10	XX	F32FMS-10V-KXX	20.32	29.40	39.32	100
	YY	F32FMS-10V-KYY	20.32	29.40	39.32	100
	XY	F32FMS-10V-KXY	20.32	29.40	39.32	100
12	XX	F32FMS-12V-KXX	25.40	34.48	44.40	100
	YY	F32FMS-12V-KYY	25.40	34.48	44.40	100
	XY	F32FMS-12V-KXY	25.40	34.48	44.40	100
20	XX	F32FMS-20V-KXX	45.72	54.80	64.72	84(box)

### Material and Finish

Glass-filled PBT, UL94V-0, black

RoHS2 compliance

## Tab housing (Free hanging type)



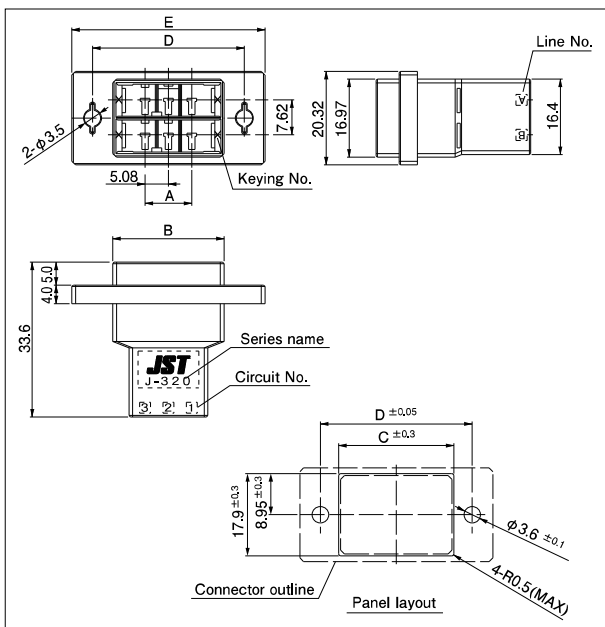
No. of circuits	Keying	Model No.	Dimensions (mm)			Q'ty /bag
			A	B	C	
6	XX	F32MDF-06V-KXX	10.16	24.16	28.11	100
	YY	F32MDF-06V-KYY	10.16	24.16	28.11	100
	XY	F32MDF-06V-KXY	10.16	24.16	28.11	100
12	XX	F32MDF-12V-KXX	25.40	39.40	43.35	100
	YY	F32MDF-12V-KYY	25.40	39.40	43.35	100
	XY	F32MDF-12V-KXY	25.40	39.40	43.35	100

### Material and Finish

Glass-filled PBT, UL94V-0, black

RoHS2 compliance

## Tab housing (Panel mounting type)



No. of circuits	Keying	Model No.	Dimensions (mm)					Q'ty /bag
			A	B	C	D	E	
6	XX	F32MDP-06V-KXX	10.16	24.16	25.00	33.00	41.91	100
	YY	F32MDP-06V-KYY	10.16	24.16	25.00	33.00	41.91	100
	XY	F32MDP-06V-KXY	10.16	24.16	25.00	33.00	41.91	100
12	XX	F32MDP-12V-KXX	25.40	39.40	41.00	49.00	57.91	100
	YY	F32MDP-12V-KYY	25.40	39.40	41.00	49.00	57.91	100
	XY	F32MDP-12V-KXY	25.40	39.40	41.00	49.00	57.91	100
20	XX	F32MDP-20V-KXX	45.72	59.72	61.00	70.00	78.23	42(box)

### Material and Finish

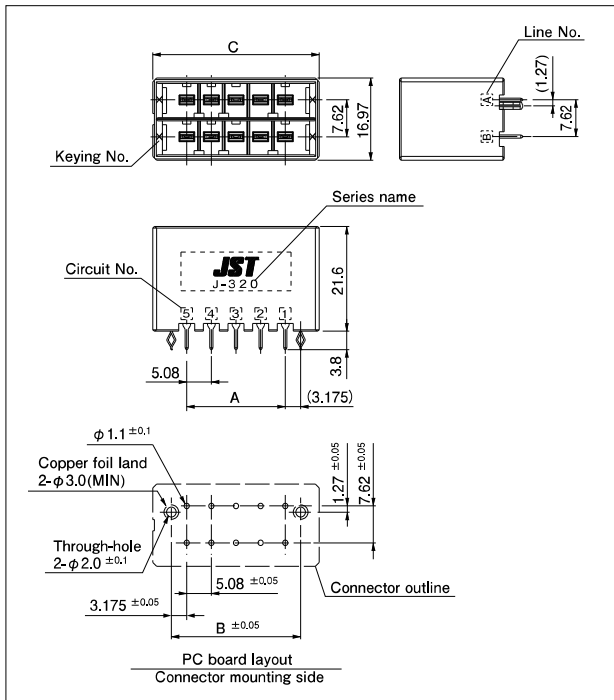
Glass-filled PBT, UL94V-0, black

RoHS2 compliance

- Note: 1. Punch holes in the panel. Burrs must be removed.  
 2. The strength of the panel must be considered when punching two or more holes.  
 3. The connector must be inserted from the same side as the hole is punched.

# J300 SERIES/J320M

## Header (Top entry type)



No. of circuits	Keying	Model No.	Dimensions (mm)			Q'ty /box
			A	B	C	
6	XX	B06B-F32MK-GGXRR	10.16	16.51	24.16	120
	YY	B06B-F32MK-GGYRR	10.16	16.51	24.16	120
	XY	B06B-F32MK-GGXRR	10.16	16.51	24.16	120
10	XX	B10B-F32MK-GGXRR	20.32	26.67	34.32	84
	YY	B10B-F32MK-GGYRR	20.32	26.67	34.32	84
	XY	B10B-F32MK-GGXRR	20.32	26.67	34.32	84
12	XX	B12B-F32MK-GGXRR	25.40	31.75	39.40	72
	YY	B12B-F32MK-GGYRR	25.40	31.75	39.40	72
	XY	B12B-F32MK-GGXRR	25.40	31.75	39.40	72

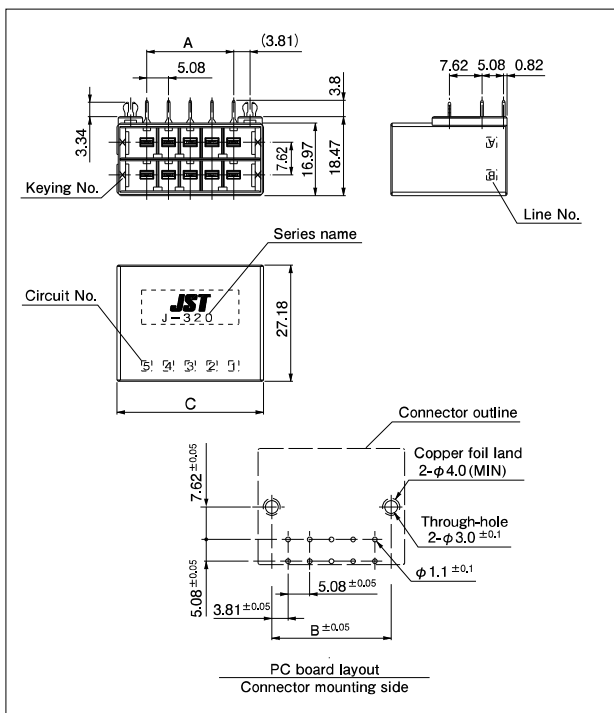
### Material and Finish

Tab contact: Copper alloy, nickel-undercoated, selective gold-plated  
Housing: Glass-filled PBT, UL94V-0, black  
Reinforcement: Copper alloy, nickel-undercoated, selective gold-plated

RoHS2 compliance This product displays (LF)(AU) on a label.

Note: 1. Contact JST about the headers supplied in magazine stick.  
2. Contact JST about 0.76 μm gold-plated product and tin-plated product.

## Header (Side entry type)



No. of circuits	Keying	Model No.	Dimensions (mm)			Q'ty /box
			A	B	C	
6	XX	S06B-F32MK-GGXRR	10.16	17.78	24.16	80
	YY	S06B-F32MK-GGYRR	10.16	17.78	24.16	80
	XY	S06B-F32MK-GGXRR	10.16	17.78	24.16	80
8	XY	S08B-F32MK-GGXRR	15.24	22.86	29.24	64
	XX	S10B-F32MK-GGXRR	20.32	27.94	34.32	56
10	YY	S10B-F32MK-GGYRR	20.32	27.94	34.32	56
	XY	S10B-F32MK-GGXRR	20.32	27.94	34.32	56
12	XX	S12B-F32MK-GGXRR	25.40	33.02	39.40	48
	YY	S12B-F32MK-GGYRR	25.40	33.02	39.40	48
	XY	S12B-F32MK-GGXRR	25.40	33.02	39.40	48

### Material and Finish

Tab contact: Copper alloy, nickel-undercoated, selective gold-plated  
Housing: Glass-filled PBT, UL94V-0, black  
Reinforcement: Copper alloy, nickel-undercoated, selective gold-plated

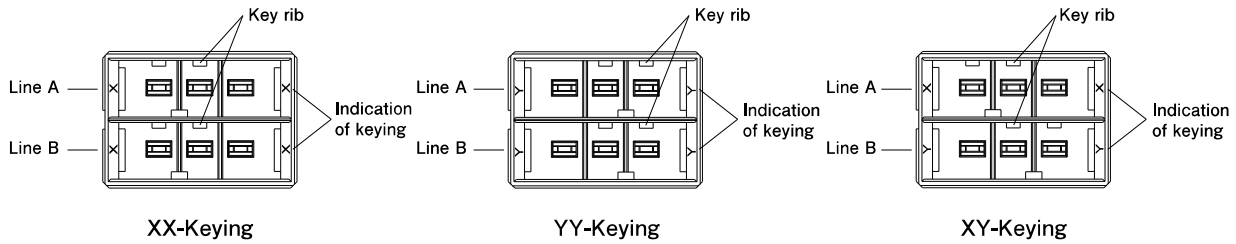
RoHS2 compliance This product displays (LF)(AU) on a label.

Note: 1. Contact JST about the headers supplied in magazine stick.  
2. Contact JST about 0.76 μm gold-plated product and tin-plated product.

# J300 SERIES/J320M

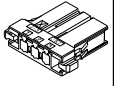




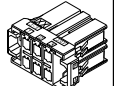
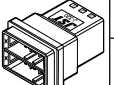
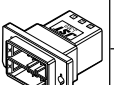

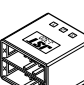
## Keying

J320M series have mis-insertion preventive keying.  
Available in 3 types — XX-Keying, YY-Keying and XY-Keying.  
(Headers viewed from the mating side are shown below.)



## List of combinations

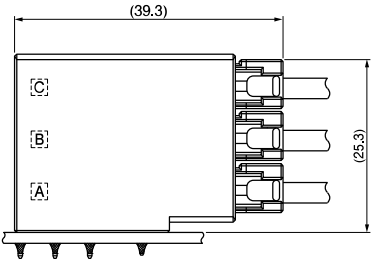
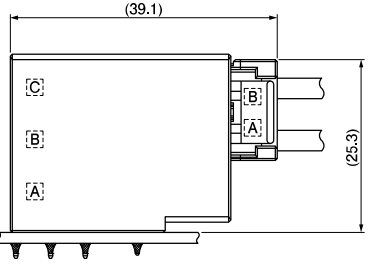
With the combination of the J320M headers and the J320M/J320S receptacle housings, the following modular combinations are possible.

Receptacle housing		Tab housing		Header	
<b>Single-row</b> 3, 4, 5, 6 circuits (J320S)  	<b>X-Keying</b> F32FSS-■ V-KX	 Free hanging type  Panel mounting type	<b>X-Keying</b> Free hanging type F32MSF-■ V-KX Panel mounting type F32MSP-■ V-KX	<b>Single-row</b> 3, 4, 5, 6 circuits (J320S)   Top entry type  Side entry type	B■ B-F32SK-GGXR S■ B-F32SK-GGXR
	<b>Y-Keying</b> F32FSS-■ V-KY		<b>Y-Keying</b> Free hanging type F32MSF-■ V-KY Panel mounting type F32MSP-■ V-KY		Top entry type B■ B-F32SK-GGXR Side entry type S■ B-F32SK-GGXR
<b>Dual-row</b> 6,10,12,20 circuits (J320M)  	<b>XX-Keying</b> F32FMS-■ V-KXX	 Free hanging type  Panel mounting type	<b>XX-Keying</b> Free hanging type F32MDF-■ V-KXX Panel mounting type F32MDP-■ V-KXX	<b>Dual-row</b> 6, 8,10,12 circuits (J320M)   Top entry type  Side entry type	B■ B-F32MK-GGXR S■ B-F32MK-GGXR
	<b>YY-Keying</b> F32FMS-■ V-KYY		<b>YY-Keying</b> Free hanging type F32MDF-■ V-KYY Panel mounting type F32MDP-■ V-KYY		Top entry type B■ B-F32MK-GGYYR Side entry type S■ B-F32MK-GGYYR
	<b>XY-Keying</b> F32FMS-■ V-KXY		<b>XY-Keying</b> Free hanging type F32MDF-■ V-KXY Panel mounting type F32MDP-■ V-KXY		Top entry type B■ B-F32MK-GGXYR Side entry type S■ B-F32MK-GGXYR

Note: Number of circuits is indicated in ■.

# J300 SERIES/J320T

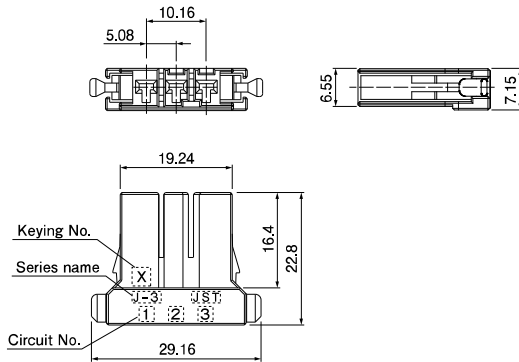
## Assembly layout

		When mating with J320S receptacle	When mating with J320M receptacle
Wire-to-board	Side entry type		

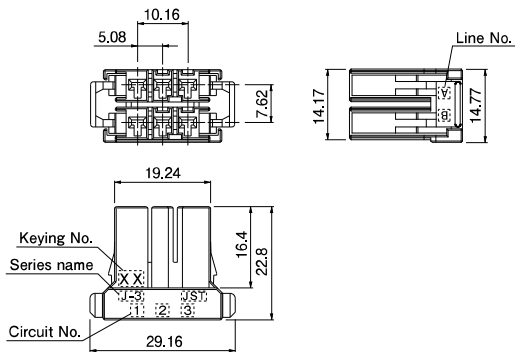
# J300 SERIES/J320T

## Receptacle housing

### Single-row type • 3 circuits



### Dual-row type • 6 circuits



No. of circuits	Keying	Model No.	Q'ty/bag
3	X	F32FSS-03V-KX	200
	Y	F32FSS-03V-KY	200

#### Material

Glass-filled PBT, UL94V-0, black

RoHS2 compliance

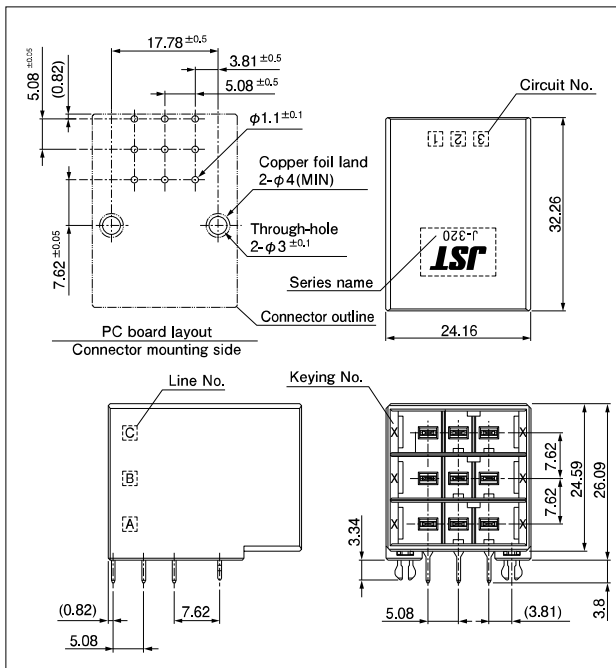
No. of circuits	Keying	Model No.	Q'ty/bag
6	XX	F32FMS-06V-KXX	100
	YY	F32FMS-06V-KYY	100
	XY	F32FMS-06V-KXY	100

#### Material and Finish

Glass-filled PBT, UL94V-0, black

RoHS2 compliance

## Header (Side entry type)



No. of circuits	Keying	Model No.	Q'ty/box
9	XXX	S09B-F32TK-GGXAR	42
	XXY	S09B-F32TK-GGXBR	42
	XYX	S09B-F32TK-GGXCR	42
	YYX	S09B-F32TK-GGXDR	42

#### Material and Finish

Tab contact: Copper alloy, nickel-undercoated, selective gold-plated  
Housing: Glass-filled PBT, UL94V-0, black  
Reinforcement: Copper alloy, nickel-undercoated, selective gold-plated

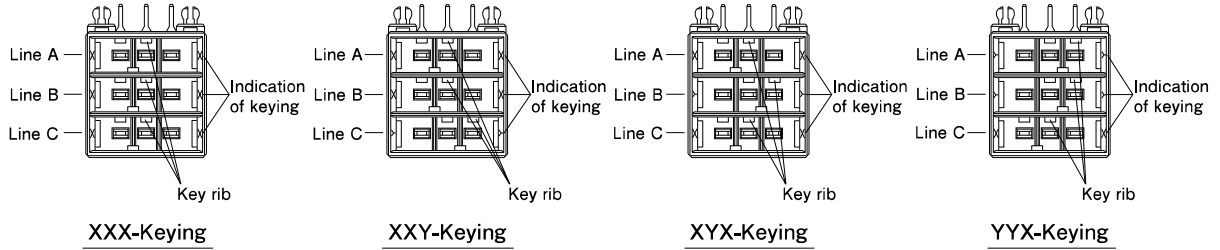
RoHS2 compliance This product displays (LF)(AU) on a label.

Note: Contact JST about 0.76 μm gold-plated product and tin-plated product.

# J300 SERIES/J320T

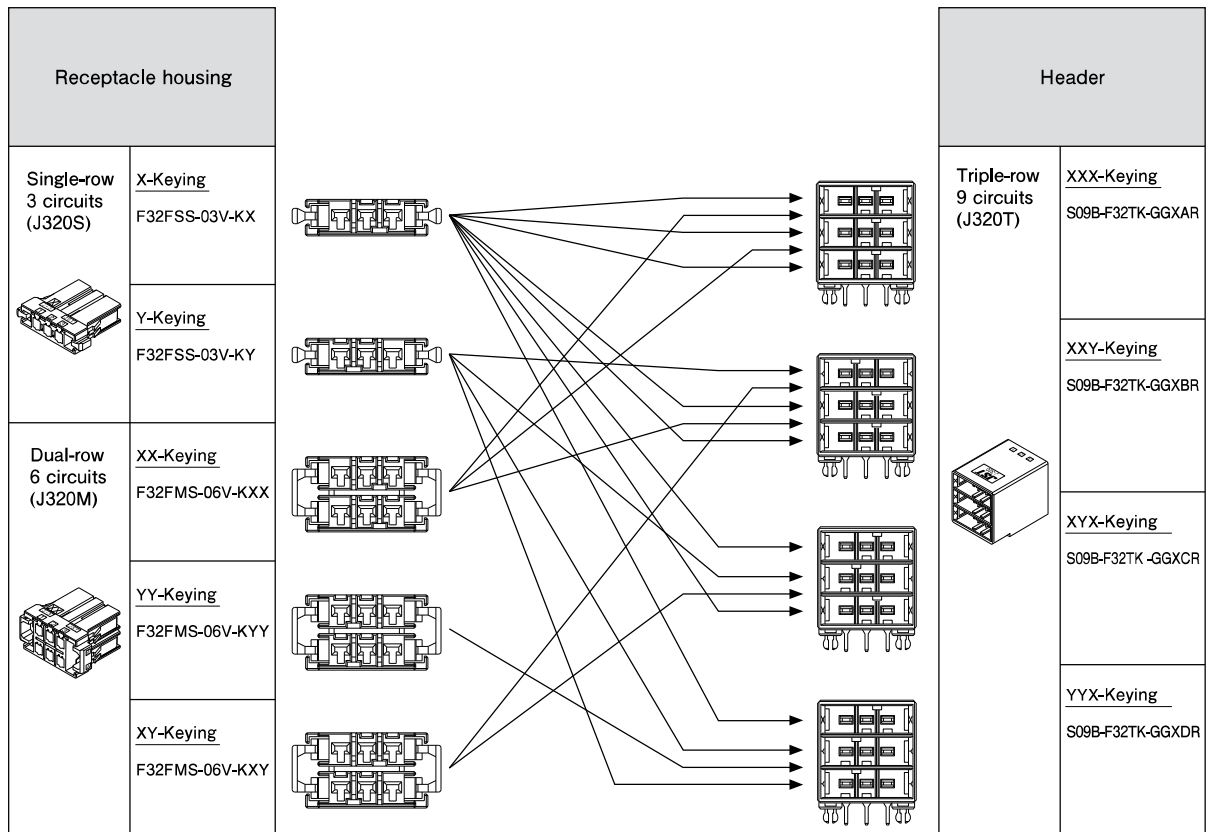
## Keying

J320T series have mis-insertion preventive keying.  
Available in 4 types — XXX-Keying, XXY-Keying, XYX-Keying and YYX-Keying.  
(Headers viewed from the mating side are shown below.)



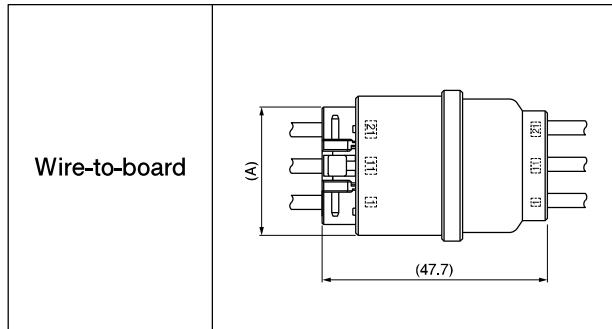
## List of combinations

With the combination of the J320T headers and the J320S/J320M receptacle housings, the following modular combinations are possible.



# J300 SERIES/J330

## Assembly layout



- \* In using the products, refer to "Handling Precautions for Terminals and Connectors" described on our website (Technical documents of Product information page).
- \* Dimensional unit : mm
- \* RoHS2 Compliance
- \* Contact JST for details.

## Specifications

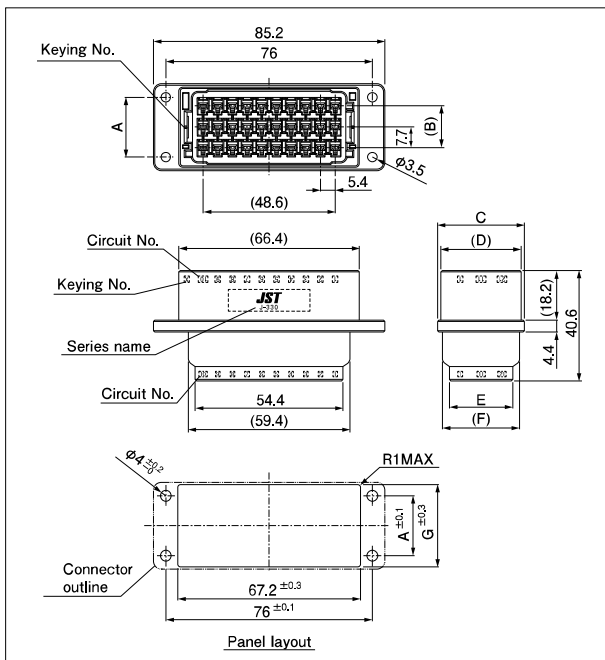
• Current rating: AC/DC

Unit: A

No. of circuits	Wire size (AWG)				Dimensions (mm)	
	#14	#16	#18	#20	A	
30	8.5	7.0	5.5	4.0	27.2	
40	8.5	7.0	5.5	4.0	34.9	

- Voltage rating: 600 V AC/DC
- Temperature range: -55°C to +105°C  
(including temperature rise in applying electrical current)
- Contact resistance: Initial value/ 5 mΩ max.  
After environmental tests/ 10 mΩ max.
- Insulation resistance: 1,000 MΩ min.
- Withstanding voltage: 2,200 VAC/minute
- Applicable wire: AWG #28 to #14

## Receptacle housing (Reverse type Panel mounting type)



No. of circuits	Keying	Model No.	Dimensions (mm)							Q'ty /box
			A	B	C	D	E	F	G	
30	X	F33FRTPA-30V-KX	22.0	15.4	31.9	29.5	23.3	28.3	30.3	56
	Y	F33FRTPA-30V-SY	22.0	15.4	31.9	29.5	23.3	28.3	30.3	56
	Z	F33FRTPA-30V-EZ	22.0	15.4	31.9	29.5	23.3	28.3	30.3	56
40	X	F33FRFPA-40V-KX	29.7	23.1	39.6	37.2	31.0	36.0	38.0	12
	Y	F33FRFPA-40V-SY	29.7	23.1	39.6	37.2	31.0	36.0	38.0	12
	Z	F33FRFPA-40V-EZ	29.7	23.1	39.6	37.2	31.0	36.0	38.0	12
	W	F33FRFPA-40V-MW	29.7	23.1	39.6	37.2	31.0	36.0	38.0	12

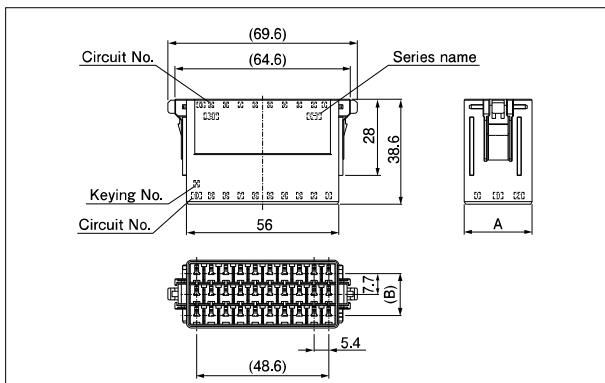
### Material and Finish

Glass-filled PBT, UL94V-0, X-Keying (black), Y-Keying (white), Z-Keying (blue), W-Keying (green)

### RoHS2 compliance

- Note: 1. Punch holes in the panel. Burrs must be removed.  
 2. The strength of the panel must be considered when punching two or more holes.  
 3. The connector must be inserted from the same side as the hole is punched.  
 4. Unlisted in UL/TÜV.

## Tab housing (Reverse type)



No. of circuits	Keying	Model No.	Dimensions (mm)		Q'ty /box
			A	B	
30	X	F33MRTS-30V-KX	24.9	15.4	64
	Y	F33MRTS-30V-SY	24.9	15.4	64
	Z	F33MRTS-30V-EZ	24.9	15.4	64
40	X	F33MRFS-40V-KX	32.6	23.1	64
	Y	F33MRFS-40V-SY	32.6	23.1	64
	Z	F33MRFS-40V-EZ	32.6	23.1	64
	W	F33MRFS-40V-MW	32.6	23.1	64

### Material and Finish

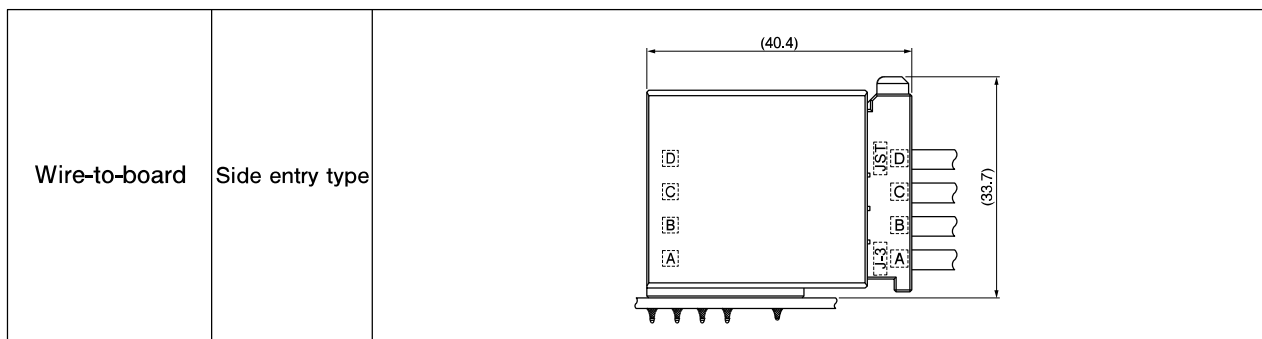
Glass-filled PBT, UL94V-0, X-Keying (black), Y-Keying (white), Z-Keying (blue), W-Keying (green)

### RoHS2 compliance

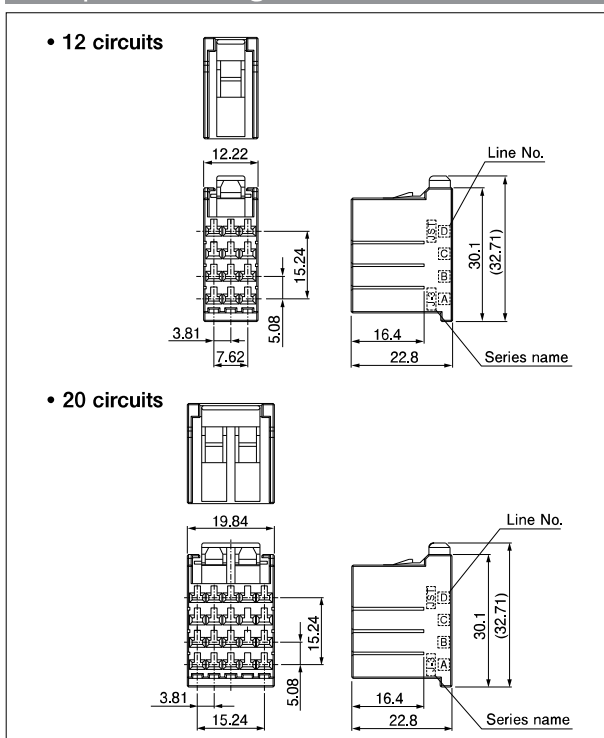
Note: Unlisted in UL/TÜV.

# J300 SERIES/J340F

## Assembly layout



## Receptacle housing



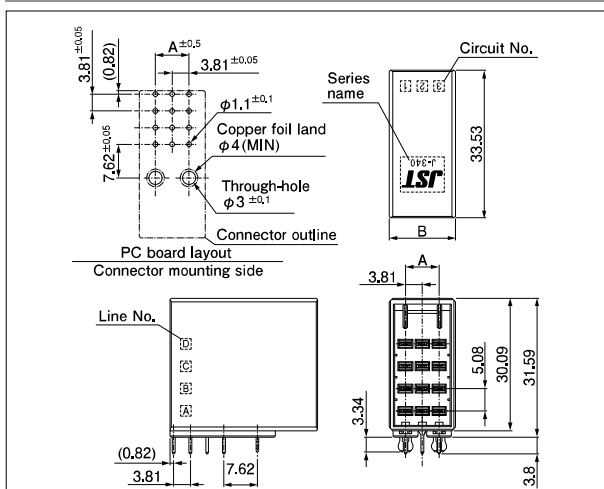
No. of circuits	Keying	Model No.	Q'ty/bag
12	—	F34FFC-12V-K	100
20	—	F34FFC-20V-K	100

### Material and Finish

Glass-filled PBT, UL94V-0, black

RoHS2 compliance

## Header (Side entry type)



No. of circuits	Keying	Model No.	Dimensions (mm)		Q'ty/box
			A	B	
12	—	SC12B-F34FK-GGR	7.62	15.02	63
20	—	SC20B-F34FK-GGR	15.24	22.64	42

### Material and Finish

Tab contact: Copper alloy, nickel-undercoated, selective gold-plated  
Housing: Glass-filled PBT, UL94V-0, black  
Reinforcement: Copper alloy, nickel-undercoated, selective gold-plated

RoHS2 compliance This product displays (LF)(AU) on a label.  
Note: Contact JST about 0.76 μm gold-plated product and tin-plated product.

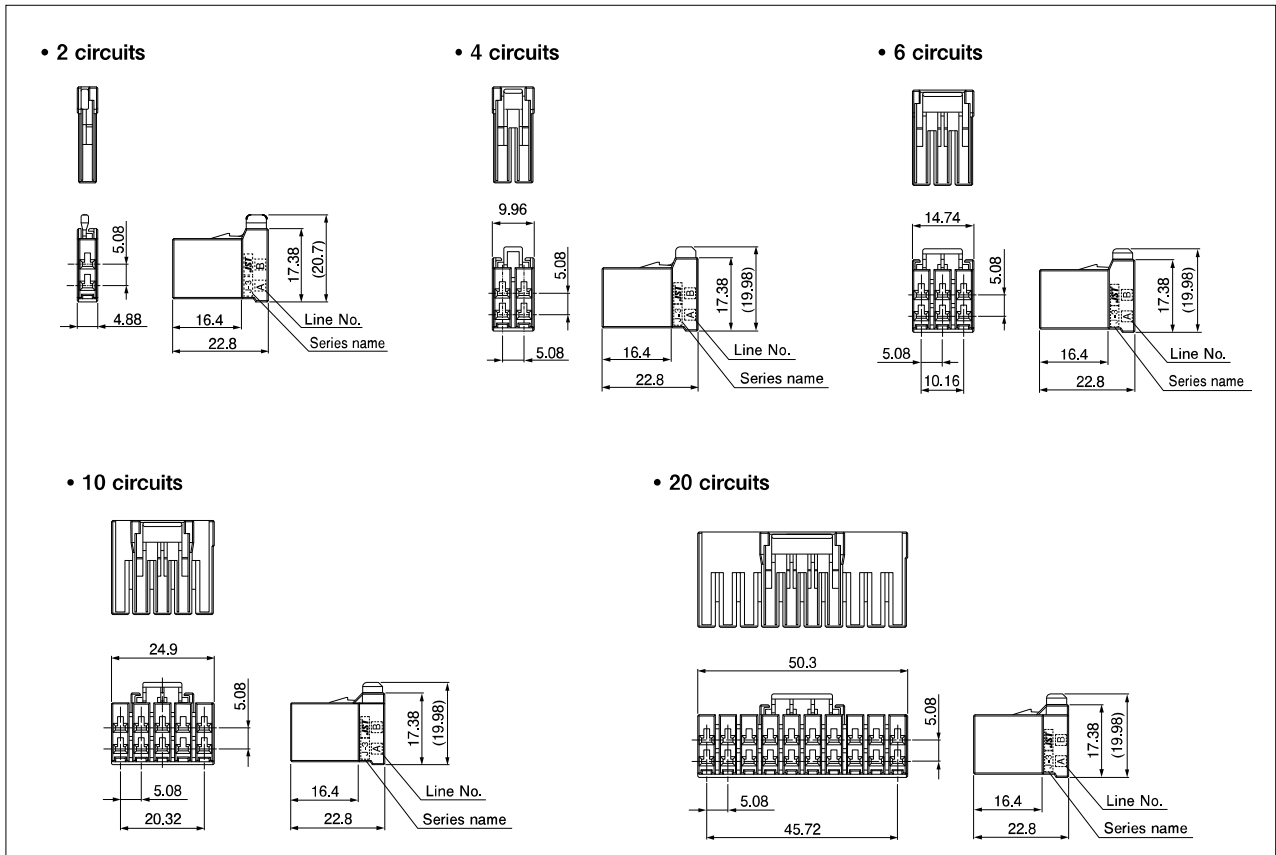
# J300 SERIES/J350D

Assembly layout	
Wire-to-board	<div style="display: flex; justify-content: space-around;"> <div style="text-align: center;"> <p>&lt;Top entry type&gt;</p> </div> <div style="text-align: center;"> <p>&lt;Side entry type&gt;</p> </div> </div>
Wire-to-wire	<p>&lt;Free hanging type / Panel mounting type&gt;</p>

\*When mating with receptacle housing (2-circuit)

# J300 SERIES/J350D

## Receptacle housing



No. of circuits	Keying	Model No.	Q'ty/bag
2	—	F35FDC-02V-K	200
4	—	F35FDC-04V-K	200
6	—	F35FDC-06V-K	200
10	—	F35FDC-10V-K	100

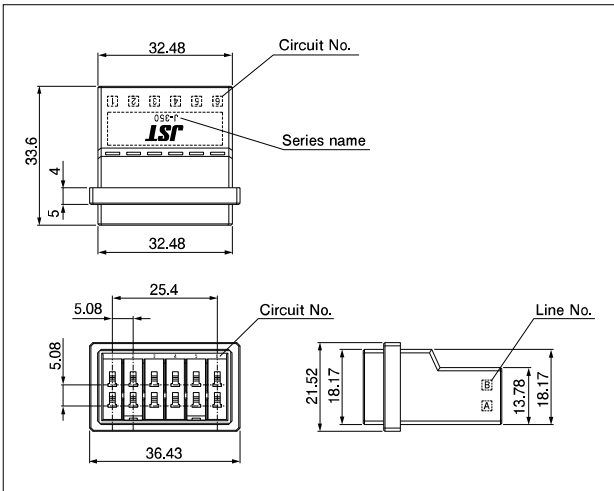
### Material and Finish

Glass-filled PBT, UL94V-0, black

RoHS2 compliance

# J300 SERIES/J350D

## Tab housing (Free hanging type)



No. of circuits	Keying	Model No.	Q'ty/box
12	—	F35MDF-12V-K	50

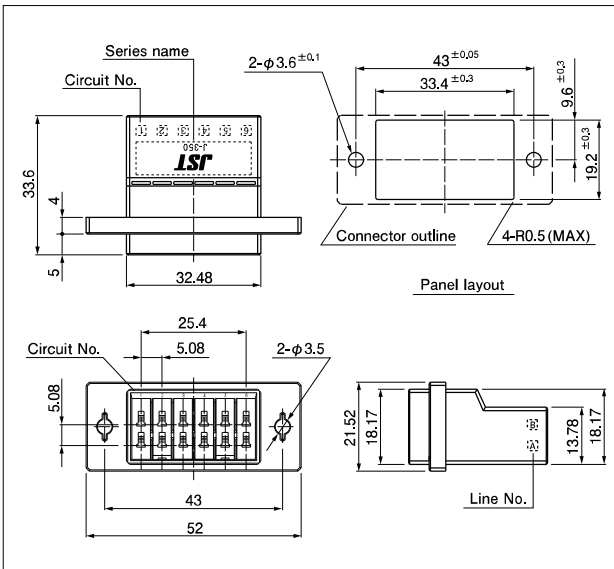
### Material and Finish

Glass-filled PBT, UL94V-0, black

### RoHS2 compliance

Note: Unlisted in TÜV.

## Tab housing (Panel mounting type)



No. of circuits	Keying	Model No.	Q'ty/box
12	—	F35MDP-12V-K	41

### Material and Finish

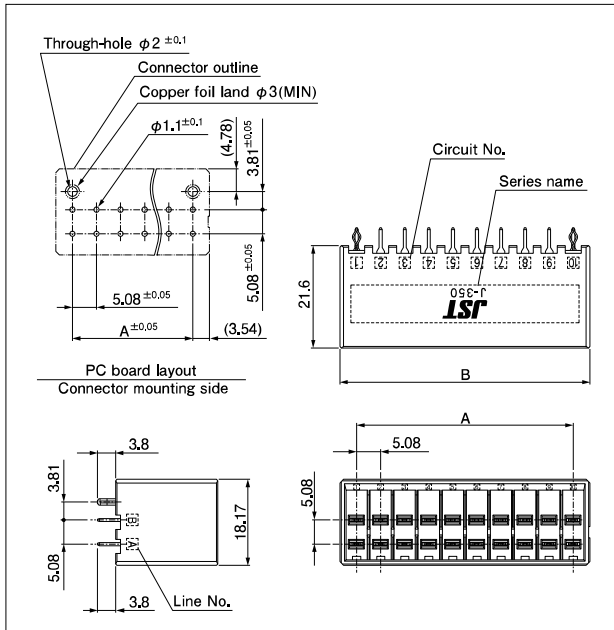
Glass-filled PBT, UL94V-0, black

### RoHS2 compliance

- Note:
1. Punch holes in the panel. Burrs must be removed.
  2. The strength of the panel must be considered when punching two or more holes.
  3. The connector must be inserted from the same side as the hole is punched.
  4. Unlisted in TÜV.

# J300 SERIES/J350D

## Header (Top entry type)



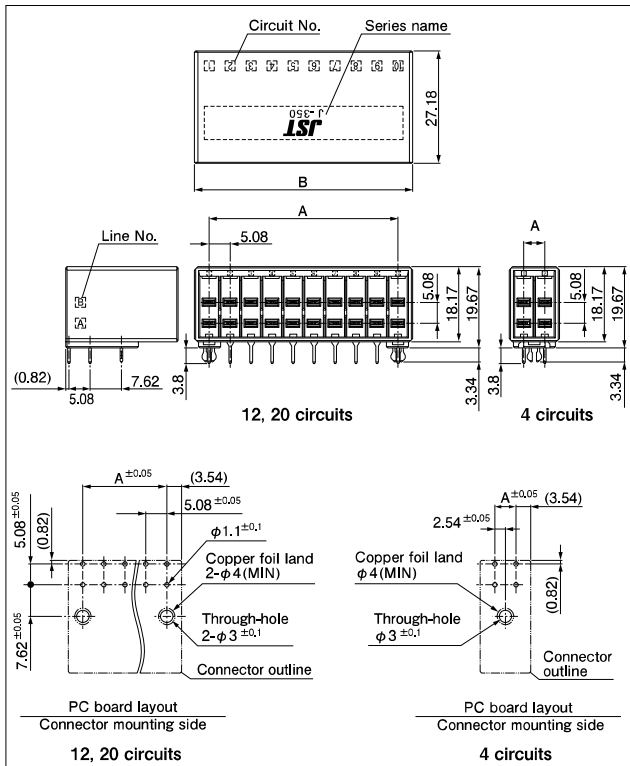
No. of circuits	Keying	Model No.	Dimensions (mm)		Q'ty/box
			A	B	
12	—	BC12B-F35DK-GGR	25.40	32.48	56
20	—	BC20B-F35DK-GGR	45.72	52.80	32

### Material and Finish

Tab contact: Copper alloy, nickel-undercoated, selective gold-plated  
Housing: Glass-filled PBT, UL94V-0, black  
Reinforcement: Copper alloy, nickel-undercoated, selective gold-plated

RoHS2 compliance This product displays (LF)(AU) on a label.  
Note: Contact JST about 0.76  $\mu\text{m}$  gold-plated product and tin-plated product.

## Header (Side entry type)



No. of circuits	Keying	Model No.	Dimensions (mm)		Q'ty/box
			A	B	
4	—	SC04B-F35DK-GGR	5.08	12.16	152
12	—	SC12B-F35DK-GGR	25.40	32.48	56
20	—	SC20B-F35DK-GGR	45.72	52.80	32

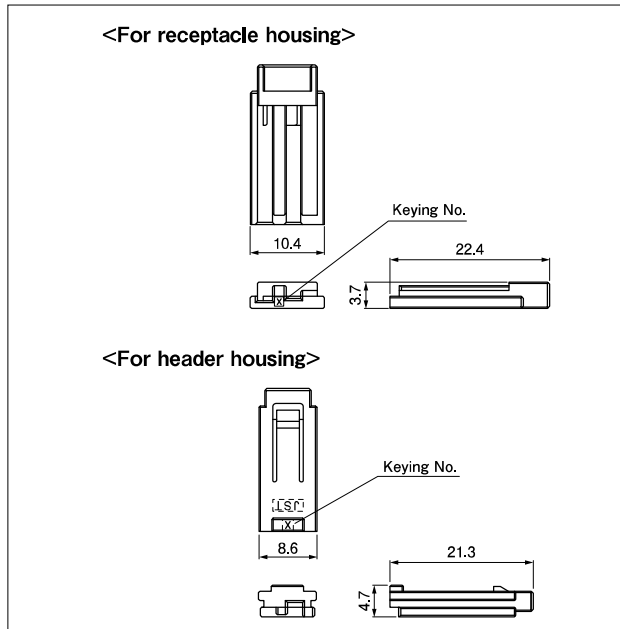
### Material and Finish

Tab contact: Copper alloy, nickel-undercoated, selective gold-plated  
Housing: Glass-filled PBT, UL94V-0, black  
Reinforcement: Copper alloy, nickel-undercoated, selective gold-plated

RoHS2 compliance This product displays (LF)(AU) on a label.  
Note: Contact JST about 0.76  $\mu\text{m}$  gold-plated product and tin-plated product.

# J300 SERIES/KEYING BLOCK

## Keying block



	Keying	Model No.	Q'ty/bag
For receptacle housing	X	J3KF-VR-X	1,000
	Y	J3KF-VY-Y	1,000
	Z	J3KF-VE-Z	1,000
	W	J3KF-VS-W	1,000
For header housing	X	J3KM-VR-X	1,000
	Y	J3KM-VY-Y	1,000
	Z	J3KM-VE-Z	1,000
	W	J3KM-VS-W	1,000

### Material and Finish

Glass-filled PBT, UL94V-0, X-Keying (red), Y-Keying (yellow), Z-Keying (blue), W-Keying (white)

### RoHS2 compliance

Note: Unlisted in UL / TÜV.

## Features

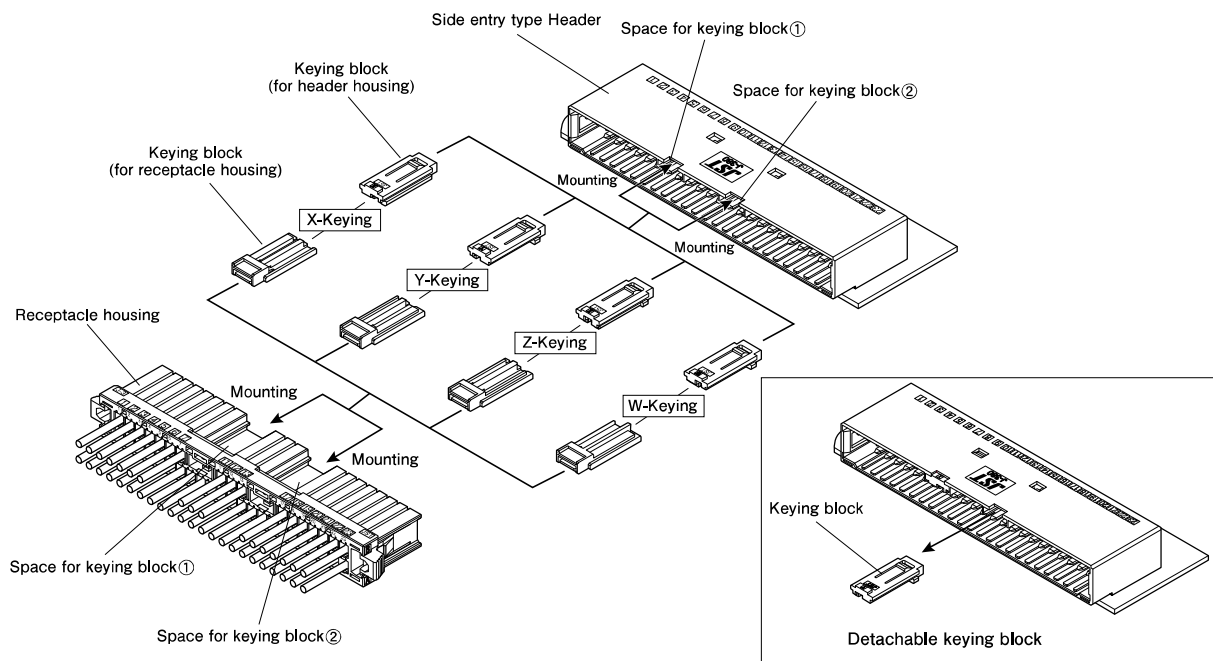
Mis-mating prevention keying block can be freely mounted to keying block space.

- 16 types of keying can be provided by mounting 4 types of keying block to 2 keying block spaces.
- Since a color varies on each type of keying, the kind of keying is easy to recognize.

### Variation of keying

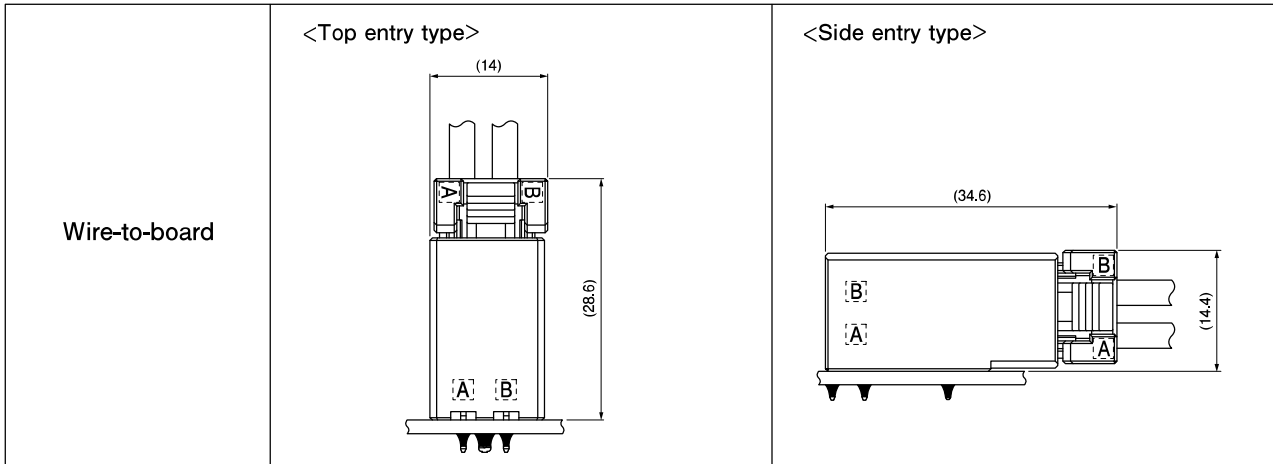
	X-Keying (red)	Y-Keying (yellow)	Z-Keying (blue)	W-Keying (white)
For header housing				
For receptacle housing				

## How to use keying block (When using J380D)

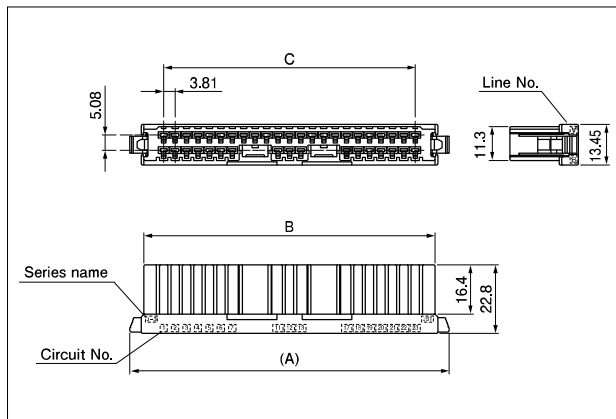


# J300 SERIES/J380D (for keying block)

## Assembly layout



## Receptacle housing



No. of circuits	Keying	Model No.	Dimensions (mm)			Q'ty /bag
			A	B	C	
20	—	F38FDS-20V-KE	68.3	58.9	45.72	100
40	—	F38FDS-40V-KE	106.4	97.0	83.82	60

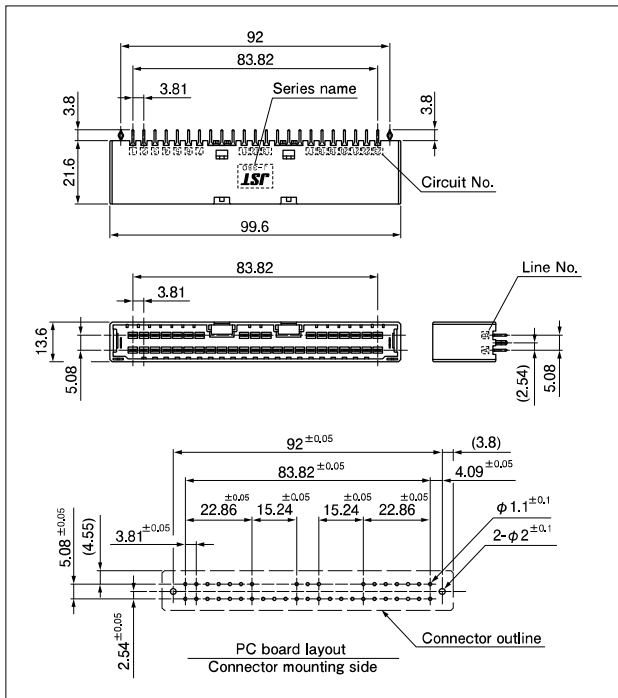
### Material and Finish

Glass-filled PBT, UL94V-0, black

**RoHS2 compliance** This product displays (LF)(AU) on a label.  
Note: Unlisted in UL / TÜV.

# J300 SERIES/J380D (for keying block)

## Header (Top entry type)



No. of circuits	Keying	Model No.	Q'ty/box
40	—	B40B-F38DK-GGER	24

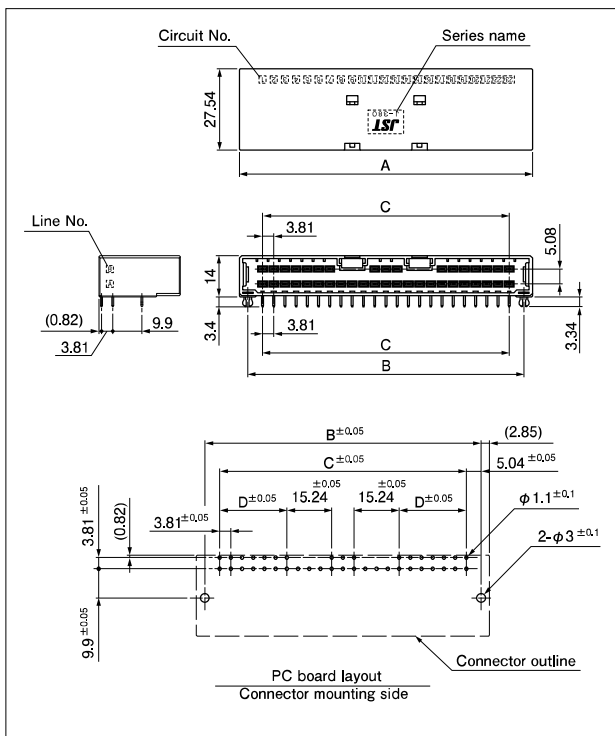
### Material and Finish

Tab contact: Copper alloy, nickel-undercoated, selective gold-plated  
 Housing: Glass-filled PBT, UL94V-0, black  
 Reinforcement: Copper alloy, nickel-undercoated, selective gold-plated

RoHS2 compliance This product displays (LF)(AU) on a label.

Note: 1. Contact JST about 0.76 μm gold-plated product and tin-plated product.  
 2. Unlisted in UL / TÜV.

## Header (Side entry type)



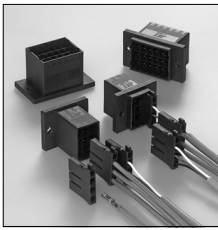
No. of circuits	Keying	Model No.	Dimensions (mm)				Q'ty /box
			A	B	C	D	
20	—	S20B-F38DK-GGER	61.5	55.8	45.72	3.81	120
40	—	S40B-F38DK-GGER	99.6	93.9	83.82	22.86	72

### Material and Finish

Tab contact: Copper alloy, nickel-undercoated, selective gold-plated  
 Housing: Glass-filled PBT, UL94V-0, black  
 Reinforcement: Copper alloy, nickel-undercoated, selective gold-plated

RoHS2 compliance This product displays (LF)(AU) on a label.

Note: 1. Contact JST about 0.76 μm gold-plated product and tin-plated product.  
 2. Unlisted in UL / TÜV.



# J300 SERIES COMMON TYPE/J350D

## Dual-row Common type (J350D)

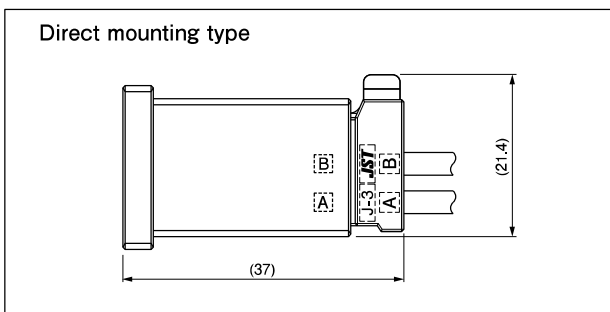
Unit: A

Receptacle side	Tab side	Appearance	Circuit figure	Current rating ( AC, DC)						
				Wire size (AWG)						
				Circuit	Note 1	#14	#16	#18	#20	Remark
Normal Receptacle housing	Contact for common connection Tab side		 Contact for common connection Tab side	12	—	13.0	11.5	9.5	7.5	Total input current on single-row
Receptacle housing assembly with common connection	Contact for common connection Tab side		 Contact for common connection Tab side	12	—	13.0	11.5	9.5	7.5	Total input current on all circuits
	Header		 Contact for common connection Receptacle side	4	11.25	11.25	11.25	10.0	8.0	—
				12	8.25	8.25	8.25	7.75	6.0	
Tab housing		 Contact for common connection Receptacle side Tab contact	20	8.0	8.0	8.0	7.25	6.0	—	
			12	—	8.25	8.25	7.75	6.0		

Note: Use only receptacle housing assembly with common connection.

- Rationalization of wiring is realized by the common connection inside the connector

### Assembly layout



\*When mating with receptacle housing (2-circuit)

### Specifications

- Current rating: Refer to the above table.
- Voltage rating: 600 V AC/DC
- Temperature range: -55°C to +105°C  
(including temperature rise in applying electrical current)
- Contact resistance: Initial value/ 10 mΩ max.  
After environmental tests/ 20 mΩ max.
- Insulation resistance: 1,000 MΩ min.
- Withstanding voltage: 2,200 VAC/minute
- Applicable wire: AWG #28 to #14
- \* In using the products, refer to "Handling Precautions for Terminals and Connectors" described on our website (Technical documents of Product information page).
- \* Dimensional unit : mm
- \* RoHS2 Compliance
- \* Contact JST for details.

# J300 SERIES COMMON TYPE/J350D

## Receptacle housing

• 2 circuits

• 4 circuits

• 6 circuits

• 10 circuits

No. of circuits	Keying	Model No.	Q'ty/bag
2	—	F35FDC-02V-K	200
4	—	F35FDC-04V-K	200
6	—	F35FDC-06V-K	200
10	—	F35FDC-10V-K	100

**Material and Finish**

Glass-filled PBT, UL94V-0, black

RoHS2 compliance

## Receptacle housing assembly with common connection

No. of circuits	Keying	Model No.	Q'ty/box
—	—	F35FDC-00(2-A1D)V-EC	700

**Material and Finish**

Contact for common connection: Copper alloy, nickel-undercoated, selective gold-plated  
Housing: Glass-filled PBT, UL94V-0, blue

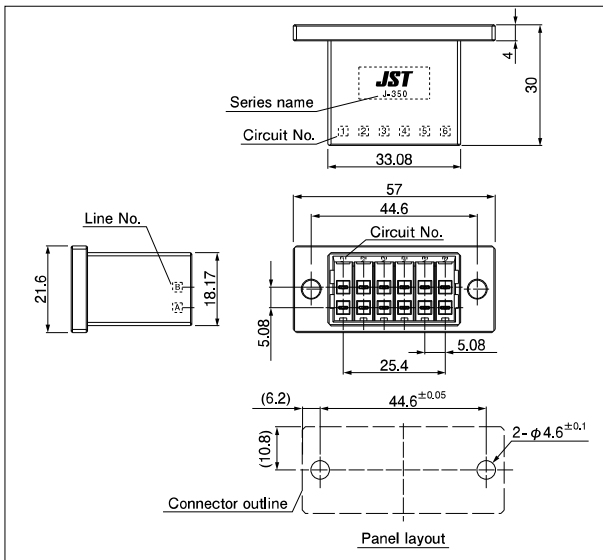
RoHS2 compliance

Note: 1. Contact JST about 0.76µm gold-plated product and tin-plated product.  
2. Unlisted in UL / TÜV.

Cross-section of receptacle housing assembly with common connection	Illustration when using	Circuit figure when using
<p>Inserted the contact for common connection to the inside of receptacle housing</p>	<p>*When using receptacle housing assembly with common connection</p>	<p>Contact for common connection Tab side</p> <p>Contact for common connection Receptacle side</p>

# J300 SERIES COMMON TYPE/J350D

## Tab housing Assembly



No. of circuits	Keying	Model No.	Q'ty/box
12	—	P12B-F35DK-GFAR	196

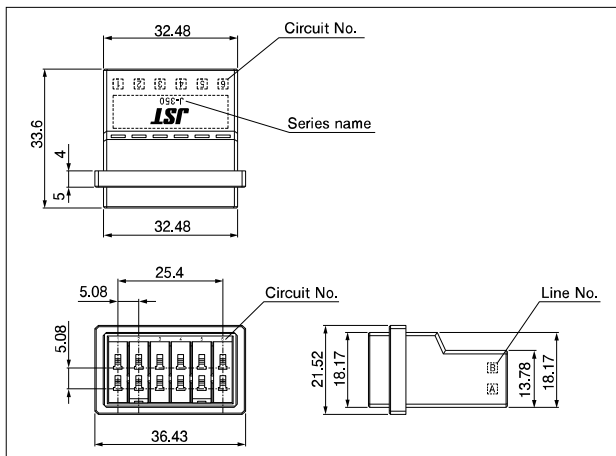
### Material and Finish

Tab contact: Copper alloy, nickel-undercoated, selective gold-plated  
Housing: Glass-filled PBT, UL94V-0, black

### RoHS2 compliance

- Note: 1. Punch holes in the panel. Burrs must be removed.  
2. The strength of the panel must be considered when punching two or more holes.  
3. The connector must be inserted from the same side as the hole is punched.  
4. Contact JST about 0.76μm gold-plated product and tin-plated product.  
5. Refer to the top page of J350D (Common type) for circuit figure.

## Tab housing (Free hanging type)



No. of circuits	Keying	Model No.	Q'ty/box
12	—	F35MDF-12V-K	50

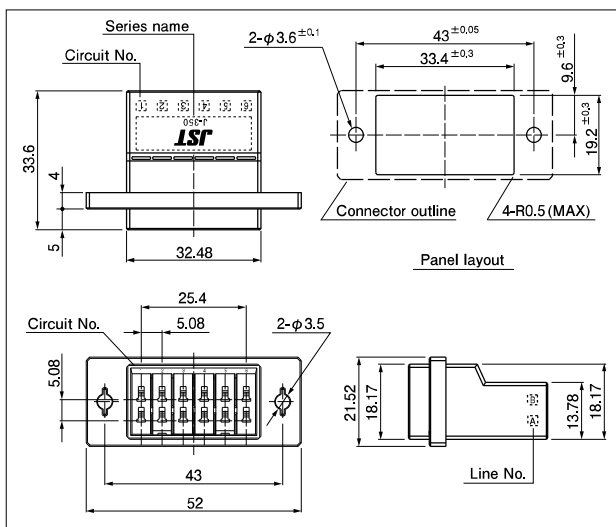
### Material

Glass-filled PBT, UL94V-0, black

### RoHS2 compliance

Note: Unlisted in TÜV.

## Tab housing (Panel mounting type)



No. of circuits	Keying	Model No.	Q'ty/box
12	—	F35MDP-12V-K	41

### Material and Finish

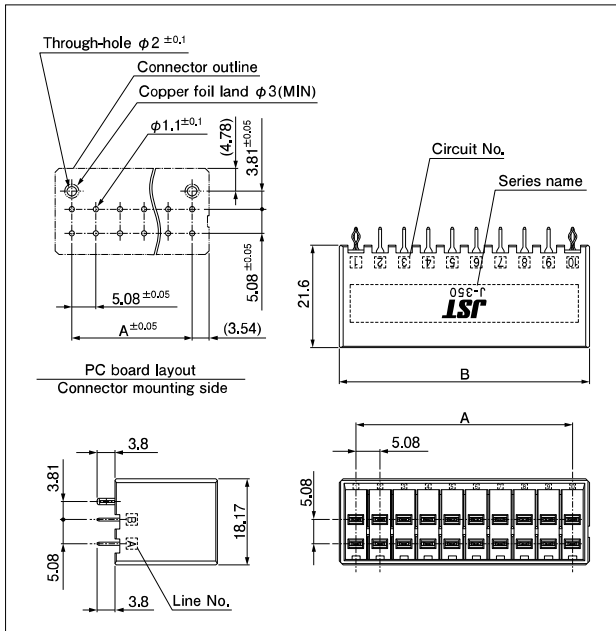
Glass-filled PBT, UL94V-0, black

### RoHS2 compliance

- Note: 1. Punch holes in the panel. Burrs must be removed.  
2. The strength of the panel must be considered when punching two or more holes.  
3. The connector must be inserted from the same side as the hole is punched.  
4. Unlisted in TÜV.

# J300 SERIES COMMON TYPE/J350D

## Header (Top entry type)



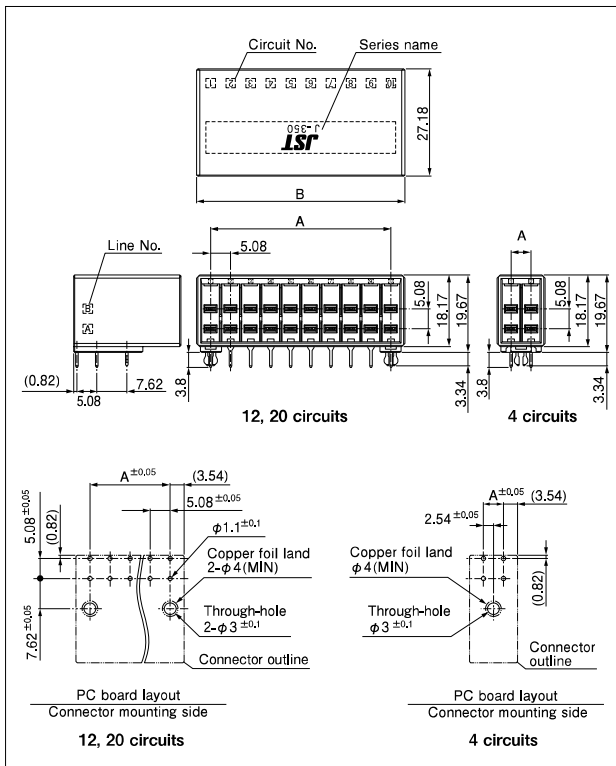
No. of circuits	Keying	Model No.	Dimensions (mm)		Q'ty/box
			A	B	
12	—	BC12B-F35DK-GGR	25.40	32.48	56
20	—	BC20B-F35DK-GGR	45.72	52.80	32

### Material and Finish

Tab contact: Copper alloy, nickel-undercoated, selective gold-plated  
Housing: Glass-filled PBT, UL94V-0, black  
Reinforcement: Copper alloy, nickel-undercoated, selective gold-plated

RoHS2 compliance This product displays (LF)(AU) on a label.  
Note: Contact JST about 0.76 μm gold-plated product and tin-plated product.

## Header (Side entry type)



No. of circuits	Keying	Model No.	Dimensions (mm)		Q'ty/box
			A	B	
4	—	SC04B-F35DK-GGR	5.08	12.16	152
12	—	SC12B-F35DK-GGR	25.40	32.48	56
20	—	SC20B-F35DK-GGR	45.72	52.80	32

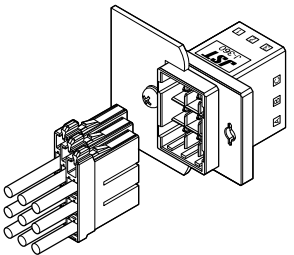
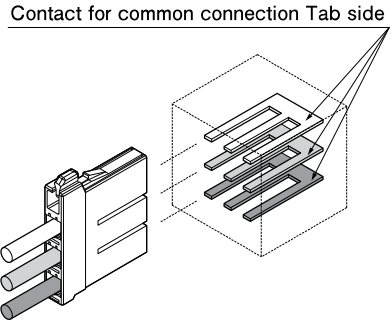
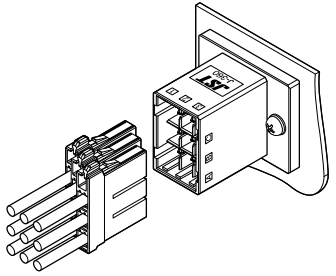
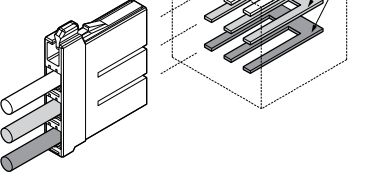
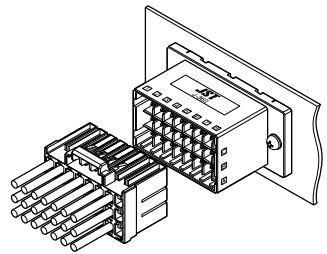
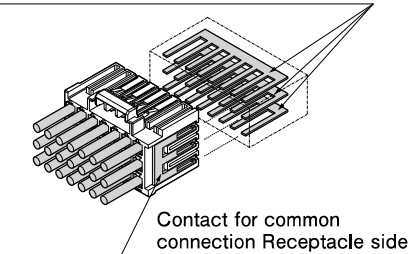
### Material and Finish

Tab contact: Copper alloy, nickel-undercoated, selective gold-plated  
Housing: Glass-filled PBT, UL94V-0, black  
Reinforcement: Copper alloy, nickel-undercoated, selective gold-plated

RoHS2 compliance This product displays (LF)(AU) on a label.  
Note: Contact JST about 0.76 μm gold-plated product and tin-plated product.

# J300 SERIES COMMON TYPE/J360T

## Triple-row Common type (J360T)

Receptacle side	Tab side	Appearance	Circuit figure
Normal Receptacle housing	Contact for common connection Tab side (Panel mounting type)		 Contact for common connection Tab side
	Contact for common connection Tab side (Direct mounting type)		
Receptacle housing assembly with common connection	Contact for common connection Tab side (Direct mounting type)		 Contact for common connection Tab side Contact for common connection Receptacle side

- Rationalization of wiring is realized by the common connection inside the connector

## Specifications

- Current rating: AC/DC

Unit: A

	Wire size (AWG)			
	#14	#16	#18	#20
Receptacle housing (Total input current on single-row)	12.0	10.5	8.5	6.5
Receptacle housing assembly with common connection (Total input current on all circuits)	15.0	13.5	11.5	9.5

- Voltage rating: 600 V AC/DC
- Temperature range: -55°C to +105°C  
(including temperature rise in applying electrical current)
- Contact resistance: Initial value/ 10 mΩ max.  
After environmental tests/ 20 mΩ max.
- Insulation resistance: 1,000 MΩ min.  
(When using receptacle housing)
- Withstanding voltage: 2,200 VAC/minute  
(When using receptacle housing)
- Applicable wire: AWG #28 to #14

\* In using the products, refer to "Handling Precautions for Terminals and Connectors" described on our website (Technical documents of Product information page).

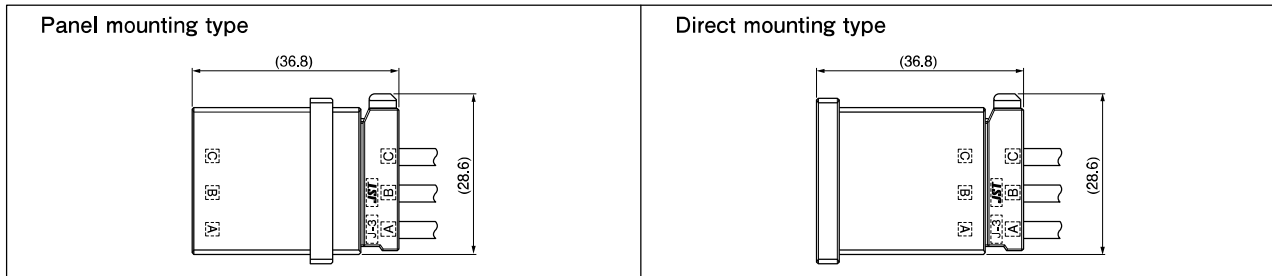
\* Dimensional unit : mm

\* RoHS2 Compliance

\* Contact JST for details.

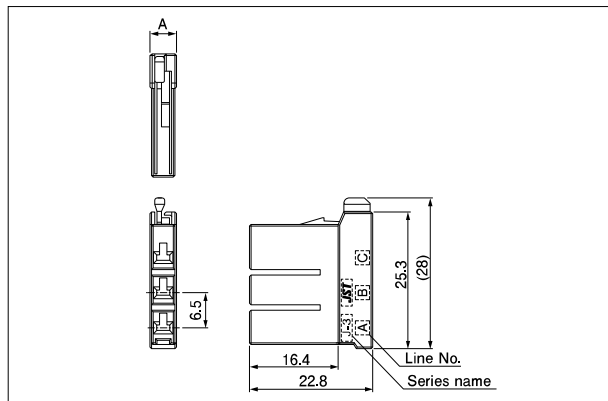
# J300 SERIES COMMON TYPE/J360T

## Assembly layout



\*When mating with receptacle housing (3-circuit)

## Receptacle housing



No. of circuits	Keying	Model No.	Dimensions (mm)	Q'ty/bag
			A	
3	-	F36FTC-03V-K	4.9	200
9	-	F36FTC-09V-K	15.0	-
18	-	F36FTC-18V-K	30.3	-
24	-	F36FTC-24V-K	41.2	60

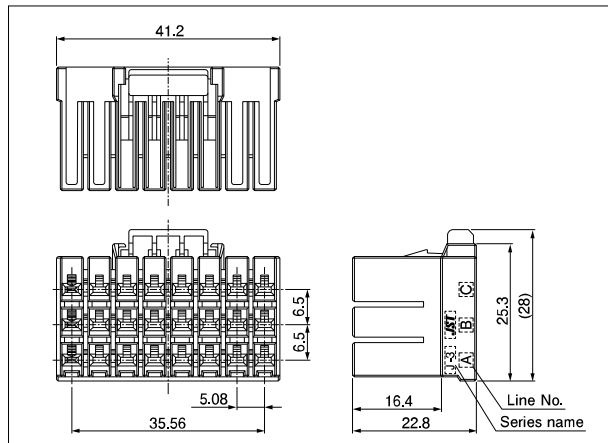
### Material and Finish

Glass-filled PBT, UL94V-0, black

### RoHS2 compliance

Note: 9, 18, and 24-circuit products are not approved by UL / TÜV standards.

## Receptacle housing assembly with common connection



No. of circuits	Model No.	Q'ty/bag
21	F36FTC-21(24-C8T)V-KC	60

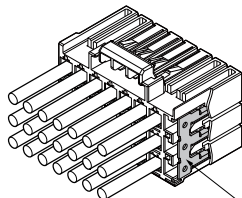
### Material and Finish

Contact for common connection: Copper alloy, nickel-undercoated, selective gold-plated  
Housing: Glass-filled PBT, UL94V-0, black

### RoHS2 compliance

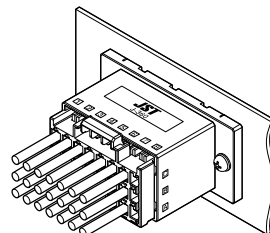
Note: 1. Contact JST about 0.76  $\mu$ m gold-plated product.  
2. Unlisted in UL / TÜV.

### Cross-section of receptacle housing assembly with common connection



Inserted the contact for common connection to the right side of receptacle housing

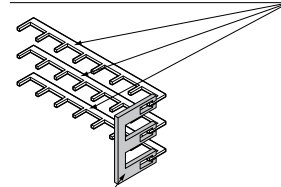
### Illustration when using



\* When mating with receptacle housing assembly with common connection

### Circuit figure when using

Contact for common connection Tab side

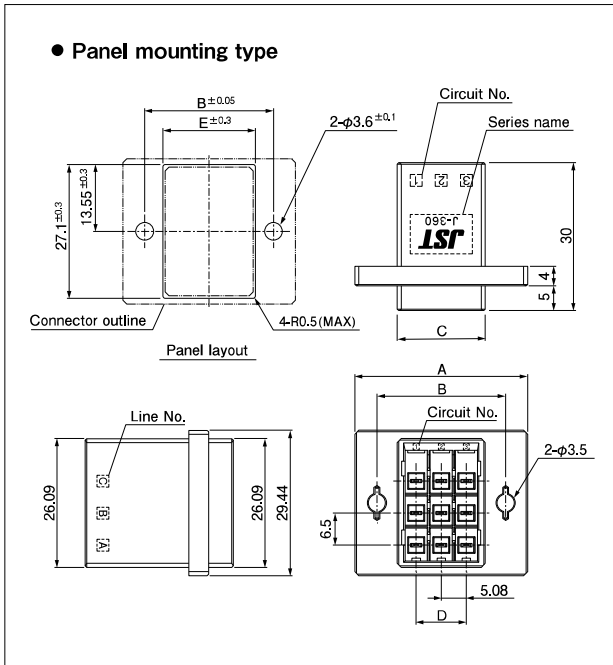


Contact for common connection Receptacle side

# J300 SERIES COMMON TYPE/J360T

## Common tab housing Assembly

### • Panel mounting type



No. of circuits	Keying	Model No.	Dimensions (mm)					Q'ty /box
			A	B	C	D	E	
9	—	P09B-F36TK-GFR	35.0	26.1	17.8	10.16	18.8	364
18	—	P18B-F36TK-GFR	50.2	41.3	33.1	25.40	34.1	224

### Material and Finish

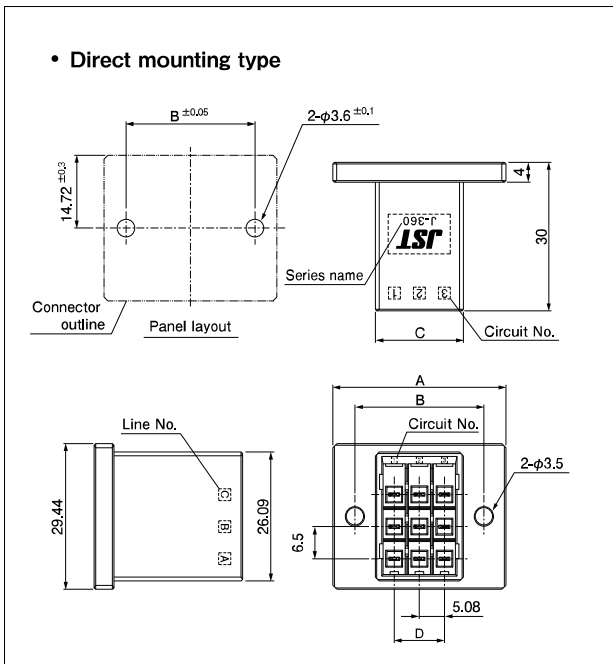
Tab contact: Copper alloy, nickel-undercoated, selective gold-plated  
Housing: Glass-filled PBT, UL94V-0, black

### RoHS2 compliance

Note: 1. Punch holes in the panel. Burrs must be removed.

- The strength of the panel must be considered when punching two or more holes.
- The connector must be inserted from the same side as the hole is punched.
- Contact JST about 0.76 μm gold-plated product and tin-plated product.
- Refer to the top page of J360T (Common type) for circuit figure.

### • Direct mounting type



No. of circuits	Keying	Model No.	Dimensions (mm)				Q'ty /box
			A	B	C	D	
9	—	P09B-F36TK-GFAR	35.0	26.1	17.8	10.16	364
18	—	P18B-F36TK-GFAR	50.2	41.3	33.1	25.40	224
24	—	P24B-F36TK-GFAR	60.4	51.5	43.2	35.56	168

### Material and Finish

Tab contact: Copper alloy, nickel-undercoated, selective gold-plated  
Housing: Glass-filled PBT, UL94V-0, black

### RoHS2 compliance

Note: 1. Punch holes in the panel. Burrs must be removed.

- The strength of the panel must be considered when punching two or more holes.
- The connector must be inserted from the same side as the hole is punched.
- The directions such as series names of 24-circuit product are different from 9 and 18-circuit products.
- 24-circuit product is not approved by UL standard.
- Refer to the top page of J360T (Common type) for circuit figure.

# JFA CONNECTOR/J300 SERIES

## Model number allocation

### Receptacle contact

**S F3 F - 41 GF - P 2.0**

Form: S...Strip form, B...Loose piece,  
L...Loose piece with curled barrels

Series name

Kind of terminal: F...Receptacle contact

Applicable wire: 002...AWG #28 ~ #24, 01...AWG #24 ~ #20,  
41...AWG #20 ~ #16, 71...AWG #16 ~ #14

Surface finish: GF...Nickel-undercoated, 0.38 μm selective gold-plated  
GFA...Nickel-undercoated, 0.38 μm selective gold-plated (A type)  
GI...Nickel-undercoated, 0.76 μm selective gold-plated  
GIA...Nickel-undercoated, 0.76 μm selective gold-plated (A type)  
T...Tin-plated (reflow treatment)

Material: P...Copper alloy

Terminal size

### Tab contact

**S F3 M - 41 GF - M 2.0 N**

Form: S...Strip form, B...Loose piece  
L...Loose piece with curled barrels

Series name

Kind of terminal: M...Tab contact

Applicable wire: 002...AWG #28 ~ #24, 01...AWG #24 ~ #20,  
41...AWG #20 ~ #16, 71...AWG #16 ~ #14

Surface finish: GF...Nickel-undercoated, 0.3 μm selective gold-plated  
GI...Nickel-undercoated, 0.76 μm selective gold-plated  
T...Tin-plated (reflow treatment)

Material: M...Copper alloy

Terminal size

Sub model No.

### Receptacle housing

**F31 F S S - 03 V - K X**

Series name

Type of connector: F...Receptacle housing,  
FR...Receptacle housing  
Reverse type

Rows: S...Single-row, D...Dual-row with 5.08 mm line pitch  
M...Double-row with 7.62 mm line pitch  
T...Triple-row, F...Quadruple-row

Mounting arrangement: S...Side locking, C...Center locking,  
PA...Panel mounting type

No. of circuits: 1 ~ 6, 8 ~ 10, 12, 16, 18, 20, 24, 30, 40

Flammability: V...UL94V-0

Color indication: K...Black, S...White, E...Blue, M...Green

Keying: X...X-Keying, Y...Y-Keying, Z...Z-Keying, W...W-Keying, XX...XX-Keying,  
YY...YY-Keying, XY...XY-Keying, Blank...Without Keying No.  
E...Space (2 spaces) for Keying block

### Tab housing

**F31 M S F - 03 V - K X**

Series name

Type of connector: M...Tab housing,  
MR...Tab housing  
Reverse type

Rows: S...Single-row, D...Dual-row,  
T...Triple-row, F...Quadruple-row

Mounting arrangement: F...Free hanging, P...Panel mounting  
S...Side locking, PL...Panel mounting Housing lock

No. of circuits: 1 ~ 6, 8, 10, 12, 16, 20, 30, 40

Flammability: V...UL94V-0

Color indication: K...Black, S...White, E...Blue, M...Green

Keying: X...X-Keying, Y...Y-Keying, Z...Z-Keying, W...W-Keying, XX...XX-Keying,  
YY...YY-Keying, XY...XY-Keying, Blank...Without Keying No.

### Header

**B 05 B - F31 S K - GG X R**

PC board mounting direction:  
B...Top entry type  
S...Side entry type  
BC...Top & center locking  
SR...Side reverse  
SC...Side & center locking

No. of circuits: 2 ~ 6, 8 ~ 10, 12, 16, 20, 40

Product name: Header

Series name

Rows: S...Single-row  
D...Dual-row with 5.08 mm line pitch  
M...Dual-row with 7.62 mm line pitch  
T...Triple-row  
F...Quadruple-row

Color indication: K...Black, S...White, E...Blue

Surface finish: GG...Nickel-undercoated, 0.38 μm selective gold-plated  
GK...Nickel-undercoated, 0.76 μm selective gold-plated  
T...Tin-plated (reflow treatment)

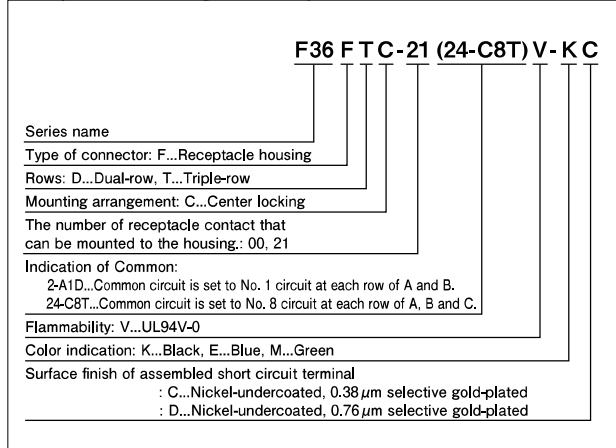
Keying: X...X-Keying, Y...Y-Keying, XX...XX-Keying, YY...YY-Keying,  
XY...XY-Keying, E...Space (2 spaces) for Keying block,  
XA...XXX-Keying, XB...XXY-Keying, XC...YXX-Keying,  
XD...YYX-Keying, Blank...Without Keying No.

Packaging form: R...Tray, M...Magazine stick

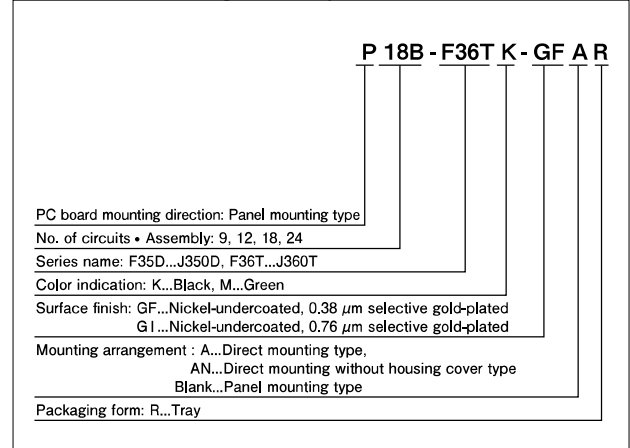
# JFA CONNECTOR/J300 SERIES

## Model number allocation

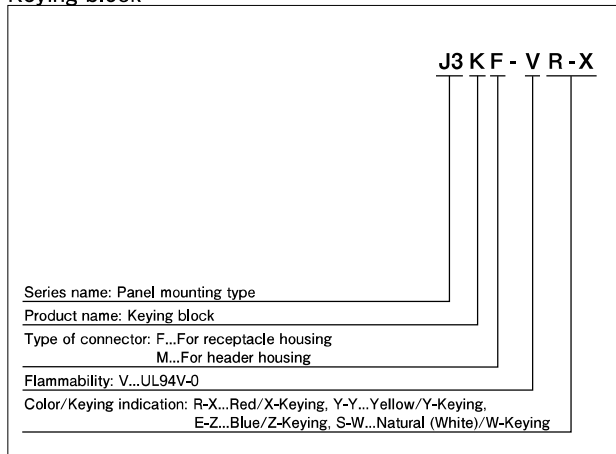
### Receptacle housing assembly

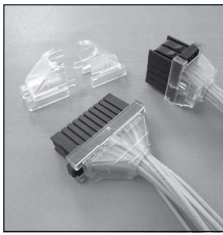


### Common tab housing assembly

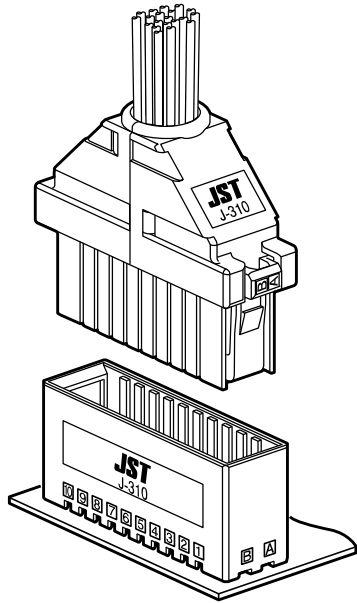


### Keying block





# JFA CONNECTOR J300 SERIES PROTECTOR

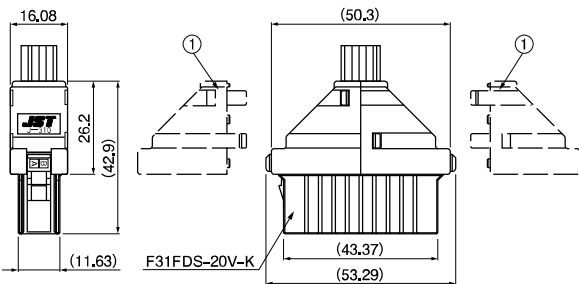


When applying a current to the connector, the protector prevents foreign substances being inserted into mating part from the wiring side. However it has no function of holding the wire securely.

Note: Protector is unlisted in UL.

## J300 Series

### • J310D series for 20 circuits



No.	Model No.	Color	Q'ty/box
1	F31PFD-20VK	Black	112
	F31PFD-20SC	Transparent	112

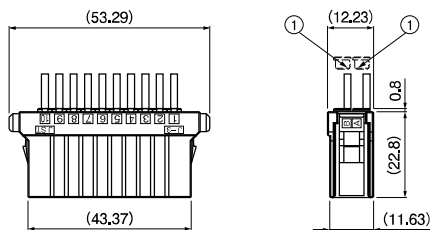
#### Material and Finish

Black: Glass-filled PBT  
Transparent: Polycarbonate

#### RoHS2 compliance

Note: Two protectors of the same color are used.

### • J310D series / Embedding-type protector for 8, 10 circuits



No.	Model No.	Color	Q'ty/box
1	F31PFS-10KU	Black	1,000

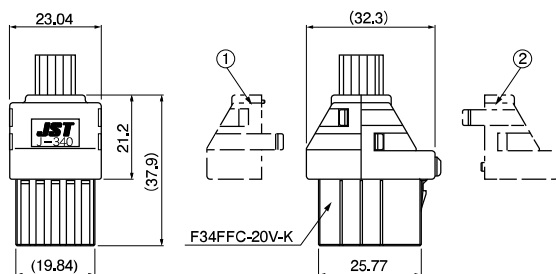
#### Material and Finish

Glass-filled PBT

#### RoHS2 compliance

Note: Cut the protector according to the number of circuits before use.

### • J340F series for 20 circuits



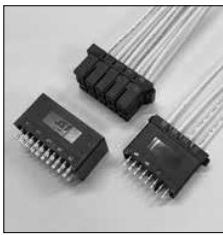
No.	Model No.	Color	Q'ty/box
1	F34PFF-20VKA	Black	80
	F34PFF-20SCA	Transparent	80
	F34PFF-20VKB	Black	80
2	F34PFF-20SCB	Transparent	80

#### Material and Finish

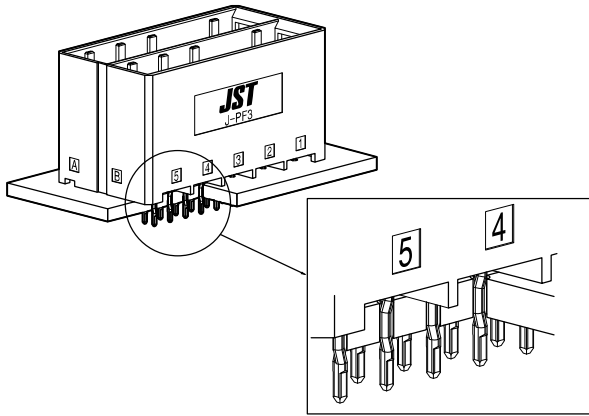
Black: Glass-filled PBT  
Transparent: Polycarbonate

#### RoHS2 compliance

Note: Use the same color for protector 1 and 2.



# JFA CONNECTOR J-PF3 PRESS FIT TYPE



- Press fit contact is adopted.
- Easy PC board layout
- Use the receptacle contact of J300 series

## Specifications

• Current rating : AC/DC

Unit : A

No. of circuits	Wire size (AWG)					
	#14	#16	#18	#20	#22	#24
4	13.0	11.5	9.5	8.0	6.5	5.5
5	13.0	11.5	9.5	8.0	6.5	5.5
6	12.5	11.0	9.0	7.5	6.0	5.0
10	11.5	10.0	8.5	7.0	5.5	4.5

- Voltage rating: 250 V
- Temperature range: -55°C to +105°C  
(including temperature rise in applying electrical current)
- Applicable PC board thickness: 2.4 to 3.4 mm
- \* In using the products, refer to "Handling Precautions for Terminals and Connectors" described on our website (Technical documents of Product information page).
- \* RoHS2 compliance
- \* Dimensional unit: mm
- \* Contact JST for details.

## Standards

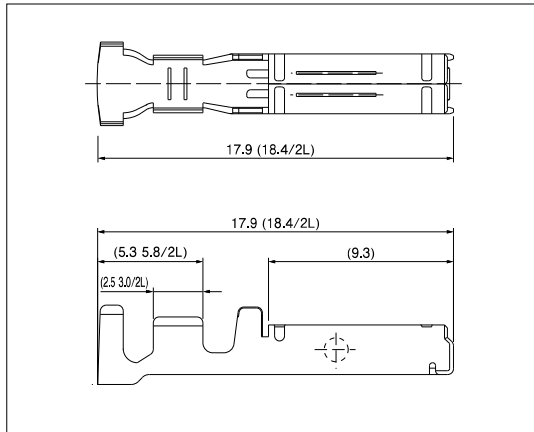
Ⓜ : Recognized E 60389

## Assembly layout

			When using J-PF3 receptacle	When using J-PF3 receptacle modular
Wire-to-board	Top entry type	Single-row		
		Dual-row		

# J300 SERIES/J-PF3 PRESS FIT TYPE

## Receptacle contact



Model No.		Applicable wire			Insulation O.D. (mm)	Q'ty	
Strip contact	Loose piece	Size	mm <sup>2</sup>	AWG#		reel	Box (Loose piece)
SF3F-002(*)-P2.0	BF3F-002(*)-P2.0	S	0.08~0.20	28~24	0.8~1.4	3,700	1,000
SF3F-01(*)-P2.0	BF3F-01(*)-P2.0	M	0.20~0.50	24~20	1.2~2.6	3,700	1,000
SF3F-41(*)-P2.0	LF3F-41(*)-P2.0	L	0.50~1.25	20~16	1.8~2.8	3,200	1,000
SF3F-71(*)-P2.0	BF3F-71(*)-P2.0	2L	1.25~2.0	16~14	2.4~3.4	3,200	1,000

### Material and Finish

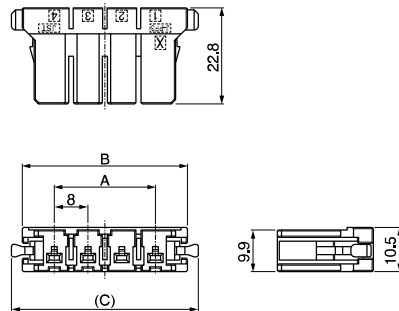
Copper alloy (superior conductivity), nickel-undercoated, selective gold-plated

### RoHS2 compliance

Note: Finish (\*) : GF.....Nickel-undercoated, 0.38 μm selective gold-plated  
 GFA.....Nickel-undercoated, 0.38 μm selective gold-plated (A type)  
 GI.....Nickel-undercoated, 0.76 μm selective gold-plated  
 GIA.....Nickel-undercoated, 0.76 μm selective gold-plated (A type)

## Receptacle housing

### <Single-row type>



No. of circuits	Keying	Model No.	Dimensions (mm)			Q'ty/ bag
			A	B	C	
4	X	JPF3FSS-04V-KX	24.0	39.2	44.4	100
	Y	JPF3FSS-04V-KY	24.0	39.2	44.4	100
	V	JPF3FSS-04V-KV	24.0	39.2	44.4	100
	W	JPF3FSS-04V-KW	24.0	39.2	44.4	100
5	X	JPF3FSS-05V-KX	32.0	47.2	52.4	100
	Y	JPF3FSS-05V-KY	32.0	47.2	52.4	100
	V	JPF3FSS-05V-KV	32.0	47.2	52.4	100
	W	JPF3FSS-05V-KW	32.0	47.2	52.4	100

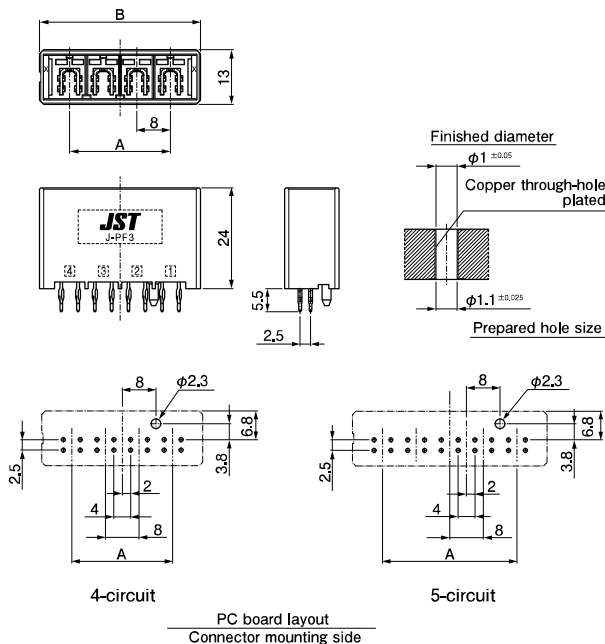
### Material

Thermoplastic resin, UL94V-0, black

### RoHS2 compliance

## Header Top entry type (Press fit type)

### <Single-row type>



No. of circuits	Keying	Model No.	Dimensions (mm)		Q'ty/ box
			A	B	
4	X	B04B-JPF3SK-GKXR	24.0	38.3	168
	Y	B04B-JPF3SK-GKYR	24.0	38.3	168
	V	B04B-JPF3SK-GKVR	24.0	38.3	168
	W	B04B-JPF3SK-GKWR	24.0	38.3	168
5	X	B05B-JPF3SK-GKXR	32.0	47.2	144
	Y	B05B-JPF3SK-GKYR	32.0	47.2	144
	V	B05B-JPF3SK-GKVR	32.0	47.2	144
	W	B05B-JPF3SK-GKWR	32.0	47.2	144

### Material and Finish

Post: Copper alloy, gold-plated  
 Housing: Thermoplastic resin, UL94V-0, black

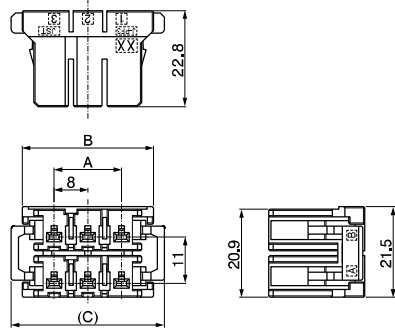
### RoHS2 compliance

Note: Contact JST for jig for press fit.

# J300 SERIES/J-PF3 PRESS FIT TYPE

## Receptacle housing

<Dual-row type>



No. of circuits	Keying	Model No.	Dimensions (mm)			Q'ty/ bag
			A	B	C	
6	XX	JPF3FMS-06V-KXX	16.0	31.2	36.4	100
	YY	JPF3FMS-06V-KYY	16.0	31.2	36.4	100
	XY	JPF3FMS-06V-KXY	16.0	31.2	36.4	100
	YX	JPF3FMS-06V-KYX	16.0	31.2	36.4	100
10	XX	JPF3FMS-10V-KXX	32.0	47.2	52.4	100
	YY	JPF3FMS-10V-KYY	32.0	47.2	52.4	100
	XY	JPF3FMS-10V-KXY	32.0	47.2	52.4	100
	YX	JPF3FMS-10V-KYX	32.0	47.2	52.4	100

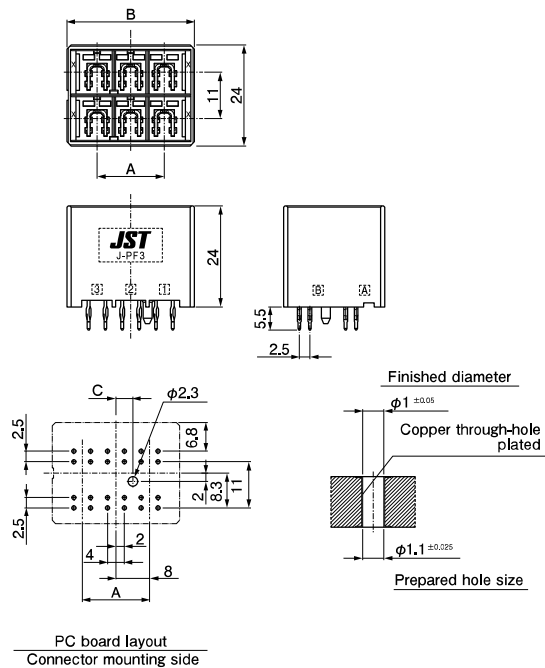
### Material and Finish

Thermoplastic resin, UL94V-0, black

RoHS2 compliance

## Header Top entry type (Press fit type)

<Dual-row type>



No. of circuits	Keying	Model No.	Dimensions (mm)			Q'ty/ box
			A	B	C	
6	XX	B06B-JPF3MK-GKXXR	16.0	30.3	4.0	144
	YY	B06B-JPF3MK-GKYYR	16.0	30.3	4.0	144
	XY	B06B-JPF3MK-GKXYR	16.0	30.3	4.0	144
	YX	B06B-JPF3MK-GKYXR	16.0	30.3	4.0	144
10	XX	B10B-JPF3MK-GKXXR	32.0	46.3	12.0	96
	YY	B10B-JPF3MK-GKYYR	32.0	46.3	12.0	96
	XY	B10B-JPF3MK-GKXYR	32.0	46.3	12.0	96
	YX	B10B-JPF3MK-GKYXR	32.0	46.3	12.0	96

### Material and Finish

Post: Copper alloy, gold-plated  
Housing: Thermoplastic resin, UL94V-0, black

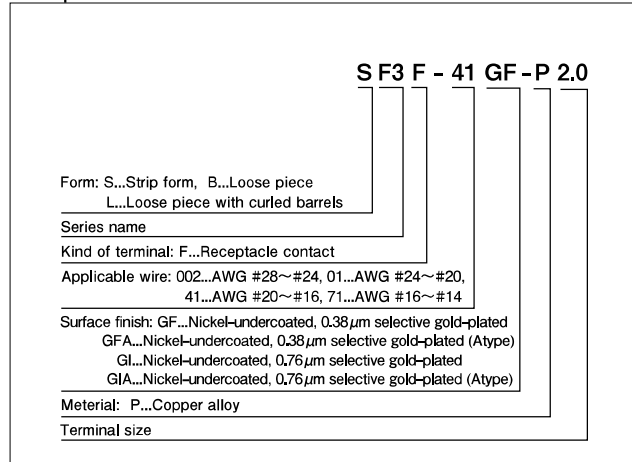
RoHS2 compliance

Note: Contact JST for jig or press fit

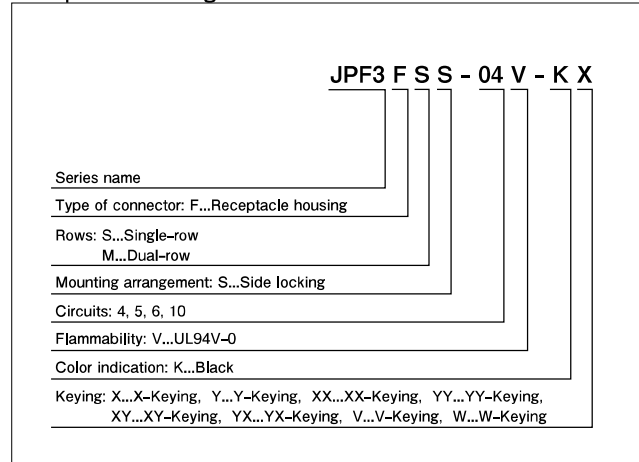
# J300 SERIES / J-PF3 PRESS FIT TYPE

## Model number allocation

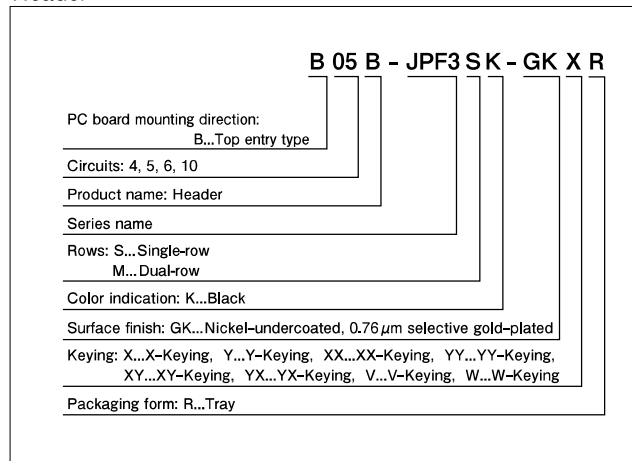
### Receptacle contact



### Receptacle housing



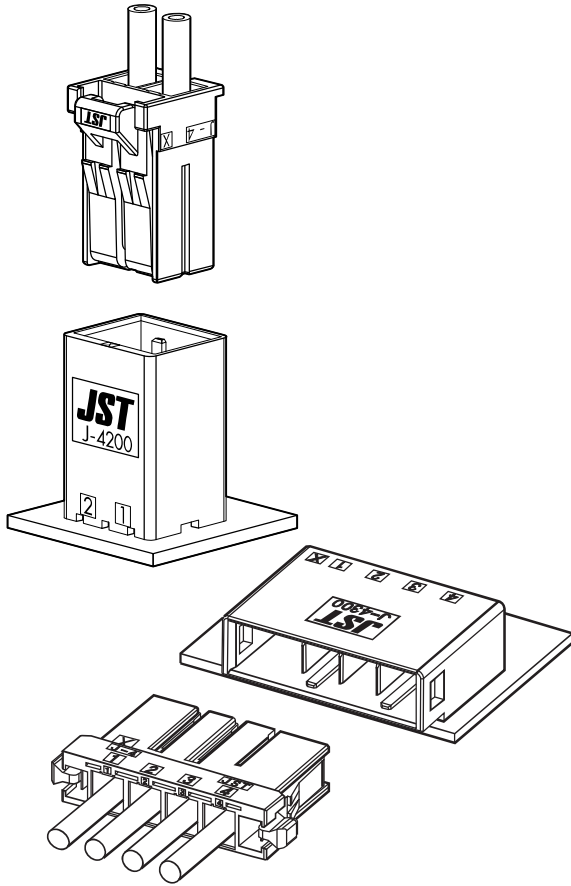
### Header





# JFA CONNECTOR J4000 SERIES

6.0/6.35mm pitch/Disconnectable Crimp style connectors



**Compact and high current capacity connector.**  
**This connector realizes high-density mounting on PC board.**

- High current capacity
- Housing lance
- Countermeasure for insertion of foreign substances (with protector)

## Specifications

- Current rating: Refer to the following matrix table.
- Voltage rating: 600 V AC, DC
- Temperature range: -55°C to +105°C  
 (including temperature rise in applying electrical current)
- Withstanding voltage: 2,200 VAC/minute
- Applicable wire: AWG #16 to #12 (1.25 to 3.5 mm<sup>2</sup>)
- Applicable PC board thickness: 1.6 to 2.4 mm

\*Contact JST for details.

\*Compliant with RoHS.

## Current rating

Unit: A

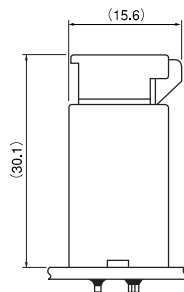
Circuits	Wire size (AWG)		
	#12	#14	#16
2	22.0	18.0	14.0
3	20.0	17.0	13.5
4	19.0	16.0	13.0
6	18.0	16.0	12.5

## Standards

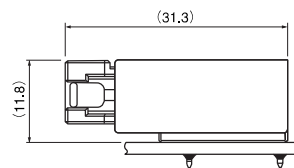
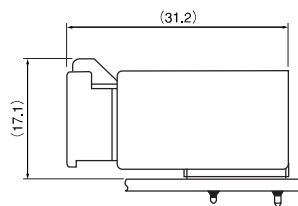
Recognized E60389

## Assembly layout

J4200

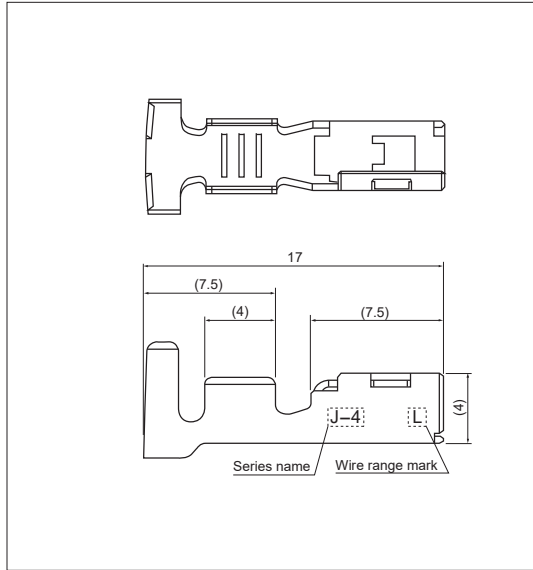


J4300



# JFA CONNECTOR/J4000 SERIES

## Receptacle contact



Model No.		Applicable wire			Insulation O.D. (mm)	Q'ty	
Strip contact	Loose piece contact	Nominal	mm <sup>2</sup>	AWG#		reel	box (Loose piece)
<b>SJ4F-71GF-M3.0</b>	<b>BJ4F-71GF-M3.0</b>	M	1.25~2.0	16~14	2.0~3.8	1,400	350
<b>SJ4F-81GF-M3.0</b>	<b>BJ4F-81GF-M3.0</b>	L	2.0~3.5	14~12	2.9~4.2	1,400	350

### Material and Finish

Copper alloy (superior conductivity), nickel-undercoated, selective gold-plated

### RoHS compliance

Note: Finish(GF): Nickel-undercoated, 0.38 μm selective gold-plated

## Crimping machine, Applicator

Strip contact Model No.	Crimping machine	Crimp applicator	Dies	Crimp applicator with dies
<b>SJ4F-71GF-M3.0</b>	AP-K2N	MKS-L-SIN3	MK/SJ4F-71-30	APLMK SJ4F71-30
<b>SJ4F-81GF-M3.0</b>			MK/SJ4F-81-30	APLMK SJ4F81-30

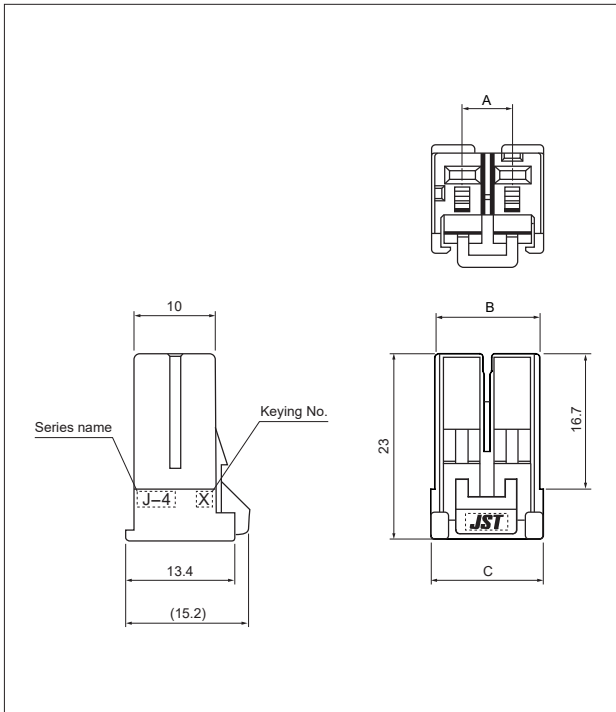
Loose piece	Hand crimp tools
<b>BJ4F-71GF-M3.0</b>	YRF-1130
<b>BJ4F-81GF-M3.0</b>	YRF-1370

Extraction tool for J4000 series : EJ-JFAJ4

Note: Contact JST for fully automatic crimping applicator.

# J4000 SERIES/J4200S

## Receptacle housing



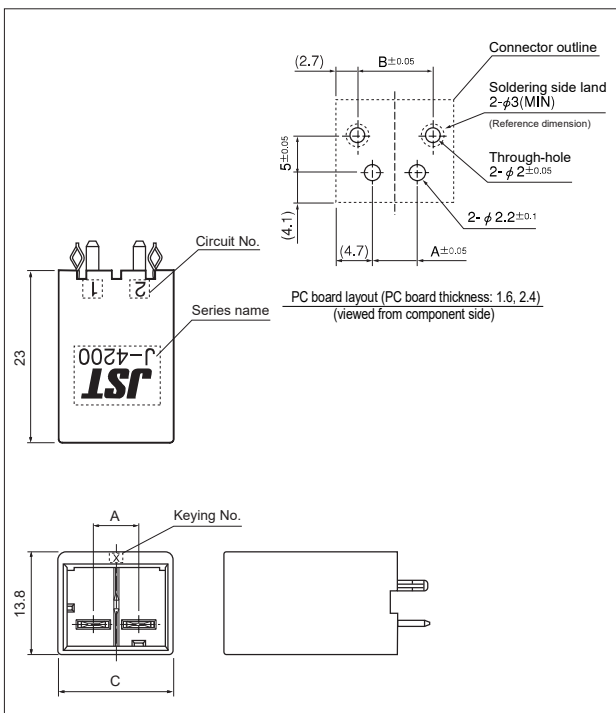
Circuits	Keying	Model No.	Dimensions (mm)			Q'ty/bag
			A	B	C	
2	X	<b>J42FSC-02V-KX</b>	6.0	12.8	13.6	200
	Y	<b>J42FSC-02V-KY</b>	6.0	12.8	13.6	200
3	X	<b>J42FSC-03V-KX</b>	12.0	18.8	19.6	130
	Y	<b>J42FSC-03V-KY</b>	12.0	18.8	19.6	130
6	X	<b>J42FSC-06V-KX</b>	30.0	36.8	37.6	70
	Y	<b>J42FSC-06V-KY</b>	30.0	36.8	37.6	70

### Material

Glass-filled PBT, UL94V-0, black

### RoHS compliance

## Header (Top entry type)



Circuits	Keying	Model No.	Dimensions (mm)			Q'ty/box
			A	B	C	
2	X	<b>BC02B-J42SK-GHXR</b>	6.0	10.0	15.4	168
	Y	<b>BC02B-J42SK-GHYR</b>	6.0	10.0	15.4	168
3	X	<b>BC03B-J42SK-GHXR</b>	12.0	16.0	21.4	90
	Y	<b>BC03B-J42SK-GHYR</b>	12.0	16.0	21.4	90
6	X	<b>BC06B-J42SK-GHXR</b>	30.0	34.0	39.4	45
	Y	<b>BC06B-J42SK-GHYR</b>	30.0	34.0	39.4	45

### Material and Finish

Tab contact: Copper alloy, nickel-undercoated, selective gold-plated

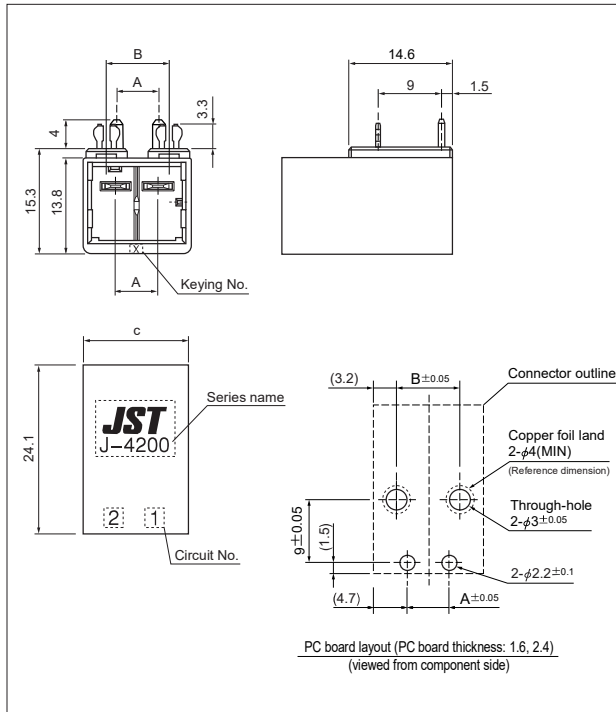
Housing: Glass-filled PBT, UL94V-0, black

Reinforcing metal fixture: Copper alloy, nickel-undercoated, selective gold-plated

### RoHS compliance

# J4000 SERIES/J4200S

## Header (Side entry type)



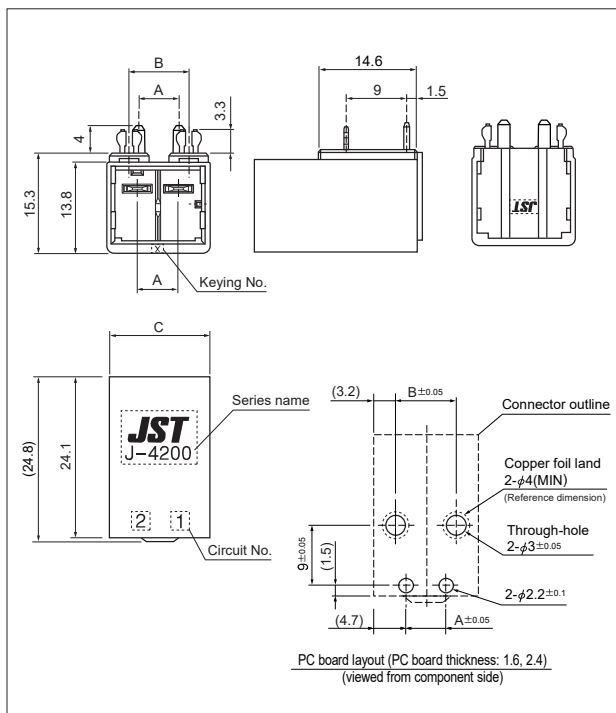
Circuits	Keying	Model No.	Dimensions (mm)			Q'ty/box
			A	B	C	
2	X	SC02B-J42SK-GHXR	6.0	9.0	15.4	120
	Y	SC02B-J42SK-GHYR	6.0	9.0	15.4	120

### Material and Finish

Tab contact: Copper alloy, nickel-undercoated, selective gold-plated  
Housing: Glass-filled PBT, UL94V-0, black  
Reinforcing metal fixture: Copper alloy, nickel-undercoated, gold-plated

### RoHS compliance

## Header (Side entry type with protector)



Circuits	Keying	Model No.	Dimensions (mm)			Q'ty/box
			A	B	C	
2	X	SC02B-J42SK-GHXPR	6.0	9.0	15.4	120
	Y	SC02B-J42SK-GHYPR	6.0	9.0	15.4	120

### Material and Finish

Tab contact: Copper alloy, nickel-undercoated, selective gold-plated  
Housing: Glass-filled PBT, UL94V-0, black  
Reinforcing metal fixture: Copper alloy, nickel-undercoated, gold-plated  
Protector: Glass-filled PBT, UL94V-0, black

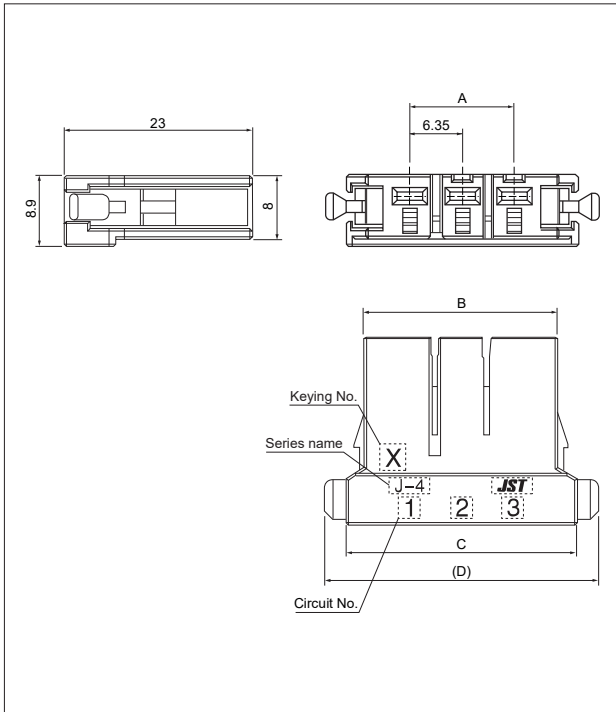
### RoHS compliance

(Patent pending)

When applying a current to the connector, the protector prevents foreign substances being inserted into mating part from the back of the connector.

# J4000 SERIES/J4300S

## Receptacle housing



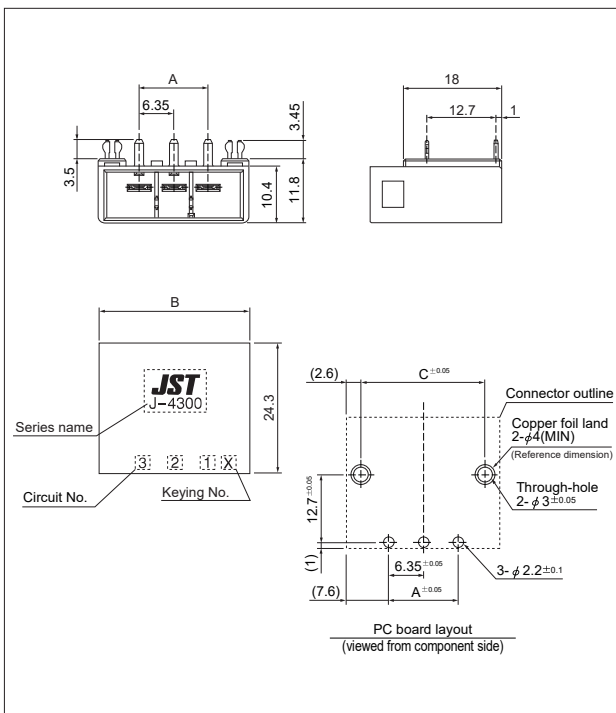
Circuits	Keying	Model No.	Dimensions (mm)				Q'ty/bag
			A	B	C	D	
3	X	<b>J43FSS-03V-KX</b>	12.7	23.8	28.5	33.7	200
	Y	<b>J43FSS-03V-KY</b>	12.7	23.8	28.5	33.7	200
4	X	<b>J43FSS-04V-KX</b>	19.05	30.15	34.85	40.05	200
	Y	<b>J43FSS-04V-KY</b>	19.05	30.15	34.85	40.05	200

### Material

Glass-filled PBT, UL94V-0, black

### RoHS compliance

## Header (Top entry type)



Circuits	Keying	Model No.	Dimensions (mm)			Q'ty/box
			A	B	C	
3	X	<b>S03B-J43SK-GHXR</b>	12.7	27.9	22.7	64
	Y	<b>S03B-J43SK-GHYR</b>	12.7	27.9	22.7	64
4	X	<b>S04B-J43SK-GHXR</b>	19.05	34.25	29.05	48
	Y	<b>S04B-J43SK-GHYR</b>	19.05	34.25	29.05	48

### Material and Finish

Tab contact: Copper alloy, nickel-undercoated, selective gold-plated  
Housing: Glass-filled PBT, UL94V-0, black  
Reinforcing metal fixture: Copper alloy, nickel-undercoated, selective gold-plated

### RoHS compliance

# JFA CONNECTOR/J4000 SERIES

## Model number identification

### Receptacle contact

**S J4 F - 71 GF - M 3.0**

Form: S...Strip form, B...Loose piece

Series name

Kind of terminal: F...Receptacle contact

Applicable wire: 71...AWG #16 ~ #14  
81...AWG #14 ~ #12

Surface finish: GF...Nickel-undercoated, 0.38 $\mu$ m selective gold-plated

Material: M...Copper alloy

Terminal size

### Receptacle housing

**J42 F S C - 02 V - K X**

Series name J42...6.0 mm pitch  
J43...6.35 mm pitch

Type of connector: F...Receptacle housing

Rows: S...Single-row

Configuration: C...Center locking  
S...Side locking

No. of circuits: 2, 3, 4, 6

Flammability: V...UL94V-0

Color indication: K...Black

Keying: X...X-Keying, Y...Y-Keying

### Header

**SC 02 B - J42 S K - GH X P R**

Form: BC...Top & center locking  
SC...Side & center locking  
S...Side locking

No. of circuits: 2, 3, 4, 6

Product name: Header

Series name: J42...6.0 mm pitch  
J43...6.35 mm pitch

Rows: S...Single-row

Color indication: K...Black

Surface finish: GH...Nickel-undercoated, selective gold-plated

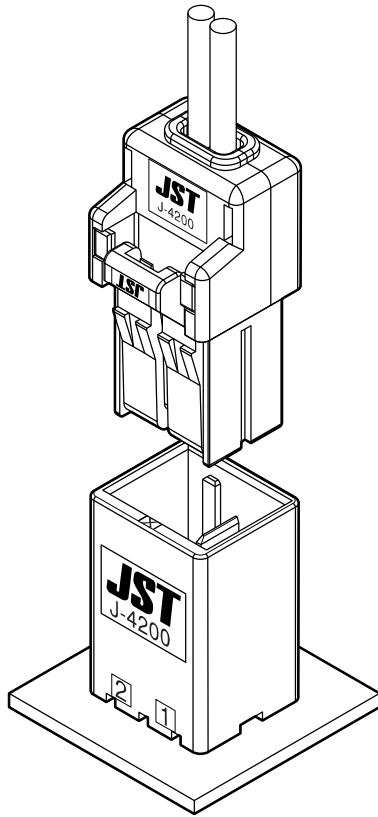
Keying: X...X-Keying, Y...Y-Keying

Special product: P...With protector, Blank...Standard product

Packaging form: R...Tray, M...Magazine stick



# JFA CONNECTOR J4000 SERIES PROTECTOR

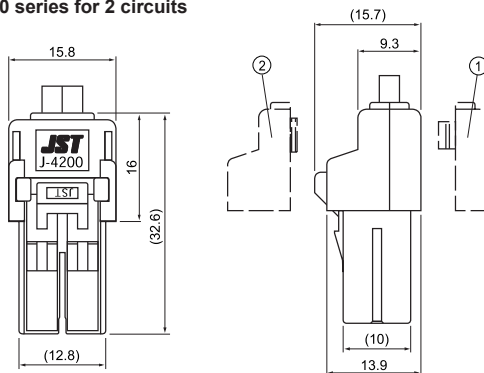


*When applying a current to the connector, the protector prevents foreign substances being inserted into mating part from the wiring side. However it has no function of holding the wire securely.*

*Note: Protector is not approved by UL/CSA/TÜV standards.*

## J4000 Series

### • J4200 series for 2 circuits

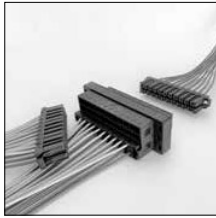


No.	Model No.	Color	Q'ty/box
1	<b>J42PF-02SCA</b>	Transparent	420
2	<b>J42PF-02SCB</b>	Transparent	252

#### Material

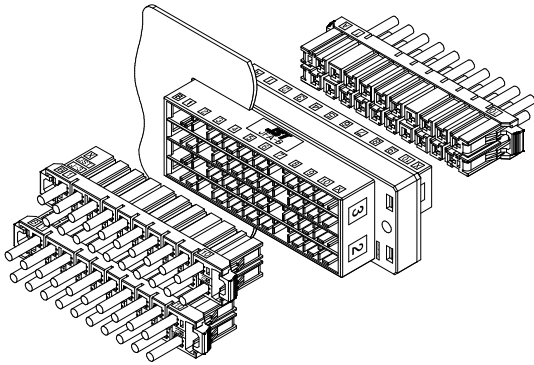
Polycarbonate

**RoHS compliance**



# JFA-B CONNECTOR

7.5 mm pitch/ Wire-to-Wire connectors /Crimp style and Mating style



JFA-B is a connector suitable for 1:2 branching of signals and power supplies for factory automation, heavy electrical equipment, railroad and other general industrial equipment applications.

- Applicable to wide range of wires sizes (AWG #28 to AWG #14)
- Keying available to prevent incorrect mating
- These same contacts are used in the JFA Connector J300 Series

## Specifications

• Current rating : AC/DC

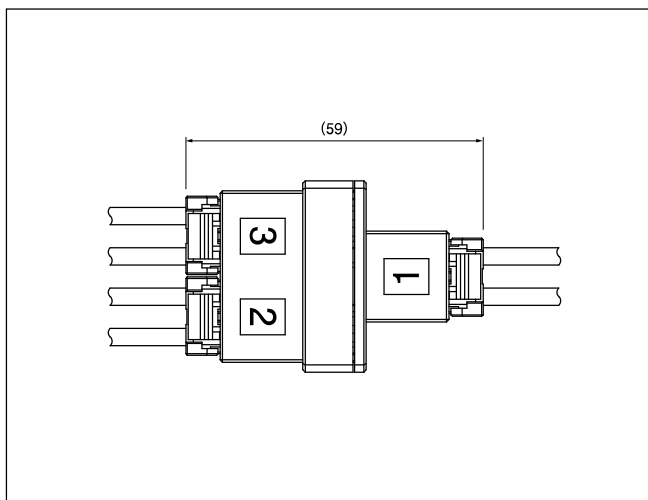
Current unit: A

Wire size (AWG)						Remarks
#14	#16	#18	#20	#22	#24	Total inputs per system
9	8	6.5	5.5	4.5	3.5	

- Voltage rating : 600 V AC/DC
- Temperature range : -55°C to +105°C  
(Including temperature rise in applying electrical current)
- Applicable wire range: AWG #28 to AWG #14  
Note) Please note that the above general specifications may differ from safety standards.

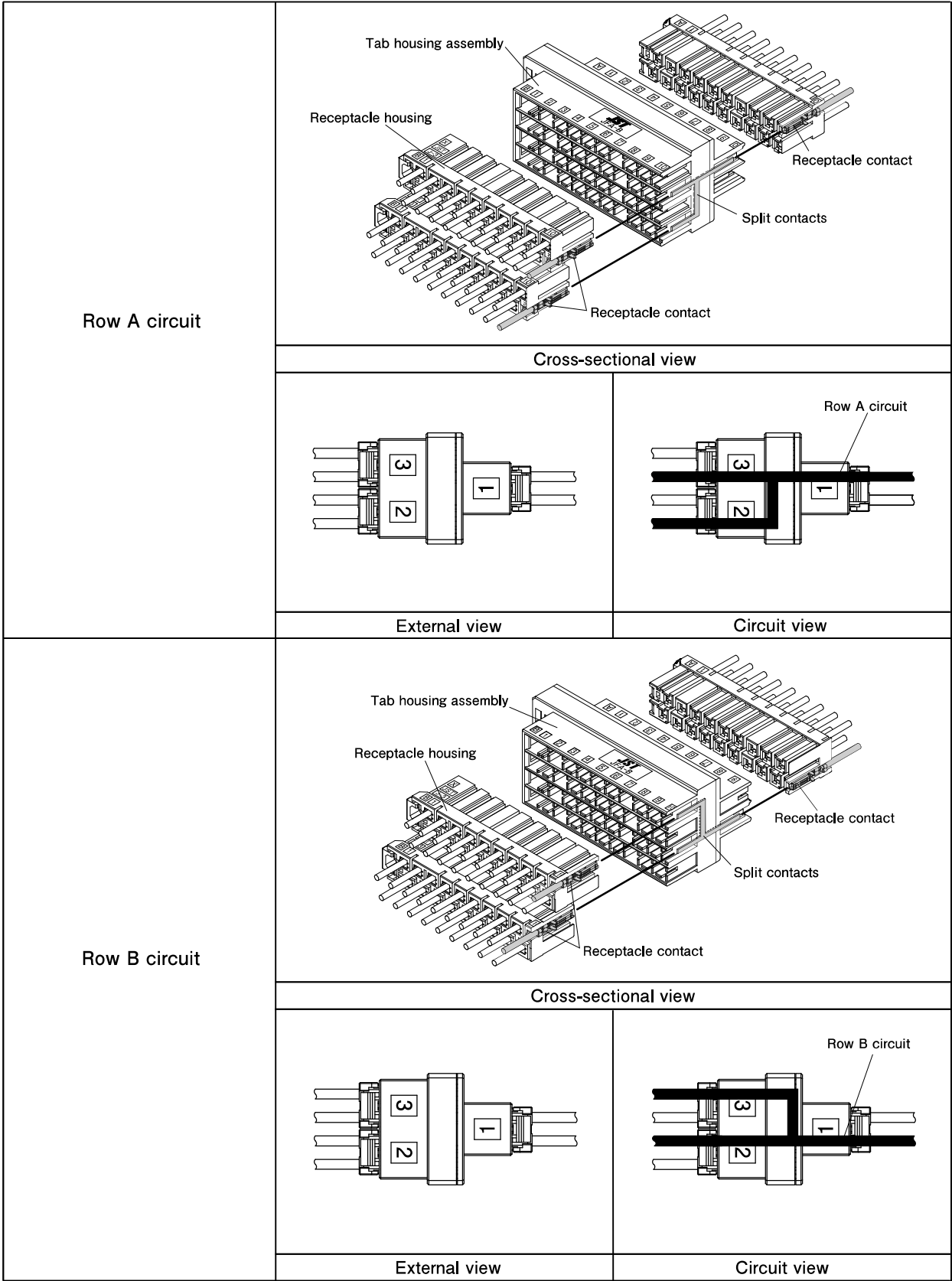
- \* Please refer to the "Handling Precautions for Terminals and Connectors" on our website (listed in the "Technical Documents" column on the Product Information page) before use.
- \* RoHS2 compliance
- \* Dimensional unit: mm
- \* Contact JST for details.

## Assembly layout



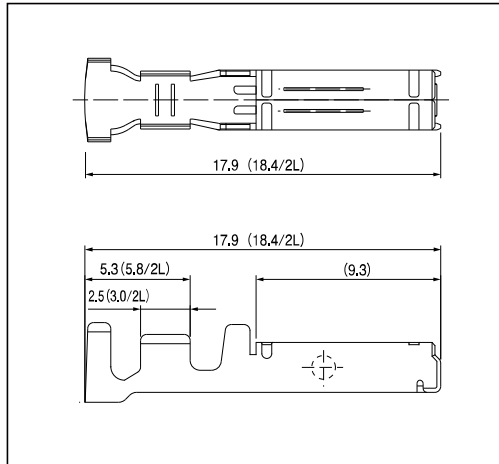
# JFA-B CONNECTOR

## Circuit diagram



# JFA-B CONNECTOR

## Receptacle contact



Strip contact Model No.	Loose piece contact Model No.	Applicable wire range			Q'ty		
		Nominal	mm <sup>2</sup>	AWG #	Insulation O.D. (mm)	reel	Box (loose piece)
SF3F-002(*)-P2.0	BF3F-002(*)-P2.0	S	0.08 to 0.20	28 to 24	0.8 to 1.4	3,700	1,000
SF3F-01(*)-P2.0	BF3F-01(*)-P2.0	M	0.20 to 0.50	24 to 20	1.2 to 2.6	3,700	1,000
SF3F-41(*)-P2.0	LF3F-41(*)-P2.0	L	0.50 to 1.25	20 to 16	1.8 to 2.8	3,200	1,000
SF3F-71(*)-P2.0	BF3F-71(*)-P2.0	2L	1.25 to 2.0	16 to 14	2.4 to 3.4	3,200	1,000

### Material and Surface finish, etc.

Copper alloy (superior conductivity), nickel-undercoated, selective gold-plated

Note) Surface finish (\*): GF ...Nickel-undercoated, 0.38 μm selective gold-plated  
 GFA...Nickel-undercoated, 0.38 μm selective gold-plated (type A)  
 GI ...Nickel-undercoated, 0.76 μm selective gold-plated  
 GIA...Nickel-undercoated, 0.76 μm selective gold-plated (type A)

## Crimping machine, Applicator

Strip contact Model No.	Crimping machine	Applicator	Crimp applicator with dies	Hand tools
SF3F-002(*)-P2.0	AP-K2N	MKS-L	APLMK SF3F/M002-20	YRK-8821
SF3F-01(*)-P2.0	AP-K2N	MKS-L	APLMK SF3F/M01-20	YRK-8811
SF3F-41(*)-P2.0	AP-K2N	MKS-L	APLMK SF3F/M41-20	YRK-8801
SF3F-71(*)-P2.0	AP-K2N	MKS-L	APLMK SF3F/M71-20	YRK-1071

Note 1) Surface finish (\*):

GF ...Nickel-undercoated, 0.38 μm selective gold-plated  
 GFA...Nickel-undercoated, 0.38 μm selective gold-plated (type A)  
 GI ...Nickel-undercoated, 0.76 μm selective gold-plated  
 GIA ...Nickel-undercoated, 0.76 μm selective gold-plated (type A)

Note 2) As for details of the hand crimping tool of YRS series used for crimping the strip (chain) contacts, please refer to the "Crimping Machines and Tools" on our website (listed in the "Technical Documents" column on the Product Information page).

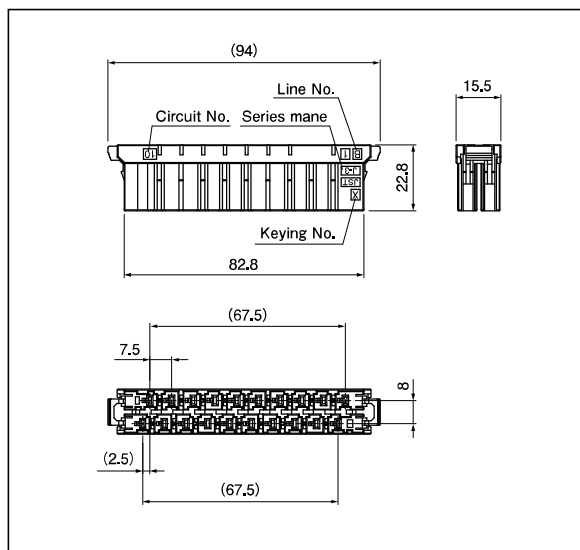
Loose piece contact Model No.	Hand tools
BF3F-002(*)-P2.0	YRF-882
BF3F-01(*)-P2.0	YRF-881
LF3F-41(*)-P2.0	YRF-880
BF3F-71(*)-P2.0	YRF-1070 YRF-1071

Note) Surface finish (\*):

GF ...Nickel-undercoated, 0.38 μm selective gold-plated  
 GFA...Nickel-undercoated, 0.38 μm selective gold-plated (type A)  
 GI ...Nickel-undercoated, 0.76 μm selective gold-plated  
 GIA ...Nickel-undercoated, 0.76 μm selective gold-plated (type A)

● Extraction tool for J300 series: EJ-JFAJ3

## Receptacle housing



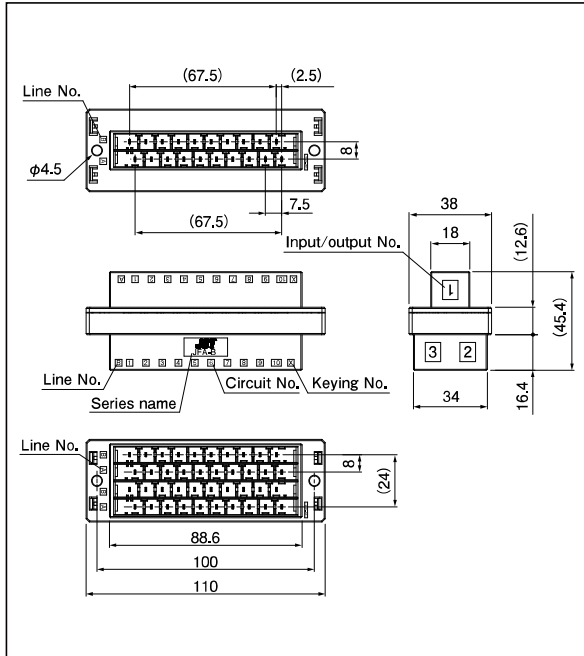
No. of circuits	Keying	Model No.	Q'ty / bag
20	X	FB3FDS-20V-KXA	50
	Y	FB3FDS-20V-SYA	50

### Material and Surface finish, etc.

PBT (Glass-filled), UL94V-0, X-Keying (Black), Y-Keying (White)

# JFA-B CONNECTOR

## Tab housing assembly



No. of circuit	Keying	Model No.	Q'ty / bag
60	X	P60B-FB3DK-GFXAR	45
	Y	P60B-FB3DS-GFYAR	45

### Material and Surface finish, etc.

Housing : PBT (Glass-filled), UL94V-0,

X-Keying (Black), Y-Keying (White)

Contact : Copper alloy, nickel-undercoated, selective gold-plated

Note 1) Keying for each input/output No. is identical.

2) Contact JST for 0.76 μm gold-plated product.

## (Ref.) Tab housing panel mount assembly

	Input/output No.1 side for panel mount	Input/output No. 2/3 side for panel mount
Panel layout		
Tab housing assembly panel mount image	<p>Panel</p>	<p>Panel</p>

# JFA-B CONNECTOR

## Model number allocation

### Receptacle contact

**S F3 F - 41 GF -P2.0**

Product form:  
 S··Strip form,  
 B··Loose piece  
 L··Loose piece with pre-bent wire barrel

Series name

Receptacle contact

Applicable wire range:  
 002··AWG #28 to #24, 01··AWG #24 to #20,  
 41··AWG #20 to #16, 71··AWG #16 to #14

Surface finish:  
 GF··Nickel-undercoated, 0.38 μm selective gold-plated  
 GFA··Nickel-undercoated, 0.38 μm selective gold-plated (Type A)  
 GI··Nickel-undercoated, 0.76 μm selective gold-plated  
 GIA··Nickel-undercoated, 0.76 μm selective gold-plated (Type A)

Material: Copper alloy

Contact size

### Receptacle housing

**FB3 F D S - 20 V - KX A**

Connector name

Receptacle housing

Number of rows: Dual-row

Mounting feature: Side locking

No. of circuits

Sub model number

Color/Keying: KX··Black, X-Keying  
 SY··Natural (White), Y-Keying

Sub model number

### Tab housing assembly

**P 60B - FB3 D K - GF X A R**

Mounting style: Panel mount

No. of circuits/Assembly product

Connector name

Number of rows: Dual-row

Color: K··Black, S··Natural (White)

Surface finish:  
 GF··Nickel-undercoated, 0.38 μm selective gold-plated

Keying: X··X-Keying, Y··Y-Keying

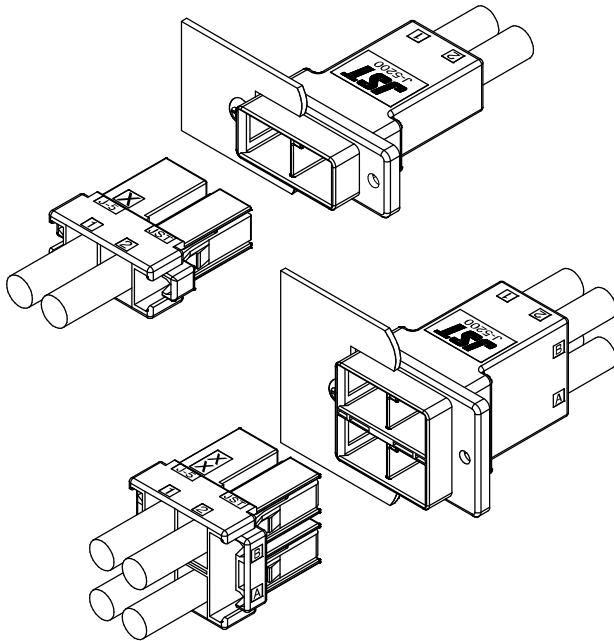
Sub model number

Packaging style: R··Tray



# JFA CONNECTOR J5000 SERIES

11.0 mm pitch / Disconnectable Crimp style Wire-to-wire connectors



This connector is corresponding to large current up to 50 A with single circuit (when using AWG #8). The 4 and 6 circuits of the J5200 series Dual-row type can select either the bulk insertion of the receptacle housing or the module types.

- High current capacity
- Dual-spring construction
- Housing lance
- Clear “click feeling”

## Standards

: Recognized E 60389

## Specifications

- Current rating: AC/DC

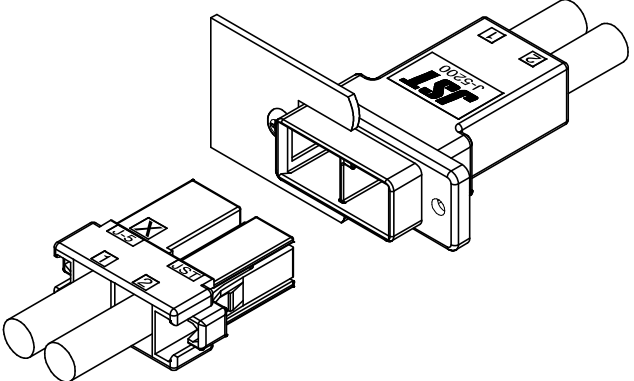
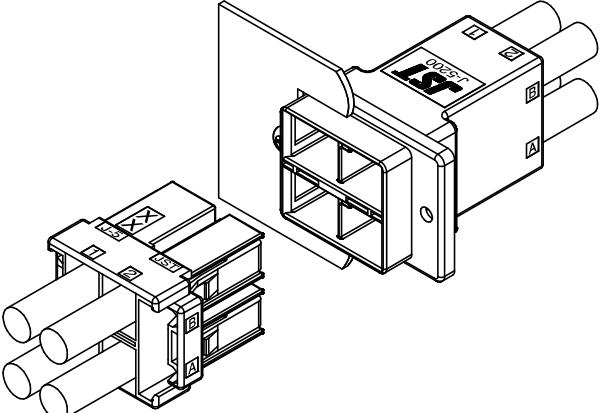
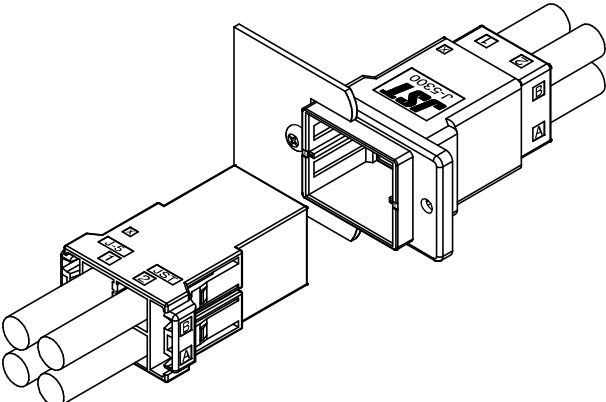
Current unit: A

No. of circuits	Wire size (AWG)				
	#8	#10	#12	#14	#16
1	50	37	30	24	20
2	45	34	28	22	18
3	43	34	27	21	17
4	42	32	26	20	16
6	40	32	26	20	16
10	35	28	22	17	14

- Voltage rating: 600 V AC/DC
- Temperature range: -55°C to +105°C (including temperature rise in applying electrical current)
- Applicable wire: AWG #16 to #8
- \* Please note that the above general specifications may differ from the safety standards.
- \* In using the products, refer to “Handling Precaution for Terminals and Connectors” described on our website (Technical documents of Product information page).
- \* RoHS2 compliance
- \* Dimensional unit: mm
- \* Contact JST for details.

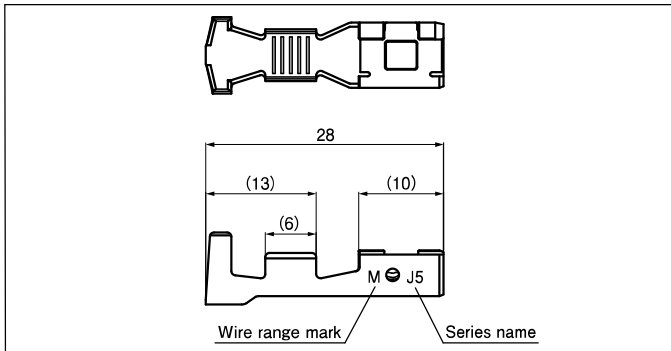
# JFA CONNECTOR / J5000 SERIES

## J5000 Series Products line-up

Type		11.0 mm pitch 600 V AC/DC
		Wire-to-wire
		Panel mounting Type
Side locking type (Line pitch: 14.5 mm)	J5200 Single-row type	
	No. of circuits	2, 3
	J5200 Dual-row Module type	
	No. of circuits	4, 6, 10
Side locking type (Line pitch: 10.0 mm)	J5300 Dual-row Module type	
	No. of circuits	4

# JFA CONNECTOR / J5000 SERIES

## Receptacle contact



Model No.		Wire range mark	Applicable wire			Q'ty	
Strip contact	Loose piece		mm <sup>2</sup>	AWG #	Insulation O.D. (mm)	Reel	Box (Loose piece)
SJ5F-71 (*)-M6.5	BJ5F-71 (*)-M6.5	S	1.25 to 2.0	16 to 14	3.1 to 4.0	800	200
SJ5F-81 (*)-M6.5	LJ5F-81 (*)-M6.5	M	3.5 to 5.5	12 to 10	4.0 to 5.3	600	150
SJ5F-91 (*)-M6.5	LJ5F-91 (*)-M6.5	L	8.0	8	7.2 to 8.2	450	100

### Material and Finish

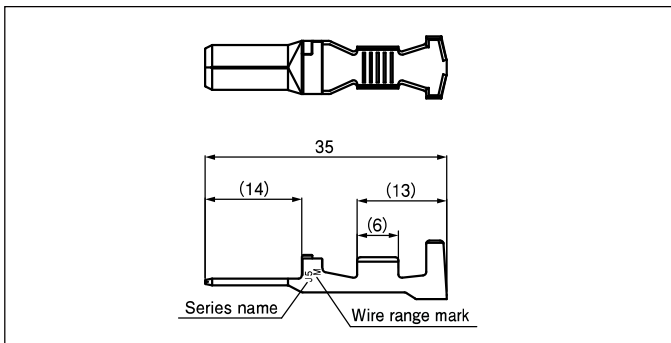
Copper alloy (superior conductivity), nickel-undercoated, selective gold-plated

### RoHS2 compliance

Note: 1. Surface finish (\*): GF...Nickel-undercoated, 0.38 μm selective gold-plated  
GI ...Nickel-undercoated, 0.76 μm selective gold-plated

2. Please note that the above general specifications may differ from the safety standards.

## Tab contact



Model No.		Wire range mark	Applicable wire			Q'ty	
Strip contact	Loose piece		mm <sup>2</sup>	AWG #	Insulation O.D. (mm)	Reel	Box (Loose piece)
SJ5M-71 (*)-M6.5	BJ5M-71 (*)-M6.5	S	1.25 to 2.0	16 to 14	3.1 to 4.0	800	200
SJ5M-81 (*)-M6.5	LJ5M-81 (*)-M6.5	M	3.5 to 5.5	12 to 10	4.0 to 5.3	600	150
SJ5M-91 (*)-M6.5	LJ5M-91 (*)-M6.5	L	8.0	8	7.2 to 8.2	450	100

### Material and Finish

Copper alloy (superior conductivity), nickel-undercoated, selective gold-plated

### RoHS2 compliance

Note: 1. Surface finish (\*): GF...Nickel-undercoated, 0.38 μm selective gold-plated  
GI ...Nickel-undercoated, 0.76 μm selective gold-plated

2. Please note that the above general specifications may differ from the safety standards.

## Crimping machine, Applicator

Strip contact Model No.	Crimping machine	Applicator	Crimp applicator with dies
SJ5F-71 (*)-M6.5	AP-K2N	MKS-L-J5	APLMK SJ5F/M71-65
SJ5M-71 (*)-M6.5			
SJ5F-81 (*)-M6.5			
SJ5M-81 (*)-M6.5			
SJ5F-91 (*)-M6.5	AP-K6A	MKS-L-J5L	APLMK SJ5F/M91-65
SJ5M-91 (*)-M6.5			

Note: Surface finish (\*): GF...Nickel-undercoated, 0.38 μm selective gold-plated  
GI ...Nickel-undercoated, 0.76 μm selective gold-plated

Loose piece contact	Hand tool
BJ5F-71 (*)-M6.5	YRF-888
BJ5M-71 (*)-M6.5	
LJ5F-81 (*)-M6.5	
LJ5M-81 (*)-M6.5	YRF-889
LJ5F-91 (*)-M6.5	
LJ5M-91 (*)-M6.5	Battery operated type *BCT-860JFA

Extraction tool for J5000 series: EJ-JFAJ5

Note: 1. Surface finish (\*): GF...Nickel-undercoated, 0.38 μm selective gold-plated  
GI ...Nickel-undercoated, 0.76 μm selective gold-plated

2. \*Contact JST for BCT-860JFA.

## Recognition mark

### • Indication of plating

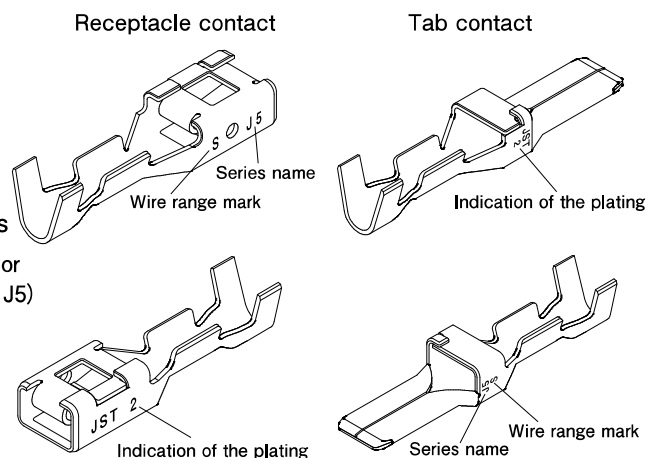
Each contact has a marking on its side so that the type or thickness of the plating is recognized.

- 2 ... gold-plated 0.38 μm thickness
- 3 ... gold-plated 0.76 μm thickness

### • Common marking on the contact and its application tools

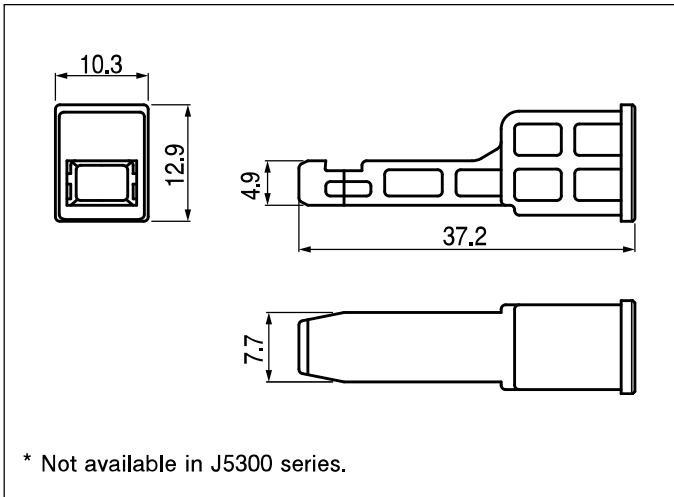
In order to avoid incorrect combination of the hand crimp tools or extraction tools and the contacts, the series name (for example J5) and wire range mark (S, M, L) are shown on both the tools and the contacts.

- J5 S ... AWG # 16 to # 14
- M ... AWG # 12 to # 10
- L ... AWG # 8



# JFA CONNECTOR / J5000 SERIES

## Keying plug

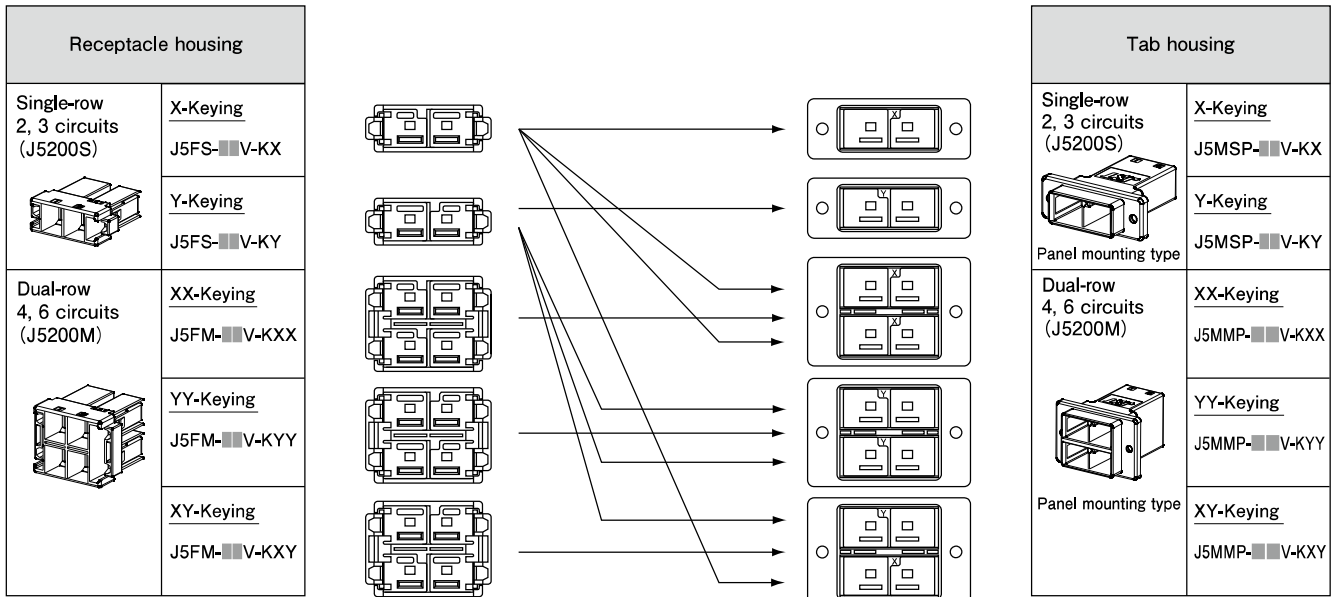


Model No.	Material
J5KP-VS	Glass-filled PBT, UL94V-0, white

RoHS2 compliance

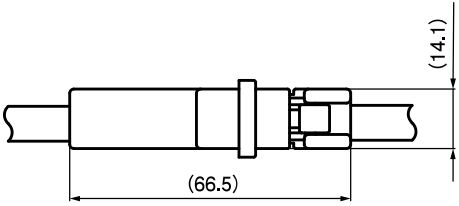
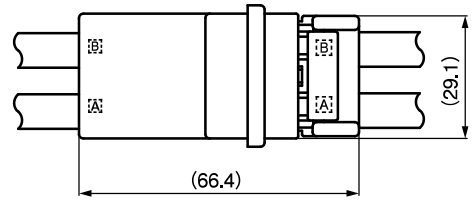
## List of combinations

J5200 series is used in the combinations shown in the figure below.

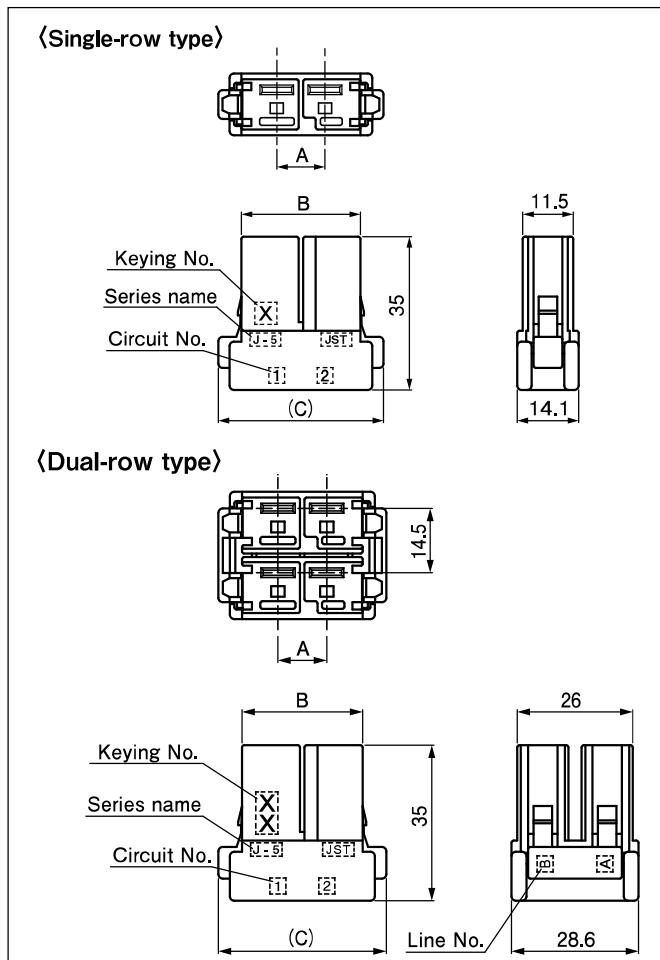


# J5000 SERIES / J5200

## Assembly layout

		When inserting a receptacle housing	When inserting two receptacle housings side by side as the module
Single-row type	Wire-to-wire		/
Dual-row type	Wire-to-wire		

## Receptacle housing



Type	No. of circuits	Keying	Model No.	Dimensions (mm)			Q'ty/box
				A	B	C	
Single-row type	2	X	J5FS-02V-KX	11.0	27.2	37.8	50 (bag)
		Y	J5FS-02V-KY	11.0	27.2	37.8	50 (bag)
	3	X	J5FS-03V-KX	22.0	38.2	48.8	50 (bag)
		Y	J5FS-03V-KY	22.0	38.2	48.8	50 (bag)
Dual-row type	4	XX	J5FM-04V-KXX	11.0	27.2	37.8	180
		YY	J5FM-04V-KYY	11.0	27.2	37.8	180
		XY	J5FM-04V-KXY	11.0	27.2	37.8	180
	6	XX	J5FM-06V-KXX	22.0	38.2	48.8	126
		YY	J5FM-06V-KYY	22.0	38.2	48.8	126
		XY	J5FM-06V-KXY	22.0	38.2	48.8	126
	10	XX	J5FM-10V-KXX	44.0	60.2	70.8	28
		YY	J5FM-10V-KYY	44.0	60.2	70.8	28

### Material and Finish

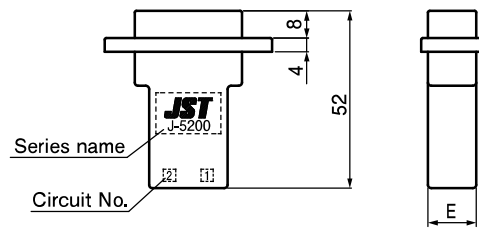
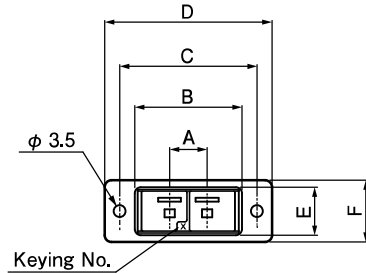
Glass-filled PBT, UL94V-0, black

RoHS2 compliance

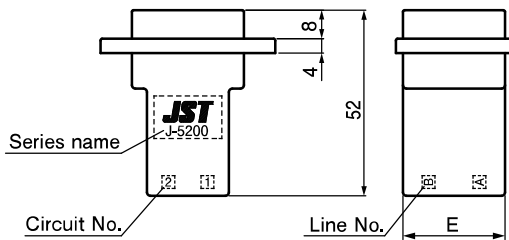
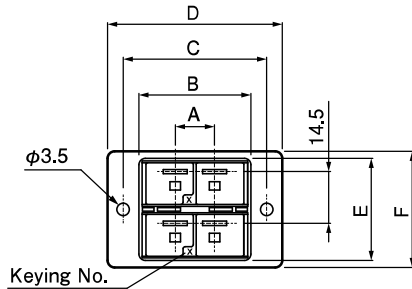
# J5000 SERIES / J5200

## Tab housing (Panel mounting type)

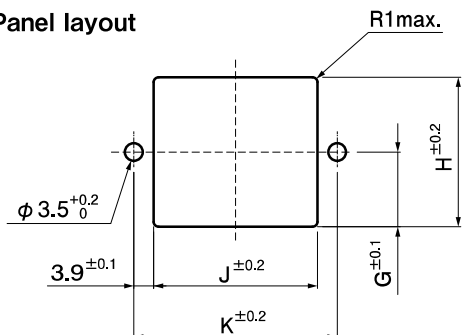
### (Single-row type)



### (Dual-row type)



### • Panel layout



Type	No. of circuits	Keying	Model No.	Dimensions (mm)						Q'ty /box
				A	B	C	D	E	F	
Single-row type	2	X	J5MSP-02V-KX	11.0	31.4	40.2	49.0	14.1	18.1	40 (bag)
		Y	J5MSP-02V-KY	11.0	31.4	40.2	49.0	14.1	18.1	40 (bag)
	3	X	J5MSP-03V-KX	22.0	42.4	51.2	60.0	14.1	18.1	40 (bag)
Y		J5MSP-03V-KY	22.0	42.4	51.2	60.0	14.1	18.1	40 (bag)	
Dual-row type	4	XX	J5MMP-04V-KXX	11.0	31.4	40.2	49.0	28.6	32.6	72
		YY	J5MMP-04V-KYY	11.0	31.4	40.2	49.0	28.6	32.6	72
		XY	J5MMP-04V-KXY	11.0	31.4	40.2	49.0	28.6	32.6	72
	6	XX	J5MMP-06V-KXX	22.0	42.4	51.2	60.0	28.6	32.6	63
		YY	J5MMP-06V-KYY	22.0	42.4	51.2	60.0	28.6	32.6	63
		XY	J5MMP-06V-KXY	22.0	42.4	51.2	60.0	28.6	32.6	63
	10	XX	J5MMP-10V-KXX	44.0	64.4	73.2	82.0	29.6	33.6	14
		YY	J5MMP-10V-KYY	44.0	64.4	73.2	82.0	29.6	33.6	14

#### Material and Finish

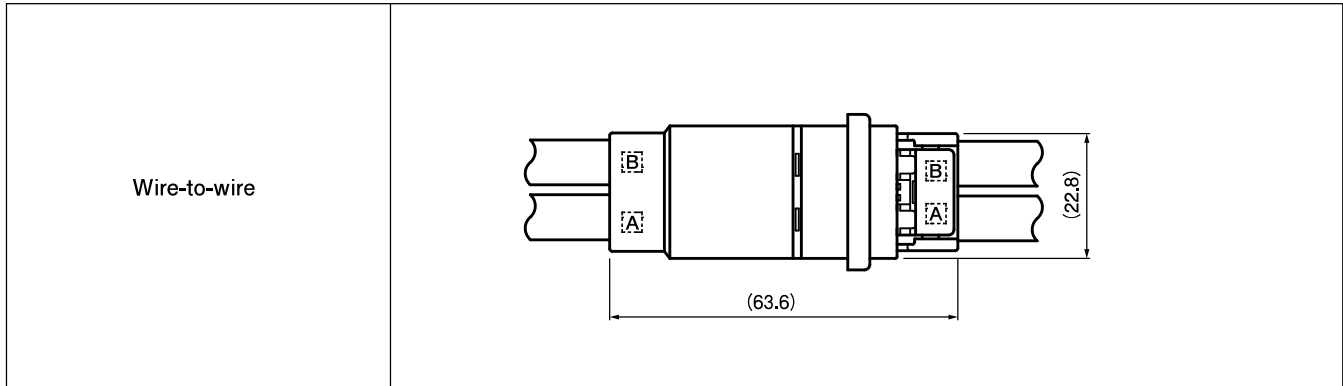
Glass-filled PBT, UL94V-0, black

#### RoHS2 compliance

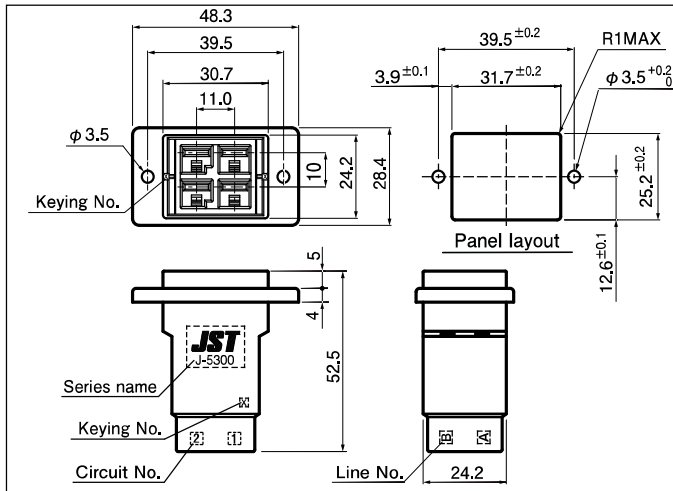
- Note: 1. Punch holes in the panel. Burrs must be removed.  
 2. The strength of the panel must be considered when punching two or more holes.  
 3. The connector must be inserted from the same side as the hole is punched.

Type	No. of circuits	Dimensions (mm)			
		G	H	J	K
Single-row type	2	7.55	15.1	32.4	40.2
	3	7.55	15.1	43.4	51.2
Dual-row type	4	14.8	29.6	32.4	40.2
	6	14.8	29.6	43.4	51.2
	10	15.3	30.6	65.4	73.2

## Assembly layout



## Receptacle housing (Reverse type Panel mounting type)



No. of circuits	Keying	Model No.	Q'ty/box
4	X	J53FDRP-04V-KX	36
	Y	J53FDRP-04V-KY	36
	Z	J53FDRP-04V-KZ	36

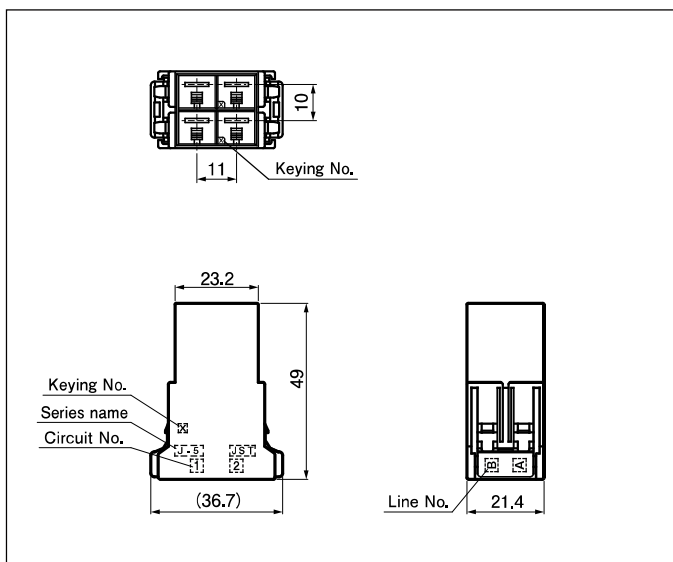
### Material and Finish

Glass-filled PBT, UL94V-0, black

### RoHS2 compliance

- Note: 1. Punch holes in the panel. Burrs must be removed.  
 2. The strength of the panel must be considered when punching two or more holes.  
 3. The connector must be inserted from the same side as the hole is punched.

## Tab housing (Reverse type)



No. of circuits	Keying	Model No.	Q'ty/box
4	X	J53MDR-04V-KX	48
	Y	J53MDR-04V-KY	48
	Z	J53MDR-04V-KZ	48

### Material and Finish

Glass-filled PBT, UL94V-0, black

### RoHS2 compliance

# JFA CONNECTOR / J5000 SERIES

## Model number allocation

### Receptacle contact

**S J5 F - 71 GF - M 6.5**

Form:  
 S...Strip form  
 B...Loose piece  
 L...Loose piece with curled barrels

Series name

Type: F...Receptacle contact

Applicable wire range: 71...AWG #16 to #14  
 81...AWG #12 to #10  
 91...AWG #8

Surface finish:  
 GF...Nickel-undercoated, 0.38 μm selective gold-plated  
 GI...Nickel-undercoated, 0.76 μm selective gold-plated

Material: M...Copper alloy

Terminal size

### Tab contact

**S J5 M - 71 GF - M 6.5**

Form:  
 S...Strip form  
 B...Loose piece  
 L...Loose piece with curled barrels

Series name

Type: M...Tab contact

Applicable wire range: 71...AWG #16 to #14  
 81...AWG #12 to #10  
 91...AWG #8

Surface finish:  
 GF...Nickel-undercoated, 0.38 μm selective gold-plated  
 GI...Nickel-undercoated, 0.76 μm selective gold-plated

Material: M...Copper alloy

Terminal size

### Receptacle housing

**J53 F D RP - 04 V - K X**

Series name

Type of connector: F...Receptacle housing

Rows: S...Single-row  
 D...Dual-row  
 M...Dual-row Module

Mounting arrangement:  
 None...Normal type  
 RP...Reverse type Panel mounting

No. of circuits

Flammability: UL94V-0

Color: K...Black

Keying: X...X-Keying, Y...Y-Keying, Z...Z-Keying  
 XX...XX-Keying, YY...YY-Keying, XY...XY-Keying

### Tab housing

**J53 M D R - 04 V - K X**

Series name

Type of connector: M...Tab housing

Rows: S...Single-row  
 D...Dual-row  
 M...Dual-row Module

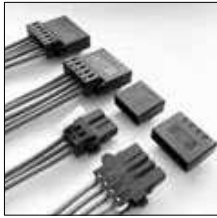
Mounting arrangement:  
 P...Normal type Panel mounting  
 R...Reverse type Panel mounting

No. of circuits

Flammability: UL94V-0

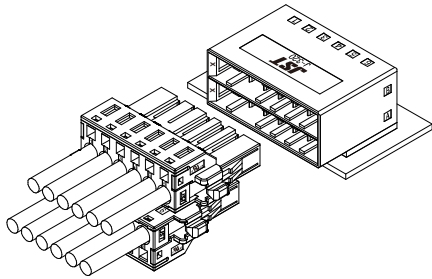
Color: K...Black

Keying: X...X-Keying, Y...Y-Keying, Z...Z-Keying  
 XX...XX-Keying, YY...YY-Keying, XY...XY-Keying



# J-FAT CONNECTOR

3.5/5/5.08/6.35/8/10/15 mm pitch/  
Wire-to-Board connectors (Spring Clamp)



The spring type connection structure provides easy wire connection operation with an open tool.

## Specifications

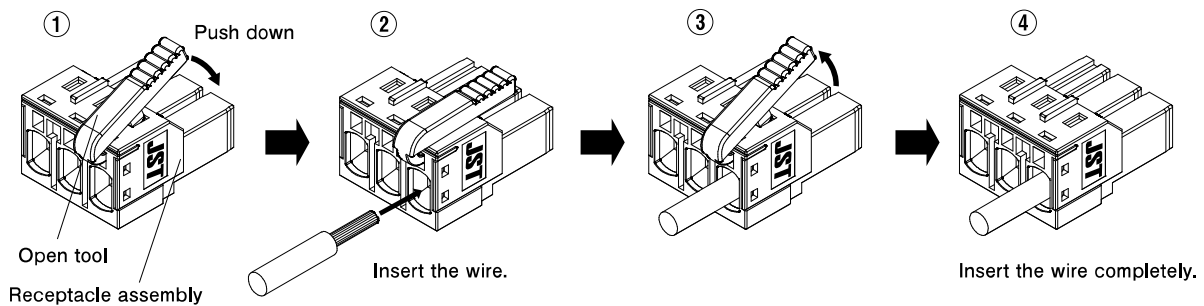
Current unit: A

Series name	No. of circuits	Current rating (AC/DC)								Voltage rating (AC/DC)	
		Wire size (AWG)									
		#8	#10	#12	#14	#16	#18	#20	#22		#24
Mini-J-FAT	2	-	-	-	-	-	-	7	6	5	250 V
J-FAT-S-K	6	-	-	-	12	11	9	-	-	-	
J-FAT-S-H	5	-	-	-	13.5	11.5	9.5	-	-	-	300 V
	9	-	-	-	12	11	9	-	-	-	
J-FAT-S-A	3	-	-	-	13	12.25	10.5	-	-	-	
	4	-	-	-	12	11.25	10	-	-	-	
	5	-	-	-	11.25	10.5	9.5	-	-	-	
	6	-	-	-	10.5	9.75	9	-	-	-	
J-FAT-S-A	10	-	-	-	9.25	8.5	8	-	-	-	
	12	-	-	-	9	8.25	7.75	-	-	-	
J-FAT-S-F	6	-	-	-	9.75	9.75	9	-	-	-	
J-FAT-S-G	4	-	-	-	11.25	11.25	10	-	-	-	
J-FAT-S-KT	3	-	-	20	15	13	11	-	-	-	
J-FAT-S-4300	3	-	-	20	17	15	-	-	-	-	600 V
	3	-	23	21	18	15	-	-	-	-	
J-FAT-S-XL	5	-	21	18	16	14	-	-	-	-	
	6	-	21	18	16	14	-	-	-	-	
	7	-	21	18	16	13	-	-	-	-	
J-FAT-S-P	3	43	30	21	18	15	-	-	-	-	

Note) Please note that the above general specifications may differ from safety standards.

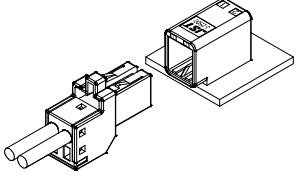
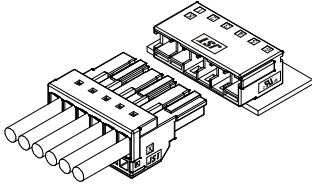
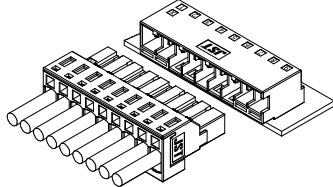
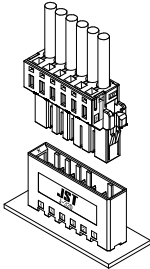
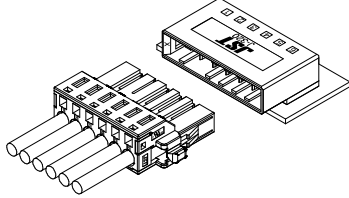
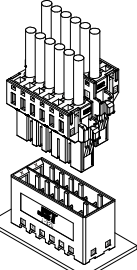
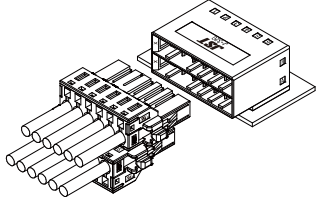
- \* Please refer to the "Handling Precautions for Terminals and Connectors" on our website (listed in the "Technical Documents" column on the Product Information page) before use.
- \* RoHS2 compliance
- \* Dimensional unit: mm
- \* Contact JST for details.

## Wire connection method



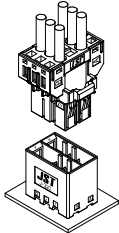
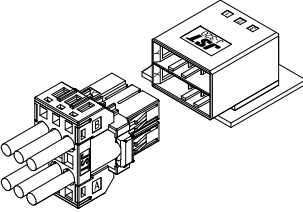
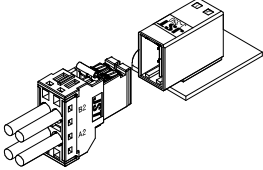
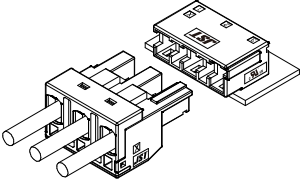
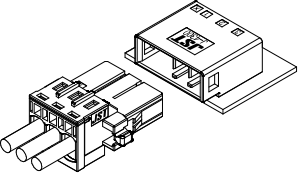
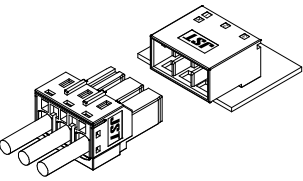
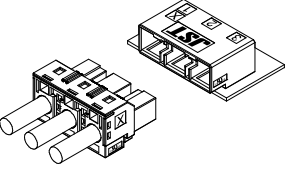
# J-FAT CONNECTOR

## J-FAT connector Product lineup

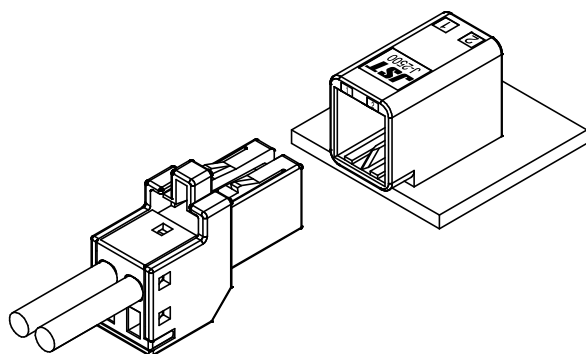
Voltage rating	Pitch between circuits	Series name	Top entry type	Side entry type	Applicable wire
250 V	3.5 mm	Mini-J-FAT		 <p>(Applicable header: JFA J2500 header)</p>	AWG#24 to AWG#20
				No. of circuits	
300 V	5 mm	J-FAT-S-K		 <p>(Applicable header: J-FAT-S-K header)</p>	AWG#18 to AWG#14
		No. of circuits	6		
	J-FAT-S-H		 <p>(Applicable header: J-FAT-S-H header)</p>		
	No. of circuits	5, 9			
	5.08 mm	J-FAT-S-A	 <p>(Applicable header: JFA J320S header)</p>	 <p>(Applicable header: JFA J320S header)</p>	
			No. of circuits	3, 4, 5, 6	
 <p>(Applicable header: JFA J320M header)</p>			 <p>(Applicable header: JFA J320M header)</p>		
No. of circuits			6, 10, 12	No. of circuits	6, 10, 12

# J-FAT CONNECTOR

## J-FAT connector Product lineup

Voltage rating	Pitch between circuits	Series name	Top entry type	Side entry type	Applicable wire	
300 V	5.08 mm	J-FAT-S-F	 (Applicable header: JFA J320M header)	 (Applicable header: JFA J320M header)	AWG#18 to AWG#14	
						No. of circuits
	10 mm	J-FAT-S-G				 (Applicable header: JFA J350D header)
	10 mm	J-FAT-S-KT				 (Applicable header: J-FAT-S-KT header)
600 V	6.35 mm	J-FAT-S-4300		 (Applicable header: JFA J4300 header)	AWG#16 to AWG#12	
				No. of circuits	3	
	8 mm	J-FAT-S-XL		 (Applicable header: J-FAT-S-L header)	AWG#16 to AWG#10	
				No. of circuits	3, 5, 6, 7	
	15 mm	J-FAT-S-P		 (Applicable header: J-FAT-S-P header)	AWG#16 to AWG#8	
				No. of circuits	3	

# J-FAT CONNECTOR/Mini Series



## ■ Specifications

• Current rating: AC/DC

Current unit: A

Wire size (AWG)		
#20	#22	#24
7	6	5

- Voltage rating: 250 V AC/DC
- Temperature range: -55°C to +105°C (Including temperature rise in applying electrical current)
- Contact resistance: Initial value / 20 mΩ max.  
After environmental tests / 40 mΩ max.
- Insulation resistance: Initial value / 1,000 MΩ min.  
After environmental tests / 100 MΩ min.
- Withstanding voltage: There shall be no breakdown or flashover while applying 1,500 VAC for one minute.
- Applicable wire range: AWG #24 to AWG #20
- Applicable PC board thickness: 1.6 mm

Note) Please note that the above general specifications may differ from safety standards.

\* Please refer to the "Handling Precautions for Terminals and Connectors" on our website (listed in the "Technical Documents" column on the Product Information page) before use.

\* RoHS2 compliance

\* Dimensional unit : mm

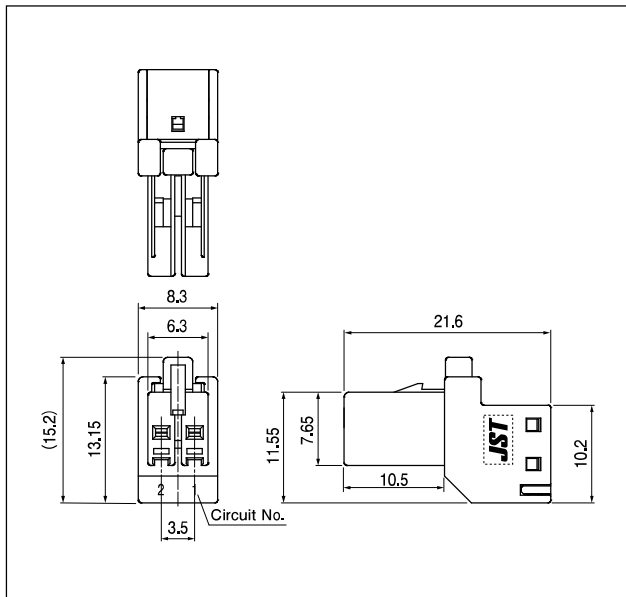
\* Contact JST for details.

## Assembly layout

		Mini-J-FAT Receptacle assembly
JFA J2500 Header	Normal type	
	Reverse type	

# J-FAT CONNECTOR/Mini Series

## Receptacle assembly

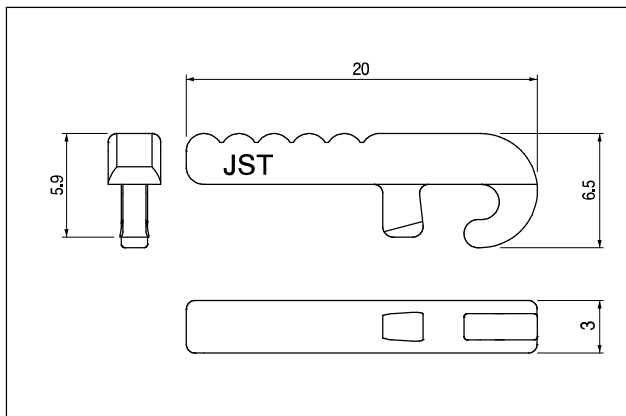


No. of circuits	Keying	Model No.	Q'ty/box
2	—	02MJFAT-SAGF	270

### Material and Surface finish, etc.

Receptacle contact: Copper alloy,  
nickel-undercoated, selective gold-plated  
Housing: PBT (Glass-filled), UL94V-0, black  
Cover: PBT (Glass-filled), UL94V-0, black  
Spring: Stainless

## Open tool



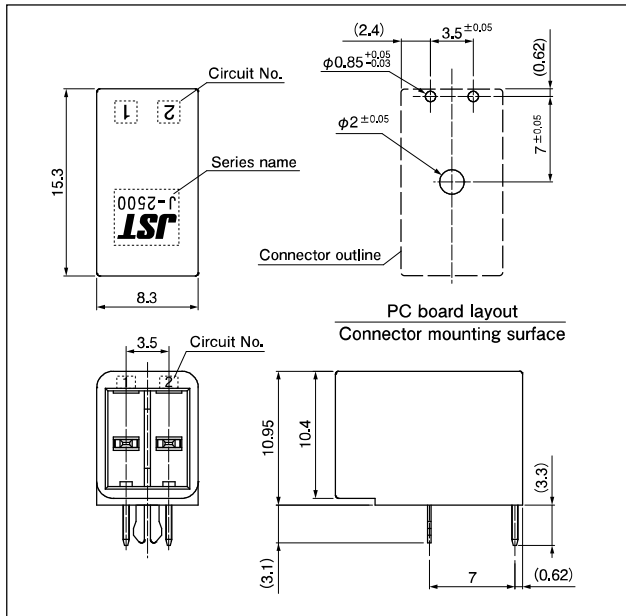
Model No.	Q'ty/bag
MJFAT-OT	1,000

### Material and Surface finish, etc.

PA (Glass-filled)

# J-FAT CONNECTOR/Mini Series

## Header (Side entry type)



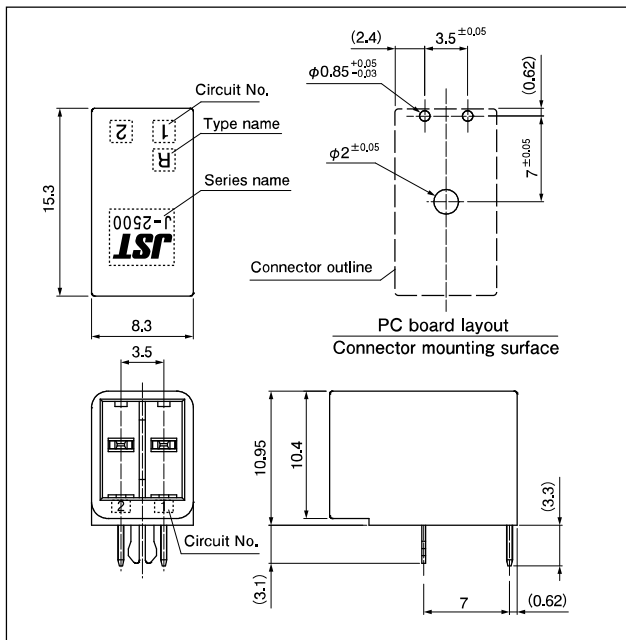
No. of circuits	Keying	Model No.	Q'ty/box
2	—	S02B-J25SK-GGR	364

### Material and Surface finish, etc.

Tab contact: Copper alloy,  
nickel-undercoated, selective gold-plated  
Housing: PBT (Glass-filled), UL94V-0, black  
Reinforcement: Copper alloy,  
nickel-undercoated, selective gold-plated

This product displays (LF)(AU) on a label.

## Header (Side entry type/Reverse type)



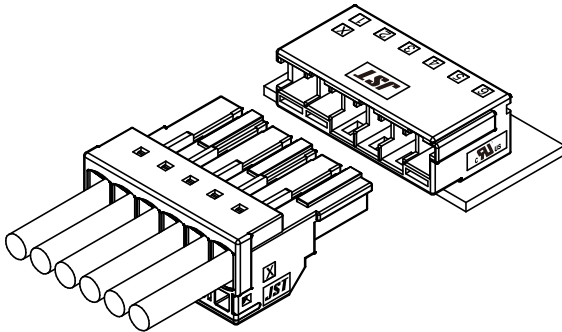
No. of circuits	Keying	Model No.	Q'ty/box
2	—	SR02B-J25SK-GGR	364

### Material and Surface finish, etc.

Tab contact: Copper alloy,  
nickel-undercoated, selective gold-plated  
Housing: PBT (Glass-filled), UL94V-0, black  
Reinforcement: Copper alloy,  
nickel-undercoated, selective gold-plated

This product displays (LF)(AU) on a label.

# J-FAT CONNECTOR /S-K Series



## Standards

 : Recognized E 239668

\* Please contact JST for details on the above safety standards.

## Specifications

• Current rating : AC/DC

Current unit: A

Wire size (AWG)		
# 14	# 16	# 18
12	11	9

- Voltage rating: 300 V AC/DC
- Temperature range: -55°C to +105°C (Including temperature rise in applying electrical current)
- Contact resistance: Initial value / 20 mΩ max.  
After environmental tests / 40 mΩ max.
- Insulation resistance: Initial value / 1,000 MΩ min.  
After environmental tests / 100 MΩ min.
- Withstanding voltage: There shall be no breakdown or flashover while applying 2,200 VAC for one minute.
- Applicable wire range: AWG #18 to AWG #14
- Applicable PC board thickness: 1.6 mm

Note) Please note that the above general specifications may differ from safety standards.

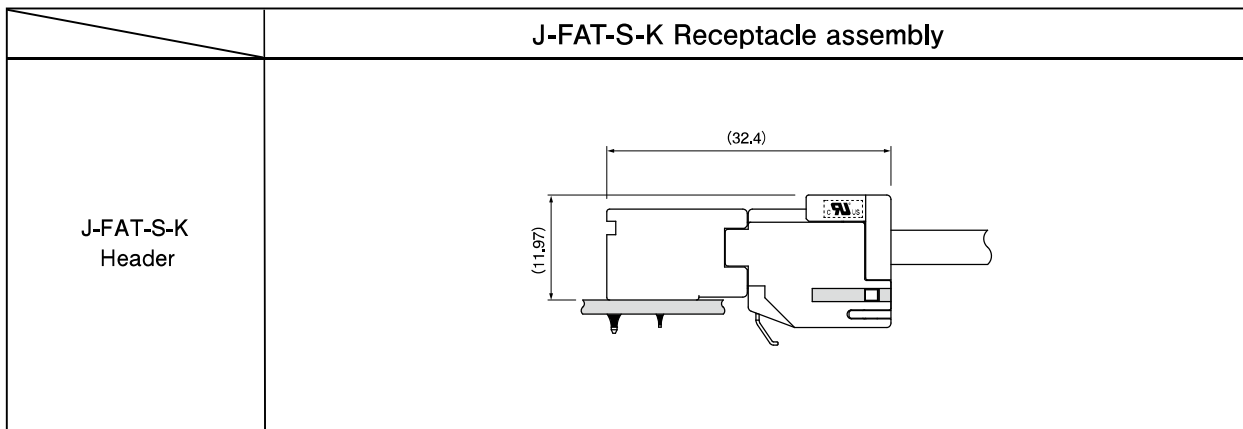
\* Please refer to the "Handling Precautions for Terminals and Connectors" on our website (listed in the "Technical Documents" column on the Product Information page) before use.

\* RoHS2 compliance

\* Dimensional unit: mm

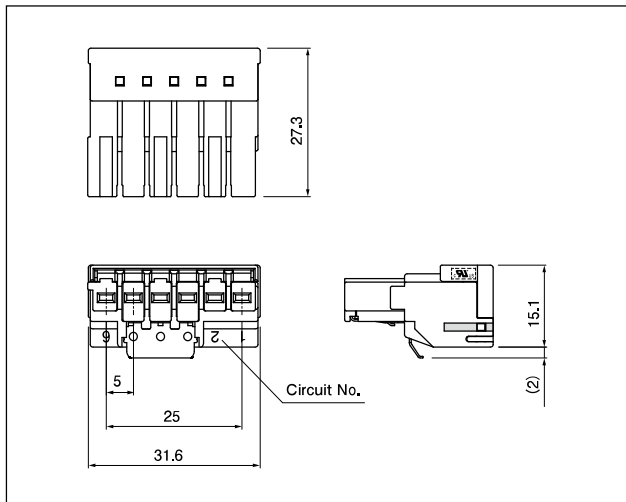
\* Contact JST for details.

## Assembly layout



# J-FAT CONNECTOR /S-K Series

## Receptacle assembly

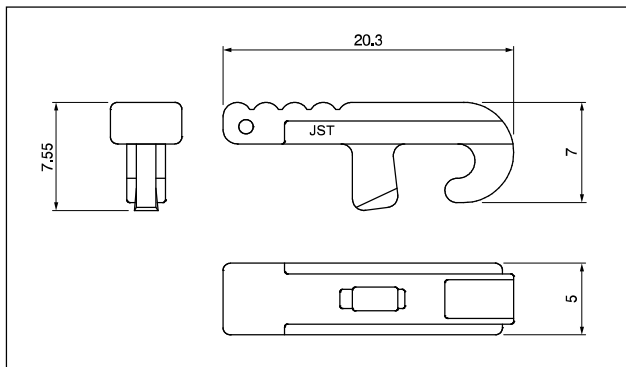


No. of circuits	Keying	Model No.	Q'ty/box
6	X	06JFAT-SAXGDK-K5.0	216

### Material and Surface finish, etc.

Receptacle contact: Copper alloy,  
nickel-undercoated, selective gold-plated  
Housing: PBT (Glass-filled), UL94V-0, black  
Cover: PBT (Glass-filled), UL94V-0, black  
Spring: Stainless  
Lock lever: Stainless

## Open tool

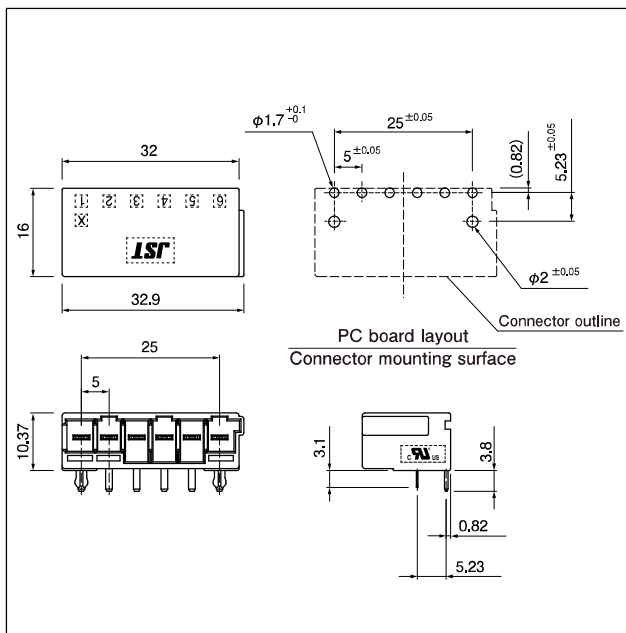


Model No.	Q'ty/box
J-FAT-OT (N)	1,000

### Material and Surface finish, etc.

PA (Glass-filled)

## Header (Side entry type)



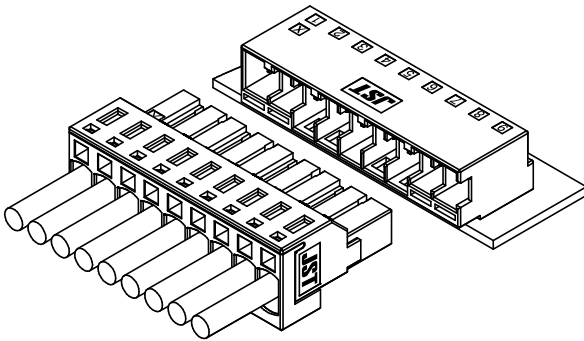
No. of circuits	Keying	Model No.	Q'ty/box
6	X	SC06B-JTSK5.0SK-GEKKR	216

### Material and Surface finish, etc.

Tab contact: Copper alloy,  
nickel-undercoated, selective gold-plated  
Housing: PA (Glass-filled), UL94V-0, black  
Reinforcement: Copper alloy,  
nickel-undercoated, selective gold-plated

This product displays (A) on a label.

# J-FAT CONNECTOR / S-H Series



## Standards

UL : Recognized E 239668

\* Please contact JST for details on the above safety standards.

## Specifications

• Current rating : AC/DC

Current unit: A

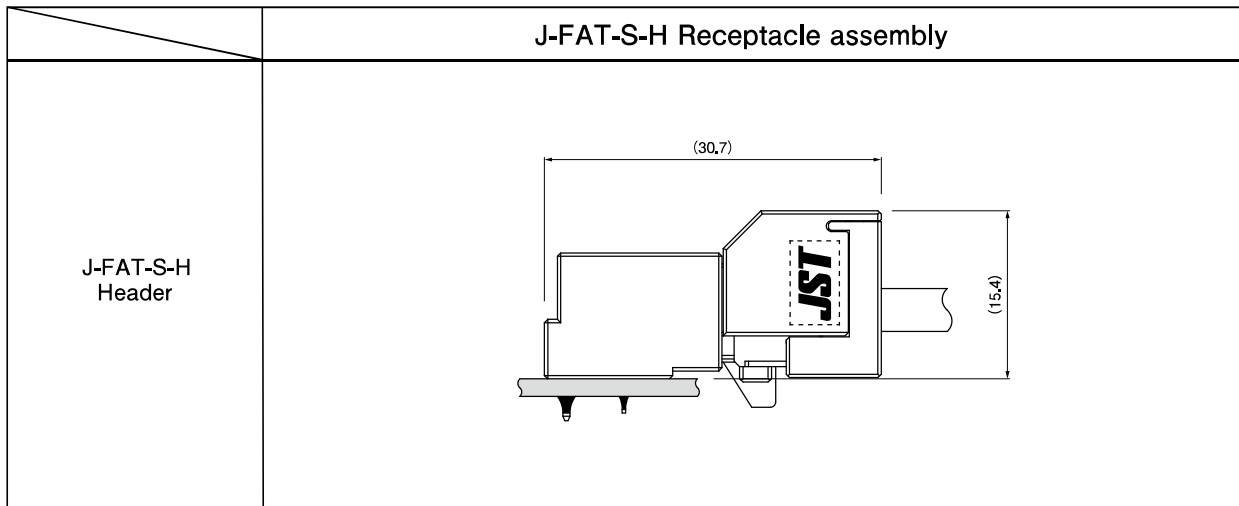
No. of circuits	Wire size (AWG)		
	# 14	# 16	# 18
5	13.5	11.5	9.5
9	12	11	9

- Voltage rating: 300 V AC/DC
- Temperature range: -55°C to +105°C (Including temperature rise in applying electrical current)
- Contact resistance: Initial value / 20 mΩ max.  
After environmental tests / 40 mΩ max.
- Insulation resistance: Initial value / 1,000 MΩ min.  
After environmental tests / 100 MΩ min.
- Withstanding voltage: There shall be no breakdown or flashover while applying 2,200 VAC for one minute.
- Applicable wire range: AWG #18 to AWG #14
- Applicable PC board thickness: 1.6 mm to 2.4 mm

Note) Please note that the above general specifications may differ from safety standards.

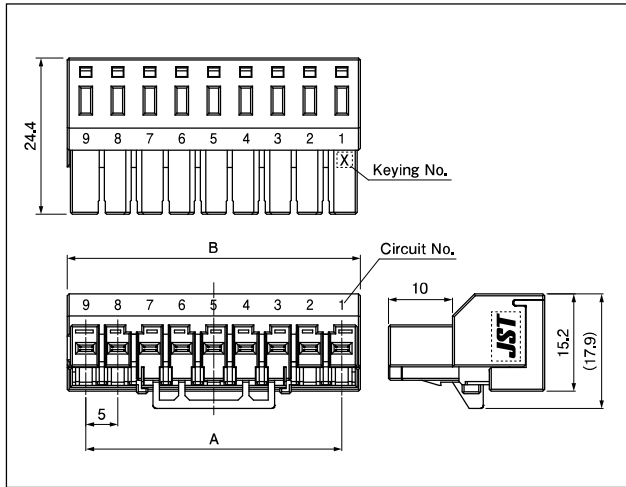
- \* Please refer to the "Handling Precautions for Terminals and Connectors" on our website (listed in the "Technical Documents" column on the Product Information page) before use.
- \* RoHS2 compliance
- \* Dimensional unit: mm
- \* Contact JST for details.

## Assembly layout



# J-FAT CONNECTOR / S-H Series

## Receptacle assembly

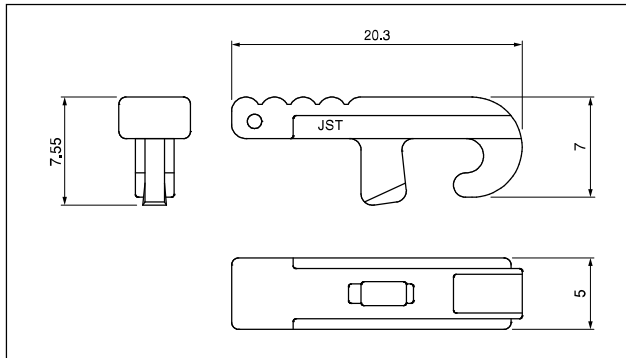


No. of circuits	Keying	Model No.	Dimensions (mm)		Q'ty/box
			A	B	
5	X	05JFAT-SAXGDK-H5.0	20	25.8	198
9	X	09JFAT-SAXGDK-H5.0	40	45.8	108

### Material and Surface finish, etc.

Receptacle contact: Copper alloy,  
nickel-undercoated, selective gold-plated  
Housing: PBT (Glass-filled), UL94V-0, black  
Cover: PBT (Glass-filled), UL94V-0, black  
Spring: Stainless

## Open tool

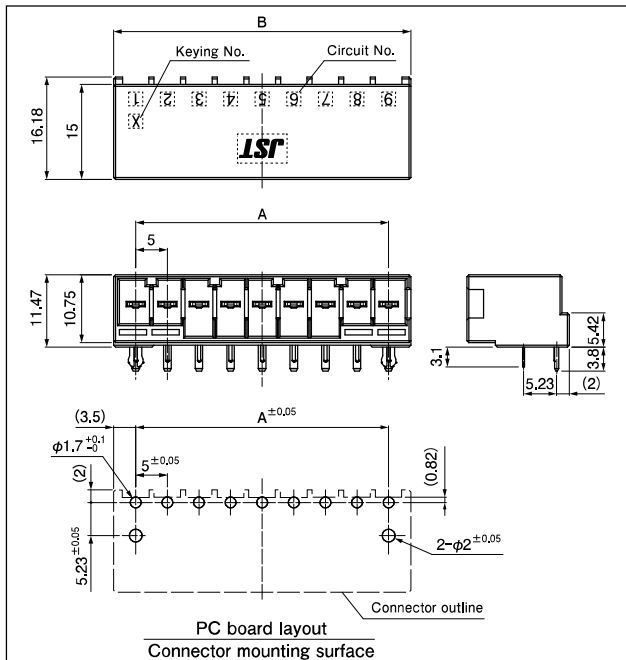


Model No.	Q'ty/box
J-FAT-OT (N)	1,000

### Material and Surface finish, etc.

PA (Glass-filled)

## Header (Side entry type)

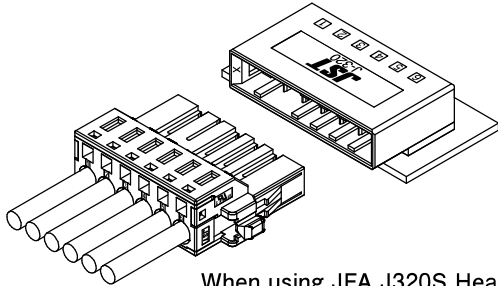


No. of circuits	Keying	Model No.	Dimensions (mm)		Q'ty/box
			A	B	
5	X	S05B-JTSH5.0SK-GEXKR	20	27	270
9	X	S09B-JTSH5.0SK-GEXKR	40	47	162

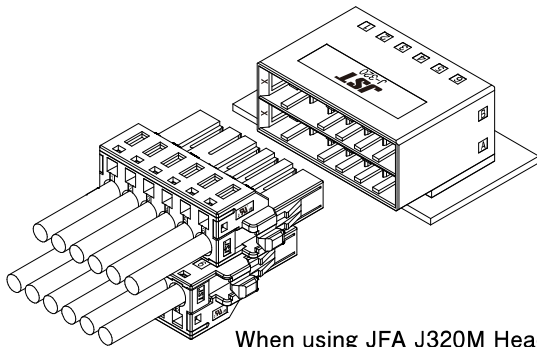
### Material and Surface finish, etc.

Tab contact: Copper alloy,  
nickel-undercoated, selective gold-plated  
Housing: PBT (Glass-filled), UL94V-0, black  
Reinforcement: Copper alloy,  
nickel-undercoated, selective gold-plated

# J-FAT CONNECTOR /S-A Series



When using JFA J320S Header



When using JFA J320M Header

## Standards

⚡ : Recognized E 239668

\* Please contact JST for details on the above safety standards.

## Specifications

• Current rating : AC/DC

Current unit: A

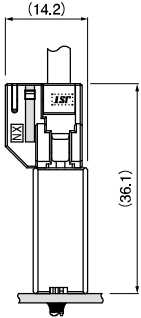
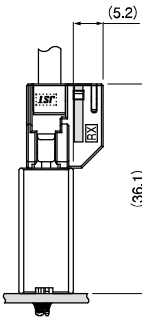
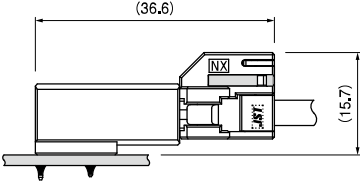
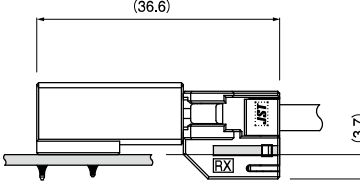
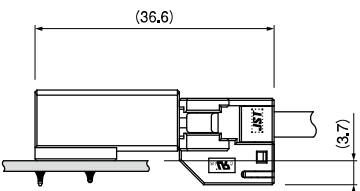
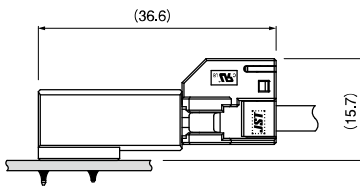
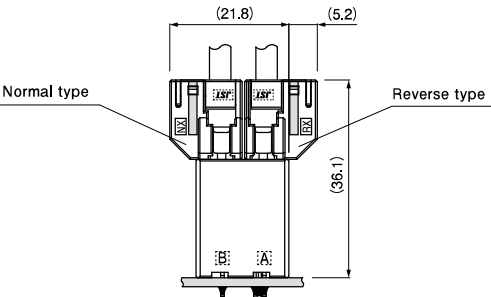
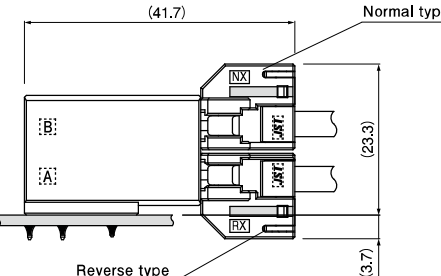
No. of circuits	Wire size (AWG)		
	# 14	# 16	# 18
3	13	12.25	10.5
4	12	11.25	10
5	11.25	10.5	9.5
6	10.5	9.75	9
10	9.25	8.5	8
12	9	8.25	7.75

- Voltage rating: 300 V AC/DC
- Temperature range: -55°C to +105°C (Including temperature rise in applying electrical current)
- Contact resistance: Initial value / 20 mΩ max.  
After environmental tests / 40 mΩ max.
- Insulation resistance: Initial value / 1,000 MΩ min.  
After environmental tests / 100 MΩ min.
- Withstanding voltage: There shall be no breakdown or flashover while applying 2,200 VAC for one minute.
- Applicable wire range: AWG #18 to AWG #14
- Applicable PC board thickness: 1.6 mm to 2.4 mm

Note) Please note that the above general specifications may differ from safety standards.

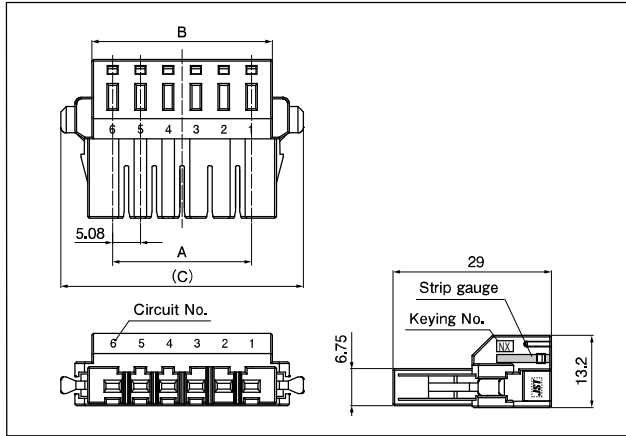
- \* Please refer to the "Handling Precautions for Terminals and Connectors" on our website (listed in the "Technical Documents" column on the Product Information page) before use.
- \* RoHS2 compliance
- \* Dimensional unit: mm
- \* Contact JST for details.

# J-FAT CONNECTOR /S-A Series

			J-FAT-S-A Receptacle assembly	
			Normal type	Reverse type
When using JFA J320S Header	Top entry type	Normal type		
	Side entry type	Normal type		
		Reverse type		
	When using JFA J320M Header	Top entry type	Normal type	
Side entry type		Normal type		

# J-FAT CONNECTOR / S-A Series

## Receptacle assembly (Normal type)

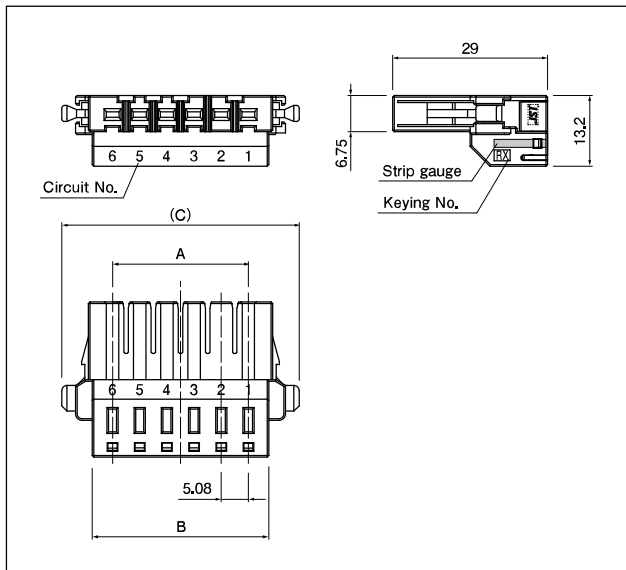


No. of circuits	Keying	Model No.	Dimensions (mm)			Q'ty/box
			A	B	C	
3	X	03JFAT-SAXGGKK-A	10.16	17.74	29.16	240
	Y	03JFAT-SAYGGKK-A	10.16	17.74	29.16	240
5	X	05JFAT-SAXGGKK-A	20.32	27.90	39.32	192
	Y	05JFAT-SAYGGKK-A	20.32	27.90	39.32	192
6	X	06JFAT-SAXGGKK-A	25.40	32.98	44.40	168
	Y	06JFAT-SAYGGKK-A	25.40	32.98	44.40	168

### Material and Surface finish, etc.

Receptacle contact: Copper alloy,  
nickel-undercoated, selective gold-plated  
Housing: PBT (Glass-filled), UL94V-0, black  
Cover: PBT (Glass-filled), UL94V-0, black  
Spring: Stainless

## Receptacle assembly (Reverse type)

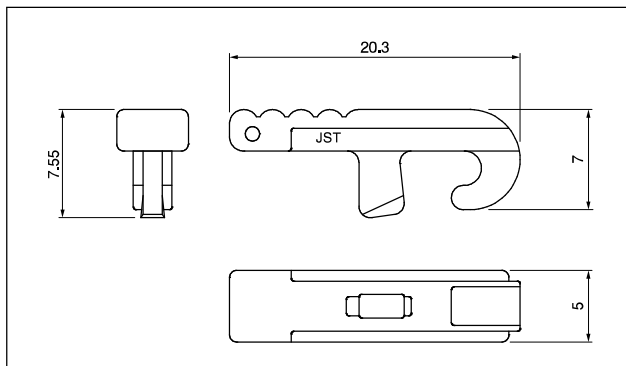


No. of circuits	Keying	Model No.	Dimensions (mm)			Q'ty/box
			A	B	C	
3	X	03JFAT-SBXGGKS-A	10.16	17.74	29.16	240
	Y	03JFAT-SBYGGKS-A	10.16	17.74	29.16	240
4	X	04JFAT-SBXGGKS-A	15.24	22.82	34.24	216
	Y	04JFAT-SBYGGKS-A	15.24	22.82	34.24	216
5	X	05JFAT-SBXGGKS-A	20.32	27.90	39.32	192
	Y	05JFAT-SBYGGKS-A	20.32	27.90	39.32	192
6	X	06JFAT-SBXGGKS-A	25.40	32.98	44.40	168
	Y	06JFAT-SBYGGKS-A	25.40	32.98	44.40	168

### Material and Surface finish, etc.

Receptacle contact: Copper alloy,  
nickel-undercoated, selective gold-plated  
Housing: PBT (Glass-filled), UL94V-0, black  
Cover: PBT (Glass-filled), UL94V-0, white  
Spring: Stainless

## Open tool



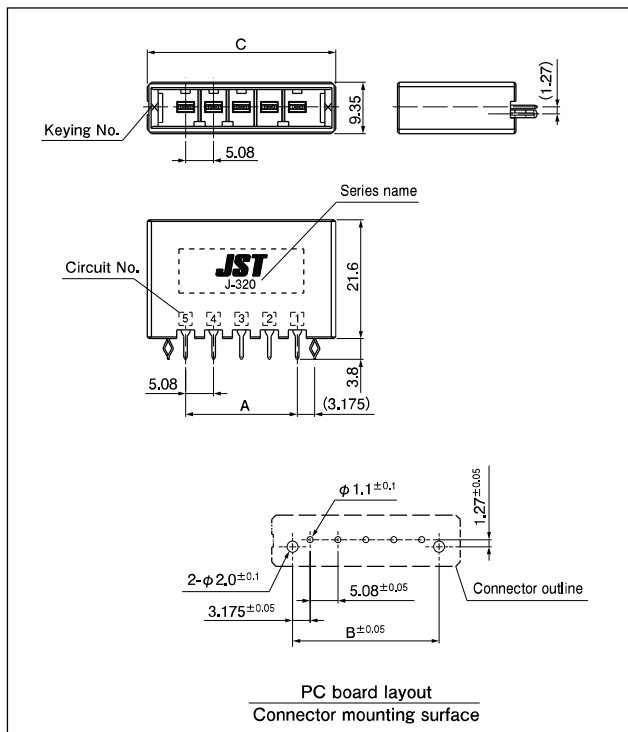
Model No.	Q'ty/box
J-FAT-OT (N)	1,000

### Material and Surface finish, etc.

PA (Glass-filled)

# J-FAT CONNECTOR /S-A Series

## Header (Top entry type)



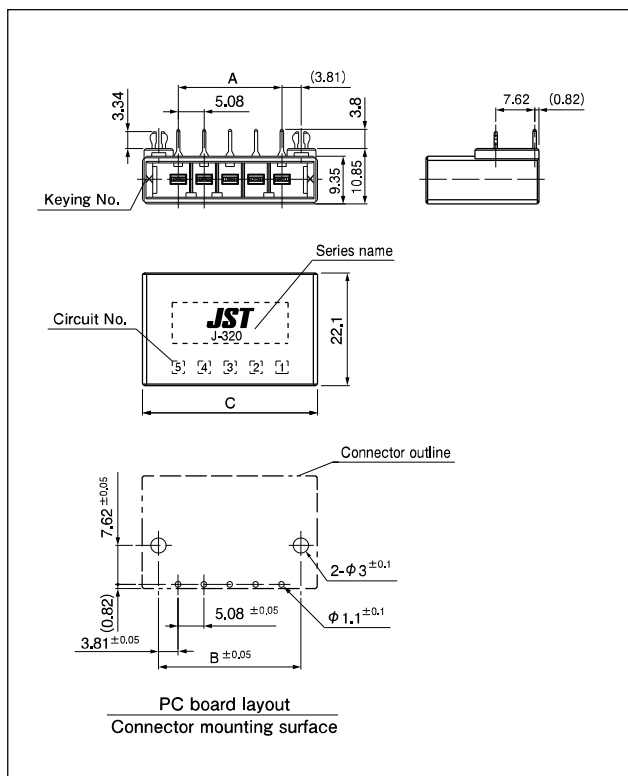
No. of circuits	Keying	Model No.	Dimensions (mm)			Q'ty/box
			A	B	C	
3	X	B03B-F32SK-GGXR	10.16	16.51	24.16	200
	Y	B03B-F32SK-GGYR	10.16	16.51	24.16	200
4	X	B04B-F32SK-GGXR	15.24	21.59	29.24	160
	Y	B04B-F32SK-GGYR	15.24	21.59	29.24	160
5	X	B05B-F32SK-GGXR	20.32	26.67	34.32	140
	Y	B05B-F32SK-GGYR	20.32	26.67	34.32	140
6	X	B06B-F32SK-GGXR	25.40	31.75	39.40	120
	Y	B06B-F32SK-GGYR	25.40	31.75	39.40	120

Material and Surface finish, etc.

Tab contact: Copper alloy,  
nickel-undercoated, selective gold-plated  
Housing: PBT (Glass-filled), UL94V-0, black  
Reinforcement: Copper alloy,  
nickel-undercoated, selective gold-plated

This product displays (LF)(AU) on a label.

## Header (Side entry type)



No. of circuits	Keying	Model No.	Dimensions (mm)			Q'ty/box
			A	B	C	
3	X	S03B-F32SK-GGXR	10.16	17.78	24.16	150
	Y	S03B-F32SK-GGYR	10.16	17.78	24.16	150
4	X	S04B-F32SK-GGXR	15.24	22.86	29.24	120
	Y	S04B-F32SK-GGYR	15.24	22.86	29.24	120
5	X	S05B-F32SK-GGXR	20.32	27.94	34.32	105
	Y	S05B-F32SK-GGYR	20.32	27.94	34.32	105
6	X	S06B-F32SK-GGXR	25.40	33.02	39.40	90
	Y	S06B-F32SK-GGYR	25.40	33.02	39.40	90

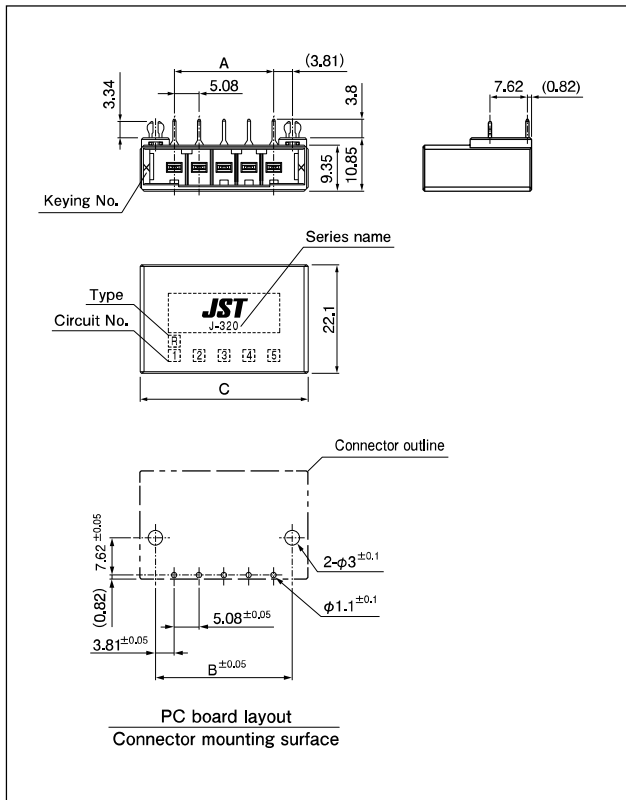
Material and Surface finish, etc.

Tab contact: Copper alloy,  
nickel-undercoated, selective gold-plated  
Housing: PBT (Glass-filled), UL94V-0, black  
Reinforcement: Copper alloy,  
nickel-undercoated, selective gold-plated

This product displays (LF)(AU) on a label.

# J-FAT CONNECTOR /S-A Series

## Header (Side entry type/Reverse type)



No. of circuits	Keying	Model No.	Dimensions (mm)			Q'ty/box
			A	B	C	
5	X	SR05B-F32SK-GGXR	20.32	27.94	34.32	105
6	X	SR06B-F32SK-GGXR	25.40	33.02	39.40	90

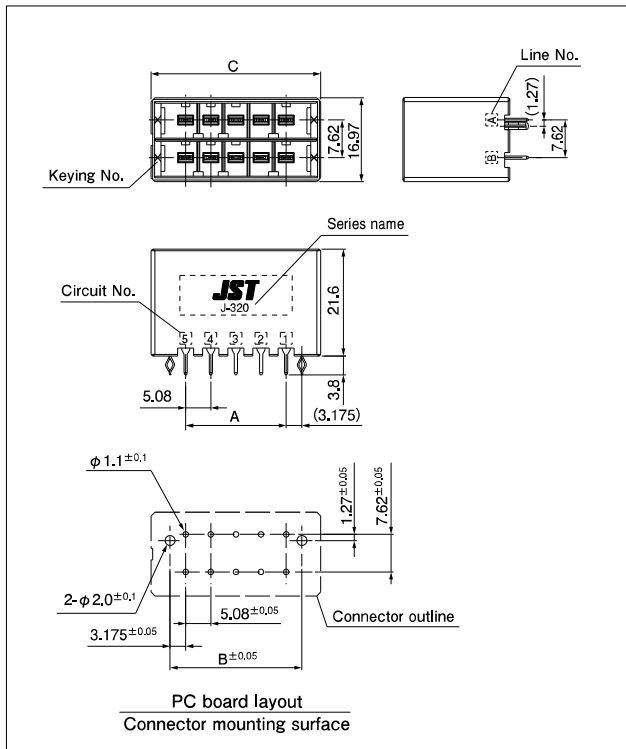
### Material and Surface finish, etc.

Tab contact: Copper alloy,  
nickel-undercoated, selective gold-plated  
Housing: PBT (Glass-filled), UL94V-0, black  
Reinforcement: Copper alloy,  
nickel-undercoated, selective gold-plated

This product displays (LF)(AU) on a label.

# J-FAT CONNECTOR /S-A Series

## Header (Top entry type)



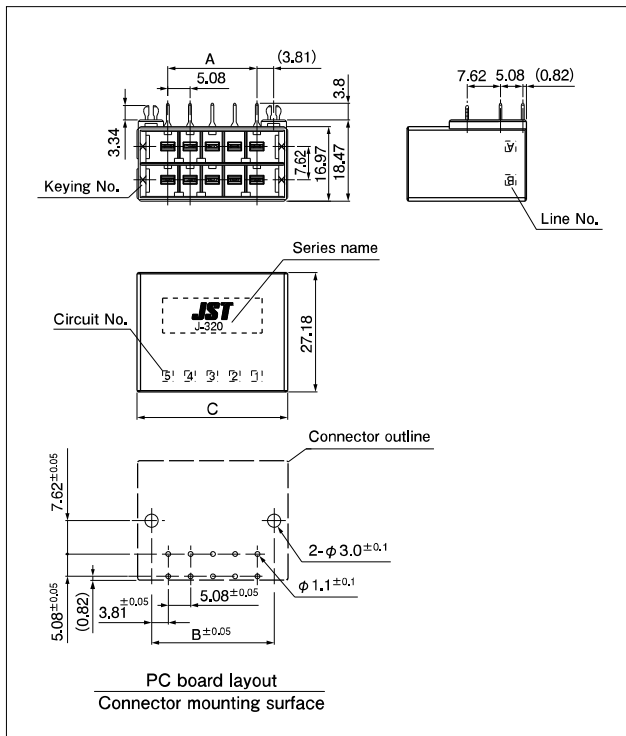
No. of circuits	Keying	Model No.	Dimensions (mm)			Q'ty/box
			A	B	C	
6	XX	B06B-F32MK-GGXXR	10.16	16.51	24.16	120
	YY	B06B-F32MK-GGYR	10.16	16.51	24.16	120
	XY	B06B-F32MK-GGXRYR	10.16	16.51	24.16	120
10	XX	B10B-F32MK-GGXXR	20.32	26.67	34.32	84
	YY	B10B-F32MK-GGYR	20.32	26.67	34.32	84
	XY	B10B-F32MK-GGXRYR	20.32	26.67	34.32	84
12	XX	B12B-F32MK-GGXXR	25.40	31.75	39.40	72
	YY	B12B-F32MK-GGYR	25.40	31.75	39.40	72
	XY	B12B-F32MK-GGXRYR	25.40	31.75	39.40	72

Material and Surface finish, etc.

Tab contact: Copper alloy,  
nickel-undercoated, selective gold-plated  
Housing: PBT (Glass-filled), UL94V-0, black  
Reinforcement: Copper alloy,  
nickel-undercoated, selective gold-plated

This product displays (LF)(AU) on a label.

## Header (Side entry type)



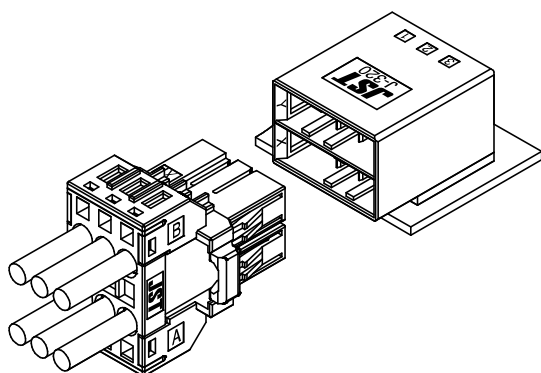
No. of circuits	Keying	Model No.	Dimensions (mm)			Q'ty/box
			A	B	C	
6	XX	S06B-F32MK-GGXXR	10.16	17.78	24.16	80
	YY	S06B-F32MK-GGYR	10.16	17.78	24.16	80
	XY	S06B-F32MK-GGXRYR	10.16	17.78	24.16	80
10	XX	S10B-F32MK-GGXXR	20.32	27.94	34.32	56
	YY	S10B-F32MK-GGYR	20.32	27.94	34.32	56
	XY	S10B-F32MK-GGXRYR	20.32	27.94	34.32	56
12	XX	S12B-F32MK-GGXXR	25.40	33.02	39.40	48
	YY	S12B-F32MK-GGYR	25.40	33.02	39.40	48
	XY	S12B-F32MK-GGXRYR	25.40	33.02	39.40	48

Material and Surface finish, etc.


Tab contact: Copper alloy,  
nickel-undercoated, selective gold-plated  
Housing: PBT (Glass-filled), UL94V-0, black  
Reinforcement: Copper alloy, nickel-undercoated,  
selective gold-plated

This product displays (LF)(AU) on a label.

# J-FAT CONNECTOR / S-F Series



## Standards

 : Recognized E 239668

\* Please contact JST for details on the above safety standards.

## Specifications

• Current rating : AC/DC

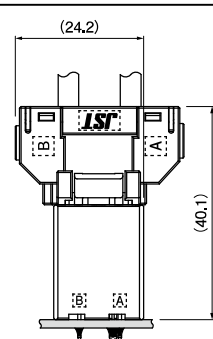
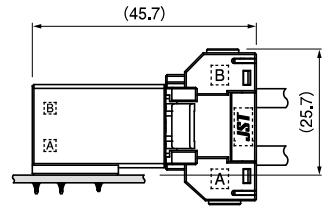
Current unit: A

Wire size (AWG)		
# 14	# 16	# 18
9.75	9.75	9

- Voltage rating: 300 V AC/DC
  - Temperature range: -55°C to +105°C (Including temperature rise in applying electrical current)
  - Contact resistance: Initial value / 20 mΩ max.  
After environmental tests / 40 mΩ max.
  - Insulation resistance: Initial value / 1,000 MΩ min.  
After environmental tests / 100 MΩ min.
  - Withstanding voltage: There shall be no breakdown or flashover while applying 2,200 VAC for one minute.
  - Applicable wire range: AWG #18 to AWG #14
  - Applicable PC board thickness: 1.6 mm to 2.4 mm
- Note) Please note that the above general specifications may differ from safety standards.

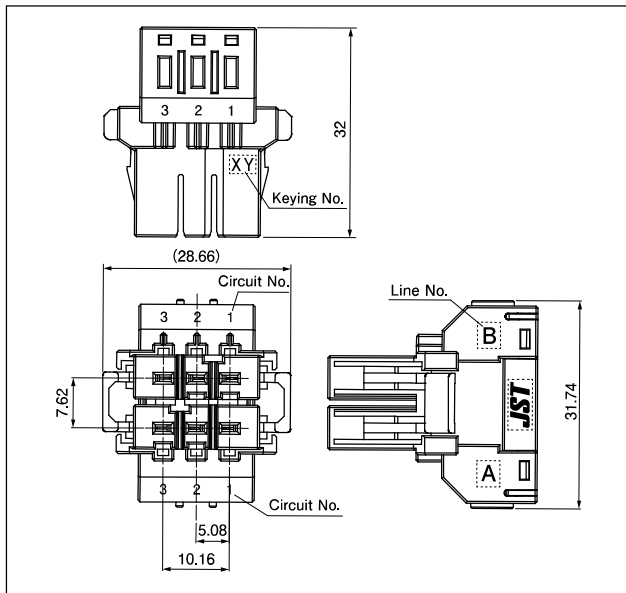
- \* Please refer to the "Handling Precautions for Terminals and Connectors" on our website (listed in the "Technical Documents" column on the Product Information page) before use.
- \* RoHS2 compliance
- \* Dimensional unit: mm
- \* Contact JST for details.

## Assembly layout

		J-FAT-S-F Receptacle assembly
JFA J320M Header	Top entry type	
	Side entry type	

# J-FAT CONNECTOR / S-F Series

## Receptacle assembly

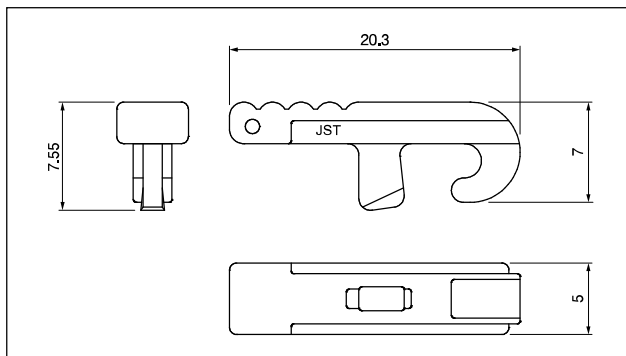


No. of circuits	Keying	Model No.	Q'ty/box
6	XY	06JFAT-SAXYGG-F-KK	140

### Material and Surface finish, etc.

Receptacle contact: Copper alloy,  
nickel-undercoated, selective gold-plated  
Housing: PBT (Glass-filled), UL94V-0, black  
Cover: PBT (Glass-filled), UL94V-0, black  
Spring: Stainless

## Open tool



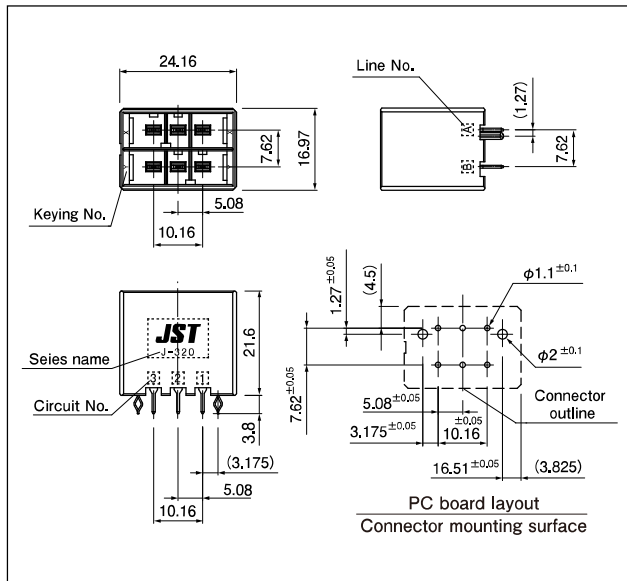
Model No.	Q'ty/box
J-FAT-OT (N)	1,000

### Material and Surface finish, etc.

PA (Glass-filled)

# J-FAT CONNECTOR /S-F Series

## Header (Top entry type)



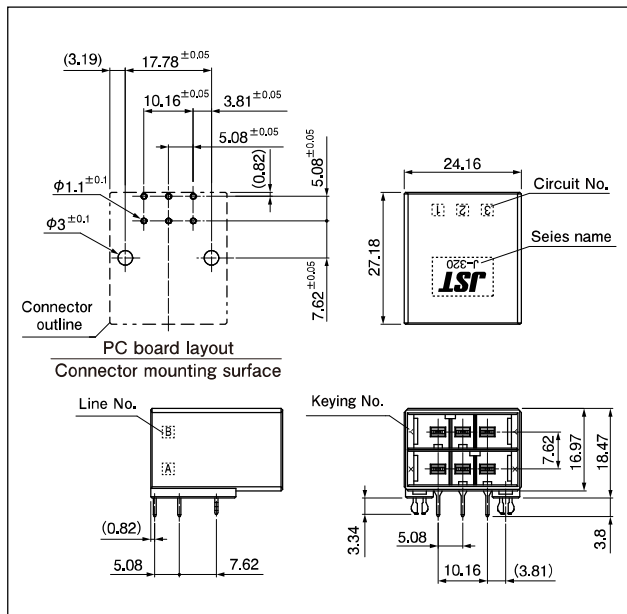
No. of circuits	Keying	Model No.	Q'ty/box
6	XY	B06B-F32MK-GGX1R	120

### Material and Surface finish, etc.

Tab contact: Copper alloy,  
nickel-undercoated, selective gold-plated  
Housing: PBT (Glass-filled), UL94V-0, black  
Reinforcement: Copper alloy,  
nickel-undercoated, selective gold-plated

This product displays (LF)(AU) on a label.

## Header (Side entry type)



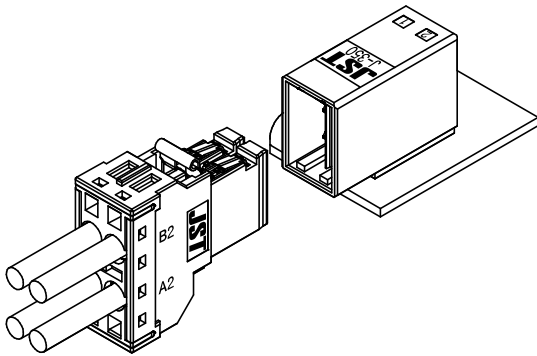
No. of circuits	Keying	Model No.	Q'ty/box
6	XY	S06B-F32MK-GGX1R	80

### Material and Surface finish, etc.

Tab contact: Copper alloy,  
nickel-undercoated, selective gold-plated  
Housing: PBT (Glass-filled), UL94V-0, black  
Reinforcement: Copper alloy,  
nickel-undercoated, selective gold-plated

This product displays (LF)(AU) on a label.

# J-FAT CONNECTOR / S-G Series



## Standards

 : Recognized E 239668

\* Please contact JST for details on the above safety standards.

## Specifications

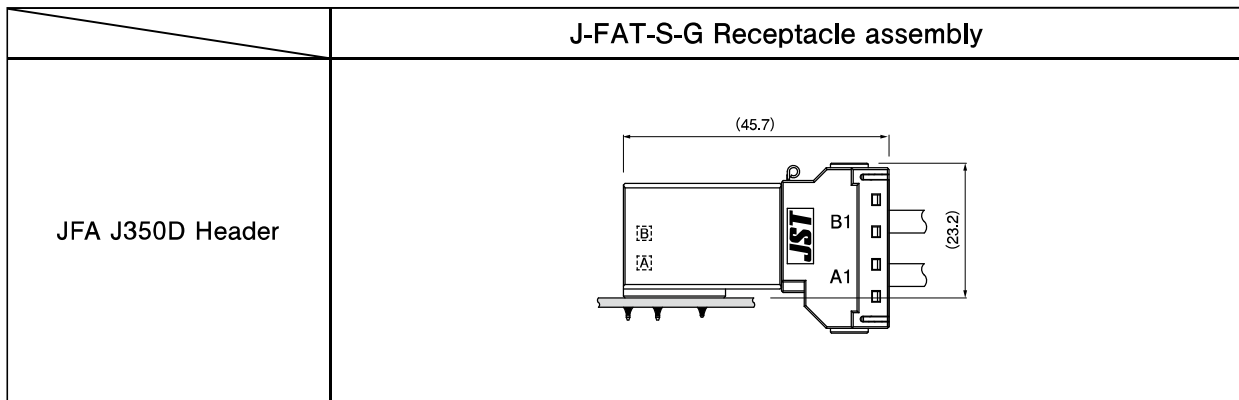
• Current rating : AC/DC

Current unit: A

Wire size (AWG)		
# 14	# 16	# 18
11.25	11.25	10

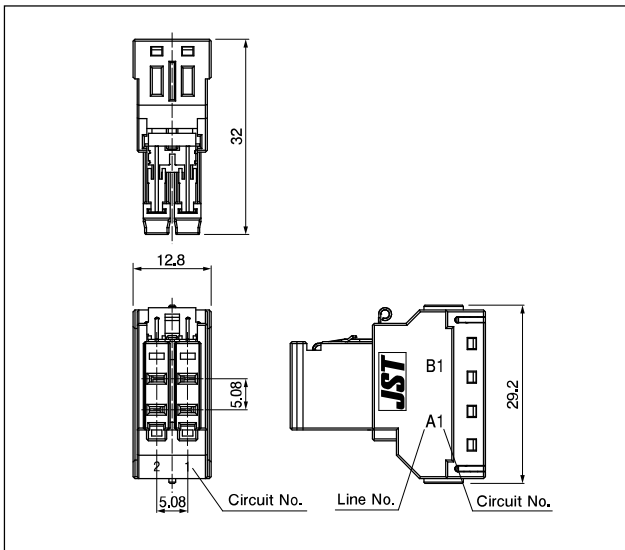
- Voltage rating: 300 V AC/DC
- Temperature range: -55°C to +105°C (Including temperature rise in applying electrical current)
- Contact resistance: Initial value / 20 mΩ max.  
After environmental tests / 40 mΩ max.
- Insulation resistance: Initial value / 1,000 MΩ min.  
After environmental tests / 100 MΩ min.
- Withstanding voltage: There shall be no breakdown or flashover while applying 2,200 VAC for one minute.
- Applicable wire range: AWG #18 to AWG #14
- Applicable PC board thickness: 1.6 mm to 2.4 mm
- Note) Please note that the above general specifications may differ from safety standards.
- \* Please refer to the "Handling Precautions for Terminals and Connectors" on our website (listed in the "Technical Documents" column on the Product Information page) before use.
- \* RoHS2 compliance
- \* Dimensional unit: mm
- \* Contact JST for details.

## Assembly layout



# J-FAT CONNECTOR / S-G Series

## Receptacle assembly

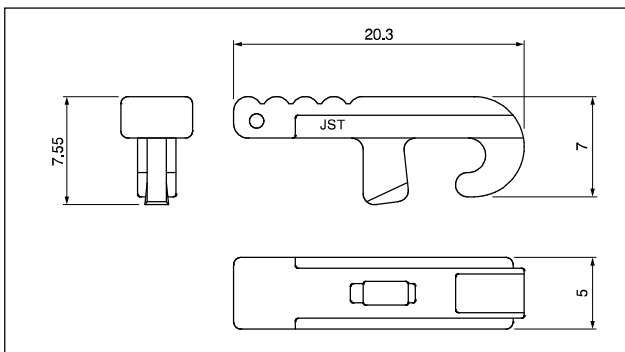


No. of circuits	Keying	Model No.	Q'ty/box
4	—	04JFAT-SAGG-G-KK	200

### Material and Surface finish, etc.

Receptacle contact: Copper alloy,  
nickel-undercoated, selective gold-plated  
Housing: PBT (Glass-filled), UL94V-0, black  
Cover: PBT (Glass-filled), UL94V-0, black  
Spring: Stainless  
Lock lever: Stainless

## Open tool

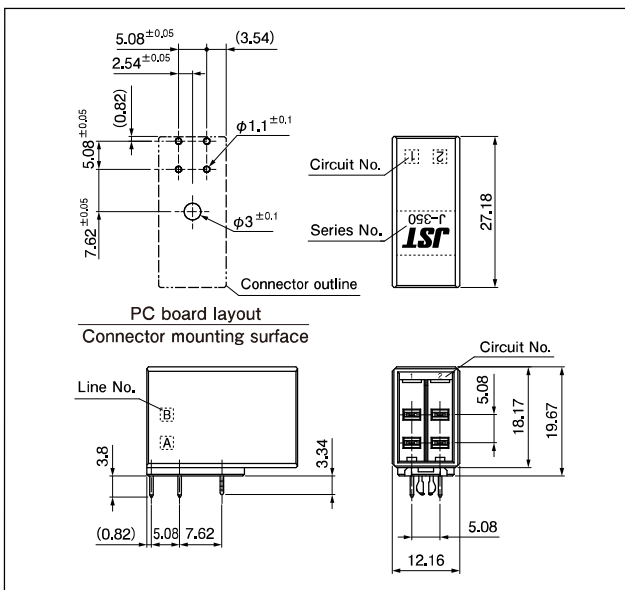


Model No.	Q'ty/box
J-FAT-OT(N)	1,000

### Material and Surface finish, etc.

PA (Glass-filled)

## Header (Side entry type)



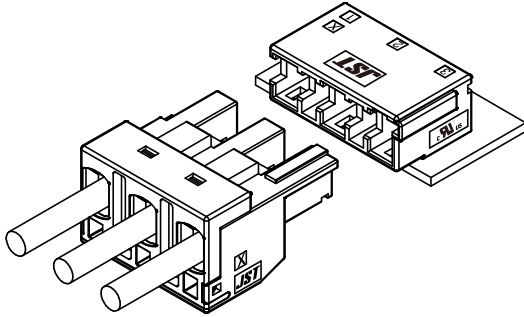
No. of circuits	Keying	Model No.	Q'ty/box
4	—	SC04B-F35DK-GGR	152

### Material and Surface finish, etc.


Tab contact: Copper alloy,  
nickel-undercoated, selective gold-plated  
Housing: PBT (Glass-filled), UL94V-0, black  
Reinforcement: Copper alloy,  
nickel-undercoated, selective gold-plated

This product displays (LF) (AU) on a label.

# J-FAT CONNECTOR / S-KT Series



## Standards

 : Recognized E 239668

\* Please contact JST for details on the above safety standards.

## Specifications

• Current rating : AC/DC

Current unit: A

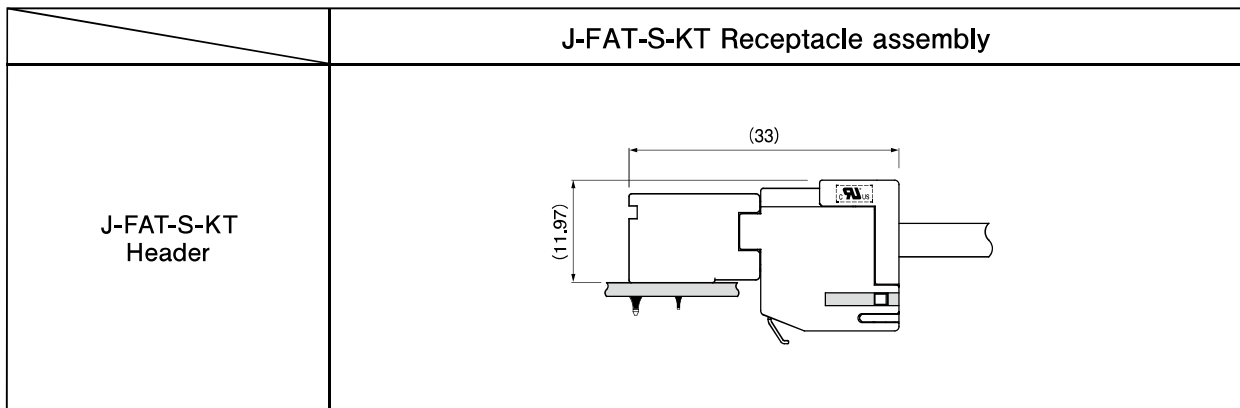
Wire size (AWG)			
# 12	# 14	# 16	# 18
20	15	13	11

- Voltage rating: 300 V AC/DC
- Temperature range: -55°C to +105°C (Including temperature rise in applying electrical current)
- Contact resistance: Initial value / 20 mΩ max.  
After environmental tests / 40 mΩ max.
- Insulation resistance: Initial value / 1,000 MΩ min.  
After environmental tests / 100 MΩ min.
- Withstanding voltage: There shall be no breakdown or flashover while applying 2,200 VAC for one minute.
- Applicable wire range: AWG #18 to AWG #12
- Applicable PC board thickness: 1.6 mm

Note) Please note that the above general specifications may differ from safety standards.

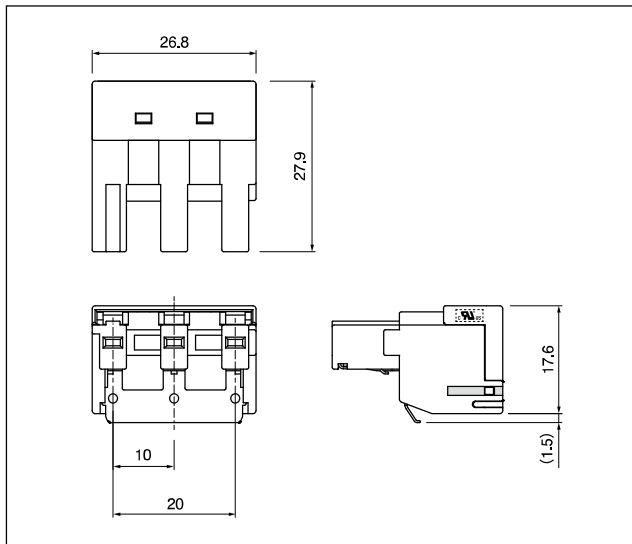
- \* Please refer to the "Handling Precautions for Terminals and Connectors" on our website (listed in the "Technical Documents" column on the Product Information page) before use.
- \* RoHS2 compliance
- \* Dimensional unit: mm
- \* Contact JST for details.

## Assembly layout



# J-FAT CONNECTOR /S-KT Series

## Receptacle assembly

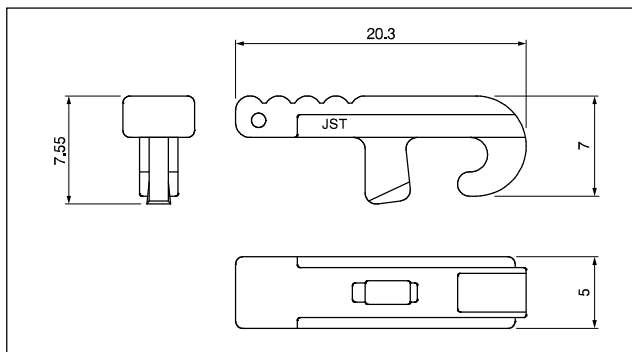


No. of circuits	Keying	Model No.	Q'ty/box
3	X	03JFAT-SAXGDK-KT10	176
	Y	03JFAT-SAYGDK-KT10	176

### Material and Surface finish, etc.

Receptacle contact: Copper alloy,  
nickel-undercoated, selective gold-plated  
Housing: PBT (Glass-filled), UL94V-0, black  
Cover: PBT (Glass-filled), UL94V-0, black  
Spring: Stainless  
Lock lever: Stainless

## Open tool

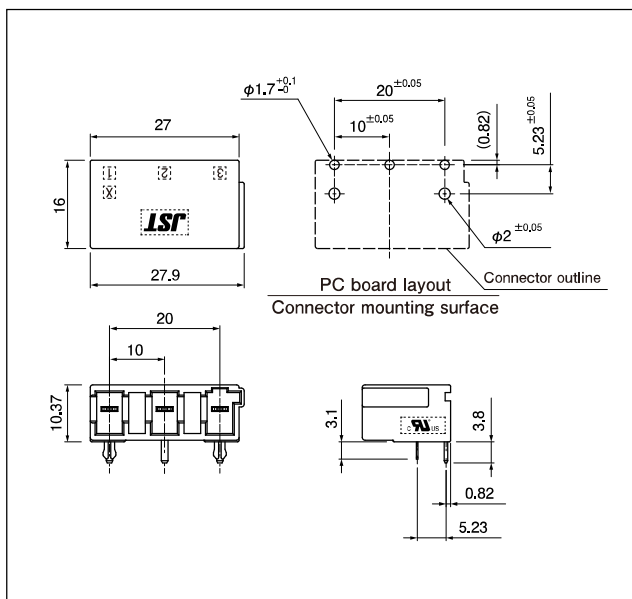


Model No.	Q'ty/box
J-FAT-OT(N)	1,000

### Material and Surface finish, etc.

PA (Glass-filled)

## Header (Side entry type)

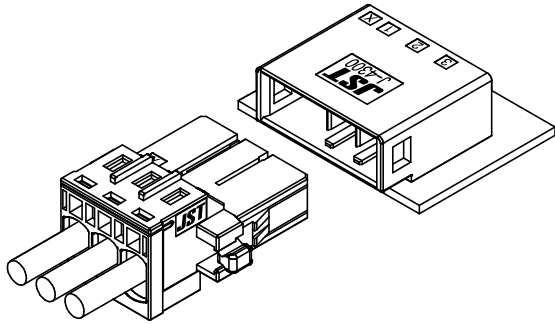


No. of circuits	Keying	Model No.	Q'ty/box
3	X	SC03B-JTSKT10SK-GEXKR	270
	Y	SC03B-JTSKT10SK-GEYKR	270

### Material and Surface finish, etc.

Tab contact: Copper alloy,  
nickel-undercoated, selective gold-plated  
Housing: PA (Glass-filled), UL94V-0, black  
Reinforcement: Copper alloy,  
nickel-undercoated, selective gold-plated

# J-FAT CONNECTOR / S-4300 Series



## Standards

⚡ : Recognized E 239668

\* Please contact JST for details on the above safety standards.

## Specifications

• Current rating : AC/DC

Current unit: A

Wire size (AWG)		
# 12	# 14	# 16
20	17	15

- Voltage rating: 600 V AC/DC
- Temperature range: -55°C to +105°C (Including temperature rise in applying electrical current)
- Contact resistance: Initial value / 5 mΩ max.  
After environmental tests / 10 mΩ max.
- Insulation resistance: Initial value / 1,000 MΩ min.  
After environmental tests / 100 MΩ min.
- Withstanding voltage: There shall be no breakdown or flashover while applying 2,200 VAC for one minute.
- Applicable wire range: AWG #16 to AWG #12
- Applicable PC board thickness: 1.6 mm to 2.4 mm

Note) Please note that the above general specifications may differ from safety standards.

\* Please refer to the "Handling Precautions for Terminals and Connectors" on our website (listed in the "Technical Documents" column on the Product Information page) before use.

\* RoHS2 compliance

\* Dimensional unit: mm

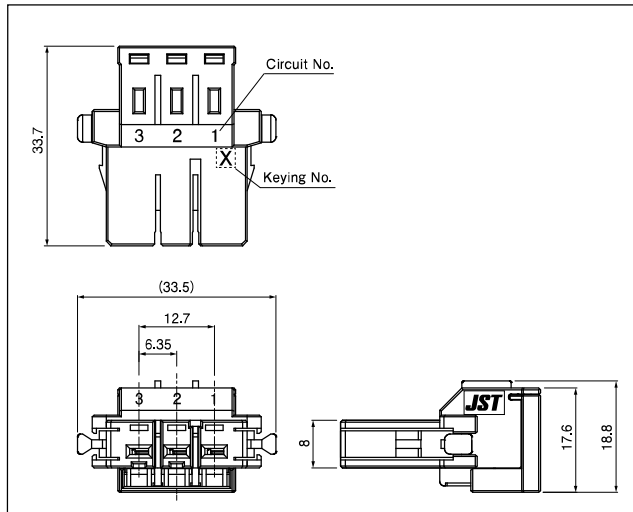
\* Contact JST for details.

## Assembly layout

J-FAT-S-4300 Receptacle assembly	
JFA J4300 Header	

# J-FAT CONNECTOR /S-4300 Series

## Receptacle assembly

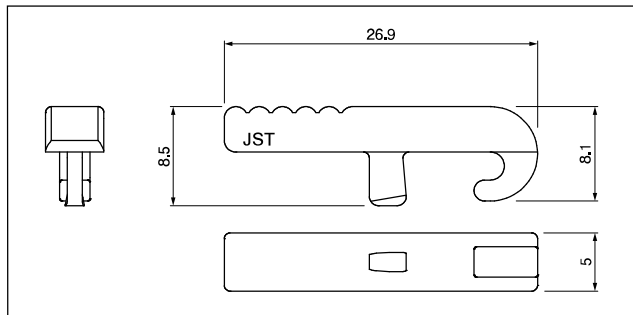


No. of circuits	Keying	Model No.	Q'ty/box
3	X	03JFAT-SAXGFK-43	189

### Material and Surface finish, etc.

Receptacle contact: Copper alloy,  
nickel-undercoated, selective gold-plated  
Housing: PBT (Glass-filled), UL94V-0, black  
Cover: PBT (Glass-filled), UL94V-0, black  
Spring: Stainless

## Open tool

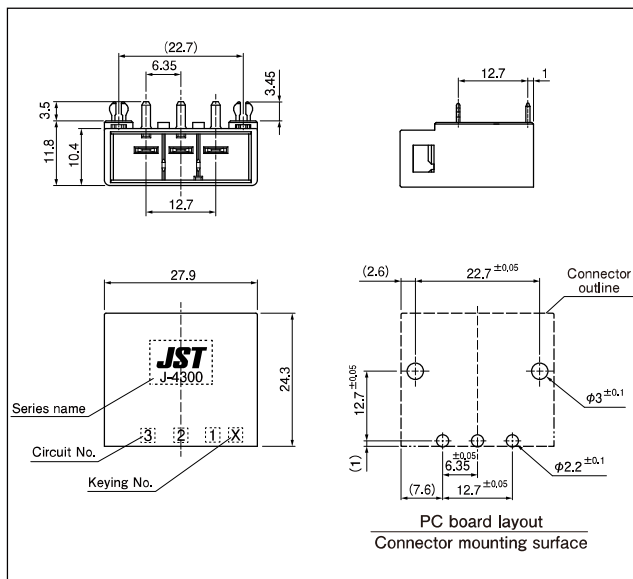


Model No.	Q'ty/bag
J-FAT-OT-XL	500

### Material and Surface finish, etc.

PA (Glass-filled)

## Header (Side entry type)

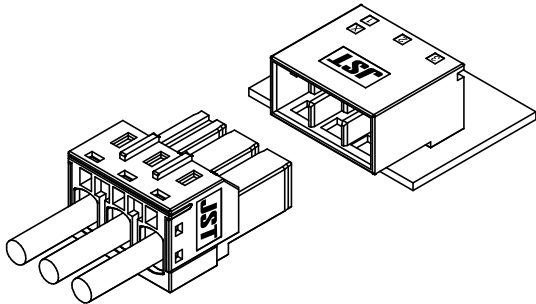


No. of circuits	Keying	Model No.	Q'ty/box
3	X	S03B-J43SK-GHXR	64

### Material and Surface finish, etc.

Tab contact: Copper alloy,  
nickel-undercoated, selective gold-plated  
Housing: PBT (Glass-filled), UL94V-0, black  
Reinforcement: Copper alloy,  
nickel-undercoated, selective gold-plated

# J-FAT CONNECTOR / S-XL Series



## Standards

: Recognized E 239668

\* Please contact JST for details on the above safety standards.

## Specifications

• Current rating : AC/DC

Current unit: A

No. of circuit	Wire size (AWG)			
	# 10	# 12	# 14	# 16
3	23	21	18	15
5	21	18	16	14
6	21	18	16	14
7	21	18	16	13

- Voltage rating: 600 V AC/DC
- Temperature range: -55°C to +105°C (Including temperature rise in applying electrical current)
- Contact resistance: Initial value / 5 mΩ max.  
After environmental tests / 10 mΩ max.
- Insulation resistance: Initial value / 1,000 MΩ min.  
After environmental tests / 100 MΩ min.
- Withstanding voltage: There shall be no breakdown or flashover while applying 2,200 VAC for one minute.
- Applicable wire range: AWG #16 to AWG #10
- Applicable PC board thickness: 1.6 mm

Note) Please note that the above general specifications may differ from safety standards.

\* Please refer to the "Handling Precautions for Terminals and Connectors" on our website (listed in the "Technical Documents" column on the Product Information page) before use.

\* RoHS2 compliance

\* Dimensional unit: mm

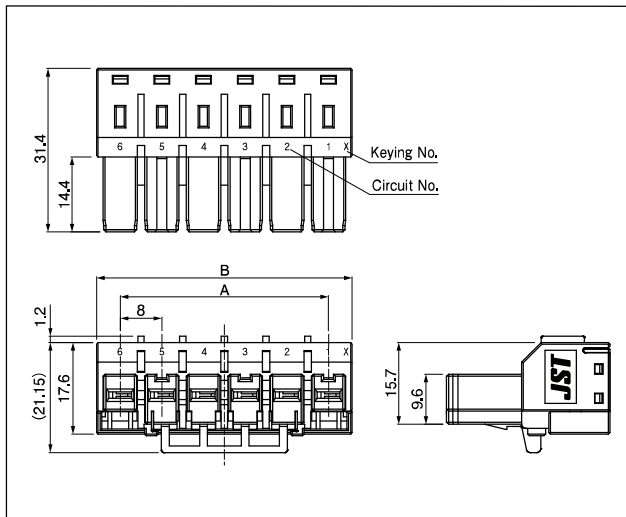
\* Contact JST for details.

## Assembly layout

		J-FAT-S-XL Receptacle assembly
J-FAT-S-L Header	Normal type	
	Reverse type	

# J-FAT CONNECTOR /S-XL Series

## Receptacle assembly

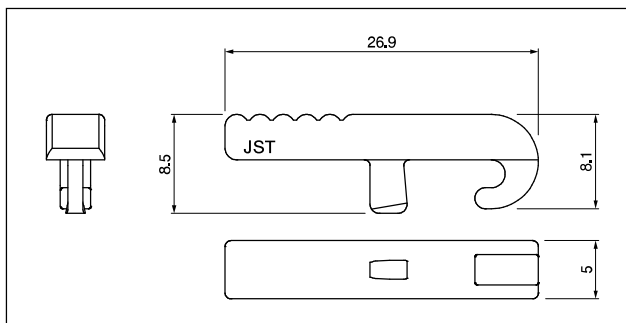


No. of circuits	Keying	Model No.	Dimensions (mm)		Q'ty/box
			A	B	
3	X	03JFAT-SAXGFK-XL	16	25.1	416
	Y	03JFAT-SAYGFS-XL	16	25.1	416
5	X	05JFAT-SAXGFK-XL	32	41.1	256
	Y	05JFAT-SAYGFS-XL	32	41.1	256
6	X	06JFAT-SAXGFK-XL	40	49.1	192
	Y	06JFAT-SAYGFS-XL	40	49.1	192
7	X	07JFAT-SAXGFK-XL	48	57.1	160

### Material and Surface finish, etc.

Receptacle contact: Copper alloy,  
nickel-undercoated, selective gold-plated  
Housing: PBT (Glass-filled), UL94V-0,  
X-Keying (black), Y-Keying (white)  
Cover: PBT (Glass-filled), UL94V-0,  
X-Keying (black), Y-Keying (white)  
Spring: Stainless

## Open tool



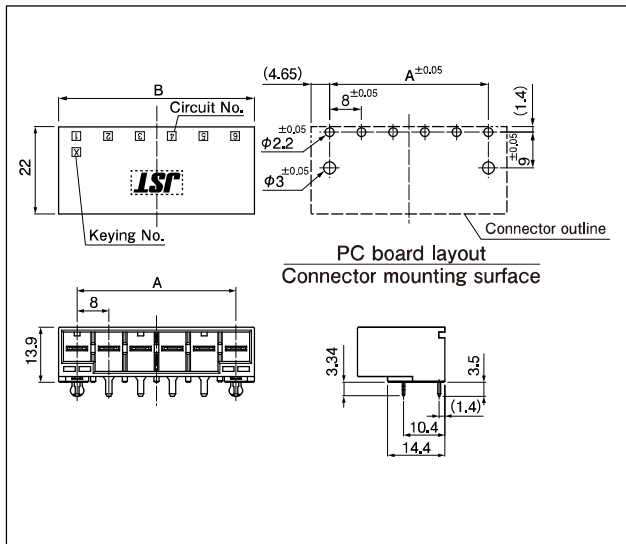
Model No.	Q'ty/bag
J-FAT-OT-XL	500

### Material and Surface finish, etc.

PA (Glass-filled)

# J-FAT CONNECTOR /S-XL Series

## Header (Side entry type)

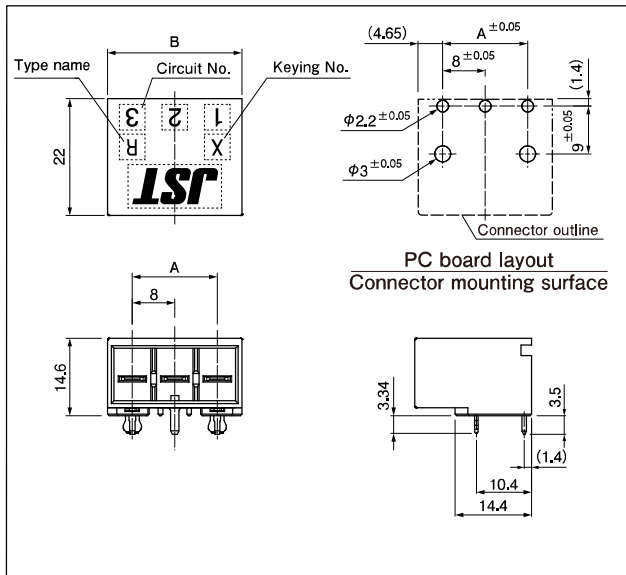


No. of circuits	Keying	Model No.	Dimension (mm)		Q'ty/box
			A	B	
3	X	S03B-JTSLSK-GSANXR	16	25.3	80
	Y	S03B-JTSLSS-GSANYR	16	25.3	80
5	X	S05B-JTSLSK-GSANXR	32	41.3	50
	Y	S05B-JTSLSS-GSANYR	32	41.3	50
6	X	S06B-JTSLSK-GSANXR	40	49.3	40
	Y	S06B-JTSLSS-GSANYR	40	49.3	40
7	X	S07B-JTSLSK-GSANXR	48	57.3	30

### Material and Surface finish, etc.

Tab contact: Copper alloy,  
nickel-undercoated, selective gold-plated  
Housing: PBT (Glass-filled), UL94V-0,  
X-Keying (black), Y-Keying (white)  
Reinforcement: Copper alloy,  
nickel-undercoated, selective gold-plated

## Header (Side entry type/Reverse type)

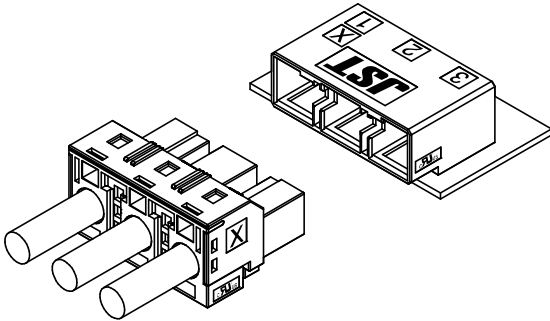


No. of circuits	Keying	Model No.	Dimensions (mm)		Q'ty/box
			A	B	
3	X	SR03B-JTSLSK-GSANXR	16	25.3	80
	Y	SR03B-JTSLSS-GSANYR	16	25.3	80
5	X	SR05B-JTSLSK-GSANXR	32	41.3	50
	Y	SR05B-JTSLSS-GSANYR	32	41.3	50

### Material and Surface finish, etc.

Tab contact: Copper alloy,  
nickel-undercoated, selective gold-plated  
Housing: PBT (Glass-filled), UL94V-0,  
X-Keying (black), Y-Keying (white)  
Reinforcement: Copper alloy,  
nickel-undercoated, selective gold-plated

# J-FAT CONNECTOR /S-P Series



## Standards

UL : Recognized E 239668

\* Please contact JST for details on the above safety standards.

## Specifications

• Current rating : AC/DC

Current unit: A

Wire size (AWG)				
# 8	# 10	# 12	# 14	# 16
43	30	21	18	15

- Voltage rating: 600 V AC/DC
  - Temperature range: -55°C to +105°C (Including temperature rise in applying electrical current)
  - Contact resistance: Initial value / 5 mΩ max.  
After environmental tests / 10 mΩ max.
  - Insulation resistance: Initial value / 1,000 MΩ min.  
After environmental tests / 100 MΩ min.
  - Withstanding voltage: There shall be no breakdown or flashover while applying 2,200 VAC for one minute.
  - Applicable wire range: AWG #16 to AWG #8
  - Applicable PC board thickness: 1.6 mm
- Note) Please note that the above general specifications may differ from safety standards.

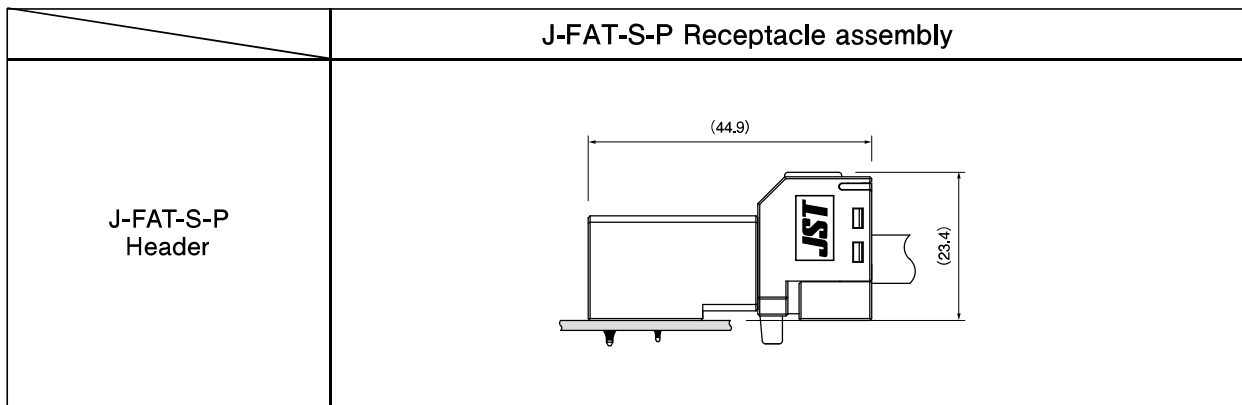
\* Please refer to the "Handling Precautions for Terminals and Connectors" on our website (listed in the "Technical Documents" column on the Product Information page) before use.

\* RoHS2 compliance

\* Dimensional unit: mm

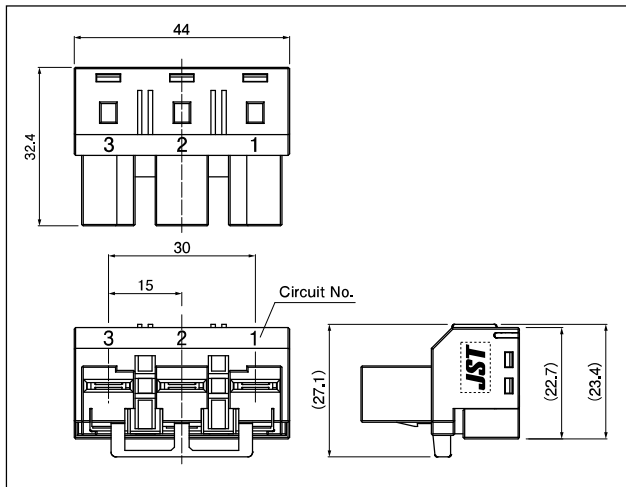
\* Contact JST for details.

## Assembly layout



# J-FAT CONNECTOR / S-P Series

## Receptacle assembly



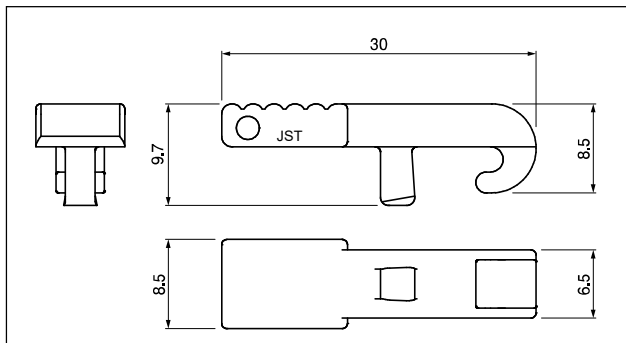
No. of circuits	Keying	Model No.	Q'ty/box
3	X	03JFAT-SAXGDK-P15	84
	Y	03JFAT-SAYGDK-P15	84
	Z	03JFAT-SAZGDK-P15	84
	F	03JFAT-SAFGDK-P15	84

Material and Surface finish, etc.

Receptacle contact: Copper alloy,  
nickel-undercoated, selective gold-plated  
Housing: PBT (Glass-filled), UL94V-0, black  
Cover: PBT (Glass-filled), UL94V-0, black  
Spring: Copper alloy, nickel-undercoated, selective gold-plated

Note) F-Keying can be mated with all of X-Keying, Y-Keying, and Z-Keying.

## Open tool

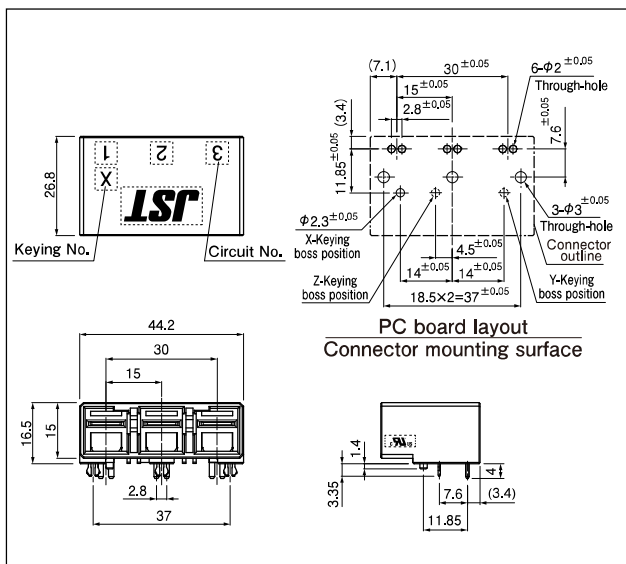


Model No.	Q'ty/bag
J-FAT-OT-P	500

Material and Surface finish, etc.

PA (Glass-filled)

## Header (Side entry type)



No. of circuits	Keying	Model No.	Q'ty/box
3	X	SC03B-JTSP15SK-GEKKR	126
	Y	SC03B-JTSP15SK-GEYKR	126
	Z	SC03B-JTSP15SK-GEZKR	126

Material and Surface finish, etc.

Tab contact: Copper alloy,  
nickel-undercoated, selective gold-plated  
Housing: PPS (Glass-filled), UL94V-0, black  
Reinforcement: Copper alloy,  
nickel-undercoated, selective gold-plated

# J-FAT CONNECTOR

## Model number allocation

### Receptacle assembly

**03 JFAT - SA Y GF KK - A - KK**

No. of circuits

Connector name

Mating method: SA···Normal type  
SB···Reverse type

Keying: X···X-Keying  
Y···Y-Keying  
Z···Z-Keying  
F···F-Keying  
XY···XY-Keying  
Blank···Without keying

Surface finish: GD···Nickel-undercoated,  
0.2 μm selective gold-plated  
GF,GG···Nickel-undercoated,  
0.38 μm selective gold-plated

Color: K, KK, blank···Black  
S···White  
KS···Black (Only cover is white)

Series: K5.0, H5.0, A, F, G, KT10, 43, XL, P15  
Blank (For Mini-J-FAT series)

Color: KK (For S-F and S-G series)···Black

### Header

**S 09 B - JTSH5.0 S K - GE X KR**

Header type  
B···Top type  
S···Side type  
SR···Side type Reverse  
SC···Side type Center locking

No. of circuits

Type: Board mounted type header

Series: J25, JTSK5.0, JTSH5.0, F32, F35, JTSKT10,  
J43, JTSL, JTSP15

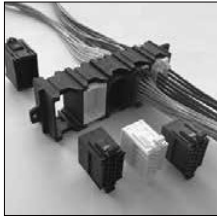
Array: S···Single-row  
D···Dual-row (Pitch between rows 5.08 mm)  
M···Dual-row (Pitch between rows 7.62 mm)

Color: K···Black  
S···White

Surface finish: GSAN···Nickel-undercoated,  
0.1 μm selective gold-plated  
GE···Nickel-undercoated,  
0.2 μm selective gold-plated  
GG,GH···Nickel-undercoated,  
0.38 μm selective gold-plated

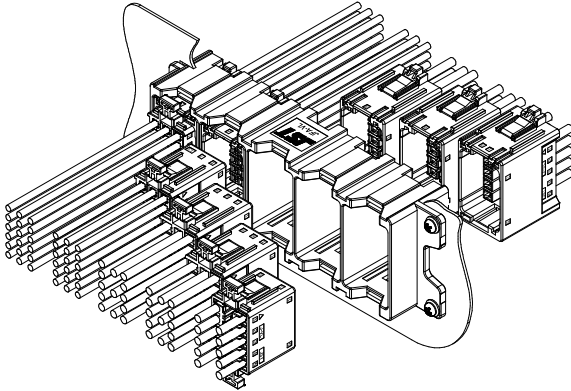
Keying: X···X-Keying  
Y···Y-Keying  
Z···Z-Keying  
XX···XX-Keying  
YY···YY-Keying  
XY···XY-Keying  
Blank···Without keying

Packaging style: R, KR···Packaged in tray



# JFA-VL CONNECTOR

5.6/6.5/6.7 mm pitch/Wire-to-Wire connectors/Crimp style and Mating style



JFA-VL is a highly integrated connector system for electrical circuitry. It is designed for signal and power supply applications for use in factory automation, heavy electric machinery, railway and general industrial equipment.

- Featuring a wide range of wire gauges (AWG #28 to AWG #12)
- Keying available to prevent incorrect mating
- Panel lock type is also available in the JFA-VL connector lineup. It can be attached to the panel by itself.
- Frame housing style for modular system (1 frame, max. 5 modules)
- Pincounts available  
 J300 Series: 90 pins (18 pins x 5 modules)  
 J4000 Series: 65 pins (13 pins x 5 modules)  
 VL Series: 50 pins (10 pins x 5 modules)

## ■ Specifications

• Current rating : AC/DC

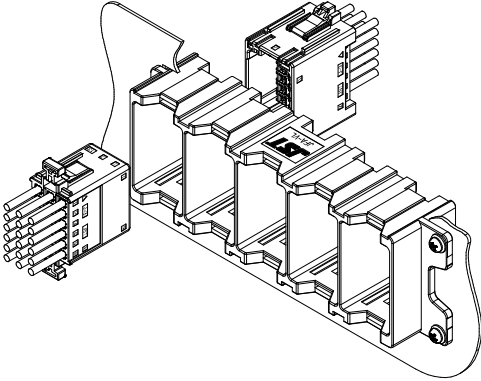
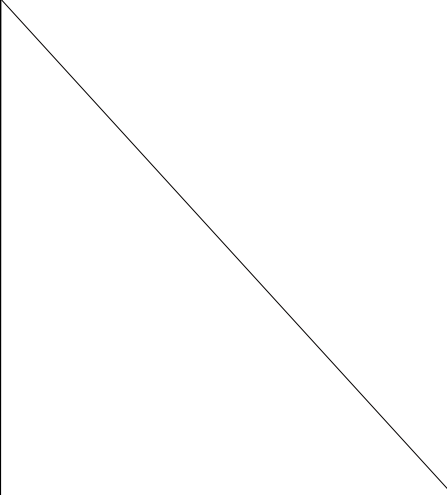
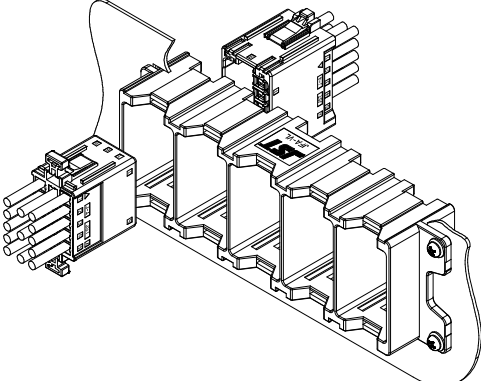
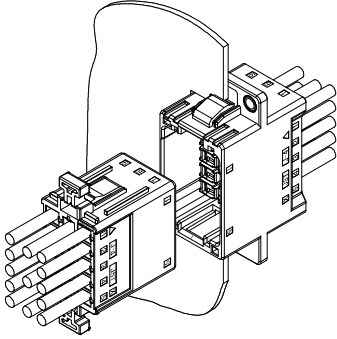
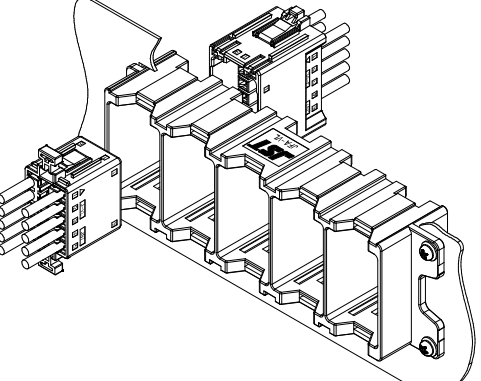
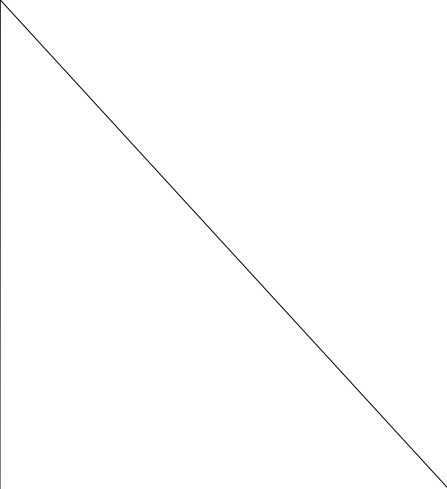
Current unit: A

	#12	#14	#16
J300 Series	-	10.0	8.0
J4000 Series	15.0	12.5	10.0
VL Series	15.0	12.0	9.0

- Voltage rating : 600 V AC/DC
- Temperature range :
  - 55°C to +105°C (J300/J4000 Series)  
(Including temperature rise in applying electrical current)
  - 25°C to +90°C (VL Series)  
(Including temperature rise in applying electrical current)
- Applicable wire range : Conductor size/
  - AWG # 28 to AWG # 14 (J300 Series)
  - AWG # 16 to AWG # 12 (J4000 Series)
  - AWG # 20 to AWG # 12 (VL Series)
- \* Please note that the above general specifications may differ from safety standards.
- \* Please refer to the "Handling Precautions for Terminals and Connectors" on our website (listed in the "Technical Documents" column on the Product Information page) before use.
- \* RoHS2 compliance
- \* Dimensional unit: mm
- \* Contact JST for details.

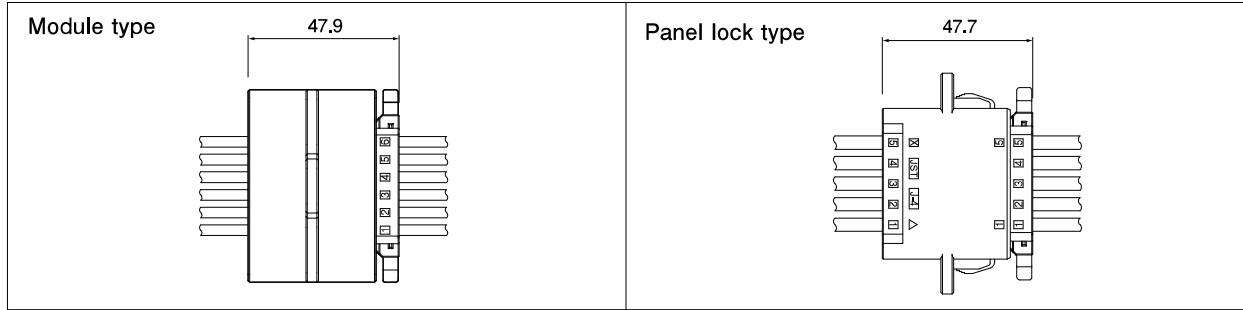
# JFA-VL CONNECTOR

## JFA-VL Line-up

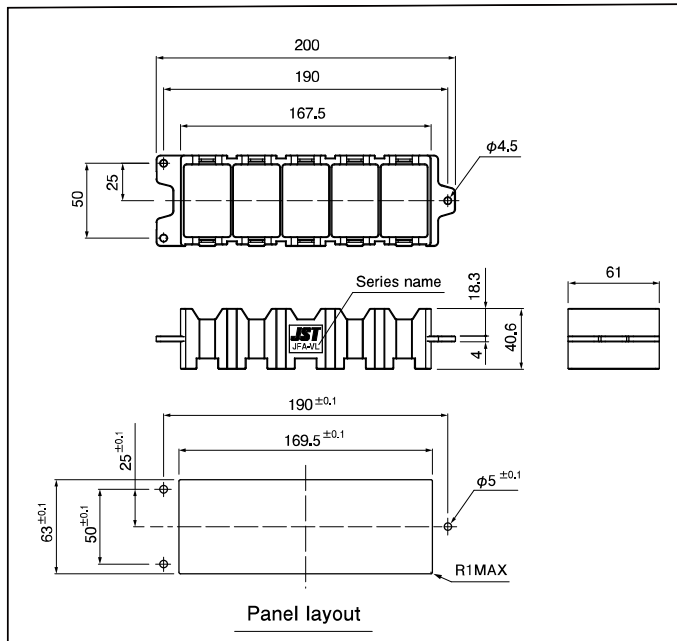
Type	Module type	Panel lock type
J300 Series	 <p data-bbox="565 842 841 869">90 pins (18 pins x 5 modules)</p>	
J4000 Series	 <p data-bbox="565 1339 841 1367">65 pins (13 pins x 5 modules)</p>	 <p data-bbox="1149 1339 1263 1367">13 circuits</p>
VL Series	 <p data-bbox="565 1833 841 1860">50 pins (10 pins x 5 modules)</p>	

# JFA-VL CONNECTOR

## Assembly layout

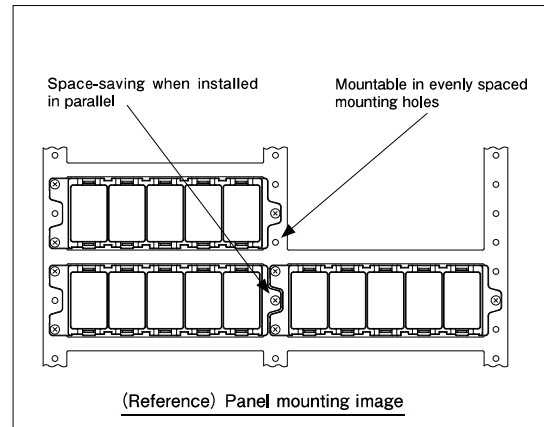


## Frame housing

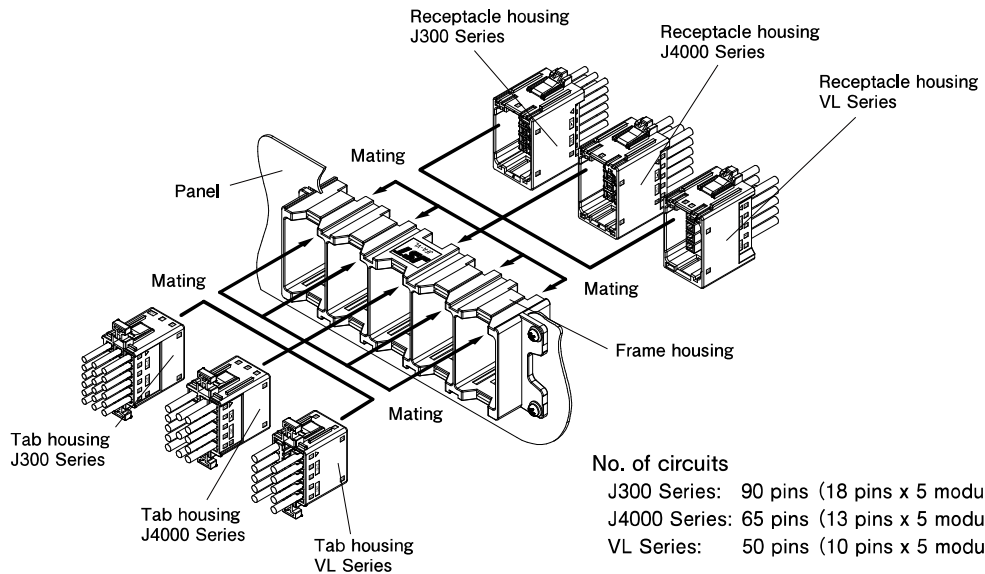


No. of modules	Keying	Model No.	Q'ty/box
5	-	FVFP-05V-K	3

**Material and Surface finish, etc.**  
PBT (Glass-filled), UL94V-0, black



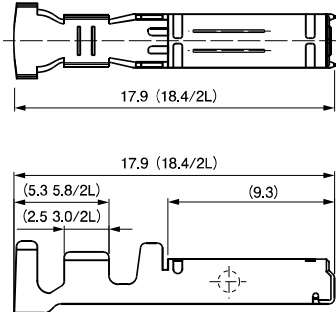
## Mating combinations



# JFA-VL CONNECTOR

## Receptacle contact / Socket contact

### • J300 Series



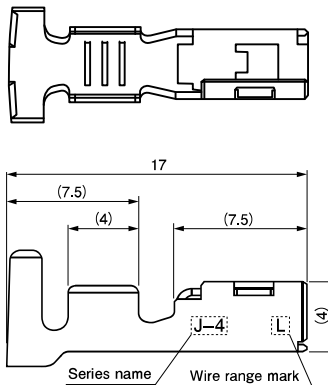
Strip contact Model No.	Loose piece contact Model No.	Size	Applicable wire range			Q'ty	
			Conductor size		Insulation O.D.	reel	box (Loose price)
			AWG	mm <sup>2</sup>	mm		
SF3F-002(*)-P2.0	BF3F-002(*)-P2.0	S	#28 to #24	0.08 to 0.20	0.8 to 1.4	3,700	1,000
SF3F-01(*)-P2.0	BF3F-01(*)-P2.0	M	#24 to #20	0.20 to 0.50	1.2 to 2.6	3,700	1,000
SF3F-41(*)-P2.0	LF3F-41(*)-P2.0	L	#20 to #16	0.50 to 1.25	1.8 to 2.8	3,200	1,000
SF3F-71(*)-P2.0	BF3F-71(*)-P2.0	2L	#16 to #14	1.25 to 2.0	2.4 to 3.4	3,200	1,000

#### Material and Surface finish, etc.

Copper alloy (superior conductivity), nickel-undercoated, selective gold-plated

Note) Surface finish (\*): GF .....Nickel-undercoated, 0.38 μm selective gold-plated  
 GFA .....Nickel-undercoated, 0.38 μm selective gold-plated (Type A)  
 GI .....Nickel-undercoated, 0.76 μm selective gold-plated  
 GIA ..... Nickel-undercoated, 0.76 μm selective gold-plated (Type A)

### • J4000 Series

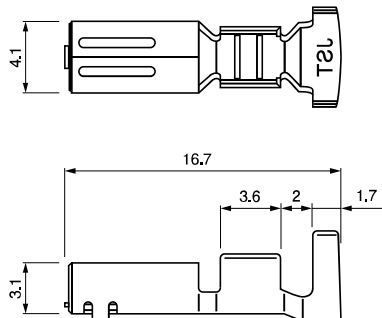


Strip contact Model No.	Loose piece contact Model No.	Size	Applicable wire range			Q'ty	
			Conductor size		Insulation O.D.	reel	box (Loose price)
			AWG	mm <sup>2</sup>	mm		
SJ4F-71GF-M3.0	BJ4F-71GF-M3.0	M	#16 to #14	1.25 to 2.0	2.0 to 3.8	1,400	350
SJ4F-81GF-M3.0	BJ4F-81GF-M3.0	L	#14 to #12	2.0 to 3.5	2.9 to 4.2	1,400	350

#### Material and Surface finish, etc.

Copper alloy (superior conductivity), nickel-undercoated, 0.38 μm selective gold-plated

### • VL Series



Strip contact Model No.	Loose piece contact Model No.	Size	Applicable wire range			Q'ty	
			Conductor size		Insulation O.D.	reel	box (Loose price)
			AWG	mm <sup>2</sup>	mm		
SVF-61T-P2.0	BVF-61T-P2.0	#20 to #14	0.5 to 2.0	1.9 to 3.4	2,000	1,000	
SVF-81T-P2.0	BVF-81T-P2.0	#12	3.5	4.1	2,000	1,000	

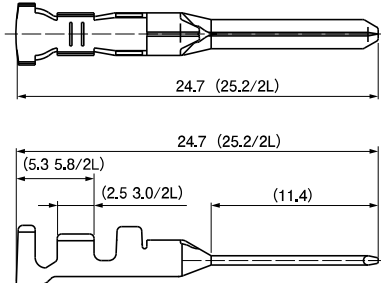
#### Material and Surface finish, etc.

Phosphor bronze, tin-plated

# JFA-VL CONNECTOR

## Tab contact / Pin contact

### • J300 Series



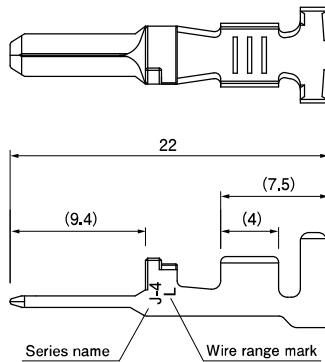
Strip contact Model No.	Loose piece contact Model No.	Size	Applicable wire range			Q'ty	
			Conductor size		Insulation O.D. mm	reel	box (Loose piece)
			AWG	mm <sup>2</sup>			
SF3M-002(*)-M2.0N	BF3M-002(*)-M2.0N	S	#28 to #24	0.08 to 0.20	0.8 to 1.4	3,500	1,000
SF3M-01(*)-M2.0N	BF3M-01(*)-M2.0N	M	#24 to #20	0.20 to 0.50	1.2 to 2.6	3,500	1,000
SF3M-41(*)-M2.0N	LF3M-41(*)-M2.0N	L	#20 to #16	0.50 to 1.25	1.8 to 2.8	3,300	1,000
SF3M-71(*)-M2.0N	BF3M-71(*)-M2.0N	2L	#16 to #14	1.25 to 2.0	2.4 to 3.4	3,200	1,000

#### Material and Surface finish, etc.

Copper alloy (superior conductivity), nickel-undercoated, selective gold-plated

Note) Surface finish (\*): GF.....Nickel-undercoated, 0.38 μm selective gold-plated  
GI .....Nickel-undercoated, 0.76 μm selective gold-plated

### • J4000 Series

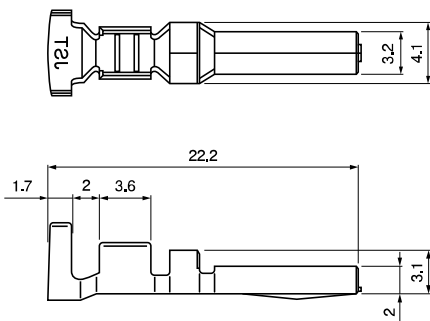


Strip contact Model No.	Size	Applicable wire range			Q'ty/reel
		Conductor size		Insulation O.D. mm	
		AWG	mm <sup>2</sup>		
SJ4M-71GF-M3.0	M	#16 to #14	1.25 to 2.0	2.0 to 3.8	1,800
SJ4M-81GF-M3.0	L	#14 to #12	2.0 to 3.5	2.9 to 4.2	1,800

#### Material and Surface finish, etc.

Copper alloy (superior conductivity), nickel-undercoated, 0.38 μm selective gold-plated

### • VL Series



Strip contact Model No.	Loose piece contact Model No.	Size	Applicable wire range			Q'ty	
			Conductor size		Insulation O.D. mm	reel	box (Loose piece)
			AWG	mm <sup>2</sup>			
SVM-61T-P2.0	BVM-61T-P2.0	#20 to #14	0.5 to 2.0	1.9 to 3.4	2,000	1,000	
SVM-81T-P2.0	BVM-81T-P2.0	#12	3.5	4.1	2,000	1,000	

#### Material and Surface finish, etc.

Phosphor bronze, tin-plated

# JFA-VL CONNECTOR

## Strip contact

Series	Strip contact Model No.	Crimping machine	Applicator	Crimp applicator with dies	Hand tools
J300	SF3F-002(*)-P2.0	AP-K2N	MKS-L	APLMK SF3F/M002-20	YRK-8821
	SF3M-002(*)-M2.0N				
	SF3F-01(*)-P2.0	AP-K2N	MKS-L	APLMK SF3F/M01-20	YRK-8811
	SF3M-01(*)-M2.0N				
	SF3F-41(*)-P2.0	AP-K2N	MKS-L	APLMK SF3F/M41-20	YRK-8801
	SF3M-41(*)-M2.0N				
	SF3F-71(*)-P2.0	AP-K2N	MKS-L	APLMK SF3F/M71-20	YRK-1071
SF3M-71(*)-M2.0N					
J4000	SJ4F-71GF-M3.0	AP-K2N	MKS-L-SIN3	APLMK SJ4F/M71-30	YRK-1130
	SJ4M-71GF-M3.0				
	SJ4F-81GF-M3.0	AP-K2N	MKS-L-SIN3	APLMK SJ4F/M81-30	YRK-1370
	SJ4M-81GF-M3.0				
VL	SVF-61T-P2.0	AP-K2N	MKS-L	APLMK SVF/M61-20	-
	SVM-61T-P2.0				
	SVF-81T-P2.0	AP-K2N	MKS-L	APLMK SVF/M81-20	-
	SVM-81T-P2.0				

Note) Surface finish (\*): GF .....Nickel-undercoated, 0.38 μm selective gold-plated  
 GFA .....Nickel-undercoated, 0.38 μm selective gold-plated (Type A)  
 GI .....Nickel-undercoated, 0.76 μm selective gold-plated  
 GIA .....Nickel-undercoated, 0.76 μm selective gold-plated (Type A)

Note 2) For details on the YRK series of hand tools for strip contacts, please refer to the "Crimping Machines and Tools" on our website (listed in the "Technical Documents" column).

- J300 Series Extraction tool : EJ-JFAJ3
- J4000 Series Extraction tool : EJ-JFAJ4
- VL Series Extraction tool : VLJ-20

## Loose piece contact

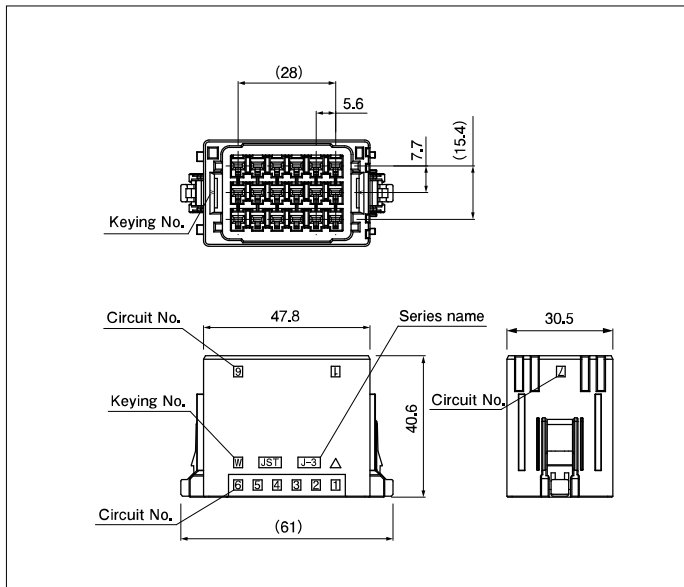
Series	Loose piece contact	Hand tools
J300	BF3F-002(*)-P2.0	YRF-882
	BF3M-002(*)-M2.0N	
	BF3F-01(*)-P2.0	YRF-881
	BF3M-01(*)-M2.0N	
	LF3F-41(*)-P2.0	YRF-880
	LF3M-41(*)-M2.0N	
	BF3F-71(*)-P2.0	YRF-1070
BF3M-71(*)-M2.0N	YRF-1071	
J4000	BJ4F-71GF-M3.0	YRF-1130
	BJ4F-81GF-M3.0	YRF-1370
VL	BVF-61T-P2.0	YRF-590
	BVM-61T-P2.0	
	BVF-81T-P2.0	YRF-591
	BVM-81T-P2.0	

Note) Surface finish (\*): GF .....Nickel-undercoated, 0.38 μm selective gold-plated  
 GFA .....Nickel-undercoated, 0.38 μm selective gold-plated (Type A)  
 GI .....Nickel-undercoated, 0.76 μm selective gold-plated  
 GIA .....Nickel-undercoated, 0.76 μm selective gold-plated (Type A)

- J300 Series Extraction tool : EJ-JFAJ3
- J4000 Series Extraction tool : EJ-JFAJ4
- VL Series Extraction tool : VLJ-20

# JFA-VL CONNECTOR / J300 Series

## Receptacle housing

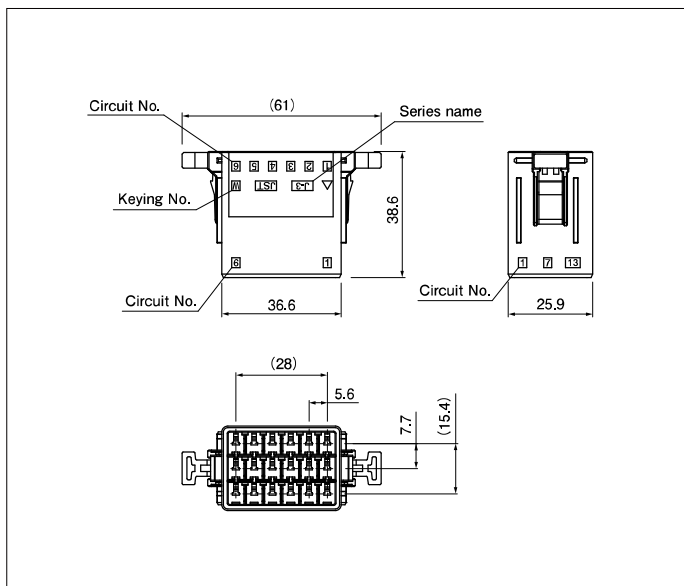


No. of circuits	Keying	Model No.	Q'ty/box
18	X	FV3FTS-18V-KX	6
	Y	FV3FTS-18V-SY	6
	Z	FV3FTS-18V-EZ	6
	W	FV3FTS-18V-MW	6

### Material and Surface finish, etc.

PBT (Glass-filled), UL94V-0  
 X-Keying (black), Y-Keying (white),  
 Z-Keying (blue), W-Keying (green)

## Tab housing



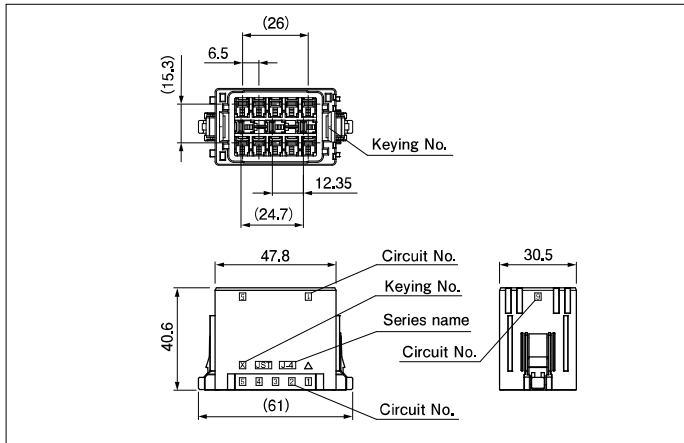
No. of circuits	Keying	Model No.	Q'ty/box
18	X	FV3MTS-18V-KX	6
	Y	FV3MTS-18V-SY	6
	Z	FV3MTS-18V-EZ	6
	W	FV3MTS-18V-MW	6

### Material and Surface finish, etc.

PBT (Glass-filled), UL94V-0  
 X-Keying (black), Y-Keying (white),  
 Z-Keying (blue), W-Keying (green)

# JFA-VL CONNECTOR / J4000 Series

## Receptacle housing

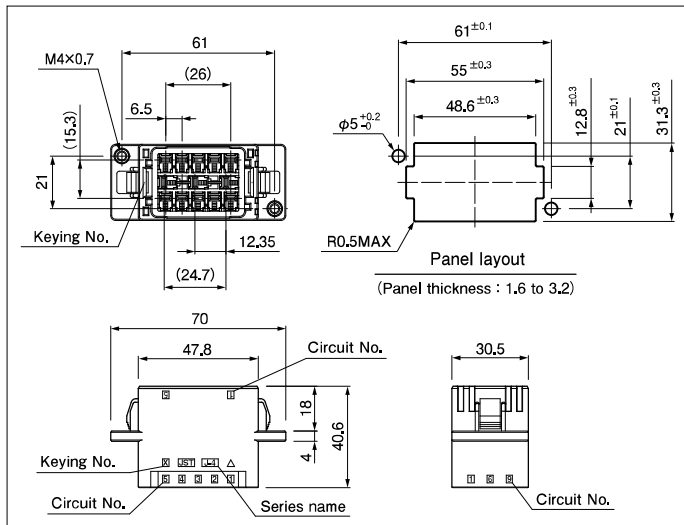


No. of circuits	Keying	Model No.	Q'ty / box
13	X	FV4FTS-13V-KX	6
	Y	FV4FTS-13V-SY	6
	Z	FV4FTS-13V-EZ	6
	W	FV4FTS-13V-MW	6
	V	FV4FTS-13V-RV	6

Material and Surface finish, etc.

PBT (Glass-filled), UL94V-0  
 X-Keying (black), Y-Keying (white),  
 Z-Keying (blue), W-Keying (green), V-Keying (red)

## Receptacle housing Panel lock type

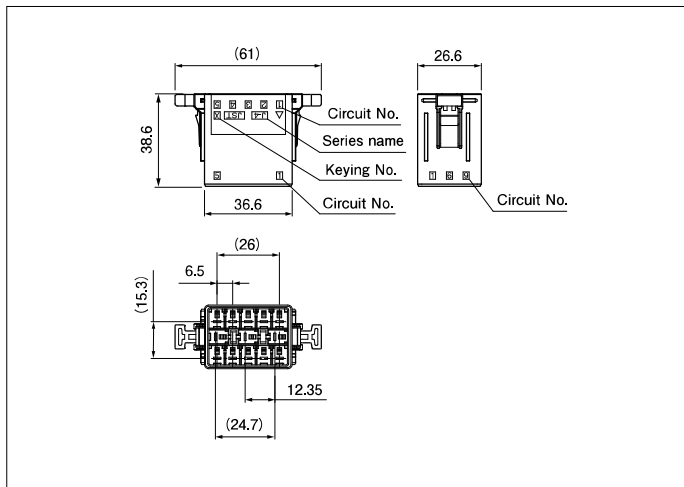


No. of circuits	Keying	Model No.	Q'ty / box
13	X	FV4FTPL-13V-KX-M4	6

Material and Surface finish, etc.

PBT (Glass-filled), UL94V-0, black,  
 Nut: Copper alloy

## Tab housing



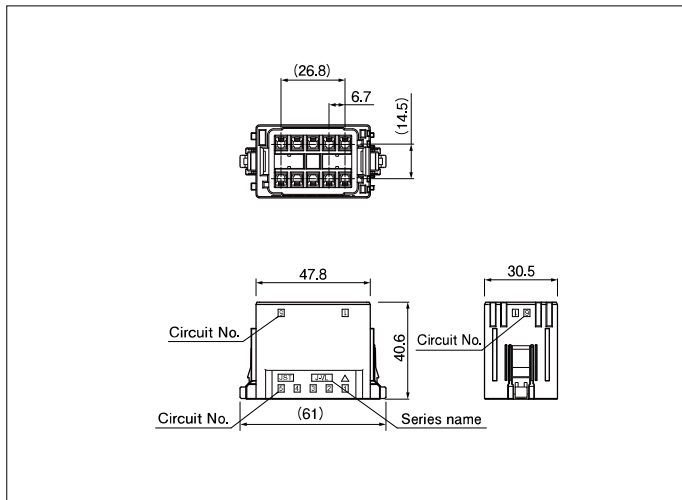
No. of circuits	Keying	Model No.	Q'ty / box
13	X	FV4MTS-13V-KX	6
	Y	FV4MTS-13V-SY	6
	Z	FV4MTS-13V-EZ	6
	W	FV4MTS-13V-MW	6
	V	FV4MTS-13V-RV	6

Material and Surface finish, etc.

PBT (Glass-filled), UL94V-0  
 X-Keying (black), Y-Keying (white),  
 Z-Keying (blue), W-Keying (green), V-Keying (red)

# JFA-VL CONNECTOR / VL Series

## Receptacle housing

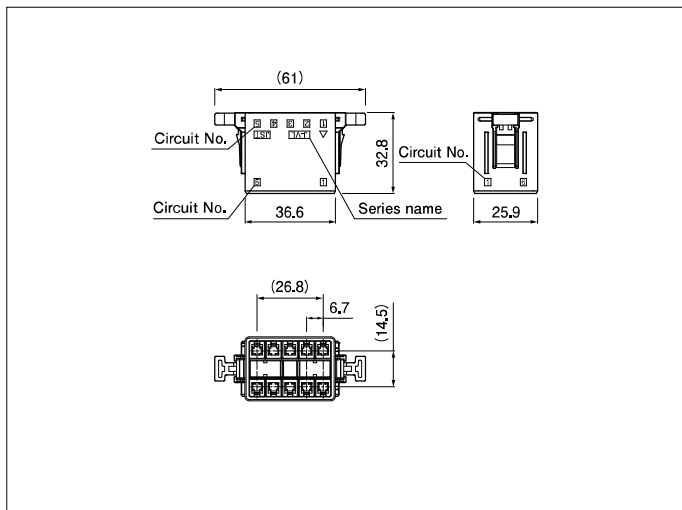


No. of circuits	Keying	Model No.	Q'ty / box
10	-	FVLFDS-10V-S	6

Material and Surface finish, etc.

PBT (Glass-filled), UL94V-0, white

## Tab housing

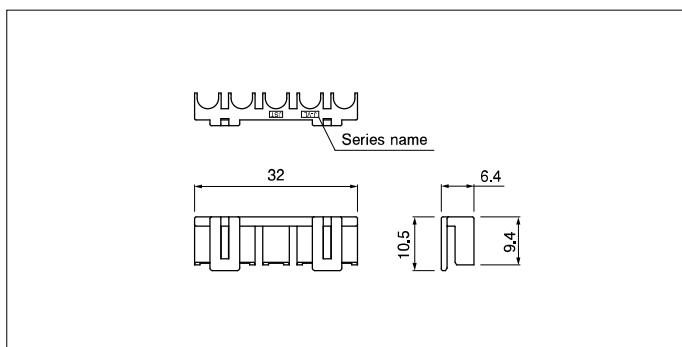


No. of circuits	Keying	Model No.	Q'ty / box
10	-	FVLMDS-10V-S	6

Material and Surface finish, etc.

PBT (Glass-filled), UL94V-0, white

## Retainer



No. of circuits	Keying	Model No.	Q'ty / box
5	-	FVLLS-05V-S	120

Material and Surface finish, etc.

PBT (Glass-filled), UL94V-0, white

# JFA-VL CONNECTOR

## Model number allocation

### Receptacle contact (J300 Series)

**S F3 F - 41 GF - P 2.0**

Supply form : S...Strip from, B...Loose piece  
L...Loose piece with curled burrels

Series name : J300 Series

Part name : Receptacle contact

Applicable wire range : 002...AWG #28 to AWG #24,  
01...AWG #24 to AWG #20, 41...AWG #20 to AWG #16,  
71...AWG #16 to AWG #14

Surface finish :

GF ...Nickel-undercoated, 0.38 μm selective gold-plated  
GFA...Nickel-undercoated, 0.38 μm selective gold-plated (Type A)  
GI ...Nickel-undercoated, 0.76 μm selective gold-plated  
GIA ...Nickel-undercoated, 0.76 μm selective gold-plated (Type A)

Material : Copper alloy

Applicable contact size

### Tab contact (J300 Series)

**S F3 M - 41 GF - M 2.0 N**

Supply form : S...Strip from,  
B...Loose piece  
L...Loose piece with curled burrels

Series name : J300 Series

Part name : Tab contact

Applicable wire range : 002...AWG #28 to AWG #24  
01...AWG #24 to AWG #20, 41...AWG #20 to AWG #16  
71...AWG #16 to AWG #14

Surface finish : GF...Nickel-undercoated, 0.38 μm selective gold-plated  
GI ...Nickel-undercoated, 0.76 μm selective gold-plated

Material : Copper alloy

Contact size

Auxiliary symbol

### Receptacle contact (J4000 Series)

**S J4 F - 71 GF - M 3.0**

Supply form : S...Strip from,  
B...Loose piece

Series name : J4000 Series

Part name : Receptacle contact

Applicable wire range : 71...AWG #16 to AWG #14  
81...AWG #14 to AWG #12

Surface finish :  
Nickel-undercoated, 0.38 μm selective gold-plated

Material : Copper alloy

Applicable contact size

### Tab contact (J4000 Series)

**S J4 M - 71 GF - M 3.0**

Supply form : Strip from

Series name : J4000 Series

Part name : Tab contact

Applicable wire range : 71...AWG #16 to AWG #14  
81...AWG #14 to AWG #12

Surface finish : Nickel-undercoated, 0.38 μm selective gold-plated

Material : Copper alloy

Contact size

### Socket contact (VL Series)

**S V F - 61 T - P 2.0**

Supply form : S...Strip from,  
B...Loose piece

Series name : VL Series

Part name : Socket contact

Applicable wire range : 61...AWG #20 to AWG #14  
81...AWG #12

Surface finish : Tin-plated

Material : Phosphor bronze

Applicable contact size

### Pin contact (VL Series)

**S V M - 61 T - P 2.0**

Supply form : S...Strip from,  
B...Loose piece

Series name : VL Series

Part name : Pin contact

Applicable wire range : 61...AWG #20 to AWG #14  
81...AWG #12

Surface finish : Tin-plated

Material : Phosphor bronze

Contact size

### Frame housing

**FV F PA - 05 V - K**

Connector name

Part name : Frame housing

Mounting arrangement : Panel mounting type

No. of modules

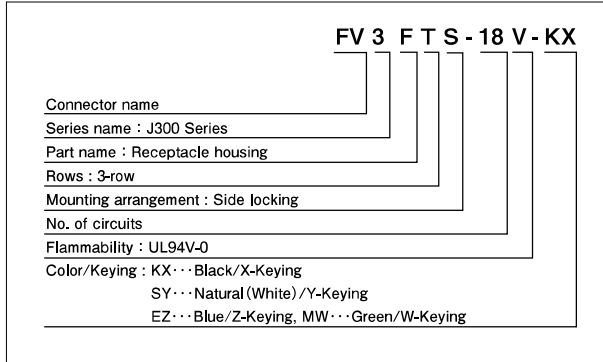
Flammability : UL94V-0

Color : Black

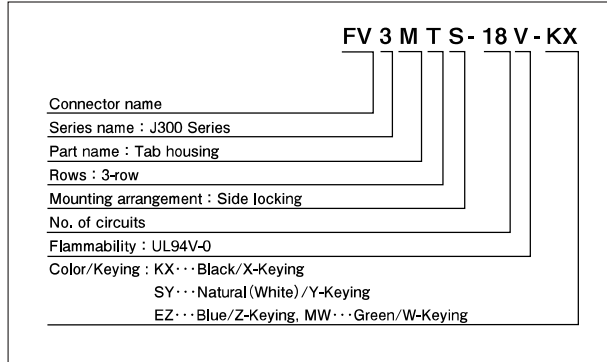
# JFA-VL CONNECTOR

## Model number allocation

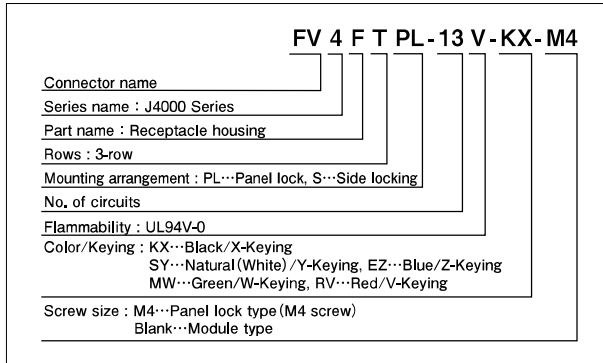
### Receptacle housing (J300 Series)



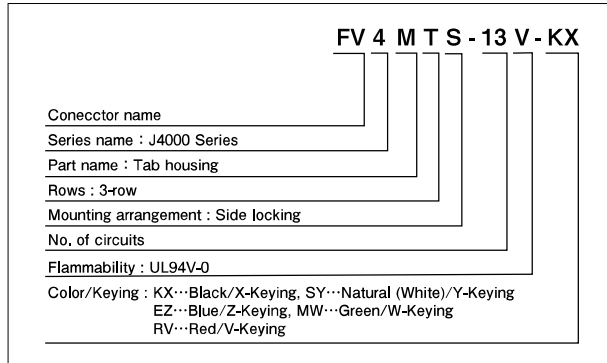
### Tab housing (J300 Series)



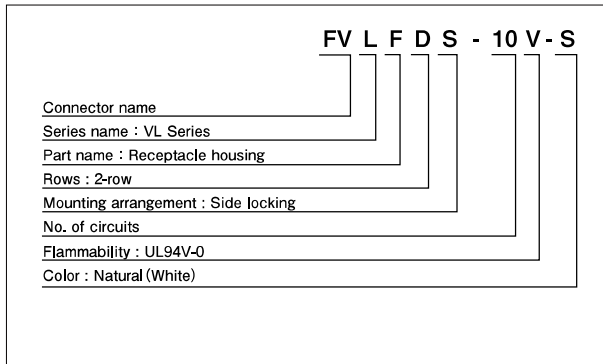
### Receptacle housing (J4000 Series)



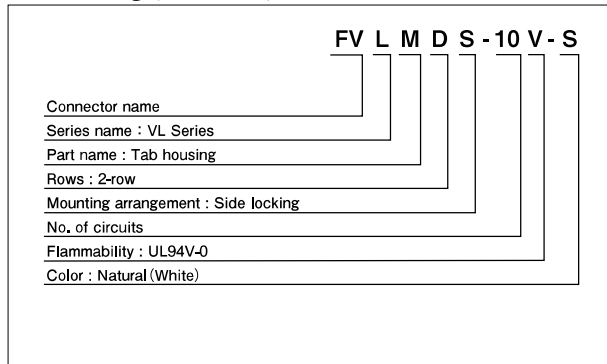
### Tab housing (J4000 Series)



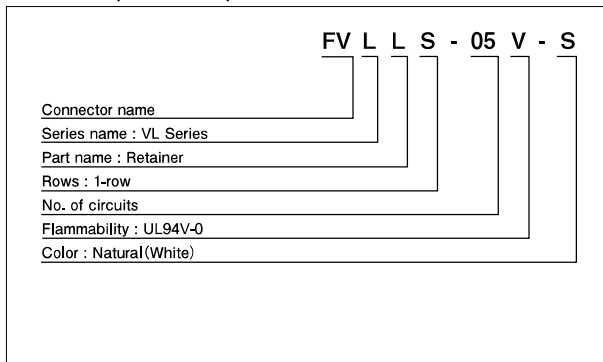
### Receptacle housing (VL Series)



### Tab housing (VL Series)



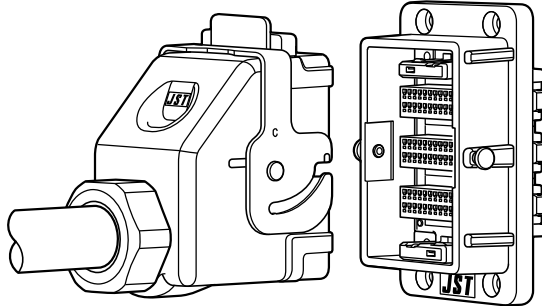
### Retainer (VL Series)





# JFA CONNECTOR METAL SHELL SERIES

Wire-to-wire connector (For Interface)



**Metal shell type I/O connector which contacts are used also with JFA connector J2000 series and J300 series.**

- **Applicable contact and tooling can be unified**
- **Rigid metal shell**
- **Waterproof performance**
- **Misinsertion prevention**

\* In using the products, refer to "Handling Precaution for Terminals and Connectors" described on our website (Technical documents of Product information page).

\* RoHS2 compliance

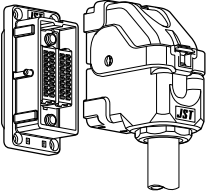
\* Dimensional unit: mm

\* Contact JST for details.

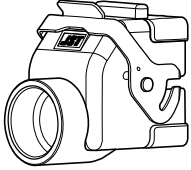
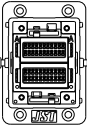
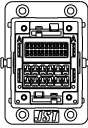
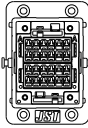
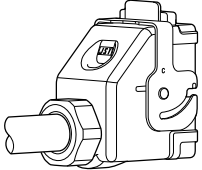
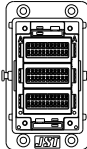
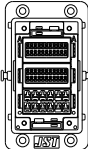
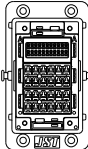
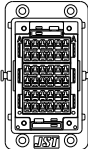
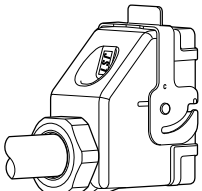
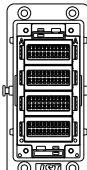
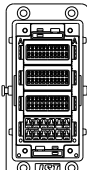
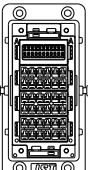
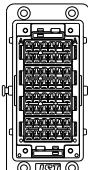
# JFA CONNECTOR / METAL SHELL SERIES

## Line-up of metal shell

### ◆J2900

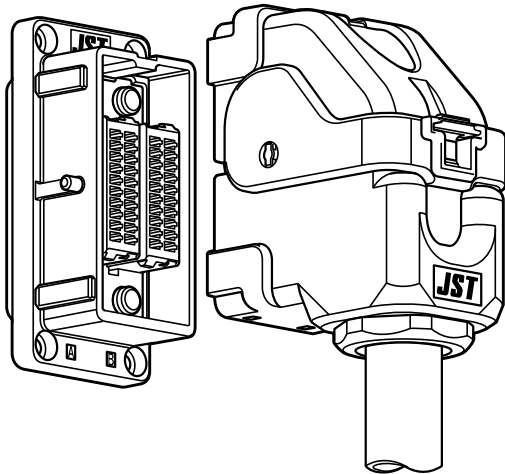
Connector series	J2000 series
	40P
J2900	
No. of circuits	20P × 2 pcs.

### ◆JFA-M

Type	Shell	Examples of combinations			
2 Module		J2000 (22P) × 2	J2000 (22P) × 1 + J300 (12P) × 1	J300 (12P) × 2	
					
No. of circuits		44P	34P	24P	
3 Module		J2000 (22P) × 3	J2000 (22P) × 2 + J300 (12P) × 1	J2000 (22P) × 1 + J300 (12P) × 2	J300 (12P) × 3
					
No. of circuits		66P	56P	46P	36P
4 Module		J2000 (22P) × 4	J2000 (22P) × 3 + J300 (12P) × 1	J2000 (22P) × 2 + J300 (12P) × 2	J300 (12P) × 4
					
No. of circuits		88P	78P, 58P	68P	48P



# JFA CONNECTOR J2900 SERIES



This connector is a metal shell type I/O connector and it's completely waterproof. Contacts are designed to be common use with JFA connector J2000 series.

- Rigid metal shell
- Easy mating operation

## ■ Standards

Ⓡ : Recognized E 60389

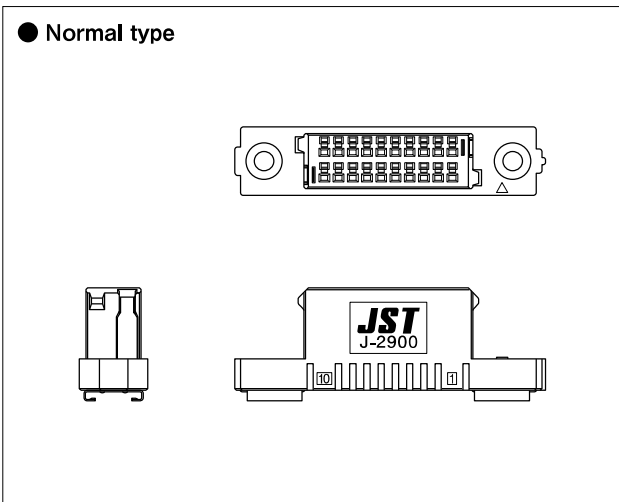
⚠ : R 50354834

## ■ Specifications

- Current rating: 3 A AC/DC (AWG #20)
  - Voltage rating: 250 V AC/DC
  - Temperature range: -55°C to + 105°C  
(including temperature rise in applying electrical current)
  - Applicable cable O.D.: 11.1 to 13.5 mm
- \* Please note that the above general specifications may differ from the safety standards.
- \* In using the products, refer to "Handling Precaution for Terminals and Connectors" described on our website (Technical documents of Product information page).
- \* RoHS2 compliance
- \* Dimensional unit: mm
- \* Contact JST for details.

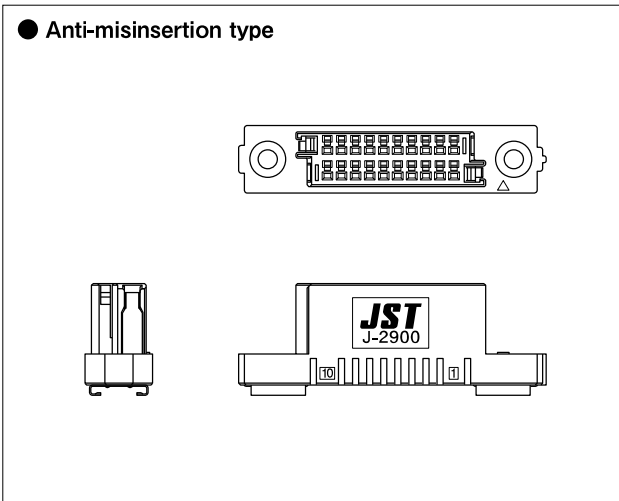
# METAL SHELL SERIES /J2900

## Receptacle housing assembly



No. of circuits	Model No.	Q'ty/box
20	J29FA-20-K	70

RoHS2 compliance



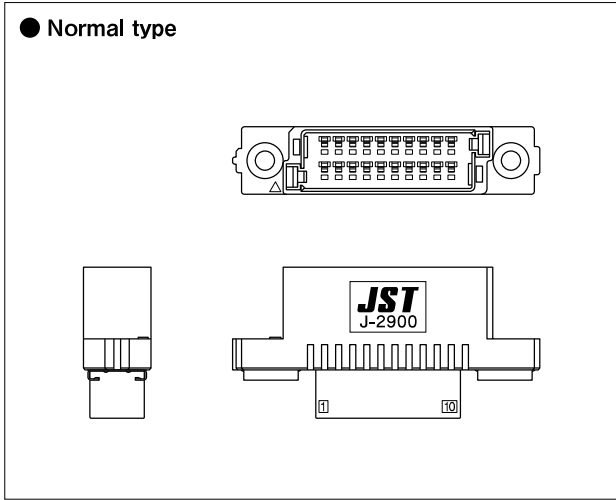
No. of circuits	Model No.	Q'ty/box
20	J29FA-20-H-1	70

RoHS2 compliance

# METAL SHELL SERIES / J2900

## Tab housing assembly

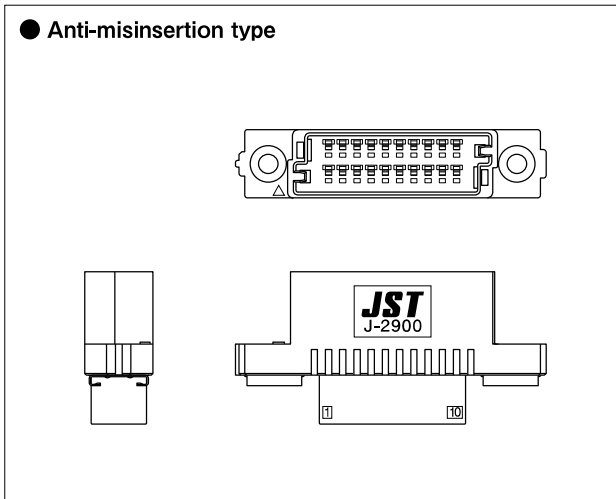
### ● Normal type



No. of circuits	Model No.	Q'ty/box
20	J29MA-20-K	70

RoHS2 compliance

### ● Anti-misinsertion type



No. of circuits	Model No.	Q'ty/box
20	J29MA-20-H-1	70

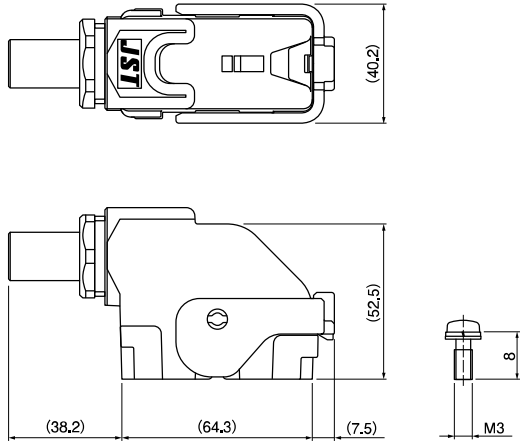
RoHS2 compliance

# METAL SHELL SERIES /J2900

## ◆ Wire side

### Shell kit

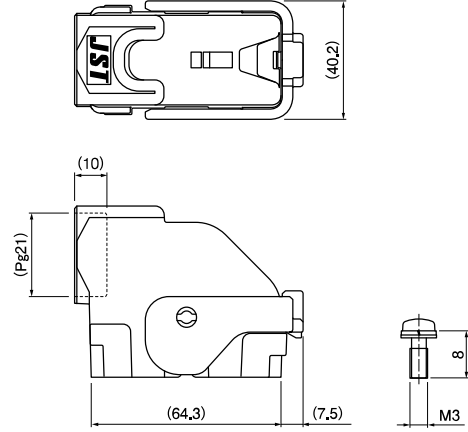
#### ● Normal type



Model No.	Q'ty/box
J29WK-K-1	30

RoHS2 compliance This product displays (PF) on a label.

#### ● For Pg21



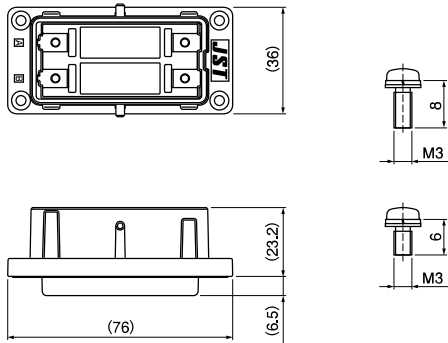
Pg21 screw mounting product ( For flexible tubing, etc. )

Model No.	Q'ty/box
J29WK-K-A	35

RoHS2 compliance This product displays (PF) on a label.

## ◆ Panel side

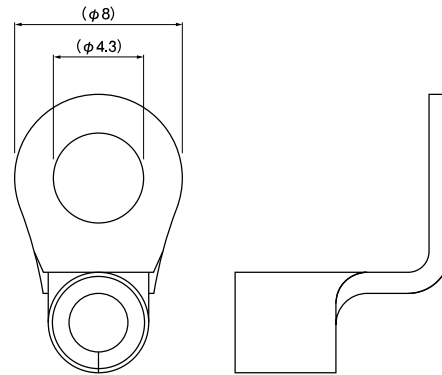
### Shell kit



Model No.	Q'ty/box
J29PK-K	35

RoHS2 compliance This product displays (PF) on a label.

#### ● Ground terminal

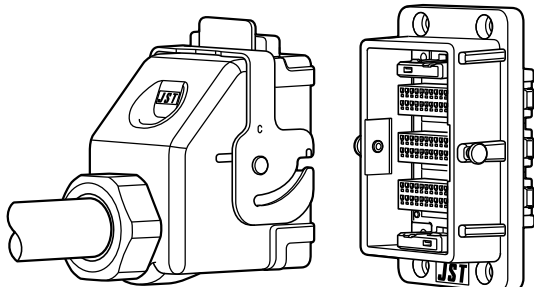


Model No.	Q'ty/box
L3.5-R4	1,000

RoHS2 compliance



# JFA CONNECTOR JFA-M SERIES




**Metal shell type connector which contacts are designed to be common use with JFA connector J2000 series and J300 series.**

- Rigid metal shell
- Lever (3 and 4 module types) provides easy mating and unmating connector
- Combination of modular housing

## ■ Standards

 : Recognized E 60389

 : R50287698

## ■ Specifications

- Current rating: J2000 Series (2 and 3 Module)  
…3 A AC/DC (AWG #20)  
J2000 Series (4 Module)  
…2.5 A AC/DC (AWG #20)  
J300 Series …5 A AC/DC (AWG #16)
- Voltage range: J2000 Series …250 V AC/DC  
J300 Series …600 V AC/DC
- Temperature range: -55°C to +105°C  
(including temperature rise in applying electrical current)

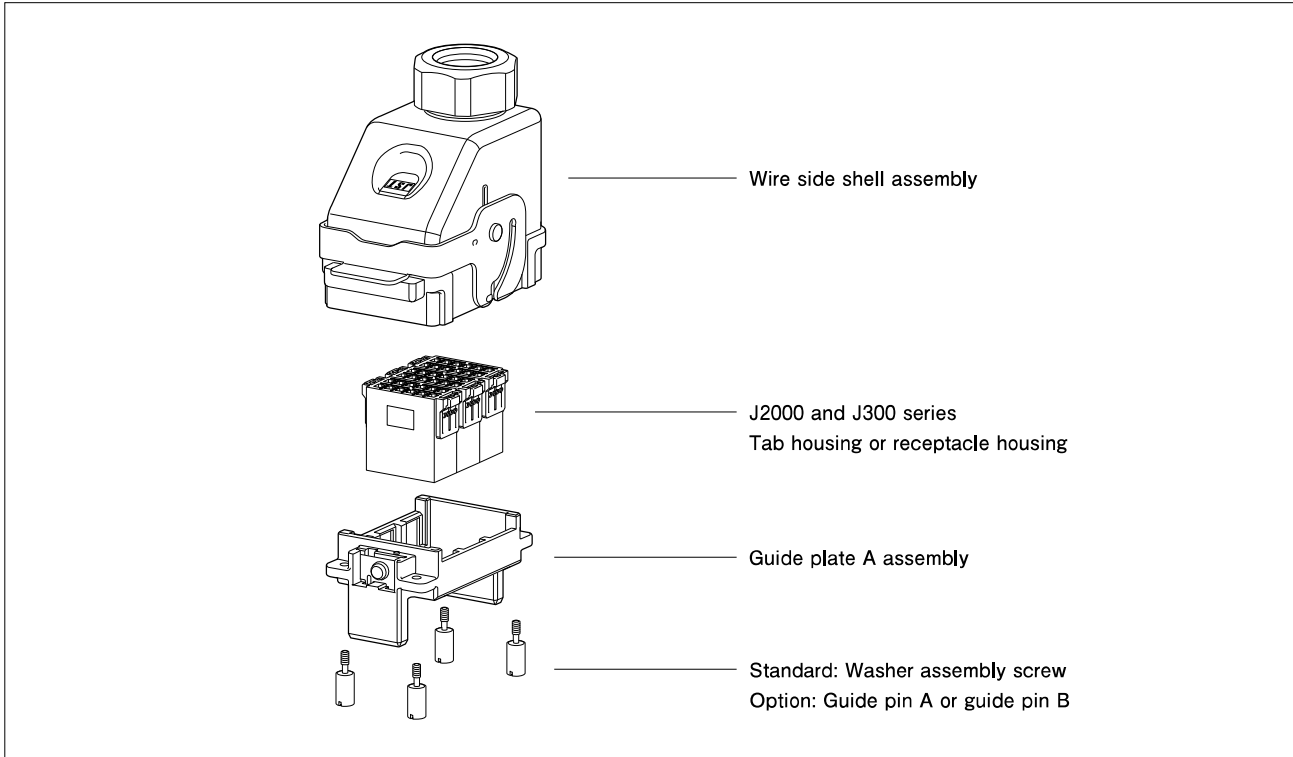
- \* Please note that the above general specifications may differ from the safety standards.
- \* In using the products, refer to “Handling Precaution for Terminals and Connectors” described on our website (Technical documents of Product information page).
- \* RoHS2 compliance
- \* Dimensional unit: mm
- \* Contact JST for details.

# METAL SHELL SERIES / JFA-M

## Components

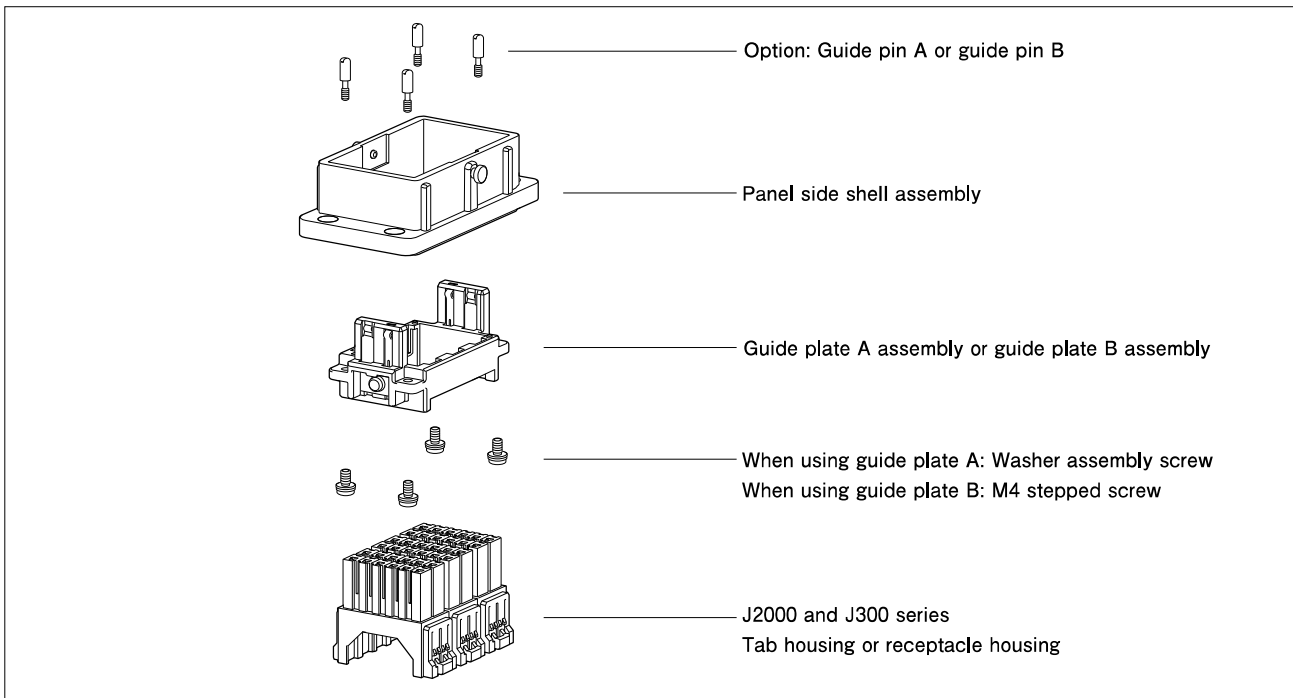
### ◆ Wire side

#### Shell assembly



### ◆ Panel side

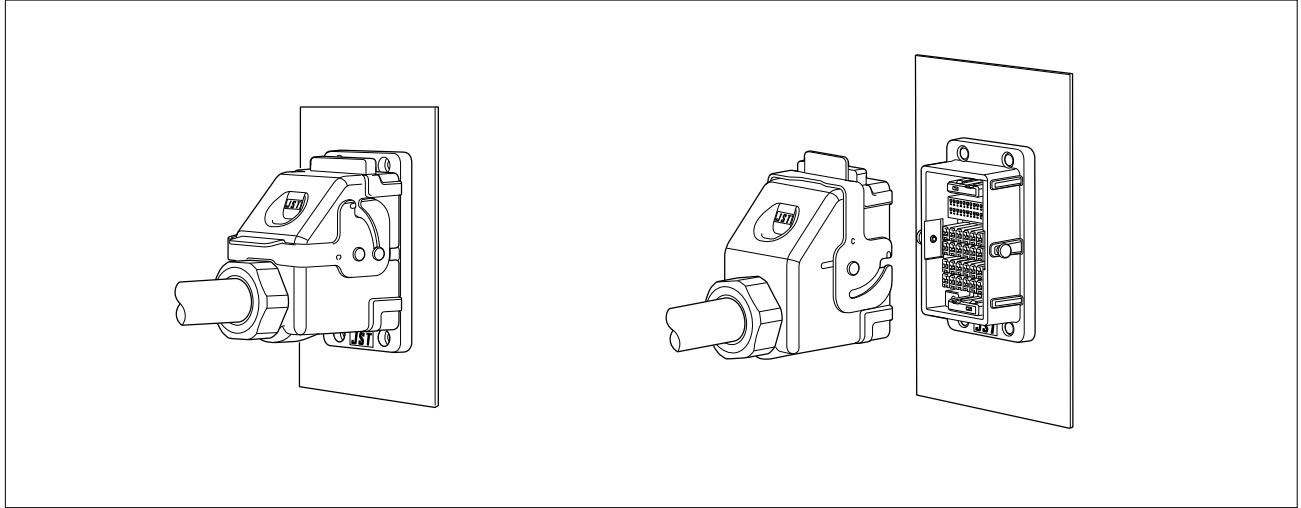
#### Shell assembly



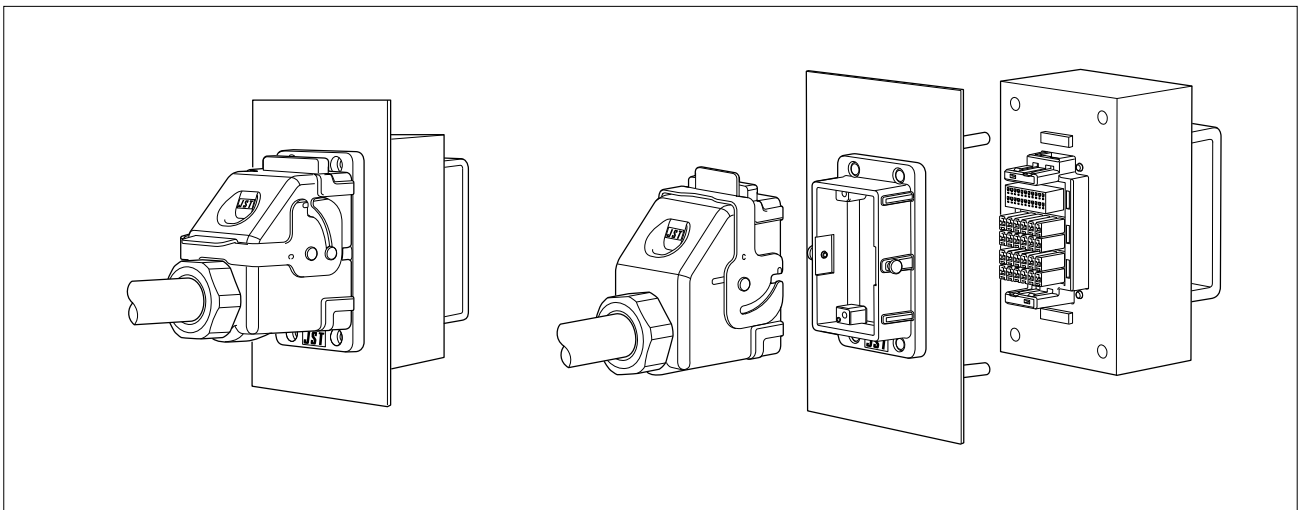
# METAL SHELL SERIES /JFA-M

## Examples of use

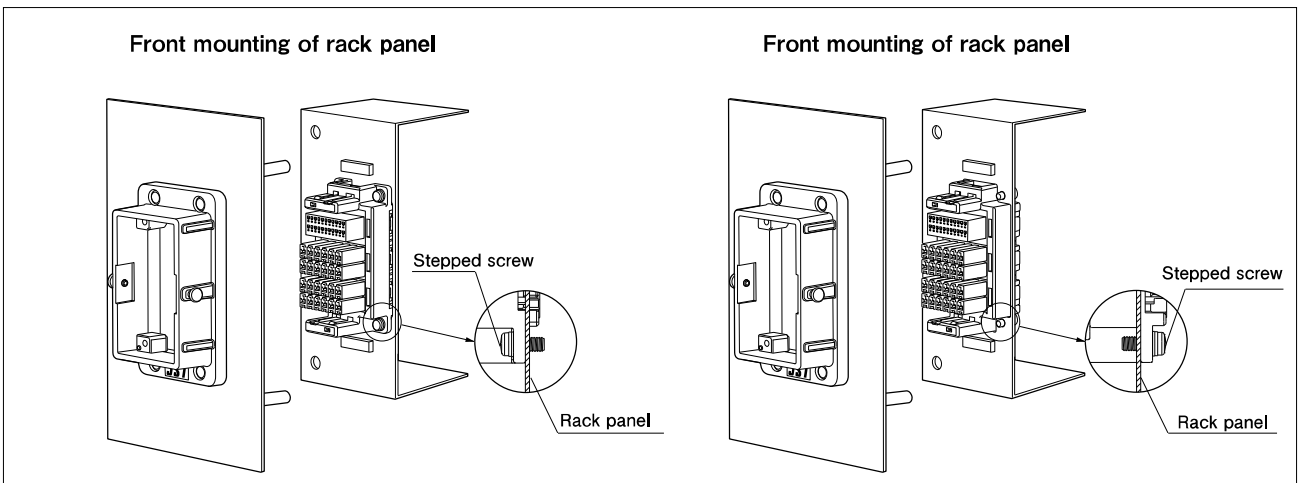
### Waterproof I/O connector



### Drawer type



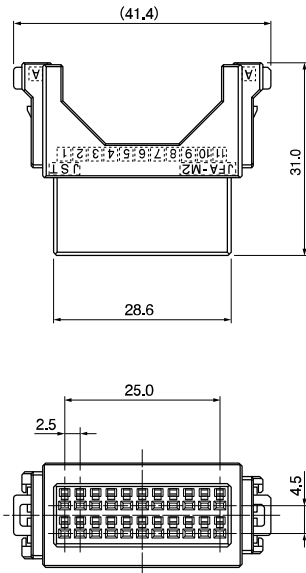
### Drawer type (Rack mounting method)



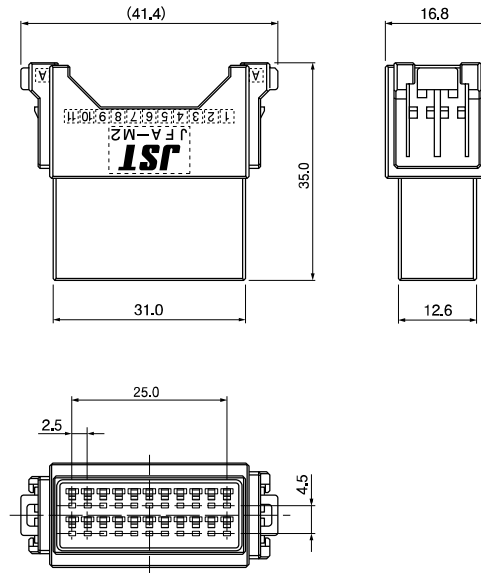
# METAL SHELL SERIES / JFA-M

## J2000 series housing (User for both panel mounting and drawer type)

● Receptacle housing  
JFM2FDN-22V-K



● Tab housing  
JFM2MDN-22V-K

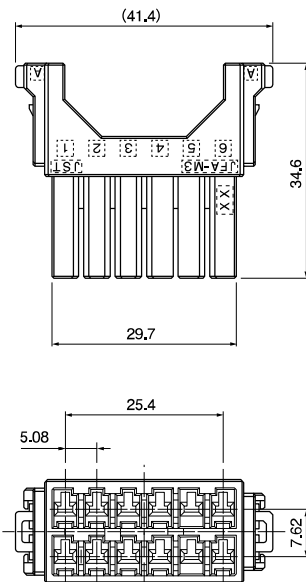


Note: Refer to the J2000 series receptacle contact and sequential tab contact page for the J2000 series contact.

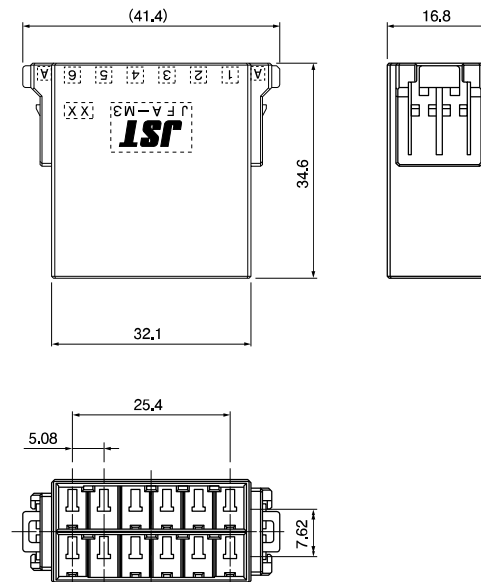
RoHS2 compliance

## J300 series housing (User for both panel mounting and drawer type)

● Receptacle housing  
JFM3FMN-12V-K



● Tab housing  
JFM3MMN-12V-K



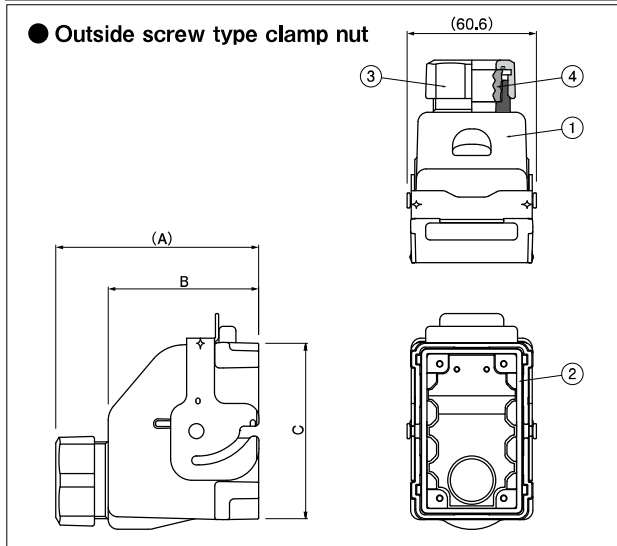
Note: Refer to the J300 series receptacle contact and tab contact page for the J300 series contact.

RoHS2 compliance

# METAL SHELL SERIES / JFA-M

## ◆ Wire side

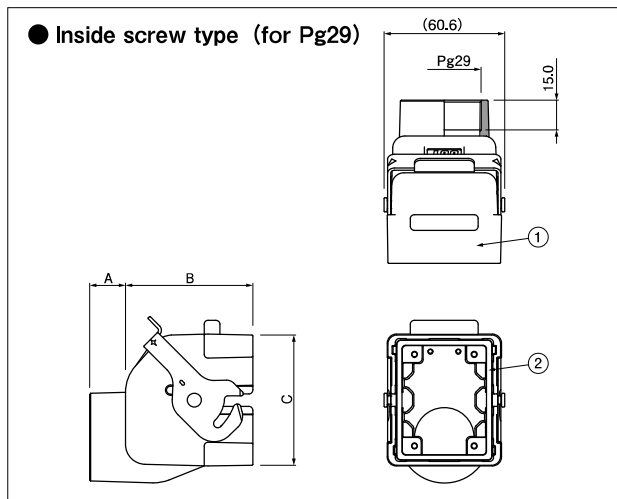
### Shell assembly



No. of combining housing	Model No.	Applicable Cable O.D. (mm)	Dimensions (mm)		
			A	B	C
3 Module	JFM-WSA-3-B	φ 20.2 to 22.0	95.0	70.5	82.0
	JFM-WSA-3-C	φ 15.5 to 16.5	95.8		
4 Module	JFM-WSA-4-A	φ 26.2 to 28.0	103.5	79.0	99.0
	JFM-WSA-4-C	φ 15.5 to 16.5	104.3		

No.	Parts name	Q'ty
1	Wire side shell	1
2	Seal ring	1
3	Clamp nut	1
4	Clamp rubber	1

RoHS2 compliance This product displays (PF) on a label.



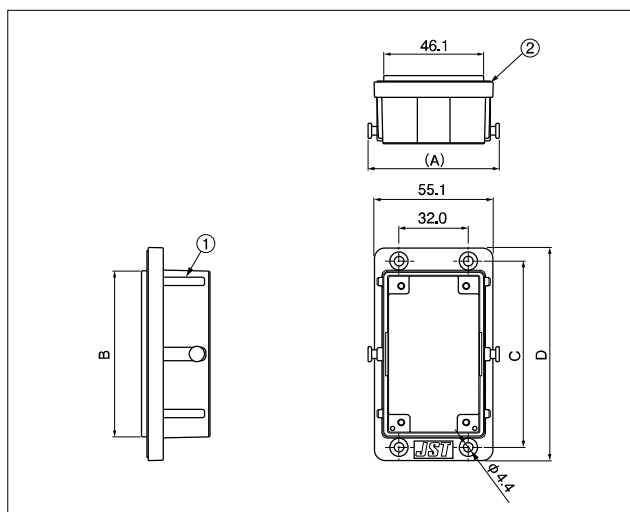
No. of combining housing	Model No.	Dimension (mm)		
		A	B	C
2 Module	JFM-WSA-2-1	18.0	64.0	66.2

No.	Part name	Q'ty
1	Wide side shell	1
2	Seal ring	1

RoHS2 compliance

## ◆ Panel side

### Shell assembly



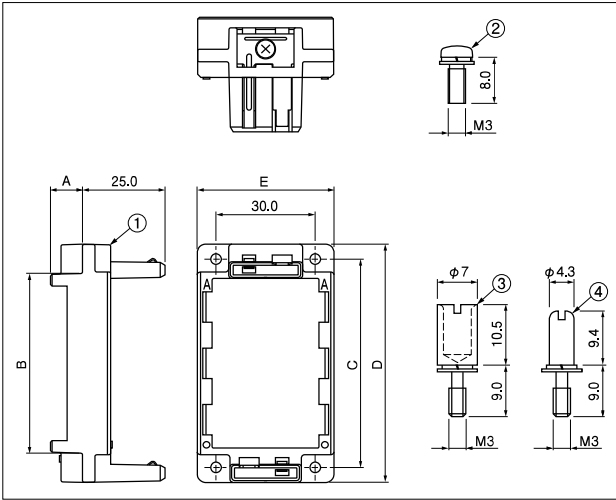
No. of combining housing	Model No.	Dimensions (mm)			
		A	B	C	D
2 Module	JFM-PSA-2	60.5	59.7	69.0	81.5
3 Module	JFM-PSA-3	60.6	76.7	86.0	98.5
4 Module	JFM-PSA-4	60.6	93.7	103.0	115.5

No.	Parts name	Q'ty
1	Panel side shell	1
2	Seal rubber plate	1

RoHS2 compliance JFM-PSA-3 and JFM-PSA-4 display (PF) on a label.

# METAL SHELL SERIES / JFA-M

## Guide plate A (With the combination of side and panel side shell assembly)



No. of combining housing	Model No.	Dimensions (mm)				
		A	B	C	D	E
2 Module	JFM-GPAK-2	9.6	37.4	46.0	54.8	41.9
3 Module	JFM-GPAK-3	9.7	54.4	63.0	72.0	41.4
4 Module	JFM-GPAK-4	9.7	71.4	80.0	89.0	41.4

No.	Parts name	Q'ty
1	Guide plate A assembly	1
2	Washer assembly screw	4
3	Guide pin A JFM-PIA3-N	—
4	Guide pin B JFM-PIB3-N	—

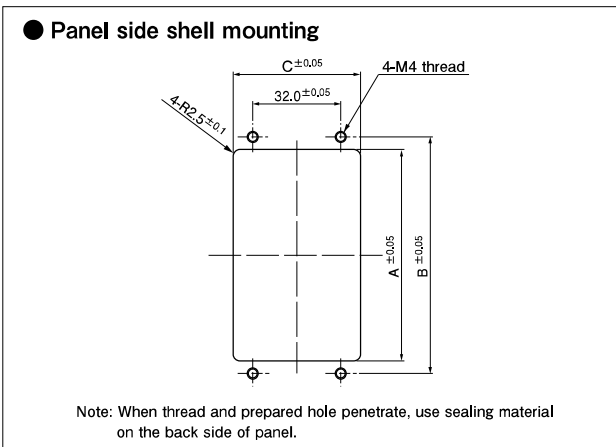
RoHS2 compliance  
Note: Guide pins A and B are optional parts.

Refer to the combinations list below for the guide pin A/B usage. (Shell mounting pattern at panel side)

No. of guide pins	Pattern 1	Pattern 2	Pattern 3	Pattern 4	Pattern 5	Pattern 6
Guide pin A: 0 pcs. Guide pin B: 4 pcs.						
Guide pin A: 1 pcs. Guide pin B: 3 pcs.						
Guide pin A: 2 pcs. Guide pin B: 2 pcs.						
Guide pin A: 3 pcs. Guide pin B: 1 pcs.						
Guide pin A: 4 pcs. Guide pin B: 0 pcs.						

Note: Shell mounting pattern at wire side becomes opposite to the above pattern.

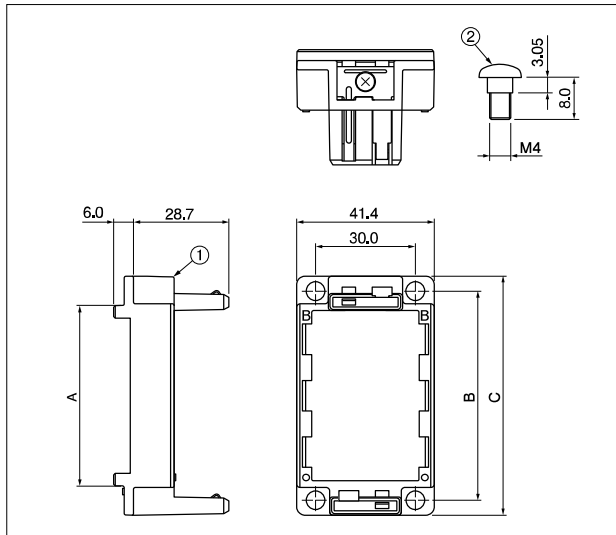
## Panel cut dimensions



No. of combining housing	Dimensions (mm)		
	A	B	C
2 Module	60.0	69.0	46.4
3 Module	76.9	86.0	46.3
4 Module	93.9	103.0	46.3

# METAL SHELL SERIES / JFA-M

## Guide plate B



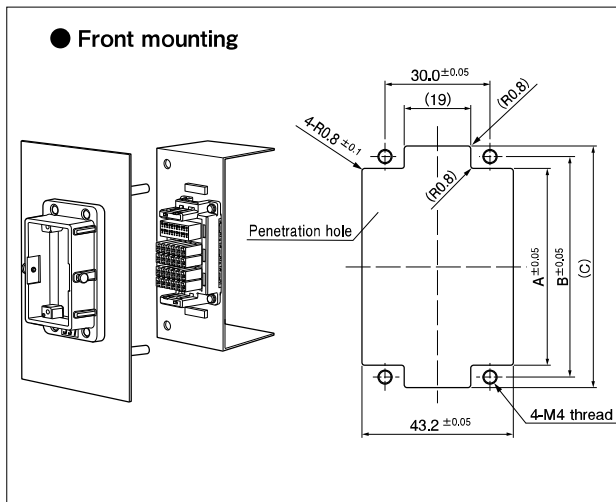
No. of combining housing	Model No.	Dimensions (mm)		
		A	B	C
3 Module	JFM-GPBK-3	54.4	63.0	72.0
4 Module	JFM-GPBK-4	71.4	80.0	89.0

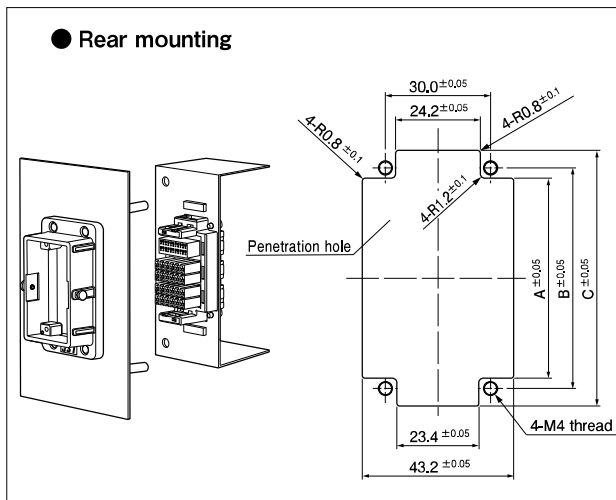
No.	Parts name	Q'ty
1	Guide plate B Assembly	1
2	M4 stepped screw	4

RoHS2 compliance

## Drawer type rack panel cut dimensions



No. of combining housing	Dimensions (mm)		
	A	B	C
3 Module	56.2	63.0	69.0
4 Module	73.2	80.0	86.0



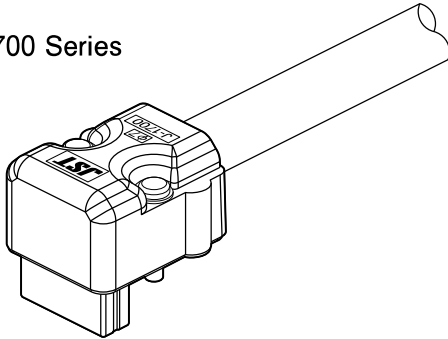
No. of combining housing	Dimensions (mm)		
	A	B	C
3 Module	57.1	63.0	73.0
4 Module	74.1	80.0	90.0



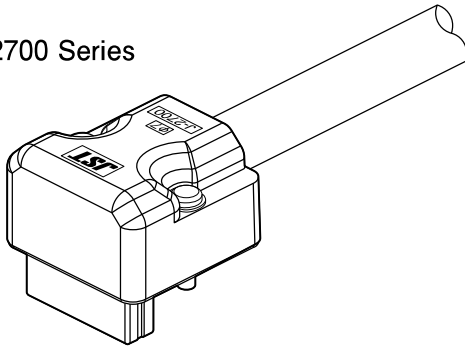
# JFA CONNECTOR J1700/2700/3700 SERIES

Connector for motor

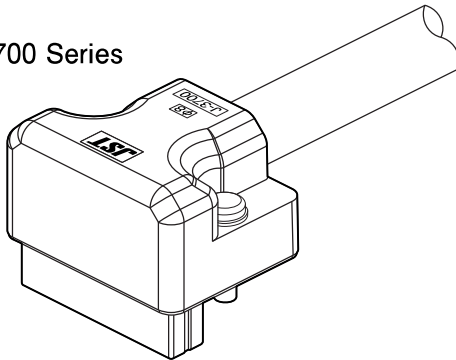
J1700 Series



J2700 Series



J3700 Series



- 6 circuit connector for power supply of servomotor
- Interchangeability with J1700M/2700M/3700M Series (EMI shielding product)

## Standards

■ : Recognized E 60389

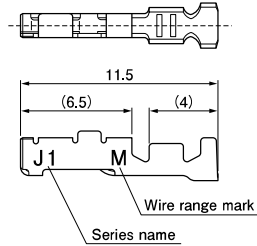
## Specifications

- Current rating :
  - 5 A AC/DC J1700 Series 2.0 mm pitch  
(When applying current to 3-circuit and using AWG #20.)
  - 7 A AC/DC J2700 Series 2.5 mm pitch  
(When applying current to 3-circuit and using AWG #20.)
  - 10 A AC/DC J3700 Series 3.8 mm pitch  
(When applying current to 3-circuit and using AWG #16.)
- Voltage rating: 250 V AC/DC
- Temperature range: -55°C to +105°C  
(including temperature rise in applying electrical current)
- Applicable cable O.D.:  $\phi 6 \pm 0.3$  mm (J1700 Series)  
 $\phi 7 \pm 0.3$  mm (J1700/J2700 Series)  
 $\phi 8 \pm 0.3$  mm (J3700 Series)
- Waterproof grade: JIS C 0920 Degree of protection 5  
(Jet protection type)  
[IPX5 of IEC 60529]
- \* Model number of connector kits is only registered to UL standard. (Each part number except the receptacle contact is unregistered.)
- \* In using the products, refer to "Handling Precaution for Terminals and Connectors" described on our website (Technical documents of Product information page).
- \* RoHS2 Compliance
- \* Dimensional unit: mm
- \* Contact JST for details.

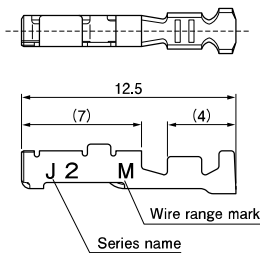
# JFA CONNECTOR J1700/2700/3700 SERIES

## Receptacle contact

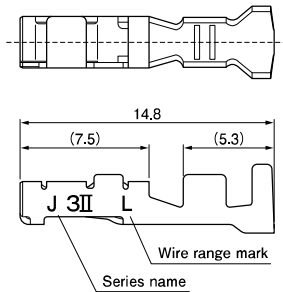
### • J1000 Series



### • J2000 Series



### • J3000 Series



Series	Strip contact Model No.	Wire range mark	Applicable wire range		Insulation O.D. (mm)	Q'ty/reel
			mm <sup>2</sup>	AWG #		
J1000	SJ1F-002GF-P0.8	S	0.08 to 0.20	28 to 24	0.88 to 1.43	6,000
	SJ1F-01GF-P0.8	M	0.20 to 0.50	24 to 20	1.11 to 1.53	6,000
J2000	SJ2F-002GF-P1.0	S	0.08 to 0.20	28 to 24	0.88 to 1.43	6,000
	SJ2F-01GF-P1.0	M	0.20 to 0.50	24 to 20	1.11 to 1.53	6,000
J3000	SJ3F-002GF-P1.8	S	0.08 to 0.20	28 to 24	0.88 to 1.43	3,500
	SJ3F-01GF-P1.8	M	0.20 to 0.50	24 to 20	1.11 to 1.86	3,500
	SJ3F-41GF-P1.8	L	0.50 to 1.25	20 to 16	1.53 to 2.50	3,000

### Material and Finish

Copper alloy (superior conductivity), nickel-undercoated, selective gold-plated

### RoHS2 compliance

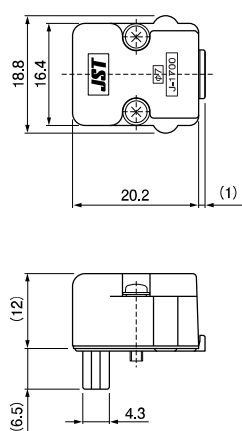
Note: Please note that the above applicable wire range may differ from the safety standards.

## Crimping machine, Applicator

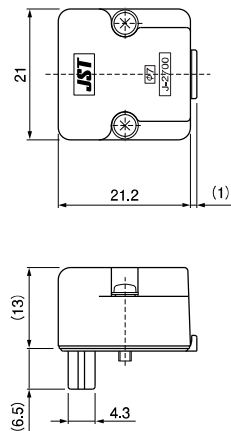
Series	Strip contact Model No.	Crimping machine	Crimp applicator	Applicator		Hand tools
				Dies	Crimp applicator with dies	
J1000	SJ1F-002GF-P0.8	AP-K2N	MKS-L	MK/SJ1F/M002-08	APLMK SJ1F/M002-08	YRS-8831
	SJ1F-01GF-P0.8			MK/SJ1F/M01-08	APLMK SJ1F/M01-08	YRS-8841
J2000	SJ2F-002GF-P1.0			MK/SF2F/M002-10	APLMK SF2F/M002-10	YRS-8851
	SJ2F-01GF-P1.0			MK/SF2F/M01-10	APLMK SF2F/M01-10	YRS-8861
J3000	SJ3F-002GF-P1.8			MK/SJ3F/M002-20	APLMK SJ3F/M002-20	YRF-882
	SJ3F-01GF-P1.8			MK/SJ3F/M01-20	APLMK SJ3F/M01-20	YRF-881
	SJ3F-41GF-P1.8	MK/SF3F/M41-20	APLMK SF3F/M41-20	YRF-880		

## Assembly layout

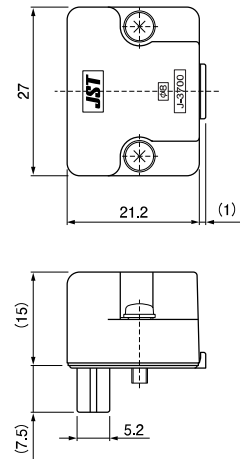
### • J1700 Series



### • J2700 Series

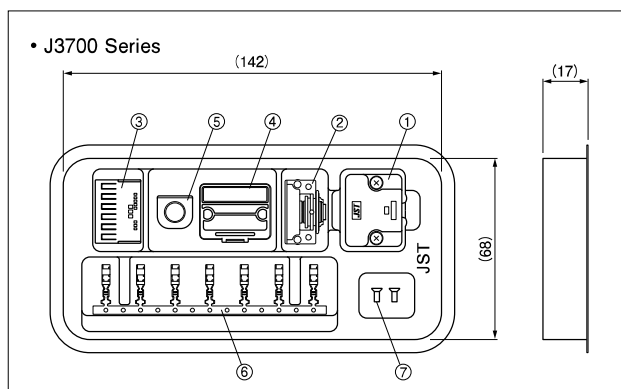
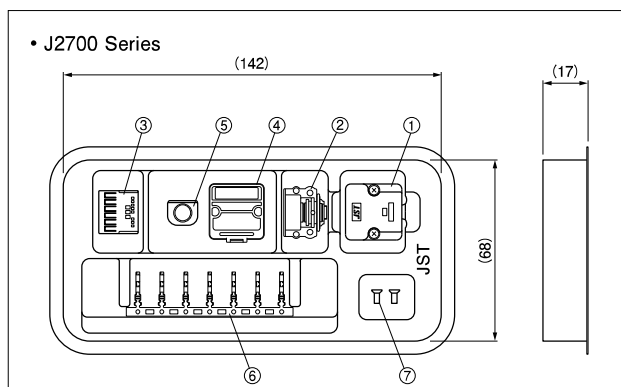
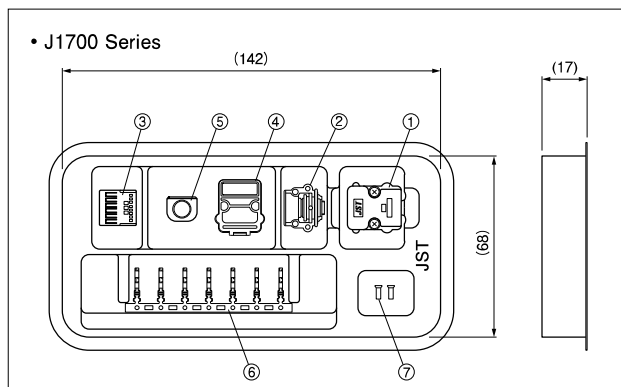


### • J3700 Series



# JFA CONNECTOR J1700/2700/3700 SERIES

## Connector kits



Connector kits Model No.	Applicable cable O.D.	Wire range mark	Q'ty/box	No.	Part Name	Q'ty
J17-06FMH-6KL-1M-CF	φ6	M	13	①	Top cover assembly	1
				②	Bottom cover assembly	1
				③	Receptacle housing	1
J17-06FMH-7KL-1M-CF	φ7	M	13	④	Seal rubber plate	1
				⑤	Seal ring	1
				⑥	Receptacle contact	7
				⑦	Flat countersunk screw	2

RoHS2 compliance This product displays (PF) on a label.

Connector kits Model No.	Applicable cable O.D.	Wire range mark	Q'ty/box	No.	Part Name	Q'ty
J27-06FMH-7KL-1M-CF	φ7	M	13	①	Top cover assembly	1
				②	Bottom cover assembly	1
				③	Receptacle housing	1
				④	Seal rubber plate	1
				⑤	Seal ring	1
				⑥	Receptacle contact	7
				⑦	Flat countersunk screw	2

RoHS2 compliance This product displays (PF) on a label.

Connector kits Model No.	Applicable cable O.D.	Wire range mark	Q'ty/box	No.	Part Name	Q'ty
J37-06FMH-8KL-1M-CF	φ8	M	13	①	Top cover assembly	1
				②	Bottom cover assembly	1
				③	Receptacle housing	1
J37-06FMH-8KL-1L-CF	φ8	L	13	④	Seal rubber plate	1
				⑤	Seal ring	1
				⑥	Receptacle contact	7
				⑦	Flat countersunk screw	2

RoHS2 compliance This product displays (PF) on a label.

## Connector parts

Components	J1700 Series				J2700 Series				J3700 Series			
	Model No.	Applicable cable O.D.	Wire range mark	Q'ty/box	Model No.	Applicable cable O.D.	Wire range mark	Q'ty/box	Model No.	Applicable cable O.D.	Wire range mark	Q'ty/box
Top cover assembly <sup>(Note3)</sup>	* J17-7TCA-KR-CF	φ7	—	180	* J27-7TCA-KR-CF	φ7	—	165	* J37-8TCA-KR-CF	φ8	—	120
Bottom cover assembly	* J17-7BCA-KR	φ7	—	504	* J27-7BCA-KR	φ7	—	462	* J37-8BCA-KR	φ8	—	315
Receptacle housing	* J1FSN-06V-K	—	—	350	* J2FSN-06V-K	—	—	300	* J3FSN-06V-K	—	—	150
Seal rubber plate	* J1SP-KN-1	—	—	350	* J2SP-KN-1	—	—	400	* J3SP-KN-1	—	—	300
Seal ring	* JSR-7KN-1	φ7	—	1,000 (bag)	* JSR-7KN-1	φ7	—	1,000 (bag)	* JSR-8KN-1	φ8	—	600 (bag)
Receptacle contact	SJ1F-002GF-P0.8	—	S	6,000 (reel)	SJ2F-002GF-P1.0	—	S	6,000 (reel)	SJ3F-002GF-P1.8	—	S	3,500 (reel)
	SJ1F-01GF-P0.8	—	M	—	SJ2F-01GF-P1.0	—	M	—	SJ3F-01GF-P1.8	—	M	—
Flat countersunk screw	* PM1.6-5KZ-CF	—	—	10,000	* PM2-5KZ-CF	—	—	6,000	* PM2-5KZ-CF	—	—	6,000

RoHS2 compliance

Note:1. \*Marked products are unlisted in UL.

2. The J1700 series (Applicable cable O.D.: φ6 product) is only available to the connector kit.

3. This product displays (PF) on a label.

# JFA CONNECTOR J1700/2700/3700 SERIES

## Model number allocation

### Receptacle contact

**S J1 F - 01 GF - P 08**

Form: S...Strip form

Series name: J1...J1000, J2...J2000, J3...J3000

Type of terminal: F...Receptacle contact

Applicable wire range: 01...AWG #24 to #20  
41...AWG #20 to #16

Surface finish: GF...Nickel-undercoated,  
0.38 μm selective gold-plated

Material: P...Copper alloy

Terminal size: 0.8...J1000, 1.0...J2000, 1.8...J3000

### Kit

**J17 - 06 FMH - 7 K L - 1 M - CF**

Series name: J17...J1700,  
J27...J2700, J37...J3700

No. of circuits: 6

Part name

Applicable cable O.D.: 6... φ6, 7... φ7, 8... φ8

Color: K...Black

Packaging form: L...Tray for kit

Supplementary symbol

Wire range mark: S...S type, M...M type, L...L type

Hexavalent chromium free

### Top cover assembly

**J17 - 7 TCA - K R - CF**

Series name:  
J17...J1700, J27...J2700, J37...J3700

Applicable cable O.D.: 7... φ7, 8... φ8

Part name

Color: K...Black

Packaging form: R...Tray

Hexavalent chromium free

### Bottom cover assembly

**J17 - 7 BCA - K R**

Series name:  
J17...J1700, J27...J2700, J37...J3700

Applicable cable O.D.: 7... φ7, 8... φ8

Part name

Color: K...Black

Packaging form: R...Tray

### Receptacle housing

**J1 F S N - 06 V - K**

Series name: J1...J1700, J2...J2700, J3...J3700

Part name

Rows: S...Single-row

Mounting arrangement: N...Non-locking type

No. of circuits: 6

Flammability: V...VL94V-0

Color: K...Black

### Seal rubber plate

**J1 SP - K N - 1**

Series name: J1...J1700, J2...J2700, J3...J3700

Part name

Color: K...Black

Material

Supplementary symbol

### Seal ring

**J SR - 7 K N - 1**

Series name

Part name

Applicable cable O.D.: 7... φ7, 8... φ8

Color: K...Black

Material

Supplementary symbol

### Flat countersunk screw

**P M1.6 - 5 K Z - CF**

Part name

Screw size: M1.6...M1.6 screw, M2...M2 screw

Screw length: 5... 5 mm

Color: K...Black

Surface finish: Z...Chromate treatment

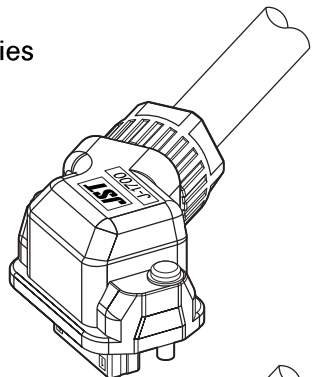
Hexavalent chromium free



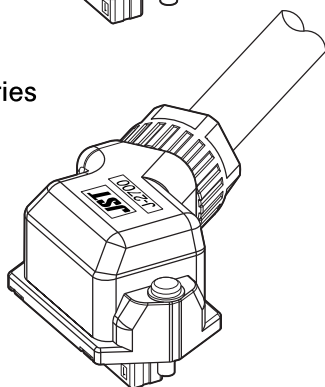
# JFA CONNECTOR J1700/2700/3700 SERIES (S TYPE)

Connector for motor (Reversed mounting arrangement product)

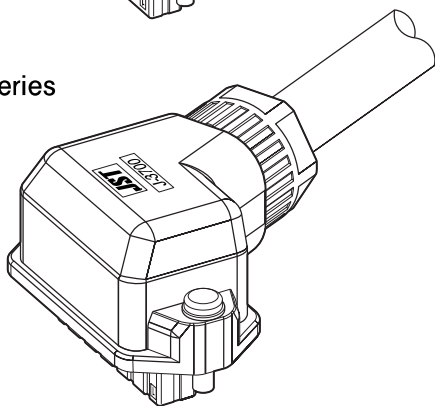
J1700 Series



J2700 Series



J3700 Series



- 6-circuit connector for power supply of servomotor
- Direction of drawing out cable can be selected at left or right.

## Standards

 : Recognized E 60389

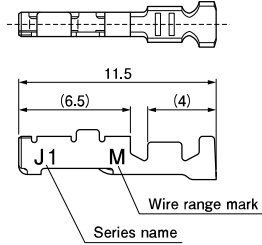
## Specifications

- Current rating:
  - 5 A AC/DC J1700 Series 2.0 mm pitch  
(When applying current to 3-circuit and using AWG #20.)
  - 7 A AC/DC J2700 Series 2.5 mm pitch  
(When applying current to 3-circuit and using AWG #20.)
  - 10 A AC/DC J3700 Series 3.8 mm pitch  
(When applying current to 3-circuit and using AWG #16.)
- Voltage rating: 250 V AC/DC
- Temperature range: -55°C to +105°C  
(including temperature rise in applying electrical current)
- Applicable cable O.D.:  $\phi 7 \pm 0.3$  mm (J1700/J2700 Series)  
 $\phi 8 \pm 0.3$  mm (J3700 Series)
- Waterproof grade: JIS C0920 Degree of protection 7  
(Waterproof type) [IPX7 of IEC 60529]
- \* Model number of connector kits is only registered to UL standard. (Each part number except the receptacle contact is unregistered.)
- \* Please note that the above general specifications may differ from the safety standards.
- \* In using the products, refer to "Handling Precaution for Terminals and Connectors" described on our website (Technical documents of Product information page).
- \* Dimensional unit: mm
- \* RoHS2 Compliance
- \* Contact JST for details.

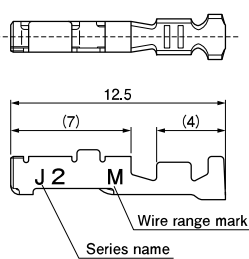
# JFA CONNECTOR J1700/2700/3700 SERIES (S TYPE)

## Receptacle contact

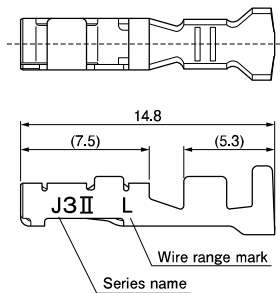
### • J1000 Series



### • J2000 Series



### • J3000 Series



Series	Strip contact Model No.	Wire range mark	Applicable wire range			Q'ty/reel
			mm <sup>2</sup>	AWG #	Insulation O.D. (mm)	
J1000	SJ1F-01GF-P0.8	M	0.20 to 0.50	24 to 20	1.11 to 1.53	6,000
J2000	SJ2F-01GF-P1.0	M	0.20 to 0.50	24 to 20	1.11 to 1.53	6,000
J3000	SJ3F-01GF-P1.8	M	0.20 to 0.50	24 to 20	1.11 to 1.86	3,500
	SJ3F-41GF-P1.8	L	0.50 to 1.25	20 to 16	1.53 to 2.50	3,000

### Material and Finish

Copper alloy (superior conductivity), nickel-undercoated, selective gold-plated

### RoHS2 compliance

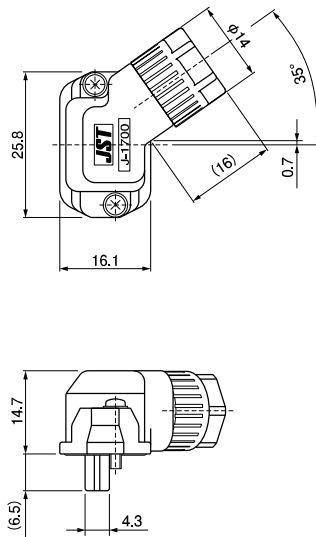
Note: Please note that the above applicable wire range may differ from the safety standards.

## Crimping machine, Applicator

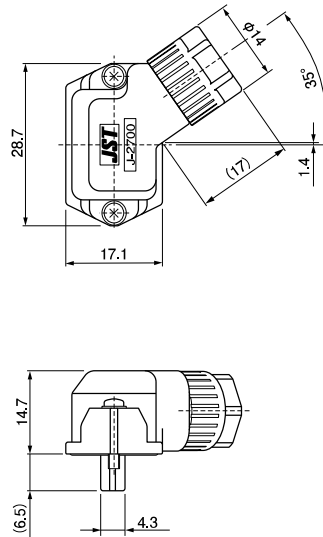
Series	Strip contact Model No.	Crimping machine	Applicator			Hand tools
			Crimp applicator	Dies	Crimp applicator with dies	
J1000	SJ1F-01GF-P0.8	AP-K2N	MKS-L	MK/SJ1F/M01-08	APLMK SJ1F/M01-08	YRS-8841
J2000	SJ2F-01GF-P1.0			MK/SJ2F/M01-10	APLMK SJ2F/M01-10	YRS-8861
J3000	SJ3F-01GF-P1.8			MK/SF3F/M01-20	APLMK SF3F/M01-20	YRF-881
	SJ3F-41GF-P1.8			MK/SF3F/M41-20	APLMK SF3F/M41-20	YRF-880

## Assembly layout

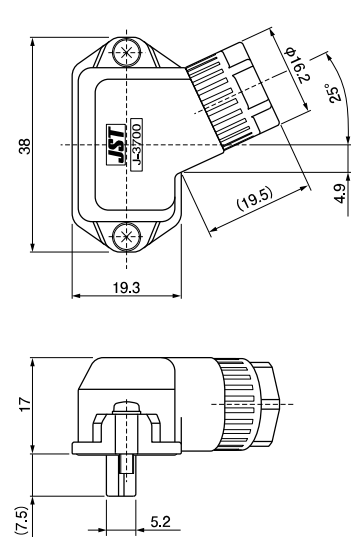
### • J1700 Series



### • J2700 Series



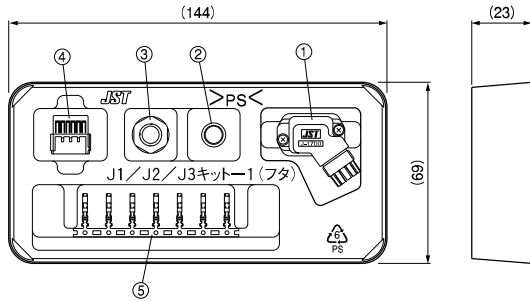
### • J3700 Series



# JFA CONNECTOR J1700/2700/3700 SERIES (S TYPE)

## Connector kits

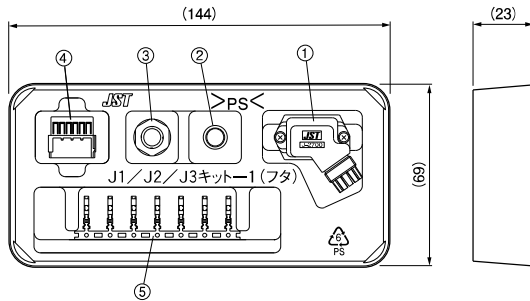
### • J1700 Series



Connector kit Model No.	Q'ty/box	No.	Part Name	Q'ty
J17S-06FMH-7KL-M-CF	10	①	Cover assembly	1
		②	Seal ring	1
		③	Clamp nut	1
		④	Receptacle housing	1
		⑤	Receptacle contact (M type)	7

RoHS2 compliance

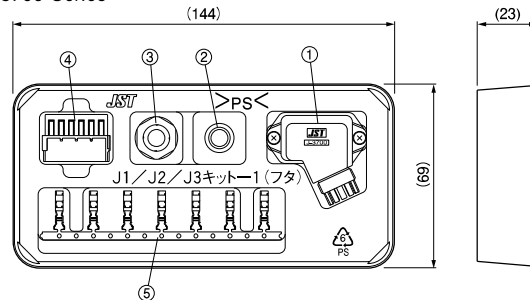
### • J2700 Series



Connector kit Model No.	Q'ty/box	No.	Part Name	Q'ty
J27S-06FMH-7KL-M-CF	10	①	Cover assembly	1
		②	Seal ring	1
		③	Clamp nut	1
		④	Receptacle housing	1
		⑤	Receptacle contact (M type)	7

RoHS2 compliance

### • J3700 Series



Connector kit Model No.	Q'ty/box	No.	Part Name	Q'ty
J37S-06FMH-8KL-L-CF	10	①	Cover assembly	1
		②	Seal ring	1
		③	Clamp nut	1
		④	Receptacle housing	1
		⑤	Receptacle contact (L type)	7

RoHS2 compliance

## Connector parts

Components	J1700 Series			J2700 Series			J3700 Series		
	Model No.	Wire range mark	Q'ty/box	Model No.	Wire range mark	Q'ty/box	Model No.	Wire range mark	Q'ty/box
Cover assembly	*J17S-COA-KR	—	45	*J27S-COA-KR	—	45	*J37S-COA-KR	—	30
Seal ring	*JSSR-7KN	—	1,000 (bag)	*JSSR-7KN	—	1,000 (bag)	*JSSR-8KN	—	500 (bag)
Clamp nut	*JSCN-M12V-K	—	800	*JSCN-M12V-K	—	800	*JSCN-M14V-K	—	600
Receptacle housing	*J1SFSN-06V-K	—	800	*J2SFSN-06V-K	—	700	*J3SFSN-06V-K	—	400
Receptacle contact	SJ1F-01GF-P0.8	M	6,000 (reel)	SJ2F-01GF-P1.0	M	6,000 (reel)	SJ3F-01GF-P1.8	M	3,500 (reel)
							SJ3F-41GF-P1.8	L	3,000 (reel)

RoHS2 compliance

Note: \*Marked products are unlisted in UL.

# JFA CONNECTOR J1700/2700/3700 SERIES (S TYPE)

## Model number allocation

### Receptacle contact

**S J1 F - 01 GF - P 08**

Form: S...Strip form  
 Series name: J1...J1000, J2...J2000, J3...J3000  
 Type of terminal: F...Receptacle contact  
 Applicable wire range: 01...AWG #24 to #20, 41...AWG #20 to #16  
 Surface finish: GF...Nickel-undercoated, 0.38μm selective gold-plated  
 Material: P...Copper alloy  
 Terminal size: 0.8...J1000, 1.0...J2000, 1.8...J3000

### Kit

**J17S - 06 FMH - 7 K L - M - CF**

Series name: J17S...J1700,  
 J27S...J2700, J37S...J3700  
 No. of circuits: 6  
 Part name  
 Applicable cable O.D.: 7...φ7, 8...φ8  
 Color: K...Black  
 Packaging form: L...Tray for kit  
 Wire range mark: M...M type, L...L type  
 Hexavalent chromium free

### Cover assembly

**J17S - COA - K R**

Series name: J17S...J1700, J27S...J2700, J37S...J3700  
 Part name  
 Color: K...Black  
 Packaging form: R...Tray

### Seal ring

**JS SR - 7 K N**

Series name  
 Part name  
 Applicable cable O.D.: 7...φ7, 8...φ8  
 Color: K...Black  
 Material

### Clamp nut

**JS CN - M12 V - K**

Series name  
 Part name  
 Screw size: M12...M12 screw, M14...M14 screw  
 Flammability: V...UL94V-0  
 Color: K...Black

### Receptacle housing

**J1S F S N - 06 V - K**

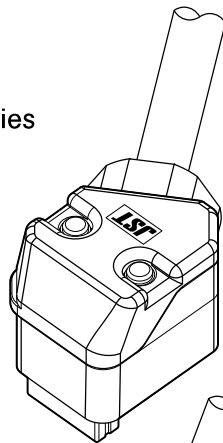
Series name: J1S...J1700, J2S...J2700, J3S...J3700  
 Part name  
 Rows: S...Single-row  
 Mounting arrangement: N...Non-locking type  
 No. of circuits: 6  
 Flammability: V...UL94V-0  
 Color: K...Black



# JFA CONNECTOR J1700M/2700M/3700M SERIES

Connector for motor (EMI shielding product)

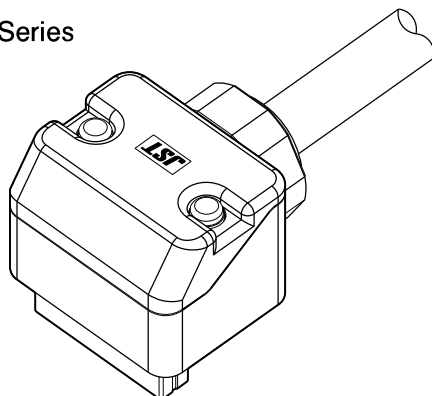
J1700M Series



J2700M Series



J3700M Series



- 6-circuit connector for power supply of servomotor
- EMI shielding product
- Tough metal cover
- Interchangeability with J1700/2700/3700 Series

## Standards

 : Recognized E 60389

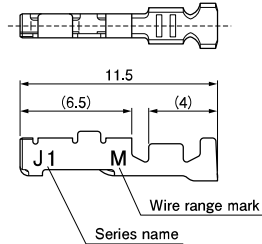
## Specifications

- Current rating:
  - 5 A AC/DC J1700M Series 2.0 mm pitch  
(Applying current to 3-circuit when AWG #20.)
  - 7 A AC/DC J2700M Series 2.5 mm pitch  
(Applying current to 3-circuit when AWG #20.)
  - 10 A AC/DC J3700M Series 3.8 mm pitch  
(Applying current to 3-circuit when AWG #16.)
- Voltage rating: 250 V AC/DC
- Temperature range: -55°C to +105°C  
(including temperature rise in applying electrical current)
- Applicable cable O.D.:  $\phi 7 \pm 0.3$  mm (J1700M/J2700M Series)  
 $\phi 8 \pm 0.3$  mm (J3700M Series)
- Waterproof grade: JIS C0920 Degree of protection 7  
(Waterproof type) [IPX7 of IEC 60529]
- \* Please note that the above general specifications may differ from the safety standards.
- \* In using the products, refer to "Handling Precaution for Terminals and Connectors" described on our website (Technical documents of Product information page).
- \* Dimensional unit: mm
- \* RoHS2 Compliance
- \* Contact JST for details.

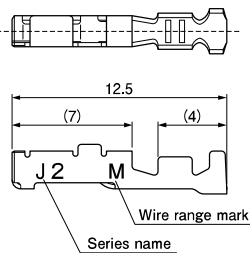
# JFA CONNECTOR J1700M/2700M/3700M SERIES

## Receptacle contact

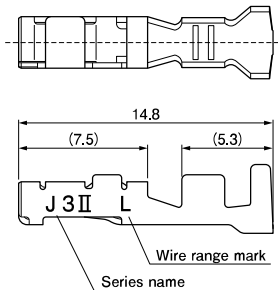
### • J1000 Series



### • J2000 Series



### • J3000 Series



Series	Strip contact Model No.	Wire range mark	Applicable wire range			Q'ty/reel
			mm <sup>2</sup>	AWG #	Insulation O.D. (mm)	
J1000	SJ1F-01GF-P0.8	M	0.20 to 0.50	24 to 20	1.11 to 1.53	6,000
J2000	SJ2F-01GF-P1.0	M	0.20 to 0.50	24 to 20	1.11 to 1.53	6,000
J3000	SJ3F-01GF-P1.8	M	0.20 to 0.50	24 to 20	1.11 to 1.86	3,500
	SJ3F-41GF-P1.8	L	0.50 to 1.25	20 to 16	1.53 to 2.50	3,000

### Material and Finish

Copper alloy (superior conductivity), nickel-undercoated, selective gold-plated

### RoHS2 compliance

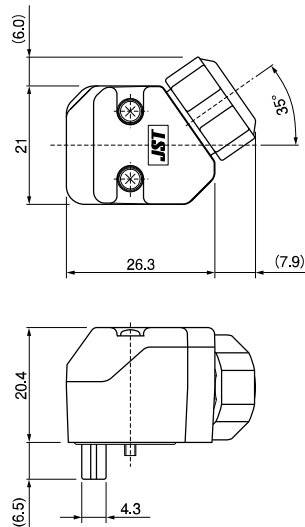
Note: Please note that the above applicable wire range may differ from the safety standards.

## Crimping machine, Applicator

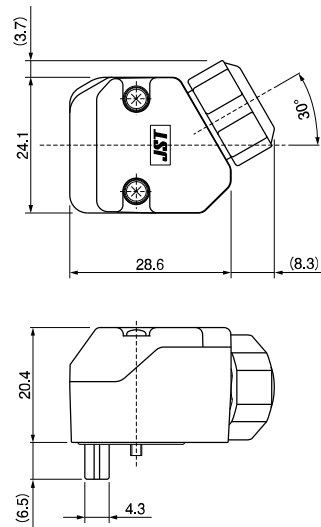
Series	Strip contact Model No.	Crimping machine	Applicator		Hand tools	
			Crimp applicator	Dies		
J1000	SJ1F-01GF-P0.8	AP-K2N	MKS-L	MK/SJ1F/M01-08	APLMK SJ1F/M01-08	YRS-8841
J2000	SJ2F-01GF-P1.0			MK/SJ2F/M01-10	APLMK SJ2F/M01-10	YRS-8861
J3000	SJ3F-01GF-P1.8			MK/SF3F/M01-20	APLMK SF3F/M01-20	YRF-881
	SJ3F-41GF-P1.8			MK/SF3F/M41-20	APLMK SF3F/M41-20	YRF-880

## Assembly layout

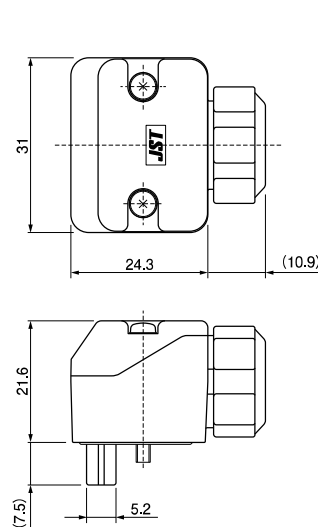
### • J1700M Series



### • J2700M Series

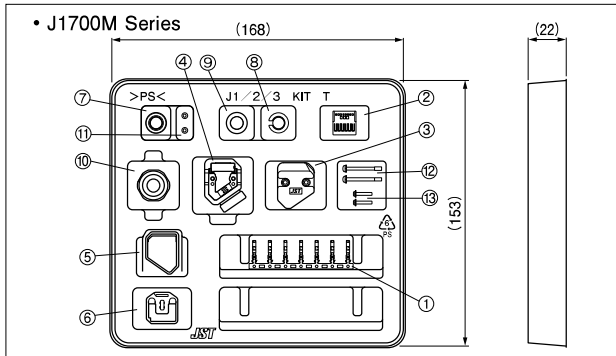


### • J3700M Series



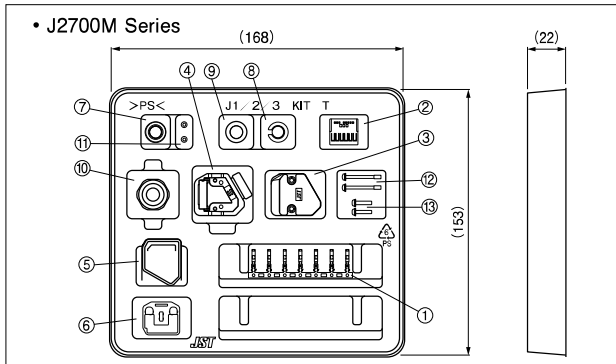
# JFA CONNECTOR J1700M/2700M/3700M SERIES

## Connector kits



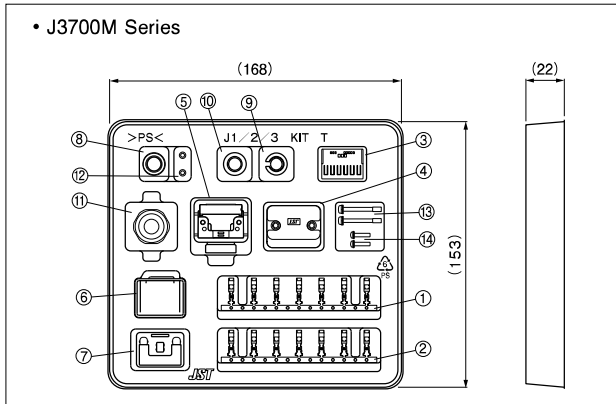
Connector kit Model No.	Q'ty/box	No.	Part Name	Q'ty
J17M-06FMH-7KL-M	12	①	Receptacle contact (M type)	7
		②	Receptacle housing	1
		③	Top cover	1
		④	Bottom cover	1
		⑤	Cover seal	1
		⑥	Seal rubber plate	1
		⑦	Seal ring	1
		⑧	Clamp ring	1
		⑨	Ring	1
		⑩	Clamp nut	1
		⑪	O ring	2
		⑫	M2X21 sems screw	2
		⑬	M1.6X10 sems screw	2

RoHS2 compliance This product displays (PF) on a label.



Connector kit Model No.	Q'ty/box	No.	Part Name	Q'ty
J27M-06FMH-7KL-M	12	①	Receptacle contact (M type)	7
		②	Receptacle housing	1
		③	Top cover	1
		④	Bottom cover	1
		⑤	Cover seal	1
		⑥	Seal rubber plate	1
		⑦	Seal ring	1
		⑧	Clamp ring	1
		⑨	Ring	1
		⑩	Clamp nut	1
		⑪	O ring	2
		⑫	M2X21 sems screw	2
		⑬	M2X10 sems screw	2

RoHS2 compliance This product displays (PF) on a label.



Connector kit Model No.	Q'ty/box	No.	Part Name	Q'ty
J37M-06FMH-8KL-ML	12	①	Receptacle contact (M type)	7
		②	Receptacle contact (L type)	7
		③	Receptacle housing	1
		④	Top cover	1
		⑤	Bottom cover	1
		⑥	Cover seal	1
		⑦	Seal rubber plate	1
		⑧	Seal ring	1
		⑨	Clamp ring	1
		⑩	Ring	1
		⑪	Clamp nut	1
		⑫	O ring	2
		⑬	M2.5X23 sems screw	2
		⑭	M2X10 sems screw	2

RoHS2 compliance This product displays (PF) on a label.

Note: M and L types of receptacle contact are the same packing specification.

## Model number allocation

### Receptacle contact

**S J1 F - 01 GF - P 08**

Form: S...Strip form

Series name: J1...J1000, J2...J2000, J3...J3000

Type of terminal: F...Receptacle contact

Applicable wire range: 01...AWG #24 to #20  
41...AWG #20 to #16

Surface finish: GF...Nickel-undercoated,  
0,38 μm selective gold-plated

Material: P...Copper alloy

Terminal size: 0.8...J1000, 1.0...J2000, 1.8...J3000

### Kit

**J17M - 06 FMH - 7 K L - M**

Series name:  
J17M...J1700M, J27M...J2700M, J37M...J3700M

No. of circuits: 6

Part name

Applicable cable O.D.: 7...φ7, 8...φ8

Color: K...Black

Packaging form: L...Tray for kit

Wire range mark: M...M type, ML...M, L types (Same packing spec.)

## Alphabetical Part Number Index

Part Number	Page(s)	Part Number	Page(s)	Part Number	Page(s)	Part Number	Page(s)	Part Number	Page(s)	Part Number	Page(s)	Part Number	Page(s)
02MJFAT-SAGF	116	B04B-F31SK-GGXR	50	B08B-J18SK-TXR	10	BC03B-J42SK-GHXR	94	F31FMS-06V-KXY	55	F31MSP-08V-KY	49	F32MSF-03V-KY	58
03JFAT-SAFGDK-P15	141	B04B-F31SK-GGYR	50	B08B-J21DK-GGXR	20	BC03B-J42SK-GHYR	94	F31FMS-06V-KYY	55	F31MSP-10V-KX	49	F32MSF-04V-KX	58
03JFAT-SAXGDK-KT10	134	B04B-F32SK-GGXR	60, 125	B08B-J21DK-GGYR	20	BC06B-J42SK-GHXR	94	F31FSS-03V-KX	48	F31MSP-10V-KY	49	F32MSF-04V-KY	58
03JFAT-SAXGDK-P15	141	B04B-F32SK-GGYR	60, 125	B10B-F31DK-GGR	53	BC06B-J42SK-GHYR	94	F31FSS-03V-KY	48	F31PFD-20SC	87	F32MSP-01V-KX	59
03JFAT-SAXGFK-43	136	B04B-J21SK-GGXR	20	B10B-F31SK-GGXR	50	BC12B-F35DK-GGR	74, 81	F31FSS-04V-KX	48	F31PFD-20VK	87	F32MSP-01V-KY	59
03JFAT-SAXGFK-XL	138	B04B-J21SK-GGYR	20	B10B-F31SK-GGYR	50	BC20B-F35DK-GGR	74, 81	F31FSS-04V-KY	48	F31PFS-10KU	87	F32MSP-02V-KX	59
03JFAT-SAXGGKK-A	124	B04B-JPF3SK-GKVR	89	B10B-F32MK-GGXXR	64, 127	BF3F-002GF-P2.0	46, 89, 101, 146	F31FSS-05V-KX	48	F32FMS-06V-KXX	63, 67	F32MSP-02V-KY	59
03JFAT-SAYGDK-KT10	134	B04B-JPF3SK-GKWR	89	B10B-F32MK-GGXYR	64, 127	BF3F-002GI-P2.0	46, 89, 101, 146	F31FSS-05V-KY	48	F32FMS-06V-KXY	63, 67	F32MSP-03V-KX	59
03JFAT-SAYGDK-P15	141	B04B-JPF3SK-GKXR	89	B10B-F32MK-GGYR	64, 127	BF3F-01GF-P2.0	46, 89, 101, 146	F31FSS-06V-KX	48	F32FMS-06V-KYY	63, 67	F32MSP-03V-KY	59
03JFAT-SAYGFS-XL	138	B04B-JPF3SK-GKYR	89	B10B-J21DK-GGXR	20	BF3F-01GI-P2.0	46, 89, 101, 146	F31FSS-06V-KY	48	F32FMS-10V-KXX	63	F32MSP-04V-KX	59
03JFAT-SAYGGKK-A	124	B05B-F31SK-GGXR	50	B10B-J21DK-GGYR	20	BF3F-01T-P2.0	46, 89, 101, 146	F31FSS-08V-KX	48	F32FMS-10V-KXY	63	F32MSP-04V-KY	59
03JFAT-SAZGDK-P15	141	B05B-F31SK-GGYR	50	B10B-JPF3SK-GKXXR	90	BF3F-71GF-P2.0	46, 89, 101, 146	F31FSS-08V-KY	48	F32FMS-10V-KYY	63	F32MSPL-04V-KX	59
03JFAT-SBXGGKS-A	124	B05B-F32SK-GGXR	60, 125	B10B-JPF3SK-GKXYR	90	BF3F-71GI-P2.0	46, 89, 101, 146	F31FSS-10V-KX	48	F32FMS-12V-KXX	63	F33FRTPA-30V-EZ	69
03JFAT-SBYGGKS-A	124	B05B-F32SK-GGYR	60, 125	B10B-JPF3SK-GKYR	90	BF3F-71T-P2.0	46, 89, 101, 146	F31FSS-10V-KY	48	F32FMS-12V-KXY	63	F33FRTPA-30V-KX	69
04JFAT-SAGG-G-KK	132	B05B-JPF3SK-GKVR	89	B10B-JPF3SK-GKYR	90	BF3M-002GF-M2.0N	46, 147	F31MDF-06V-K	51	F32FMS-12V-KYY	63	F33FRTPA-30V-SY	69
04JFAT-SBXGGKS-A	124	B05B-JPF3SK-GKWR	89	B12B-F31DK-GGR	53	BF3M-002GI-M2.0N	46, 147	F31MDF-08V-K	51	F32FMS-20V-KXX	63	F33FRTPA-40V-EZ	69
04JFAT-SBYGGKS-A	124	B05B-JPF3SK-GKXR	89	B12B-F32MK-GGXXR	64, 127	BF3M-01GF-M2.0N	46, 147	F31MDF-10V-K	51	F32FSS-01V-KX	58	F33FRTPA-40V-KX	69
05JFAT-SAXGDK-H5.0	121	B05B-JPF3SK-GKYR	89	B12B-F32MK-GGXYR	64, 127	BF3M-01GI-M2.0N	46, 147	F31MDF-12V-K	51	F32FSS-01V-KY	58	F33FRTPA-40V-MW	69
05JFAT-SAXGFK-XL	138	B06B-F31DK-GGR	53	B12B-F32MK-GGYR	64, 127	BF3M-01T-M2.0N	46, 147	F31MDF-16V-K	51	F32FSS-02V-KX	58	F33FRTPA-40V-SY	69
05JFAT-SAXGGKK-A	124	B06B-F31MK-GGXXR	55	B12B-J11DK-GWXR	9	BF3M-71GF-M2.0N	46, 147	F31MDF-20V-K	51	F32FSS-02V-KY	58	F33MRTS-30V-EZ	69
05JFAT-SAYGFS-XL	138	B06B-F31MK-GGXYR	55	B12B-J11DK-GWYR	9	BF3M-71GI-M2.0N	46, 147	F31MDP-06V-K	52	F32FSS-03V-KX	58, 67	F33MRTS-30V-KX	69
05JFAT-SAYGGKK-A	124	B06B-F31MK-GGYR	55	B12B-J11DK-TXR	9	BJ2F-21GF-P1.0	15	F31MDP-08V-K	52	F32FSS-03V-KY	58, 67	F33MRTS-30V-SY	69
05JFAT-SBXGGKS-A	124	B06B-F31SK-GGXR	50	B12B-J11DK-TYR	9	BJ2F-21GI-P1.0	15	F31MDP-10V-K	52	F32FSS-04V-KX	58	F33MRTS-40V-EZ	69
05JFAT-SBYGGKS-A	124	B06B-F31SK-GGYR	50	B12B-J21DK-GGXR	20	BJ2M-21GF-M1.0N	15	F31MDP-12V-K	52	F32FSS-04V-KY	58	F33MRTS-40V-KX	69
06JFAT-SAXGDK-K5.0	119	B06B-F32MK-GGXXR	64, 127	B12B-J21DK-GGYR	20	BJ2M-21GF-M1.0S	15	F31MDP-16V-K	52	F32FSS-05V-KX	58	F33MRTS-40V-MW	69
06JFAT-SAXGFK-XL	138	B06B-F32MK-GGXYR	64, 127, 130	B12B-J25DK-GGR	29, 36	BJ2M-21GI-M1.0N	15	F31MDP-20V-K	52	F32FSS-05V-KY	58	F33MRTS-40V-SY	69
06JFAT-SAXGGKK-A	124	B06B-F32MK-GGYR	64, 127	B16B-F31DK-GGR	53	BJ2M-21GI-M1.0S	15	F31MDPL-06V-K	52	F32FSS-06V-KX	58	F34FFC-12V-K	70
06JFAT-SAXYGGF-KK	129	B06B-F32SK-GGXR	60, 125	B16B-J21DK-GGXR	20	BJ4F-71GF-M3.0	93, 146	F31MDPL-12V-K	52	F32FSS-06V-KY	58	F34FFC-20V-K	70
06JFAT-SAYGFS-XL	138	B06B-F32SK-GGYR	60, 125	B16B-J21DK-GGYR	20	BJ4F-81GF-M3.0	93, 146	F31MDPL-20V-K	52	F32MDF-06V-KXX	63	F34PFF-20SCA	87
06JFAT-SAYGGKK-A	124	B06B-J11DK-GWXR	9	B20B-F31DK-GGR	53	BJ5F-71GF-M6.5	106	F31MSF-03V-KX	49	F32MDF-06V-KXY	63	F34PFF-20SCB	87
06JFAT-SBXGGKS-A	124	B06B-J11DK-GWYR	9	B20B-J11DK-GWXR	9	BJ5F-71GI-M6.5	106	F31MSF-03V-KY	49	F32MDF-06V-KYY	63	F34PFF-20VKA	87
06JFAT-SBYGGKS-A	124	B06B-J11DK-TXR	9	B20B-J11DK-GWYR	9	BJ5M-71GF-M6.5	106	F31MSF-04V-KX	49	F32MDF-12V-KXX	63	F34PFF-20VKB	87
07JFAT-SAXGFK-XL	138	B06B-J11DK-TYR	9	B20B-J11DK-TXR	9	BJ5M-71GI-M6.5	106	F31MSF-04V-KY	49	F32MDF-12V-KXY	63	F35FDC-00(2-A1D)V-EC	79
09JFAT-SAXGDK-H5.0	121	B06B-J21DK-GGXR	20	B20B-J11DK-TYR	9	BVF-61T-P2.0	146	F31MSF-05V-KX	49	F32MDF-12V-KYY	63	F35FDC-02V-K	72, 79
B02B-F32SK-GGXR	60	B06B-J21DK-GGYR	20	B20B-J21DK-GGXR	20	BVF-81T-P2.0	146	F31MSF-05V-KY	49	F32MDP-06V-KXX	63	F35FDC-04V-K	72, 79
B02B-F32SK-GGYR	60	B06B-JPF3SK-GKXXR	90	B20B-J21DK-GGYR	20	BVM-61T-P2.0	147	F31MSF-08V-KX	49	F32MDP-06V-KXY	63	F35FDC-06V-K	72, 79
B03B-F31SK-GGXR	50	B06B-JPF3SK-GKXYR	90	B20B-J25DK-GGR	29, 36	BVM-81T-P2.0	147	F31MSF-08V-KY	49	F32MDP-06V-KYY	63	F35FDC-10V-K	72, 79
B03B-F31SK-GGYR	50	B06B-JPF3SK-GKYR	90	B22B-J11DK-GWXR	9	CT-JFAJ2	16	F31MSF-10V-KX	49	F32MDP-12V-KXX	63	F35MDF-12V-K	73, 80
B03B-F32SK-GGXR	60, 125	B06B-JPF3SK-GKYR	90	B22B-J11DK-GWYR	9	CT-JFAJ3A	47	F31MSF-10V-KY	49	F32MDP-12V-KXY	63	F35MDF-12V-K	73, 80
B03B-F32SK-GGYR	60, 125	B08B-F31DK-GGR	53	B26B-J11DK-GWXR	9	F31FDS-06V-K	51	F31MSP-03V-KX	49	F32MDP-12V-KYY	63	F36FTC-03V-K	83
B03B-J11SK-GWXR	7	B08B-F31SK-GGXR	50	B26B-J11DK-GWYR	9	F31FDS-08V-K	51	F31MSP-03V-KY	49	F32MDP-20V-KXX	63	F36FTC-09V-K	83
B03B-J11SK-GWYR	7	B08B-F31SK-GGYR	50	B30B-J11DK-GWXR	9	F31FDS-10V-K	51	F31MSP-04V-KX	49	F32MSF-01V-KX	58	F36FTC-18V-K	83
B03B-J11SK-TXR	7	B08B-J11DK-GWXR	9	B30B-J11DK-GWYR	9	F31FDS-12V-K	51	F31MSP-04V-KY	49	F32MSF-01V-KY	58	F36FTC-21(24-C8T)V-KC	83
B03B-J11SK-TYR	7	B08B-J11DK-GWYR	9	B40B-F38DK-GGER	77	F31FDS-16V-K	51	F31MSP-05V-KX	49	F32MSF-02V-KX	58	F36FTC-24V-K	83
B03B-J21SK-GGXR	20	B08B-J11DK-TXR	9	BC02B-J42SK-GHXR	94	F31FDS-20V-K	51	F31MSP-05V-KY	49	F32MSF-02V-KY	58	F38FDS-20V-KE	76
B03B-J21SK-GGYR	20	B08B-J11DK-TYR	9	BC02B-J42SK-GHYR	94	F31FMS-06V-KXX	55	F31MSP-08V-KX	49	F32MSF-03V-KX	58	F38FDS-40V-KE	76

## Alphabetical Part Number Index

<b>Part Number</b>	<b>Page(s)</b>	<b>Part Number</b>	<b>Page(s)</b>	<b>Part Number</b>	<b>Page(s)</b>	<b>Part Number</b>	<b>Page(s)</b>	<b>Part Number</b>	<b>Page(s)</b>	<b>Part Number</b>	<b>Page(s)</b>
FB3FDS-20V-KXA	101	J11SF-03V-KX	7	J21SF-10V-KX-L	18	J28SF-04V-KX	30	J53MDR-04V-KX	110	JFM-WSA-4-A	164
FB3FDS-20V-SYA	101	J11SF-03V-KY	7	J21SF-10V-KY-L	18	J28SFM-04V-KX	31	J53MDR-04V-KY	110	JFM-WSA-4-C	164
FV3FTS-18V-EZ	149	J11SFM-03V-KX	7	J21SF-12V-KX-L	18	J28SPM-04V-KX	31	J53MDR-04V-KZ	110	JPF3FMS-06V-KXX	90
FV3FTS-18V-KX	149	J17-06FMH-6KL-1M-CF	169	J21SF-12V-KY-L	18	J29FA-20-H-1	157	J5FM-04V-KXX	108	JPF3FMS-06V-KXY	90
FV3FTS-18V-MW	149	J17-06FMH-7KL-1M-CF	169	J21SF-16V-KX-L	18	J29FA-20-K	157	J5FM-04V-KXY	108	JPF3FMS-06V-KYX	90
FV3FTS-18V-SY	149	J17M-06FMH-7KL-M	177	J21SF-16V-KY-L	18	J29MA-20-H-1	158	J5FM-04V-KYY	108	JPF3FMS-06V-KYY	90
FV3MTS-18V-EZ	149	J17S-06FMH-7KL-M-CF	173	J21SF-20V-KX-L	18	J29MA-20-K	158	J5FM-06V-KXX	108	JPF3FMS-10V-KXX	90
FV3MTS-18V-KX	149	J18SF-08V-KX	10	J21SF-20V-KY-L	18	J29PK-K	159	J5FM-06V-KXY	108	JPF3FMS-10V-KXY	90
FV3MTS-18V-MW	149	J21DFM-16V-KX	19	J21SPM-03V-KX	19	J29WK-K-1	159	J5FM-06V-KYY	108	JPF3FMS-10V-KYX	90
FV3MTS-18V-SY	149	J21DFM-16V-KY	19	J21SPM-03V-KY	19	J29WK-K-A	159	J5FM-10V-KXX	108	JPF3FMS-10V-KYY	90
FV4FTPL-13V-KX-M4	150	J21DPM-06V-KX	19	J21SPM-04V-KX	19	J2KF-VE-Z	25	J5FM-10V-KYY	108	JPF3FSS-04V-KV	89
FV4FTS-13V-EZ	150	J21DPM-06V-KY	19	J21SPM-04V-KY	19	J2KF-VR-X	25	J5FS-02V-KX	108	JPF3FSS-04V-KW	89
FV4FTS-13V-KX	150	J21DPM-08V-KX	19	J22DF-10V-KX	23	J2KF-VY-Y	25	J5FS-02V-KY	108	JPF3FSS-04V-KX	89
FV4FTS-13V-MW	150	J21DPM-08V-KY	19	J22DF-10V-KY	23	J2KM-VE-Z	25	J5FS-03V-KX	108	JPF3FSS-04V-KY	89
FV4FTS-13V-RV	150	J21DPM-10V-KX	19	J22PF-10VK	42	J2KM-VR-X	25	J5FS-03V-KY	108	JPF3FSS-05V-KV	89
FV4FTS-13V-SY	150	J21DPM-10V-KY	19	J23CF-03V-KS1	33	J2KM-VY-Y	25	J5KP-VS	107	JPF3FSS-05V-KW	89
FV4MTS-13V-EZ	150	J21DPM-12V-KX	19	J23CF-03V-KS2	33	J2KP-VY	16	J5MMP-04V-KXX	109	JPF3FSS-05V-KX	89
FV4MTS-13V-KX	150	J21DPM-12V-KY	19	J23CF-03V-KS3	33	J2KP-VY-A	16	J5MMP-04V-KXY	109	JPF3FSS-05V-KY	89
FV4MTS-13V-MW	150	J21DPM-16V-KX	19	J23CF-03V-KS4	33	J37-06FMH-8KL-1L-CF	169	J5MMP-04V-KYY	109	L3.5-R4	159
FV4MTS-13V-RV	150	J21DPM-16V-KY	19	J23CF-03V-KS5	33	J37-06FMH-8KL-1M-CF	169	J5MMP-06V-KXX	109	LF3F-41GF-P2.0	46, 89, 101, 146
FV4MTS-13V-SY	150	J21DPM-20V-KX	19	J23CF-03V-KS6	33	J37M-06FMH-8KL-ML	177	J5MMP-06V-KXY	109	LF3F-41GI-P2.0	46, 89, 101, 146
FVFP-05V-K	145	J21DPM-20V-KY	19	J23CF-03V-KS7	33	J37S-06FMH-8KL-L-CF	173	J5MMP-06V-KYY	109	LF3F-41T-P2.0	46, 89, 101, 146
FVLFDS-10V-S	151	J21PF-06SCA	41	J23CF-03V-KS8	33	J3KF-VE-Z	75	J5MMP-10V-KXX	109	LF3M-41GF-M2.0N	46, 147
FVLLS-05V-S	151	J21PF-06SCB	41	J23DF-03V-KS11	24	J3KF-VR-X	75	J5MMP-10V-KYY	109	LF3M-41GI-M2.0N	46, 147
FVLMDS-10V-S	151	J21PF-08SCA	41	J23DF-03V-KS12	24	J3KF-VS-W	75	J5MSP-02V-KX	109	LF3M-41T-M2.0N	46, 147
J11DF-06V-KX	8	J21PF-08SCB	41	J23DF-03V-KS13	24	J3KF-VY-Y	75	J5MSP-02V-KY	109	LJ5F-81GF-M6.5	106
J11DF-06V-KY	8	J21PF-10SCA	42	J23DF-03V-KS14	24	J3KM-VE-Z	75	J5MSP-03V-KX	109	LJ5F-81GI-M6.5	106
J11DF-08V-KX	8	J21PF-10SCB	42	J23DF-03V-KS15	24	J3KM-VR-X	75	J5MSP-03V-KY	109	LJ5F-91GF-M6.5	106
J11DF-08V-KY	8	J21PF-10VKA	42	J23DF-03V-KS16	24	J3KM-VS-W	75	J-FAT-OT(N)	119, 121, 124, 129, 132, 134	LJ5F-91GI-M6.5	106
J11DF-12V-KX	8	J21PF-10VKB	42	J23DF-03V-KS17	24	J3KM-VY-Y	75	J-FAT-OT-P	141	LJ5M-81GF-M6.5	106
J11DF-12V-KY	8	J21PF-16SCA	42	J23DF-03V-KS18	24	J3KP-VS	47	J-FAT-OT-XL	136, 138	LJ5M-81GI-M6.5	106
J11DF-20V-KX	8	J21PF-16SCB	42	J23DF-03V-KS21	24	J42FSC-02V-KX	94	JFM2FDN-22V-K	163	LJ5M-91GF-M6.5	106
J11DF-20V-KY	8	J21PF-16VKA	42	J23DF-03V-KS22	24	J42FSC-02V-KY	94	JFM2MDN-22V-K	163	LJ5M-91GI-M6.5	106
J11DF-22V-KX	8	J21PF-16VKB	42	J24DFC-40V-KE	26	J42FSC-03V-KX	94	JFM3FMN-12V-K	163	MJFAT-OT	116
J11DF-22V-KY	8	J21PF-20SCA	42	J24DFS-40V-KE	26	J42FSC-03V-KY	94	JFM3MMN-12V-K	163	P09B-F36TK-GFAR	84
J11DF-26V-KX	8	J21PF-20SCB	42	J25DPM-12V-K	29, 35	J42FSC-06V-KX	94	JFM-GPAK-2	165	P09B-F36TK-GFR	84
J11DF-26V-KY	8	J21PF-20VKA	42	J25DPM-20V-K	29, 35	J42FSC-06V-KY	94	JFM-GPAK-3	165	P12B-F35DK-GFAR	80
J11DF-30V-KX	8	J21PF-20VKB	42	J25MF-00(2-A1D)V-EC	35	J42PF-02SCA	98	JFM-GPAK-4	165	P18B-F36TK-GFAR	84
J11DF-30V-KY	8	J21SF-03V-KX-L	18	J25MF-02V-K	28	J42PF-02SCB	98	JFM-GPBK-3	166	P18B-F36TK-GFR	84
J11DFM-06V-KX	8	J21SF-03V-KY-L	18	J25MF-04V-K	28	J43FSS-03V-KX	96	JFM-GPBK-4	166	P18B-J25TK-GFR	38
J11DFM-06V-KY	8	J21SF-04V-KX-L	18	J25MF-06V-K	28	J43FSS-03V-KY	96	JFM-PSA-2	164	P24B-F36TK-GFAR	84
J11DFM-08V-KX	8	J21SF-04V-KY-L	18	J25MF-10V-K	28	J43FSS-04V-KX	96	JFM-PSA-3	164	P28B-J23DK-GGNR	33
J11DFM-12V-KX	8	J21SF-06V-KX-L	18	J25TF-03V-K	38	J43FSS-04V-KY	96	JFM-PSA-4	164	P60B-FB3DK-GFXAR	102
J11DFM-20V-KX	8	J21SF-06V-KY-L	18	J27-06FMH-7KL-1M-CF	169	J53FDRP-04V-KX	110	JFM-WSA-2-1	164	P60B-FB3DS-GFYAR	102
J11DFM-26V-KX	8	J21SF-08V-KX-L	18	J27M-06FMH-7KL-M	177	J53FDRP-04V-KY	110	JFM-WSA-3-B	164	S02B-F32SK-GGXR	60
J11DFM-26V-KY	8	J21SF-08V-KY-L	18	J27S-06FMH-7KL-M-CF	173	J53FDRP-04V-KZ	110	JFM-WSA-3-C	164	S02B-F32SK-GGYR	60

## Alphabetical Part Number Index

<b>Part Number</b>	<b>Page(s)</b>	<b>Part Number</b>	<b>Page(s)</b>	<b>Part Number</b>	<b>Page(s)</b>	<b>Part Number</b>	<b>Page(s)</b>	<b>Part Number</b>	<b>Page(s)</b>
S02B-J25SK-GGR	117	S06B-J21DK-GGXR	22	S20B-F38DK-GGER	77	SF3F-71T-P2.0	46, 89, 101, 146	SJ5M-81GI-M6.5	106
S03B-F31SK-GGXR	50	S06B-J21DK-GGYR	22	S20B-J11DK-GWXR	9	SF3M-002GF-M2.0N	46, 147	SJ5M-91GF-M6.5	106
S03B-F31SK-GGYR	50	S06B-JTSLSK-GSANXR	139	S20B-J11DK-GWYR	9	SF3M-002GI-M2.0N	46, 147	SJ5M-91GI-M6.5	106
S03B-F32SK-GGXR	60, 125	S06B-JTSLSS-GSANYR	139	S20B-J11DK-TXR	9	SF3M-01GF-M2.0N	46, 147	SR02B-J25SK-GGR	117
S03B-F32SK-GGYR	60, 125	S07B-JTSLSK-GSANXR	139	S20B-J11DK-TYR	9	SF3M-01GI-M2.0N	46, 147	SR03B-JTSLSK-GSANXR	139
S03B-J11SK-GWXR	7	S08B-F31DK-GGR	53	S20B-J21DK-GGXR	22	SF3M-01T-M2.0N	46, 147	SR03B-JTSLSS-GSANYR	139
S03B-J11SK-GWYR	7	S08B-F31SK-GGXR	50	S20B-J21DK-GGYR	22	SF3M-41GF-M2.0N	46, 147	SR05B-F32SK-GGXR	61, 126
S03B-J11SK-TXR	7	S08B-F31SK-GGYR	50	S20B-J25DK-GGR	29, 36	SF3M-41GI-M2.0N	46, 147	SR05B-JTSLSK-GSANXR	139
S03B-J11SK-TYR	7	S08B-F32MK-GGXJR	64	S30B-J11DK-GWXR	9	SF3M-41T-M2.0N	46, 147	SR05B-JTSLSS-GSANYR	139
S03B-J21SK-GGXR	21	S08B-J11DK-GWXR	9	S40B-F38DK-GGER	77	SF3M-71GF-M2.0N	46, 147	SR06B-F32SK-GGXR	61, 126
S03B-J21SK-GGYR	21	S08B-J11DK-GWYR	9	S40B-J24DK-GGER	27	SF3M-71GI-M2.0N	46, 147	SVF-61T-P2.0	146
S03B-J23DK-GGXR	24	S08B-J11DK-TXR	9	SC02B-J42SK-GHXPR	95	SF3M-71T-M2.0N	46, 147	SVF-81T-P2.0	146
S03B-J43SK-GHXR	96, 136	S08B-J11DK-TYR	9	SC02B-J42SK-GHXR	95	SJ1F-002GF-P0.8	168	SVM-61T-P2.0	147
S03B-J43SK-GHYR	96	S08B-J18SK-TXR	10	SC02B-J42SK-GHYPR	95	SJ1F-01GF-P0.8	168, 172, 176	SVM-81T-P2.0	147
S03B-JTSLSK-GSANXR	139	S08B-J21DK-GGXR	22	SC02B-J42SK-GHYR	95	SJ2F-002GF-P1.0	15, 168		
S03B-JTSLSS-GSANYR	139	S08B-J21DK-GGYR	22	SC03B-JTSKT10SK-GEXKR	134	SJ2F-002GI-P1.0	15		
S04B-F31SK-GGXR	50	S09B-F32TK-GGXAR	67	SC03B-JTSKT10SK-GEYKR	134	SJ2F-01GF-P1.0	15, 168, 172, 176		
S04B-F31SK-GGYR	50	S09B-F32TK-GGXBR	67	SC03B-JTSP15SK-GEXKR	141	SJ2F-01GI-P1.0	15		
S04B-F32SK-GGXR	60, 125	S09B-F32TK-GGXCR	67	SC03B-JTSP15SK-GEYKR	141	SJ2F-21GF-P1.0	15		
S04B-F32SK-GGYR	60, 125	S09B-F32TK-GGXDR	67	SC03B-JTSP15SK-GEZKR	141	SJ2F-21GI-P1.0	15		
S04B-J21SK-GGXR	21	S09B-JTSH5.0SK-GEXKR	121	SC04B-F35DK-GGR	74, 81, 132	SJ2M-002GF-M1.0N	15		
S04B-J21SK-GGYR	21	S10B-F31DK-GGR	53	SC06B-JTSK5.0SK-GEXKR	119	SJ2M-002GI-M1.0N	15		
S04B-J28SK-GGXQ1R	31	S10B-F31SK-GGXR	50	SC12B-F34FK-GGR	70	SJ2M-01GF-M1.0N	15		
S04B-J43SK-GHXR	96	S10B-F31SK-GGYR	50	SC12B-F35DK-GGR	74, 81	SJ2M-01GF-M1.0S	15		
S04B-J43SK-GHYR	96	S10B-F32MK-GGXXR	64, 127	SC20B-F34FK-GGR	70	SJ2M-01GI-M1.0N	15		
S05B-F31SK-GGXR	50	S10B-F32MK-GGXJR	64, 127	SC20B-F35DK-GGR	74, 81	SJ2M-01GI-M1.0S	15		
S05B-F31SK-GGYR	50	S10B-F32MK-GGYR	64, 127	SF1F-002GC-P0.6	5	SJ2M-21GF-M1.0N	15		
S05B-F32SK-GGXR	60, 125	S10B-J21DK-GGXR	22	SF1F-002T-P0.6	5	SJ2M-21GF-M1.0S	15		
S05B-F32SK-GGYR	60, 125	S10B-J21DK-GGYR	22	SF1F-01GC-P0.6	5	SJ2M-21GI-M1.0N	15		
S05B-JTSH5.0SK-GEXKR	121	S10B-J22DK-GGXR	23	SF1F-21GC-P0.6	5	SJ2M-21GI-M1.0S	15		
S05B-JTSLSK-GSANXR	139	S10B-J22DK-GGYR	23	SF1F-21T-P0.6	5	SJ3F-002GF-P1.8	168		
S06B-F31DK-GGR	53	S12B-F31DK-GGR	53	SF1M-002GC-M0.6A	5	SJ3F-01GF-P1.8	168, 172, 176		
S06B-F31MK-GGXJR	55	S12B-F32MK-GGXJR	64, 127	SF1M-002T-M0.6A	5	SJ3F-41GF-P1.8	168, 172, 176		
S06B-F31MK-GGXJR	55	S12B-F32MK-GGXJR	64, 127	SF1M-01GC-M0.6A	5	SJ4F-71GF-M3.0	93, 146		
S06B-F31MK-GGYR	55	S12B-F32MK-GGYR	64, 127	SF1M-21GC-M0.6A	5	SJ4F-81GF-M3.0	93, 146		
S06B-F31SK-GGXR	50	S12B-J11DK-GWXR	9	SF1M-21T-M0.6A	5	SJ4M-71GF-M3.0	147		
S06B-F31SK-GGYR	50	S12B-J11DK-GWYR	9	SF3F-002GF-P2.0	46, 89, 101, 146	SJ4M-81GF-M3.0	147		
S06B-F32MK-GGXJR	64, 127	S12B-J11DK-TXR	9	SF3F-002GI-P2.0	46, 89, 101, 146	SJ5F-71GF-M6.5	106		
S06B-F32MK-GGXJR	64, 127, 130	S12B-J11DK-TYR	9	SF3F-01GF-P2.0	46, 89, 101, 146	SJ5F-71GI-M6.5	106		
S06B-F32MK-GGYR	64, 127	S12B-J21DK-GGXR	22	SF3F-01GI-P2.0	46, 89, 101, 146	SJ5F-81GF-M6.5	106		
S06B-F32SK-GGXR	60, 125	S12B-J21DK-GGYR	22	SF3F-01T-P2.0	46, 89, 101, 146	SJ5F-81GI-M6.5	106		
S06B-F32SK-GGYR	60, 125	S12B-J25DK-GGR	29, 36	SF3F-41GF-P2.0	46, 89, 101, 146	SJ5F-91GF-M6.5	106		
S06B-J11DK-GWXR	9	S16B-F31DK-GGR	53	SF3F-41GI-P2.0	46, 89, 101, 146	SJ5F-91GI-M6.5	106		
S06B-J11DK-GWYR	9	S16B-J21DK-GGXR	22	SF3F-41T-P2.0	46, 89, 101, 146	SJ5M-71GF-M6.5	106		
S06B-J11DK-TXR	9	S16B-J21DK-GGYR	22	SF3F-71GF-P2.0	46, 89, 101, 146	SJ5M-71GI-M6.5	106		
S06B-J11DK-TYR	9	S20B-F31DK-GGR	53	SF3F-71GI-P2.0	46, 89, 101, 146	SJ5M-81GF-M6.5	106		