



**TIPPMANN
ARMS™**

M4-22 MAGNUM ELITE RIFLE

Caliber .22 WMR

Owner's Manual



**READ ALL INSTRUCTIONS AND
WARNINGS IN THIS MANUAL
BEFORE USING THIS FIREARM.**

THIS OWNER'S MANUAL SHOULD ALWAYS ACCOMPANY THIS FIREARM AND BE TRANSFERRED WITH IT UPON CHANGE OF OWNERSHIP, OR WHENEVER THE FIREARM IS LOANED OR GIVEN TO ANOTHER PERSON.

Tippmann Arms Co. LLC
2955 South Maplecrest Road, Fort Wayne, IN 46803
www.TippmannArms.com | 844-340-9317 (toll free) | 260-245-6155

Table of Contents

Warning/Liability Statement	2
You are Responsible for Firearm Safety!	3
Safe Storage & Transportation	3
Installing the Lock	4
Ten Rules for Firearm Safety	5
Safety Selector Lever	8
Removing an empty Magazine	9
Removing a loaded Magazine	9
Ammunition	9
Loading the Magazine	10
Cleaning the Magazine	10
Firing the Tippmann Arms™ M4-22 Magnum Elite	11
Inserting the Magazine into the Tippmann Arms™ M4-22 Magnum Elite	11
Pulling the Trigger	13
Clearing a Misfire	13
Clearing a Mis-Feed (Jam)	14
Unloading	14
Disassembly of the Tippmann Arms™ M4-22 Magnum Elite	15
Cleaning and Maintenance	16 - 17
Front and Rear Sights	18
Adjusting the Front Sight	18
Adjusting the Rear Sight	18
Adjusting the Stock	18
Specifications	19
Warranty and Repair Information	19 - 20
Tippmann Arms™ M4-22 Magnum Elite Parts Diagram	21
Lower Receiver	22 - 23
Upper Receiver	24 - 25
Magazine Assembly	26

Warning/Liability Statement

This product is classified as a dangerous weapon and is surrendered by Tippmann Arms Co. LLC with the understanding that the purchaser assumes all liability resulting from unsafe handling or any action that constitutes a violation of any applicable laws or regulations. Tippmann Arms Co. LLC shall not be liable for personal injury, loss of property or life resulting from the use of this weapon under any circumstances, including intentional, reckless, negligent, or accidental discharges.

All information contained in this manual is subject to change without notice. Tippmann Arms Co. LLC reserves the right to make changes and improvements to products without incurring any obligation to incorporate such improvements into products previously sold.

If you, as a user, do not accept liability, Tippmann Arms Co. LLC requests you do not use a Tippmann Arms™ M4-22 rifle. By using this firearm, you release Tippmann Arms Co. LLC of any and all liability associated with its use.

You are Responsible for Firearm Safety!

READ THIS MANUAL AND THE INCLUDED WARNINGS CAREFULLY. BE SURE YOU UNDERSTAND ALL INSTRUCTIONS AND WARNINGS BEFORE USING THIS FIREARM. FAILURE TO READ AND FOLLOW THE INSTRUCTIONS AND WARNINGS MAY RESULT IN SERIOUS INJURY, DEATH, AND/OR DAMAGE TO PROPERTY.

Learn and obey all firearms laws and regulations, which may vary from location to location. Do not provide a firearm to someone who is not allowed to own a firearm, or who may use it for a criminal purpose. If you are unfamiliar with using firearms, please participate in formal training before using your firearm.

WARNING

CHILDREN ARE ATTRACTED TO AND CAN OPERATE FIREARMS THAT MAY CAUSE SEVERE INJURIES OR DEATH. PREVENT CHILD ACCESS BY ALWAYS KEEPING FIREARMS LOCKED AND UNLOADED WHEN NOT IN USE. IF YOU KEEP A LOADED FIREARM WHERE A CHILD CAN GET TO IT AND IMPROPERLY USES IT, YOU MAY BE FINED OR SENT TO PRISON. YOU CAN NEVER BE TOO CAREFUL!

NOTE: This M4-22 Magnum Elite rifle, as sold by Tippmann Arms Co. LLC, is a firearm. Changes to the configuration of the Tippmann Arms™ M4-22 Magnum Elite by the end-user, including but not limited to, the addition of a barrel less than 16" in length may subject the firearm to reclassification under the National Firearms Act, which imposes registration, taxes, and other requirements on the owners of such firearms. It is your responsibility to comply with all Federal, State, and Local laws and regulations regarding the ownership/possession of this firearm, and any modifications or additions of any aftermarket accessories that you install.

Safe Storage & Transportation

SAFE AND SECURE STORAGE OF YOUR FIREARM IS ONE OF THE MOST IMPORTANT RULES OF FIREARM SAFETY. YOUR FAILURE TO FOLLOW THESE RULES MAY RESULT IN SERIOUS INJURY OR DEATH TO YOU OR OTHERS.

You must always secure your firearm and ammunition separately so that they are not accessible to children or other unauthorized persons.

Safe and secure storage and transportation of your firearm is your responsibility. It is a full-time responsibility.

YOU SHOULD ALWAYS SECURE YOUR FIREARM IN A MANNER THAT WILL PREVENT UNAUTHORIZED ACCESS. ALWAYS STORE YOUR FIREARM UNLOADED AND LOCKED.

Please read and follow the instructions for the use of this lock. There are other alternative locks and safe storage containers available in the marketplace which may be appropriate for your particular needs. Consult your local gunshop, hardware store or local police department for guidance on the variety of other safe storage devices or practices which may be appropriate for your particular needs.

By purchasing this firearm you have taken on the responsibility of safely securing the firearm at all times and preventing its unauthorized use. Never assume that the use of only a lock is sufficient to safely secure your firearm. It is your personal responsibility to select and use whatever measure or practices that will best enable you to be absolutely certain that your firearm is secure at all times.

Remember that any mechanical device can be bypassed with enough time, knowledge, determination, and equipment.



Installing the Lock

1. Unload and remove magazine by following the instructions on page 14.
2. Pull back on the charging handle and check that the chamber is clear of any ammunition. Lock the bolt back following the instructions on the bottom of page 14.
3. Unlock the cable from the lock using the provided key.
4. Route the cable down through the ejection port and out the magazine well.
5. Insert the cable into the opening on the lock.
6. Turn the key to secure the cable in the locking mechanism and remove the key.
7. Verify that the cable is locked by pulling on the cable.
8. Store the key in a separate and secure place from the firearm.

Be sure to keep the key and the locked firearm out of the reach of unauthorized persons.

Ten Rules for Firearm Safety

1. Always keep the muzzle pointed in a safe direction.

This is the most important firearm safety rule. A safe direction is one where an accidental discharge will not cause injury to yourself or others. Never point your firearm at anything you don't intend to shoot. Be extra careful when you are loading or unloading the firearm. Treat every firearm as if it is loaded. No one can be injured by an accidental discharge if you keep your firearm pointed in a safe direction. It's that simple.

This is an auto-loading firearm. It is immediately loaded and ready to fire again after each shot until all cartridges in the magazine have been fired. This firearm is able to fire both with and without the magazine in place. Removing the magazine does not unload the firearm nor does it engage the safety. The firearm is not considered unloaded until the magazine is removed and the chamber is verified to be empty.

2. Unload your firearm when not in use.

Load your firearm only when you are in the field or at the target range and ready to fire. Never let a loaded firearm out of your sight or out of your hands. Unload it as soon as you are finished shooting. Unloading your firearm means there is no ammunition in the chamber or in the magazine. Before handling a firearm or passing it to someone else, visually check the chamber and magazine to be certain there is no ammunition present. Never assume a firearm is unloaded even if you were the last person to handle it.

Ammunition should be stored and locked in a location separate from your firearm. Never leave an unsecured firearm or ammunition in a closet, dresser drawer, or under the bed. Remember, it is your responsibility to make sure that children and others cannot gain access to your firearm and ammunition.

3. Don't rely on the Safety Selector Lever.

Treat every firearm as if it can fire at any time, whether or not there's pressure on the trigger. Because a firearm's safety selector lever is a mechanical device, it could fail.

Human error is the biggest reason for firearm safety failure. You may believe the safety is on when it really isn't. The safety selector lever may have been disengaged without your knowledge. You may believe your firearm is unloaded when there's actually a cartridge loaded in it. A mechanical safety is not a substitute for safe behavior.

Never touch the trigger on a firearm until you are ready to shoot. Keep your fingers away from the trigger when you are loading or unloading. Never pull the trigger when the safety selector lever is engaged.

Before using your firearm, read this manual in its entirety to understand the exact location and operation of your firearm's safety selector lever. Even when the safety is on, maintain control of your loaded firearm and control the direction of the muzzle. Don't rely on your safety selector lever to justify careless handling. If your firearm's internal mechanisms are broken or have been altered, your firearm may fire even when the safety selector lever is on. Remember, you and your safe firearm handling behavior are your firearm's best safety.

4. Know your target and what is beyond it.

Never fire unless you know exactly where your shot is going and what it will hit. Never fire at a sound, a movement, or a patch of color. A hunter in camouflage can easily be mistaken for a target by an impulsive shooter. Before you pull the trigger, be absolutely sure of your target and what's behind it. Make sure the shot has a backstop such as a hillside or dense material like sand. Remember, bullets can travel great distances (over a mile) with tremendous velocity. Know how far your shot will go if you miss your target or if the bullet ricochets.

5. Use proper ammunition.

Every firearm is designed to use a certain type of ammunition. Using the wrong ammunition or mixing ammunition of the wrong type can cause serious personal injury or death. It only takes one cartridge of the incorrect type to destroy your firearm. It's your responsibility to make sure the ammunition you use exactly matches your firearm. Refer to pages 9-10 to find out the specific instructions for loading your firearm. Always read and follow the instructions printed on ammunition boxes.

6. If your firearm fails to fire when the trigger is pulled, handle with care.

If the ammunition doesn't fire when you pull the trigger, stop and remember the first Rule for Firearm Safety on page 5 – always keep the muzzle pointed in a safe direction. Wait 10 seconds before opening the action and removing the suspect cartridge. Keep your face away from the breech, carefully open the action, unload the firearm and dispose of the faulty cartridge safely. Anytime there is a cartridge in the chamber, your firearm is loaded and ready to fire. If your firearm didn't fire, treat your firearm as if it still could fire at any moment, keeping the muzzle pointed in a safe direction.

7. Always wear eye and ear protection when shooting.

Your sight and hearing are at risk of injury from shooting and should be protected at all times. Always wear eye and hearing protection that are specified for use with firearms every time you discharge your firearm. Continued exposure to shooting noise can permanently damage your hearing. Also be sure to wear eye protection when you are disassembling or cleaning a firearm so that tensioned parts (like springs) and cleaning solvents don't get into your eyes.

8. Be sure the barrel is clear of obstructions before shooting.

Before loading your firearm, open the action and make sure there's no ammunition in the chamber or magazine. Check the barrel for any obstructions or debris. Even a small amount of debris, such as snow, mud, excess lubricant or grease in the bore can dangerously increase pressure and cause the barrel to bulge or burst when firing. Use a cleaning rod and patch to wipe away anti-rust compounds or any other residues or obstructions in the barrel. Never try to shoot out an obstruction by loading a cartridge and firing!

9. Don't alter or modify your firearm, and have it serviced regularly.

You'll jeopardize your safety and that of others by attempting to alter the trigger, mechanical safety, or any other mechanisms. Never alter or modify your firearm in any way.

Like any mechanical device, a firearm is subject to wear. It must be maintained and periodically serviced to ensure optimum safety and performance.

Proper cleaning and lubrication are also important to firearm maintenance and are necessary to assure accuracy, safety, and reliability. Before cleaning, always make sure that your firearm is completely unloaded. And always clean the barrel from the chamber (breech) end to the muzzle when possible.

Clean your bore before each time you are going out to shoot. Be sure to clean your entire firearm before and after long-term storage and no less than once a year. It's also important to clean your firearm whenever it's been exposed to adverse conditions such as rain, dirt, mud, snow, sleet, or saltwater.

Use recommended lubricants such as Hoppe's[®] 9 on your firearm and do not over-lubricate. Refer to the manufacturer's instructions. Too much lubricant could have a detrimental effect on the firearm's function and safe operation. You are responsible for the proper care and maintenance of your firearm. Failure to properly maintain your firearm can not only damage or ruin your firearm, it can expose you and others to unnecessary risks of personal injury or death.

10. Learn the mechanics and handling characteristics of your firearm.

Not all firearms are alike. They have different mechanical characteristics that determine how you should carry and handle them. Anyone who plans to use this firearm should first become familiar with the type of firearm it is and the safe handling procedures for loading, unloading, carrying, shooting and storing it.

Before you take your new Tippmann Arms[™] M4-22 Magnum Elite out of the box, read this entire manual from front cover to back cover. Familiarize yourself with the different components of the firearm, and all of the safety requirements that accompany firearm ownership.

WARNING

Discharging firearms in poorly ventilated areas, cleaning firearms, or handling ammunition may result in exposure to lead, a substance known to cause birth defects, reproductive harm, cancer and other serious physical injury. Have adequate ventilation at all times. Wash hands thoroughly after exposure.

SHOOT SOBER!!

There is an important additional rule to follow when handling firearms. Respect for this rule is necessary in order to effectively practice the *Ten Rules for Firearm Safety*.

This rule is: SHOOT SOBER! Firearms and alcohol or drugs make a deadly combination. Never consume anything that would even mildly impair your judgment or physical coordination when you are using a firearm. An amazing percentage of shooting accidents that occur every year involve alcohol or drugs. Be smart. Always shoot sober and stay alive.

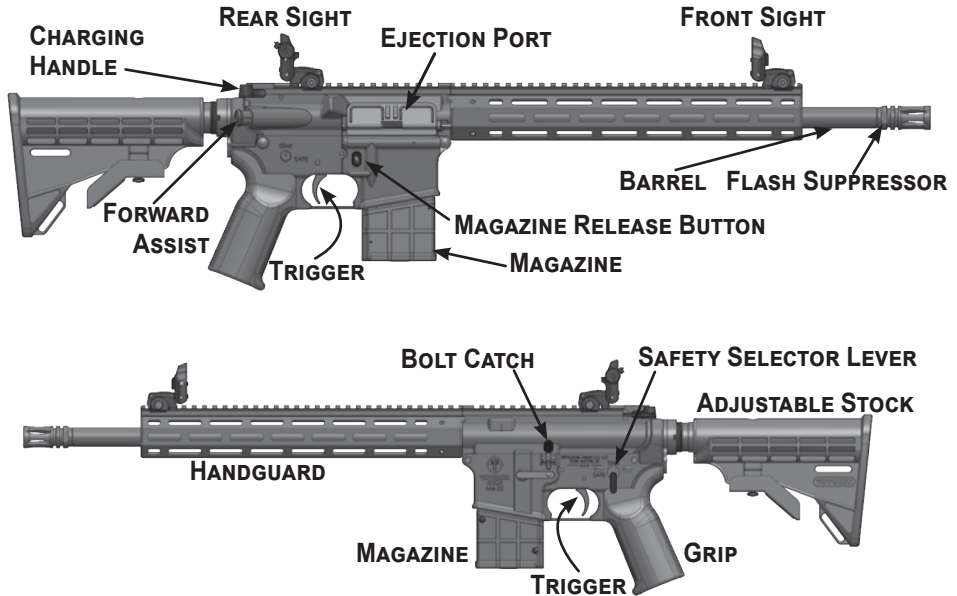
WARNING

Failure to follow any of these safety rules may cause personal injury or death to the shooter or bystander and damage to property. Do not use a firearm until you fully understand and practice these Ten Rules for Firearm Safety. If you have any questions about the safe use of a Tippmann Arms firearm, write to us at Tippmann Arms Co. LLC, Customer Service, 2955 South Maplecrest Road, Fort Wayne, IN 46803, or call toll free 844-340-9317, 260-245-6155, or contact us through our website www.TippmannArms.com.

Tippmann Arms™ M4-22 Magnum Elite - Components

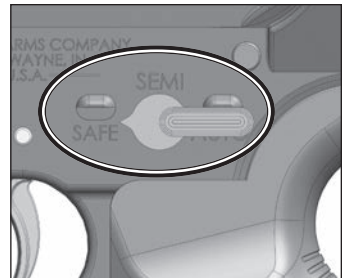
Congratulations on your choice of a Tippmann Arms™ M4-22 Magnum Elite autoloading firearm. With proper care, it should give you many years of dependable use and enjoyment. For best results, we recommend that you use high quality ammunition (see page 9). Before using your Tippmann Arms M4-22 Magnum Elite for the first time, it should be cleaned (see page 16).

Not all firearms are the same. That means the first step in safe handling is to learn the features and requirements of your new Tippmann Arms M4-22 Magnum Elite. Familiarize yourself with the main parts of the Tippmann Arms M4-22 Magnum Elite:



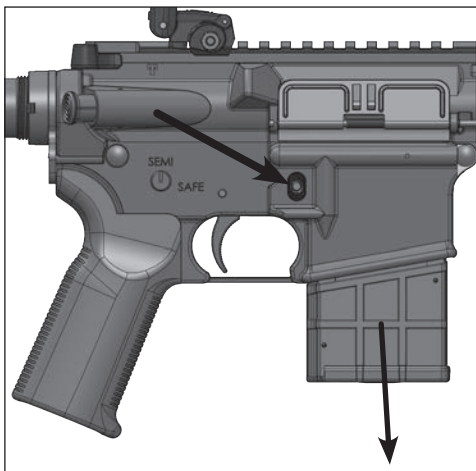
Safety Selector Lever

The safety selector lever provides protection against accidental or unintentional firing under normal use when properly set to the SAFE position as shown at right. Because the safety selector lever is a mechanical device, it could fail, so always practice safe firearm handling. Do not rely only on the safety. The safety lever will not engage if the firearm is uncocked. Always follow the Ten Rules for Firearm Safety.



Removing an empty Magazine

1. Point the firearm in a safe direction.
2. Press and hold the magazine release button on the right side of the firearm (shown at right).
3. The magazine can be removed from the magazine well of the firearm.



Removing a loaded Magazine

1. Point the firearm in a safe direction.
2. Press and hold the magazine release button on the right side of the firearm (shown above).
3. The magazine can be removed from the magazine well of the firearm.
4. Pull back the charging handle to eject a live cartridge from the chamber, if one is present.

⚠ WARNING

REMOVING THE MAGAZINE FROM THE FIREARM DOES NOT PREVENT THE FIREARM FROM BEING FIRED. IF A CARTRIDGE IS IN THE CHAMBER AND THE SAFETY SELECTOR LEVER IS NOT IN THE SAFE POSITION, THE CARTRIDGE IN THE CHAMBER CAN BE FIRED BY PULLING THE TRIGGER. **THE FIREARM WILL FIRE WITH THE MAGAZINE REMOVED!**

Ammunition

ONLY USE STANDARD CALIBER .22 WMR (MAGNUM) AMMUNITION LOADED TO U.S. INDUSTRY SPECIFICATIONS. DO NOT USE SHORT, LONG, OR LONG RIFLE CARTRIDGES IN THIS FIREARM. NEVER USE AMMUNITION NOT SPECIFICALLY DESIGNATED FOR USE IN THIS FIREARM. FAILURE TO USE THE CORRECT TYPE OR CALIBER OF AMMUNITION MAY CAUSE THE FIREARM TO JAM OR FAIL TO FIRE. INCORRECT AMMUNITION MAY GENERATE EXCESSIVE PRESSURE WHICH CAN DAMAGE OR EVEN RUPTURE YOUR FIREARM, CAUSING PERSONAL INJURY OR DEATH TO THE SHOOTER OR BYSTANDERS.

You are responsible for selecting ammunition that meets industry standards and is appropriate in type and caliber for this firearm.

⚠ WARNING

ALWAYS INSPECT YOUR AMMUNITION BEFORE USING IT. NEVER USE DIRTY, CORRODED OR DAMAGED AMMUNITION. A BURST CARTRIDGE MAY RESULT CAUSING DAMAGE TO THE FIREARM AND PERSONAL INJURY OR DEATH TO THE SHOOTER OR BYSTANDERS.

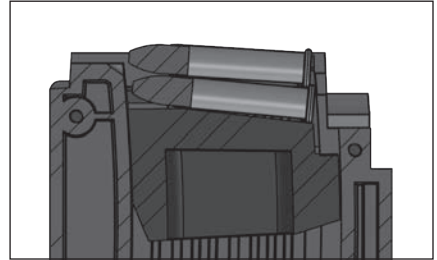
Loading the Magazine

Clean the inside of the barrel before loading and firing the firearm for the first time. See Cleaning Instructions on page 16.

1. Follow the instructions for removing the magazine on the previous page. Your firearm box may include a 10 round magazine or a 15 round magazine.



2. Holding the magazine upright (vertical), insert one .22 WMR cartridge into the magazine in front of the metal pin ears. Press and slide the cartridge down and back until it is held in place by the magazine, overlapping the cases as shown.



3. Place the next cartridge on top of the previous cartridge. Never attempt to load more cartridges into the magazine than it will hold.

Cleaning the Magazine

1. Follow the instructions for removing the magazine from the firearm on the previous page.
2. Periodically clean your magazine to remove powder residue and/or dirt and bullet wax (which may cause the magazine to not feed properly).
3. To clean wax buildup from the inside of your magazine, Remove the internal parts and use a long skinny brush and a good cleaner like M-Pro7.

Firing the Tippmann Arms™ M4-22 Magnum Elite

WARNING

FAILURE TO FOLLOW THESE FIREARM SAFETY RULES WILL CAUSE SERIOUS PERSONAL INJURY OR DEATH TO YOU OR OTHERS.

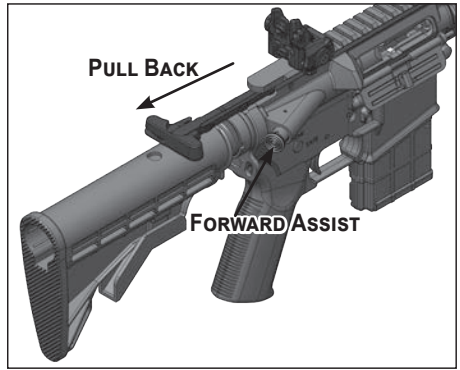
- ALWAYS TREAT ALL FIREARMS AS IF THEY ARE LOADED.
- WHEN NOT IN USE, BE SURE THAT THE ACTION OF THE FIREARM IS OPEN, THAT THE CHAMBER IS CLEAR OF CARTRIDGES AND THE MAGAZINE IS REMOVED OR UNLOADED, AND THAT THE FIREARM IS POINTING IN A SAFE DIRECTION.
- ALWAYS KEEP FINGERS AND ALL OTHER PARTS OF YOUR BODY AWAY FROM THE MUZZLE AND AWAY FROM THE EJECTION PORT.
- ALWAYS WEAR ADEQUATE AND PROPER HEARING PROTECTION SPECIFIED FOR FIREARM USE TO PREVENT PERMANENT DAMAGE TO YOUR HEARING. MAKE SURE OTHERS WHO ARE NEARBY ARE WEARING EAR PROTECTION AS WELL.
- ALWAYS WEAR SAFETY GLASSES SPECIFIED FOR FIREARM USE. SAFETY GLASSES PROTECT YOUR EYES FROM THE FIRING FLASH AND LEAD PARTICLES ASSOCIATED WITH THE DISCHARGE OF AMMUNITION. FAILURE TO DO SO CREATES A RISK OF PERSONAL INJURY.
- ALWAYS BE AWARE OF OTHER PEOPLE SO THAT NO ONE ACCIDENTALLY WALKS INTO THE LINE OF FIRE.
- THE SHOOTER (AND ALL OTHERS IN THE SHOOTING AREA) MUST ALWAYS BE IN A POSITION THAT IS OUT OF THE LINE OF FIRE, AND ARE NOT WITHIN AN AREA WHERE THEY MAY BE STRUCK BY A RICOCHET, LEAD PARTICLES SPITTING FROM A FIREARM, OR BY EJECTED CARTRIDGES.
- NEVER SHOOT AT SURFACES THAT MAY CAUSE A RICOCHET, SUCH AS FLAT GROUND OR WATER. ALWAYS SELECT A PLACE TO SHOOT THAT HAS A SAFE BACKSTOP, IS FREE OF OBSTRUCTIONS, AND HAS NO SURFACES WHICH MAY CAUSE A RICOCHET.
- DO NOT RUN, CLIMB, OR JUMP OVER AN OBSTACLE WITH A LOADED FIREARM.
- DO NOT ENTER OR RIDE IN A MOTOR VEHICLE WITH LOADED FIREARMS.
- NEVER USE ALCOHOL OR DRUGS BEFORE SHOOTING, WHILE SHOOTING, OR WHEN HANDLING ANY FIREARM.

Inserting the Magazine into the Tippmann Arms™ M4-22 Magnum Elite

ALWAYS POINT THE MUZZLE IN A SAFE DIRECTION.

- Do not load the firearm until you have read and fully understand this manual.
 - Do not load the firearm until you are ready to use it. Keep your finger off the trigger and outside the trigger guard until you are ready to fire.
 - Always be sure of your target and what is beyond it.
1. Load the magazine using the instructions on page 10.
 2. Insert the loaded magazine into magazine well until it is securely locked in. Check that it is locked in place by pulling downward on the magazine.

3. Pull the Charging Handle all the way back and then release the charging handle. This loads a cartridge into the chamber.
4. Set the safety selector lever to the SAFE position. The firearm must be cocked to engage the safety lever.
5. If the bolt does not completely close and chamber a cartridge, push the forward assist to move the bolt to the barrel. The forward assist will only be useful on rare occasions, and its need could indicate that it is time to clean the firearm. **CAUTION: ALWAYS CHECK THAT AMMUNITION IS CLEAN AND UNDAMAGED BEFORE USING THE FORWARD ASSIST.** Do not use the forward assist if a cartridge has mis-fed or jammed. Forcing dirty or damaged ammunition into the chamber could damage your rifle and could result in death, injury, or property damage.
6. If you have problems feeding a cartridge, the bolt must be reopened and the cartridge cleared. See page 14, *Clearing a Mis-Feed*.
7. You can close the ejection port cover if you wish. It will open upon firing the first cartridge, and remain open until you close it.



⚠ WARNING

THIS FIREARM MAY ACCIDENTALLY DISCHARGE WHEN A CARTRIDGE IS IN THE CHAMBER AND THE FIREARM IS DROPPED, OR RECEIVES A BLOW TO THE MUZZLE OR FRONT OF THE FIREARM. (THIS CAN OCCUR REGARDLESS OF THE POSITION OF THE SAFETY SELECTOR LEVER.) THEREFORE, EXTRA CARE AND STRICT FOLLOWING OF THESE INSTRUCTIONS BY THE FIREARM USER IS MANDATORY FOR MINIMIZING THE RISK OF ACCIDENTS.

ALWAYS POINT THE MUZZLE IN A SAFE DIRECTION WHEN YOU RELEASE THE CHARGING HANDLE AND BOLT.

⚠ WARNING

ALWAYS LOAD A CARTRIDGE INTO THE CHAMBER BY FEEDING IT FROM THE MAGAZINE. NEVER ATTEMPT TO LOAD THE FIREARM BY INSERTING A CARTRIDGE DIRECTLY INTO THE CHAMBER. FAILURE TO FOLLOW THIS WARNING CAN RESULT IN SEVERE INJURY OR DEATH TO YOU OR OTHERS.

THIS FIREARM WILL FIRE WITH THE MAGAZINE REMOVED. KEEP YOUR FINGER OFF THE TRIGGER AND OUTSIDE THE TRIGGER GUARD UNTIL YOU ARE READY TO FIRE.

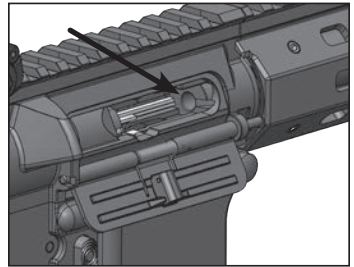
Pulling the Trigger

⚠ WARNING

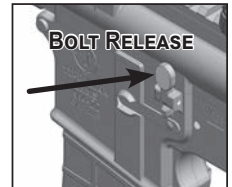
ALWAYS KEEP THE MUZZLE POINTED IN A SAFE DIRECTION.

WEAR EYE AND EAR PROTECTION SPECIFIED FOR FIREARM USE EVERY TIME YOU FIRE YOUR FIREARM. MAKE SURE ALL OTHERS IN YOUR VICINITY DO SO AS WELL.

1. Grasp the firearm with one hand on handguard and other hand on the grip with index finger resting along outside of trigger guard. Raise the firearm and pull the stock securely up to your shoulder. For instructions to adjust the stock, see page 18.
2. Move the safety selector lever to the SEMI position.
3. While aiming in a safe direction, place your index finger on the trigger and pull gently until it fires. Your firearm reloads immediately after firing.
4. You may continue firing by pulling and releasing the trigger until the magazine is empty. The bolt remains in the rearward position upon firing the last cartridge from the magazine, allowing you to inspect the chamber to see that it is empty. You can quickly reload by replacing the magazine with a fully loaded one and pressing the bolt release.
5. If you wish to stop firing, release trigger, move your finger to outside the trigger guard and set safety selector lever to the SAFE position.



Never leave the firearm cocked and loaded, ready to fire without the safety selector lever in the SAFE position! An accidental firing could cause injury, death, or damage to property.



Clearing a Misfire

⚠ WARNING

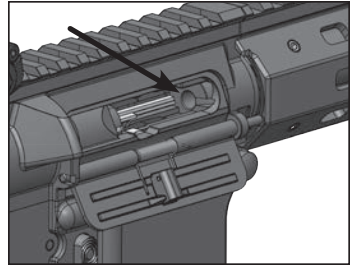
ALWAYS KEEP THE MUZZLE POINTED IN A SAFE DIRECTION.

WEAR EYE AND EAR PROTECTION SPECIFIED FOR FIREARM USE WHEN FIRING AND CLEARING MISFIRES OR MIS-FEEDS.

IF YOUR FIREARM GIVES ANY INDICATION THAT IT IS NOT PERFORMING PROPERLY OR THE OPERATION OF YOUR FIREARM HAS CHANGED "THE WAY IT FEELS OR SOUNDS", STOP FIRING. MAKE SURE THE FIREARM IS POINTED IN A SAFE DIRECTION, UNLOAD THE FIREARM AND HAVE IT INSPECTED AND TEST FIRED BY A GUNSMITH QUALIFIED TO PERFORM SERVICE ON FIREARMS.

1. If a cartridge fails to fire, keep the muzzle pointed in a safe direction and wait 10 seconds before opening the action and removing the suspect cartridge.
2. Press the magazine release button and remove the magazine.
3. Pull the charging handle all the way back and press the lower portion of the bolt catch down. This locks the bolt open for chamber inspection. The defective cartridge should fall out.

4. Check the chamber to be sure no cartridges are present (empty chamber is shown at right).
5. Dispose of the defective cartridge in a method approved for live cartridge disposal.
6. Once the misfire is cleared, proceed to load the firearm as instructed in the *Inserting the Magazine* section on page 11.



Clearing a Mis-Feed (Jam)

Note: Any autoloading firearm may, upon occasion, fail to feed a cartridge properly from the magazine. If this should occur:

- Put the safety selector lever in the SAFE position if the firearm is cocked.
- Be certain the muzzle is pointed in a safe direction and remove the magazine.
- Pull the charging handle back and lock the bolt open with the bolt catch before attempting to clear the jam. Pulling the bolt fully to the rear may pull the jammed cartridge out.

WARNING

KEEP YOUR FACE A SAFE DISTANCE FROM THE EJECTION PORT WHEN CLEARING A MIS-FED CARTRIDGE. A CARTRIDGE MAY IGNITE IF THE RIM/PRIMER OF THE CARTRIDGE IS STRUCK WITH SUFFICIENT FORCE. IF A CARTRIDGE IGNITES WHILE BEING CLEARED FROM THE FIREARM, DEATH OR SERIOUS INJURY MAY RESULT.

- It may be necessary to manually remove a jammed cartridge. When attempting to clear a jam manually, use only wooden tools, such as a pointed dowel rod or a pencil, and use extreme care to avoid striking the rim/primer of the cartridge.
- Visually check to make sure all cartridges have been removed from the firearm. Safely dispose of any cartridges involved in a misfeed incident. Do not use damaged ammunition in any firearm.
- Once the misfire is cleared, proceed to load the firearm as instructed in the *Inserting the Magazine* section on page 11.

Unloading

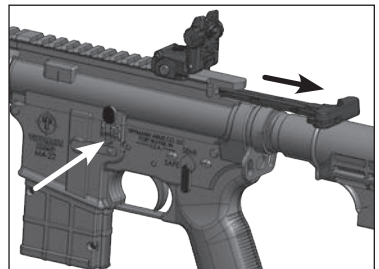
WARNING

ALWAYS KEEP THE MUZZLE POINTED IN A SAFE DIRECTION.

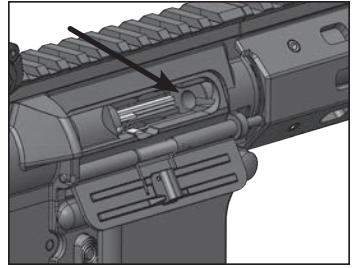
1. Set safety selector lever to the SAFE position if the firearm is cocked.
2. Press the magazine release button and remove the magazine.

Note: When the last cartridge is fired, the bolt is held back, provided the empty magazine is in place.

3. If the bolt is in the forward/closed position, pull the charging handle all the way back (black arrow) and push in lower portion of bolt catch (white arrow) to lock the bolt open. If there is a cartridge in the chamber, it will be ejected.



4. Look into the chamber through ejection port to make sure that the chamber is empty (empty chamber is shown at right).
5. Remove remaining live cartridges from the magazine by sliding them forward and out of the magazine.
6. Collect live ammunition for safe storage and the spent cartridge cases for proper disposal.



Disassembly of the Tippmann Arms™ M4-22 Magnum Elite

⚠ WARNING

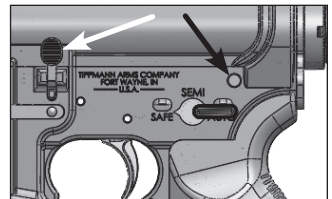
ALWAYS KEEP THE MUZZLE POINTED IN A SAFE DIRECTION.

NEVER DO ANYTHING BEYOND WHAT YOU ARE SPECIFICALLY INSTRUCTED TO DO IN THIS MANUAL. NEVER ALTER OR MODIFY THE PARTS IN YOUR FIREARM.

WEAR SAFETY GLASSES THAT ARE SPECIFIED FOR FIREARMS AND USE EVERY TIME YOU ASSEMBLE OR DISASSEMBLE YOUR FIREARM.

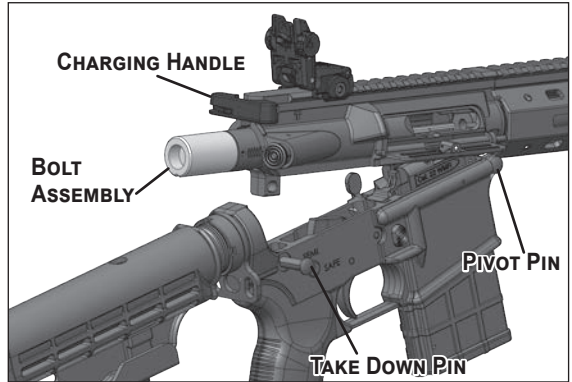
ANY MAINTENANCE, ADJUSTMENT, OR SERVICE NOT SPECIFIED IN THIS MANUAL MAY AFFECT THE SAFETY AND RELIABILITY OF YOUR FIREARM AND MUST BE PERFORMED BY A QUALIFIED GUNSMITH USING GENUINE TIPPMMANN ARMS CO. LLC PARTS. IF YOU DO OTHERWISE, IMPROPER FUNCTIONING OF YOUR FIREARM MAY OCCUR, AND SERIOUS INJURY OR DEATH MAY RESULT.

1. Unload the firearm and remove the magazine as instructed on page 14.
2. Clean the exterior of the Tippmann Arms M4-22 Magnum Elite.
 - a. Dust off the outside of the firearm with a brush. A dry half-inch paintbrush is ideal for this. Use a toothbrush or cotton swabs for the areas around the trigger and sights.
 - b. Remove the hand guard from the barrel.
 - c. Wipe down the barrel with a clean cloth.
 - d. Wipe off the adjustable stock with a dry cloth.
 - e. Reinstall the hand guard to the barrel.
3. Push the top of the bolt release (white arrow) to put the bolt all the way to the forward/closed position.
4. Push in on the take down pin (black arrow) from the left of lower receiver. This exposes the head of the pin on the right side of the receiver. Pull the pin out until it comes to a stop. (It is not removable.)
5. Pivot the lower receiver down and away from upper receiver. **Note:** Be careful to not let the Bolt fall out. **Note:** Never dry-fire the firearm when it is disassembled.
6. Remove the bolt and charging handle from the back of the upper receiver.



The next step is optional, and is not necessary to clean the M4-22 Magnum Elite.

7. Remove the Barrel and Ejector.
 - a. Separate the Upper Receiver from the Lower Receiver by pulling out the Take Down Pin and Pivot Pin.
 - b. Using an AR-style Vise Block, hold the Upper Assembly securely in a bench Vise.
 - c. Remove the Barrel Nut with a 1" wrench.
 - d. Remove the Barrel, Split Washers, Barrel Key, and Ejector. Be careful to not drop parts as the Barrel is removed.
 - e. Clean all parts thoroughly to maintain parts in good working condition. Reassemble parts in the reverse order. When installing the Barrel Nut, tighten to a torque setting of 30 ft-lb.



Cleaning and Maintenance

Cleaning and lubricating your firearm are important precautions you can take to extend the life of your firearm.

Before firing: Check that the barrel and chamber are clear of any obstructions such as oil, dirt, snow, etc. **Do not try to shoot debris/obstructions out of your barrel. This can damage your firearm and may cause injury or death to the shooter and bystanders.**

After firing: Clean your firearm after shooting it so that there will be less opportunity for corrosion to start. (Cleaning Kit is not included.)

Periodically: Clean and lubricate your firearm as needed (at least once or twice a year in temperate climates) and whenever exposed to sand, dust, extreme humidity, rain, condensation or immersion in water.

WARNING

ALWAYS HAVE ADEQUATE VENTILATION. CLEANING FIREARMS IN POORLY VENTILATED AREAS, DISCHARGING FIREARMS, OR HANDLING AMMUNITION MAY RESULT IN EXPOSURE TO LEAD AND OTHER SUBSTANCES KNOWN TO CAUSE BIRTH DEFECTS, REPRODUCTIVE HARM AND OTHER SERIOUS PHYSICAL INJURY. WASH HANDS THOROUGHLY AFTER EXPOSURE.

A basic firearm cleaning kit (not included) should contain: a brass bore brush and a cleaning jag of appropriate size for the bore caliber, high-quality firearm cleaning solvent, gun oil/lubricant (such as Hoppes® 9), cotton cleaning patches, and a cleaning rod that is long enough to push the brush and jag completely through the barrel bore.

Follow the instructions provided with your cleaning kit to properly clean your Tippmann Arms™ M4-22 Magnum Elite, paying particular attention to the areas listed below.

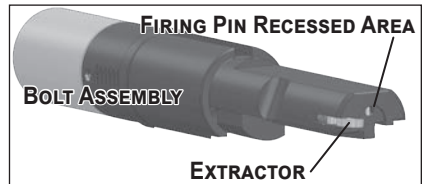
1. Unload the firearm using the instructions on page 14. It is your responsibility to ensure that the firearm is unloaded prior to cleaning activity.
2. Disassemble the M4 following the instructions on pages 15-16. Never disassemble the firearm beyond the instructions provided.
3. Clean and lubricate the upper receiver
 - a. Clean the upper receiver exterior and interior until free of powder residue.
 - b. Clean the exterior of the firearm using a non-abrasive cloth.
 - c. After cleaning, coat the interior surfaces of the upper receiver with a light coating of oil/lubricant.

4. Clean and lubricate the barrel bore.
 - a. Attach a bore brush to the cleaning rod, dip it in solvent, and brush the bore thoroughly.
 - b. Brush from the chamber to the muzzle using straight through strokes.
 - c. Push the bore brush through the barrel until it extends beyond the flash guard. Continue this process until the bore is free of carbon and fouling (never reverse the direction of the brush while inside the bore).
 - d. Remove the brush from the cleaning rod and dry the bore with clean patches. Do NOT attempt to retract a patch. Push it all the way past the flash suppressor.
 - e. Apply a very light coat of oil to the bore using quality lubricant and a clean patch. Excess lubricant or grease in the bore can dangerously increase pressure and cause the barrel to bulge or burst when firing.

Note: Avoid getting solvent into places where it can't be removed. This may cause damage to the firearm.

5. Cleaning the chamber
 - a. Attach the chamber cleaning brush to a section of the cleaning rod.
 - b. Dip it in solvent, and insert it in the chamber.
 - c. Scrub in a circular motion.
 - d. Remove the brush and dry the chamber thoroughly with clean patches.
 - e. Apply a very light coat of oil to the chamber using quality lubricant and a clean patch. Excess lubricant or grease in the bore can dangerously increase pressure and cause the barrel to bulge or burst when firing.

6. Clean and lubricate the bolt assembly.
 - a. Thoroughly clean all parts with a patch or an all-purpose brush.
 - b. Clean the firing pin recessed area using an all-purpose brush.
 - c. Use an all-purpose brush to scrub the extractor. Remove carbon and metal filings.
 - d. Ensure that all carbon and metal filings are removed, then wipe the bolt assembly with dry patches.



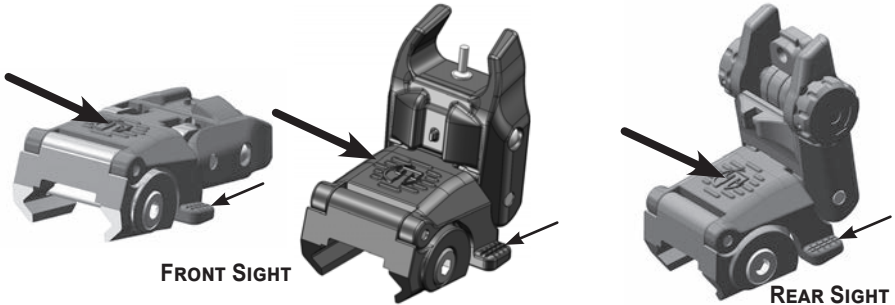
- e. Using a clean patch, apply a light coat of lubricant to the bolt assembly.
7. Clean and lubricate the Lower Receiver.
 - a. Wipe any particles of dirt from the trigger mechanism with a clean patch or brush and place a drop of lubricant on the Trigger pins.
 - b. Other components of the lower receiver can be cleaned with a brush.
 - c. Using a scrubbing action, remove all carbon residue and foreign material.
 - d. Using a clean patch, apply a light coat of lubricant to the Lower Receiver assembly.
8. Reassemble the Tippmann Arms™ M4-22 Magnum Elite
 - a. Slide the charging handle in next. Put the properly oriented bolt assembly into the upper receiver and slide it all the way forward.
 - b. Rotate the upper receiver towards the lower receiver using the pivot pin as a hinge. Watch closely to ensure the bolt assembly clears the lower receiver.
 - c. Secure together by pushing the take down pin back through the lower and upper receivers.

WARNING

BEFORE FIRING YOUR FIREARM, MAKE SURE THAT THE BARREL AND CHAMBER ARE CLEAN AND DRY. FIRING WITH OIL, GREASE, OR ANY OTHER MATERIAL PARTIALLY OBSTRUCTING THE BORE MAY RESULT IN DAMAGE TO THE FIREARM AND SERIOUS INJURY TO THE SHOOTER AND BYSTANDERS.

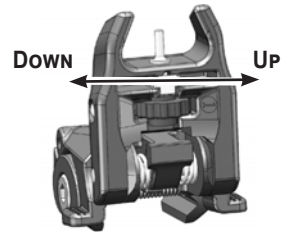
Front and Rear Sights

The Front Flip Up Sight and the Rear Flip Up Sight can be in two positions. When flat against the Picatinny Rail, you can press the Tippmann Arms "T" (large arrow) or press the two tabs located on the sides of the sight (small arrow) to make them flip up for use.



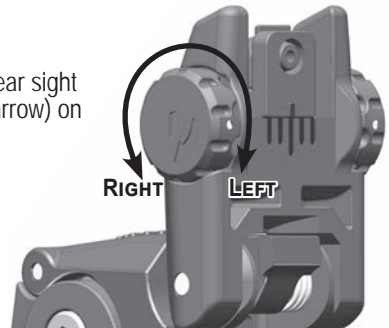
Adjusting the Front Sight

1. The front sight is adjustable for elevation by moving the pin to lower or raise the bullet's point of impact
2. To adjust the front sight for elevation, turn the knob (arrow at right) left or right to move the point of impact up or down.



Adjusting the Rear Sight

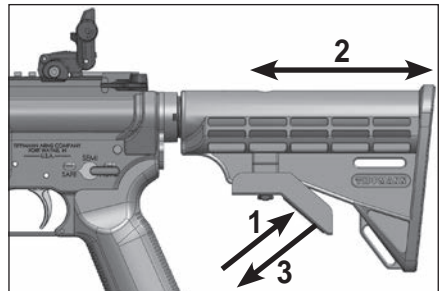
1. To adjust windage it is necessary to move the rear sight aperture left or right by using the knobs (black arrow) on the sides of the rear sight.
2. Turning the left windage adjustment knob counterclockwise moves the point of impact to the right.
3. Turning the left windage adjustment knob clockwise moves the point of impact to the left.



Adjusting the Stock

Some models have a fixed stock that is not adjustable.

1. Squeeze the Adjustment Lever.
2. Slide the Stock together or apart to the desired length.
3. Release the Adjustment Lever.



Specifications

Model.....	M4-22 Magnum Elite
Caliber22 WMR
Action.....	Semi-Automatic
Magazine Capacity.....	10 or 15 cartridges
Standard Barrel Length.....	16" / 40.64 cm
Overall Length (stock extended).....	35.25" / 89.54 cm
Weight (standard model, without Magazine)	6.05 lbs. / 2.74 kg

Warranty and Repair Information

TIPPMANN ARMS CO. LLC ("Tippmann Arms") is dedicated to quality products and outstanding service. In the unlikely event of a problem with this Tippmann Arms firearm, Tippmann Arms' customer service personnel are available to assist you. For customer service and/or other information, please contact:

Tippmann Arms Co. LLC

2955 South Maplecrest Road
Fort Wayne, IN 46803
www.TippmannArms.com | toll free: 844-340-9317



Warranty Registration

To activate the Limited Warranty, you must register the firearm within thirty (30) days of the date of original retail sale by:

1. Registering online at www.TippmannArms.com/customer-service/ or
2. Completing the included warranty registration card and returning it to Tippmann Arms Co. LLC at the address provided.

Limited Lifetime Warranty

Tippmann Arms warrants to the original purchaser that it will make any repairs or replacements necessary to correct defects in material or workmanship, at no charge, from the date of original retail sale. All Tippmann Arms asks is that you properly maintain and care for the firearm ("Product") and that you have all warranty repairs performed by Tippmann Arms or a Tippmann Arms Certified Tech Center.

This Limited Lifetime Warranty is non-transferable, and it does not cover damage or defects to the Product caused by (a) improper maintenance; (b) alteration or modification; (c) unauthorized repair; (d) accident; (e) intentional abuse or misuse; (f) neglect or negligence; and/or (g) normal wear and tear.

Tippmann Arms does not authorize any person or representative to assume or grant any other warranty obligation with the sale of this Product.

THIS IS THE ONLY EXPRESS WARRANTY GIVEN WITH THE PURCHASE OF THIS PRODUCT; ANY AND ALL OTHER EXPRESS WARRANTIES ARE DISCLAIMED. THE IMPLIED WARRANTIES OF MERCHANTABILITY AND FITNESS FOR A PARTICULAR PURPOSE ARE LIMITED TO THE LIMITED LIFETIME WARRANTY SET FORTH HEREIN, AND ALL OTHER WARRANTIES, WHETHER EXPRESS OR IMPLIED, ARE DISCLAIMED AND SHALL NOT APPLY.

Some states and nations do not allow limitations on the duration of implied warranties, so the above limitation may not apply to you.

The sole and exclusive liability of Tippmann Arms and/or its authorized dealers under this Limited Lifetime Warranty shall be for the repair or replacement of any part or assembly determined to be defective in material or workmanship.

TIPPMANN ARMS SHALL NOT BE LIABLE FOR, AND YOU EXPRESSLY DISCLAIM, ANY DIRECT, INDIRECT, CONSEQUENTIAL, INCIDENTAL AND/OR PUNITIVE DAMAGES (COLLECTIVELY, "DAMAGES") ARISING OUT OF THE SALE OR USE OF, OR YOUR INABILITY TO USE, THE PRODUCT. NO PAYMENT OR OTHER COMPENSATION SHALL BE MADE FOR DAMAGES, INCLUDING INJURY TO PERSON OR PROPERTY OR LOSS OF REVENUE WHICH MIGHT BE INCURRED OR SUSTAINED BY REASON OF THE USE OR FAILURE OF THE PRODUCT AND/OR ITS PARTS OR ASSEMBLIES.

Some states and nations do not allow the exclusion or limitation of incidental or consequential damages, so the above limitation or exclusion may not apply to you.

This limited warranty gives you specific legal rights, and you may also have other rights that may vary from state to state or nation to nation.

Limited Warranty and Non-Warranty Repairs

Warranty claims should state the model and serial number of the Product concerned and the description of the difficulty experienced. It is recommended that shipments be insured by the owner, since Tippmann Arms Co. LLC will accept no responsibility for loss or damage during transit. Transportation and insurance charges for return to owner will be paid by Tippmann Arms Co. LLC if the claim is covered by the warranty. When shipping the product to Tippmann Arms for warranty or non-warranty repair:

- **Do not attempt to ship a firearm via US Postal Service; only federally licensed dealers may ship a firearm by US Postal Service.**
- **DO NOT SHIP ANY AMMUNITION.**
- Enclose a letter which includes your full name and address (no P.O. Boxes, please), daytime telephone number, e-mail address, the serial number of the Product, and details of the problem experienced (stating the brand and type of ammunition used when the problem occurred) or work desired.
- Record the serial number before shipping, in case you wish to check on the repair status of the Product.
- Please remove all custom parts and accessories, such as stocks, special sights and scopes, or slings from your Product before returning.
- Place the Product in its original case or in a similarly secure container and pack it securely.
- The package must NOT bear any markings which indicate the identity of the contents.

To ship the firearm to Tippmann Arms Co. LLC:

1. Always unload the Product and remove the magazine.
2. Ship the Product to the Tippmann Arms address identified.
3. You must pre-pay postage and delivery charges.
4. Provide the date of purchase for the Product. A copy of the purchase receipt is sufficient.
5. Briefly describe the repair requested.
6. Include your name, return address and a telephone number where you can be reached during normal business hours, if possible.

Tippmann Arms Co. LLC makes every effort to complete its repair work within twenty-four (24) hours of receipt. Tippmann Arms will return the Product to you via regular ground UPS. If you wish to have it returned using a faster service, you can request NEXT DAY AIR UPS OR SECOND DAY AIR UPS, but you will be charged for this service and must include your credit card number with the expiration date. Your credit card will be charged the difference in additional cost over regular ground shipping service.



Tippmann Arms™ Co. LLC

2955 SOUTH MAPLECREST ROAD
FT. WAYNE, IN 46803 USA

M4-22 Magnum Elite

Warranty Registration online at www.TippmannArms.com
or complete this warranty card and mail to Tippmann Arms Co. LLC.

Serial Number: _____

Purchased from _____ Date _____

City _____ State _____ Zip _____

Country _____

Your Name (print) _____ Age _____ Male Female

Address _____

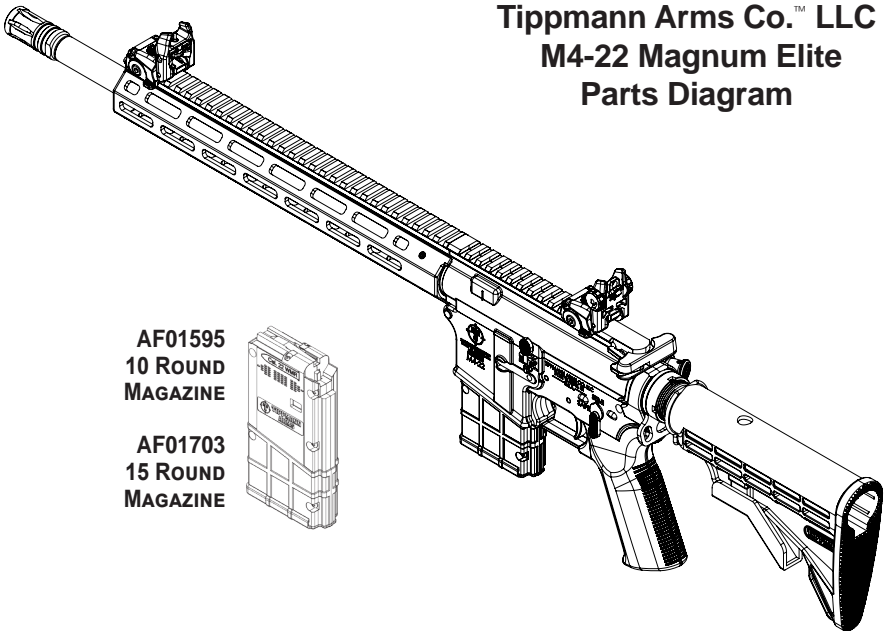
City _____ State _____ Zip _____

Country _____ Phone # _____

E-mail _____



Tippmann Arms Co.™ LLC M4-22 Magnum Elite Parts Diagram



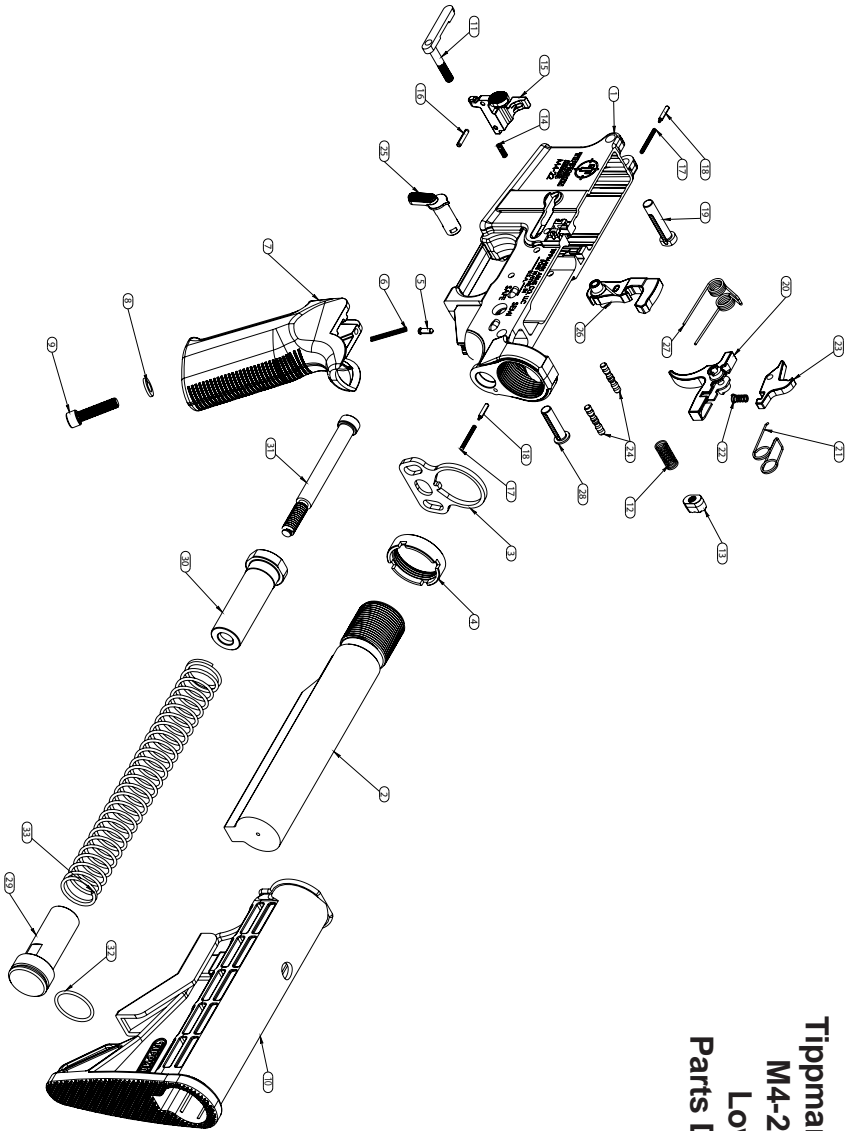
**AF01595
10 ROUND
MAGAZINE**

**AF01703
15 ROUND
MAGAZINE**



ITEM	PART NUMBER	DESCRIPTION	QTY
1	AF01601	LOWER RECEIVER, M4-22 GEN3	1
2	AF01119	BUFFER TUBE	1
3	AF01113	BUFFER TUBE LOCK SPACER	1
4	AF01114	BUFFER TUBE NUT	1
5	AF01552	PIN,SAFETY DETENT	1
6	AF01192	SPRING, COMP, 0.924" FL X 0.102" OD	1
7	AF01004	GRIP, M4 MIL SPEC - GEN2	1
8	AF01291	WASHER, M6	1
9	AF01069	SHCS, 1/4-28 UNE F X 1.0"	1
10	AF01220	ASM, COLLAPSIBLE BUTT STOCK COMPLETE	1
11	AF01357	MAGAZINE CATCH	1
12	AF01022	SPRING, COMP, 1.156" FL X 0.297" OD	1
13	AF01289	MAGAZINE CATCH BUTTON	1
14	AF01143	SPRING, COMP, 0.375" FL X 0.120" OD	1
15	AF01320	BOLT CATCH	1
16	AF01315	SPRING PIN, 0.375" FL X 0.094" OD	1
17	AF01128	SPRING, COMP, 0.780" FL X 0.084" OD	2

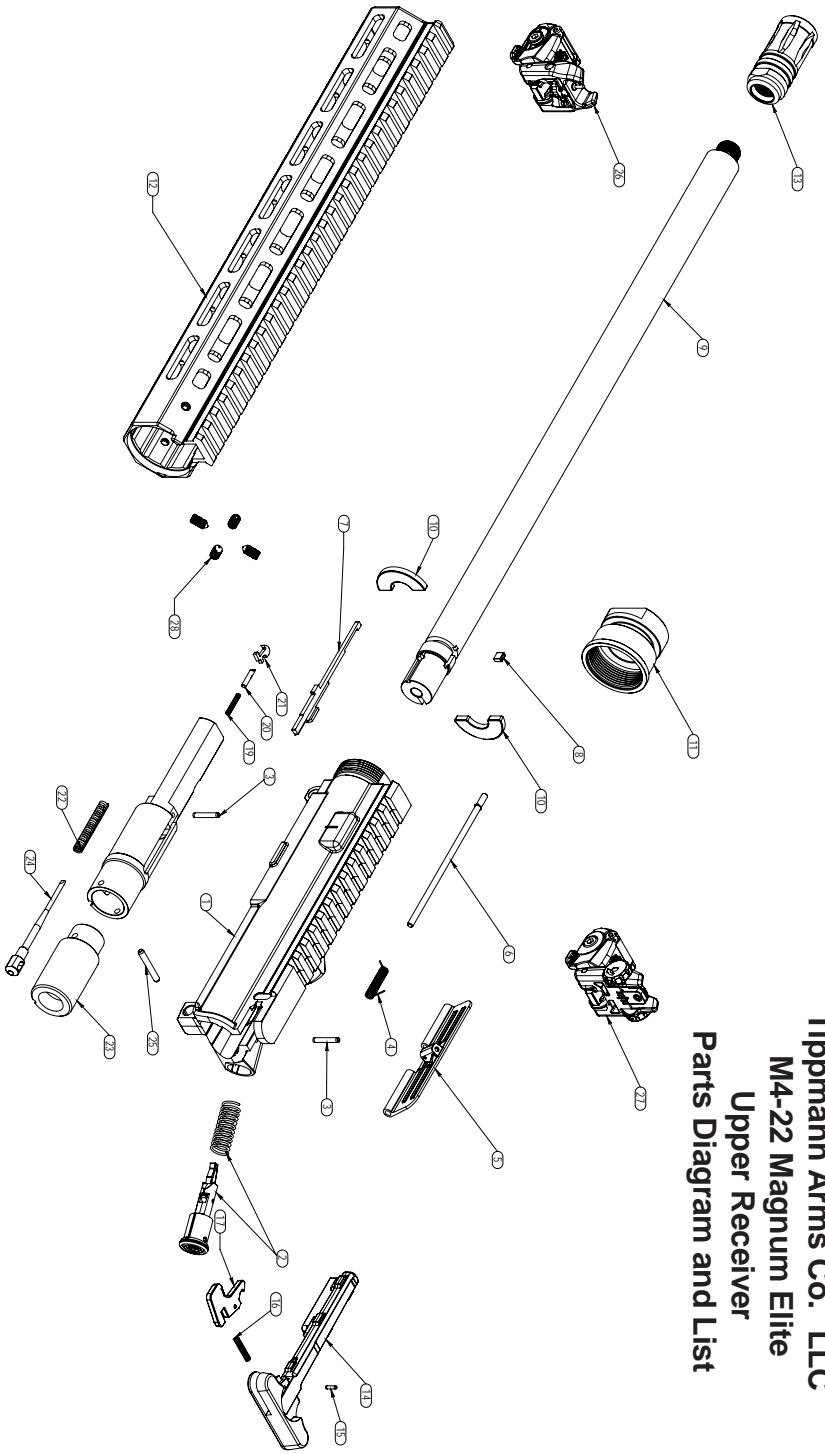
ITEM	PART NUMBER	DESCRIPTION	QTY
18	AF01551	PIN,DETENT	2
19	AF01538	PIVOT PIN , GEN3	1
20	AF01658	TRIGGER, WIDE DISCONNECTOR CUT	1
21	AF01313	SPRING - TRIGGER	1
22	AF01639	SPRING, WIDE DISCONNECT	1
23	AF01657	DISCONNECTOR, WIDE	1
24	AF01314	PIN, HAMMER AND TRIGGER	2
25	AF01284	SAFETY SELECTOR	1
26	AF01446	ASM, HAMMER WITH "J" SPRING, COMPLETE	1
27	AF01310	SPRING - HAMMER	1
28	AF01537	TAKE DOWN PIN, GEN3	1
29	AF01584	BUFFER REAR STOP, MAGNUM	1
30	AF01589	BUFFER, MAGNUM	1
31	AF01585	BUFFER GUIDE SHAFT, MAGNUM	1
32	AF01136	O-RING, Buna, 70A, 2.020	1
33	AF01359	SPRING, COMP, 7.375" FL X 0.912" OD	1



Tippmann Arms Co.™ LLC
M4-22 Magnum Elite
Lower Receiver
Parts Diagram and List

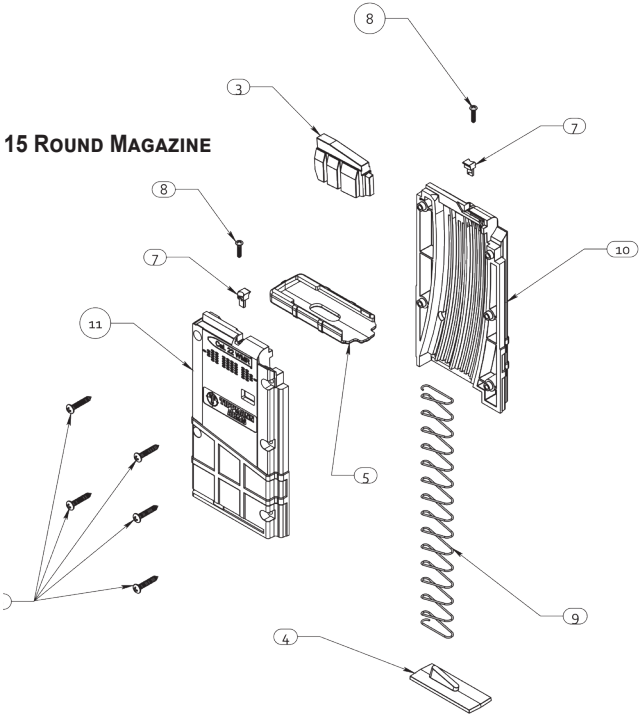
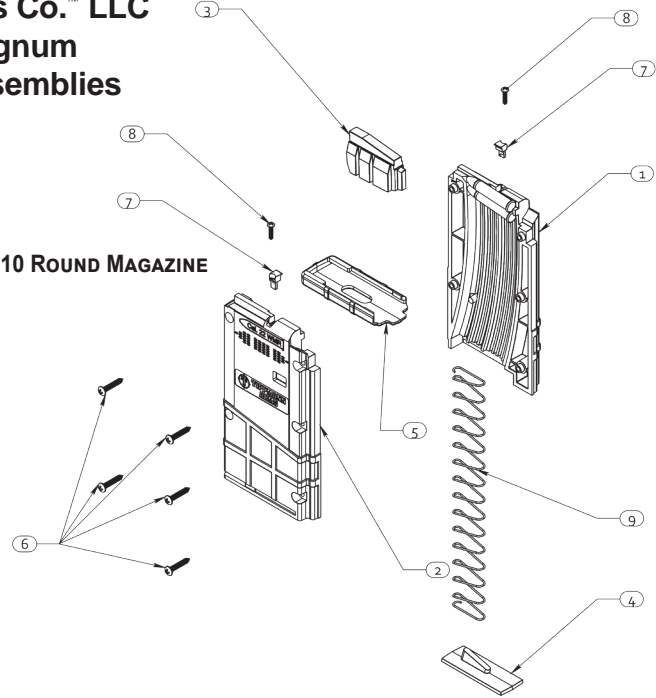
ITEM	PART NUMBER	DESCRIPTION	QTY
1	AF01586	UPPER RECEIVER, M4-22 MAGNUM	1
2	AF01428	ASM, FORWARD ASSIST COMPLETE	1
3	AF01145	SPRING PIN, 0.094" OD X 0.625" LONG	2
4	AF01025	SPRING, TORSION 0.134" ID X 0.685" LONG	1
5	AF01535	EJECTION PGRT COVER COMPLETE	1
6	AF01230	EJECTION PGRT COVER PIN, COMPLETE	1
7	AF01583	EJECTOR, MAGNUM	1
8	AF01179	BARREL ALIGNMENT KEY	1
9	AF01581	BARREL, 16", MAGNUM	1
10	AF01031	WASHER, SPLIT BARREL	2
11	AF01216	BARREL NUT - FREE FLOATING HAND GUARD	1
12	AF01215	FF-HANDGUARD, M4LOK ALUMINUM, 12"	1
13	AF01329	FLASH SUPPRESSOR	1

ITEM	PART NUMBER	DESCRIPTION	QTY
14	AF01590	CHARGING HANDLE, MAGNUM	1
15	AF01035	SPRING PIN, 0.087" OD X 0.280" L	1
16	AF01051	COMP. SPRING, 0.625" FL X 0.119" OD	1
17	AF01020	CHARGING HANDLE LATCH	1
18	AF01580	BOLT, MAGNUM	1
19	AF01324	COMP. SPRING, 0.6625" FL X 0.095" OD	1
20	AF01323	EXTRACTOR PIN	1
21	AF01322	EXTRACTOR	1
22	AF01331	COMP. SPRING, 1.628" FL X 0.20" OD	1
23	AF01591	BOLT WEIGHT, MAGNUM	1
24	AF01582	FRING PIN, MAGNUM	1
25	AF01145	SPRING PIN, 0.125" OD X 0.875" L	1
26	AF01234	ASM, FLIP UP SIGHT - FRONT	1
27	AF01235	ASM, FLIP UP SIGHT - REAR	1
28	AF01217	SET SCREW, #10-32 X 0.375" LONG CONE POINT	4



Tippmann Arms Co.™ LLC
M4-22 Magnum Elite
Upper Receiver
Parts Diagram and List

Tippmann Arms Co.™ LLC
M4-22 Magnum
Magazine Assemblies



Firearm Record

Tippmann Arms Model: _____

Serial Number: _____

Caliber: _____

Purchased From: _____

Date Purchased: _____

Purchase Price: _____

M4-22 Magnum 10 Rd. and 15 Rd. Magazine Assemblies Parts List

ITEM	PART NUMBER	DESCRIPTION	QTY
1	AF01599	MAGAZINE BODY RH SIDE, 22 MAGNUM, 10 ROUND	1
2	AF01598	MAGAZINE BODY LH SIDE, 22 MAGNUM, 10 ROUND	1
3	AF01597	FOLLOWER, MAGAZINE, 22 MAGNUM, 10/15	1
4	AF01596	LOCK, FLOOR PLATE, 22 MAGNUM, 10/15	1
5	AF01064	MAGAZINE SHELL CAP	1
6	AF01292	SCREW, #4 x 5/8"	5
7	AF01364	PIN, MAG EAR	2
8	AF01394	SCREW, PHILLIPS ROUNDED HEAD, #2 X 0.375"	2
9	AF01317	SPRING, MAGAZINE, 10 RD SHORT	1
10	AF01701	MAGAZINE BODY, RH SIDE, 22 MAGNUM, 15 ROUND	1
11	AF01702	MAGAZINE BODY, LH SIDE, 22 MAGNUM, 15 ROUND	1



THIS OWNER'S MANUAL SHOULD ALWAYS ACCOMPANY THIS FIREARM AND BE TRANSFERRED WITH IT UPON CHANGE OF OWNERSHIP, OR WHENEVER THE FIREARM IS LOANED OR GIVEN TO ANOTHER PERSON.

**Tippmann Arms Co. LLC
2955 South Maplecrest Road, Fort Wayne, IN 46803
www.TippmannArms.com | 844-340-9317 (toll free) | 260-245-6155**