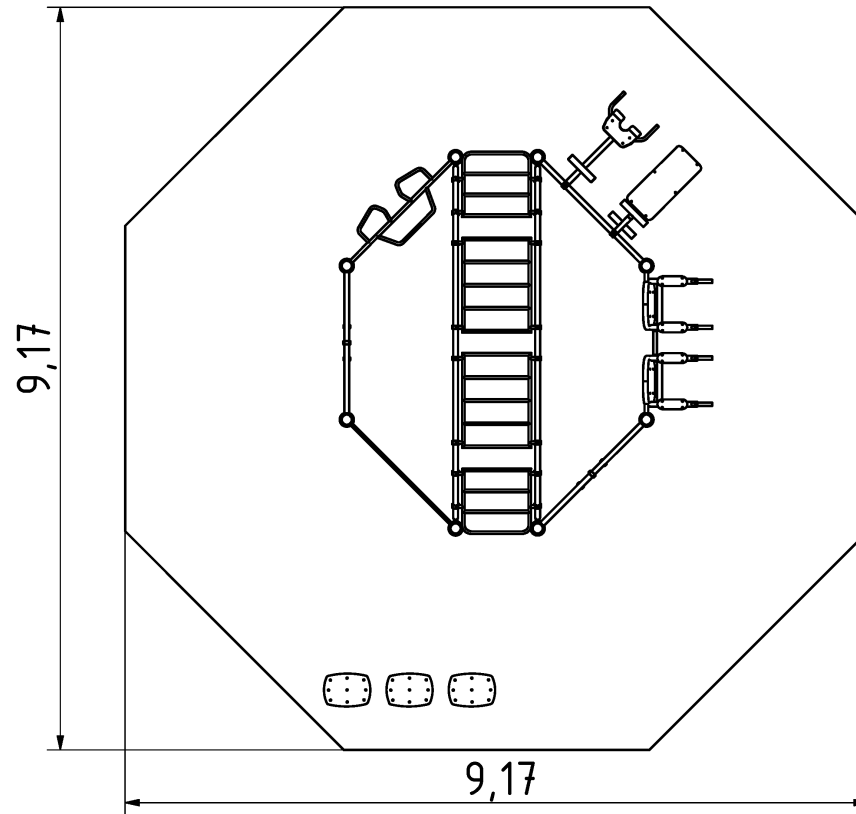


## FitSociety 2

Transform your public park into a fitness destination with FitSociety 2 Outdoor Fitness Park. Designed to inspire and engage, this remarkable outdoor facility is tailor-made for communities. With its diverse range of cutting-edge exercise equipment, FitSociety 2 empowers individuals to embark on their fitness journeys amidst the serenity of their community park, promoting overall well-being for all.

## Attributes

Product code	1-3-238
Certificate	EN 16630
Age group	14 + years
Designed for	Communities
Capacity	24 people
Fall height	1.6 m



## Technical specification

Anchoring option  
 Net weight  
 Material  
 Anti-corrosion possibility  
 Total Area  
 Color options  
 For more color options, discuss with your sales representative.

In-ground or surface  
 717 kg  
 S235  
 Galvanized or EPD  
 70 m<sup>2</sup>



## Warranty

Structure  
 Steel  
 Paint  
 Plastic  
 Rubber  
 Moving parts  
 Detailed information in the warranty document

25-15 years  
 5-10 years  
 2 years  
 5-10 years  
 1-3 years  
 2 years