



MUGA Goal End S

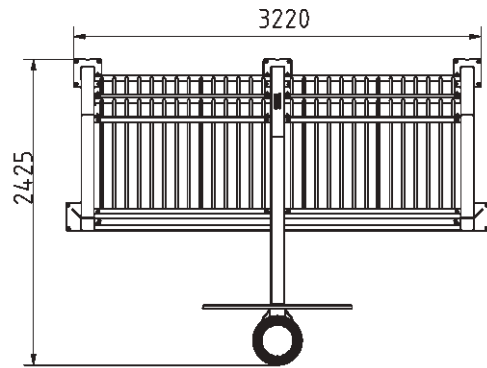
The vertical tubes are spaced closely together, ensuring that small balls like field hockey balls remain within the pitch constantly. We have achieved a highly vandal-proof structure by integrating the tubes into a steel frame, making it suitable for placement in any community. The transparent design allows spectators to easily follow the game. The goal size regulations of FIFA Futsal and IHF Handball. The basketball hoop is positioned at the official NBA height.

Attributes

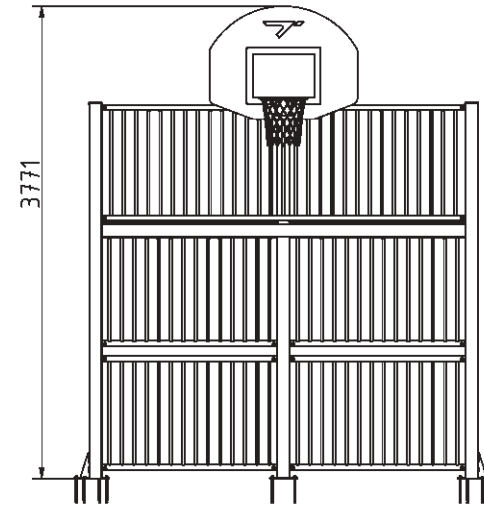
Product code
Construction
Age group
Type

4-3-004
Based on EN 15312 norms
3 + years
MUGA Accessories

Plan View



Front View



Technical specification

Anchoring option
 Net weight
 Material
 Anti-corrosion possibility
 Fence height
 Color options

Surface mounted
 425 kg
 S235
 Galvanized or EPD
 3000 mm



For more color options, discuss with your sales representative.

Warranty

Structure
 Steel
 Paint
 Plastic
 Rubber
 Moving parts

Detailed information in the warranty document

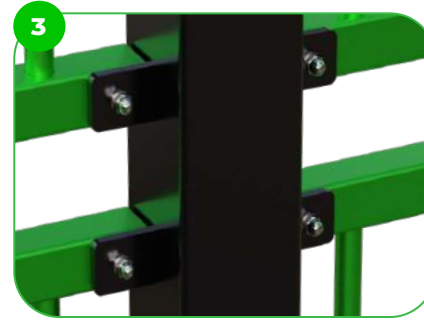
25-15 years
 5-10 years
 2 years
 5-10 years
 1-3 years
 2 years



Our basketball hoops are designed with a curved shape, available in white color, and coated with weather-resistant fiberglass plastic. The basketball hoop is positioned at the official NBA height.



The MUGA goals adhere to the official size regulations set by FIFA Futsal and IHF Handball. These goals are designed to meet the specific dimensions required for these sports, ensuring a professional playing experience. Whether it's Futsal or Handball, these MUGA goals provide the perfect setup for competitive matches and training sessions.



The MUGA is made of high-quality S235 steel, featuring vandal-proof stainless steel screws and nuts. It undergoes sandblasting for cleaning and receives a corrosion-resistant powder coating finish. Additionally, a galvanized surface option is available for enhanced protection and longevity.



Our MUGA features reinforced base plates fixed to a concrete base, ensuring stability and durability. This design can withstand intense sports activities, maintaining its structural integrity due to the solid foundation provided by the concrete base and the added strength of the reinforced base plates.

BESTSTRONG

 [beststrongworld](#)  [beststrongworld](#)  [global.beststrong.com](#)  info@beststrong.com



Sport and fitness products are compliant with the EN15312 and ASTM Standards.