

INTEC INTERNAL BOILERS

MANUFACTURED BY:

 IMMERGAS

- Stainless steel condensing heat exchanger
- 1:5 Modulation Rate
- IPX5D electrical safety
- Built in Frost Protection
- Grundfos 7m Pump Module
- Factory fitted plug and electrical lead
- Solar compatible
- Intelligent Management Interface
- Dedicated "secure" floor heating parameter
- 3 Years Parts & Labour Warranty
- FREE upgrade to 5 Year warranty if you purchase a premier pack
- 10 Years Manufacturers Heat exchanger warranty

5 YEAR*
WARRANTY



MODELS

InTec 12kW System
InTec 30kW System

MEASUREMENTS

720 (H) x 440 (W) x 300 (D) mm



ARCTIC
Melbourne Pty. Ltd.

CAR V2

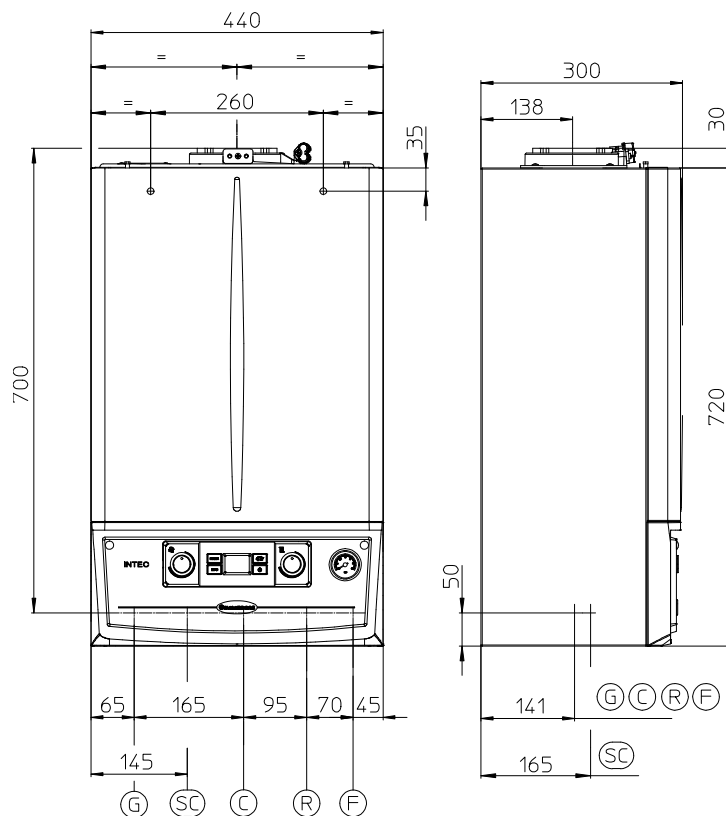


EXTERNAL SENSOR



SAI GLOBAL

		Intec 12 System	Intec 30 System
Nominal heat input HEATING (NG/LPG)	MJ/h (kW)	49.2 (12.3)	121.6 (30.4)
Minimum heat input HEATING (NG/LPG)	MJ/h (kW)	9.8 (2.5)	23.6 (5.9)
Nominal heat output HEATING (NG/LPG)	kW	12.0	30.0
Minimum heat output HEATING (NG/LPG)	kW	2.3	5.7
Efficiency 80/60 Nom./Min.	%	97.4/93.5	98.6/96.7
Efficiency 50/30 Nom./Min.	%	107.0/102.7	108.0/105.9
Efficiency 40/30 Nom./Min.	%	107.1/107.1	109.0/106.0
Heat loss at casing with burner On/Off	%	0.3/0.88	0.2/0.48
Central heating circuit max. operating temperature	°C	90	90
Adjustable central heating temperature	°C	20 - 85	20 - 85
System expansion vessel total volume	l	8.0	8.0
Expansion vessel factory-set pressure	bar	1	1
Water content in generator	l	2.65	2.30
Available head at 1000 l/h flow rate	kPa (m H ₂ O)	17.1 (1.7)	26.4 (2.7)
Weight of full boiler	kg	35.65	41.1
Weight of empty boiler	kg	33.0	38.8
Electrical connection	V/Hz	230/50	230/50
Electrical protection index		IPX5D	IPX5D
Standard frost protection	°C	-5	-5



Key:

- G - Gas supply
- R - Return
- F - Flow
- SC - Condensate drain
(minimum internal diameter Ø13 mm)
- C - Cold fill

Height (mm)	Width (mm)	Depth (mm)
750	440	300
CONNECT IONS		
COLD INLET	GAS	SYSTEM
C	G	R F
1/2"	3/4"	3/4" 3/4"