

C-SERIES C30,000

The multi-directional forklift designed for the safe, space saving and productive handling of long and bulky loads.

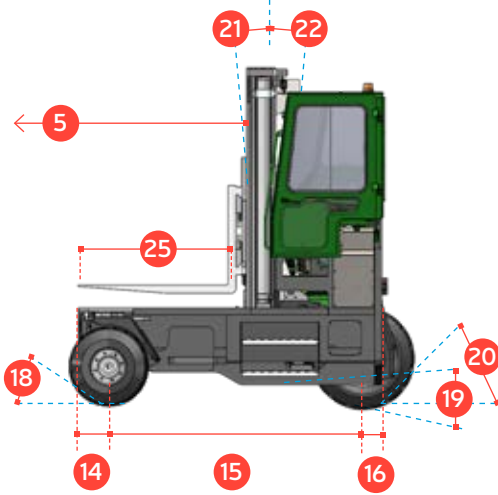
COMBILIFT

LIFTING INNOVATION

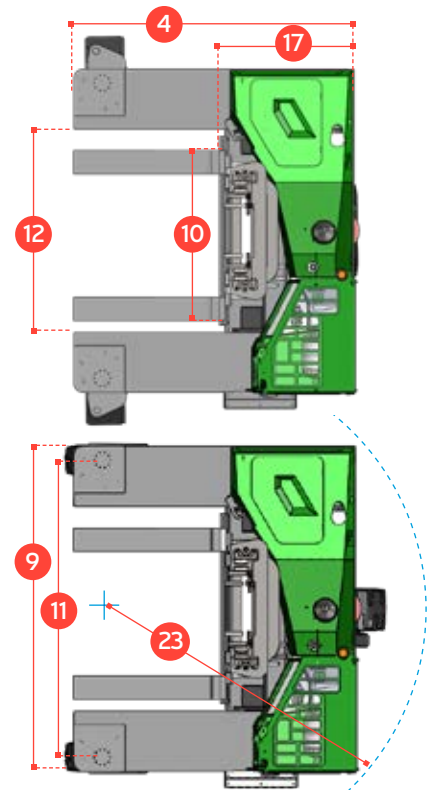
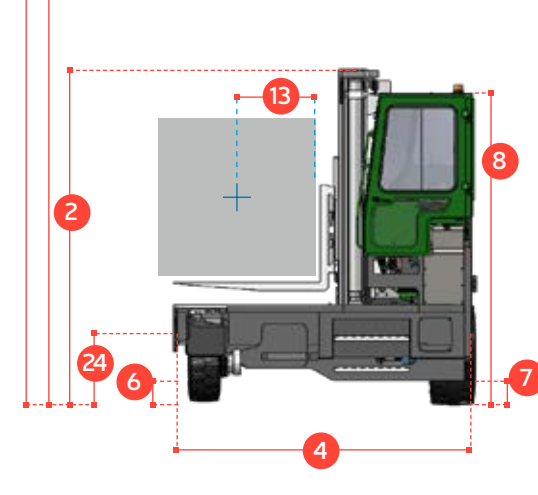


C-SERIES C30,000

FRONTAL MODE



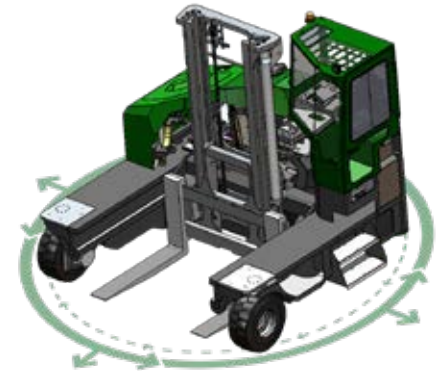
SI DEWARD MODE



REF.	DESCRIPTION	STANDARD
1a	Max. Lift Height	161½"
1b	Freelift Height	0"
2	Height Mast Closed	136"
3	Max. (Mast raised)	228¼"
4	Overall Length	119¾"
5	Mast Travel	65"
6	Ground Clearance Under Mast	12"
7	Ground Clearance to Center of Wheelbase	13"
8	Height Over Cab (Without work lights)	125"
9	Width	138¼"
10	Outside Spread of Fork Arms	80¾"
11	Track Front	125½"
12	Frame Opening	87"
13	Load Center Distance	24"
14	Overhang Front	12"
15	Wheelbase	100½"
16	Overhang Back	7¼"
17	Length From Face of Fork	61"
18	Approach Angle	45°
19	Ramp Angle	29°
20	Departure Angle	45°
21	Forward Tilt	4°
22	Backward Tilt	8°
23	Minimum Outside Radius	128"
24	Platform Height	38½"
25	Platform Length	58¾"

A	Capacity	30,000 lbs
B	Unladen Weight	36,500 lbs
C	Maximum Ground Speed	9 mph
D	Gradeability	15%
E	John Deere 4045 Diesel Engine	125 HP
F	Electrics	12 Volt
G	Fork Section	2½" x 10" x 58¾"
H	400 / 60 – 15 Front Tire	OD 32½" / Width 13"
I	465 / 55 - 20 Rear Tire	OD 40" / Width 18"
J	Standard Color	Green & Gray
K	Suspension Seat	KAB Model 116

Multi-Directional



Features Include:

- Rubber Mounted Half Open Cabin
- Multi-Direction Operation
- 3 Wheel Hydrostatic Drive
- Load Sensing Steering
- 4 Way Lever Positioning of Wheels
- Hydraulic Oil Cooler

Distributed by:

European Patent No. 2167416; Brazilian Patent No. P10811954-6; Australian Patent No. 2008253242

COMBILIFT HAS A POLICY OF CONTINUOUS PRODUCT DEVELOPMENT AND RESERVES THE RIGHT TO ALTER SPECIFICATIONS WITHOUT PRIOR NOTICE. SPECIFICATIONS AND/OR DIMENSIONS MAY VARY FROM THOSE ILLUSTRATED IN SOME COUNTRIES.

303 CONCORD STREET,
GREENSBORO,
NORTH CAROLINA 27406

TOLL FREE: 1-877 COMBI 56
TEL: 336-378-8884
INFO@COMBILIFT.COM

combilift.com

