

Technical Specifications

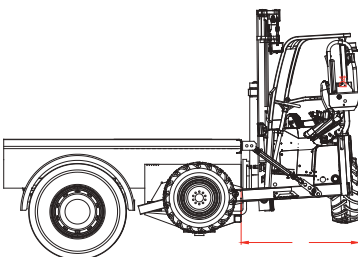
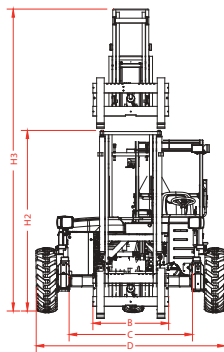
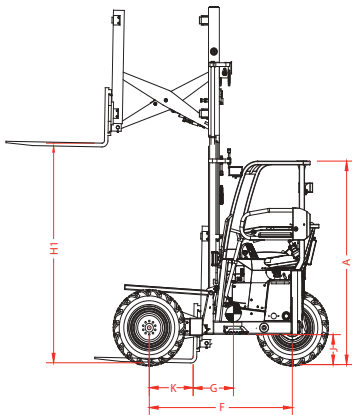
Princeton PB45 STM



PRINCETON
DELIVERY SYSTEMS®



Princeton PB45 STM Technical Specifications



	Model	PB45 STM - Low Profile	PB45 STM
	TYPE	STM	STM
1	CAPACITY @ 24" LOAD CENTER	4500 lbs	4500 lbs
2	DIESEL ENGINE	25 HP	25 HP
3	ENGINE EMISSION COMPLIANCE	EPA Tier4 Final	EPA Tier4 Final
4	MAXIMUM RPM	3000 RPM	3000 RPM
5	ELECTRICAL SYSTEM	12 Volt	12 Volt
6	DRIVE WHEELS	3	3
7	STEERING	Hydrostatic	Hydrostatic
8	TIRE TYPE	26 x 12 - 12 8-Ply (TG)	29 x 12.5 - 15 8-Ply (TG)
		26 x 12 - 12 8-Ply (TG)	29 x 12.5 - 15 8-Ply (TG)
9	TIRE OUTSIDE DIAMETER	26"	29"
10	TIRE WIDTH	12"	12.5"
11	MAXIMUM SPEED	7 mph	7.5 mph
12	MAXIMUM GRADABILITY	30%	30%
13	TURNING RADIUS	77"	77"
14	UNLADEN WEIGHT	4290 lbs	4420 lbs
14a	UNLADEN WEIGHT (OPTIONAL)	N/A	4520 lbs
15	WORKING PRESSURE (ATTACHMENTS)	2500 psi	2500 psi
16	TILT OF MAST (FORWARD/BACKWARD)	8° / 7°	8° / 7°
17	SIDESHIFT	5.5"	5.5"
18	FORK SECTION	48 x 4 x 1.75"	48 x 4 x 1.75"
19	REACH (STM)	39.25"	39.25"
A	HEIGHT TO TOP OF CANOPY	82.5"	84"
B	FORK CARRIAGE WIDTH (CLASS)	47.25" (III)	47.25" (III)
C	FRAME OPENING	63.5"	63.5"
D	OVERALL WIDTH	97.25"	96.5"
E	OVERHANG	52.5"	52.5"
F	WHEELBASE	63.75"	63.75"
G	CENTER OF GRAVITY (FROM FORK FACE)	14.5"	14.5"
H1	LIFT HEIGHT	86.5"	120"
H2	MAST HEIGHT - COLLAPSED	80"	96.5"
H3	MAST HEIGHT - RAISED	144"	178"
H1a	LIFT HEIGHT	N/A	144"
H2a	MAST HEIGHT - COLLAPSED	N/A	107"
H3a	MAST HEIGHT - RAISED	N/A	202"
J	GROUND CLEARANCE	10"	11.5"
K	FACE OF FORK TO CENTER OF FRONT TIRE	19"	19"
L	ANSI STANDARD	B56.6	B56.6

The above specifications are not binding upon the manufacturer and may be changed without prior notice.

Weights may vary, depending on tire and/or fork options

For more information, contact your local PiggyBack Dealer



Princeton Delivery Systems
 12233 Williams Road
 Perrysburg, OH 43551 USA
 tel 1.800.331.5851
www.piggy-back.com

A Part of the Hiab Group
 V2017.10.20

