



ROX
MINING PARTS 



UNDERGROUND MACHINE PARTS

2026 ROX Underground Machine Products

January 2026 Release

CAT | Epiroc | Sandvik | Volvo | Elphinstone



 www.bendtechgroup.com.au

BUILT BETTER 

A NEW ERA HAS ARRIVED



BRAND DNA

ROX Mining Parts is a division of the Bend-tech Group dedicated to the supply of Open cut and Underground machine replacement parts. ROX is committed to eliminating downtime, improving performance, and increasing longevity of parts through innovation. The ROX team has been restructured with customer experience in mind and with dedicated supporting departments such as research and development, engineering, and logistics, the ROX division is poised to transform mining parts supply.

ROX

A riff on the substrate mobile equipment mine (*Rocks*). Combined with the animal the Aurochs or Ox for its characteristics in defence, agility, and protection.

AUROCHS / OX

Representing the strengths of the division and the parts we supply the Aurochs is known as an agile, athletic, and strong animal capable of defending themselves against predators such as wolves.

BRAND STORY

We are excited to introduce our reimagined identity – a transformation born from our unwavering commitment to provide even greater value to our customers and a realisation that our provision of OEM replacement parts division has become much more than just a business unit. Our journey began with a simple idea, and today, that idea is evolving into a brand-new experience that reflects our dedication to innovation, quality, minimising downtime, and customer experience.

THE ORIGINS

Every great journey has its origins. What has become ROX today started in the late 2000's when we began supplying OEM replacement handrails for Underground machines. This quickly evolved into supplying more handrails, then more parts. Which then evolved into servicing the Open cut machine market, supplying components such as handrails, fenders and guards, platform modules and fuel tanks. Through the years, we've remained dedicated to serving our customers, adapting to their needs, and leveraging new technologies to improve their experience.

THE VISION

Our new identity is not just a logo or a name – it's a reflection and commitment of our vision for the future. We envision a world where all our customers' required parts are stocked, downtime is eliminated, parts are innovated and improved, and we are the relied upon supplier for mining equipment replacement parts. This vision is the driving force behind every decision we've made in shaping our rebrand.

THE PROMISE

Our promise to you remains unchanged. Just as we've stood by your side in the past, we will continue to be your trusted partner on this journey of sustained value and minimising downtime. Our commitment to all parts being stocked, downtime eliminated, innovated parts and improved performance, and becoming the relied upon supplier for mining equipment replacement part supply remains steadfast, serving as the bedrock of our rebrand and the road ahead.

THE EVOLUTION

As time passed, the division continued to grow both in parts and services provided as well as our human resources and supporting divisions such a research and development (R&D). We realised that providing what the industry needs and mitigating customer pain points meant embracing change. Our rebrand is the result of an evolution – a transformational process that has seen us listen to your feedback, learn from our experiences, and begin a journey towards continued innovation to create something even more exceptional.

THE BENEFITS

Our rebrand isn't just for us – it's for you. We've reimagined our service with you in mind, with the mission of creating an experience that is more streamlined, innovative, and dedicated than ever before. With our new identity, we're poised to elevate your experience and empower you like never before. With a restructured team, more robust R&D, and a new, dedicated website in the works we are poised to deliver the best service in the industry.

CONCLUSION

In closing, we're excited to embark on this new chapter with you. Our rebrand of our OEM Replacement Parts division is more than a new name, new colours, or new logo – it's a testament to our dedication to continuous improvement, innovation, and growth. Thank you for being a part of our story so far, and we look forward to the exciting journey ahead, hand in hand.

CONTENTS

CAT MACHINE PARTS

R1300G Loader	4
R1600G / H Loader	6
R1700G Loader	9
R1700K Loader	18
R2900 / R3000 Loader	24
R2900XE Loader	41
AD30 Truck	48
AD45 Truck	53
AD55 Truck	59
AD60 Truck	65
AD63 Truck	72

EPIROC MACHINE PARTS

MT2010 Truck	78
MT42 Truck	81
MT 5020 / MT 6020 Truck	84
MT54 / MT65 Truck	90
ST1030 Loader	101
ST14 Loader	104
Simba E7 Drill	107
Smart 6M Drill Frames	108

SANDVIK MACHINE PARTS

LH307 Loader	110
LH514 Loader	115
LH517 Loader	119
LH517i Loader	125
LH621 Loader	137
LH621i Loader	147
TH540 / TH550 Truck	156
TH545i Truck	159
TH551 / 551i Trucks	162
TH663/ 663i Trucks	163
Rhino R100H	175
DL421 Drill	180
DD421 Drill	182
DD432i / DD422i	187

VOLVO MACHINE PARTS

L120F Wheel Loader	188
--------------------	-----

ELPHINSTONE MACHINE PARTS

WR810 Water Cannon	191
--------------------	-----



**CAT
R1300G LOADER**



ELIMINATING DOWNTIME, MAXIMISING EFFICIENCY.





Part No. 5601052 (LH)
OEM No. 186-9281,
241-6998, 237-8351 and
237-8342

Part No. 5601053 (RH)
OEM No. 186-9282

CAT R1300G FIXED FRONT FENDERS

Direct OEM replacement for CAT R1300G front fenders.

Features:

- Heavy-duty steel construction
- Hi-spec surface treatment in CAT Yellow over a primary zinc coating for enhanced protection
- Precision manufactured for fast fit up to your machine
- Protects the wheel and surrounding components

CATERPILLAR UNDERGROUND RECOVERY HOOK

Part No. 5602282

Welded to the rear of CAT underground loaders to provide tow assistance when required.

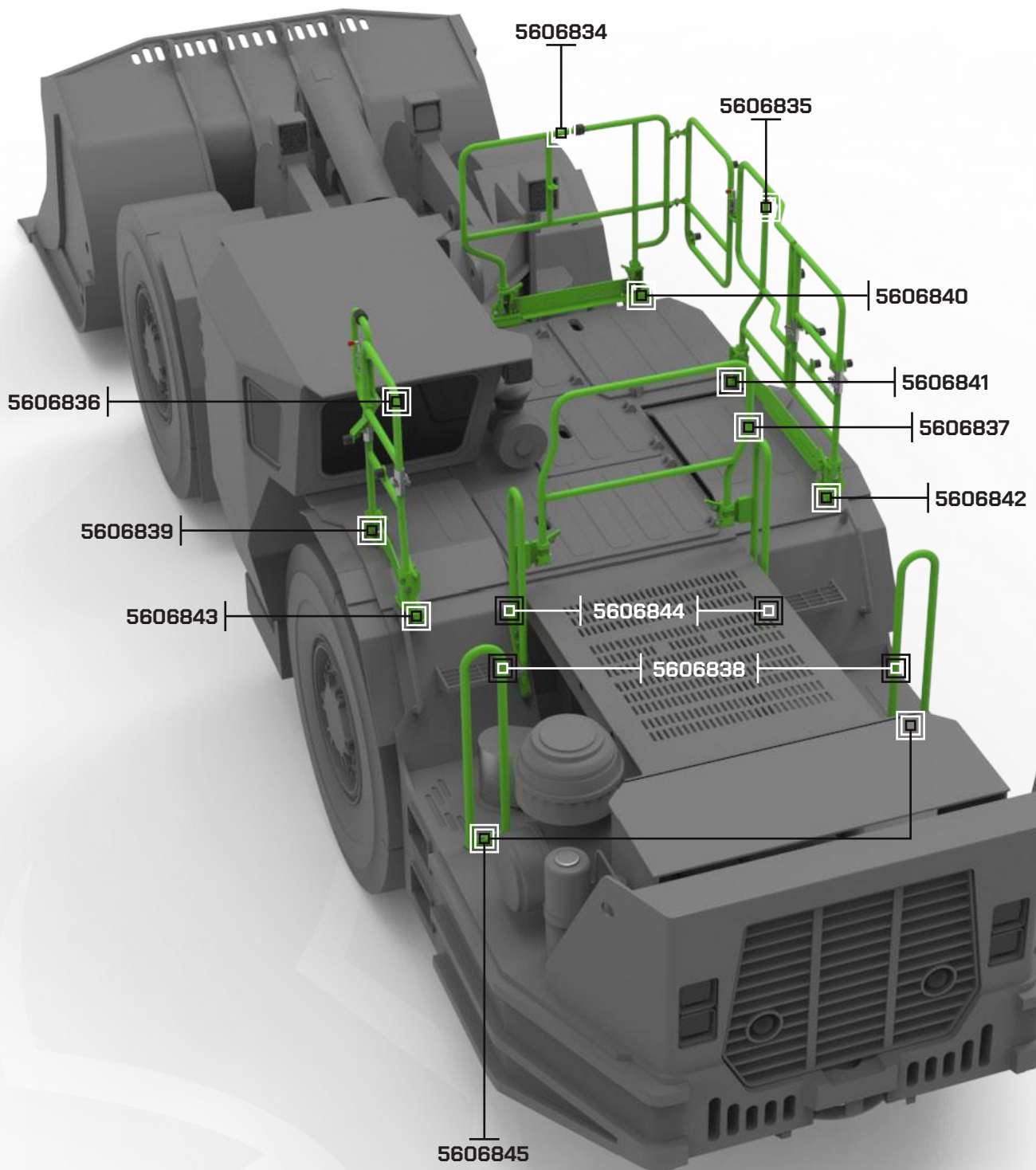
Features:

- No paint or powder used for ease of welding/fitment
- Heavy-duty steel construction

CAT
R1600G/H LOADER

ELIMINATING DOWNTIME, MAXIMISING EFFICIENCY.







Handrail Front
Part: 5606834



Handrail RH
Part: 5606835



Handrail LH
Part: 5606836



Handrail Middle
Part: 5606837



Handrail RH Rear *[2 Required]*
Part: 5606838



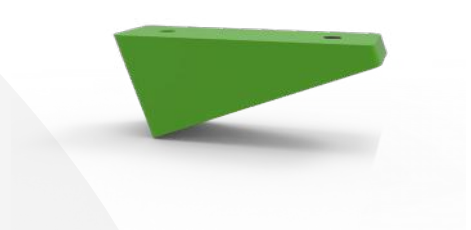
Mount Plate 1 *[2 Required]*
Part: 5606839



Mount Plate 2 *[1 Required]*
Part: 5606840



Mount Plate 3 *[1 Required]*
Part: 5606841



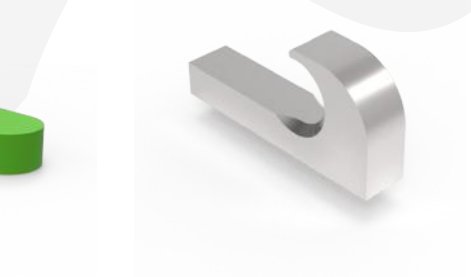
Mount Plate 4 *[1 Required]*
Part: 5606842



Mount Plate 5 *[1 Req.]*
Part: 5606843



Mount Plate 6 *[2 Req.]*
Part: 5606844



Mount Plate 7 *[2 Req.]*
Part: 5606845



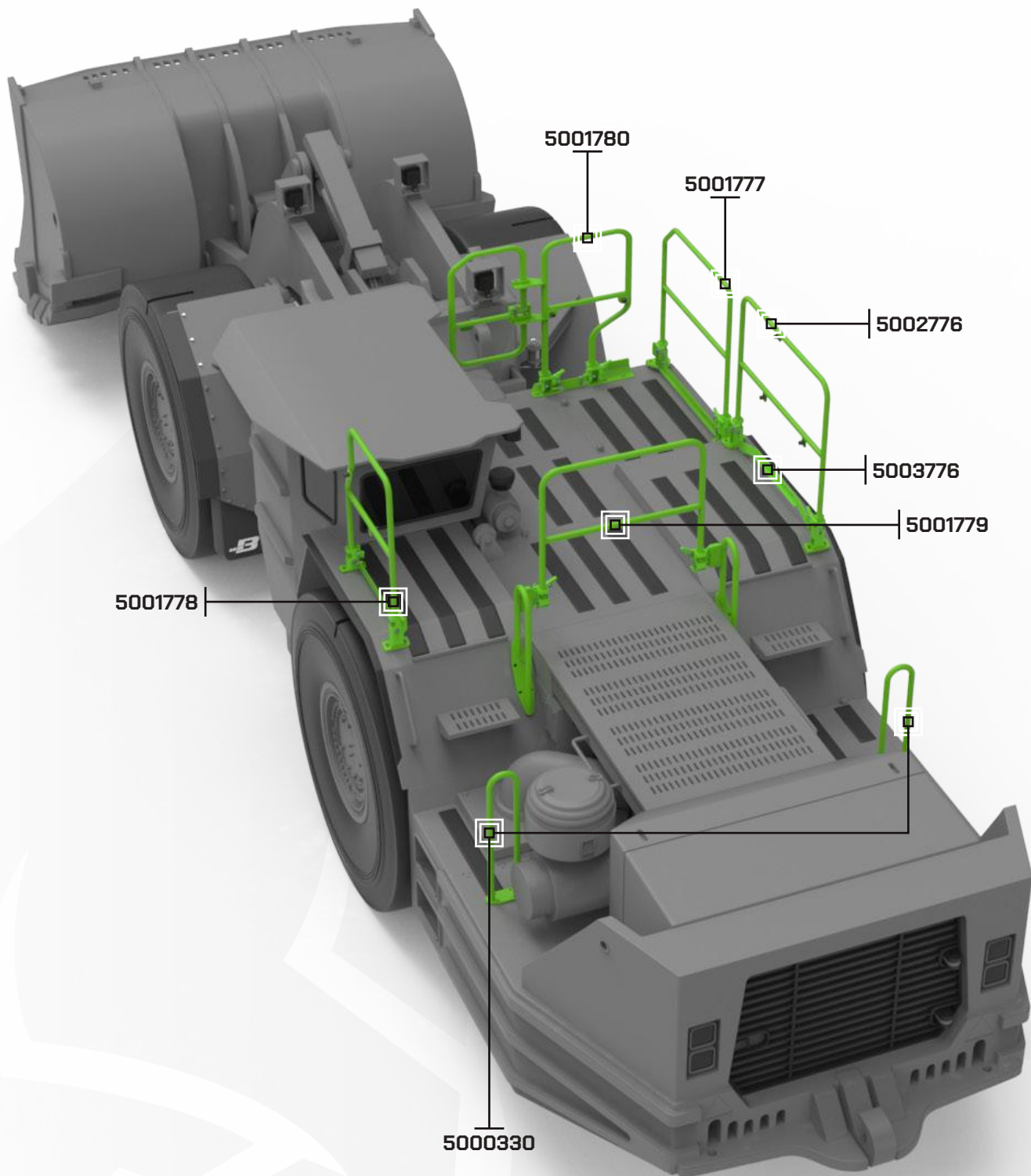
Recovery Hook 5602282
Easy welding/fitment

CAT R1700G LOADER



ELIMINATING DOWNTIME, MAXIMISING EFFICIENCY.







Handrail 5001777

OEM No. 453-8707 (OLD 318-7892)



Handrail 5002776

OEM No. 453-8708 (OLD 318-7901)



Handrail 5001778

OEM No. 453-8698 (OLD 318-7896)



Handrail 5001779 *(Mounts Included)*

OEM No. 453-8709 (OLD 318-7885)



Handrail 5001780

OEM No. 453-8706 (OLD 318-7853)



Handrail 5000330 *(2 Required)*

OEM No. 230-9812



Handrail 5003776

OEM No. 311-5486

CAT R1700G HANDRAIL STORAGE RACK

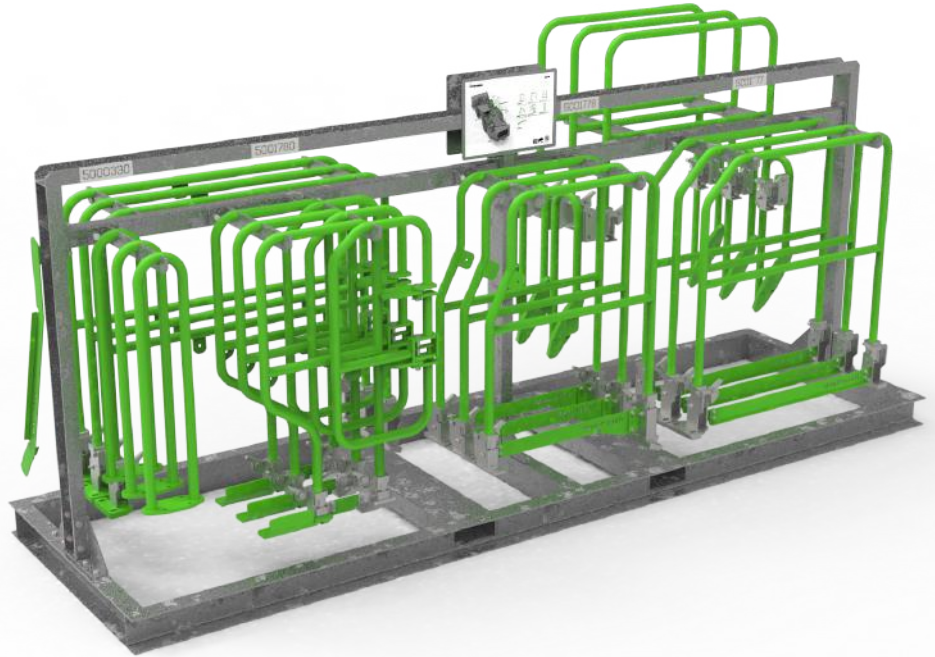
Part No. 5504255

Suits Bend-tech's OEM replacement handrails. Certified and compliant with Australian Standards.

This handrail storage rack allows sites to access replacement handrails quickly and easily, without waiting for freight.

Features:

- Heavy-duty steel construction
- Heavy-duty hot dip galvanised finish
- All required signage incorporated
- Rack capacity: 3 complete sets
- Forklift slots
- Handrails not included



Includes:

- Carabiners
- Tether point
- Retractable fall arrest block



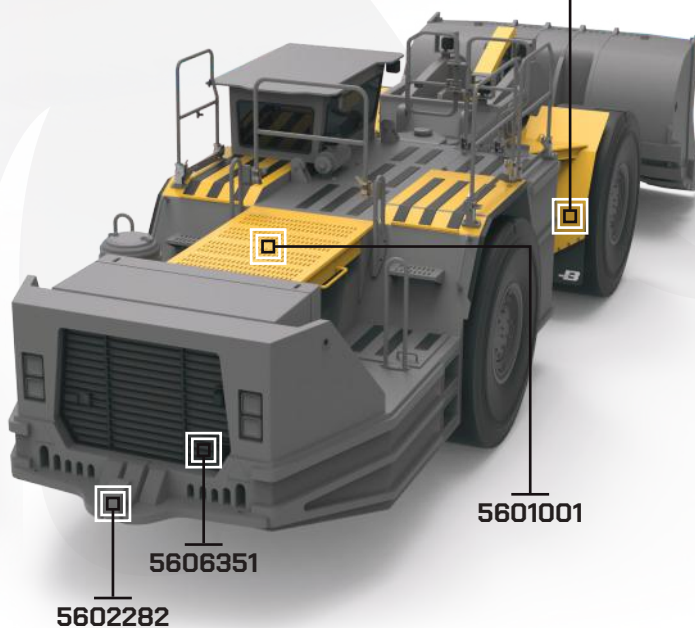
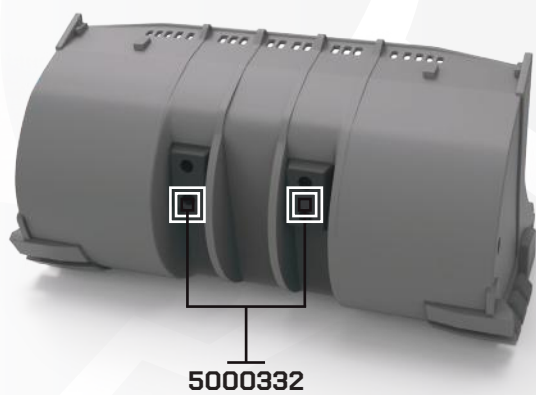
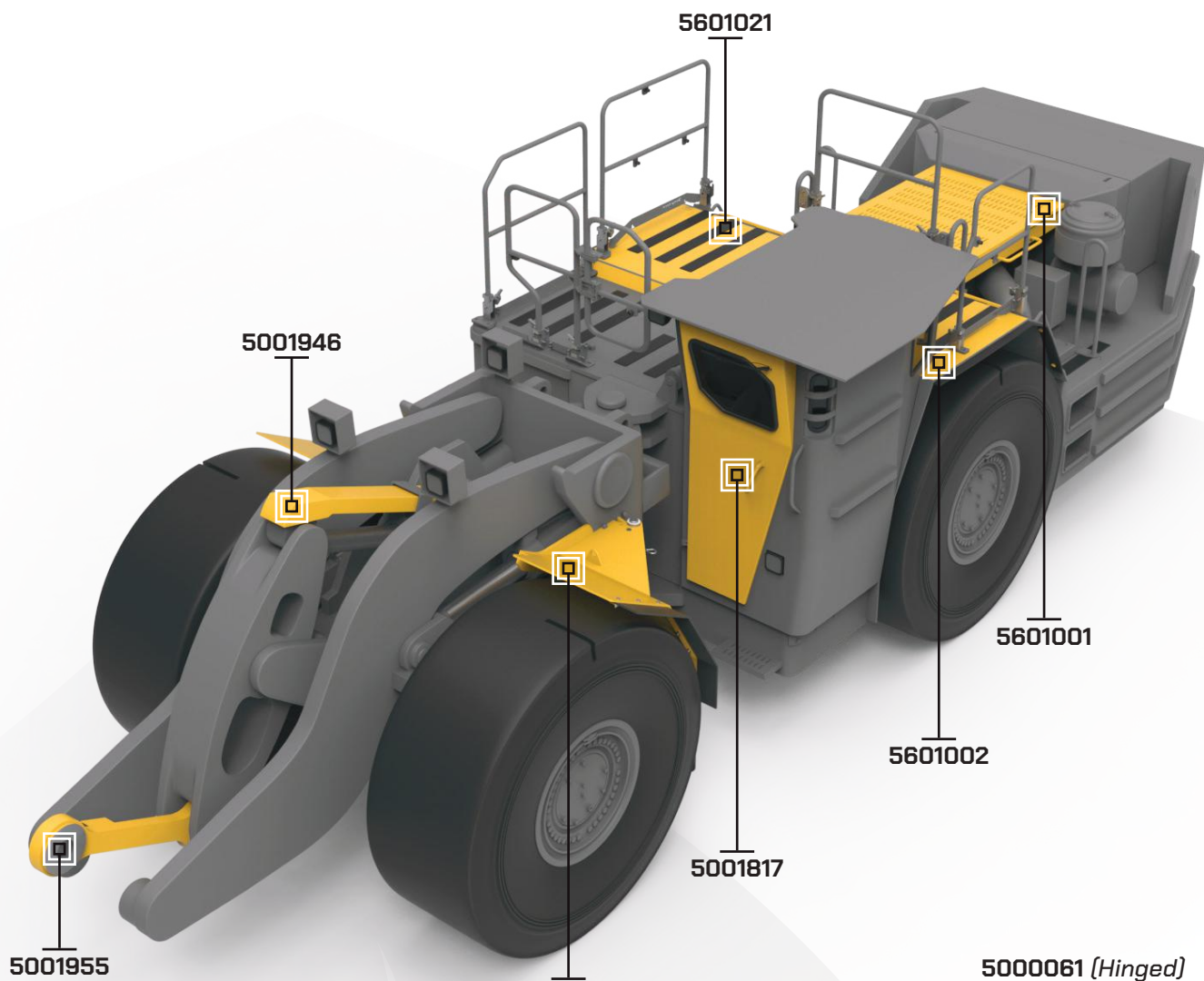
CAT R1700G FALL ARRESTOR TETHER KIT

Part No. 5504908

A solution to provide operators/fitters with a tethering kit which they could lock onto, while erecting the handrails on the machine.

Features:

- Tether kit is pre-rated to arrest the fall of an operator.
- Tether mechanism locks when sudden movement is detected (e.g. losing balance), preventing tripping and/or falling from machine.
- Uses existing bolts/fittings on the roof and engineered and certified brackets for retractable fall arrest tethers to attach to.
- Suits R1600 & R1700G/K



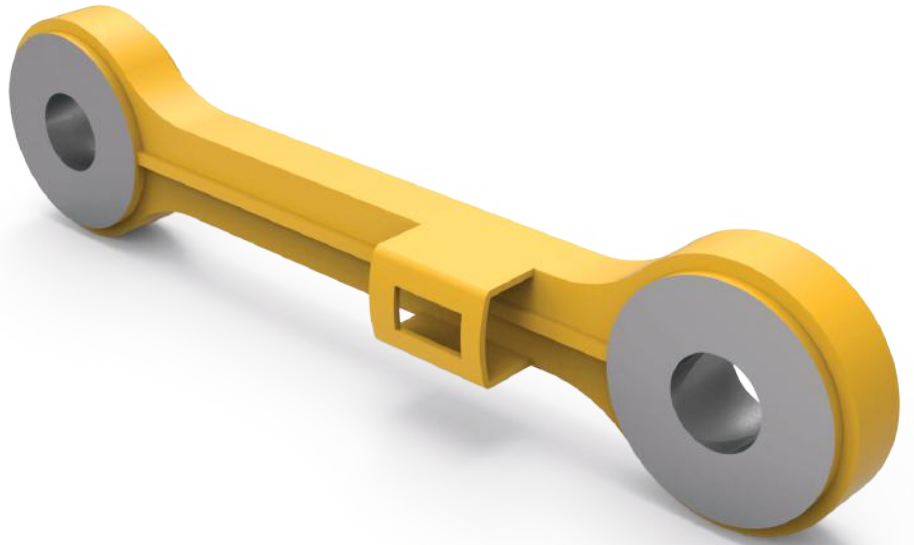
**CAT R1700G
DOG BONE / TILT LINK**

Part No. 5001955

ROX's dog bone components are precision manufactured and machined from high tensile steel, with hardened and ground bushes. Replaces OEM No. 186-9866.

Features:

- Grease channel machined into the dog bone body
- Direct OEM replacement
- Supplied in enclosed transport crate
- Supplied with seals and bushes



**CAT R1700G
DOOR**

Part No. 5001817

To suit CAT R1700G Machines.
Replaces OEM No. 291-0662

Features:

- Heavy duty construction
- Precision manufactured for fast fit up to your machine

CAT R1700G HINGED FENDERS

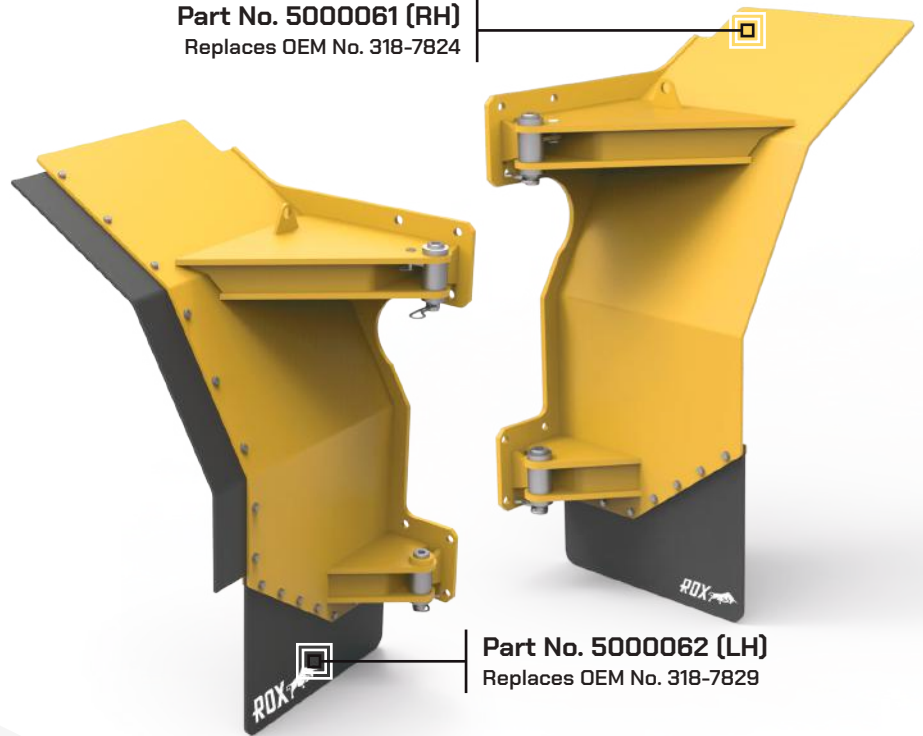
Part No. 5000061 (RH) / 5000062 (LH)

Made to suit CAT R1700G Loaders, our fender acts as a wheel guard and is designed to withstand the harshest underground mining environments.

Features:

- Heavy duty hinged folding system
- Double pin design to eliminate sagging
- Eliminates requirement to remove fender access components positioned behind the fender Tilt Link
- Suitable for use with tyre chains

Part No. 5000061 (RH)
Replaces OEM No. 318-7824



Part No. 5000062 (LH)
Replaces OEM No. 318-7829

Part No. 5600173 (RH)
Replaces OEM No. 318-7824



Part No. 5600174 (LH)
Replaces OEM No. 318-7829

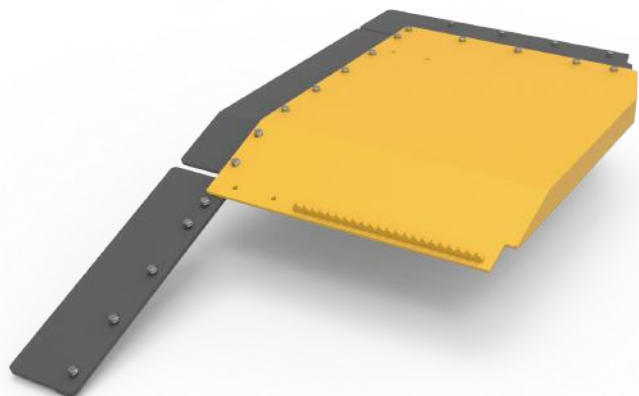
CAT R1700G FIXED FENDERS

Part No. 5600173 (RH) / 5600174 (LH)

Direct OEM replacement for CAT R1700G Fenders.

Features:

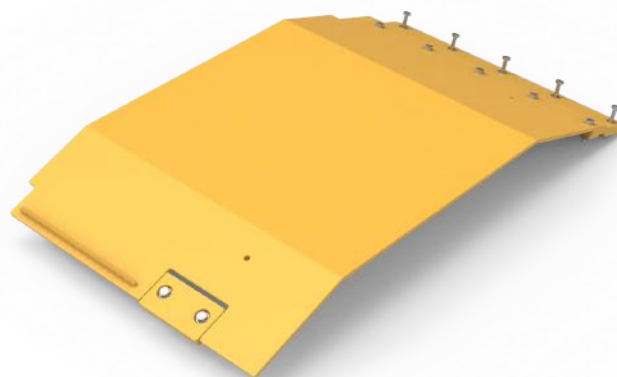
- Heavy duty steel construction
- Hi-spec surface treatment in CAT Yellow over a primary zinc coating for enhanced protection
- Precision manufactured for fast fit up to your machine
- Protects the wheel and surrounding components



CAT R1700G REAR FENDER LH

Part No. 5601021

OEM No. 307-1038, 307-0988



CAT R1700G REAR FENDER RH

Part No. 5601002

OEM No. 307-1038, 307-0989

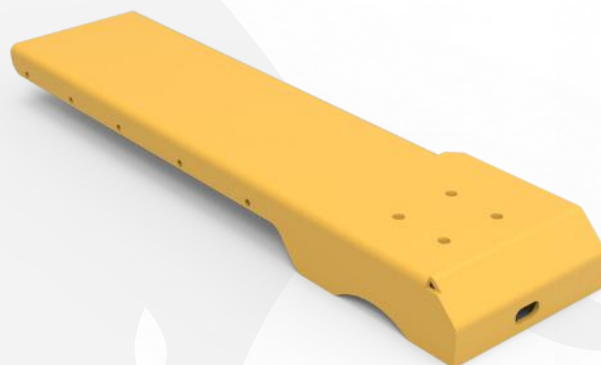


CAT R1700G REAR DECK HOOD

Part No. 5601001

OEM No. 284-6132

• Includes mount (OEM No. 291-2291)



CAT R1700G TILT CYLINDER GUARD

Part No. 5001946

OEM No. 199-5816

CAT R1700G REAR RADIATOR GRILLE

Part No. 5606351

OEM No. 291-6362

Direct OEM replacement for CAT R1700G
Rear Radiator Grille.

Features:

- Includes locking pin latch and hinges



**CATERPILLAR UNDERGROUND
RECOVERY HOOK**

Part No. 5602282

Welded to the rear of CAT underground loaders to provide
tow assistance when required.

Features:

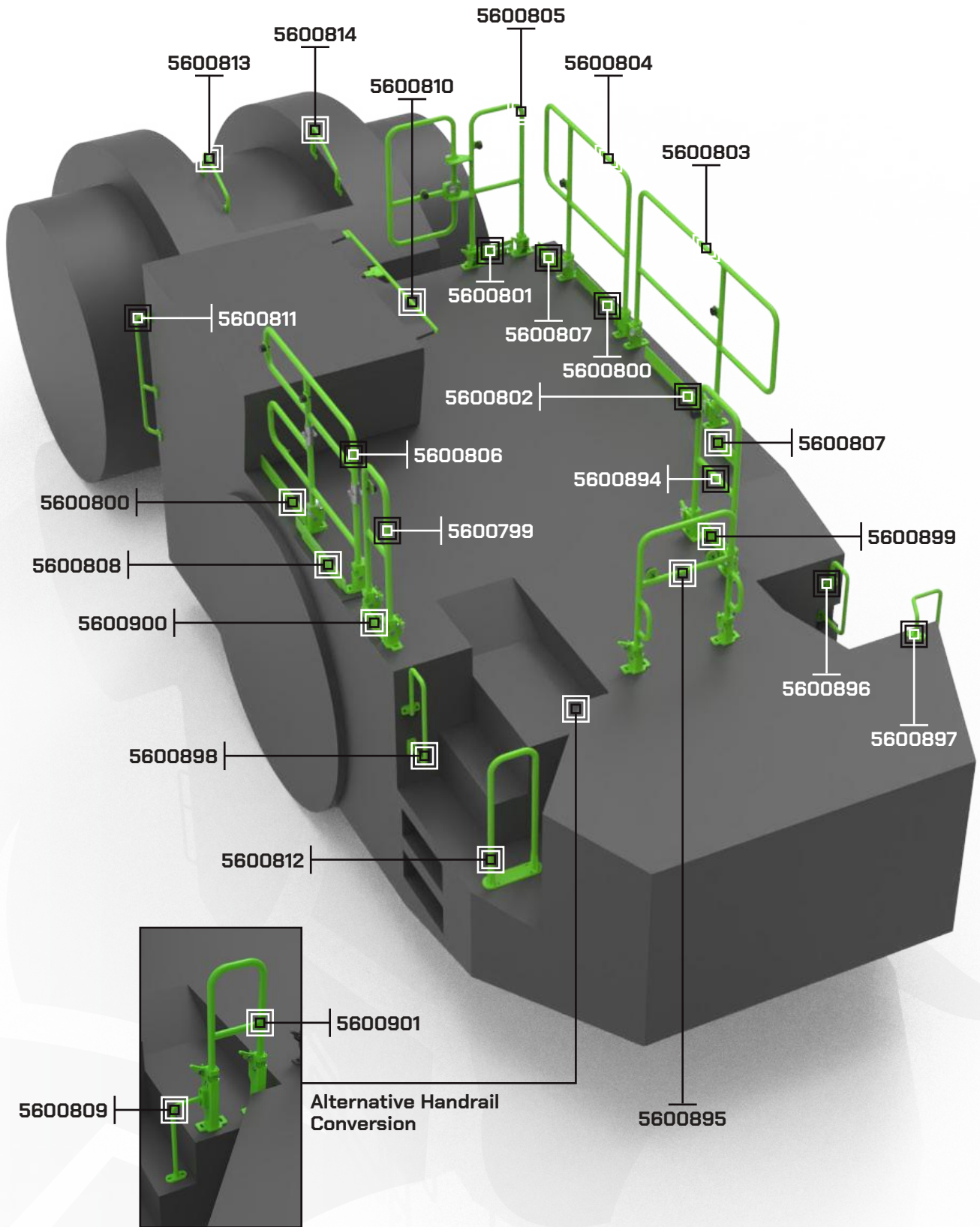
- No paint or powder used for ease of welding/fitment
- Heavy-duty steel construction

**CAT
R1700K LOADER**



ELIMINATING DOWNTIME, MAXIMISING EFFICIENCY.







Handrail 5600803

OEM No. 490-1803



Handrail 5600804

OEM No. 490-1922



Handrail 5600805

OEM No. 490-1943



Handrail 5600806

OEM No. 490-1956



Handrail 5600799

OEM No. 490-6166



Handrail 5600810

OEM No. 485-2326



Handrail 5600811

OEM No. 485-2333



Handrail 5600894

OEM No. 490-1932



Handrail 5600895

OEM No. 490-1974



Grabrail 5600812

OEM No. 492-3186



Grabrail 5600813

OEM No. 522-3441



Grabrail 5600814

OEM No. 522-0713



Grabrail 5600818
OEM No. 485-2334



Grabrail 5600896
OEM No. 490-7000



Grabrail 5600897
OEM No. 490-7004



Grabrail 5600898
OEM No. 492-3184



Kickplate 5600800 *[2 Required]*
OEM No. 489-9199



Kickplate 5600801
OEM No. 490-1955



Kickplate 5600802
OEM No. 490-1982



Kickplate 5600807 *[2 Req]*
OEM No. 490-1984



Kickplate 5600808
OEM No. 552-8478



Handrail 5600809
OEM No. 522-8184



Kickplate 5600899
OEM No. 552-8398



Kickplate 5600900
OEM No. 552-9744



Handrail 5600901
OEM No. 551-0868



Recovery Hook 5602282



Part No. 5601033 (RH)
OEM No. 488-2514

Part No. 5601034 (LH)
OEM No. 489-8999

CAT R1700K FIXED FENDERS

Part No. 5601033 (RH) / 5601034 (LH)

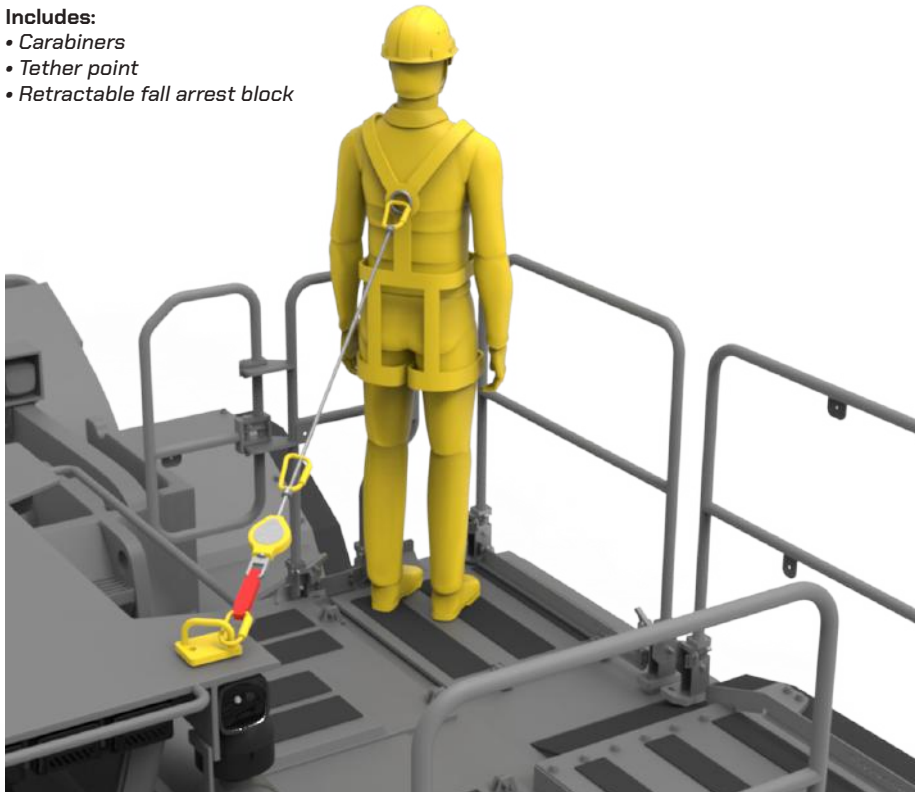
Direct OEM replacement for CAT R1700K Fenders.

Features:

- Heavy duty steel construction
- Hi-spec surface treatment in CAT Yellow over a primary zinc coating for enhanced protection
- Precision manufactured for fast fit up to your machine
- Protects the wheel and surrounding components
- Supplied with mud flaps

Includes:

- Carabiners
- Tether point
- Retractable fall arrest block



CAT R1700K FALL ARRESTOR TETHER KIT

Part No. 5504908

A solution to provide operators/fitters with a tethering kit which they could lock onto, while erecting the handrails on the machine.

Features:

- Tether kit is pre-rated to arrest the fall of an operator.
- Tether mechanism locks when sudden movement is detected (e.g. losing balance), preventing tripping and/or falling from machine.
- Uses existing bolts/fittings on the roof and engineered and certified brackets for retractable fall arrest tethers to attach to.
- Suits R1600 & R1700K/G

CAT R1700K RADIATOR GRILLE

Part No. 5601003

OEM No. 484-1610 and 467-1784

Direct OEM replacement for CAT R1700K Radiator Grille.

Features:

- Includes locking pin latch and hinges

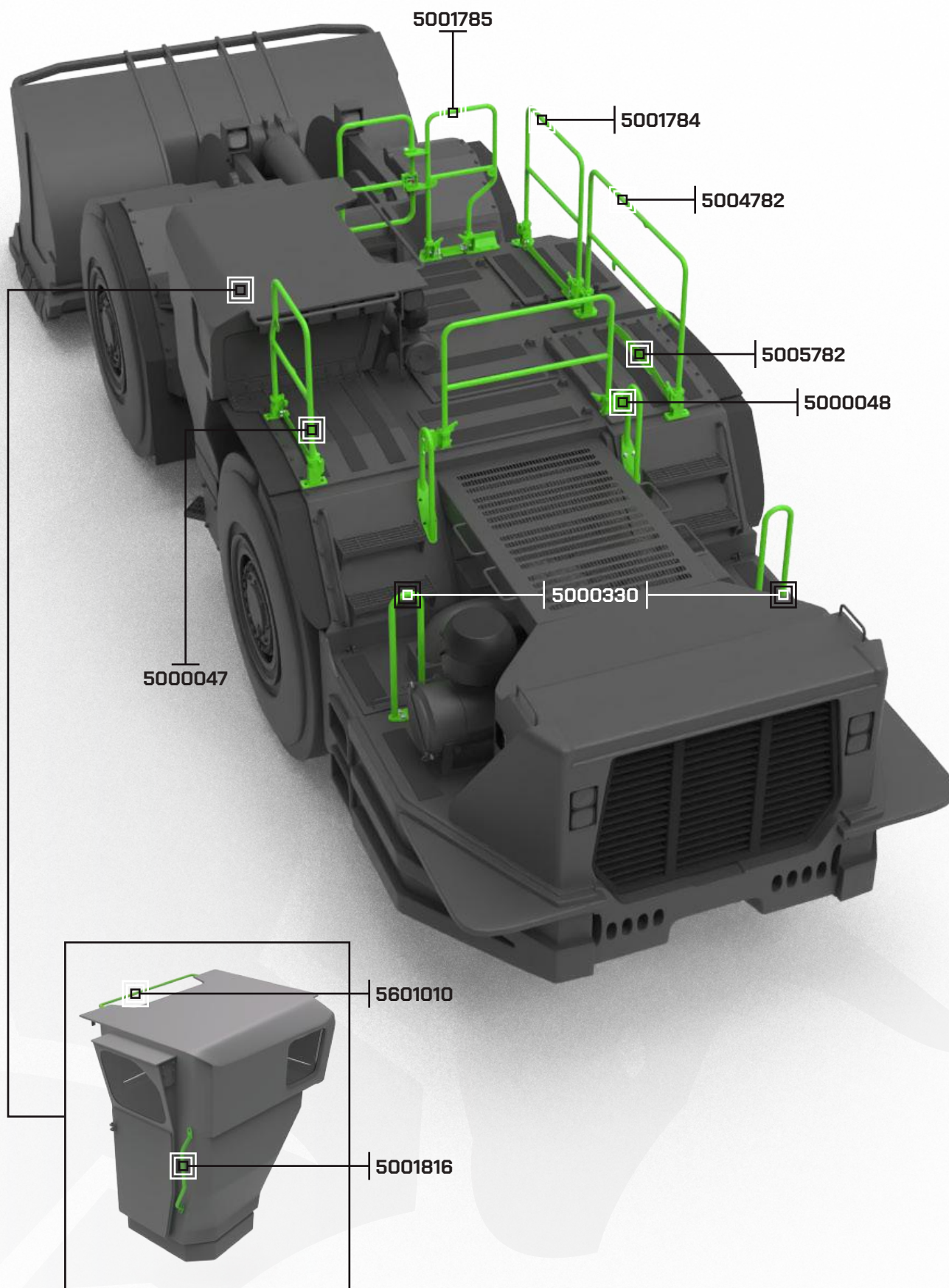


CAT
R2900G / R3000H LOADER



ELIMINATING DOWNTIME, MAXIMISING EFFICIENCY.







Handrail 5004782

OEM No. 453-8703 (OLD 321-4739)



Handrail 5000047

OEM No. 453-8705 (OLD 321-4745)



Handrail 5000048 *(Inc. Mounts)*

OEM No. 453-8704 (OLD 321-4753)



Handrail 5001784

OEM No. 453-8702 (OLD 321-4758)



Handrail 5001785

OEM No. 453-8701 (OLD 321-4767)



Handrail 5000048M *(Inc. Mounts)*

Accommodates RCT Camera



Cab Handrail 5001816

OEM No. 250-0931



Handrail 5000330 *(2 Required)*

OEM No. 230-9812



Kickplate 5005782

OEM No. 321-4764



Cab Handrail 5601010

OEM No. 250-0929

CAT R2900G / R3000H HANDRAIL STORAGE RACK

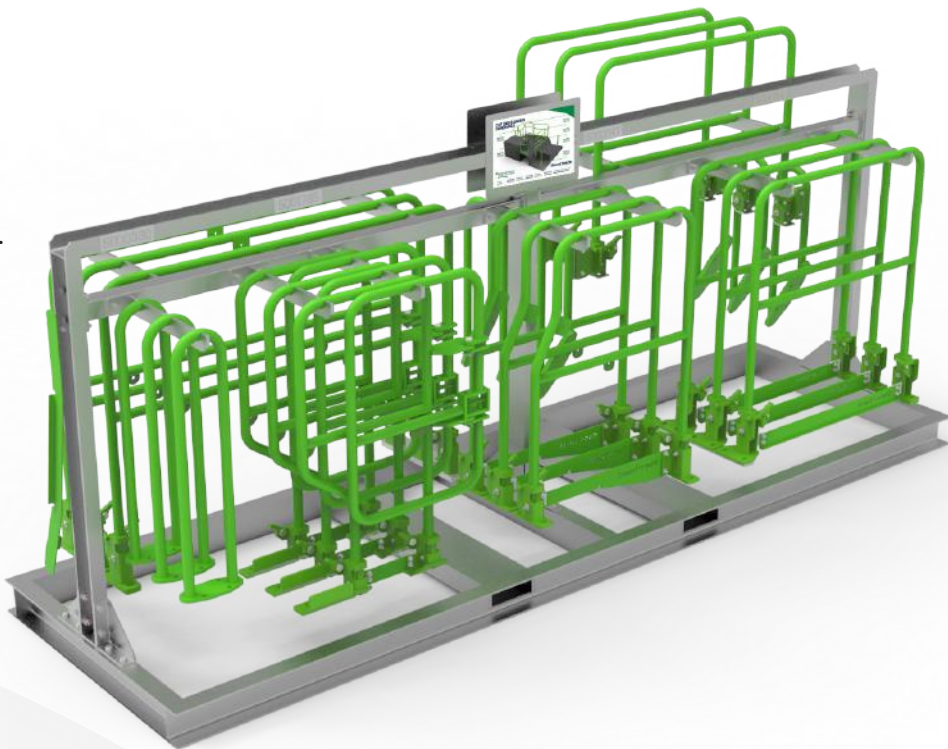
Part No. 5502944

Suits ROX's OEM replacement handrails. Certified and compliant with Australian Standards.

This handrail storage rack allows sites to access replacement handrails quickly and easily, without waiting for freight.

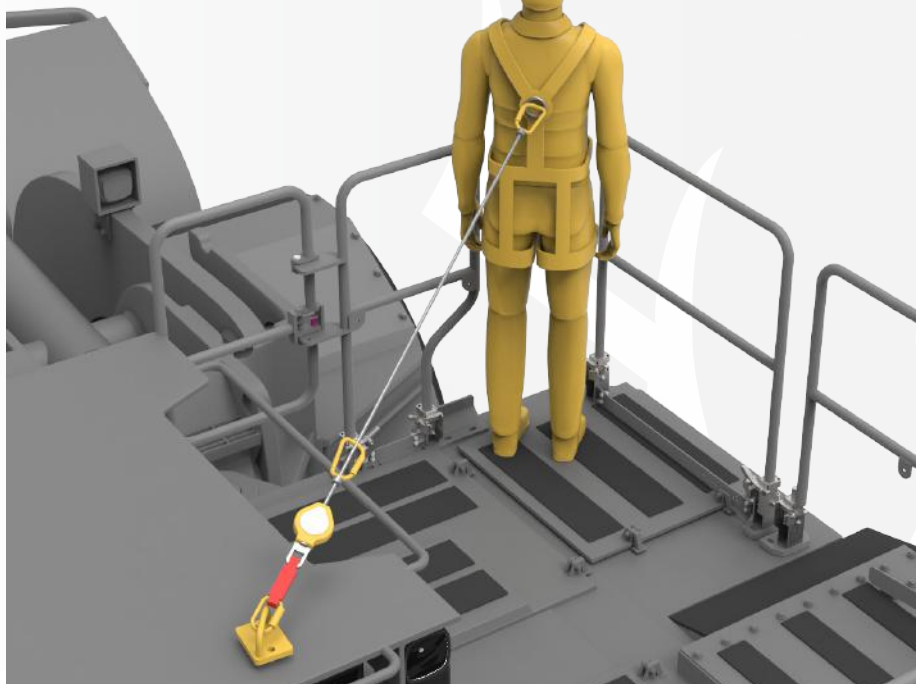
Features:

- Heavy duty steel construction
- Heavy-duty hot dip galvanised finish
- All required signage incorporated
- Rack capacity: 3 complete sets
- Forklift slots
- Handrails not included



Includes:

- Carabiners
- Tether point
- Retractable fall arrest block



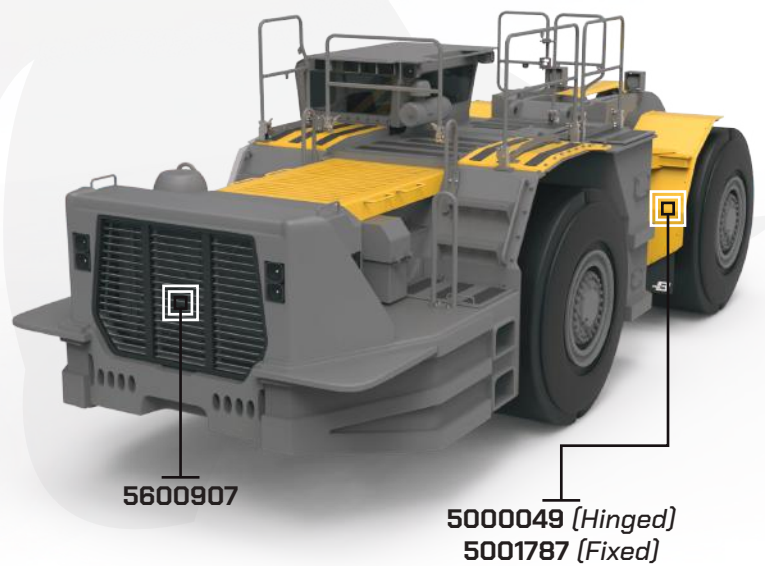
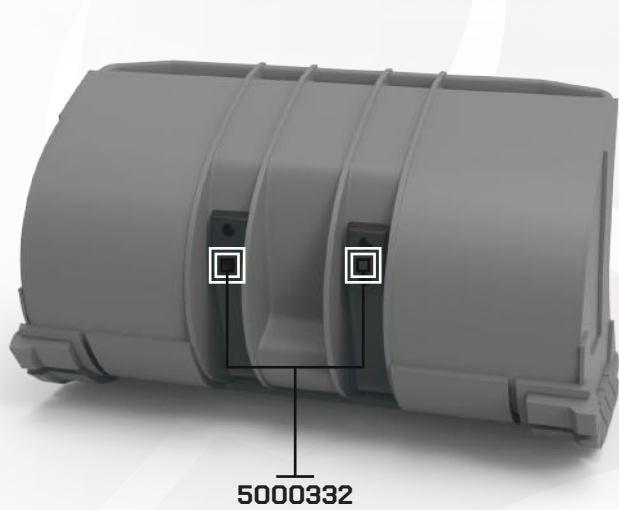
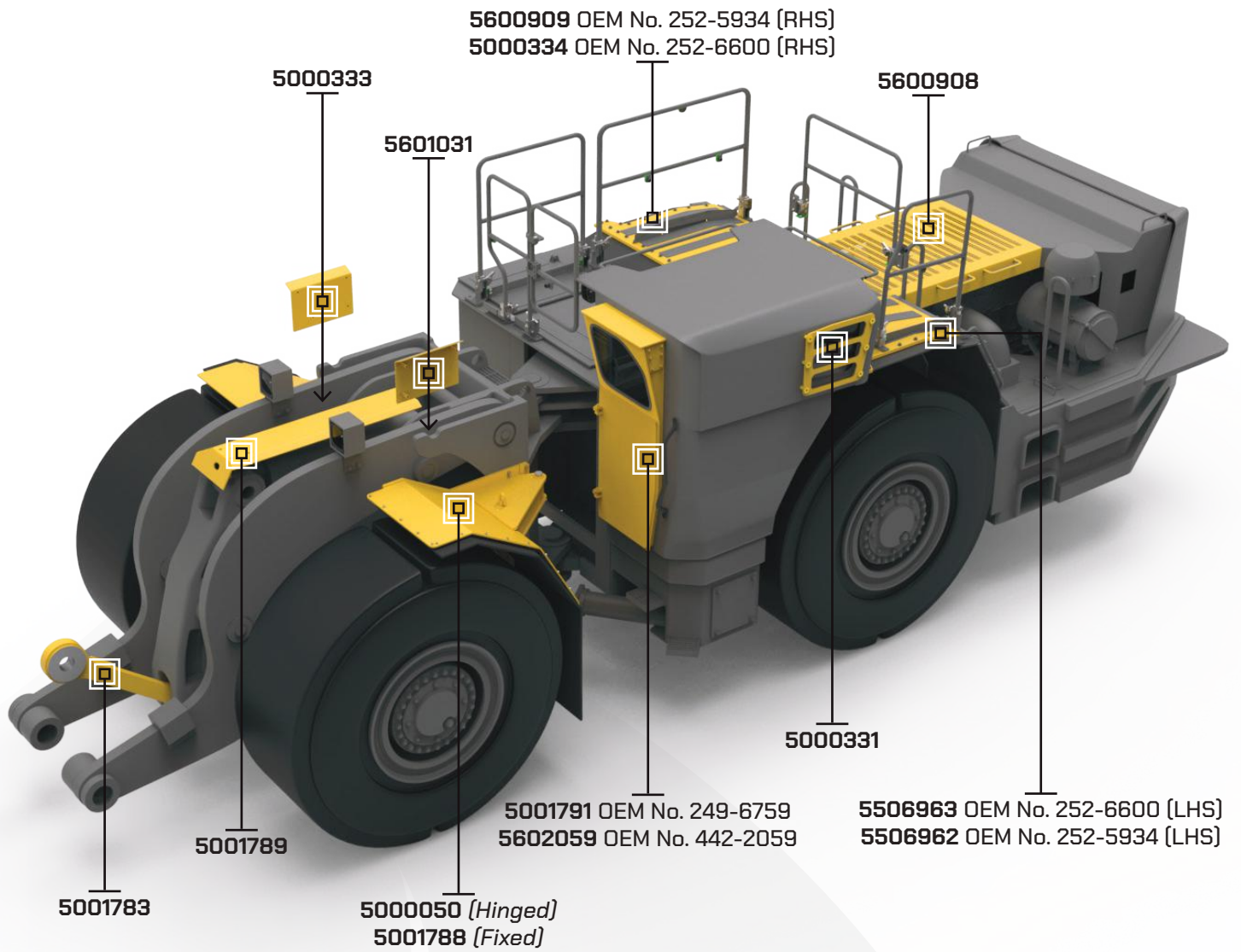
CAT R2900G / R3000H FALL ARRESTOR TETHER KIT

Part No. 5504911

A solution to provide operators/fitters with a tethering kit which they could lock onto, while erecting the handrails on the machine.

Features:

- Tether kit is pre-rated to arrest the fall of an operator.
- Tether mechanism locks when sudden movement is detected (e.g. losing balance), preventing tripping and/or falling from machine.
- Uses existing bolts/fittings on the roof and engineered and certified brackets for retractable fall arrest tethers to attach to.



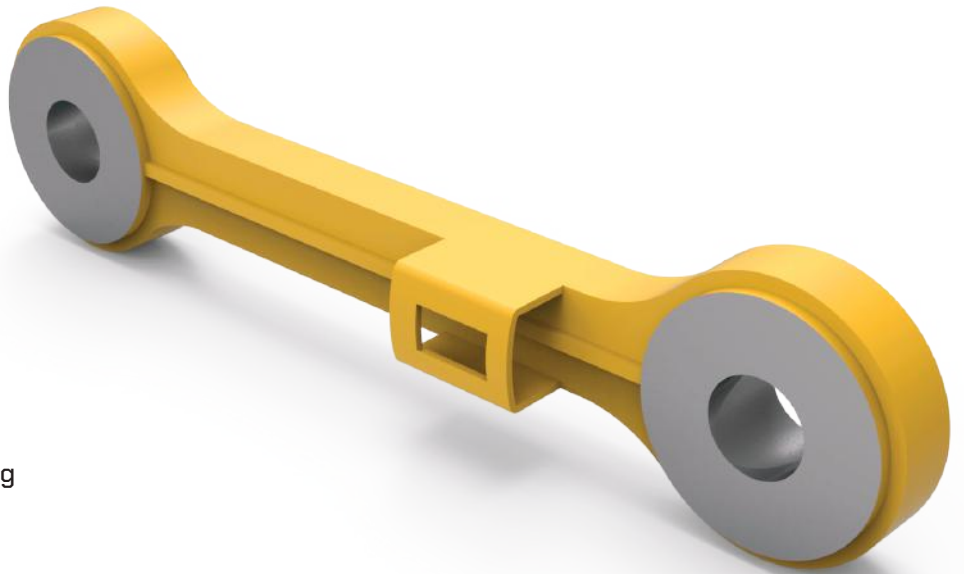
**CAT R2900G / R3000H
DOG BONE / TILT LINK**

Part No. 5001783

RDX's dog bone components are precision manufactured and machined from high tensile steel, with hardened and ground bushes. Replaces OEM No. 186-9869.

Features:

- Grease channel machined into the dog bone body
- Supplied in enclosed transport crate
- Supplied with seals and bushes



**CAT R2900G / R3000H
DOG BONE / TILT LINK TRANSPORT & STORAGE FRAME**

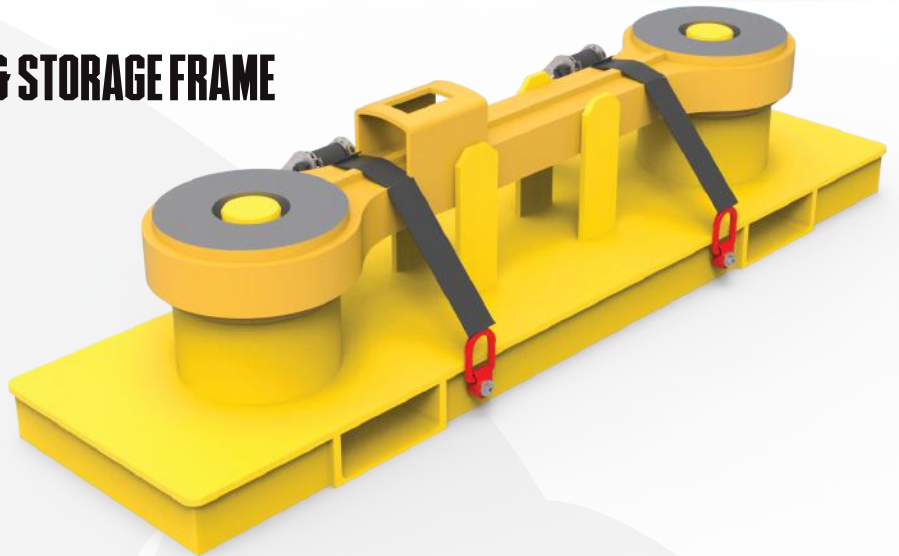
Part No. 5504125

For the transport and storage of the CAT R2900 / 3000 dog bone.

WLL: 200kg

Features:

- Heavy duty steel construction
- Includes ratchet tie-downs
- Tie-down points
- Forklift slots



TOP TAILSHAFT GUARD

Part No. 5001948

OEM No. 248-5139



BOTTOM TAILSHAFT GUARD

Part No. 5001947

OEM No. 248-5140

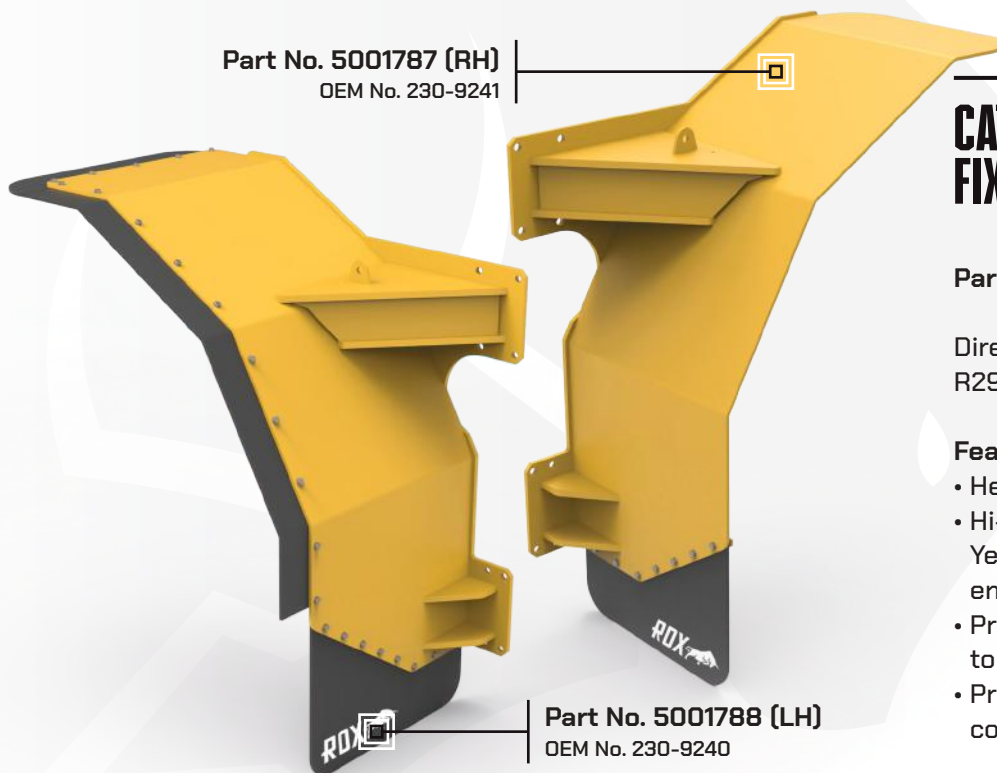
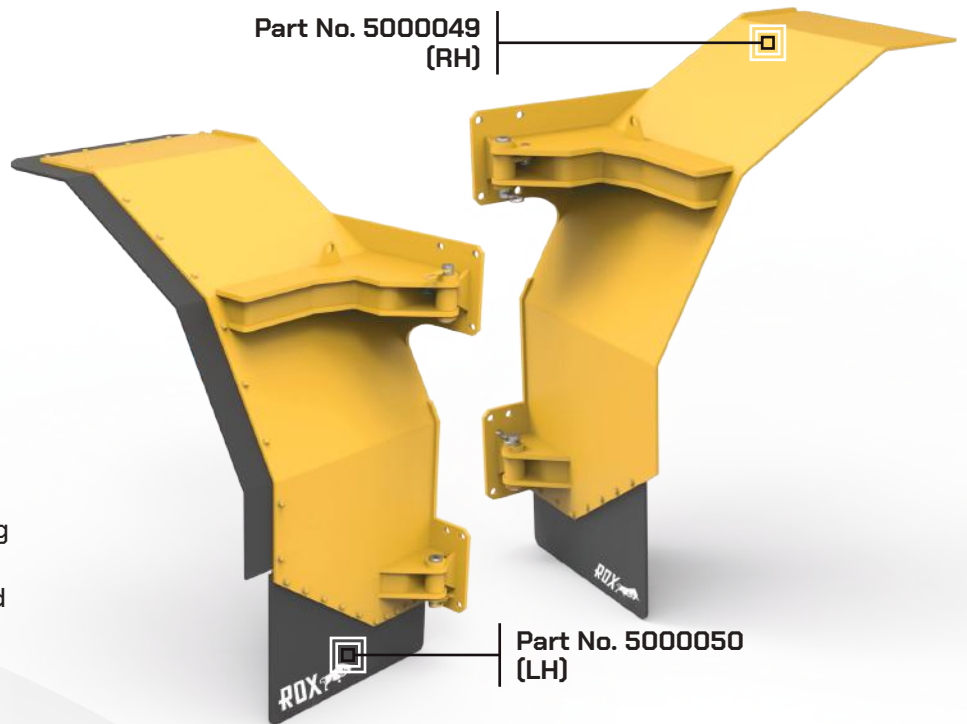
**CAT R2900G
HINGED FENDERS**

Part No. 5000049 (RH) / 5000050 (LH)

Made to suit CAT R2900G Loaders, our fender acts as a wheel guard and is designed to withstand the harshest underground mining environments.

Features:

- Heavy duty hinged folding system
- Double pin design to eliminate sagging
- Eliminates requirement to remove fender access components positioned behind the fender Tilt Link
- Stainless pins with greasing points
- Suitable for use with tyre chains



**CAT R2900G
FIXED FENDERS**

Part No. 5001787 (RH) / 5001788 (LH)

Direct OEM replacement for CAT R2900G fixed fenders.

Features:

- Heavy-duty steel construction
- Hi-spec surface treatment in CAT Yellow over a primary zinc coating for enhanced protection
- Precision manufactured for fast fit up to your machine
- Protects the wheel and surrounding components



CAT R2900G / R3000H NARROW REAR FENDER ASSEMBLY LH

Part No. 5506963

OEM No. 252-6600, 230-4739



CAT R2900G / R3000H NARROW REAR FENDER ASSEMBLY RH

Part No. 5000334

OEM No. 252-6600, 252-6599



CAT R2900G / R3000H WIDE REAR FENDER ASSEMBLY LH

Part No. 5506962

OEM No. 252-5934, 252-5933



CAT R2900G / R3000H WIDE REAR FENDER ASSEMBLY RH

Part No. 5600909

OEM No. 252-5934, 248-4289

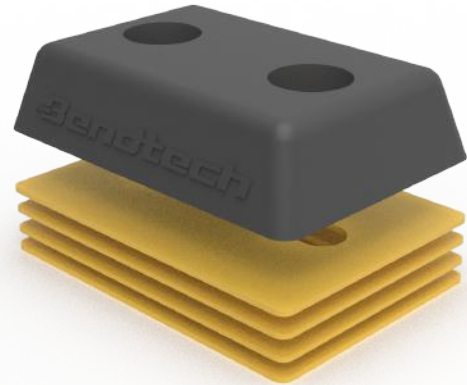


CAT R2900G / R3000H REAR RADIATOR GRILLE

Part No. 5600907

OEM No. 264-8350

- Includes locking pin latch and hinges



BUCKET BUMPER KIT

Part No. 5000332

OEM No. 233-0734

- Kit includes: 1 x bucket bumper
2 x 2mm shim [OEM No. 233-0736]
2 x 3mm shim [OEM No. 233-0735]



CAT R2900G / R3000H REAR DECK HOOD

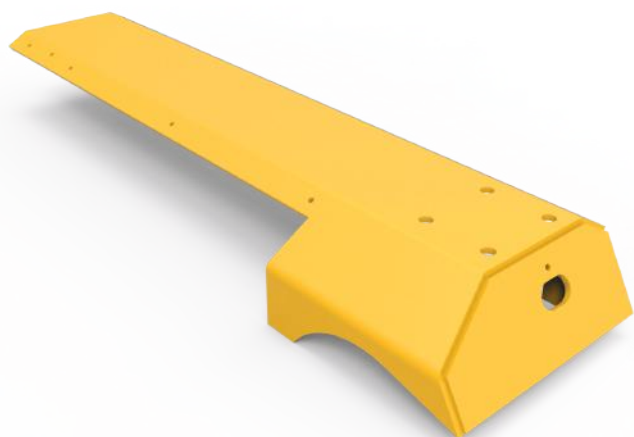
Part No. 5600908

OEM No. 248-5160

Direct OEM replacement for CAT R2900G & R3000H Rear Deck Hood.

Features:

- Includes mount [OEM No. 501-4874]
- Includes 2 x gas struts



**CAT R2900 / R2900G
CYLINDER GUARD**

Part No. 5001789

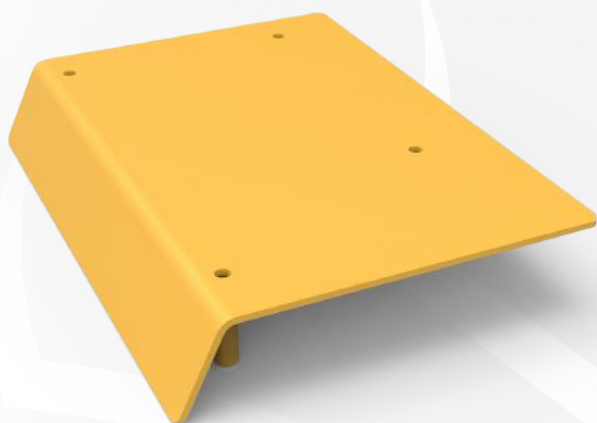
OEM No. 217-0347



**CAT R2900 / R2900G / R3000H
WINDOW GUARD**

Part No. 5000331

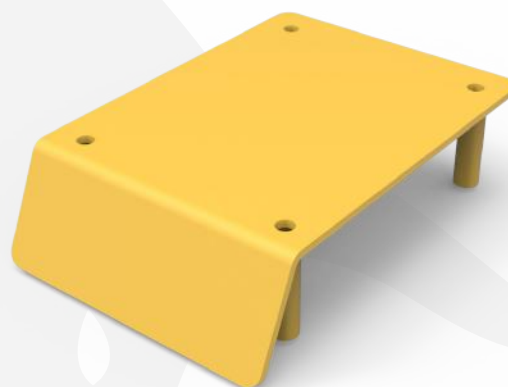
OEM No. 251-7851



**CAT R2900G
LUBRICATION LINES COVER RH**

Part No. 5000333

OEM No. 203-1563



**CAT R2900G
LUBRICATION LINES COVER LH**

Part No. 5601031

OEM No. 203-1562

CAT R2900G CAB DOOR

Part No. 5001791

OEM No. 249-6759

Features:

- Heavy duty construction
 - Precision manufactured for fast fit up to your machine
 - Suits GLK and JLK
-



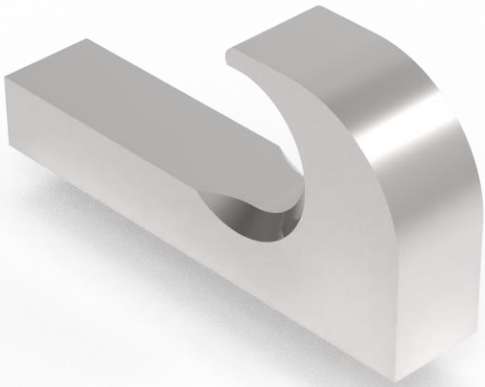
CAT R2900 / R2900G / R3000H CAB DOOR

Part No. 5602059

OEM No. 442-2059

Features:

- Heavy duty construction
 - Precision manufactured for fast fit up to your machine
 - Suits JLK, NLK, ZLK, RCM and RCY
-



CATERPILLAR UNDERGROUND RECOVERY HOOK

Part No. 5602282

Welded to the rear of CAT underground loaders to provide tow assistance when required.

Features:

- No paint or powder used for ease of welding/fitment
- Heavy-duty steel construction

CAT R2900G TILT CYLINDER ACCESS PLATFORM

Part No. 5607923

An access platform designed and engineered for the safe and efficient access to the tilt cylinder of the CAT R2900G and Sandvik LH621i. Certified and compliant with Australian Standards.

Features:

- Full TIG welded, heavy-duty aluminium RHS construction
- WLL: 150kg
- Bolt-on safety handrails with kickplates
- Non-slip, serrated grating work deck and stair treads
- Non-slip nosings on all stair treads
- High quality German made castor wheels
- Removable handrail
- Safety drop bar
- Self-closing gates
- Forklift slots



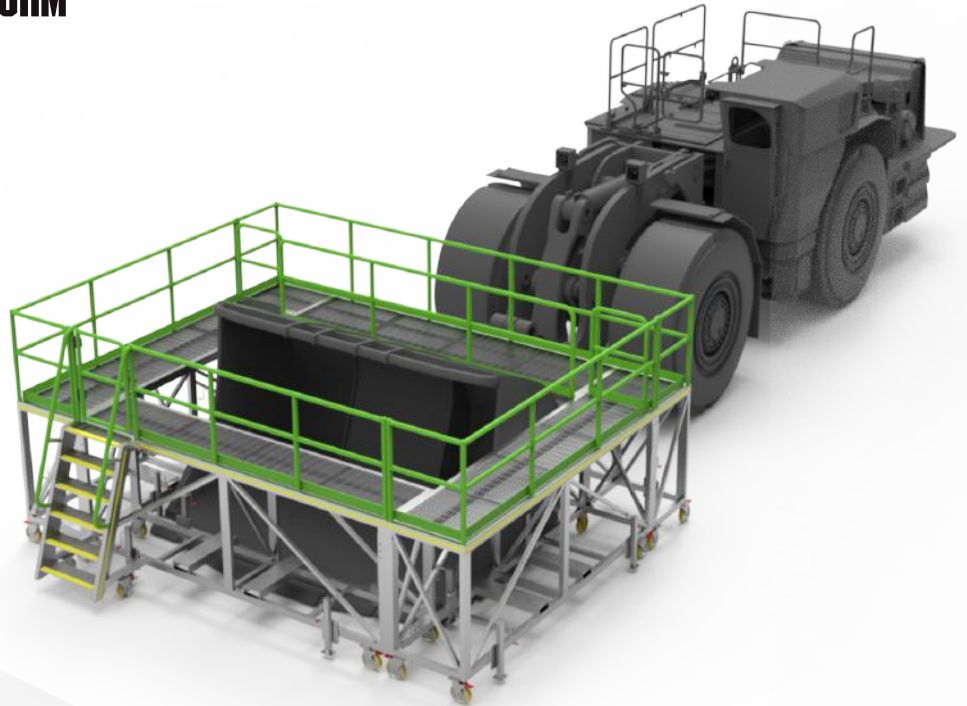
CAT R2900G BUCKET RECONDITIONING PLATFORM

Part No. 5501730

Designed and engineered for safe, certified and compliant access when working on the CAT R2900G bucket. Certified compliant with Australian Standards.

Features:

- Full TIG welded, heavy-duty aluminium RHS construction
- 4 x sections bolt together to combine into one square-shaped platform
- Non-slip, serrated grating work deck and stair treads
- Non-slip nosings on all stair treads
- Safety handrails with kickplates
- High quality castor wheels
- Heavy-duty levelling jacking stands
- Forklift slots
- Self-closing gate



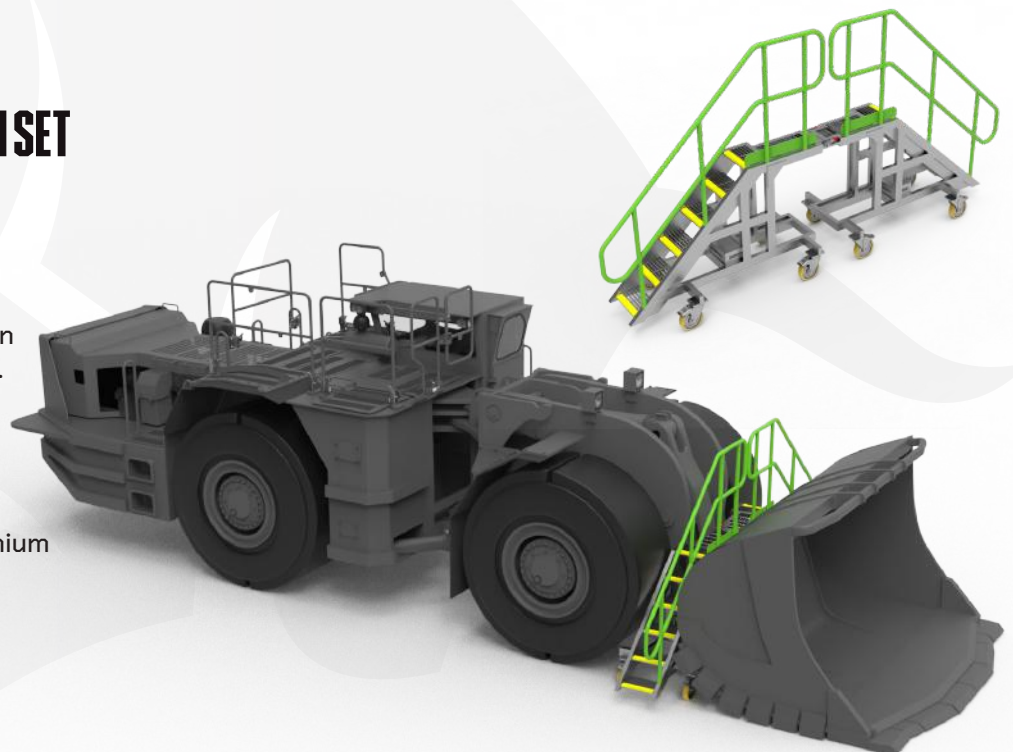
CAT R2900G LIFT ARM ACCESS PLATFORM SET

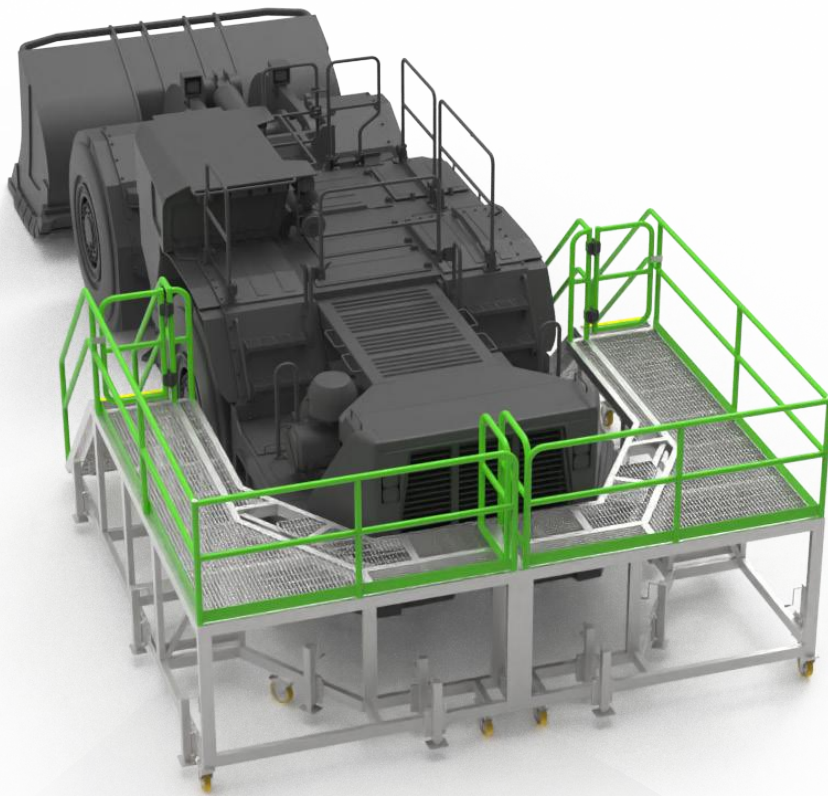
Part No. 5503187

Designed and engineered for safe, certified and compliant access when working on the CAT R2900G bucket. Certified compliant with Australian Standards.

Features:

- Full TIG welded, heavy-duty aluminium RHS construction
- WLL: 200kg per platform
- LH & RH set
- Fitted with heavy-duty castors
- Fitted with jacking stands





CAT R2900G REAR ACCESS PLATFORM

Part No. 5503189

Designed and engineered for safe, certified and compliant access when working on the CAT R2900G bucket. Certified compliant with Australian Standards.

Features:

- Full TIG welded, heavy-duty aluminium RHS construction
- WLL: 600kg
- Non-slip, serrated grating work deck and stair treads
- Non-slip nosings on all stair treads
- Safety handrails with kickplates
- High quality castor wheels
- Heavy-duty levelling jack stands
- Self-closing gate
- Forklift slots

CAT R2900G ARTICULATION AREA ACCESS PLATFORM

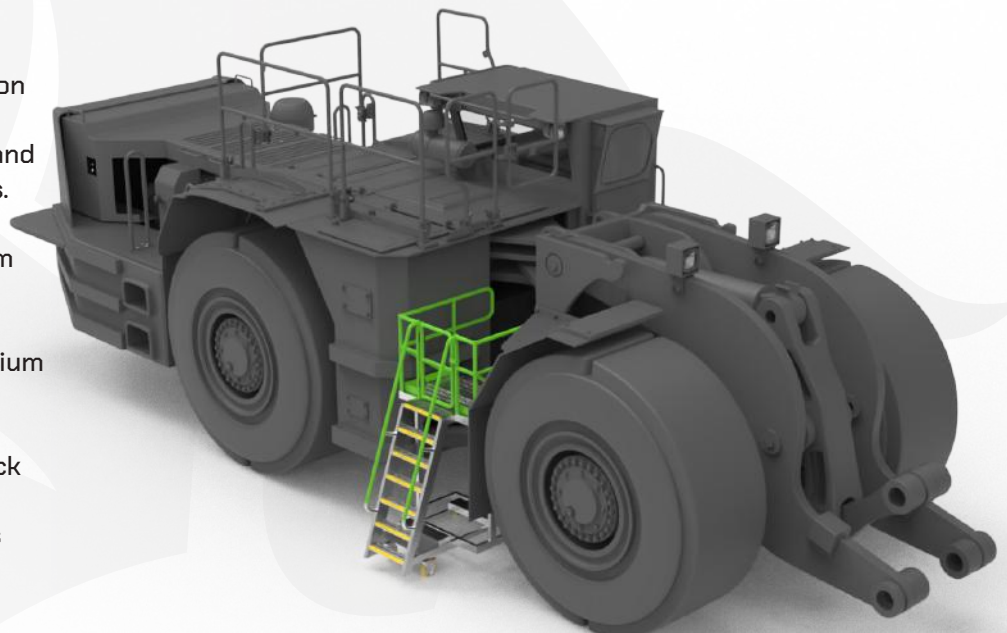
Part No. 5501557

Designed and engineered to safely and efficiently access the articulation area of the CAT R2900G loader for maintenance and repairs. Certified and compliant with Australian Standards.

Construction: Heavy-duty aluminium

Features:

- Full TIG welded, heavy-duty aluminium RHS construction
- WLL: 250kg
- Non-slip, serrated grating work deck and stair treads
- Non-slip nosings on all stair treads
- Safety handrails with kickplates
- High quality castor wheels
- Self-closing gate
- Forklift slots



CAT R2900G FRONT WHEEL / TILT CYLINDER ACCESS PLATFORM

Part No. 5504118

Designed and engineered to provide safe access to the tilt cylinder above the wheel of a CAT R2900G loader for maintenance and repairs. Certified and compliant with Australian Standards.

Features:

- Full TIG welded, heavy-duty aluminium RHS construction
- WLL: 150kg
- Non-slip, serrated grating work deck and stair treads
- Non-slip nosings on all stair treads
- Safety handrails with kickplates
- High quality castor wheels
- Removable drop-in handrails facing lift arms
- Self-closing gate
- Forklift slots



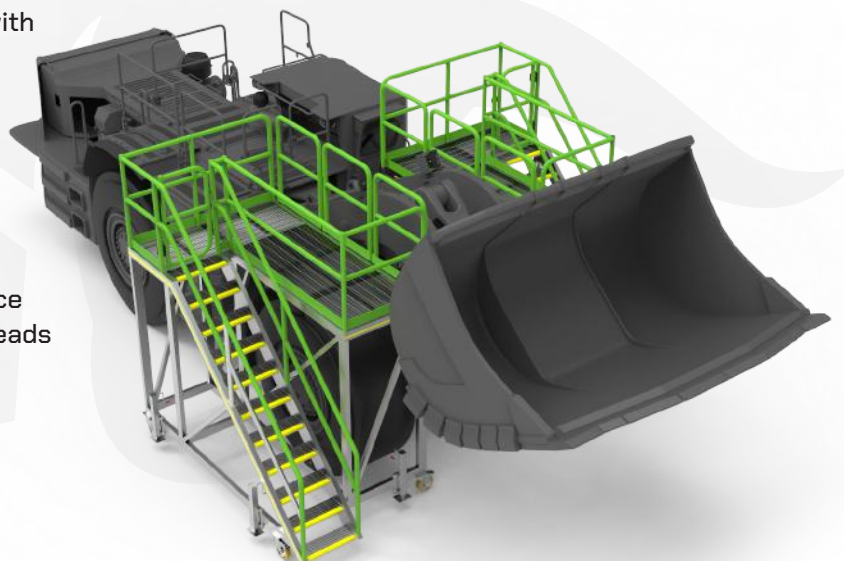
CAT R2900G LIFT ARM ACCESS PLATFORM SET

Part No. 5505474

Designed and engineered to provide safe and efficient access to the lift cylinder and lift arm assembly for maintenance and repair. Certified and compliant with Australian Standards.

Features:

- Full TIG welded, heavy-duty aluminium RHS construction
- WLL: 250kg per platform
- LH & RH symmetrical platform set
- Platforms allow easy access on both sides at once
- Non-slip, serrated grating work deck and stair treads
- Non-slip nosings on all stair treads
- Safety handrails with kickplates
- High quality castor wheels
- Heavy-duty levelling jacking stands
- Removable drop-in handrails facing lift arms
- Self-closing gate





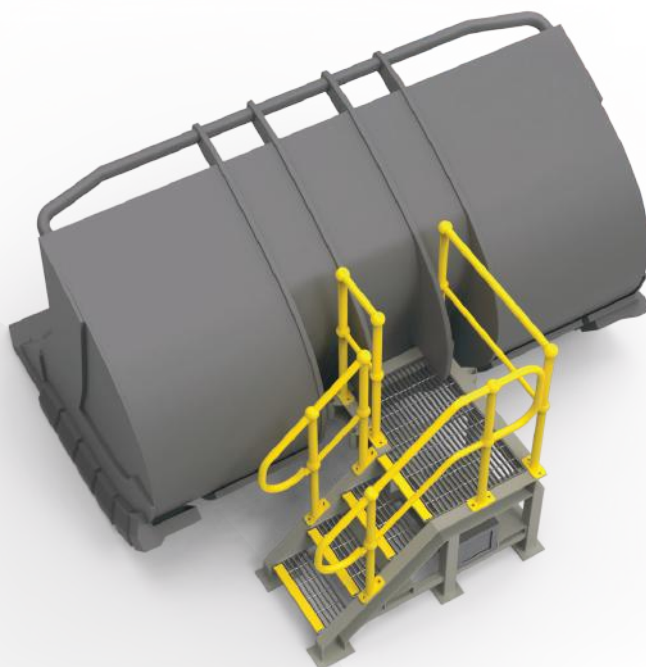
CAT R2900G BUCKET REPAIR ACCESS PLATFORM

Part No. 5505506

A certified access platform designed and engineered to provide safe and efficient access for maintenance to the bucket of the CAT R2900G loader. Certified and compliant with Australian Standards.

Features:

- Heavy-duty steel construction
- WLL: 200kg
- Forklift slots
- Removable handrail - can be used on both sides of platform deck



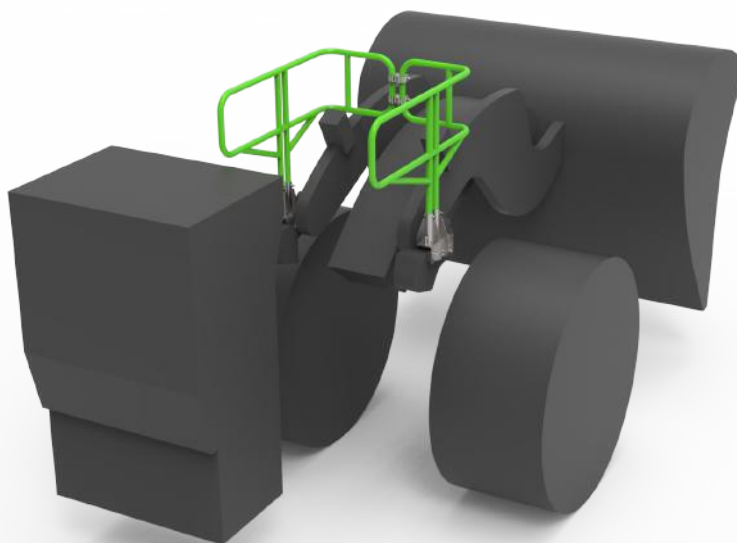
CAT R2900 / 3000 LIFTING ARM HANDRAILS

Part No. 5403187

A bolt-on set of maintenance handrails designed for the Caterpillar R2900 and R3000. Designed to eliminate risk when working at heights. Certified and compliant with Australian Standards.

Features:

- Heavy-duty steel construction
- 60.4kg tare weight
- Certified and compliant to Australian Standards

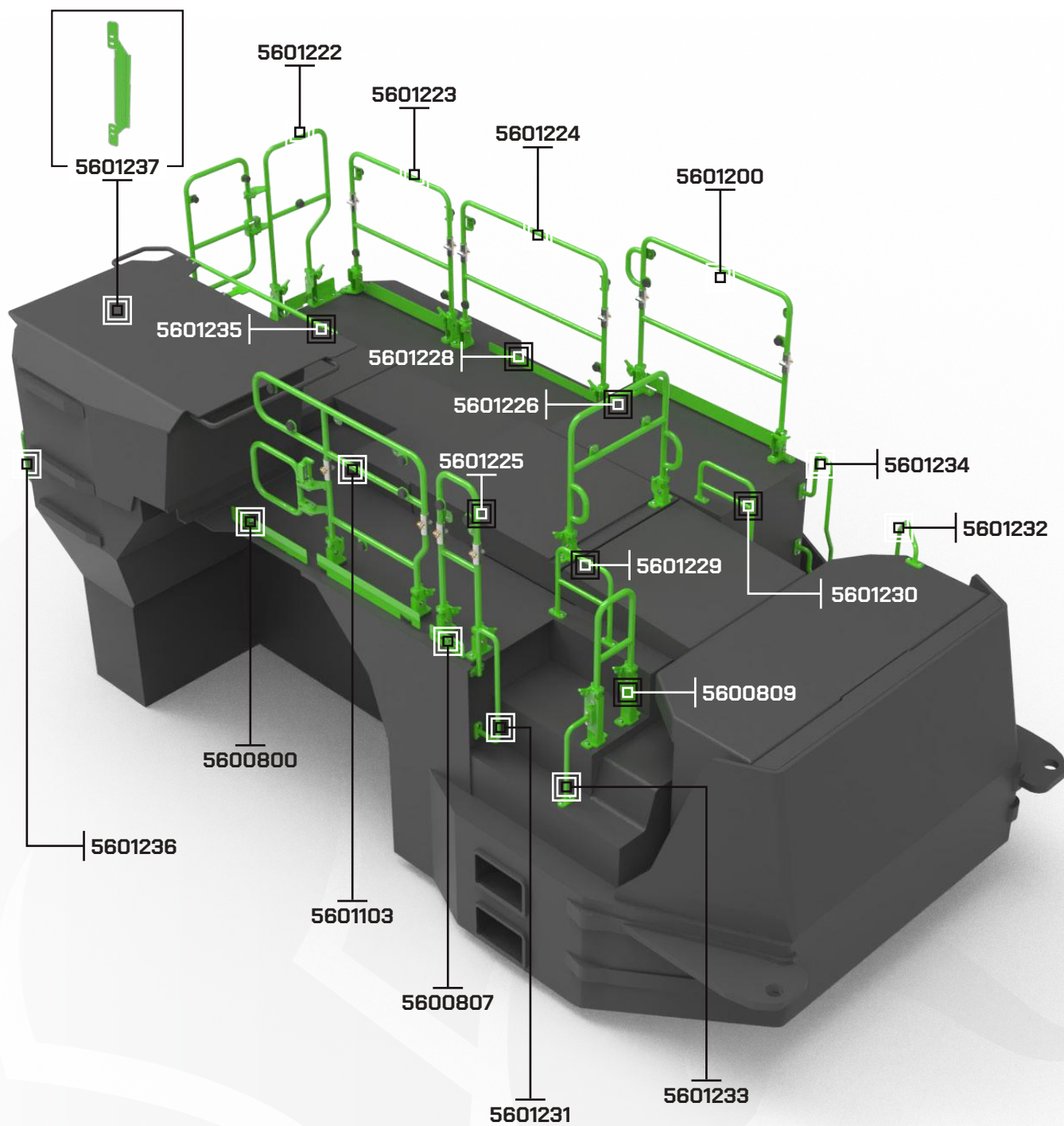


**ELIMINATING DOWNTIME,
MAXIMISING EFFICIENCY.**

**CAT
R2900XE LOADER**

ELIMINATING DOWNTIME, MAXIMISING EFFICIENCY.







Kickplate 5600800

OEM No. 489-9199



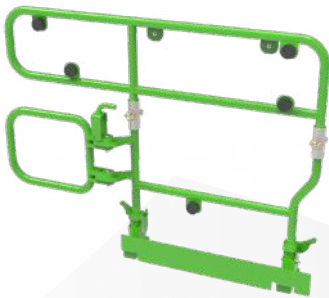
Kickplate 5600807

OEM No. 490-1984



Handrail 5600809

OEM No. 522-8184



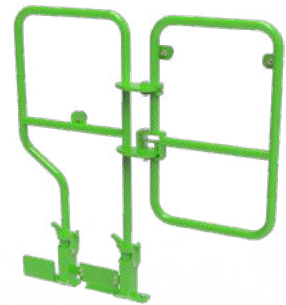
Handrail 5601103

OEM No. 582-5511



Handrail 5601200

OEM No. 582-5519



Handrail 5601222

OEM No. 582-2538



Handrail 5601223

OEM No. 581-6690



Handrail 5601224

OEM No. 582-2545



Handrail 5601225

OEM No. 586-1415



Handrail 5601226

OEM No. 543-2555



Kickplate 5601228

OEM No. 529-0335



Handrail 5601229

OEM No. 588-6813



Handrail 5601230

OEM No. 588-6809



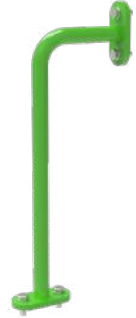
Handrail 5601231

OEM No. 538-7414



Handrail 5601232

OEM No. 585-6684



Handrail 5601233

OEM No. 585-1152



Handrail 5601234

OEM No. 582-5530



Handrail 5601235

OEM No. 574-5405



Handrail 5601236

OEM No. 585-6015



Plate 5601237

OEM No. 605-9320

**ELIMINATING DOWNTIME,
MAXIMISING EFFICIENCY.**

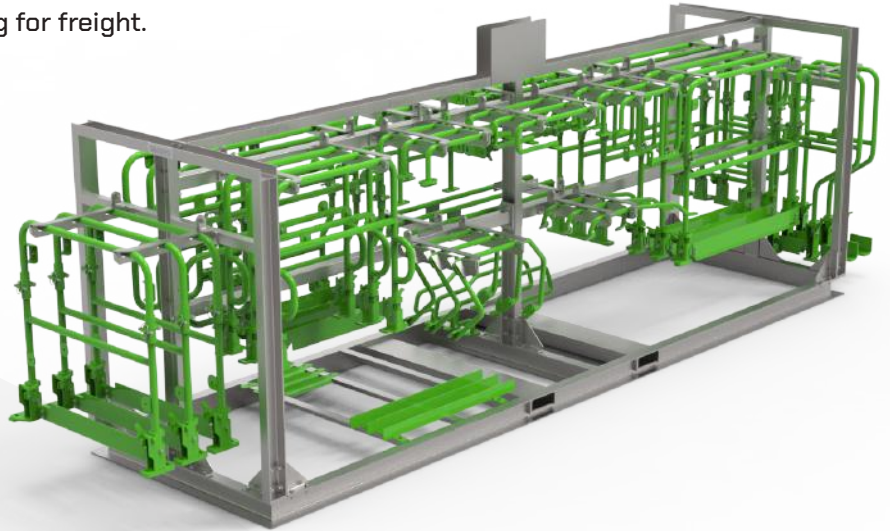
CAT R2900XE HANDRAIL STORAGE RACK

Part No. 5607920

A storage solution designed and engineered to hold 3 full sets of CAT R2900XE handrails. This handrail storage rack allows sites to access replacement handrails quickly and easily, without waiting for freight.

Features:

- Heavy duty steel construction
- Forklift slots
- Rack to be hot dip galvanised
- Handrails not included
- All required signage incorporated



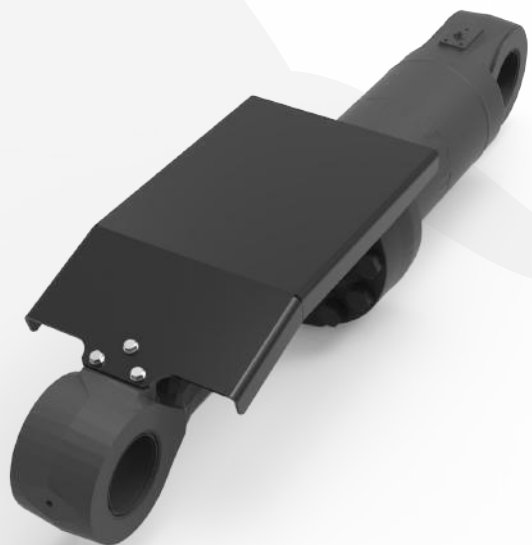
CAT R2900XE TILT CYLINDER GUARD

Part No. 5509068

Our tilt cylinder guard provides protection for the ram body and cylinder shaft. Replaces OEM No. 617-8530. Bolts straight into existing OEM mounting points.

Features:

- Heavy-duty steel construction
- Bolts straight onto existing OEM mounting points
- Finished in Gloss Black
- In stock and ready for immediate despatch



Part No. 5601251 (RH)
OEM No. 586-4185



Part No. 5601250 (LH)
OEM No. 586-4181

CAT R2900XE FIXED FRONT FENDERS

Part No. 5601250 (RH) / 5601251 (LH)

Made to suit CAT 2900XE Loaders, our Fender acts as a wheel guard and is designed to withstand the harshest underground mining environments.

To suit OEM part number 586-4181

Features:

- Hi-spec surface treatment finish in machine colour over a primary zinc coating for enhanced protection
- This part is made to suit OEM 586-4181 and is certified and load rated to Australian Standards
- Stocked and ready for immediate delivery

CAT R2900XE LIFT ARM HANDRAILS

Part No. 5509044

A bolt-on set of maintenance handrails designed for the Caterpillar R2900XE and R3000. Certified and compliant with Australian Standards.

Features:

- Heavy-duty steel construction
- 52.4kg tare weight
- Painted to site specifications (to be confirmed at quote stage)
- Certified and compliant to Australian Standards

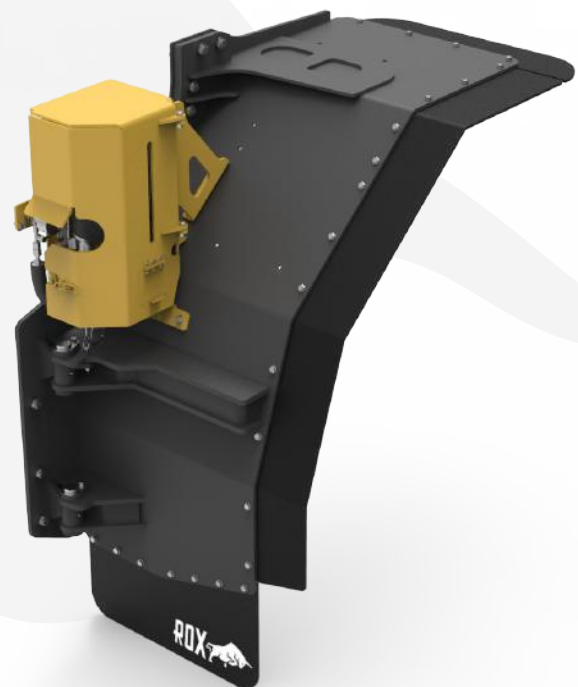
CAT R2900XE LUBRICATION PUMP COVER ASSEMBLY

Part No. 5607928

Lubrication Pump Cover to suit CAT R2900XE. Designed for easy access and greater protection of the hydraulic pump. Fits with OEM Style or ROX Hinged Fender.

Features:

- CAT R2900XE Hinged Lubrication Pump Cover
- Heavy Duty Steel Construction
- Stocked and ready for despatch

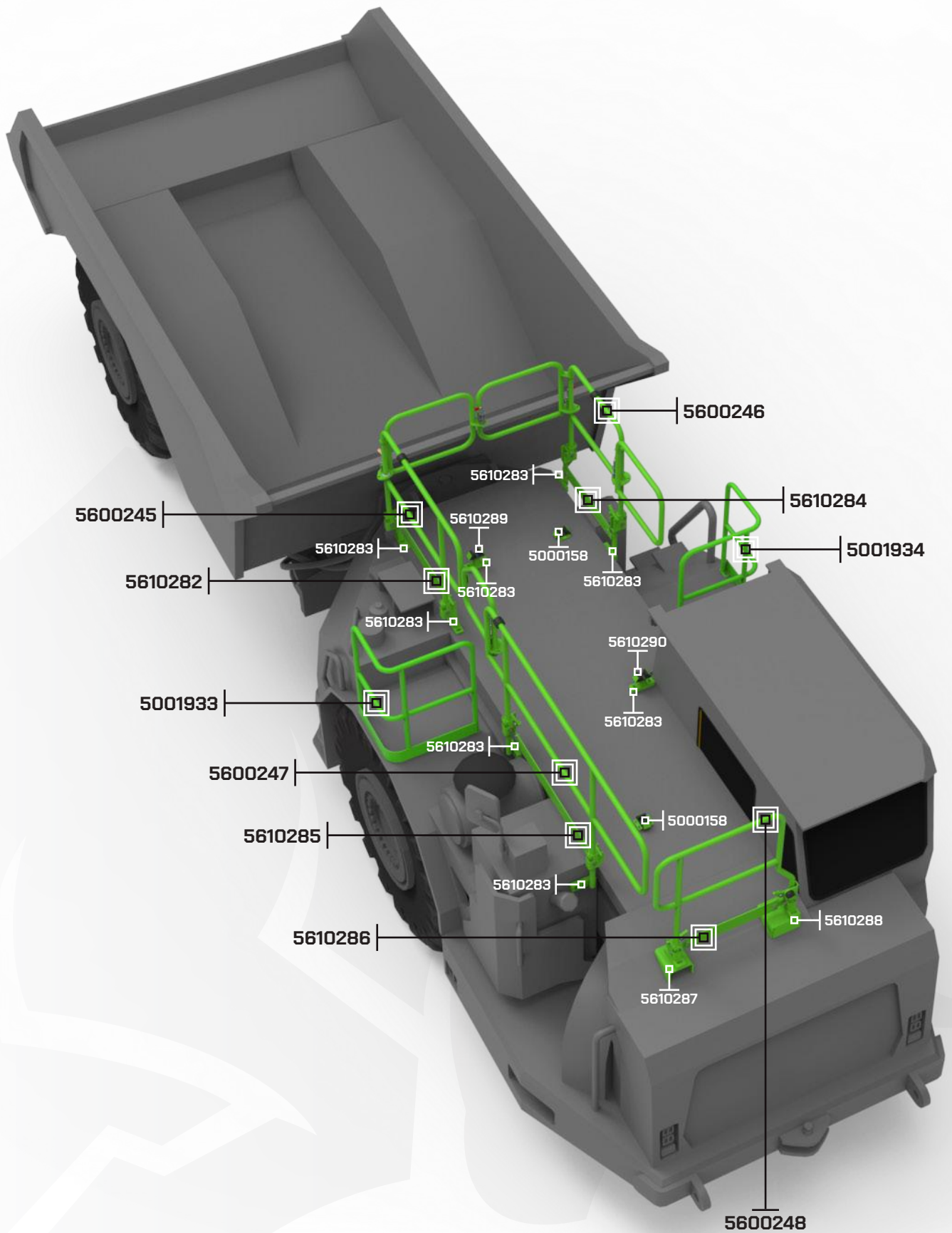




**CAT
AD30 TRUCK**

ELIMINATING DOWNTIME, MAXIMISING EFFICIENCY.







Handrail 5600245



Handrail 5600246



Handrail 5600247



Handrail 5600248



Kickplate 5610284 (1 Required)



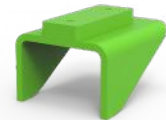
Kickplate 5610282 (1 Required)



Kickplate 5610286 (1 Required)



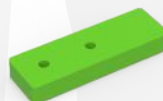
Kickplate 5610285 (1 Required)



Mount Plate 5610287 (1 Required)



Mount Plate 5610288 (1 Required)



Mount Plate 5610283 (8 Required)



Raised Bracket 5610290 (1 Req.)



Bracket 5000158 *[2 Required]*



Raised Bracket 5610289 *[1 Req.]*



LH Outer Handrail 5001933

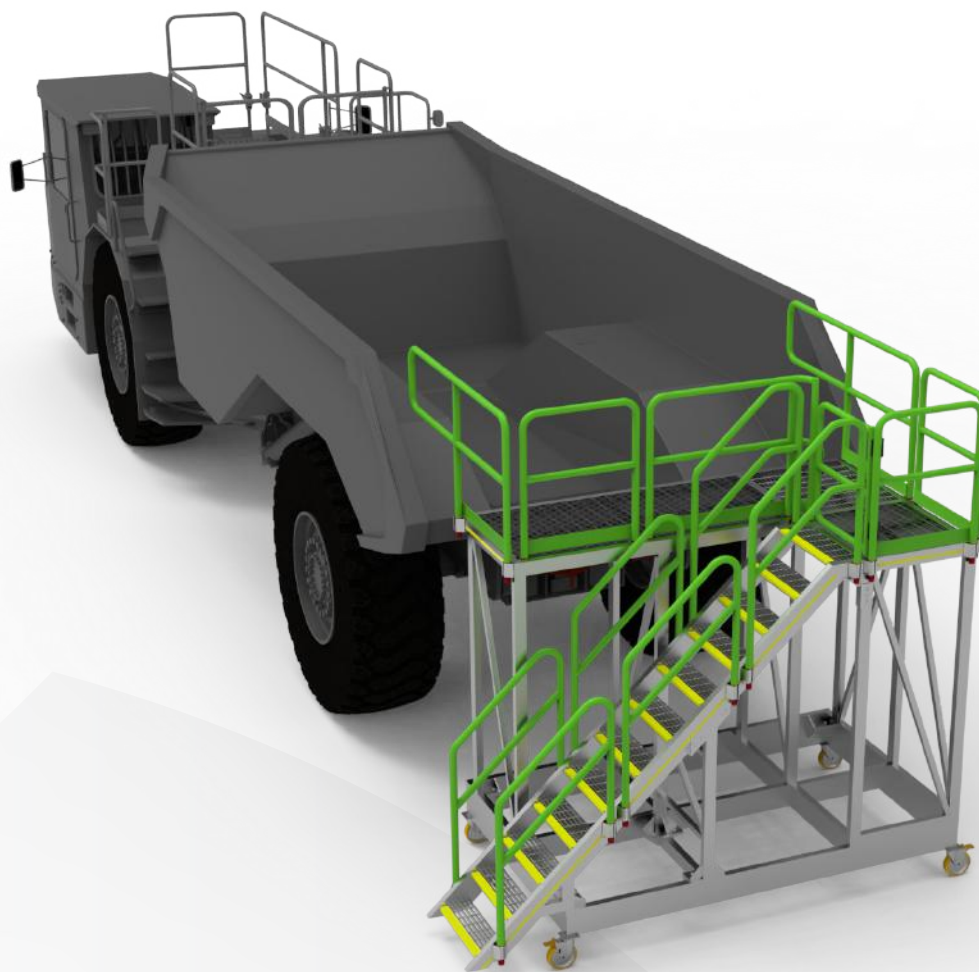
OEM No. 234-9791



RH Outer Handrail 5001934

OEM No. 234-9790

**ELIMINATING DOWNTIME,
MAXIMISING EFFICIENCY.**



CAT AD30 TRAY / TUB ACCESS PLATFORM

Part No. 5501823

A safe, certified and compliant access platform designed and engineered to access the tray on the CAT AD30. Certified and compliant with Australian Standards.

Features:

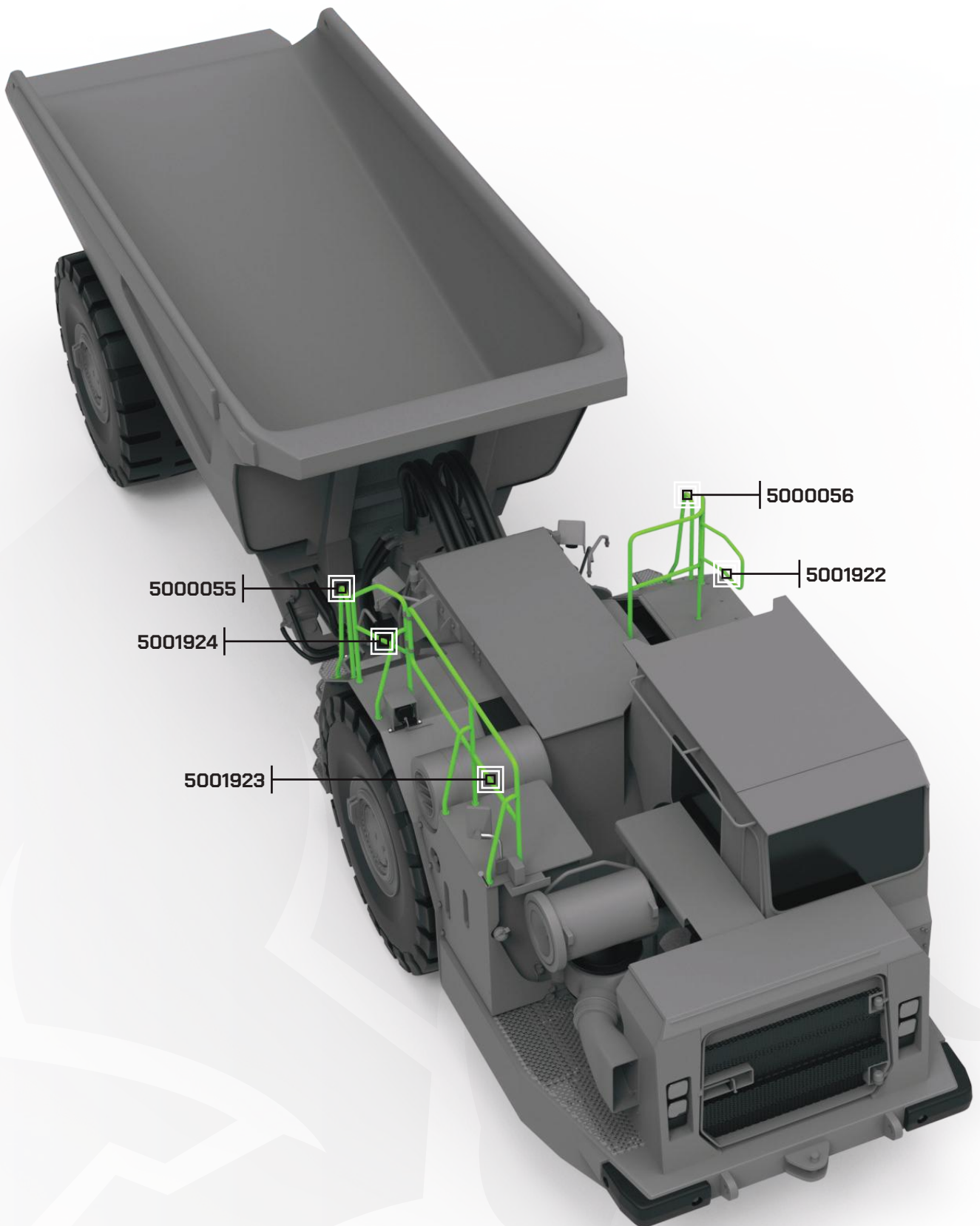
- Full TIG welded, heavy-duty aluminium RHS construction
- WLL: 600kg
- Stairway parallel to the platform deck to reduce platform footprint
- Non-slip stairway and work area
- High quality castor wheels
- Handrails fully removable
- Self-closing gate at the top of the stairs

**CAT
AD45 TRUCK**



ELIMINATING DOWNTIME, MAXIMISING EFFICIENCY.







Handrail 5000055

OEM No. 245-2160



Handrail 5000056

OEM No. 245-2161



Handrail 5001922

OEM No. 271-1840



Handrail 5001923

OEM No. 271-1841



Handrail 5001924

OEM No. 271-1842



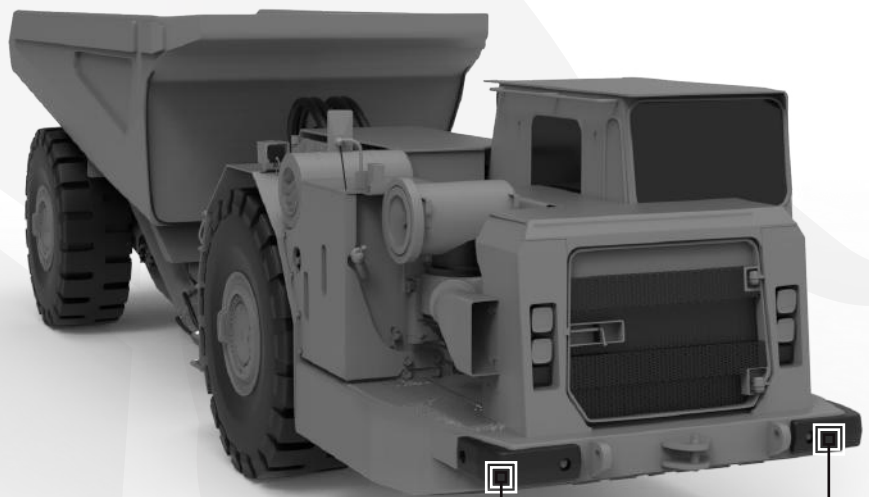
Bumper 5001935

OEM No. 166-4225 (single-unit)

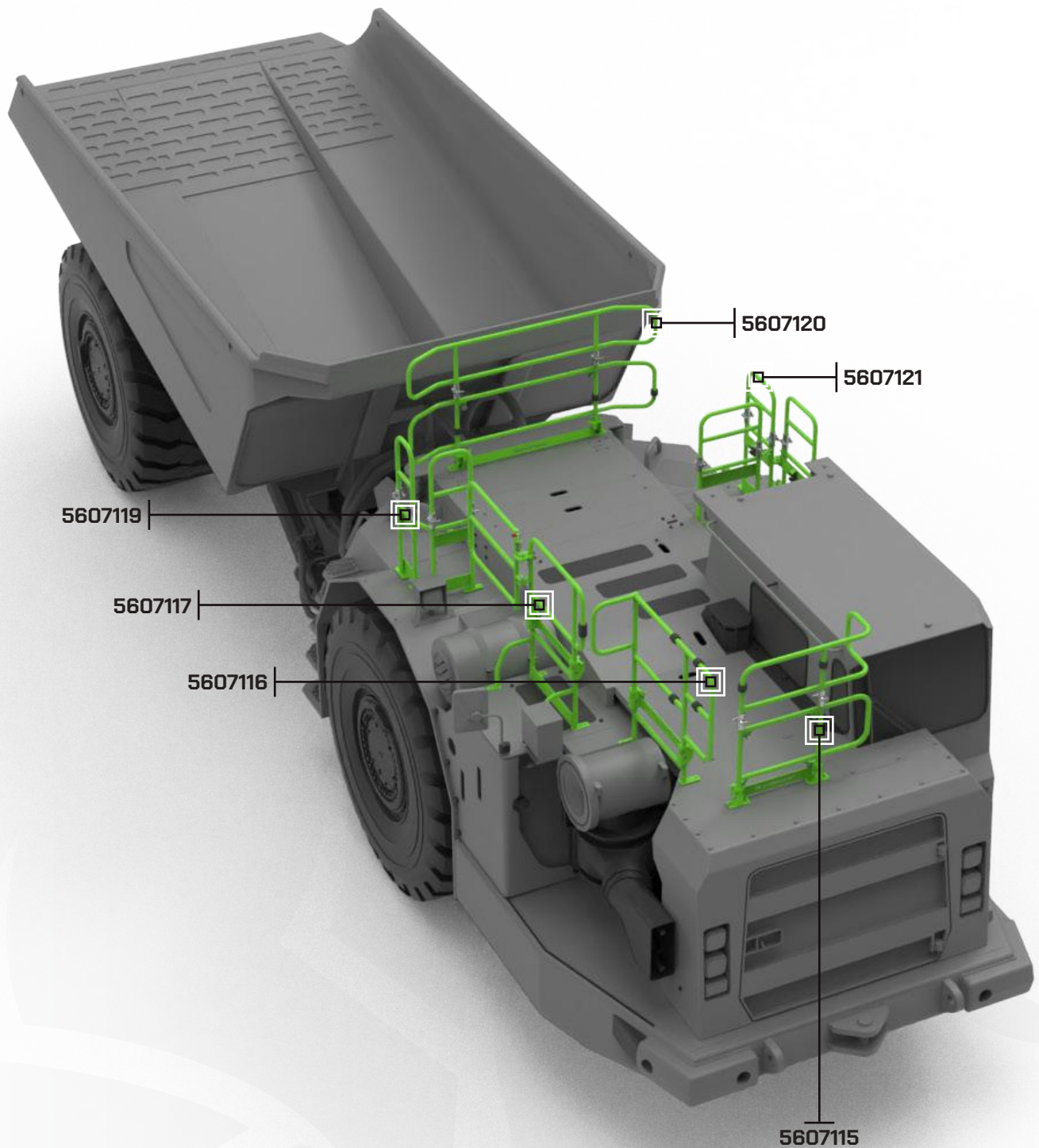


Grab Rail 5600165

OEM No. 234-6462



5001935





Handrail 5607115



Handrail 5607116



Handrail 5607117



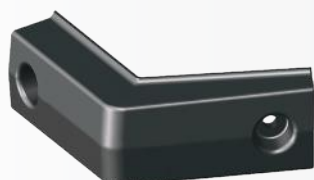
Handrail 5607119



Handrail 5607120



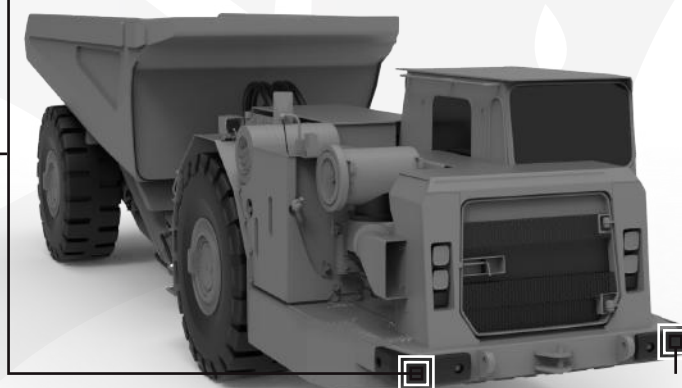
Handrail 5607121



Bumper 5001935

OEM No. 166-4225 (single-unit)

5001935



CAT AD45 HANDRAIL STORAGE RACK

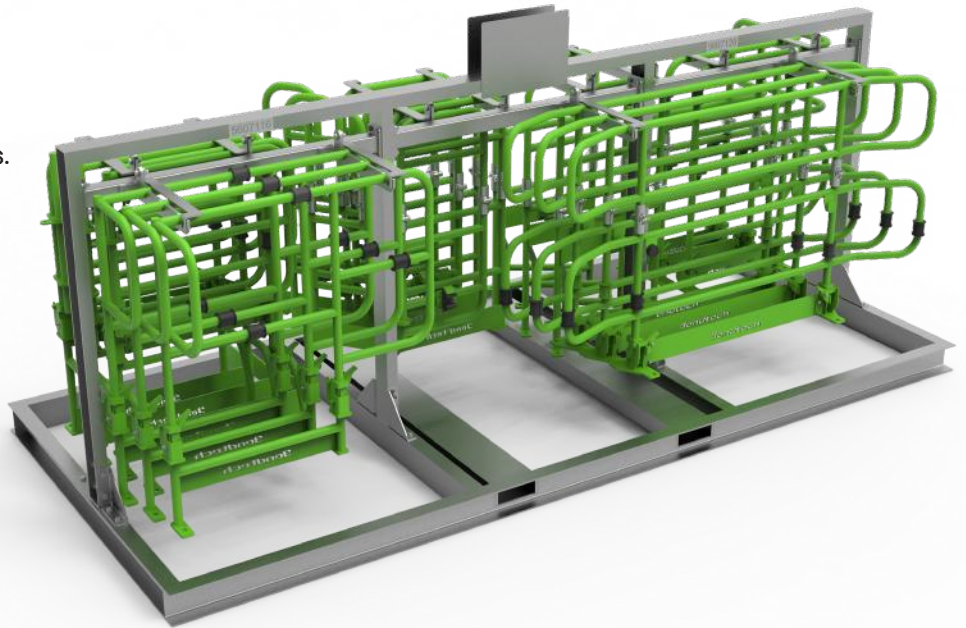
Part No. 5507638

Suits ROX's OEM replacement handrails. Certified and compliant with Australian Standards.

This handrail storage rack allows sites to access replacement handrails quickly and easily, without waiting for freight.

Features:

- Heavy-duty steel construction
- Heavy-duty hot dip galvanised finish
- All required signage incorporated
- Rack capacity: 3 complete sets
- Forklift slots
- Handrails not included



CAT AD45 TRAY / TUB ACCESS PLATFORM

Part No. 5501806

A safe, certified and compliant access platform designed and engineered to access the tray on the CAT AD45. Certified compliant with Australian Standards.

Features:

- Full TIG welded, heavy-duty aluminium RHS construction
- Stairway parallel to the platform deck to reduce platform footprint.
- Non-slip stairway and work area
- High quality castor wheels
- Handrails fully removable
- Self-closing gate at the top of the stairs

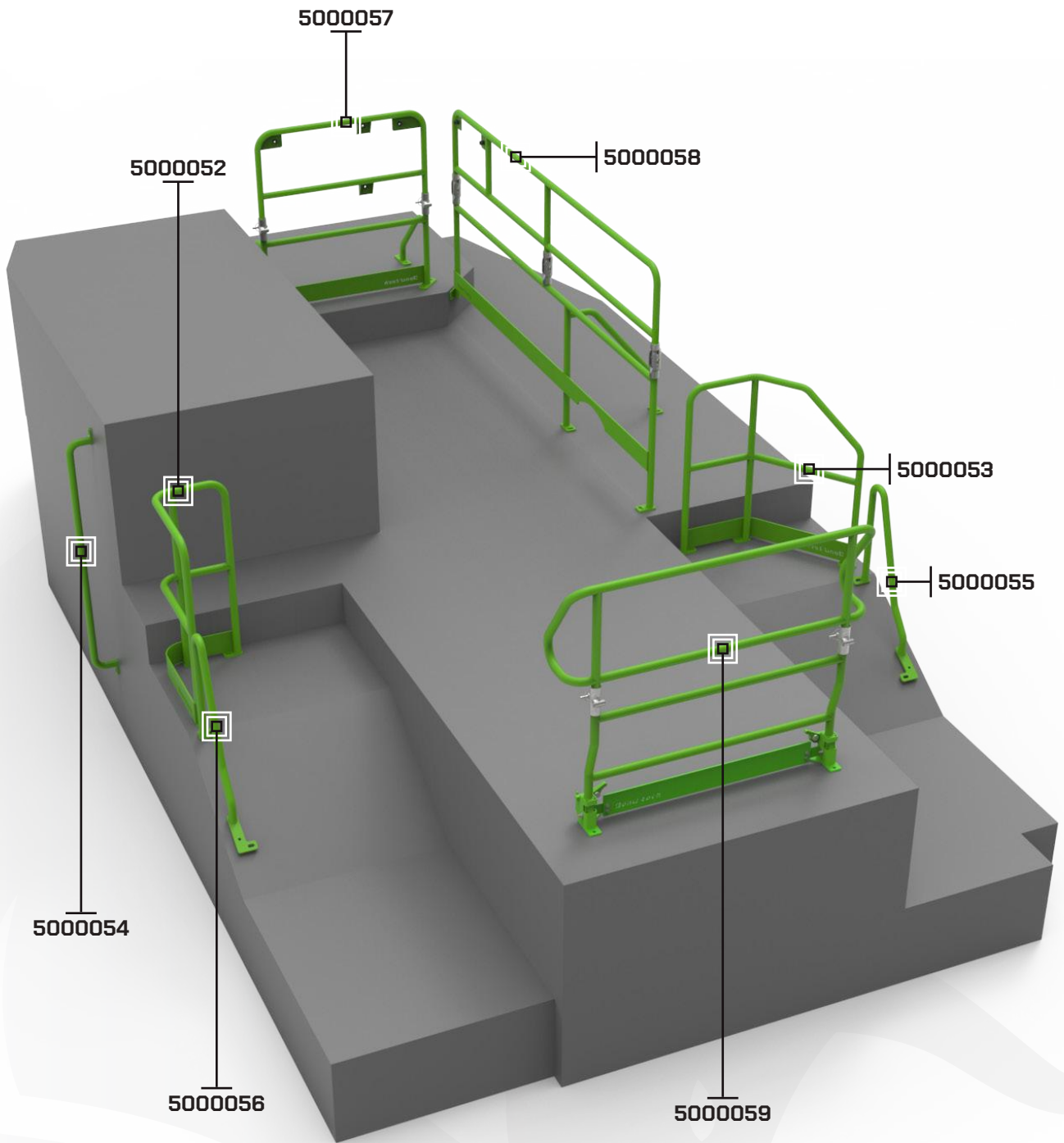


**CAT
AD55 TRUCK**



ELIMINATING DOWNTIME, MAXIMISING EFFICIENCY.

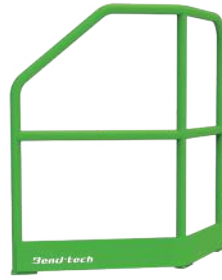






Handrail 5000052

OEM No. 211-3320



Handrail 5000053

OEM No. 211-3321



Handrail 5000054

OEM No. 211-3328



Handrail 5000055

OEM No. 245-2160



Handrail 5000056

OEM No. 245-2161



Bumper 5000057

OEM No. 321-4800



Handrail 5000058

OEM No. 361-8490



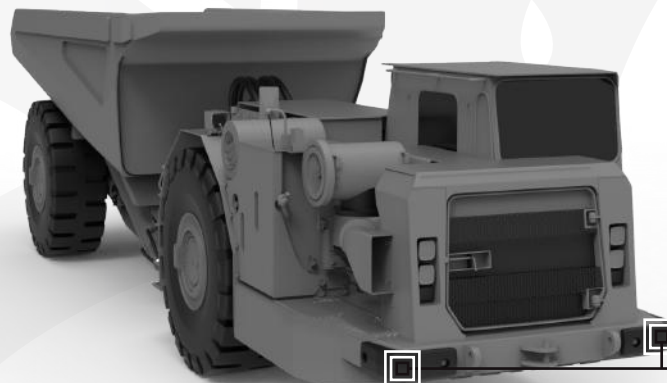
Handrail 5000059

OEM No. 316-2954

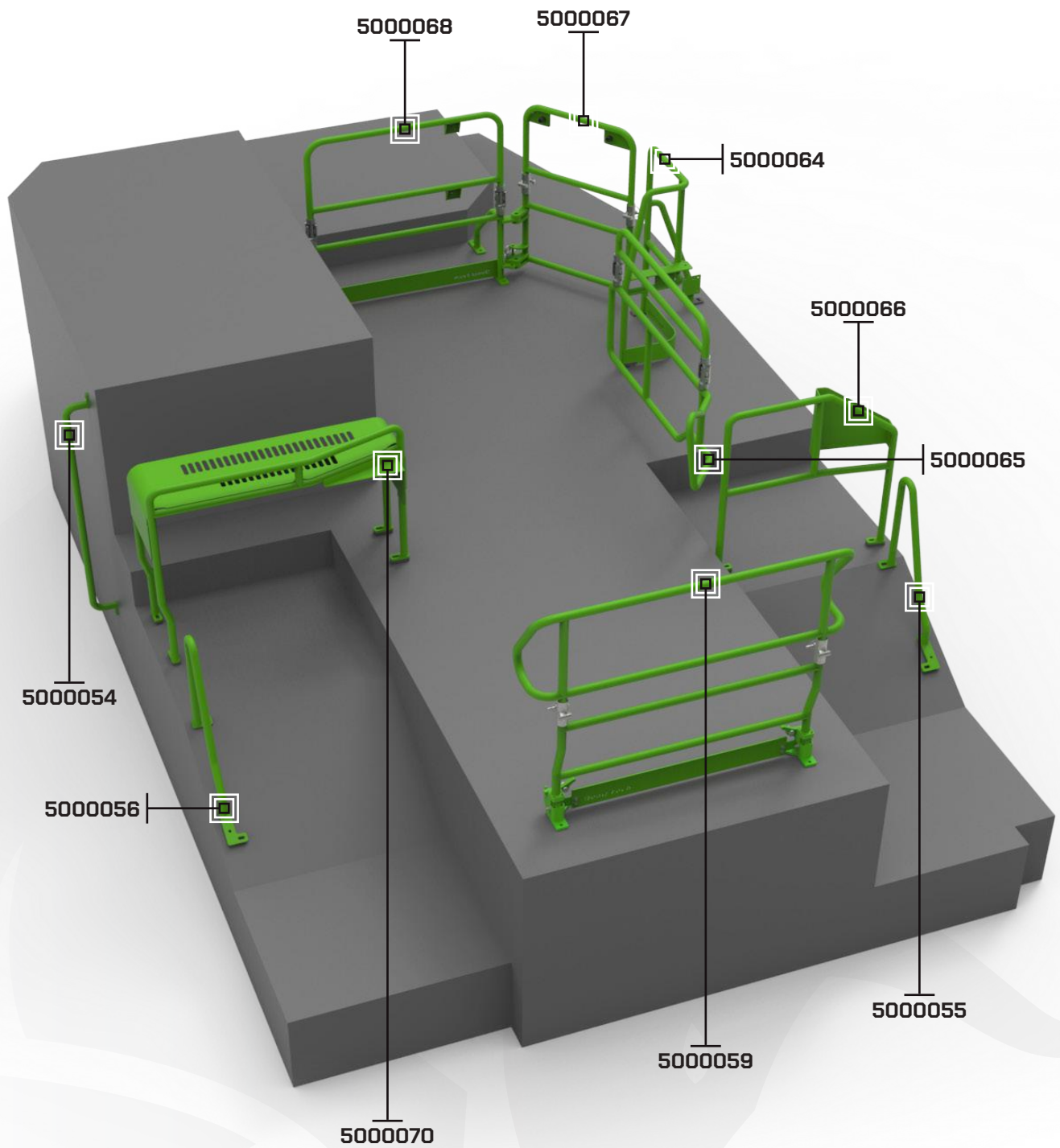


Bumper 5001935

OEM No. 166-4225 (single-unit)



5001935





Handrail 5000054

OEM No. 211-3328



Handrail 5000055

OEM No. 245-2160



Handrail 5000056

OEM No. 245-2161



Handrail 5000064

OEM No. 304-6145



Handrail 5000065

OEM No. 313-2827



Handrail 5000066

OEM No. 304-6148



Handrail 5000067

OEM No. 313-3123



Handrail 5000068

OEM No. 313-3146



Handrail 5000059

OEM No. 316-2954



Handrail 5000070

OEM No. 310-4990



Ladder 5000046

OEM No. 515-8945 (OLD 338-6547)



Bumper 5001935

OEM No. 166-4225 (single-unit)

CAT AD55 TRAY / TUB ACCESS PLATFORM

Part No. 5501846

A platform designed for the safe, certified and compliant access to the tray of the CAT AD55 DNW and JNW. Certified and compliant with Australian Standards.

Features:

- Full TIG welded, heavy-duty aluminium RHS construction
- Non-slip stairway and work area
- Safety handrails
- Self-closing gate
- High quality castor wheels
- Foldable handrail wings that align with the edges of the tray
- Fitted with jacking stands



CAT AD55 HYDRAULIC RAM CLAMP SET - 597MM

Part No. 5501387

Our tub lifting ram clamp is designed and engineered for the CAT AD55. We designed this solution due to the OEM lockout devices not providing enough height for critical maintenance to the rear axle and diff area.

Features:

- Heavy-duty steel construction
- Manual handling weights no greater than 15kg
- Eliminates the need to setup labour intensive heavy-duty support stands
- 2 x supports included
- Certified and compliant with Australian Standards

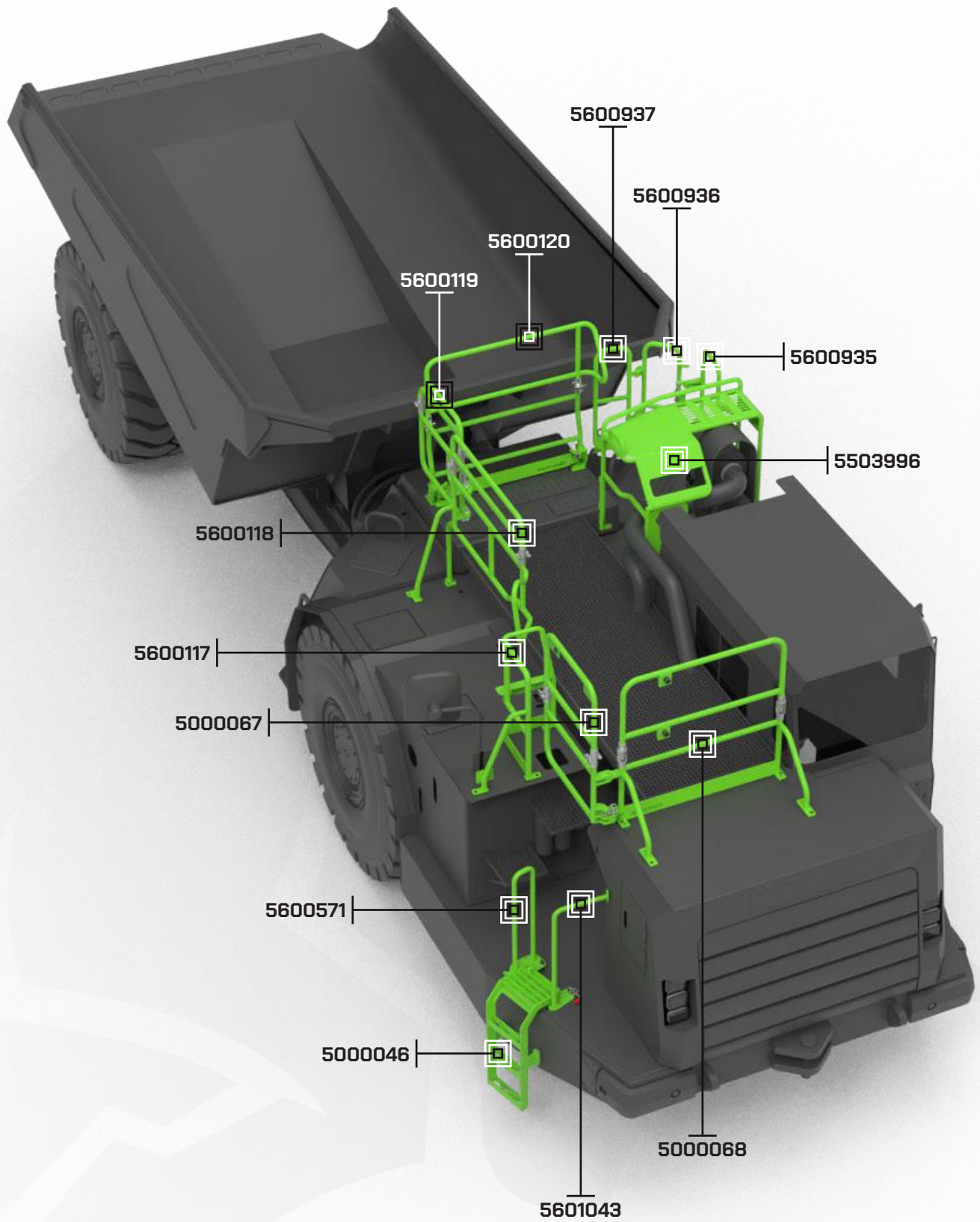


**CAT
AD60 TRUCK**



ELIMINATING DOWNTIME, MAXIMISING EFFICIENCY.







Handrail 5600118
OEM No. 393-5365



Handrail 5000067
OEM No. 313-3123



Handrail 5000068
OEM No. 313-3146



Handrail 5600120
OEM No. 370-2776



Handrail 5600117
OEM No. 366-4160



Handrail 5600119
OEM No. 393-5385



Handrail 5600935
OEM No. 567-8717



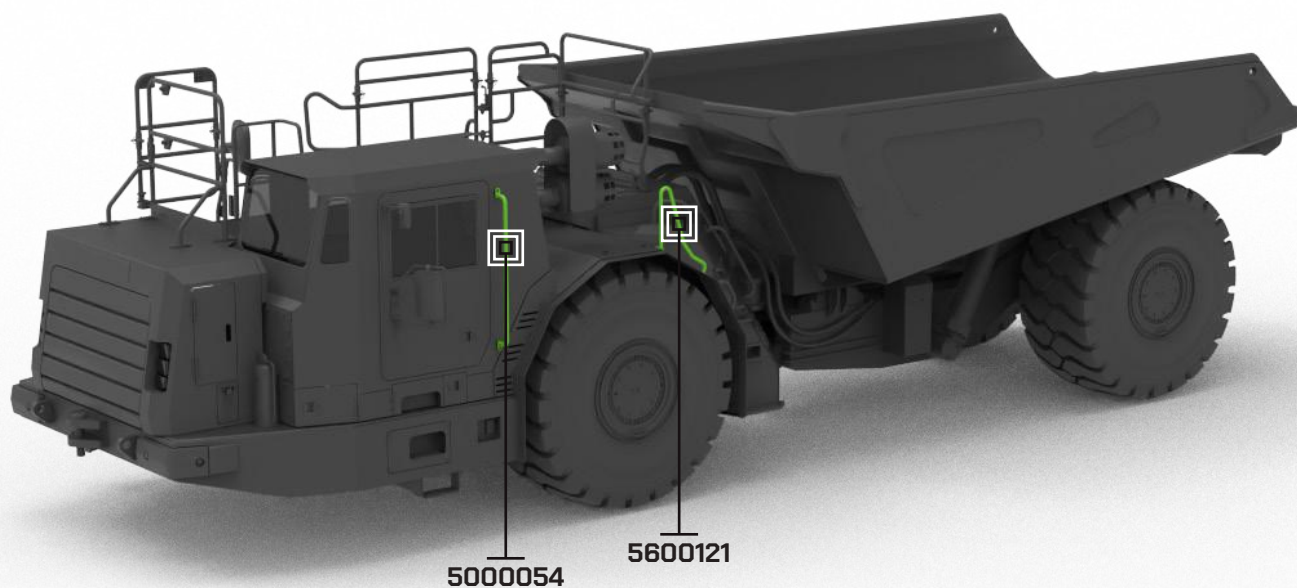
Handrail 5600936
OEM No. 567-8718



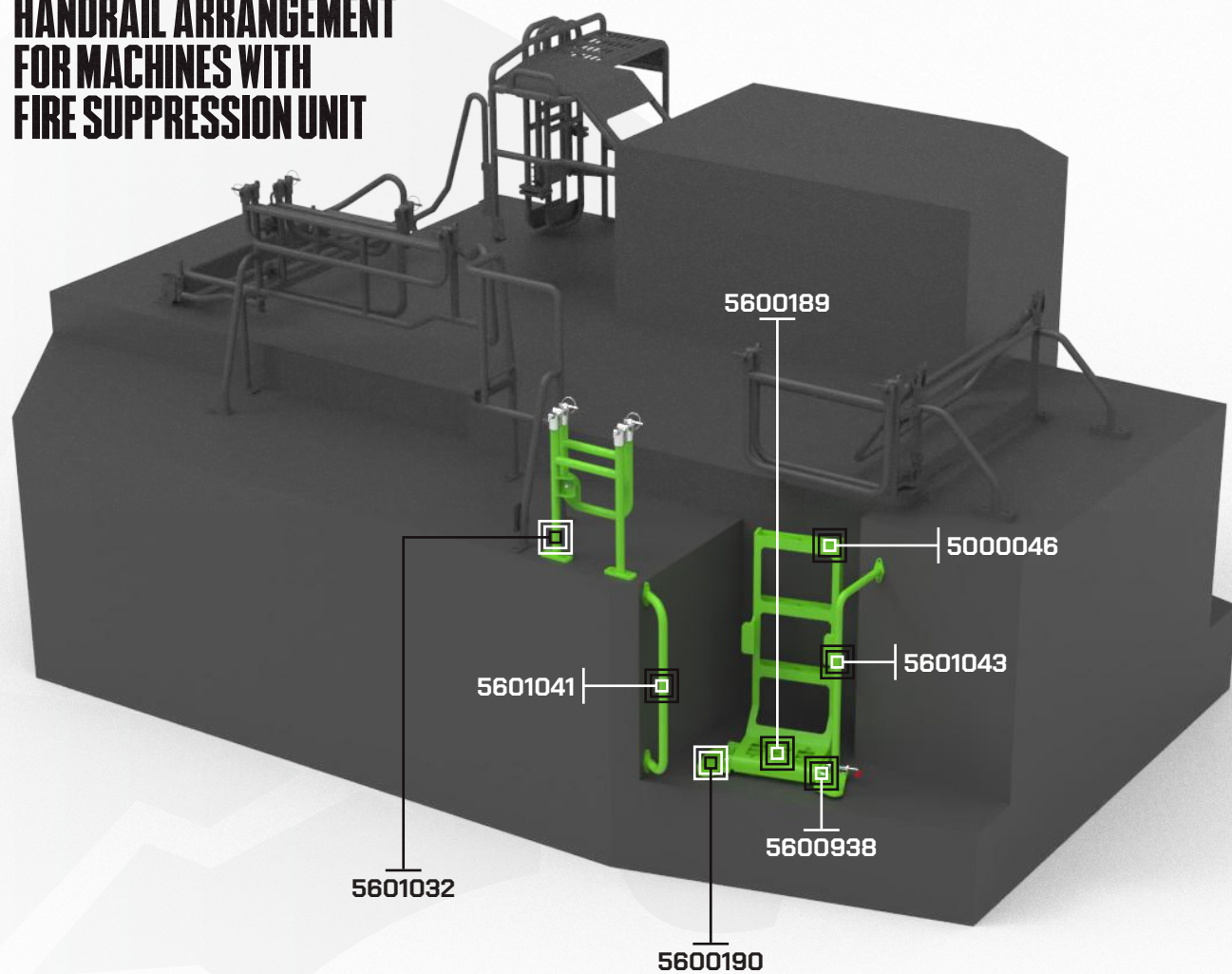
Handrail 5600937
OEM No. 567-8720



Handrail 5503996
OEM No. 567-8716 *[Suited to models with fire suppression unit fitted]*



**HANDRAIL ARRANGEMENT
FOR MACHINES WITH
FIRE SUPPRESSION UNIT**





Handrail 5000054

OEM No. 211-3328



Handrail 5600121

OEM No. 380-0075



Handrail 5601032

OEM No. 443-4991



Handrail 5600571

OEM No. 311-5194



Handrail 5601043

OEM No. 338-6514



Plate 5600190

OEM No. 453-6178



Pin 5600938

OEM No. 311-5483



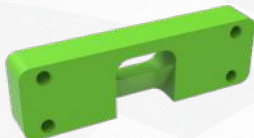
Ladder 5000046

OEM No. 515-8945 (OLD 338-6547)



Handrail 5601041

OEM No. 450-5395



Block 5600189

OEM No. 335-4773



Bumper 5001935

OEM No. 166-4225 (single-unit)

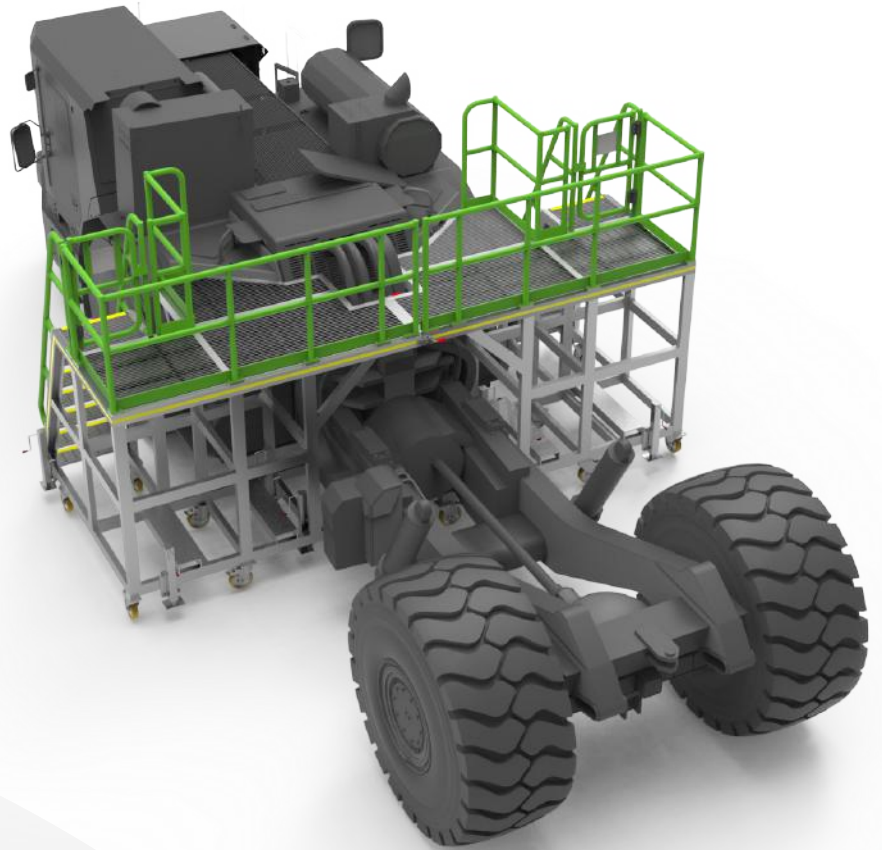
CAT AD60 REAR TRANSMISSION ACCESS PLATFORM

Part No. 5503486

A safe, certified and compliant access platform designed and engineered to access the mid-section of the CAT AD60. Certified and compliant with Australian Standards.

Features:

- Full TIG welded, heavy-duty aluminium RHS construction
- WLL: 250kg
- High quality castor wheels
- Forklift slots
- Fitted with jacking stands
- Self-closing gates



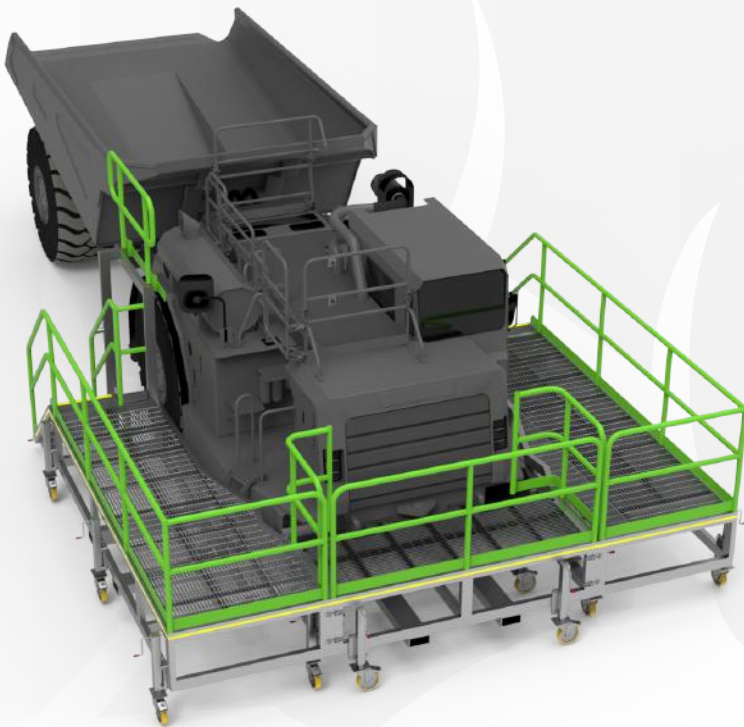
CAT AD60 FRONT ACCESS PLATFORM

Part No. 5503472

A safe, certified and compliant access platform designed and engineered to access the front end of the CAT AD60. Certified and compliant with Australian Standards.

Features:

- Full TIG welded, heavy-duty aluminium RHS construction
- WLL: 600kg per platform section
- Platforms allow easy access to the front of the cab and around the sides
- Modular design, split into 3 sections for ease of transport and use
- Sections simply latch together
- Double height handrails at points to prevent falls
- Non-slip nosings on all stair treads
- Safety handrails with kickplates
- Drop-in removable handrails between sections
- High quality castor wheels
- Self-closing gates
- Forklift slots



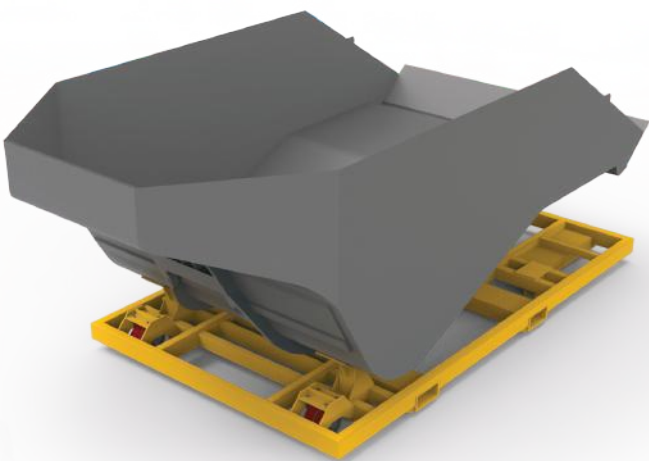
CAT AD60 TUB TRANSPORT FRAME

Part No. 5303154

The transport frame is designed and engineered for the safe, efficient and easy movement of CAT AD60 tubs in the field.

Features:

- Heavy-duty steel construction
- WLL: 14T
- Rubber pads on contact surfaces
- Fitted with heavy-duty roller wheels
- Painted to specific requirements
- Forklift slots



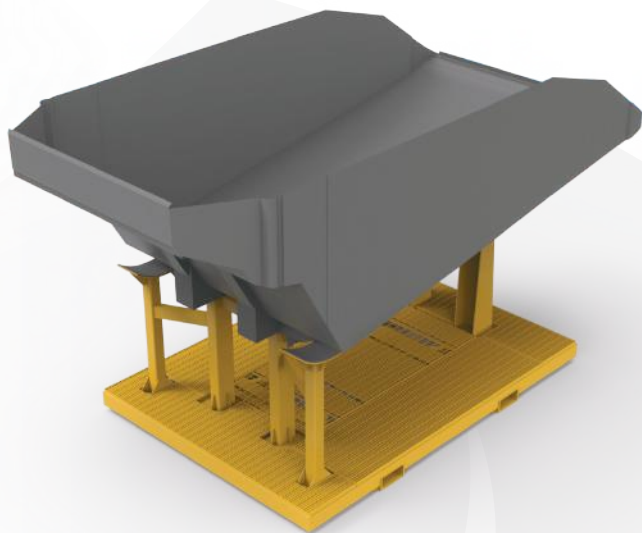
CAT AD60 TUB WORKSHOP FRAME

Part No. 5503154

The workshop frame is designed and engineered to allow for safe, efficient and easy maintenance or refurbishment of AD60 and MT65 tubs in the workshop.

Features:

- Heavy-duty steel construction
- WLL: 14T
- Rubber pads on contact surfaces
- Heavy-duty grating deck
- Painted to specific requirements
- Forklift slots



CAT AD60 SKID STAND

Part No. 5502519

A stand used for the skid on the CAT AD60, engineered and certified in compliance with Australian Standards.

Features:

- Heavy-duty steel construction
- WLL: 25T
- Finished in Y-14 safety yellow
- Height: 550mm
- Forklift slots

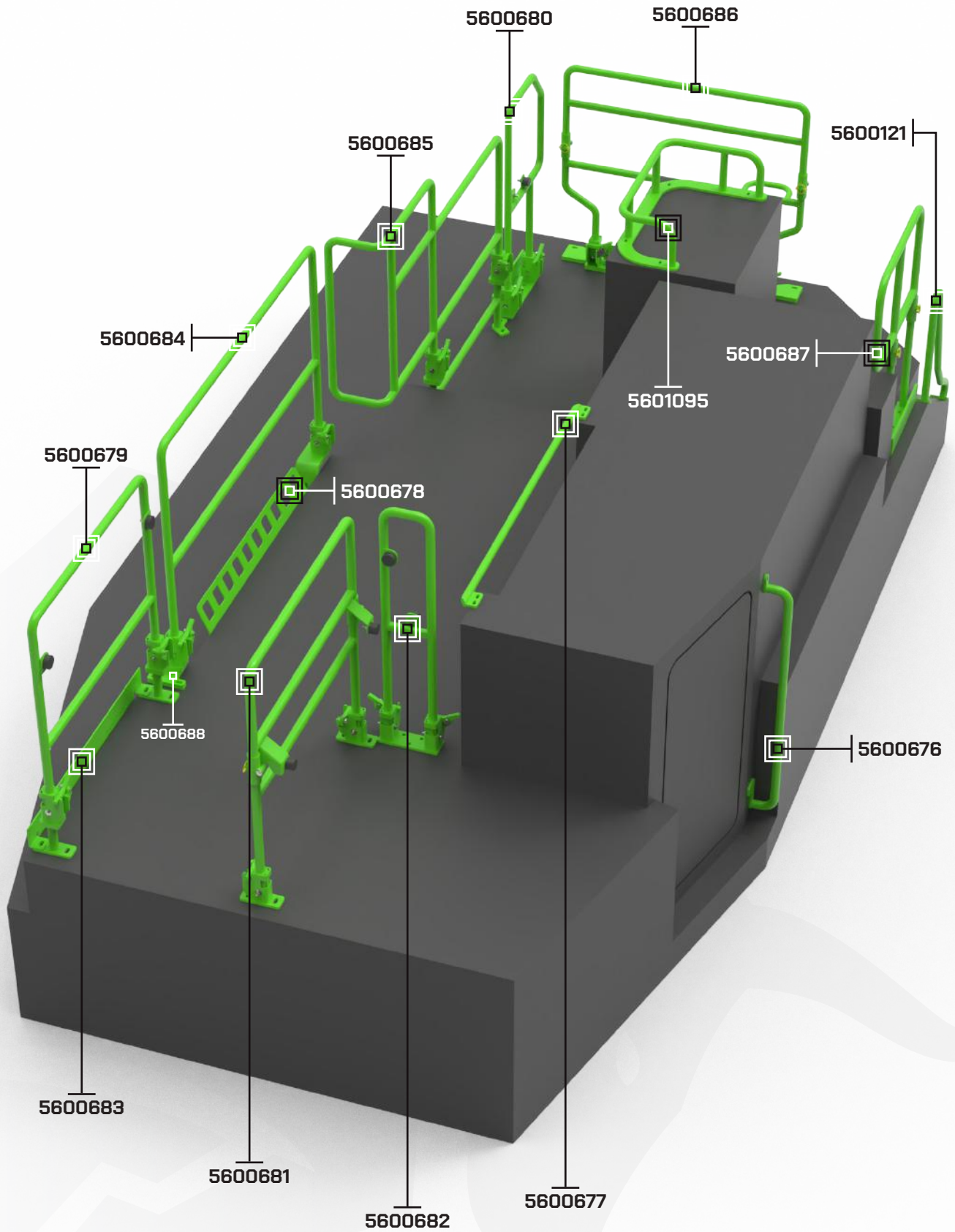


**CAT
AD63 TRUCK**



ELIMINATING DOWNTIME, MAXIMISING EFFICIENCY.







Handrail 5600684

OEM No. 557-5253



Handrail 5600681

OEM No. 548-9050



Handrail 5600679

OEM No. 548-5995



Handrail 5600686

OEM No. 557-5284



Handrail 5600685

OEM No. 557-5264



Handrail 5600687

OEM No. 557-5289



Handrail 5601095

OEM No. 557-5289



Handrail 5600682

OEM No. 557-5240



Handrail 5600680

OEM No. 548-9049



Handrail 5600676

OEM No. 540-2857



Mount Plate 5600688

OEM No. 557-6438



Handrail 5600121

OEM No. 380-0075



Handrail 5600677

OEM No. 540-2860



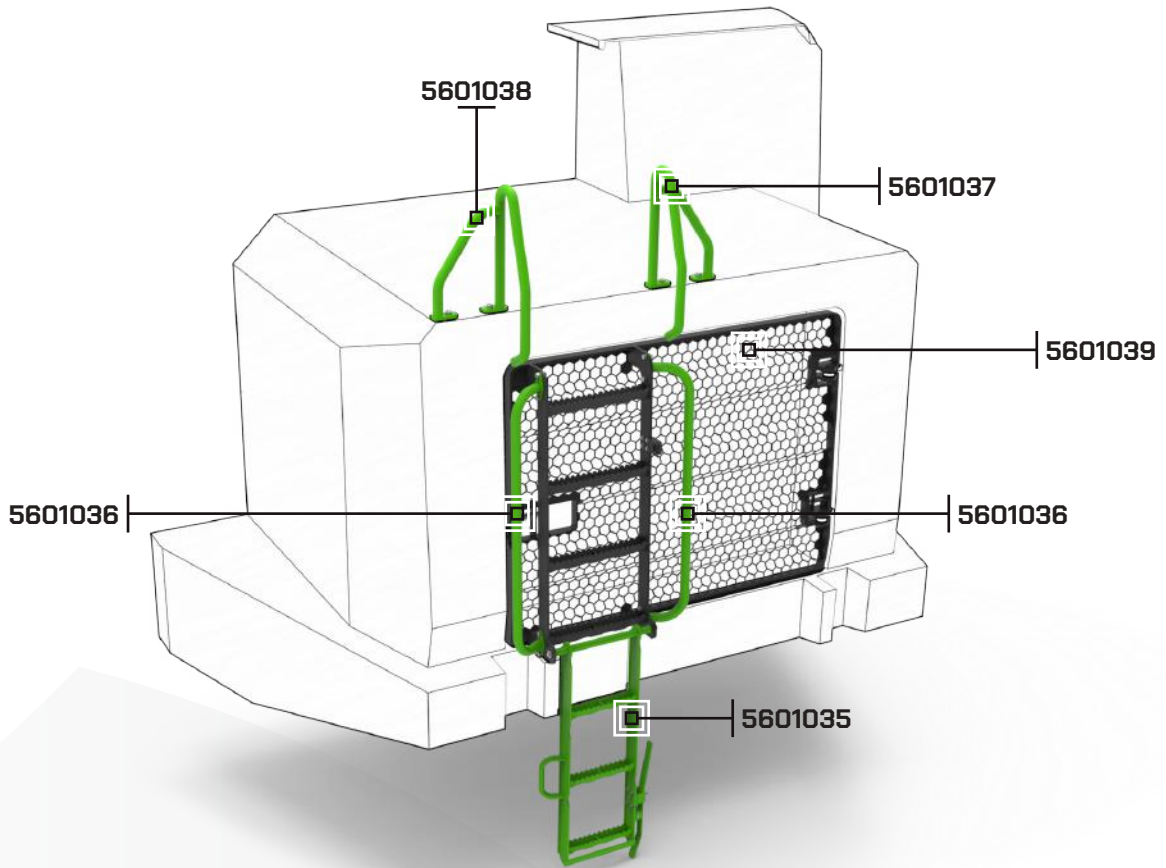
Kickplate 5600683

OEM No. 557-5245



Kickplate 5600678

OEM No. 543-5339



Handrail 5601036 [2 Required]
OEM No. 543-3655



Handrail 5601038
OEM No. 543-3779



Handrail 5601037
OEM No. 564-2857



Ladder 5601035
OEM No. 543-3652



Front Grille 5601039
OEM No. 543-3649



Bumper 5001935
OEM No. 166-4225 (single-unit)

CAT AD63 HANDRAIL STORAGE RACK

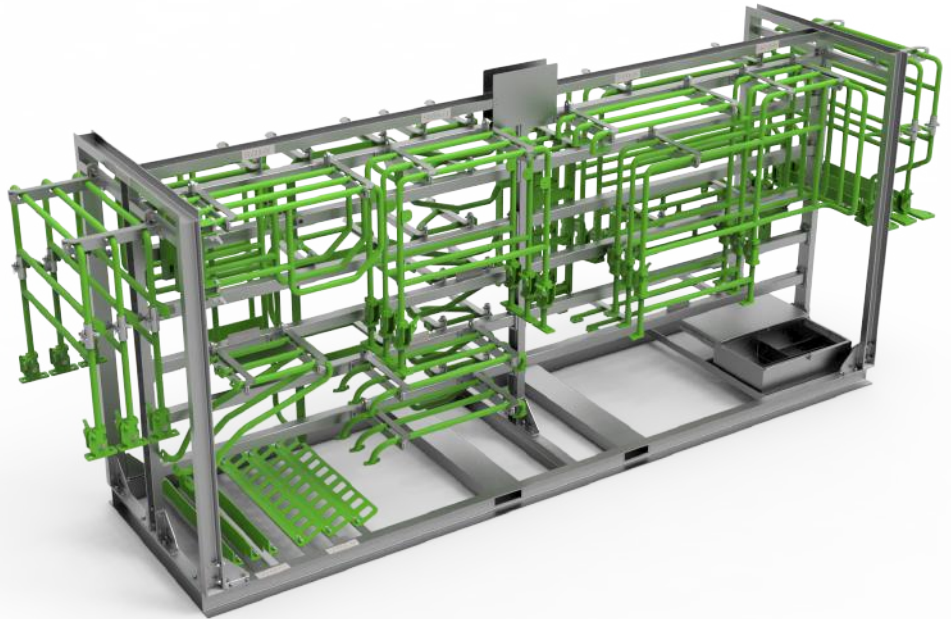
Part No. 5507477

Suits ROX's OEM replacement handrails. Certified and compliant with Australian Standards.

This handrail storage rack allows sites to access replacement handrails quickly and easily, without waiting for freight.

Features:

- Heavy-duty steel construction
- Heavy-duty hot dip galvanised finish
- All required signage incorporated
- Rack capacity: 3 complete sets
- Forklift slots
- Handrails not included



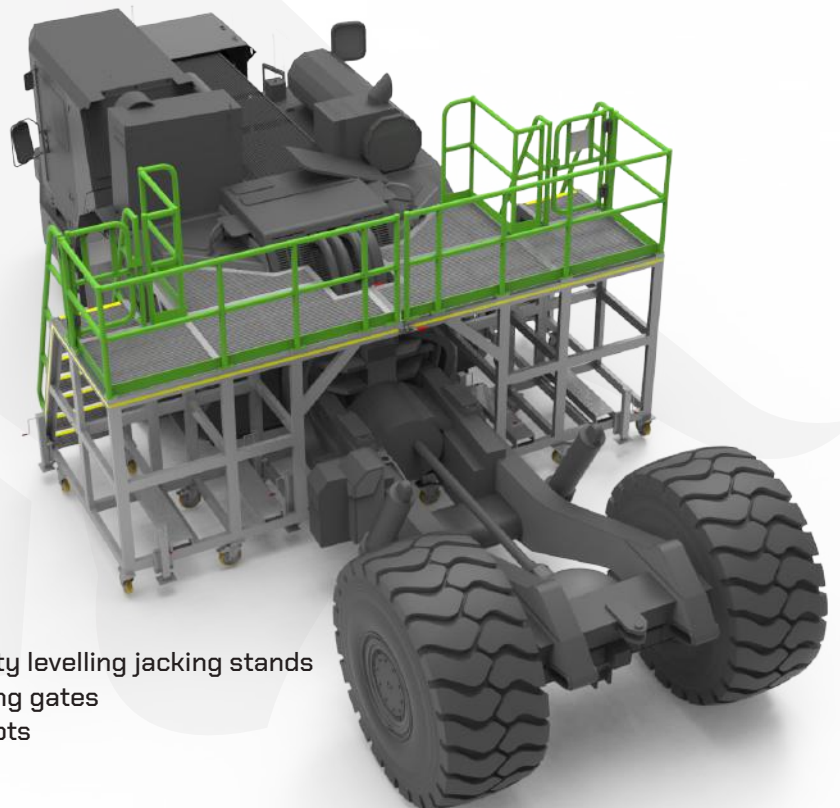
CAT AD63 TRANSMISSION ACCESS PLATFORM

Part No. 5506357

A platform designed and engineered to allow technicians/operators to safely access the transmission for maintenance. LH and RH platforms lock together. Certified and compliant with Australian Standards.

Features:

- Full TIG welded, heavy-duty aluminium RHS construction
- WLL: 250kg
- Latch locking design
- Non-slip, serrated grating work deck and stair treads
- Non-slip nosings on all stair treads
- Bolt-on handrails with kickplates
- High quality castor wheels
- Heavy-duty levelling jacking stands
- Self-closing gates
- Forklift slots



CAT AD63 TRAY / TUB ACCESS PLATFORM

Part No. 5506359

A platform designed and engineered to provide safe and efficient access to the tray of the CAT AD63. Swing out gates block off gaps that technicians/operators could fall out of and can be wheeled or forklifted into position. Certified and compliant with Australian Standards.

Features:

- Full TIG welded, heavy-duty aluminium RHS construction
- WLL: 250kg
- Latch locking design
- Non-slip, serrated grating work deck and stair treads
- Non-slip nosings on all stair treads
- Bolt-on handrails with kickplates
- High quality castor wheels
- Heavy-duty levelling jacking stands
- Self-closing gates
- Swing gates with magnetic clamps
- Forklift slots



CAT AD63 FRONT ACCESS PLATFORM

Part No. 5506355

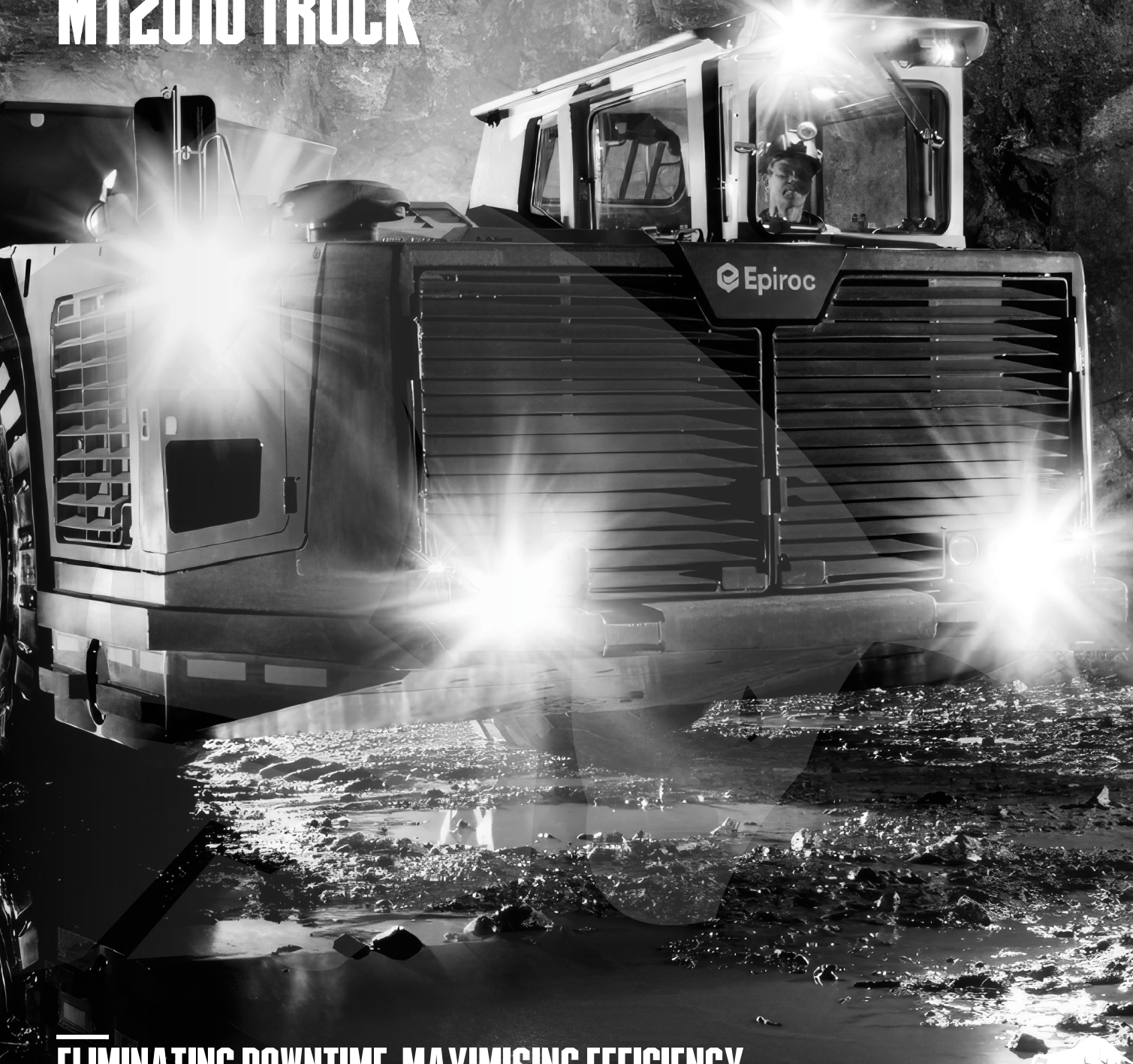
Platform to fit around the front of the machine for easier and safe access during maintenance. Covers both sides with step access. Certified and compliant with Australian Standards.

Features:

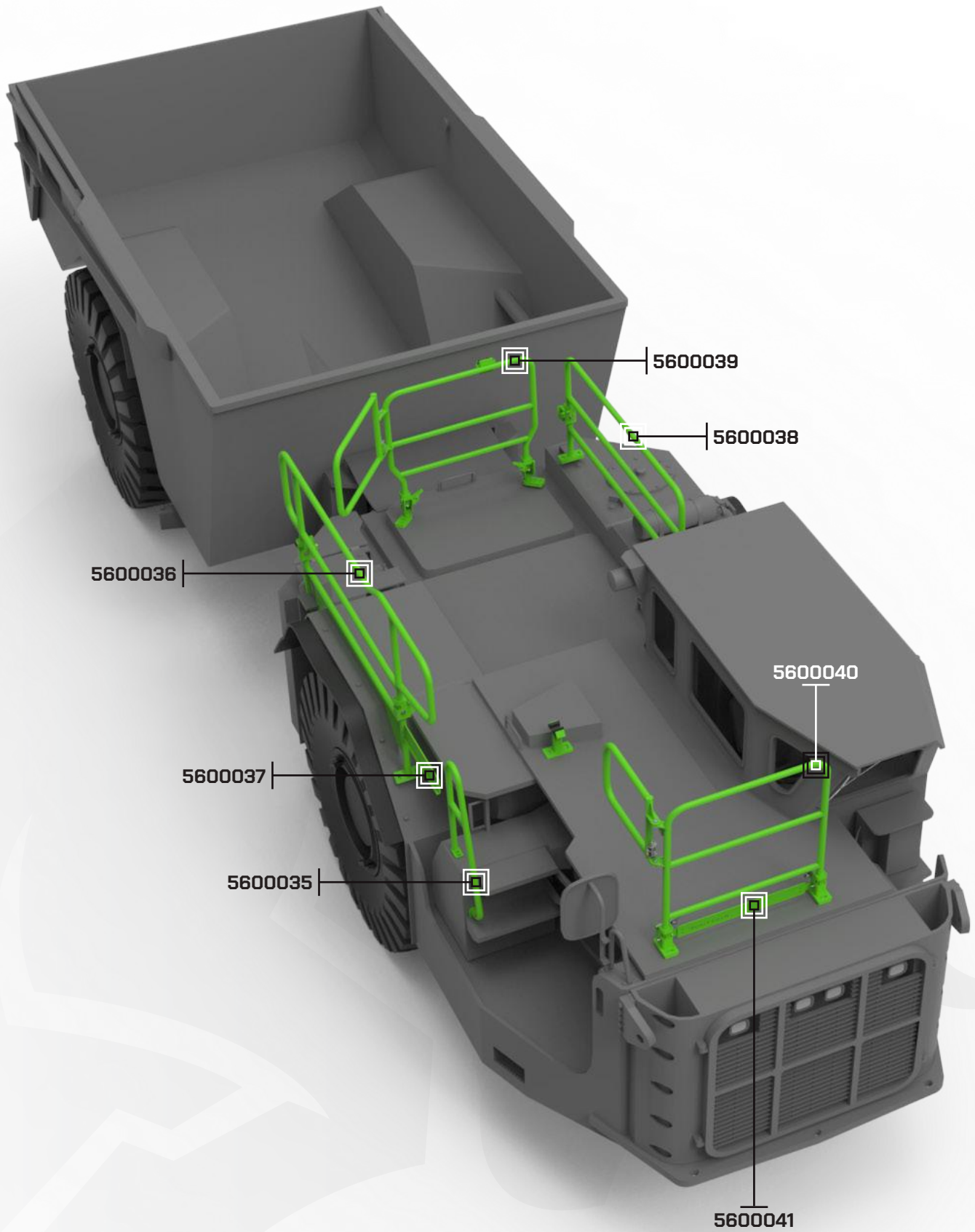
- Full TIG welded, heavy-duty aluminium RHS construction
- WLL: 600kg
- Latch locking design
- Non-slip, serrated grating work deck and stair treads
- Non-slip nosings on all stair treads
- Bolt-on handrails with kickplates
- High quality castor wheels
- Heavy-duty levelling jacking stands
- Self-closing gates
- Removable handrails
- Forklift slots



**EPIROC
MT2010 TRUCK**



ELIMINATING DOWNTIME, MAXIMISING EFFICIENCY.





Handrail 5600035



Handrail 5600036



Handrail 5600040



Handrail 5600038



Handrail 5600039



Kickplate 5600037



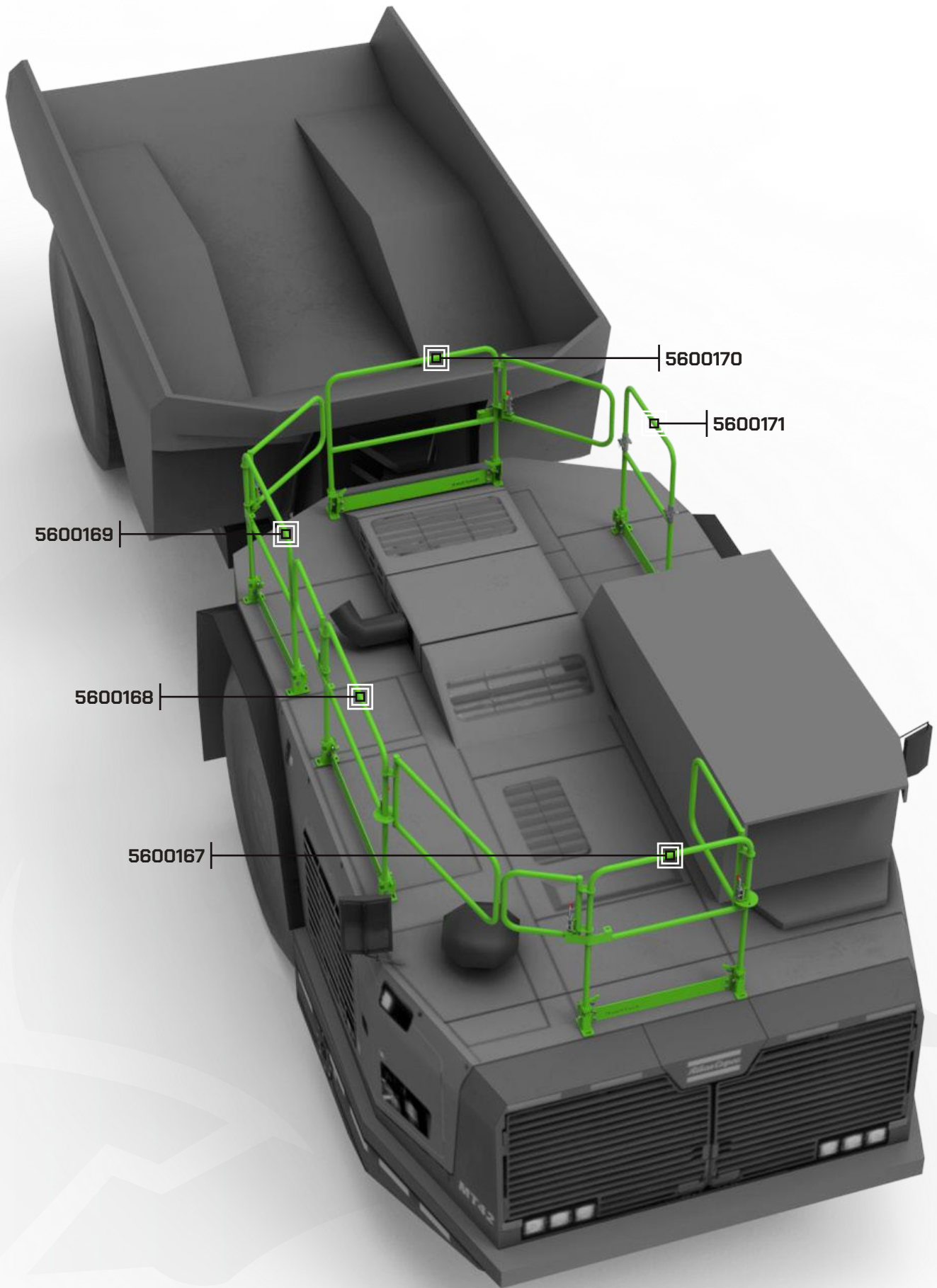
Kickplate 5600041

**EPIROC
MT42 TRUCK**



ELIMINATING DOWNTIME, MAXIMISING EFFICIENCY.







Handrail 5600167



Handrail 5600168



Handrail 5600169



Handrail 5600170



Handrail 5600171

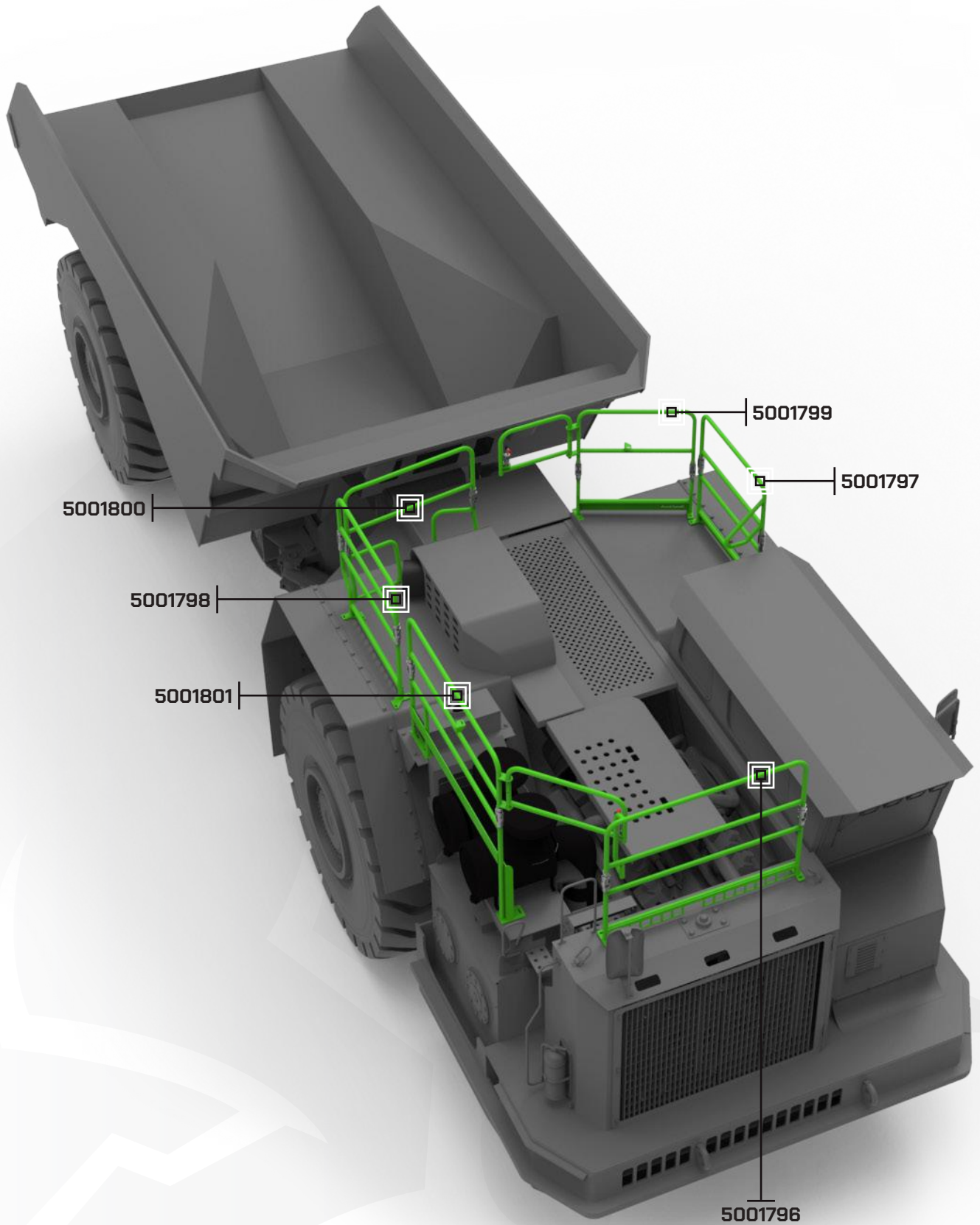
**ELIMINATING DOWNTIME,
MAXIMISING EFFICIENCY.**

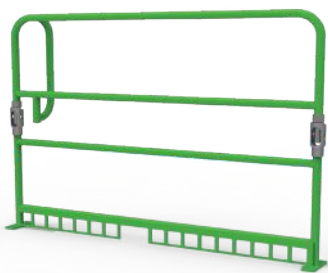
EPIROC
MT5020 / MT6020 TRUCK



ELIMINATING DOWNTIME, MAXIMISING EFFICIENCY.







Handrail 5001796



Handrail 5001797



Handrail 5001798



Handrail 5001799



Handrail 5001800



Handrail 5001801



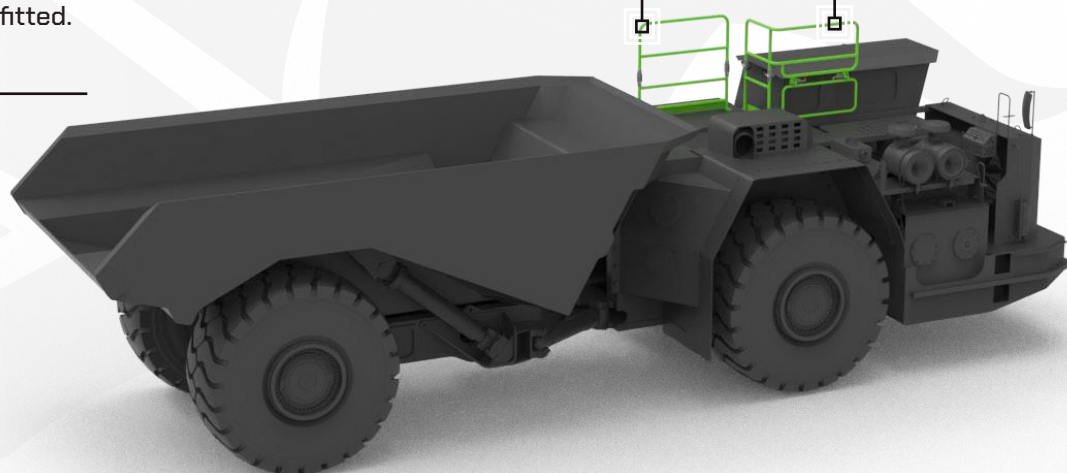
Handrail 5001930

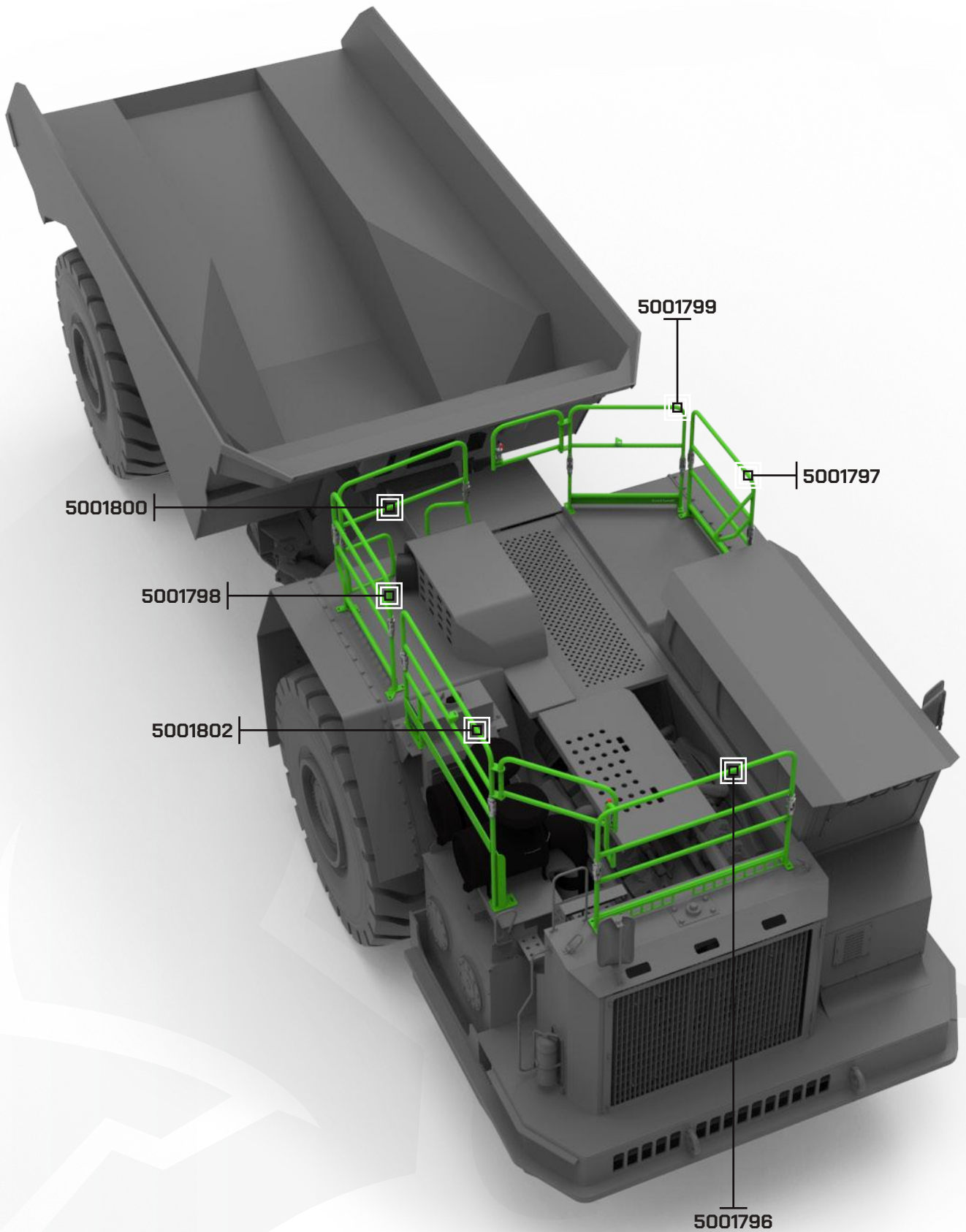
*This handrail is designed for trucks that have rencool aircon vent fitted.

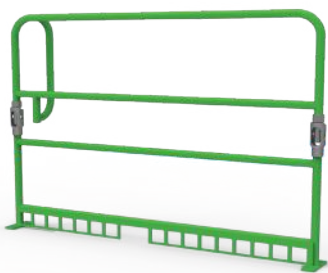
Replaces 5001799

Cab-up Handrail 5001954

Tier 1 & 2 Handrail 5001953







Handrail 5001796



Handrail 5001797



Handrail 5001798



Handrail 5001799



Handrail 5001800



Handrail 5001802



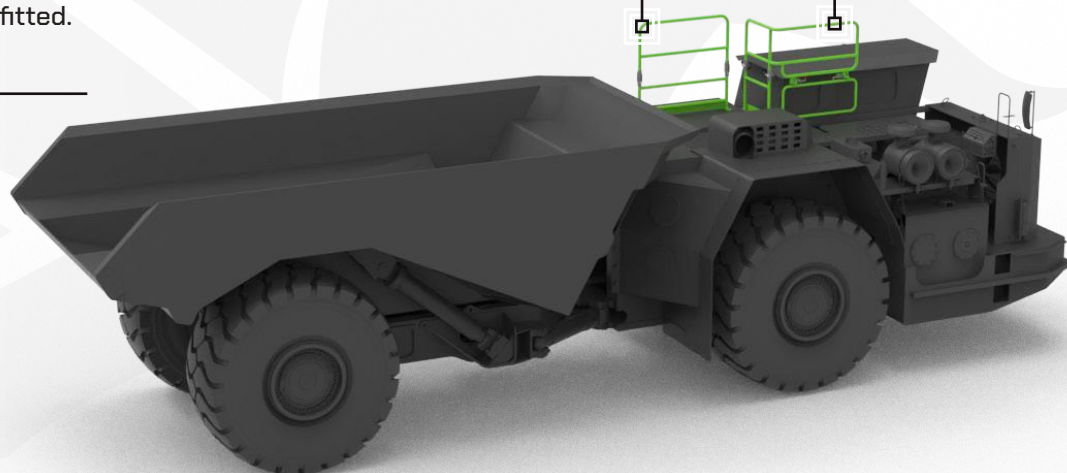
Handrail 5001930

*This handrail is designed for trucks that have rencool aircon vent fitted.

Replaces 5001799

Cab-up Handrail 5001954

Tier 1 & 2 Handrail 5001953



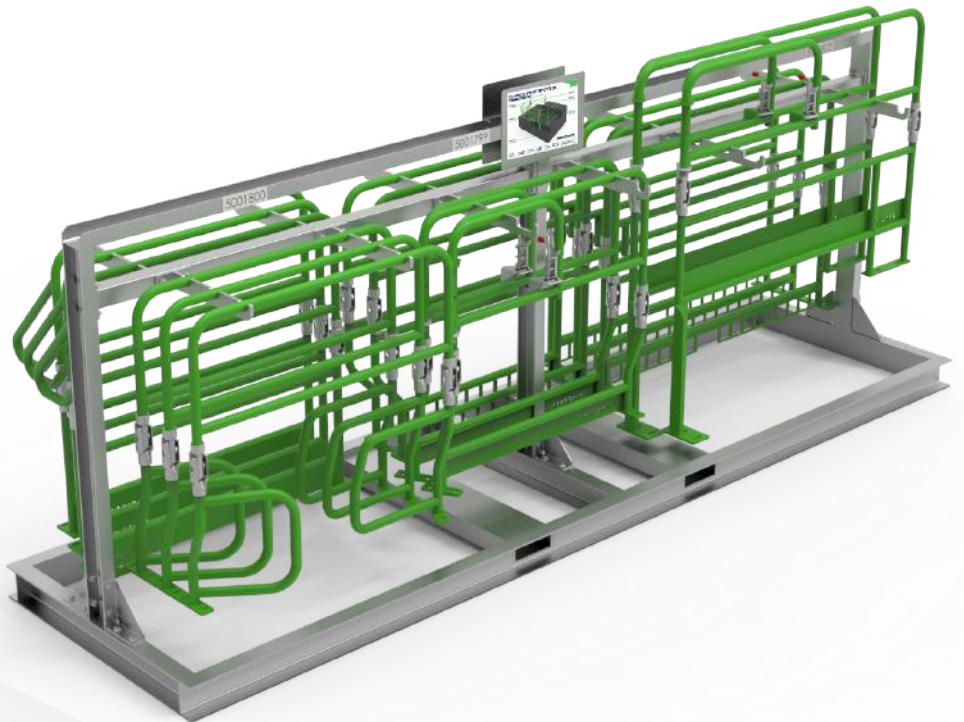
EPIROC MT6020 - TIER 2 HANDRAIL STORAGE RACK

Part No. 5503985

Epiroc MT6020 Handrail - full set.
Suits ROX OEM replacement handrails.
Certified and compliant with Australian Standards. This handrail storage rack allows sites to access replacement handrails quickly and easily, without waiting for freight.

Features:

- Heavy-duty steel construction
- Heavy-duty hot dip galvanised finish
- All required signage incorporated
- Rack capacity: 3 complete sets
- Forklift slots
- Handrails not included



EPIROC MT6020 HYDRAULIC RAM CLAMP SET - 1780MM

Part No. 5502784

Our tub lifting ram clamp is designed and engineered for the Epiroc MT5020 and MT6020 underground machines. We designed this solution due to the OEM lockout devices not providing enough height for critical maintenance to the rear axle and diff area. Certified and compliant with Australian Standards.

Features:

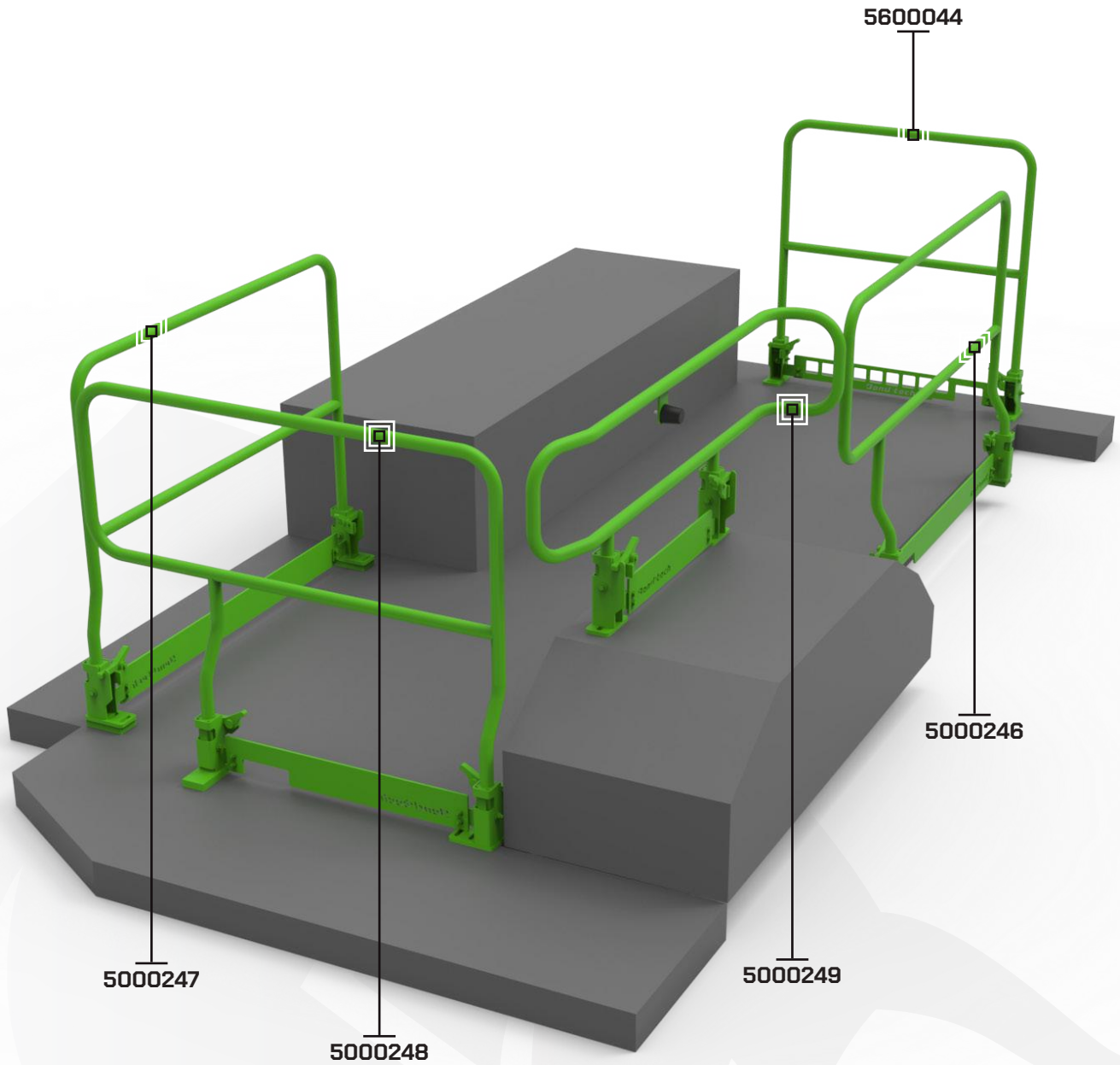
- WLL: 8T each set
- Safe and supported load during maintenance
- Provides the height and safety required for maintenance
- Easy to install and lock into place
- Allows necessary access to the rear axle and diff area
- Load rated handles for hoist install
- Set includes two clamps
- Suits Tier 1 and Tier 2



**EPIROC
MT54 / MT65 TRUCK**

ELIMINATING DOWNTIME, MAXIMISING EFFICIENCY.







Handrail 5600044



Handrail 5000246



Handrail 5000247



Handrail 5000248



Handrail 5000249



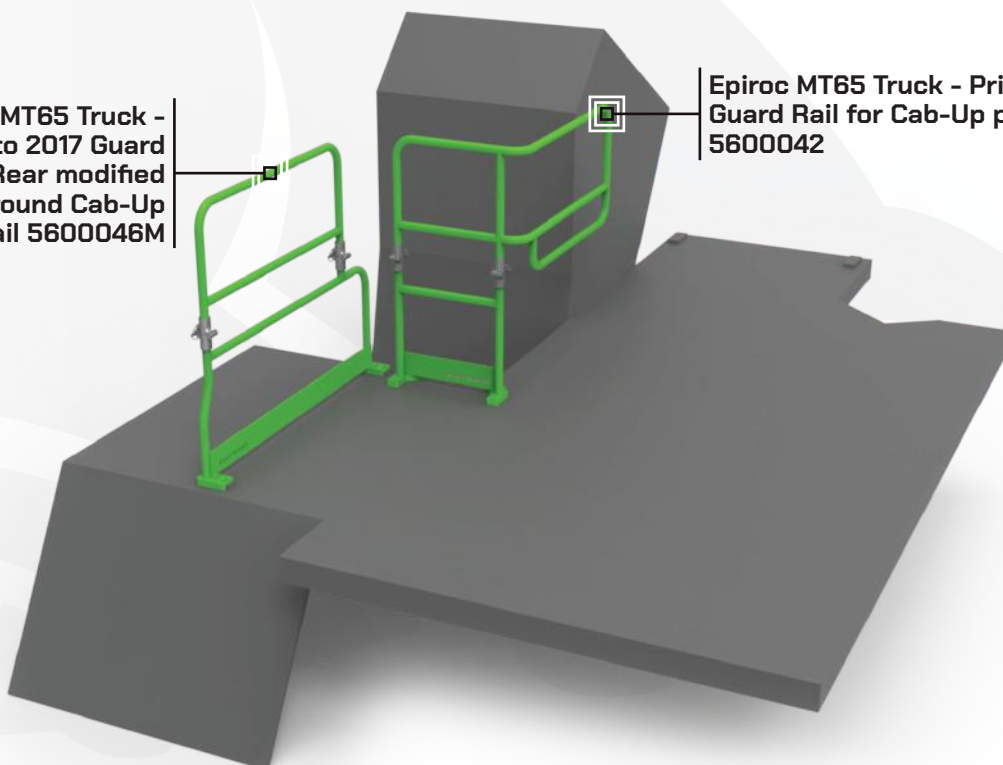
**Grab Rail 1
5600060**

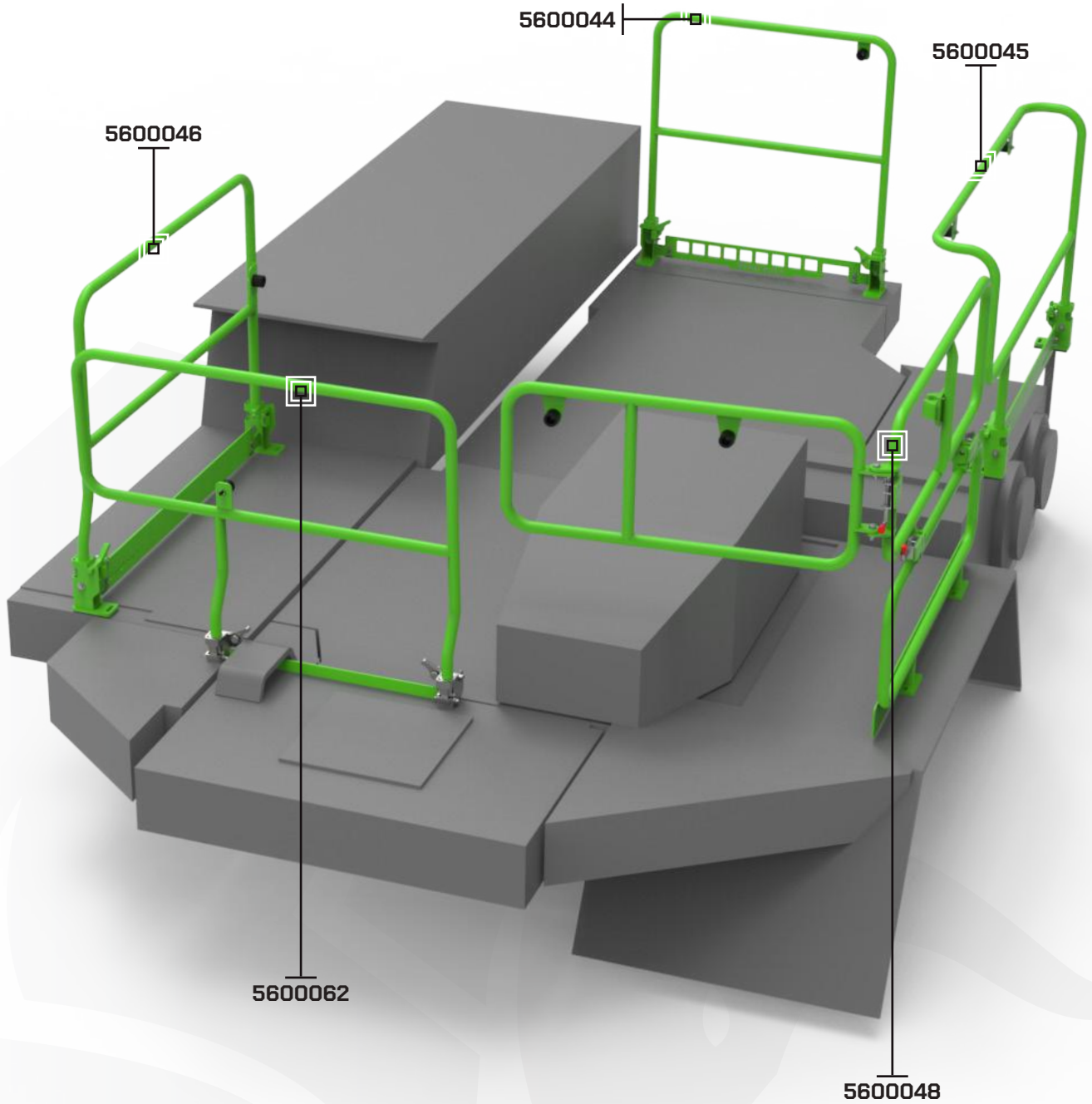


**Grab Rail 3
5600059**

Epiroc MT65 Truck -
Prior to 2017 Guard
Rail LH Rear modified
to fold around Cab-Up
Handrail 5600046M

Epiroc MT65 Truck - Prior to 2017
Guard Rail for Cab-Up position
5600042







Handrail 5600044
OEM No. 5590020660



Handrail 5600045
OEM No. 5590014759



Handrail 5600046
OEM No. 5590025485



Handrail 5600047
OEM No. 5590018319



Handrail 5600048
OEM No. 5590026346

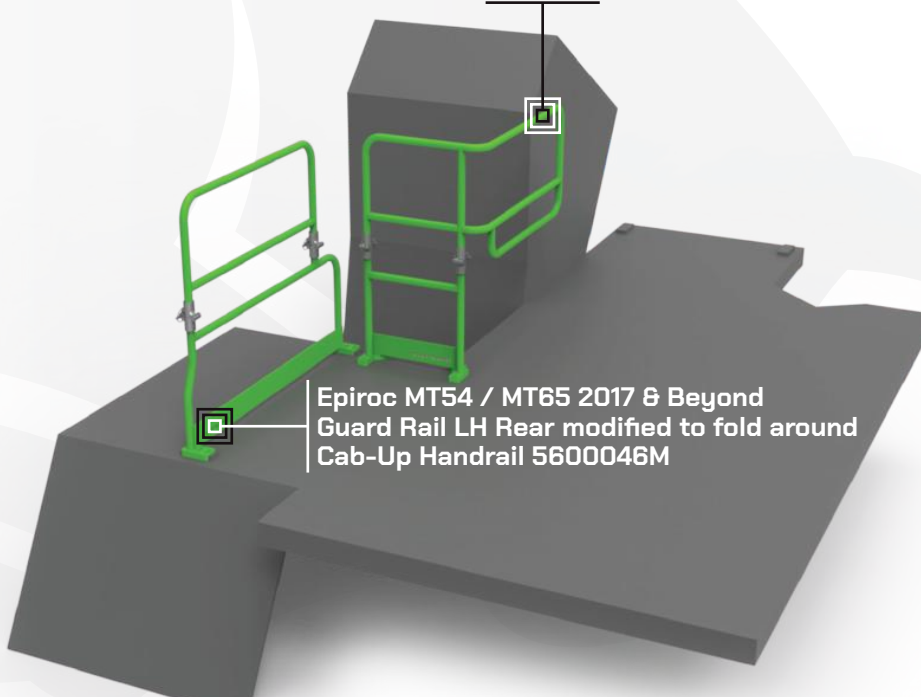


Grab Rail 1
5600060



Grab Rail 3
5600059

**Epiroc MT54 / MT65 2017 & Beyond
Guard Rail for Cab-Up position
5600042**



**Epiroc MT54 / MT65 2017 & Beyond
Guard Rail LH Rear modified to fold around
Cab-Up Handrail 5600046M**

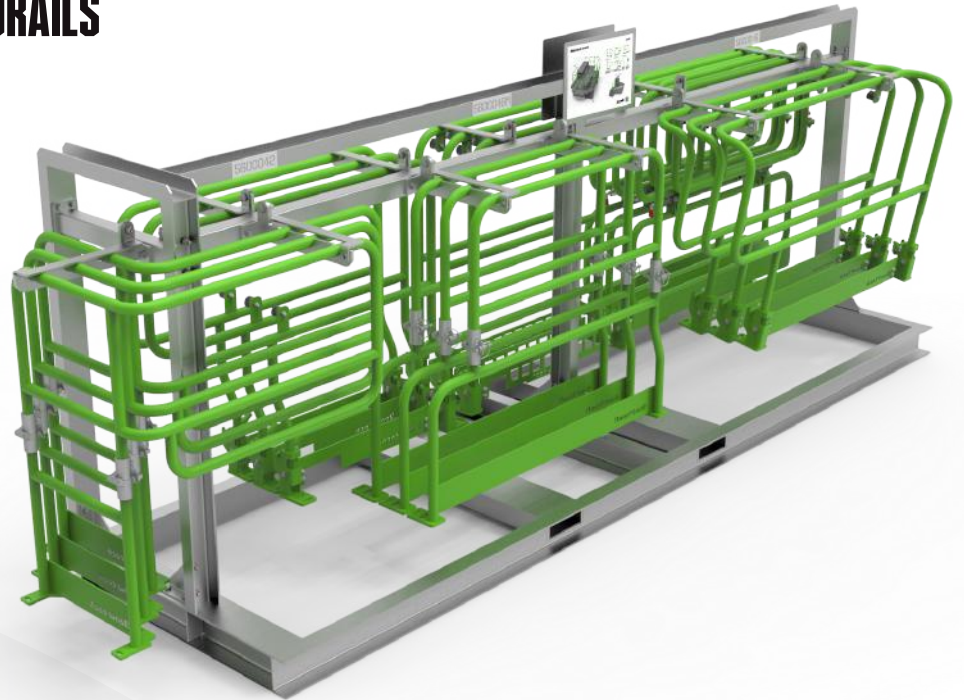
EPIROC MT54 / MT65 TRUCK HANDRAIL STORAGE RACK ACCOMMODATES CAB-UP HANDRAILS

Part No. 5600816

Epiroc MT54 / MT65 Truck Handrail – full set. Suits ROX OEM replacement handrails. Certified and compliant with Australian Standards. This handrail storage rack allows sites to access replacement handrails quickly and easily, without waiting for freight.

Features:

- Heavy-duty steel construction
- Heavy-duty hot dip galvanised finish
- All required signage incorporated
- Rack capacity: 3 complete sets
- Accommodates cab-up handrails
- Forklift slots
- Handrails not included



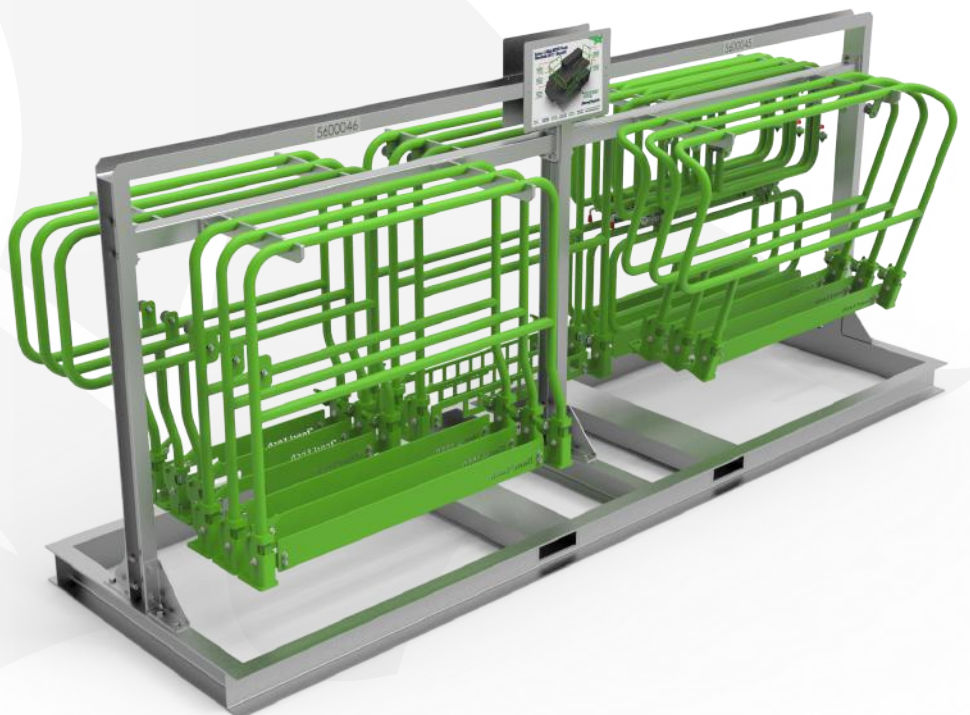
EPIROC MT65 HANDRAIL STORAGE RACK

Part No. 5502897

Epiroc MT65 2017 and Beyond Handrail - full set. Suits ROX OEM replacement handrails. Certified and compliant with Australian Standards. This handrail storage rack allows sites to access replacement handrails quickly and easily, without waiting for freight.

Features:

- Heavy-duty steel construction
- Heavy-duty hot dip galvanised finish
- All required signage incorporated
- Rack capacity: 3 complete sets
- Forklift slots
- Handrails not included



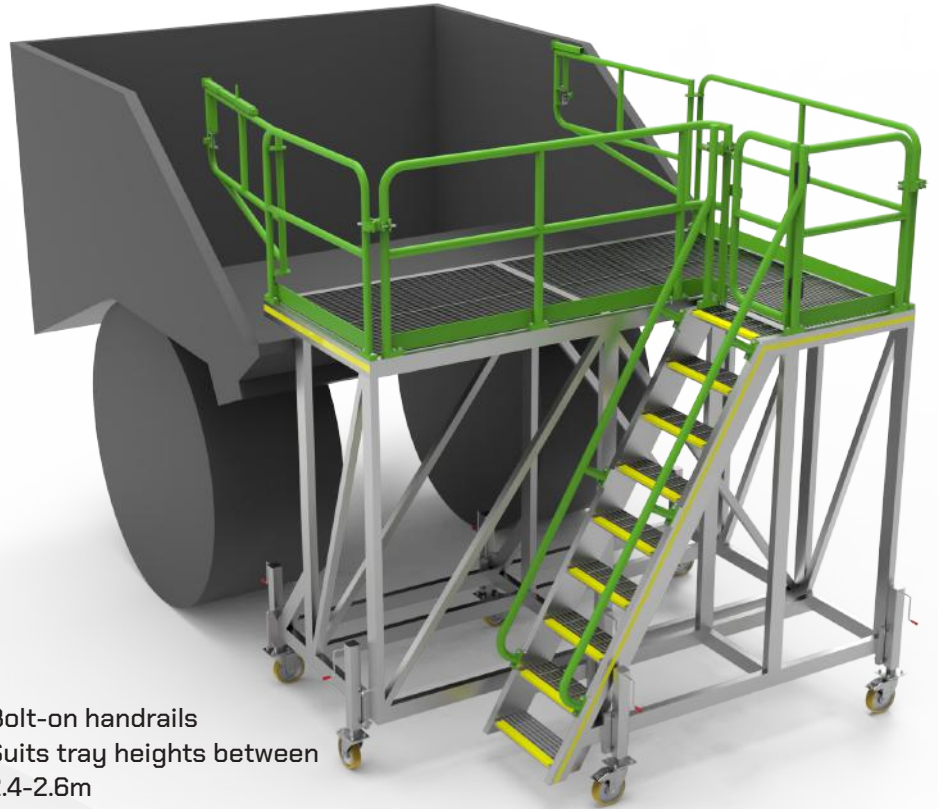
EPIROC MT65 REAR TRAY ACCESS PLATFORM

Part No. 5503288

A platform designed and engineered to provide safe and efficient access to the rear tray of the Epiroc MT65 for maintenance and inspection. Includes jacking stands with wheels to allow for tray height variances. Certified and compliant with Australian Standards.

Features:

- Full TIG welded, heavy-duty aluminium RHS construction
- WLL: 250kg
- Non-slip, serrated grating for deck and stair treads
- Non-slip nosings on all stair treads
- Self-closing gate
- Swinging side gates for protection when in tray
- Bolt-on handrails
- Suits tray heights between 2.4-2.6m
- Internal tray width of 3.3m minimum



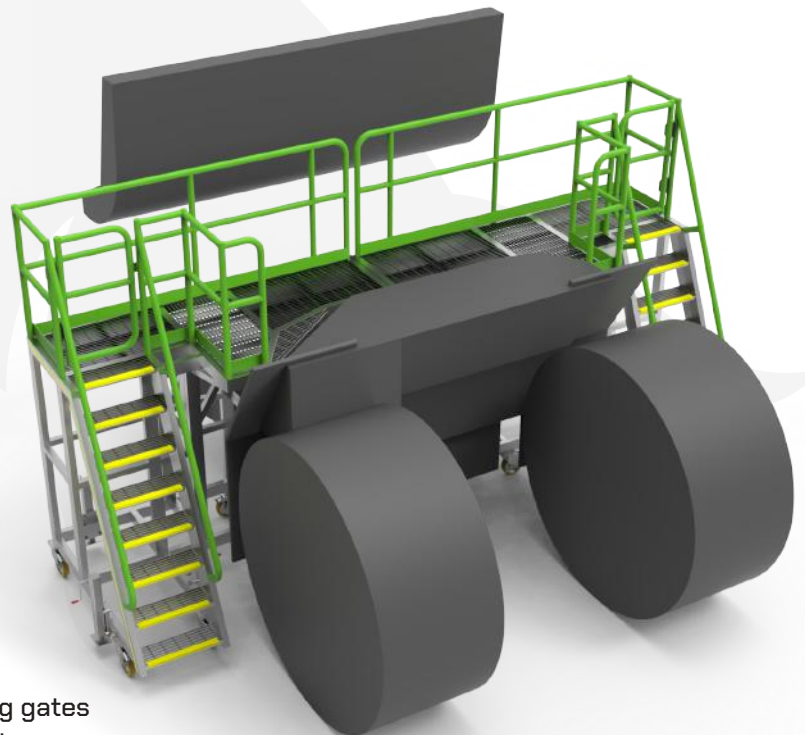
EPIROC MT65 TRANSMISSION ACCESS PLATFORM

Part No. 5503302

A platform designed and engineered to provide safe and efficient access to the transmission area of the Epiroc MT65 for maintenance and inspection. Certified and compliant with Australian Standards.

Features:

- Full TIG welded, heavy-duty aluminium RHS construction
- WLL: 250kg per platform
- Platforms split in the middle and latch together
- Non-slip, serrated grating for deck and stair treads
- Non-slip nosings on all stair treads
- High quality castor wheels
- Heavy-duty levelling jack stands
- Self-closing gates
- Forklift slots



EPIROC MT65 WINDSCREEN ACCESS PLATFORM

Part No. 5507922

An engineered and certified solution which provides safe and efficient access to the windscreen on the Epiroc MT65 drill. Ideal for windscreen changeout, maintenance or inspection.

Features:

- Full TIG welded, heavy-duty aluminium RHS construction
- WLL: 150kg
- Non-slip, serrated grating work deck and stair treads
- Non-slip nosings on all stair treads
- Bolt-on safety handrails with kickplates
- High quality German made Castor Wheels
- Safety drop bar



EPIROC MT65 CAB OFF ENGINE ACCESS PLATFORM

Part No. 5607921

A certified access platform designed to provide safe and efficient access to the engine of the Epiroc MT65 underground truck when the cab is removed. Certified and compliant with Australian Standards.

Features:

- Full TIG welded, heavy-duty aluminium RHS construction
- Non-slip, serrated grating work deck and stair treads
- Non-slip nosings on all stair treads
- Green bolt-on safety handrails with kickplates
- High quality German made castor wheels
- Self-closing gate
- Forklift slots



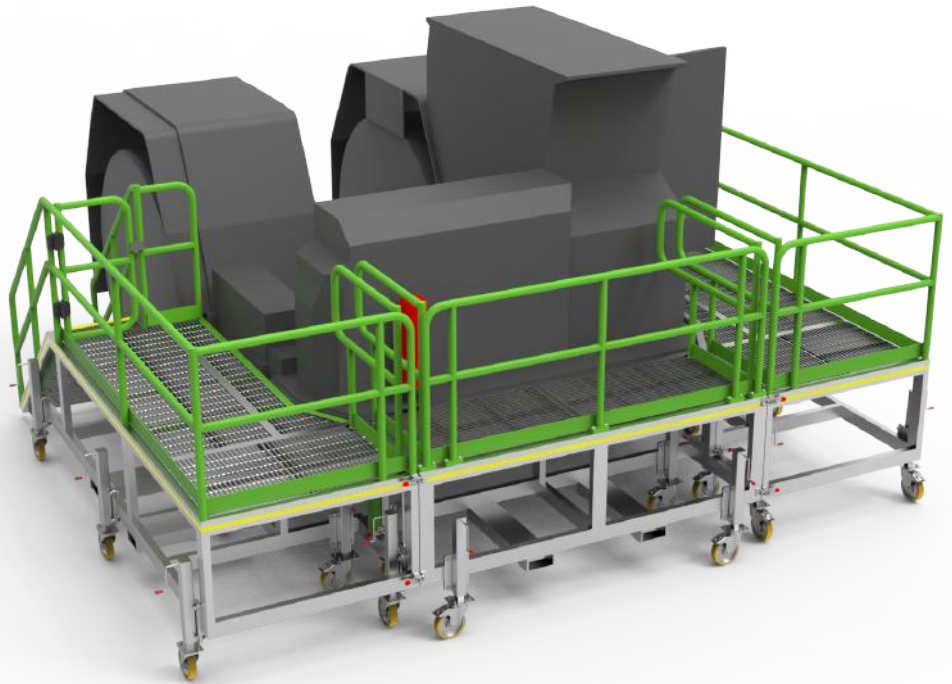
EPIROC MT65 FRONT ACCESS PLATFORM SET

Part No. 5503190

A platform designed and engineered to provide safe and efficient access around the front of the Epiroc MT65 for maintenance and inspection. Includes jacking stands with wheels to allow for height variances. Certified and compliant with Australian Standards.

Features:

- Full TIG welded, heavy-duty aluminium RHS construction
- WLL: 600kg
- Platforms split in three parts and latch together
- Non-slip, serrated grating for deck and stair treads
- Non-slip nosings on all stair treads
- Self-closing gates
- Forklift slots



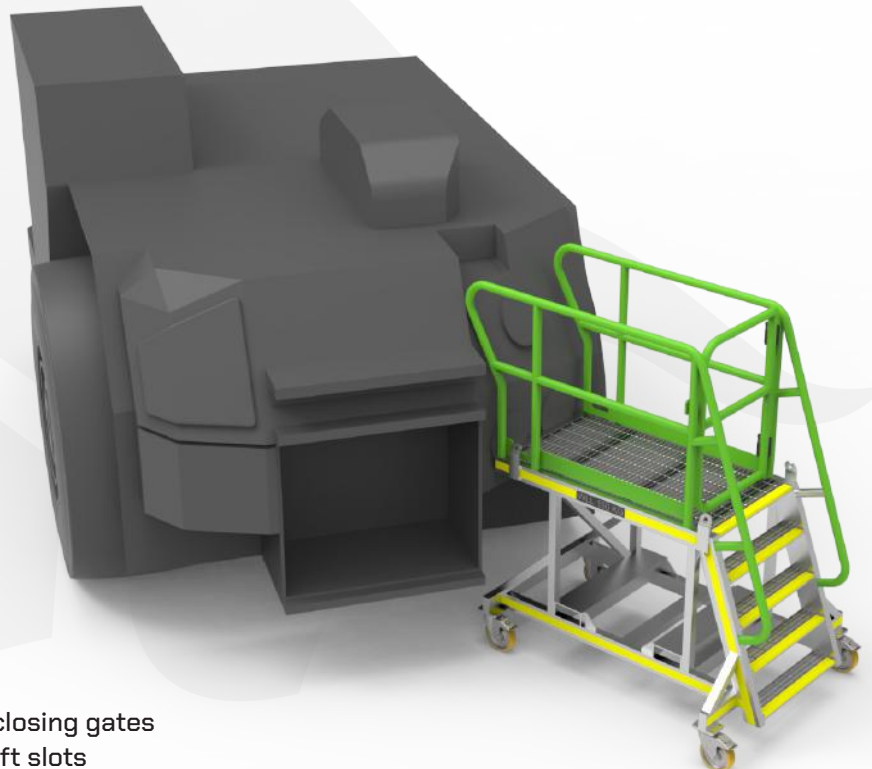
EPIROC MT65 OIL POINT ACCESS PLATFORM

Part No. 5503982

A platform designed and engineered to provide safe and efficient access to the oil changing point of the Epiroc MT65 for maintenance and inspection. Certified and compliant with Australian Standards.

Features:

- Full TIG welded, heavy-duty aluminium RHS construction
- WLL: 150kg
- Non-slip, serrated grating for deck and stair treads
- Non-slip nosings on all stair treads
- Safety handrails with kickplates
- High quality castor wheels
- Heavy-duty levelling jack stands
- Self-closing gates
- Forklift slots

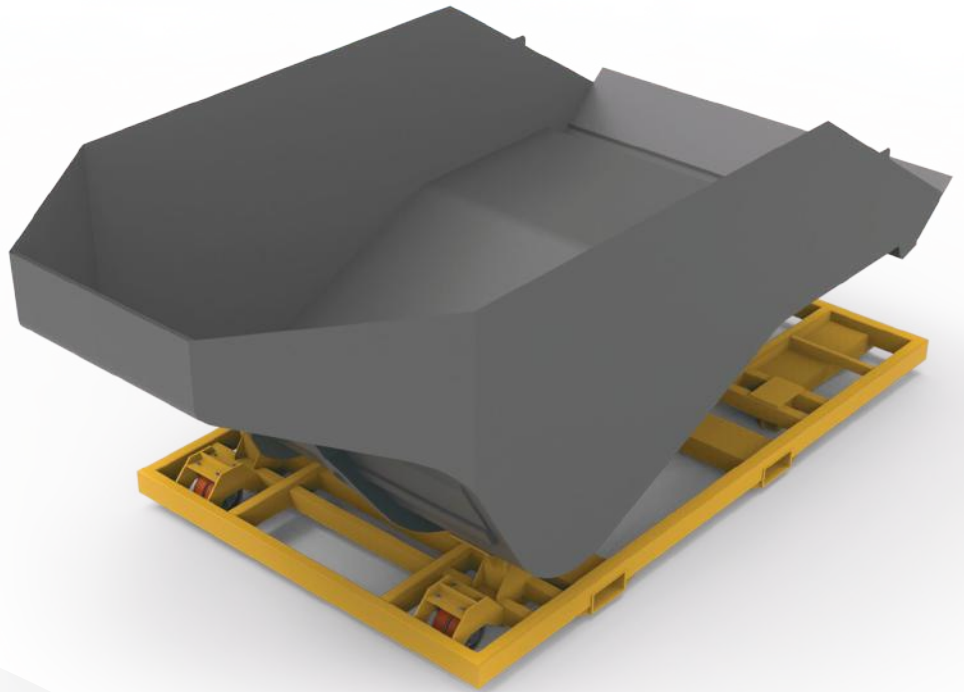


**EPIROC MT65
TRAY TRANSPORT FRAME**

Part No. 5403154

Features:

- Heavy-duty steel construction
- WLL: 14T
- Rubber pads on contact surfaces
- Fitted with heavy-duty roller wheels
- Rated tie-down points
- Forklift slots

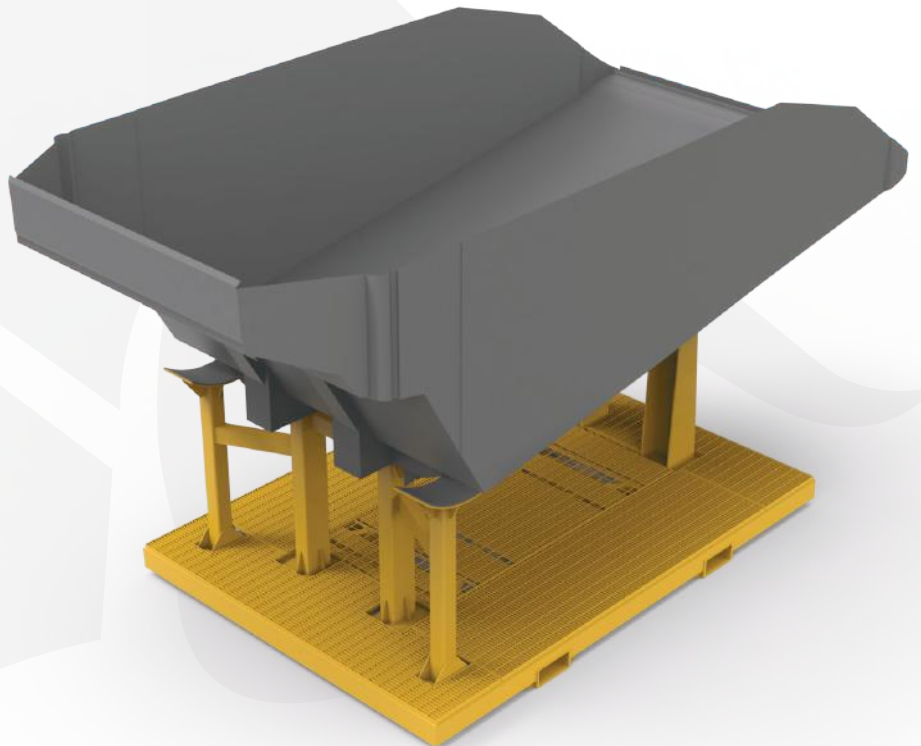


**EPIROC MT65-AD60
TRAY WORKSHOP FRAME**

Part No. 5503154

Features:

- Heavy-duty steel construction
- WLL: 14T
- Rubber pads on contact surfaces
- Fitted with heavy-duty roller wheels
- Rated tie-down points
- Forklift slots



EPIROC MT65 HYDRAULIC RAM CLAMPS

Epiroc MT65 Hydraulic Ram Clamp - 663mm
Part No. 5507739

Epiroc MT65 Hydraulic Ram Clamp Set - 1,834mm
Part No. 5503172

Designed and engineered to provide safe lockout for critical maintenance. This design is suited to workshops unable to lockout the tub to it's full height. Certified and compliant with Australian Standards.

Features:

- Heavy-duty steel construction
- WLL: 16T
- 2 x ram lockout clamps
- Nylon strip on inside to protect cylinder
- Dentent pins to stop support coming off
- Lifting handles & lifting lug



EPIROC MT65 TUB RAM CLAMP SET

Part No. 5503172

Features:

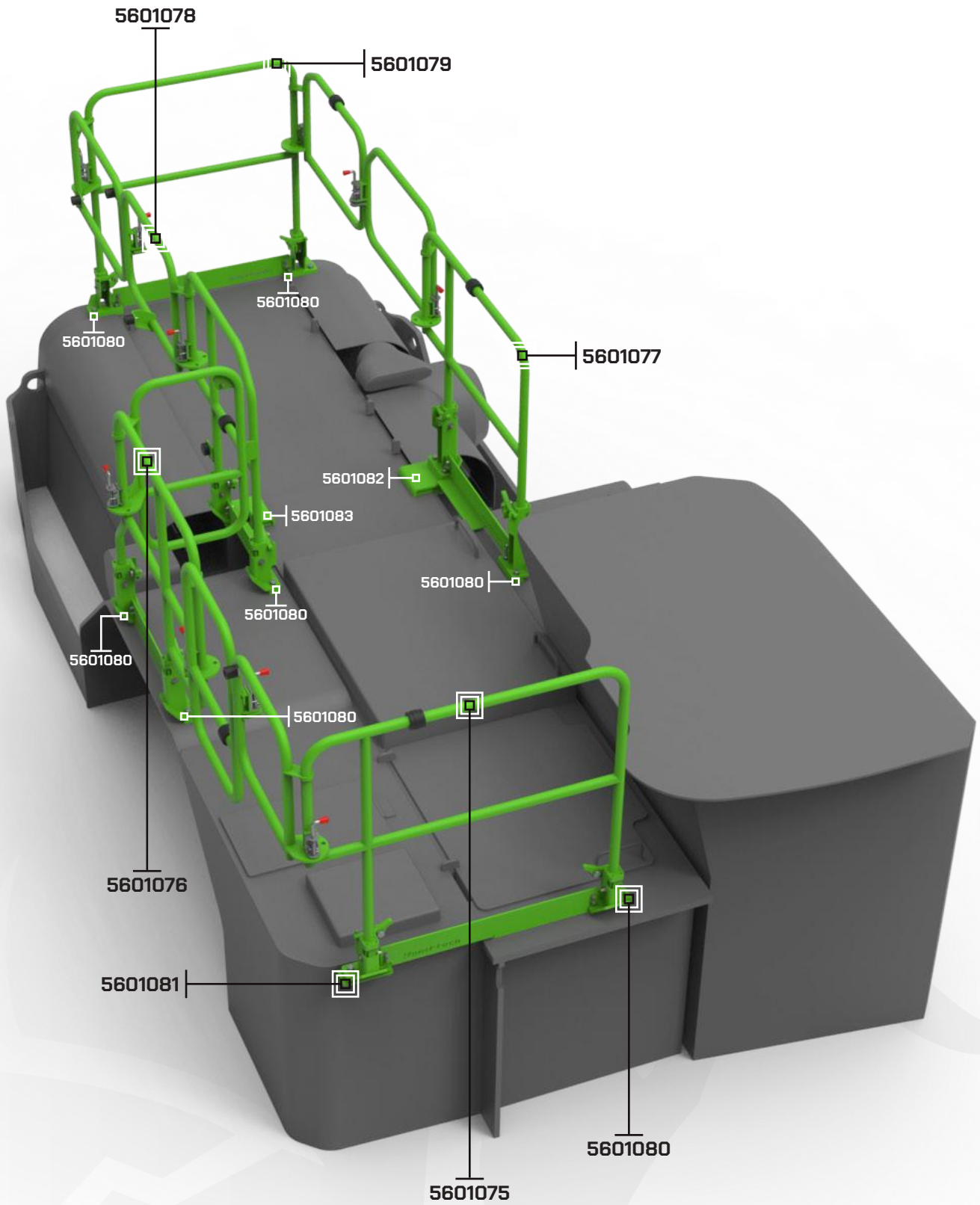
- Heavy-duty steel construction
- WLL: 14T
- Set includes 2 clamps
- Suits both MT65 prior and beyond 2017 year builds

EPIROC
ST1030 LOADER



ELIMINATING DOWNTIME, MAXIMISING EFFICIENCY.







Handrail Front 5601075



Handrail RH Front 5601076



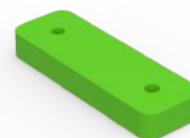
Handrail LH 5601077



Handrail RH 5601078



Handrail Rear 5601079



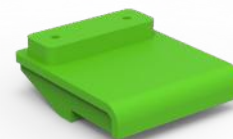
Mount Plate 1 5601080 [7 Required]



Mount Plate 2 5601081 [1 Required]



Mount Plate 3 5601082 [1 Required]



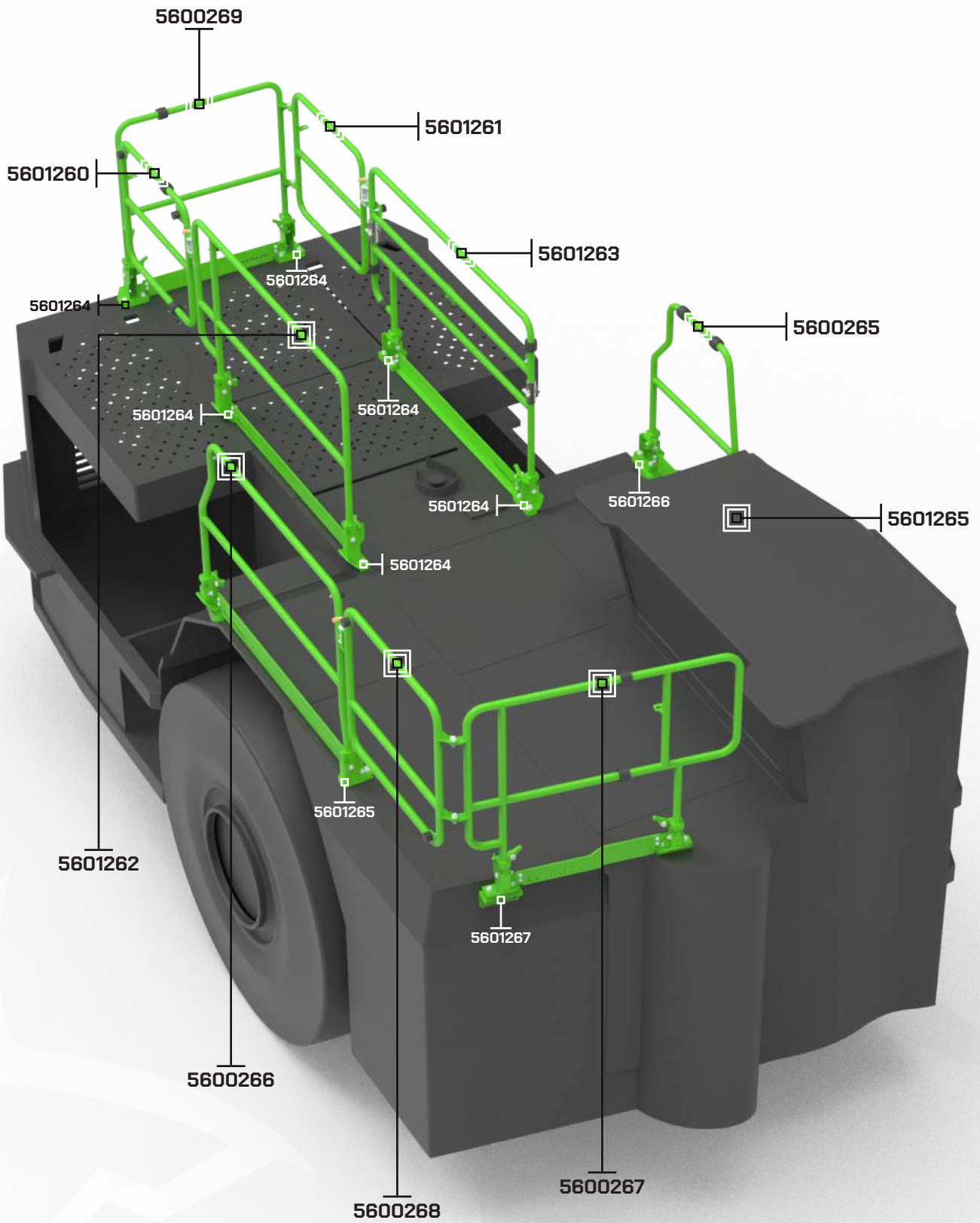
Mount Plate 4 5601083 [1 Required]



**EPIROC
ST14 LOADER**

ELIMINATING DOWNTIME, MAXIMISING EFFICIENCY.







Handrail 5600265



Handrail 5600266



Handrail 5600267



Handrail 5600268



Handrail 5600269



Handrail 5601260



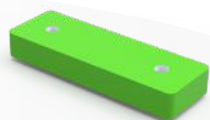
Handrail 5601261



Handrail 5601262

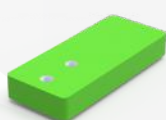


Handrail 5601263



Mount Plate 1 5601264

[6 Required]



Mount Plate 2 5601265

[2 Required]



Mount Plate 3 5601266

[1 Required]



Mount Plate 4 5601267

[1 Required]

EPIROC SIMBA E7 DRILL

ROX

EPIROC
SIMBA E7 DRILL



EPIROC SIMBA E70 / E7C DRILL FRONT & REAR JACKSTAND CLAMP

Part No. 5509451

Our jackstand clamps are designed and engineered for safe maintenance on the Epiroc E7C and E70. Providing a safe and supported load during maintenance. Certified and compliant with Australian Standards.

Features:

- Heavy-duty steel construction
- WLL: 15,000 Kg
- Tare: 10kg per clamp
- Easy to install and lock into place
- Load rated handles for hoist install

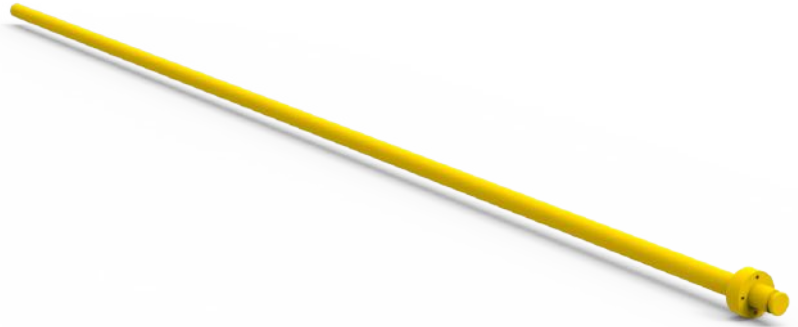
**EPIROC DIAMEC SMART 6M
SPIN GUARD HINGE PIN**

Part No. 5601819

Hinge pin to suit Epiroc Diamec 6m Spin Guard.

Features:

- Direct replacement for Epiroc OEM part number 3719016782.



**EPIROC DIAMEC SMART 6M
SPIN GUARD SWING DOOR**

Part No. 5601820

Swing Door to suit Epiroc Diamec 6m Spin Guard.

Features:

- Direct replacement for Epiroc OEM part number 3719017034.



**EPIROC DIAMEC SMART 6M
SPIN GUARD SMALL GATE**

Part No. 5601821

Gate to suit Epiroc Diamec 6m Spin Guard.

Features:

- Direct replacement for Epiroc OEM part number 3719017037.



**EPIROC DIAMEC SMART 6M
SPIN GUARD LARGE GATE**

Part No. 5601822

Gate to suit Epiroc Diamec 6m Spin Guard.

Features:

- Direct replacement for Epiroc OEM part number 3719017075.

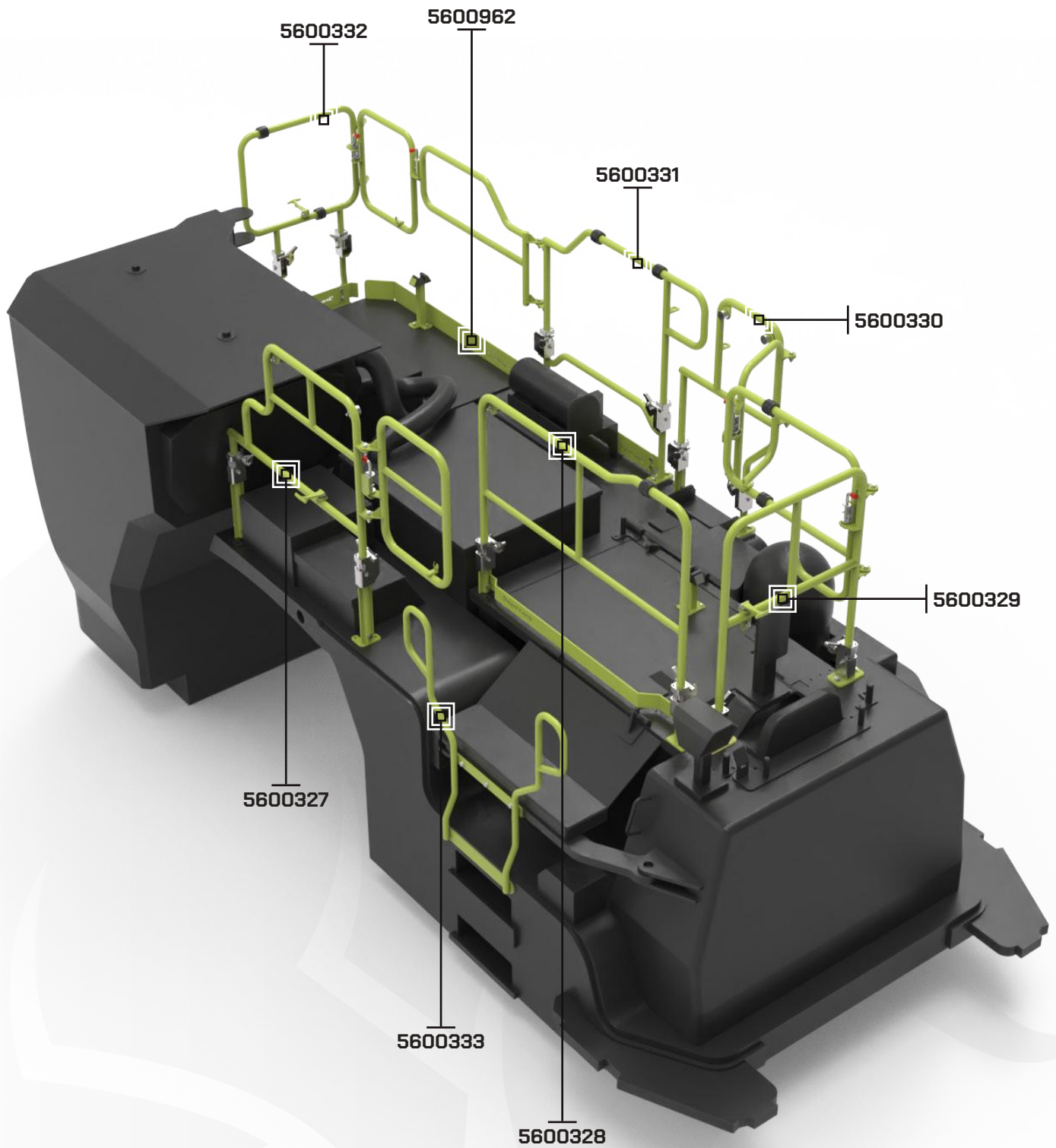


**SANDVIK
LH307 LOADER**



ELIMINATING DOWNTIME, MAXIMISING EFFICIENCY.







Handrail 5600327



Ladder Handhold 5600333



Handrail 5600328



Handrail 5600329



Handrail 5600330



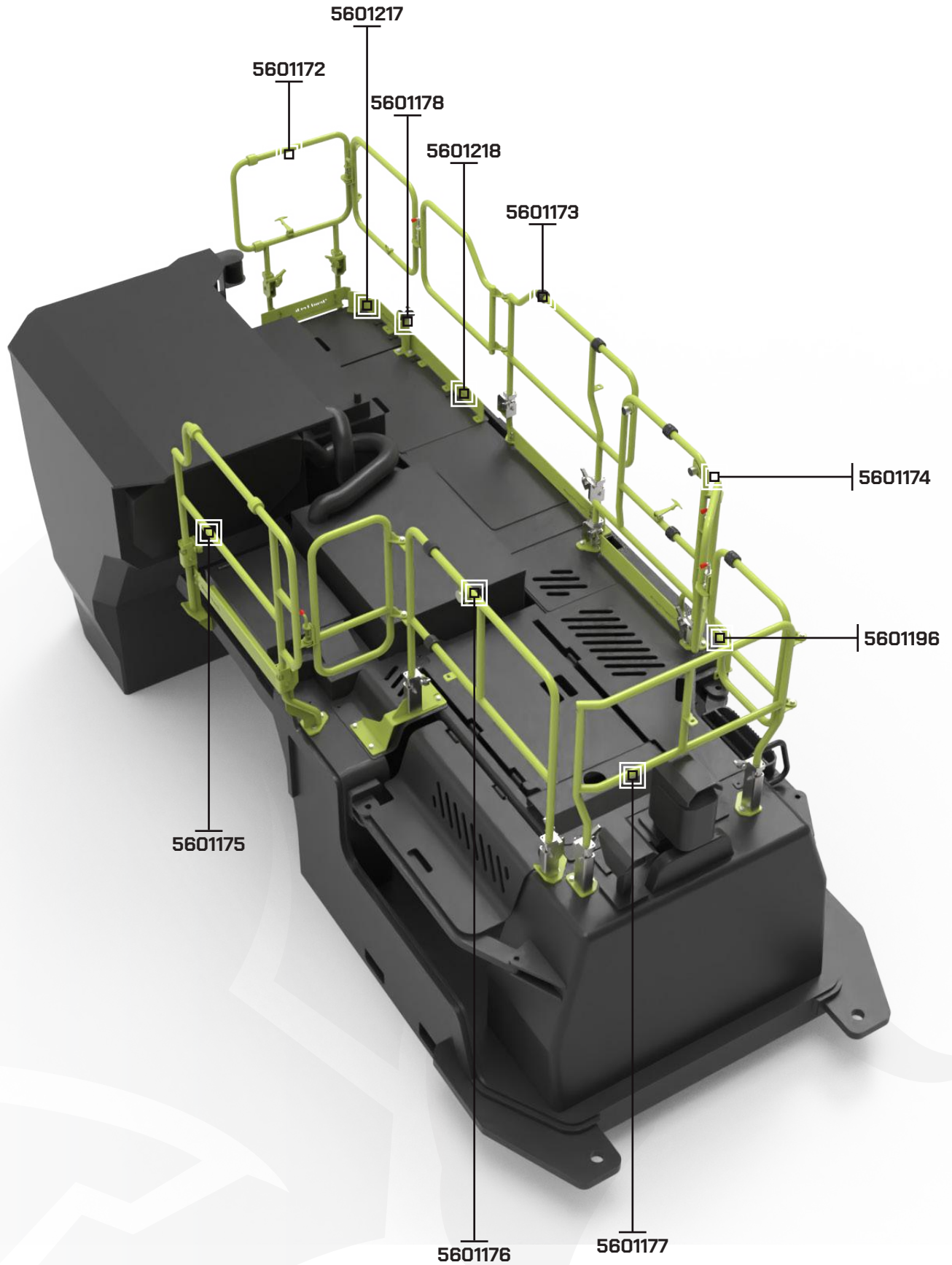
Handrail 5600331



Handrail 5600332



Kick Plate 5600962





Handrail 5601172



Handrail 5601173



Handrail 5601175



Handrail 5601174



Handrail 5601176



Handrail 5601177



Handrail Holder 5601178



Handhold 5601196



Kick Plate 5601217



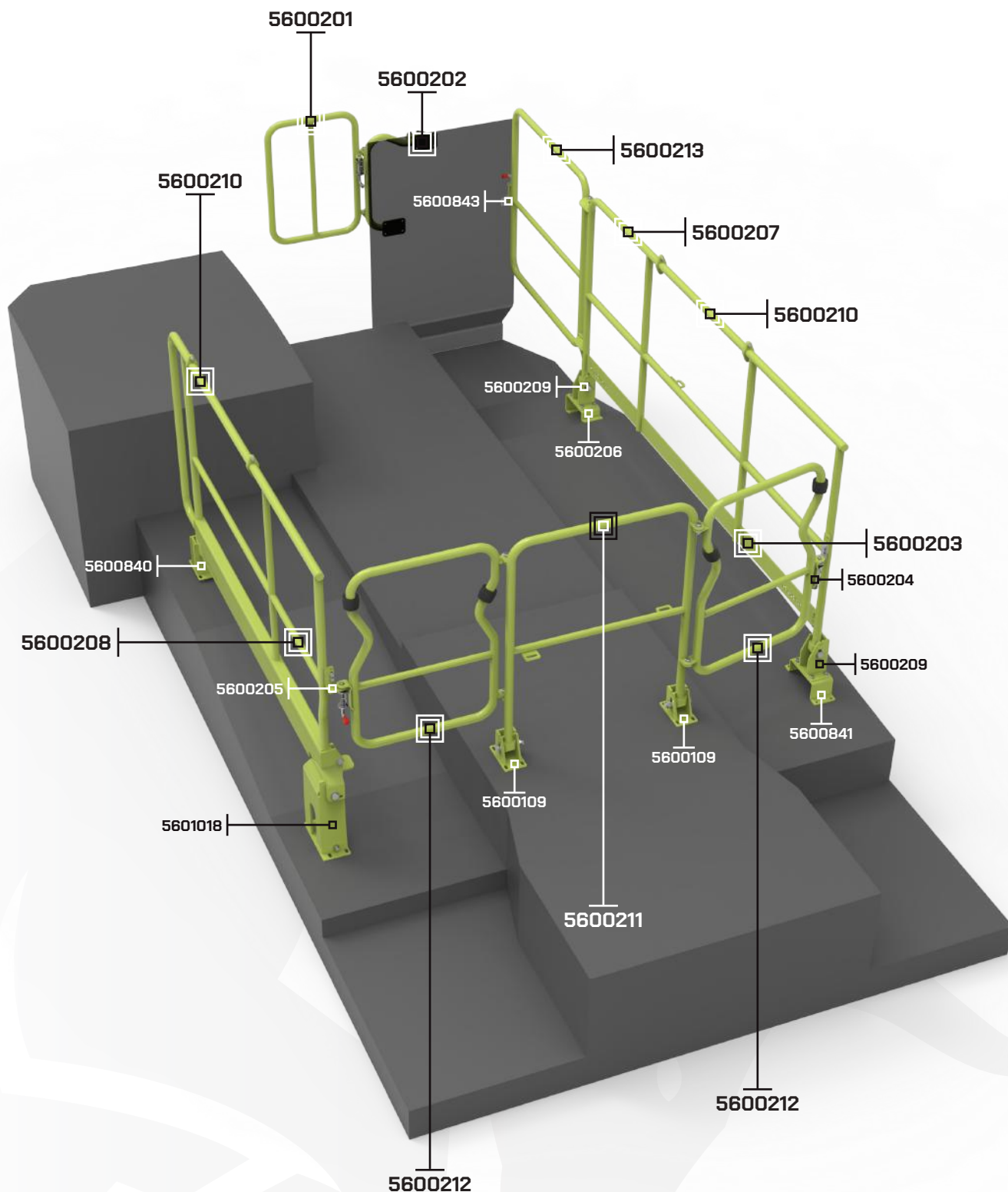
Kick Plate 5601218

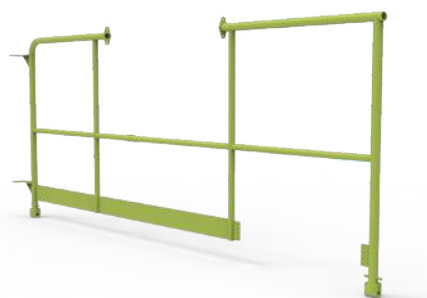
SANDVIK LH514 LOADER



ELIMINATING DOWNTIME, MAXIMISING EFFICIENCY.







Handrail 5600207

OEM No. 56027403



Handrail 5600210 *[2 Required]*

OEM No. 56036363



Handrail 5600202

OEM No. BG00612434



Handrail 5600201

OEM No. BG00612435



Handrail 5600211

OEM No. 56027408



Handrail 5600208

OEM No. 56203318



Handrail 5600212 *[2 Required]*

OEM No. 56027414



Handrail 5600213

OEM No. 56027443



Kickplate 5600203

OEM No. BG00520886



Supporting Bracket

5600209 *[2 Required]*

OEM No. 56027394



Bracket 5600206

OEM No. 56030702



Connector 5600205

OEM No. 56210789



Supporting Block

5600109 *[2 Required]*

OEM No. 56027411



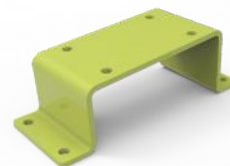
Actuator Housing 5601018

OEM No. 56203462



Supporting Bracket 5600840

OEM No. 56208595



Supporting Bracket 5600841

OEM No. BG00525468



Supporting Bracket 5600843



Supporting Bracket 5600204

OEM No. 56210816



Loader Bucket Bumper 5600860

OEM No. 56043968



SANDVIK LH514 CAB DOOR

Part No. 5600398

Suits Sandvik LH514, LH517 and LH621.
OEM No. BG00389056

Features:

- Direct OEM replacement
- Heavy-duty construction
- Precision manufactured for fast fit up to your machine

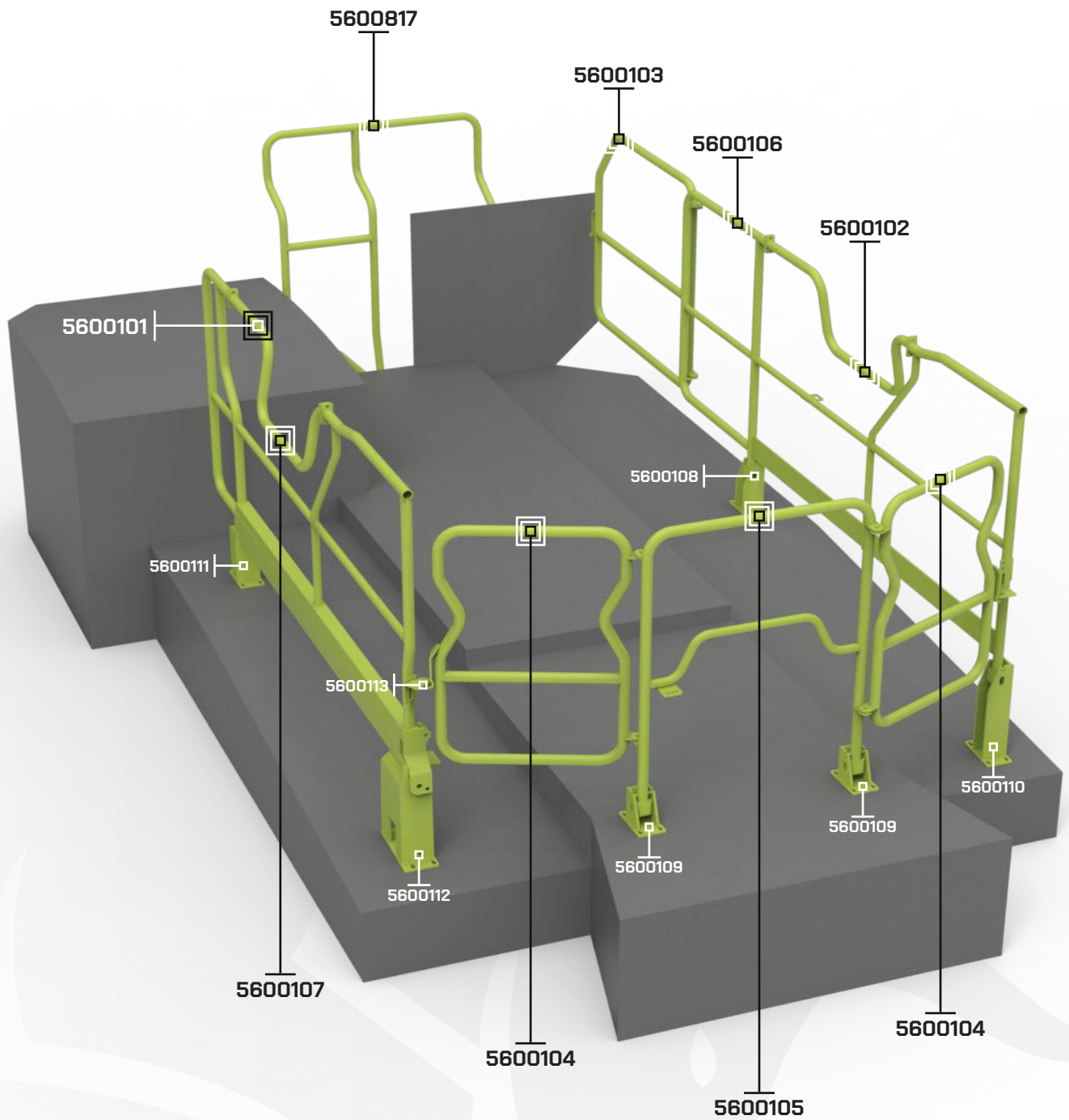


LH517

**SANDVIK
LH517 LOADER**

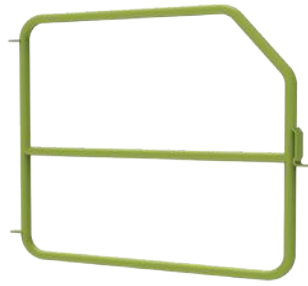
ELIMINATING DOWNTIME, MAXIMISING EFFICIENCY.







Handrail 5600817
OEM No. 56029394



Handrail 5600103
OEM No. 56039616



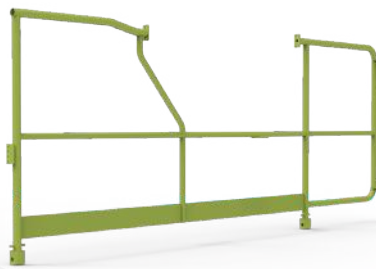
Handrail 5600101
OEM No. 56039607



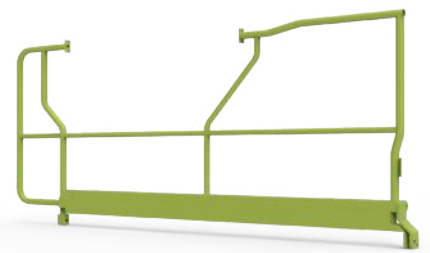
Handrail 5600102
OEM No. 56039606



Handrail 5600105
OEM No. 56039619



Handrail 5600106
OEM No. 56029393



Handrail 5600107
OEM No. 56212200A



Handrail 5600104 *[2 Req.]*
OEM No. 56039582



Supporting Block 5600111
OEM No. 56212216



Supporting Block 5600112
OEM No. 56212346



Supporting Block 5600108
OEM No. 56039673



Supporting Block 5600110
OEM No. 56039676



Supporting Block 5600109 *[2 Required]*
OEM No. 56027411



Kit Component 5600113
OEM No. 56029744



SANDVIK LH517 CAB DOOR

Part No. 5600398

Suits Sandvik LH514, LH517 and LH621.
OEM No. BG00389056

Features:

- Direct OEM replacement
- Heavy-duty construction
- Precision manufactured for fast fit up to your machine

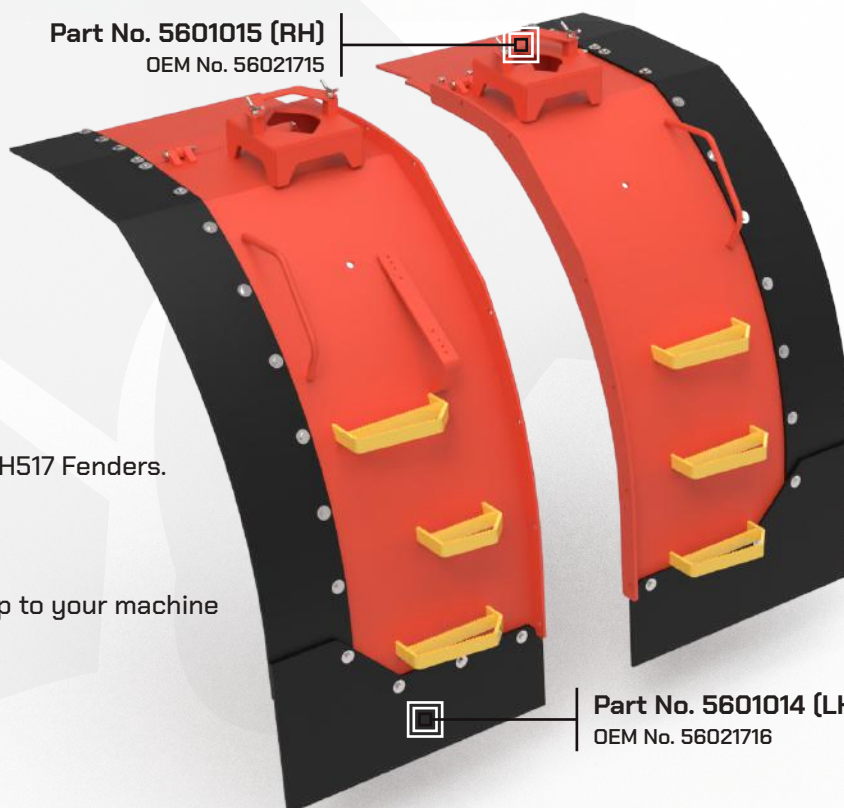
SANDVIK LH517 FIXED FRONT FENDERS

Part No. 5601015 (RH) / 5601014 (LH)

Direct OEM replacement for Sandvik LH517 Fenders.

Features:

- Heavy duty construction
- Precision manufactured for fast fit up to your machine



Part No. 5601015 (RH)
OEM No. 56021715

Part No. 5601014 (LH)
OEM No. 56021716

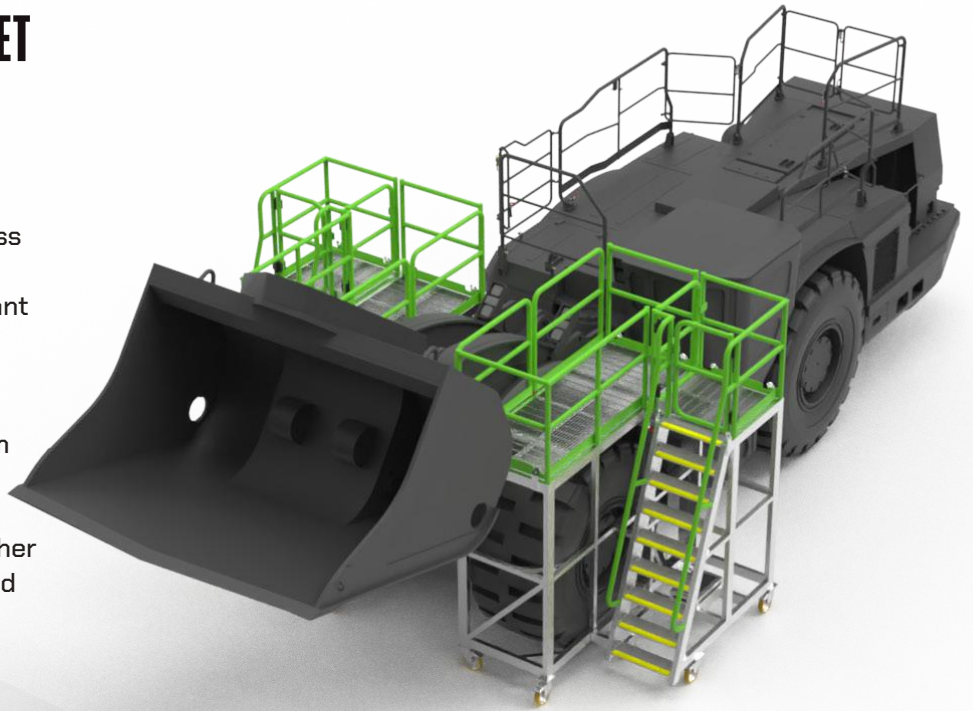
**SANDVIK LH517 /i & LH621/i
LIFT ARM ACCESS PLATFORM SET**

Part No. 5504086

A certified platform designed and engineered for safe and efficient access to the lifting cylinder of the Sandvik LH517 and LH621. Certified and compliant with Australian Standards.

Features:

- Full TIG welded, heavy-duty aluminium RHS construction
- WLL: 250kg per platform
- 4-piece design, platforms latch together
- Non-slip, serrated grating for deck and stair treads
- Non-slip nosings on all stair treads
- High quality castor wheels
- Heavy-duty levelling jack stands
- Self-closing gates
- Removable handrails
- Lifting lugs



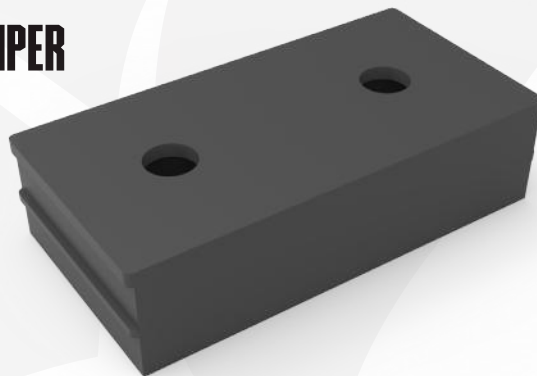
LOADER BUCKET BUMPER

Part No. 5600860

OEM No. 56043968

Features:

- Direct OEM replacement
- Polyurethane





SANDVIK LH517 / LH517i TILT CYLINDER GUARD

Part No. 5601271

Suits Sandvik LH517 and LH517i.
OEM No. 56023147

Features:

- Direct OEM replacement
- Heavy-duty steel construction
- Finished in Sandvik Red
- Stocked for immediate despatch

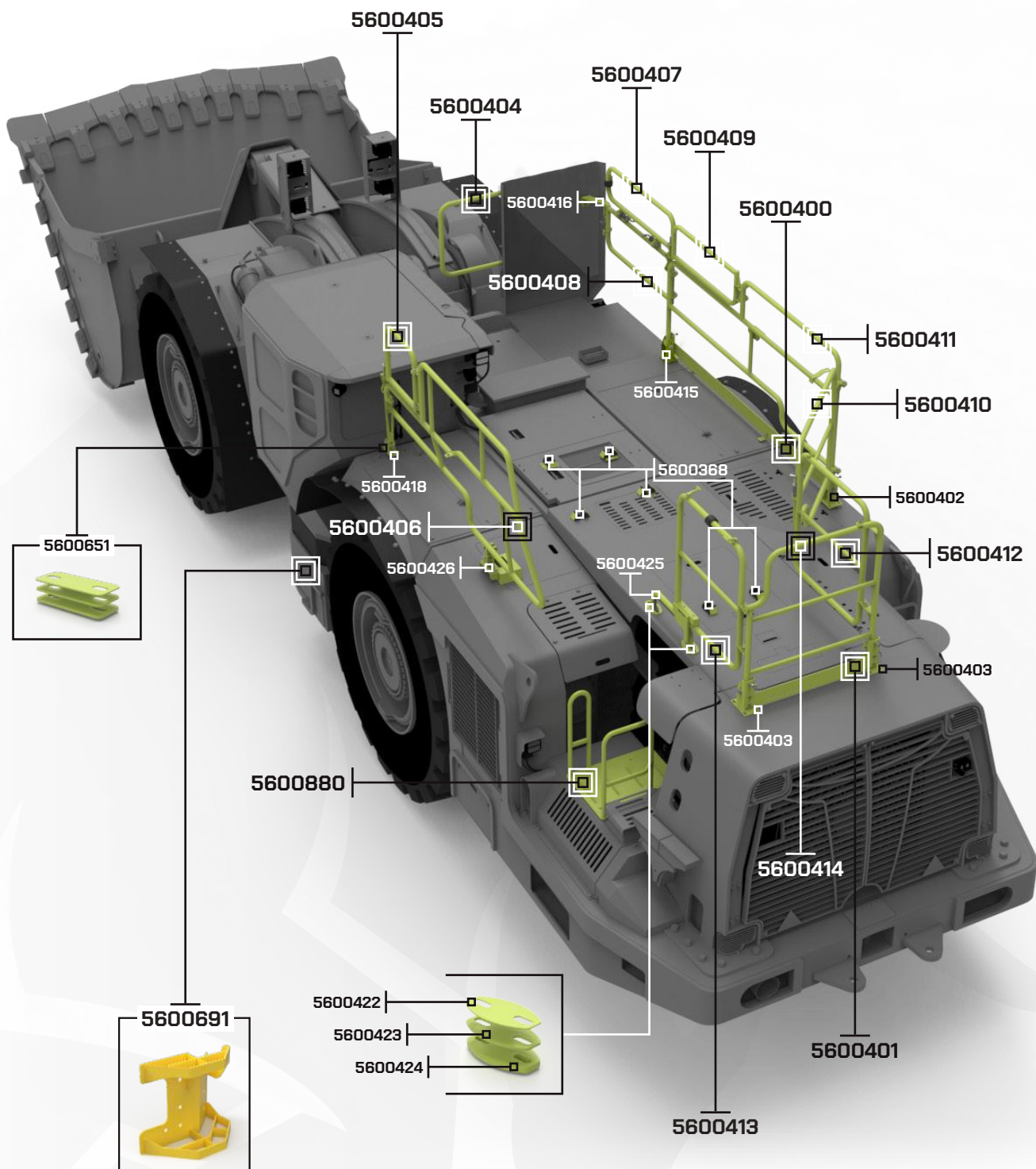
**ELIMINATING DOWNTIME,
MAXIMISING EFFICIENCY.**

**SANDVIK
LH517i LOADER**



ELIMINATING DOWNTIME, MAXIMISING EFFICIENCY.







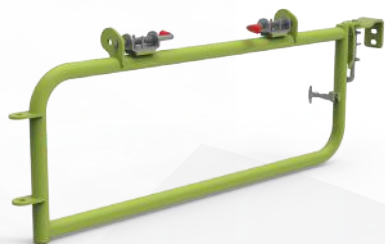
Handrail 5600405
OEM No. BG01038296



Handrail 5600406
OEM No. BG01039194



Handrail 5600407
OEM No. BG01036195



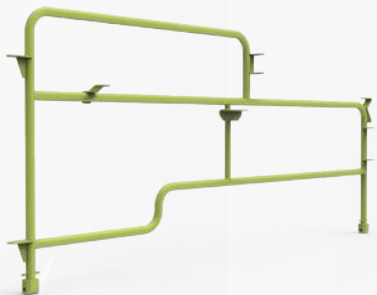
Handrail 5600408
OEM No. BG01036194



Handrail 5600409
OEM No. BG01036192



Handrail 5600410
OEM No. BG00968272



Handrail 5600411
OEM No. BG01033203



Handrail 5600404
OEM No. BG00968274



Handrail 5600413
OEM No. BG00968269



Handrail 5600414
OEM No. BG00968268



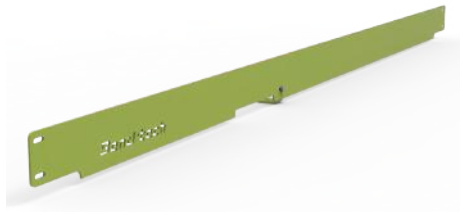
Handrail 5600412
OEM No. BG00968270



Handrail 5600425
OEM No. BG00969097



Cab Step 5600691
OEM No. BG00844987



Kickplate 5600400

OEM No. BG00968275



Kickplate 5600401

OEM No. BG00861354



Actuator Housing 5600426

OEM No. BG00861412



Bracket & Rubber 5600368

[6 Req.] OEM No.:
BG00220538A, BG00210180A



Exhaust Rail 5600880

OEM No. BG00842904



Mount Plates 5600651

OEM No.: BG00860827,
BG00861425, BG00861356



2mm Shim 5600422 [2 Req.]

OEM No. BG00968821



3mm Shim 5600423 [2 Req.]

OEM No. BG00968822



4mm Shim 5600424 [2 Req.]

OEM No. BG00968823



Bracket 5600416

OEM No. BG00832740



Support Bracket 5600402

OEM No. BG00861407



Support Bracket 5600415

OEM No. BG00861409



Bracket Hinge 5600418

OEM No. BG00550647



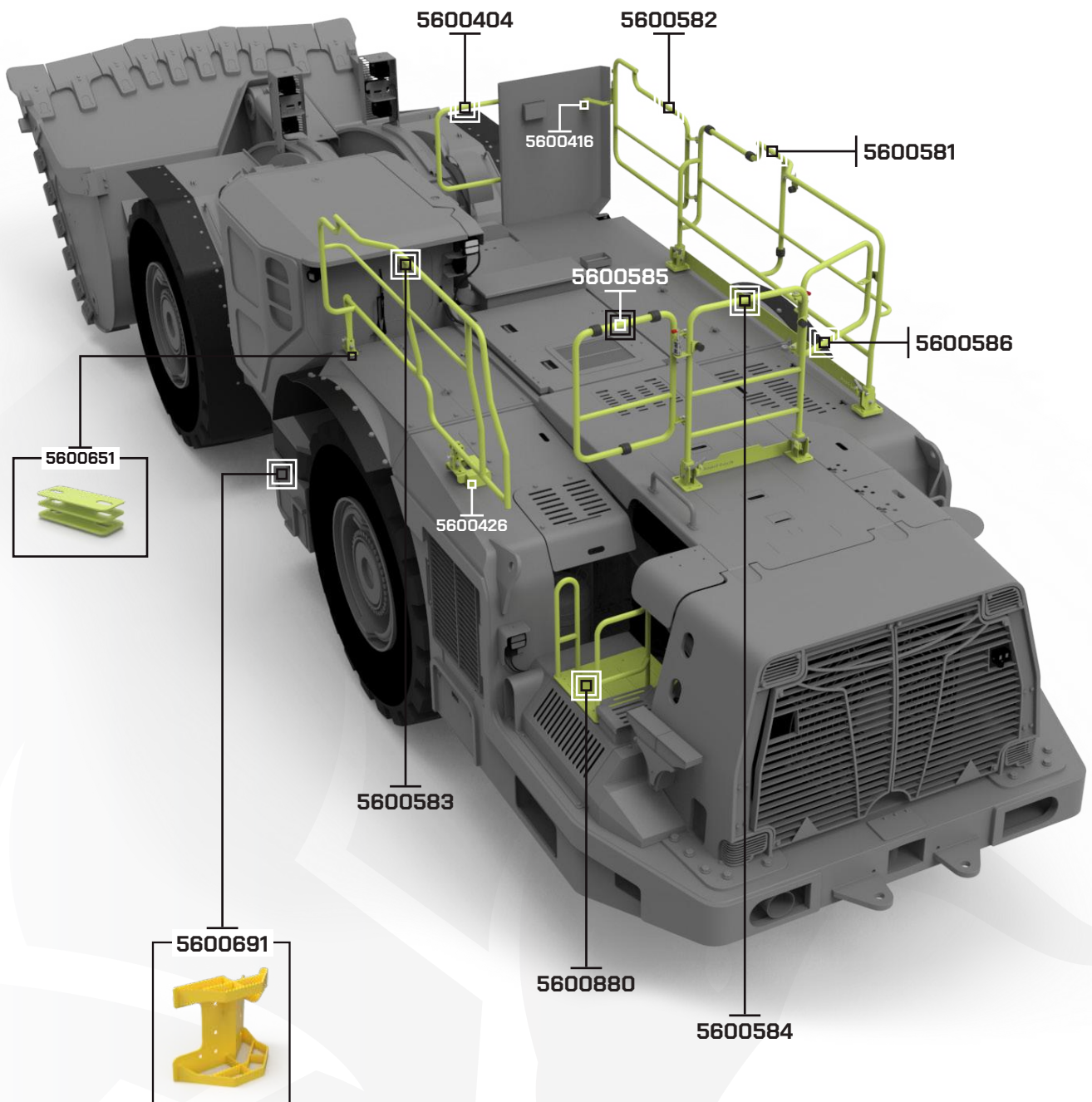
Support Bracket 5600403

OEM No. BG00861406



**Loader Bucket Bumper
5600860**

OEM No. 56043968





Right Side Handrail 5600581

OEM No. BG01240318



Right Side Gate 5600582

OEM No. BG01240319



Left Handrail 5600583

OEM No. BG01240313



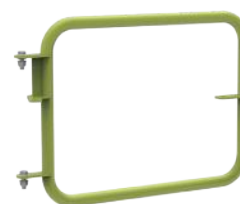
Rear Handrail 5600584

OEM No. BG01240329



Rear Gate 1 5600585

OEM No. BG01240333



Rear Gate 2 5600586

OEM No. BG01240331



Front Handrail 5600404

OEM No. BG00968274



Actuator Housing 5600426

OEM No. BG00861412



Rail Stopper 5600416

OEM No. BG00832740



Mount Plates 5600651

OEM No.: BG00860827, BG00861425, BG00861356



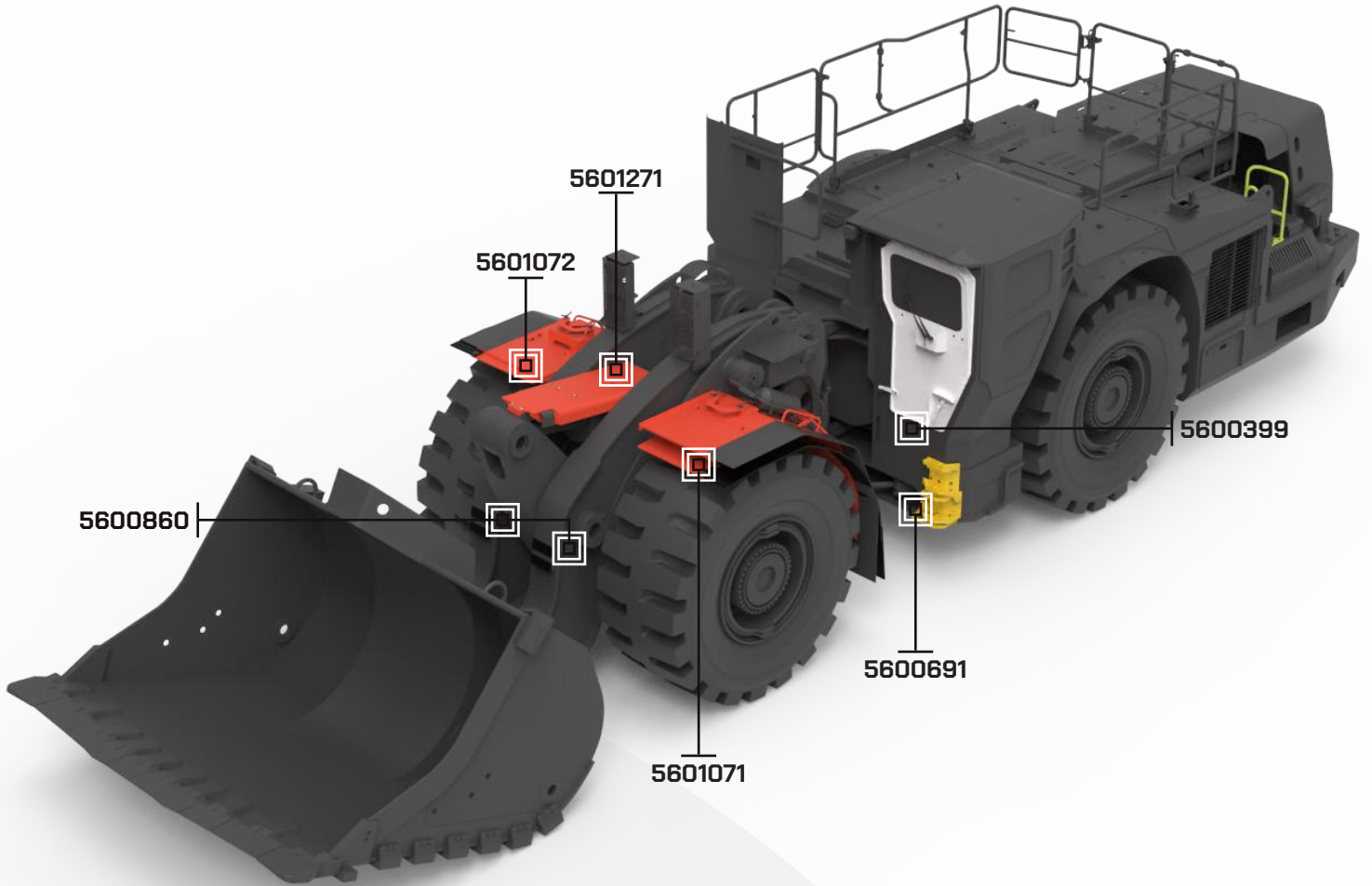
Exhaust Rail 5600880

OEM No. BG00842904



Cab Step 5600691

OEM No. BG00844987





SANDVIK LH517i CAB DOOR

Part No. 5600399

Suits Sandvik LH517i and LH621i.
OEM No. BG00807642

Features:

- Direct OEM replacement
- Heavy-duty construction
- Precision manufactured for fast fit up to your machine

SANDVIK LH517i FIXED FRONT FENDERS

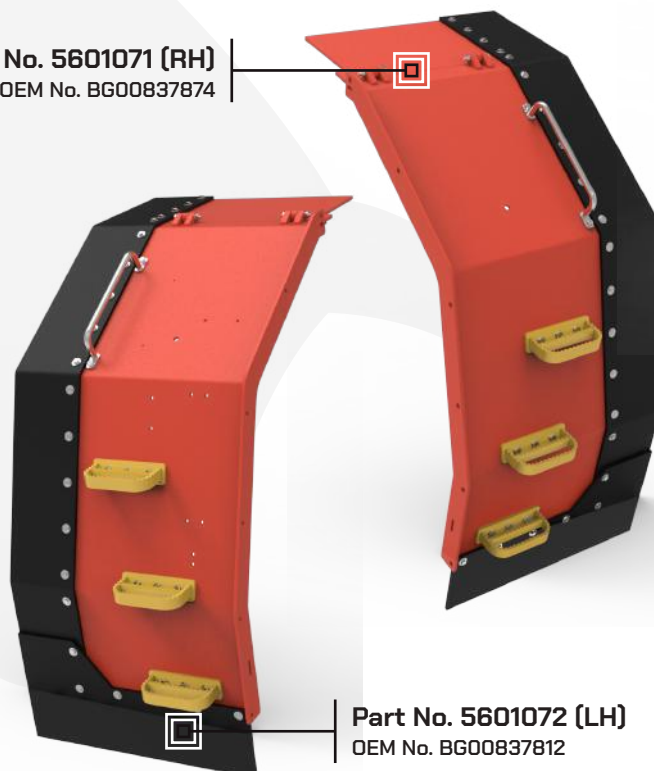
Part No. 5601071 (RH) / 5601072 (LH)

Direct OEM replacement for Sandvik LH517i Fenders.

Features:

- Heavy duty construction
- Precision manufactured for fast fit up to your machine

Part No. 5601071 (RH)
OEM No. BG00837874



Part No. 5601072 (LH)
OEM No. BG00837812

SANDVIK LH517i RADIATOR GRILLE RH

Part No. 5607068

OEM No. BG01010323

Features:

- Heavy-duty steel construction
- Hi-spec surface treatment finish in machine colour over a primary zinc coating for enhanced protection
- Stocked and ready for immediate despatch
- Certified and compliant with Australian Standards



SANDVIK LH517i RADIATOR GRILLE LH

Part No. 5607067

OEM No. BG01010319

Features:

- Heavy-duty steel construction
- Hi-spec surface treatment finish in machine colour over a primary zinc coating for enhanced protection
- Stocked and ready for immediate despatch
- Certified and compliant with Australian Standards

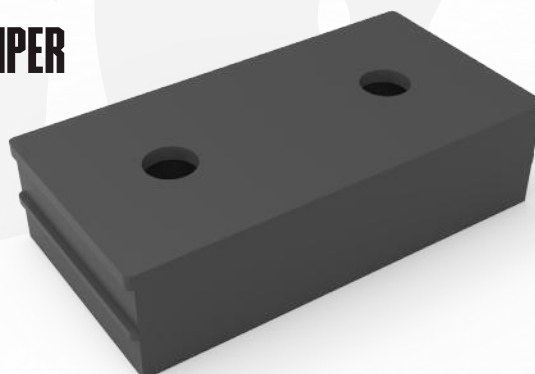
LOADER BUCKET BUMPER

Part No. 5600860

OEM No. 56043968

Features:

- Direct OEM replacement
- Polyurethane



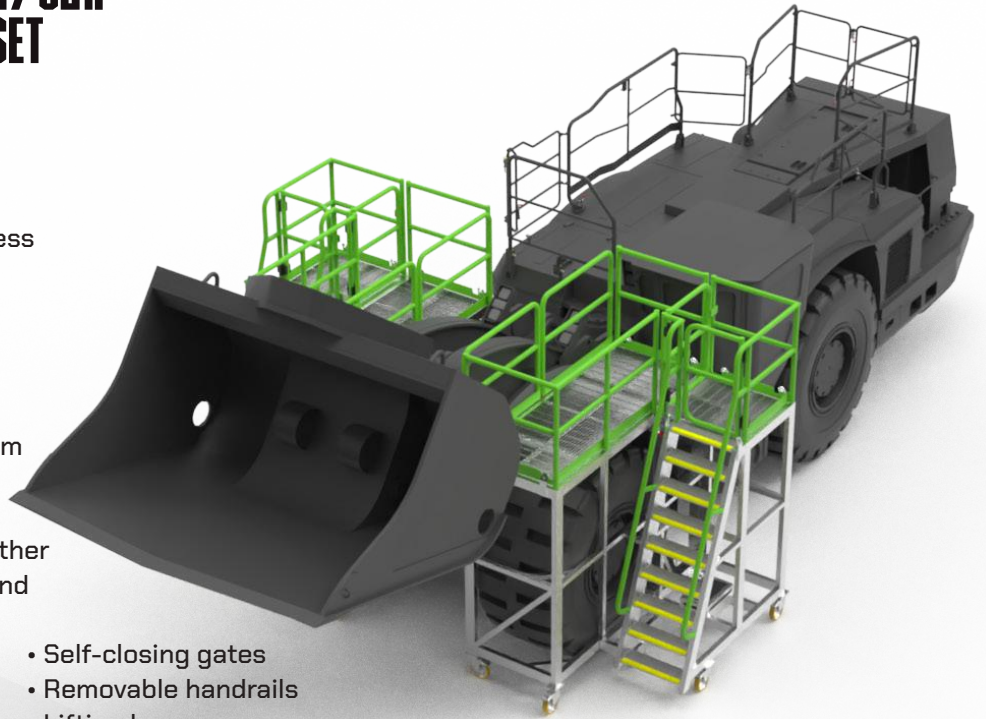
SANDVIK LH517 / 517i & LH621 / 621i LIFT ARM ACCESS PLATFORM SET

Part No. 5504086

A certified platform designed and engineered for safe and efficient access to the lifting cylinder of the Sandvik LH517/i and LH621/i. Certified and compliant with Australian Standards.

Features:

- Full TIG welded, heavy-duty aluminium RHS construction
- WLL: 250kg per platform
- 4-piece design, platforms latch together
- Non-slip, serrated grating for deck and stair treads
- Non-slip nosings on all stair treads
- High quality castor wheels
- Heavy-duty levelling jack stands
- Self-closing gates
- Removable handrails
- Lifting lugs



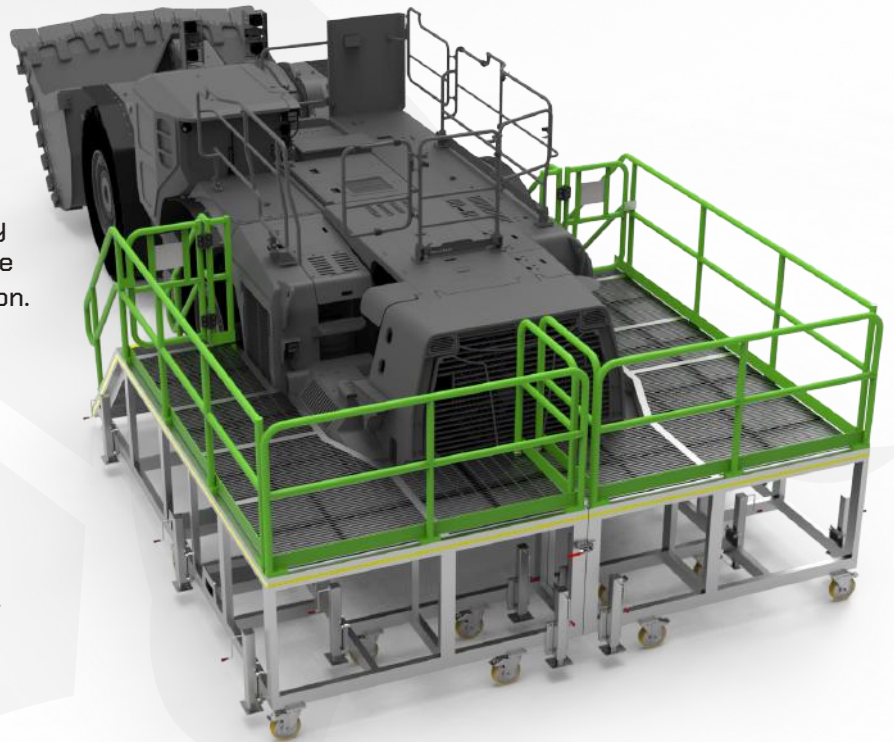
SANDVIK LH517i REAR ACCESS PLATFORM SET

Part No. 5606502

A platform designed and engineered to safely and efficiently access rear components of the Sandvik LH517i for maintenance and inspection. Certified and compliant with Australian Standards.

Features:

- Full TIG welded, heavy-duty aluminium RHS construction
- WLL: 250kg per platform
- 2-piece design, platforms latch together
- Non-slip, serrated grating for deck and stair treads
- Non-slip nosings on all stair treads
- High quality castor wheels
- Heavy-duty levelling jack stands
- Self-closing gates
- Bolt-on safety handrails with kickplates
- Forklift slots



SANDVIK LH517i HANDRAIL STORAGE RACK – 2018 & BEYOND

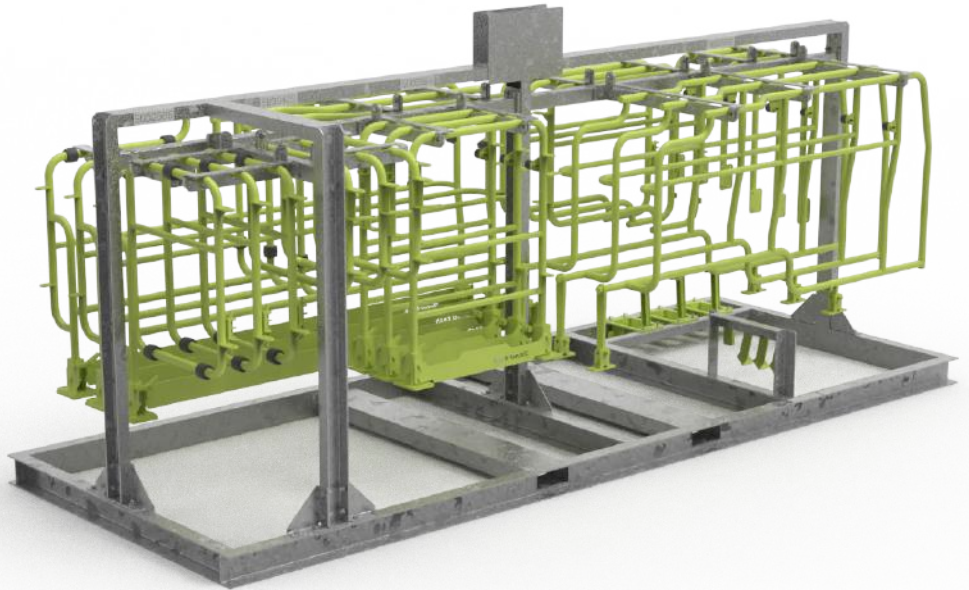
Part No. 5600789

A heavy-duty steel storage frame for Sandvik LH517i Handrails (2018 & Beyond). Certified and compliant with Australian Standards.

This handrail storage rack allows sites to access replacement handrails quickly and easily, without waiting for freight.

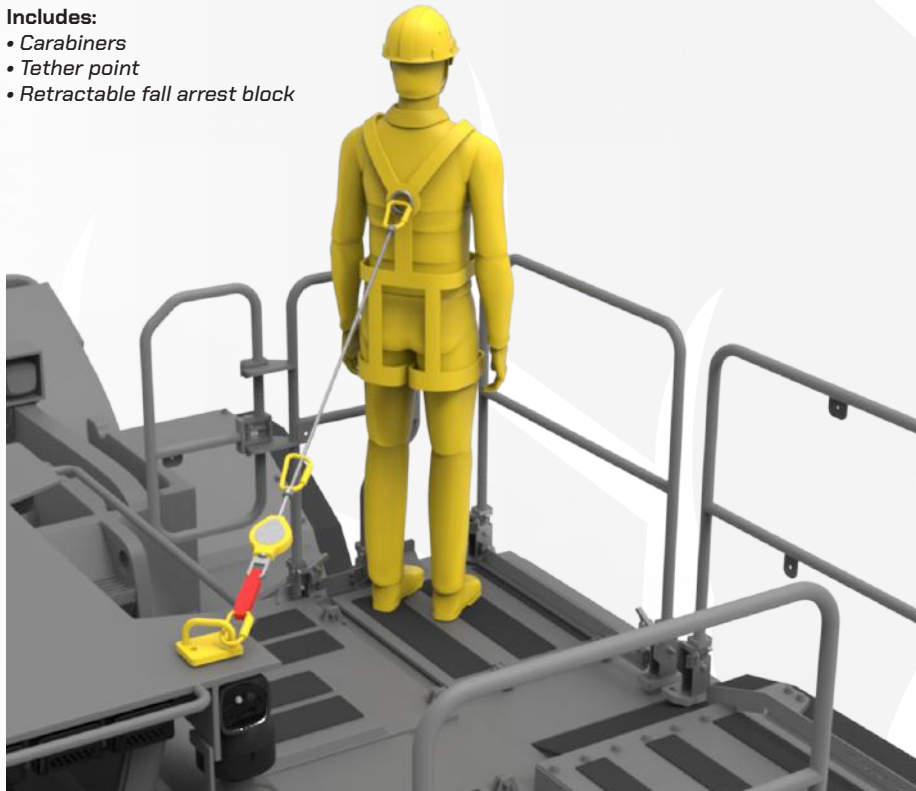
Features:

- Heavy-duty steel construction
- Heavy-duty hot dip galvanised finish
- All required signage incorporated
- Rack capacity: 3 complete sets
- Forklift slots
- Handrails not included



Includes:

- Carabiners
- Tether point
- Retractable fall arrest block



SANDVIK LH517i FALL ARRESTOR TETHER KIT

Part No. 5504910

A solution to provide operators/fitters with a tethering kit which they could lock onto, while erecting the handrails on the machine.

Features:

- Tether kit is pre-rated to arrest the fall of an operator.
- Tether mechanism locks when sudden movement is detected (e.g. losing balance), preventing tripping and/or falling from machine.
- Uses existing bolts/fittings on the roof and engineered and certified brackets for retractable fall arrest tethers to attach to.
- Suits R1300 R1600 1700K/G



SANDVIK LH517 / LH517i TILT CYLINDER GUARD

Part No. 5601271

Suits Sandvik LH517 and LH517i.
OEM No. 56023147

Features:

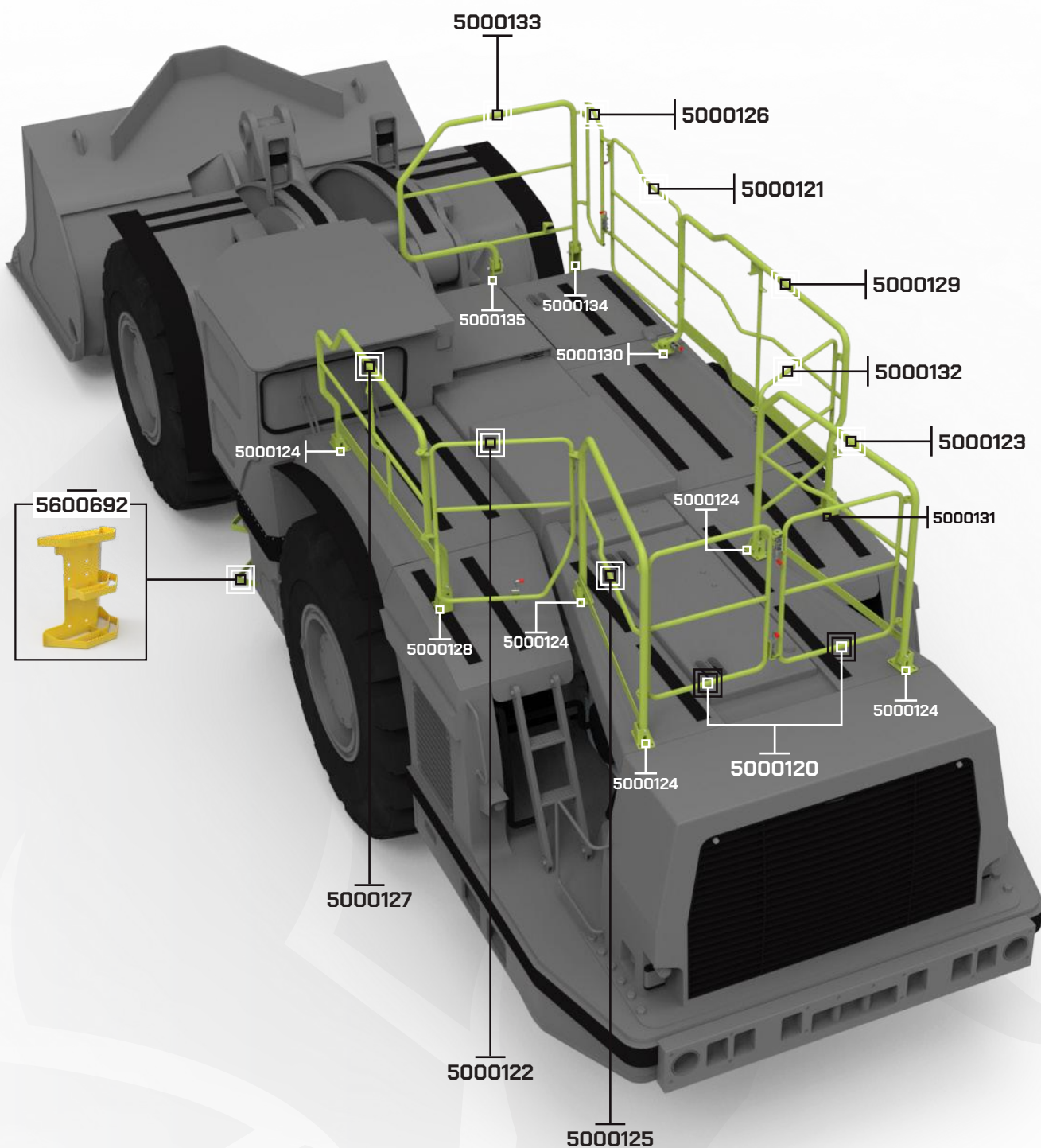
- Direct OEM replacement
- Heavy-duty steel construction
- Finished in Sandvik Red
- Stocked for immediate despatch

**ELIMINATING DOWNTIME,
MAXIMISING EFFICIENCY.**

**SANDVIK
LH621 LOADER**

ELIMINATING DOWNTIME, MAXIMISING EFFICIENCY.

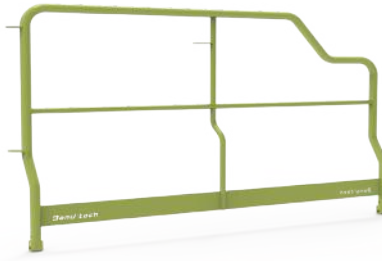






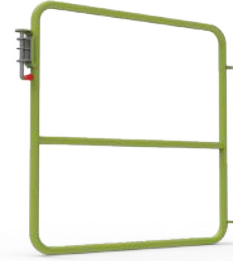
Handrail 5000120 *[2 Required]*

OEM No. 56018767



Handrail 5000127

OEM No. 56018760



Handrail 5000132

OEM No. 56018766



Handrail 5000123

OEM No. 56018762



Handrail 5000125

OEM No. 56018761



Handrail 5000129

OEM No. 56018763



Handrail 5000121

OEM No. 56018768



Handrail 5000133

OEM No. 56018764



Handrail 5000122

OEM No. 56018765



Cab Step 5600692

OEM No. BG00963981



Handrail 5000126

OEM No. 56019161



Support Bracket

5000135

OEM No. 56018774



Support Bracket

5000134

OEM No. 56018773



Support Bracket

5000131

OEM No. 56018771



Support Bracket

5000128

OEM No. 56018770



Support Bracket

5000130

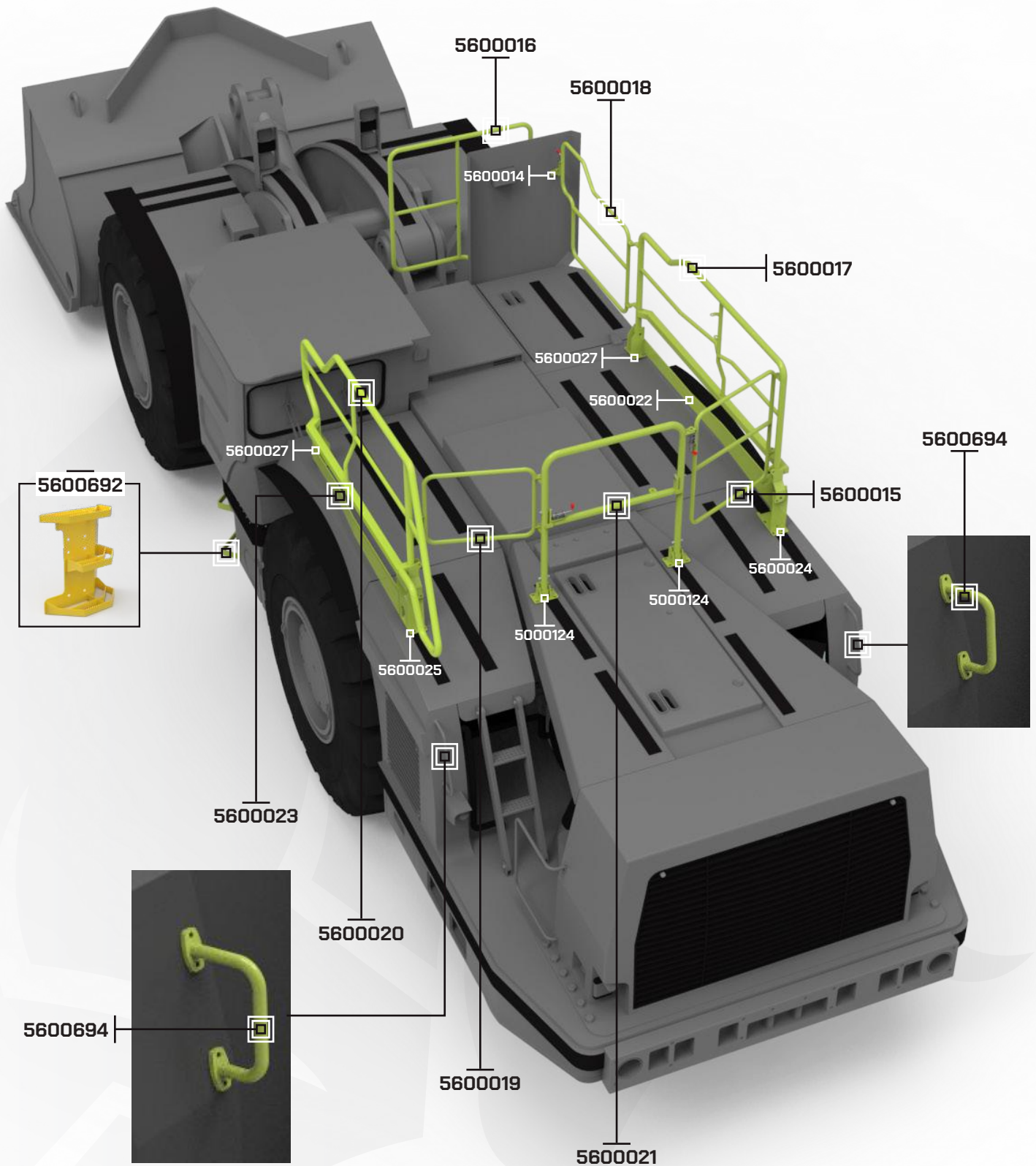
OEM No. 56018772



Support Bracket

5000124 *[5 Required]*

OEM No. 56039676





Handrail 5600015

OEM No. BG00311924



Handrail 5600016

OEM No. BG00311588



Handrail 5600017

OEM No. BG00311830



Handrail 5600018

OEM No. BG00311904



Handrail 5600019

OEM No. BG00313074



Handrail 5600020

OEM No. BG00313079



Handrail 5600021

OEM No. BG00353239



Kickplate 5600022

OEM No. BG00313347



Kickplate 5600023

OEM No. BG00319454



Support Bracket 5600014

OEM No. 56039625



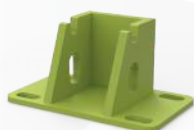
Support Bracket 5600025

OEM No. 56212346



Support Bracket 5600024

OEM No. BG00312309



Support Bracket 5000124

OEM No. 56018769 [2 Req.]



Support Bracket 5600027

OEM No. 56212345 [2 Req.]



Cab Step 5600692

OEM No. BG00963981



Grabrail 5600694

OEM No. 56036365

SANDVIK LH621 - MANUAL HANDRAIL STORAGE RACKS

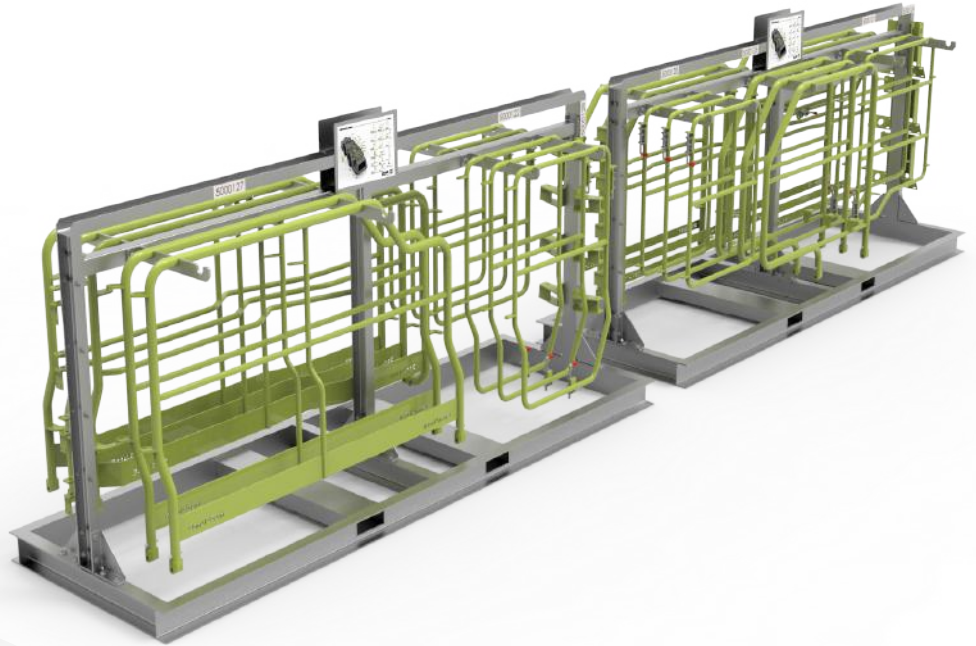
Part No. 5503052

A designed and engineered storage solution to hold a full set of Sandvik LH621 handrails. Certified and compliant with Australian Standards.

This handrail storage rack allows sites to access replacement handrails quickly and easily, without waiting for freight.

Features:

- Heavy-duty steel construction
- Heavy-duty hot dip galvanised finish
- All required signage incorporated
- Rack capacity: 3 complete sets
- Forklift slots
- Handrails not included



SANDVIK LH621 - MANUAL HANDRAIL STORAGE RACKS

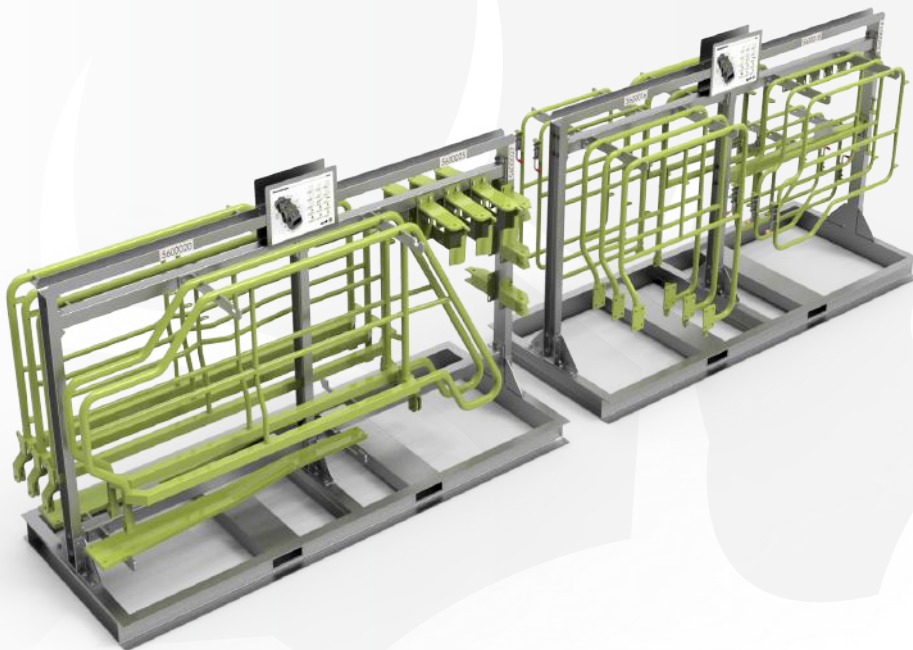
Part No. 5503036

A designed and engineered storage solution to hold a full set of Sandvik LH621 hydraulic handrails. Certified and compliant with Australian Standards.

This handrail storage rack allows sites to access replacement handrails quickly and easily, without waiting for freight.

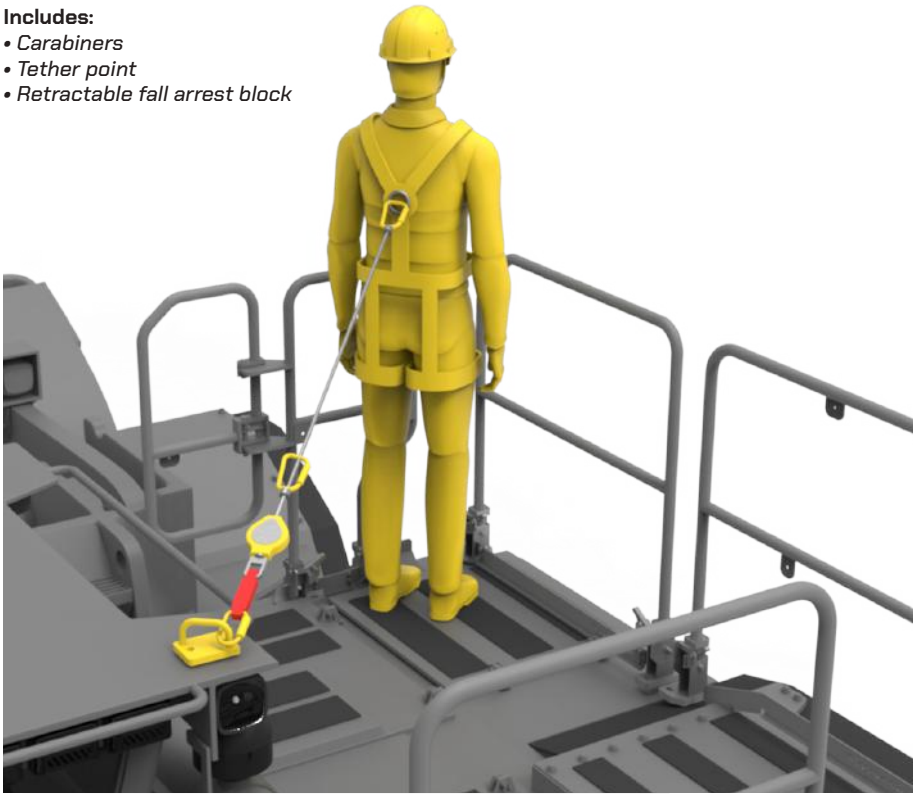
Features:

- Heavy-duty steel construction
- Heavy-duty hot dip galvanised finish
- All required signage incorporated
- Rack capacity: 3 complete sets
- Forklift slots
- Handrails not included



Includes:

- Carabiners
- Tether point
- Retractable fall arrest block



**SANDVIK LH621
FALL ARRESTOR TETHER KIT**

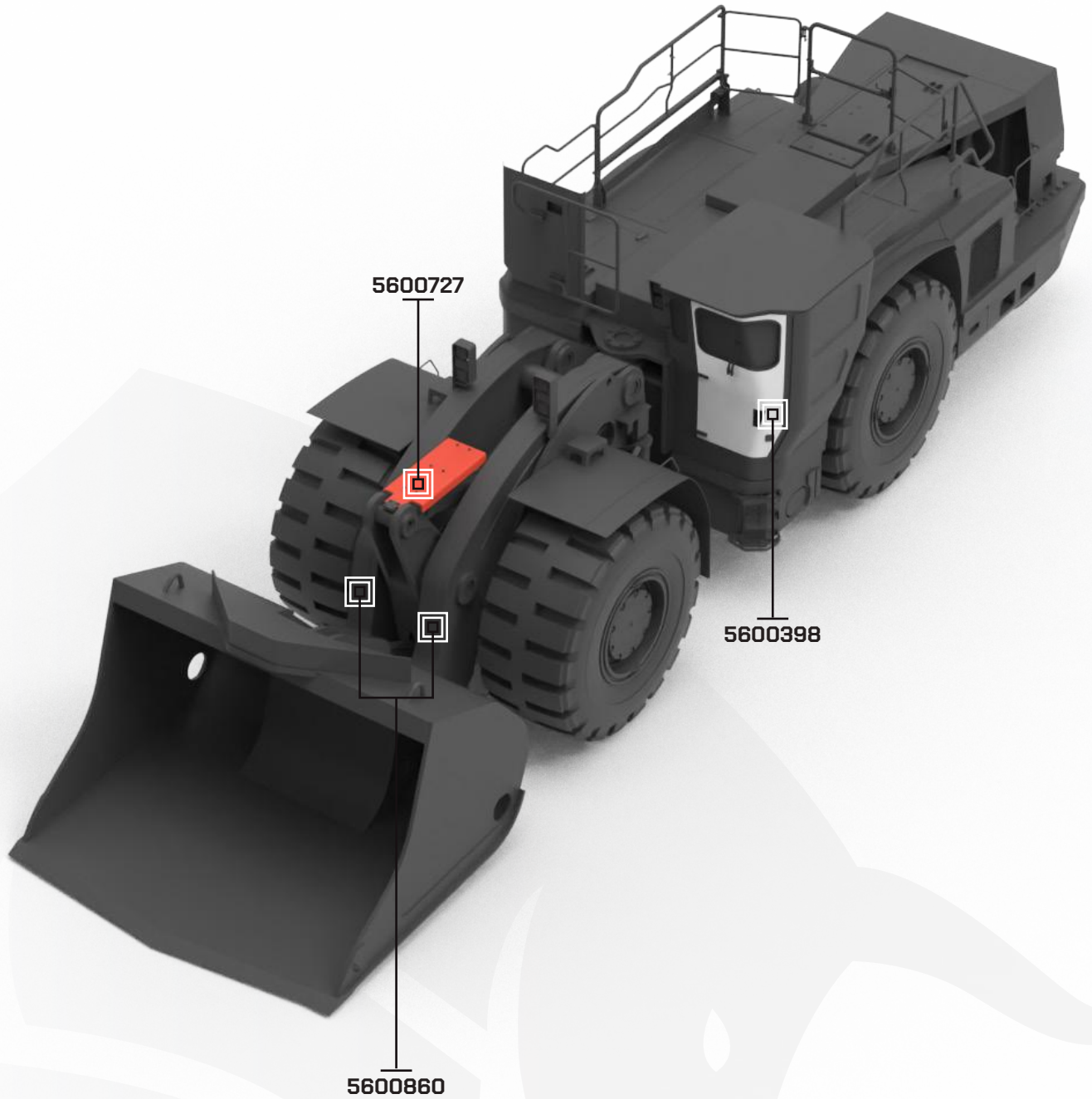
Part No. 5504910

A solution to provide operators/fitters with a tethering kit which they could lock onto, while erecting the handrails on the machine.

Features:

- Tether kit is pre-rated to arrest the fall of an operator.
- Tether mechanism locks if the operator begins to lose balance preventing a fall.
- Uses existing bolts/fittings on the roof and cab mounts and engineered and certified brackets for the retractable fall arrest tethers to attach to.

**ELIMINATING DOWNTIME,
MAXIMISING EFFICIENCY.**





SANDVIK LH621 CAB DOOR

Part No. 5600398

Suits Sandvik LH514, LH517 and LH621
OEM No. BG00389056

Features:

- Direct OEM replacement
- Heavy-duty construction
- Precision manufactured for fast fit up to your machine



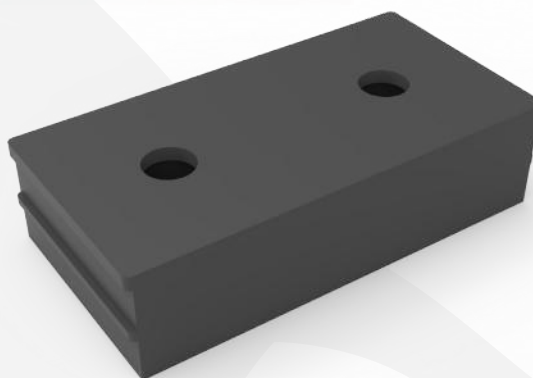
SANDVIK LH621 / LH621i TILT CYLINDER GUARD

Part No. 5600727

OEM No. BG00601294

Features:

- Direct OEM replacement
- Suits Sandvik LH621 and LH621i



LOADER BUCKET BUMPER

Part No. 5600860

OEM No. 56043968

Features:

- Direct OEM replacement
- Polyurethane

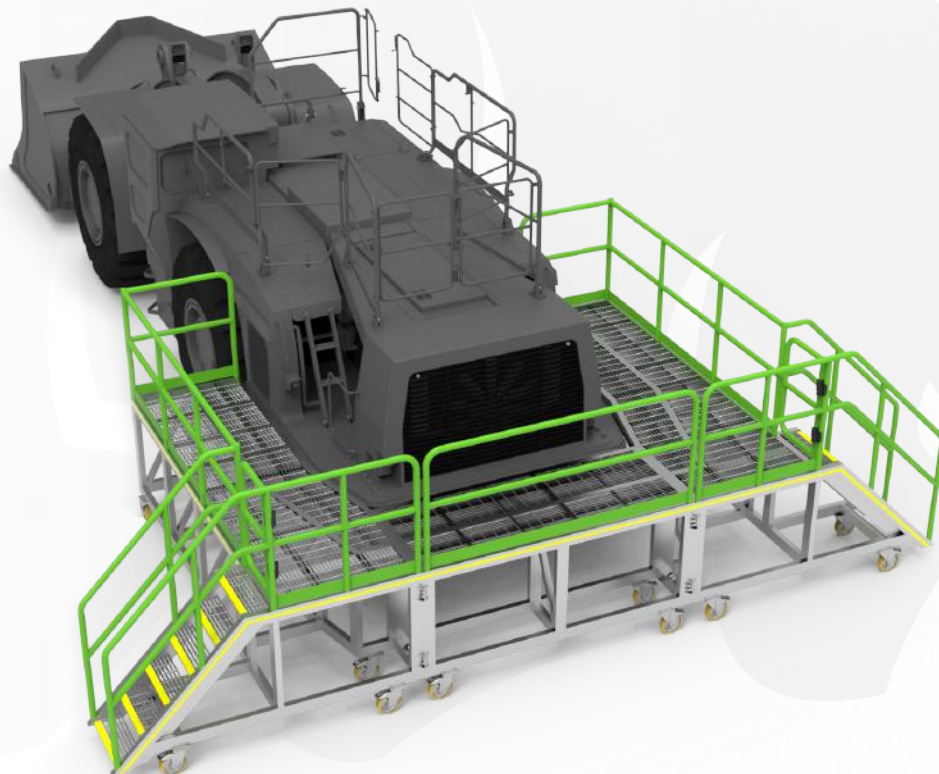
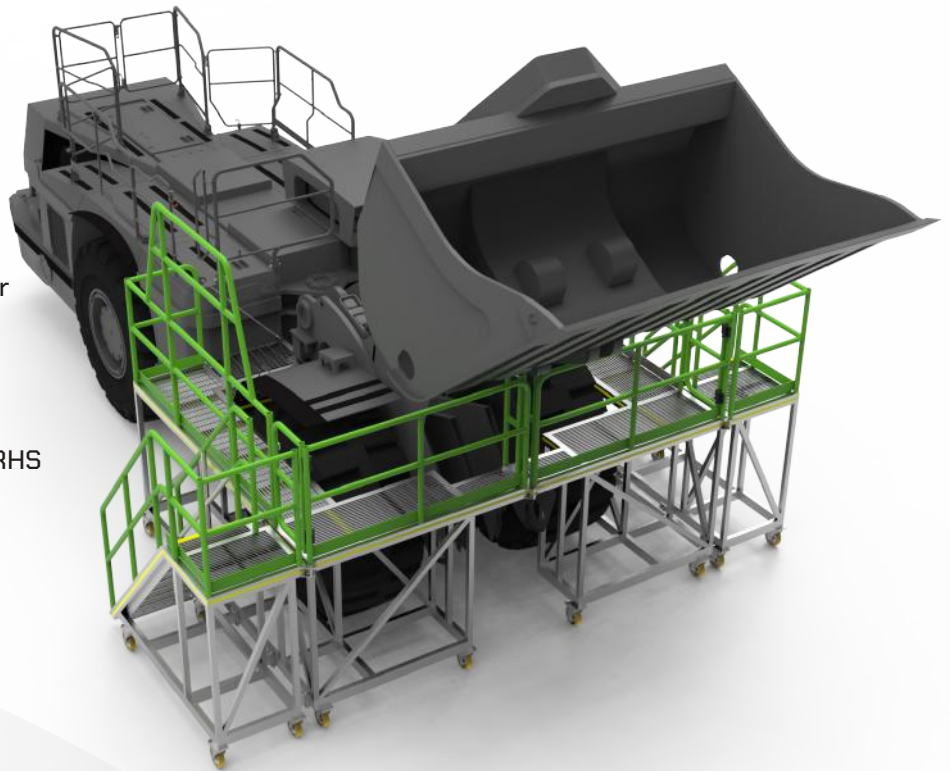
SANDVIK LH621 FRONT ACCESS PLATFORM

Part No. 5501967

A platform designed and engineered to provide safe and efficient access to the front end of the Sandvik LH621 Loader for maintenance and repairs. Certified and compliant with Australian Standards.

Features:

- Full TIG welded, heavy-duty aluminium RHS construction
- Non-slip, serrated grating for deck and stair treads
- Non-slip nosings on all stair treads
- High quality castor wheels
- Heavy-duty levelling jack stands
- Fold-out platform sections
- Self-closing gates
- Safety handrails with kickplates
- Extra height handrails at tyre points



SANDVIK LH621 REAR ACCESS PLATFORM

Part No. 5001962

A platform designed and engineered to provide safe and efficient access to the rear end of the Sandvik LH621 Loader for routine maintenance and repairs. Certified and compliant with Australian Standards.

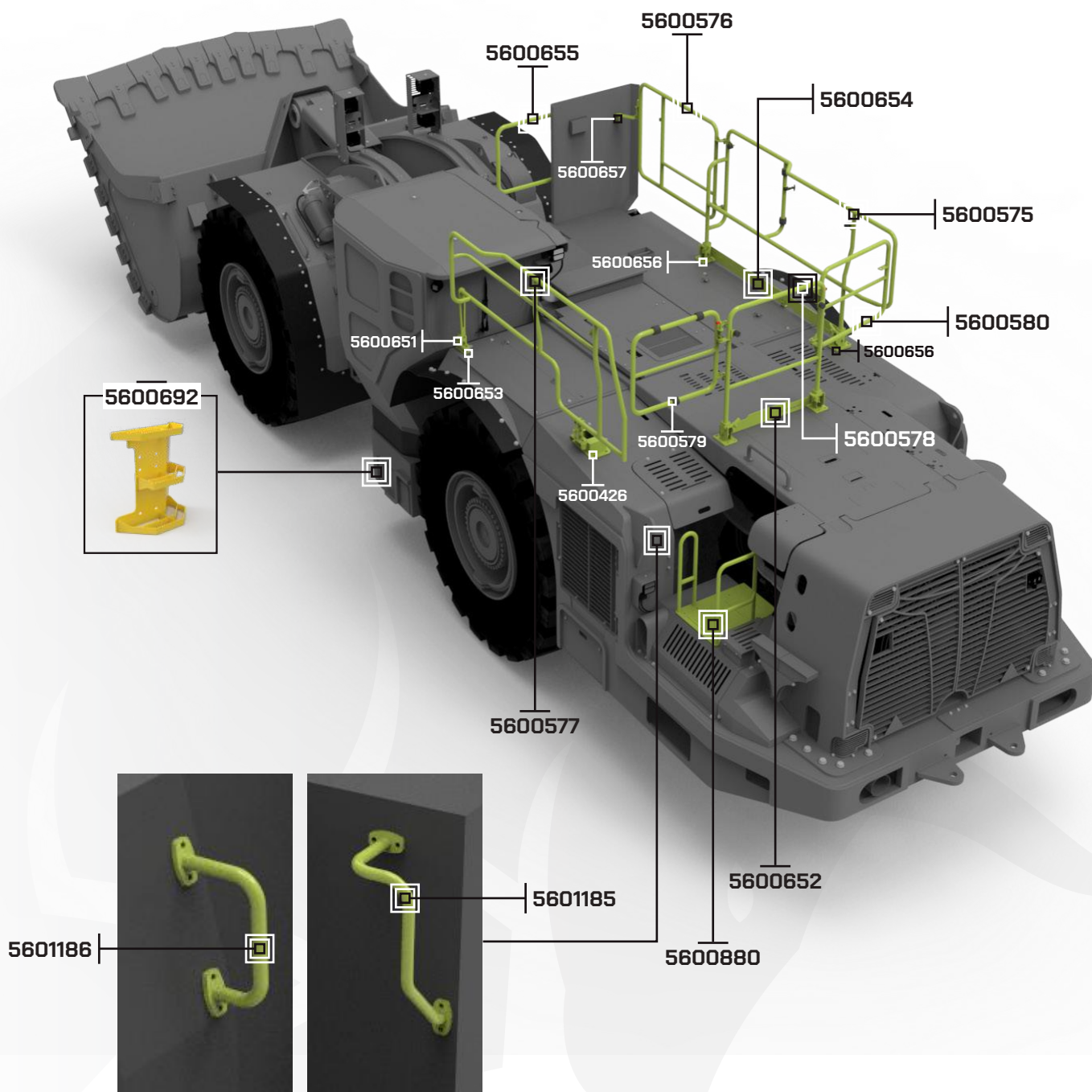
Features:

- Full TIG welded, heavy-duty aluminium RHS construction
- Three platforms bolt together
- Non-slip, serrated grating for deck and stair treads
- Non-slip nosings on all stair treads
- High quality castor wheels
- Self-closing gates

**SANDVIK
LH621i LOADER**

ELIMINATING DOWNTIME, MAXIMISING EFFICIENCY.







Right Side Handrail 5600575

OEM No. BG01211129



Right Side Gate 5600576

OEM No. BG01211136



Left Side Handrail 5600577

OEM No. BG01214226



Rear Handrail 5600578

OEM No. BG01213823



Rear Gate 1 5600579

OEM No. BG01213911



Rear Gate 2 5600580

OEM No. BG01214448



Tank Cover Rail 5600655

OEM No. BG01447162



Kickplate 5600652

OEM No. BG01213823



Kickplate and Bracket 5600654

OEM No. BG01236467 & BG01010139



Actuator Housing 5600426

OEM No. BG00861412



Mount Plates 5600651

OEM No.: BG00860827,
BG00861425, BG00861356



Rail Stopper 5600657

OEM No. BG01215100



Mount Bracket 5600653

OEM No. BG00910132



Mount Shim 5600656

OEM No. BG01222304
[2 units required per set]



Exhaust Rail 5600880

OEM No. BG00842904



Cab Step 5600692

OEM No. BG00963981



Handrail 5601186

OEM No. BG00917529



Handrail 5601185

OEM No. BG00841428

SANDVIK LH621i HANDRAIL STORAGE RACK

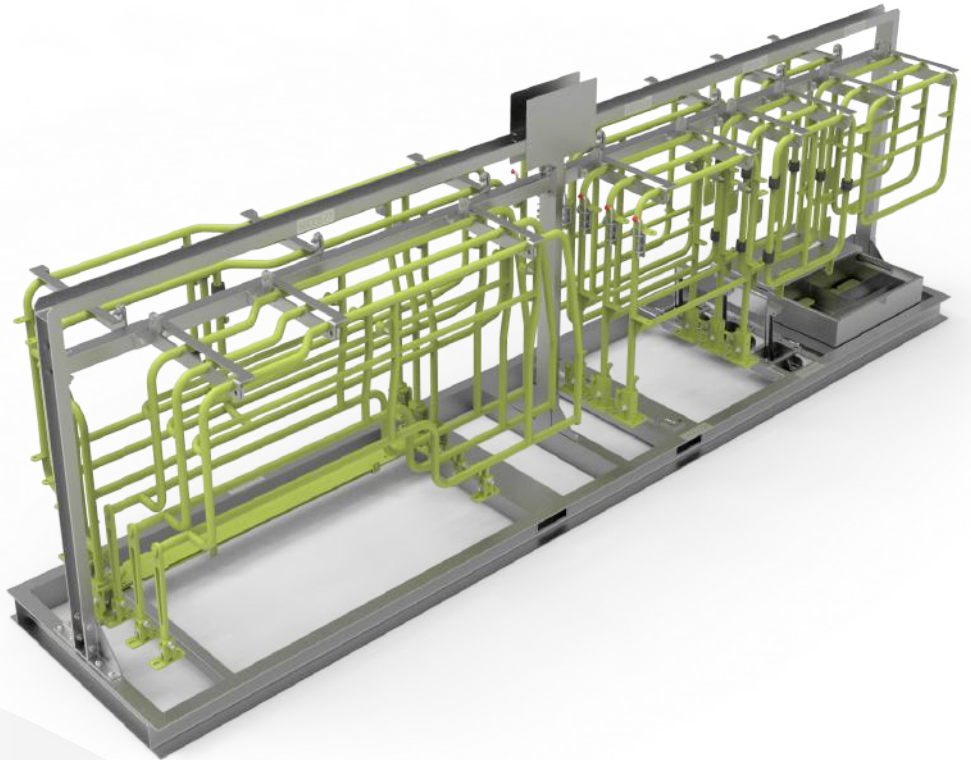
Part No. 5600749

A designed and engineered storage solution to hold a full set of Sandvik LH621i handrails. Certified and compliant with Australian Standards.

This handrail storage rack allows sites to access replacement handrails quickly and easily, without waiting for freight.

Features:

- Heavy-duty steel construction
- Heavy-duty hot dip galvanised finish
- All required signage incorporated
- Rack capacity: 3 complete sets
- Forklift slots
- Lockable hinges
- Handrails not included



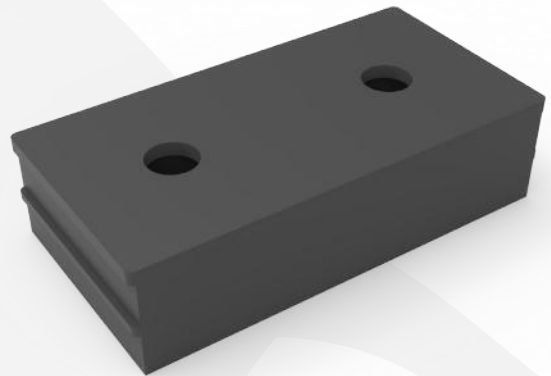
SANDVIK LH621 / LH621i TILT CYLINDER GUARD

Part No. 5600727

OEM No. BG00601294

Features:

- Direct OEM replacement
- Suits Sandvik LH621 and LH621i



LOADER BUCKET BUMPER

Part No. 5600860

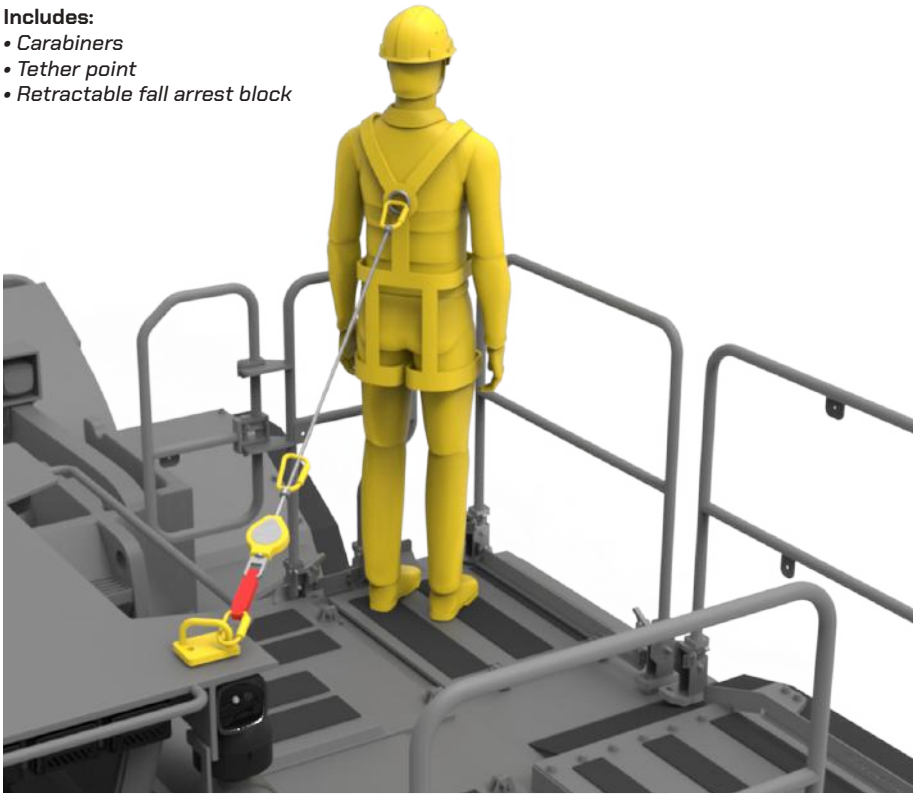
OEM No. 56043968

Features:

- Direct OEM replacement
- Polyurethane

Includes:

- Carabiners
- Tether point
- Retractable fall arrest block



SANDVIK LH62ii FALL ARRESTOR TETHER KIT

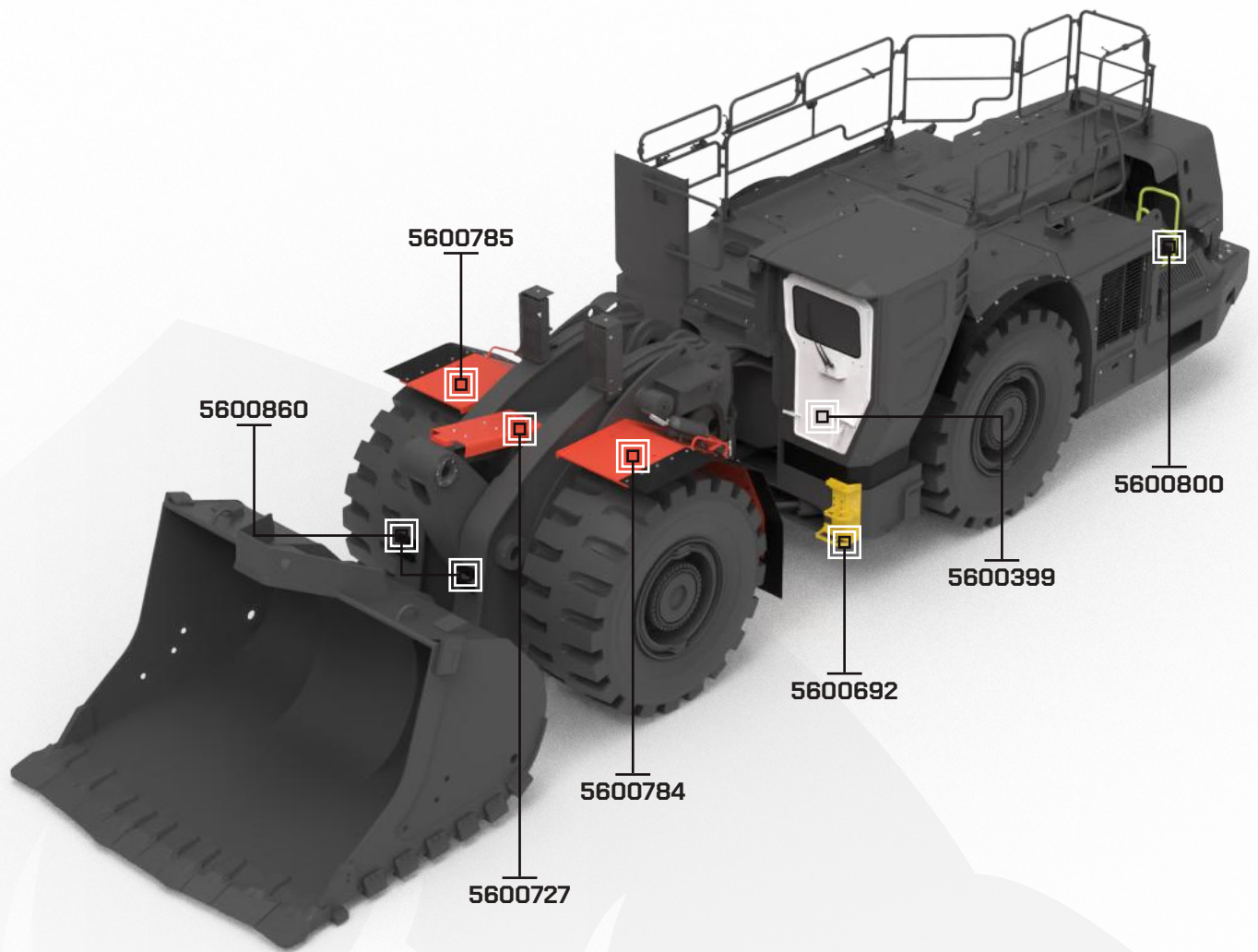
Part No. 5504910

A solution to provide operators/fitters with a tethering kit which they could lock onto, while erecting the handrails on the machine.

Features:

- Tether kit is pre-rated to arrest the fall of an operator.
- Tether mechanism locks if the operator begins to lose balance preventing a fall.
- Uses existing bolts/fittings on the roof and cab mounts and engineered and certified brackets for the retractable fall arrest tethers to attach to.

ELIMINATING DOWNTIME, MAXIMISING EFFICIENCY.



SANDVIK LH621i CAB DOOR

Part No. 5600399

Suits Sandvik LH517i and LH621i.
OEM No. BG00807642

Features:

- Direct OEM replacement
- Heavy-duty construction
- Precision manufactured for fast fit up to your machine



SANDVIK LH621i FIXED FRONT FENDERS

Part No. 5600785 (RH) / 5600784 (LH)

Direct OEM replacement for Sandvik LH621i Fenders.

Features:

- Heavy duty construction
- Precision manufactured for fast fit up to your machine

Part No. 5600785 (RH)
OEM No. BG00862594

Part No. 5600784 (LH)
OEM No. BG00862471



**SANDVIK LH62i LH FENDER
UPPER FLAP**

Part No. 5609144

Direct replacement for Sandvik LH62i
Fender upper flap OEM No BG00861929.

Features:

- Heavy duty steel construction
- Finished in Sandvik Red
- Stocked for immediate despatch



**SANDVIK LH62i RH FENDER
UPPER FLAP**

Part No. 5609145

Direct replacement for Sandvik LH62i
Fender upper flap OEM No BG00862594.

Features:

- Heavy duty steel construction
- Finished in Sandvik Red
- Stocked for immediate despatch



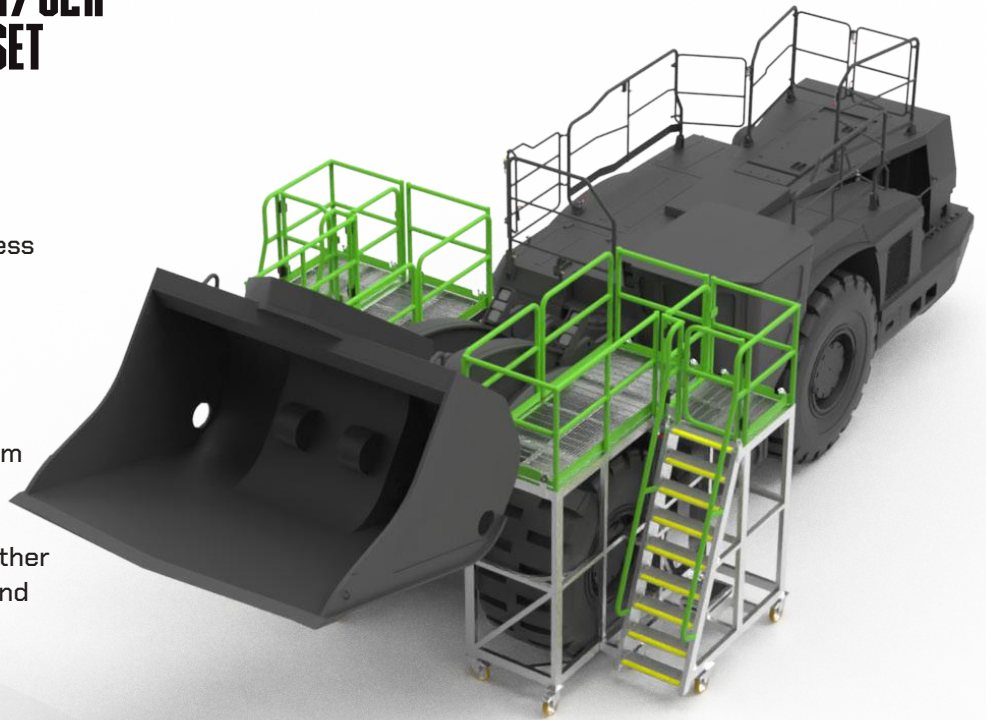
SANDVIK LH517 / 517i & LH621 / 621i LIFT ARM ACCESS PLATFORM SET

Part No. 5504086

A certified platform designed and engineered for safe and efficient access to the lifting cylinder of the Sandvik LH517/i and LH621/i. Certified and compliant with Australian Standards.

Features:

- Full TIG welded, heavy-duty aluminium RHS construction
- WLL: 250kg per platform
- 4-piece design, platforms latch together
- Non-slip, serrated grating for deck and stair treads
- Non-slip nosings on all stair treads
- High quality castor wheels
- Heavy-duty levelling jack stands
- Self-closing gates
- Removable handrails
- Lifting lugs



SANDVIK LH621i TILT CYLINDER ACCESS PLATFORM

Part No. 5607923

An access platform designed and engineered for the safe and efficient access to the tilt cylinder of the CAT R2900G and Sandvik LH621i. Certified and compliant with Australian Standards.

Features:

- Full TIG welded, heavy-duty aluminium RHS construction
- WLL: 150kg
- Bolt-on safety handrails with kickplates
- Non-slip, serrated grating work deck and stair treads
- Non-slip nosings on all stair treads
- High quality German made castor wheels
- Removable handrail
- Safety drop bar
- Self-closing gates
- Forklift slots

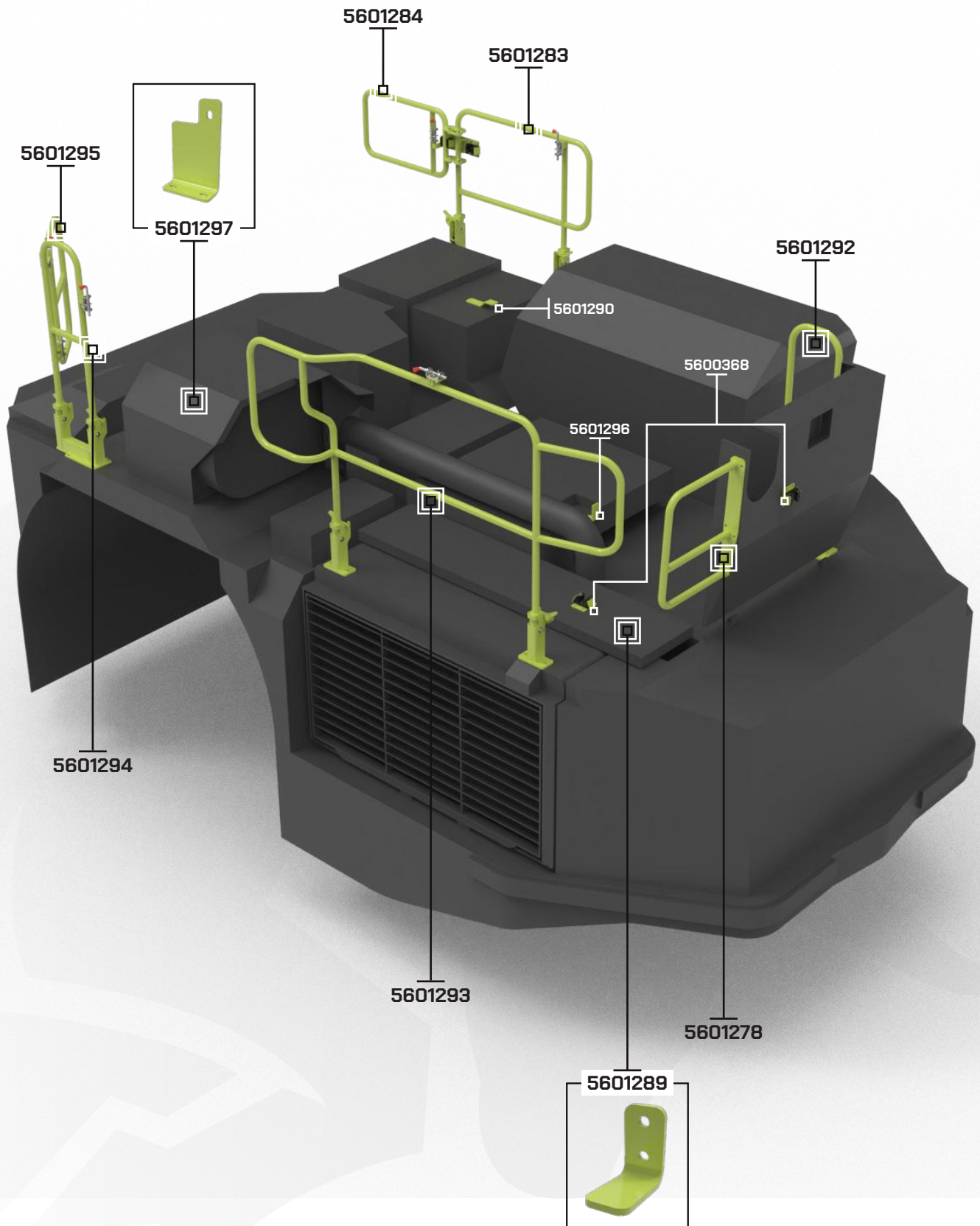




**SANDVIK
TH540 / TH550 TRUCK**

ELIMINATING DOWNTIME, MAXIMISING EFFICIENCY.







Handrail 5601278
OEM No. BG00395762



Handrail 5601292
OEM No. BG00394586, BG00395204



Handrail 5601293
OEM No. BG00398719, 56048654



Handrail 5601294
OEM No. BG00401609, BG00399338



Handrail Gate 5601295
OEM No. 56045057



Handrail 5601283
OEM No. BG0039954, BG00405258, BG00411379,
BG00210180, BG00220538



Handrail Gate 5601284
OEM No. BG00399609, BG00401064



Support Plate 5601296
OEM No. BG00405447



Lock Plate 5601297
OEM No. BG00406139



Support Plate 5601289
OEM No. BG00396343



Lock Plate 5601290
OEM No. BG00406211



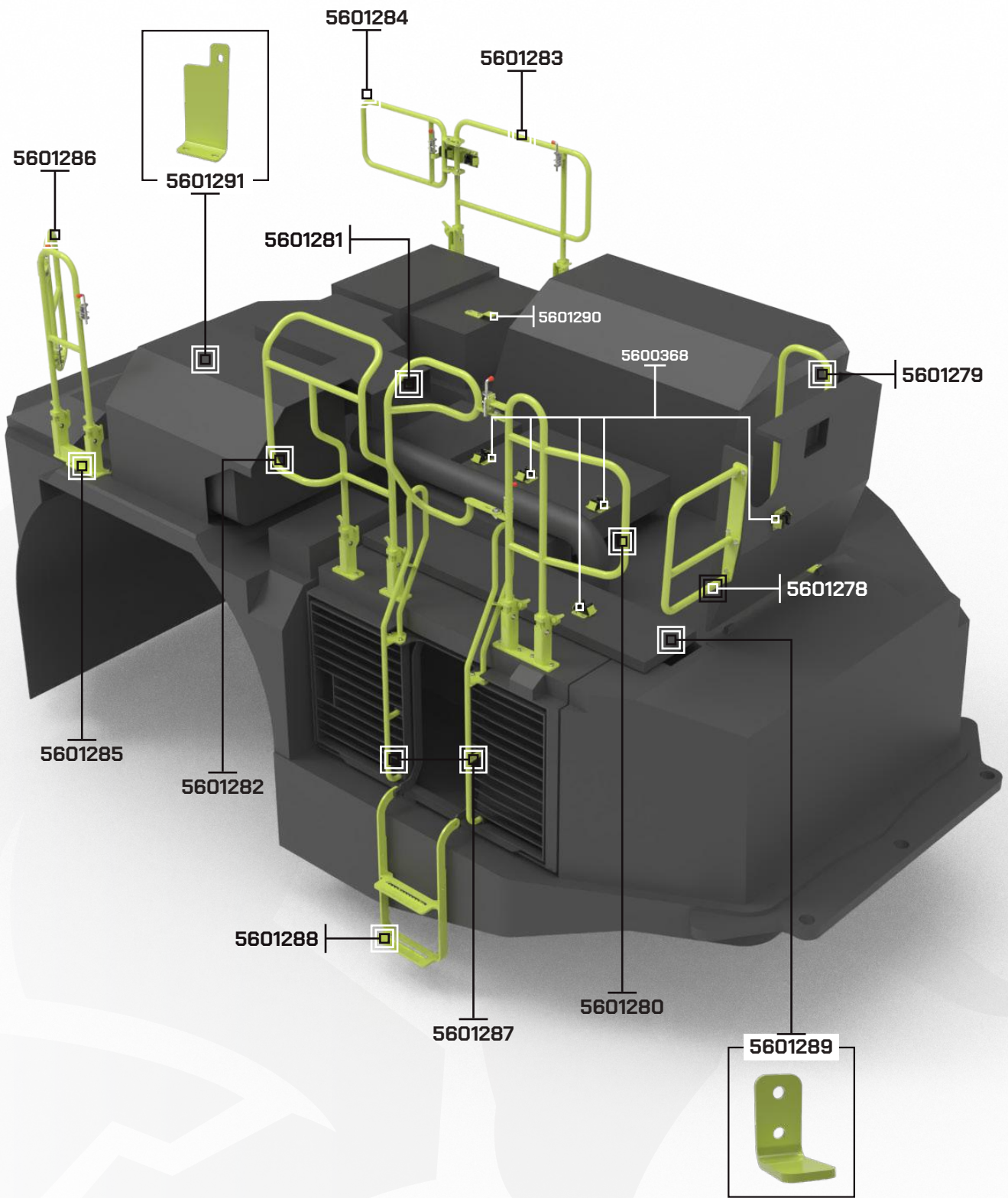
Bracket 5600368 [2 Req.]
OEM No. BG00210180, BG00220538

**SANDVIK
TH545i TRUCK**



ELIMINATING DOWNTIME, MAXIMISING EFFICIENCY.







Guardrail 5601278

OEM No. BG00395762



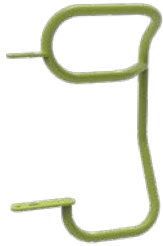
Handrail 5601279

OEM No. BG00949424, BG00949564



Handrail 5601280

OEM No. BG00970931, BG01001252



Handrail Gate 5601281

OEM No. BG01003998



Handrail 5601282

OEM No. BG00970926, 56048654



Handrail 5601283

OEM No. BG00399546, BG00405258, BG00411379, BG00210180, BG00220538



Handrail Gate 5601284

OEM No. BG00399609, BG00401064



Handrail 5601285

OEM No. BG00399338, BG00891915, BG00413437



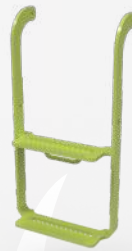
Handrail Gate 5601286

OEM No. BG00949392



Grabrails 5601287 (2 Req.)

OEM No. BG00973787



Ladder 5601288

OEM No. BG00969229



Support Plate 5601289

OEM No. BG00396343



Lock Plate 5601290

OEM No. BG00406211



Lock Plate 5601291

OEM No. BG00891909



Bracket 5600368 (5 Req.)

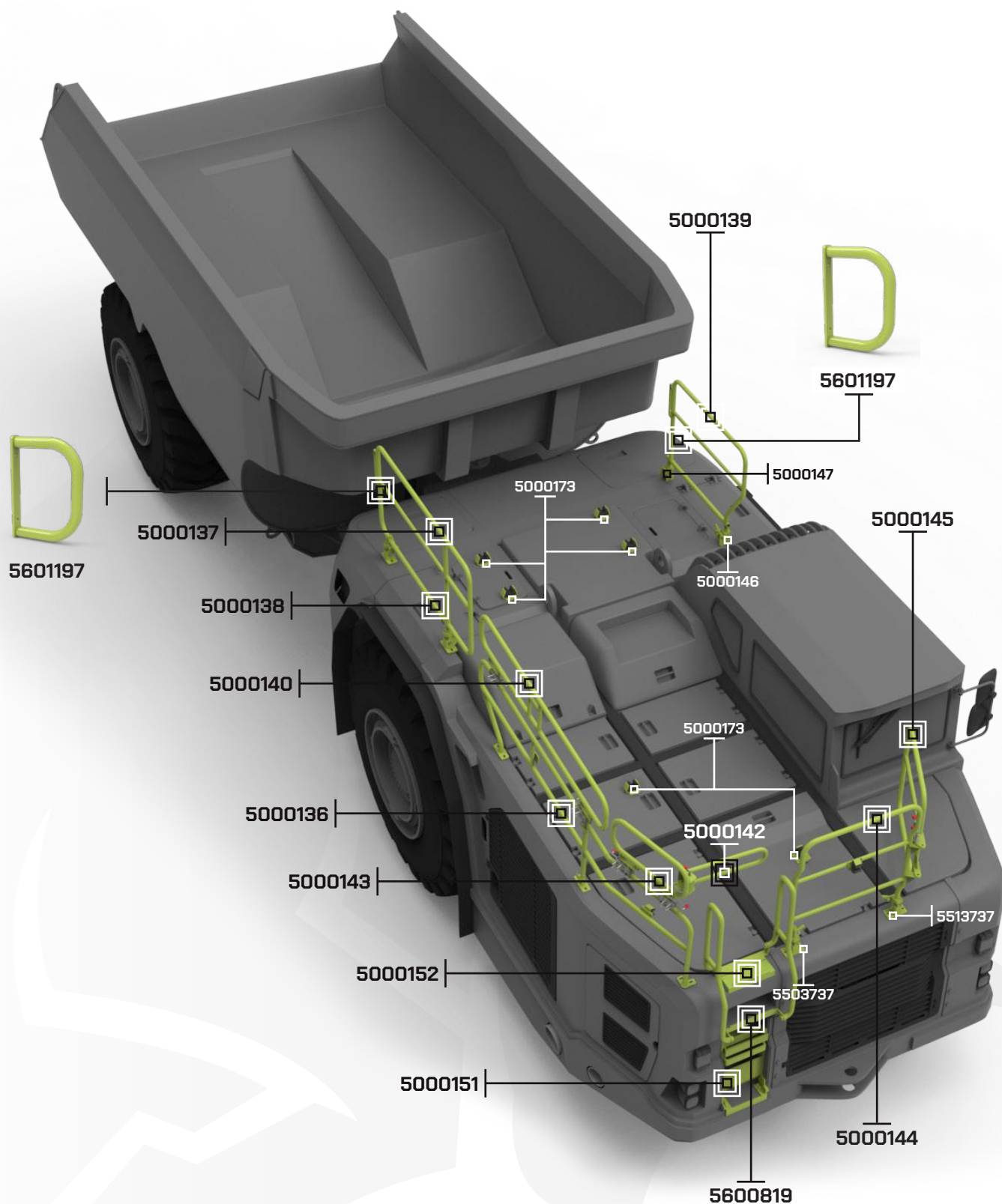
OEM No. BG00210180, BG00220538

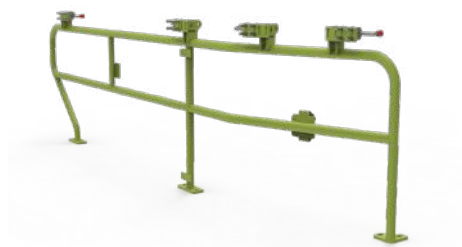


**SANDVIK
TH551/i & TH663/i
TRUCK**

ELIMINATING DOWNTIME, MAXIMISING EFFICIENCY.







Handrail 5000136

OEM No. BG00213893



Handrail 5000137

OEM No. BG00204159



Handrail 5000140

OEM No. BG00202252



Handrail 5000145

OEM No. BG00208760



Handrail 5000144

OEM No. BG00202032



Handrail 5000142

OEM No. BG00329584



Handrail 5000143

OEM No. BG00202490



Handrail 5000139

OEM No. BG00204240



Handrail 5000138

OEM No. BG00204183



Ladder 5000152

OEM No. BG00210677



Step Ladder 5000151

OEM No. 56210006



Support Bracket 5000147

OEM No. 56209439



LH Handrail Hinge 5503737



RH Handrail Hinge 5513737



Support Bracket 5000146

OEM No. BG00236951



Mount Plate 5600819

OEM No. BG00210718



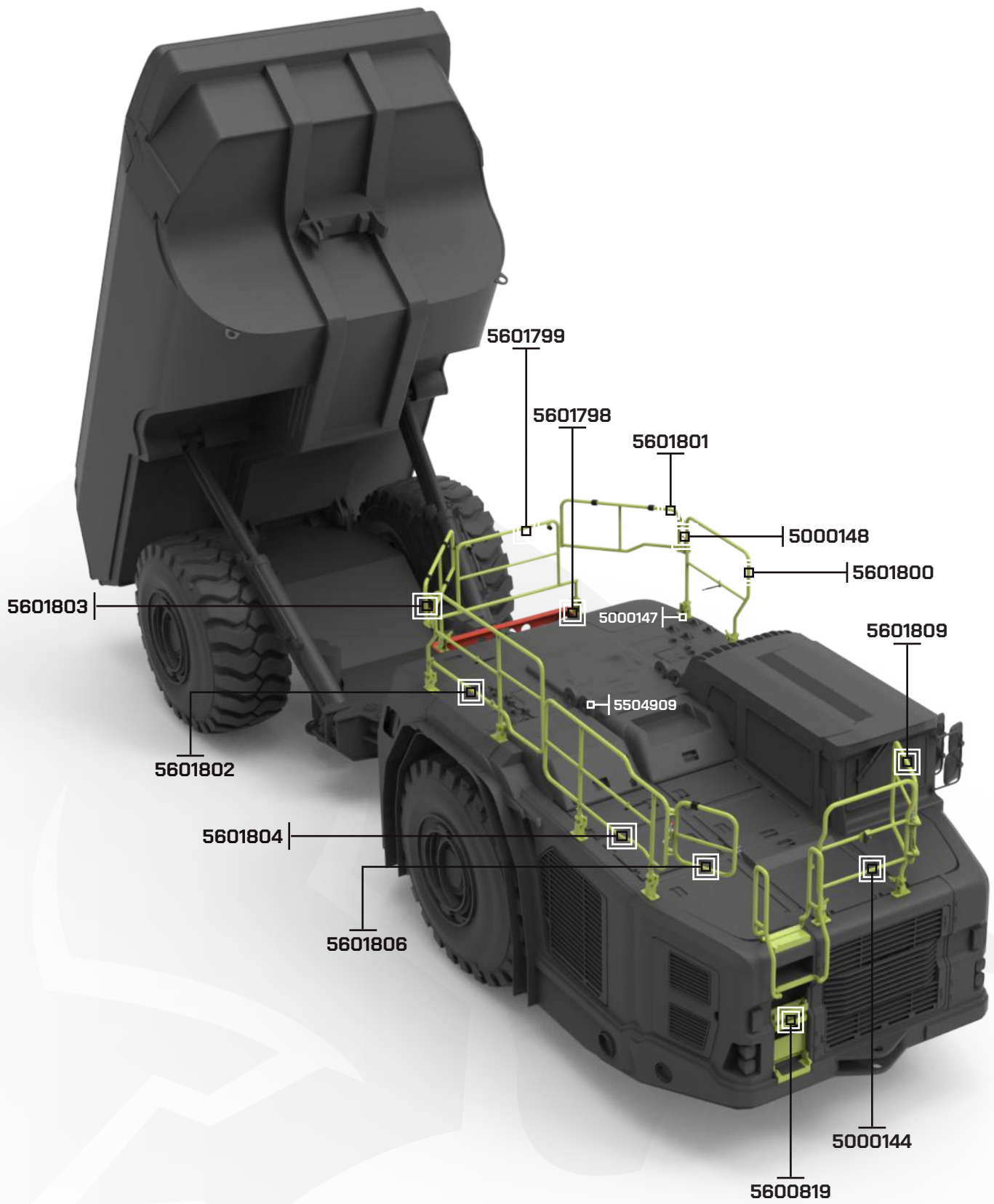
Bracket & Rubber 5000173

[6 Required]



Rear Grabrail 5601197

OEM No. BG00270203





**Rear LHS Handrail
5601800**

OEM No. BG01556441



**Rear LHS Handrail Gate
5601801**

OEM No. BG01556441



**Rear RHS Handrail
5601802**

OEM No. BG01556442



**Rear RHS Handrail Gate
5601803**

OEM No. BG01556442



Rear Handrail 5601799

OEM No. BG01569107,
BG01574119



**Rear Handrail Support
5601798**

OEM No. BG01568728



RH Front Handrail 5601804

OEM No. BG01592847



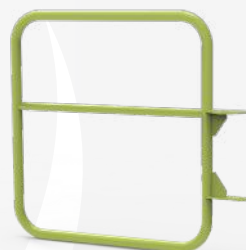
**RH Front Handrail Gate
5601806**

OEM No. BG01592847



Front Handrail 5601808

OEM No. BG01592351



**Front Handrail LH Gate
5601809**

OEM No. BG01592351



**Front Handrail RH Gate
5601810**

OEM No. BG01592351



Ladder 5000152

OEM No. BG00210677



Step Ladder 5000151

OEM No. 56210006



Support Bracket 5000147

OEM No. 56209439



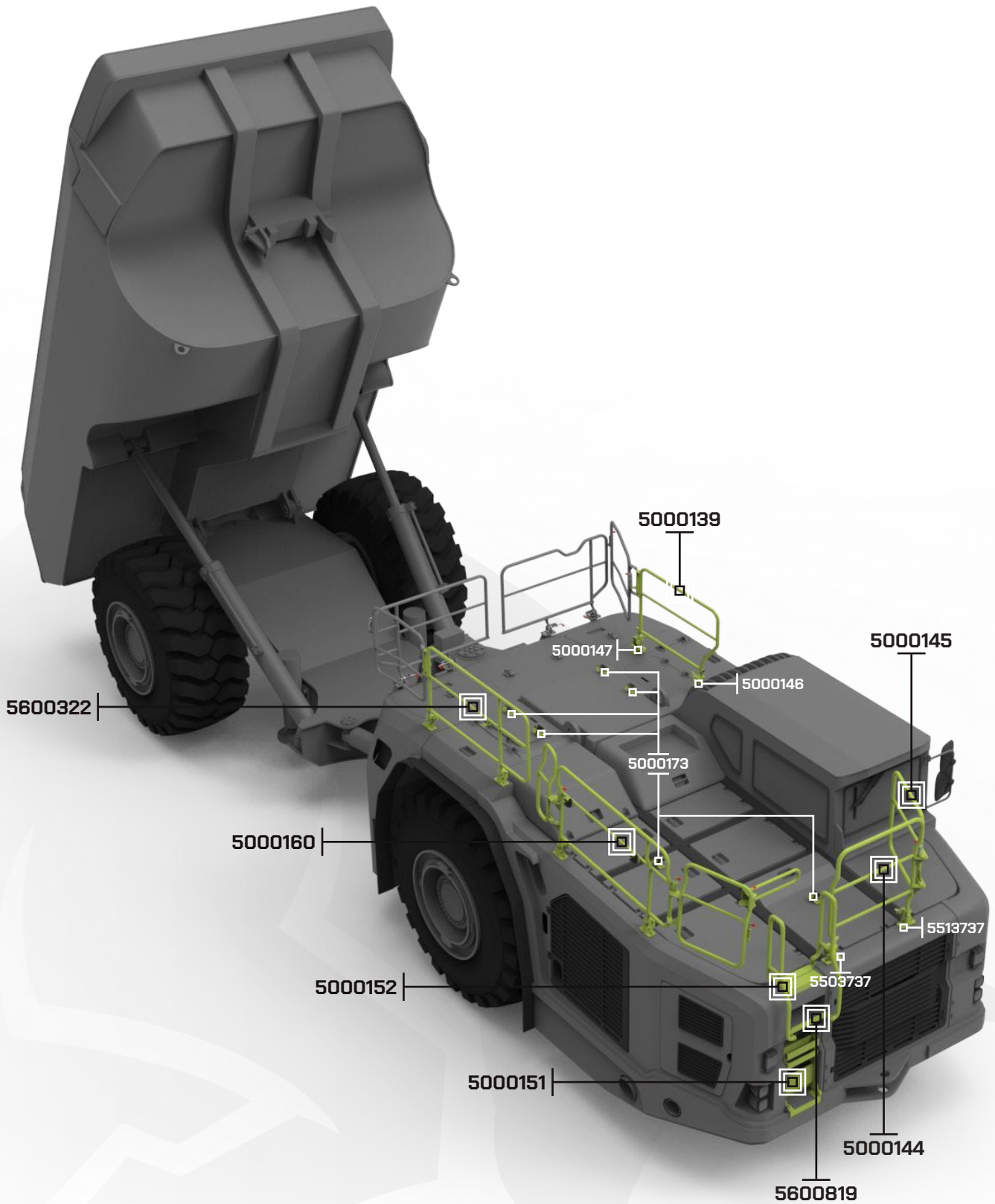
Support Bracket 5000146

OEM No. BG00236951



Mount Plate 5600819

OEM No. BG00210718





Handrail 5000139

OEM No. BG00204240



Handrail 5000160

OEM No. BG00213893, BG00213140,
BG00213142 & BG00213143



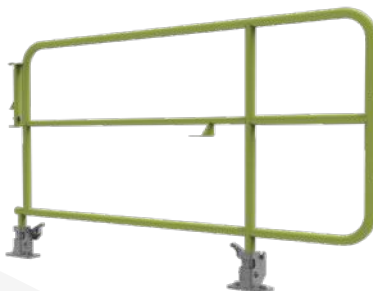
Handrail 5000144

OEM No. BG00202032



Handrail 5000145

OEM No. BG00208760



Handrail 5600322

OEM No. BG00204159



Ladder 5000152

OEM No. BG00210677



Step Ladder 5000151

OEM No. 56210006



Mount Plate 5600819

OEM No. BG00210718



Bracket & Rubber 5000173

[6 Required]



LH Handrail Hinge

5503737 [4 Required]



RH Handrail Hinge

5513737 [4 Required]



Support Bracket 5000147

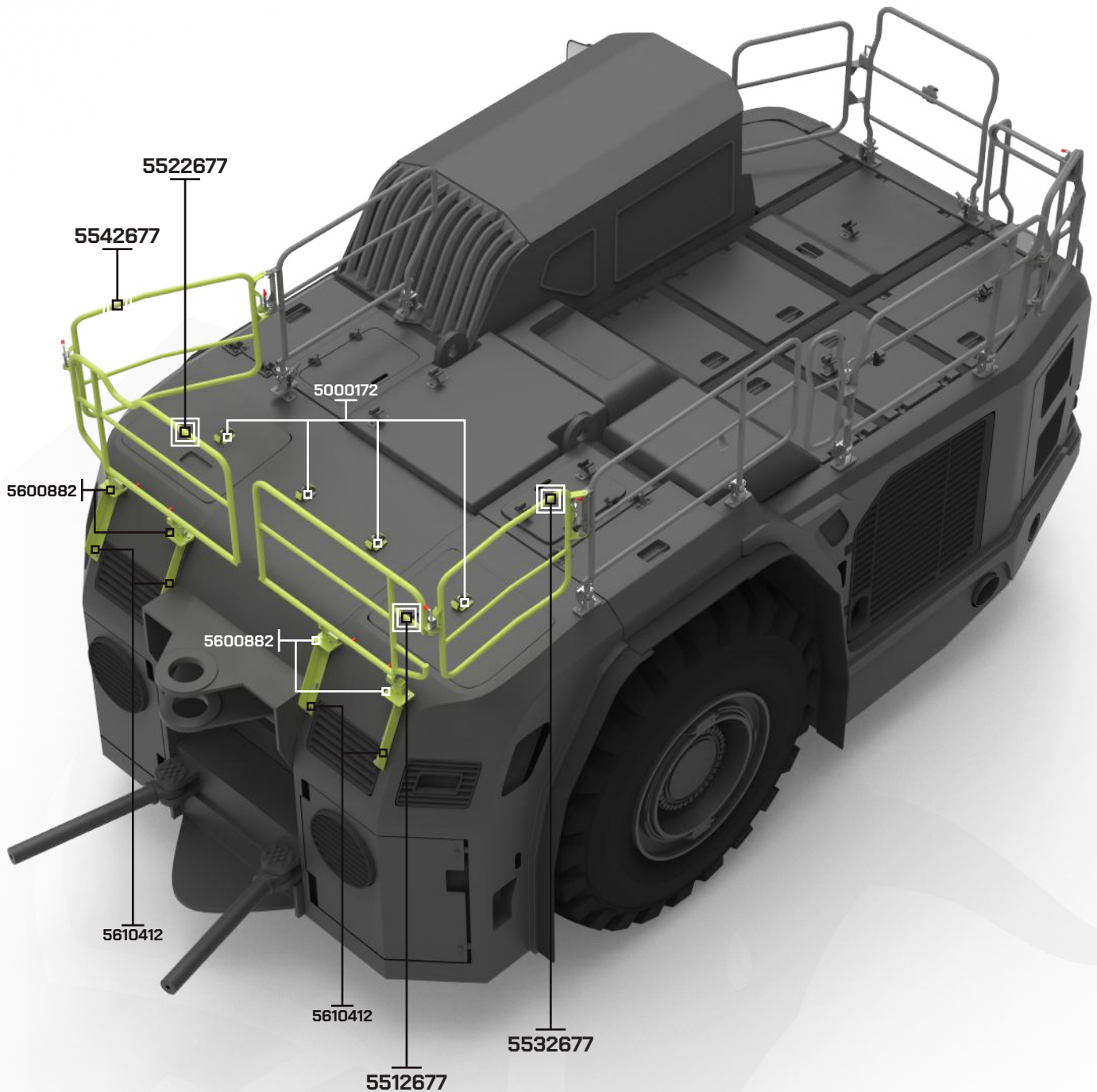
OEM No. 56209439



Support Bracket 5000146

OEM No. BG00236951

SANDVIK TH551/i & TH663/i TRUCK - REAR LOW FOLDING HANDRAILS
CLASSIC & i SERIES



SANDVIK TH551/i & TH663/i TRUCK - REAR LOW FOLDING HANDRAILS
CLASSIC & iSERIES



Handrail 5542677



Handrail 5522677



Handrail 5512677



Handrail 5532677



Rear Mount Set 5610412
[2 Sets Required]



Foot 5600882
[2 Required]



Latch 5000149 *[2 Required]*
OEM No. BG00214267



Latch 5000148 *[2 Required]*
OEM No. BG00214262



Bracket & Rubber 5000172
[4 Required]



SANDVIK TH551/i & TH663/i HANDRAIL STORAGE RACK

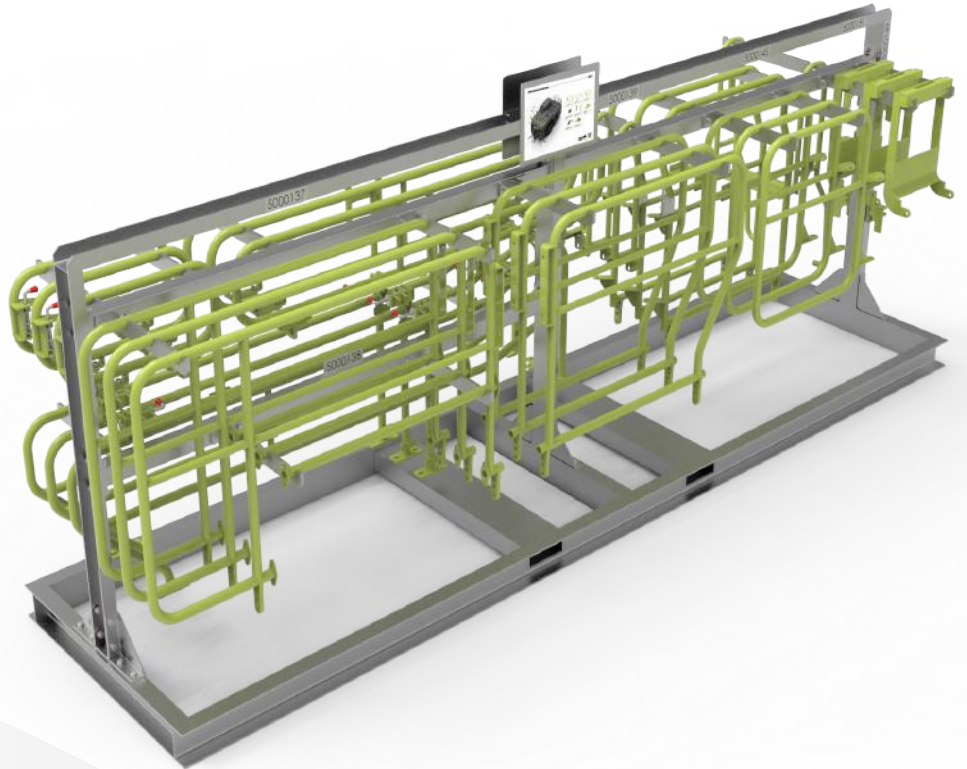
Part No. 5502978

A designed, engineered and certified storage solution for Sandvik TH551/i & TH663/i handrails. Certified and compliant with Australian Standards.

This handrail storage rack allows sites to access replacement handrails quickly and easily, without waiting for freight.

Features:

- Heavy-duty steel construction
- Heavy-duty hot dip galvanised finish
- All required signage incorporated
- Rack capacity: 3 complete sets
- Forklift slots
- Handrails not included



SANDVIK TH551/i & TH663/i HANDRAIL STORAGE RACK – LOW FOLDING & REAR SET ACCOMMODATION

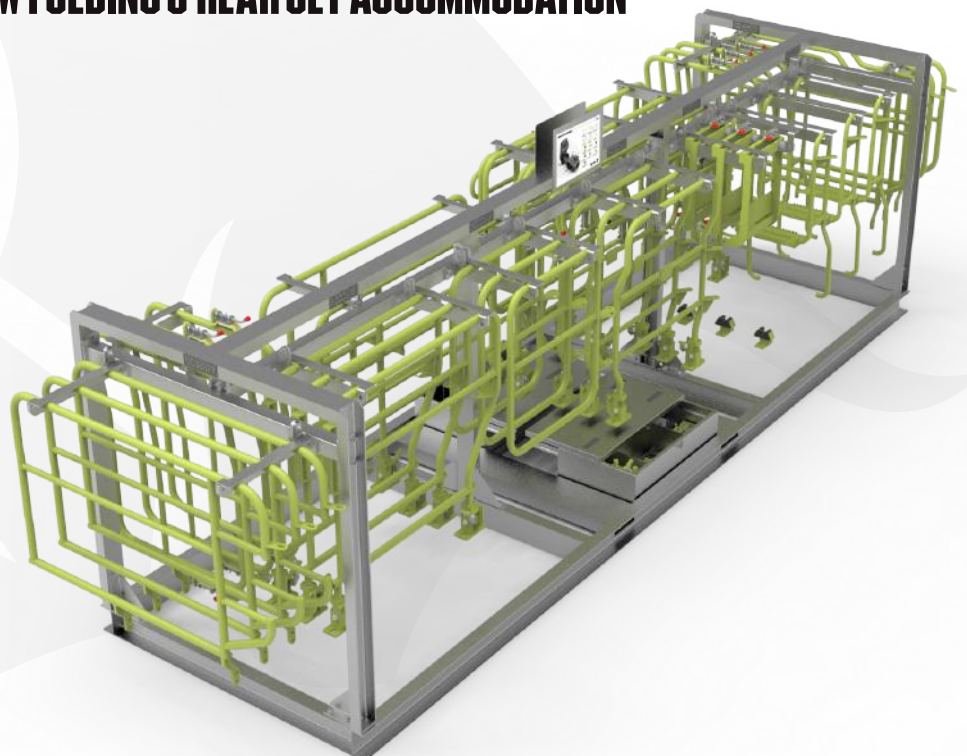
Part No. 5506108

A designed, engineered and certified storage solution for Sandvik TH551/i & TH663/i low folding and rear handrails. Certified and compliant with Australian Standards.

This handrail storage rack allows sites to access replacement handrails quickly and easily, without waiting for freight.

Features:

- Heavy-duty steel construction
- Heavy-duty hot dip galvanised finish
- All required signage incorporated
- Rack capacity: 3 complete sets
- Forklift slots
- Lockable hinges
- Handrails not included



SANDVIK TH551/i & TH663/i HANDRAIL STORAGE RACK – LOW FOLDING FRONT SET ONLY

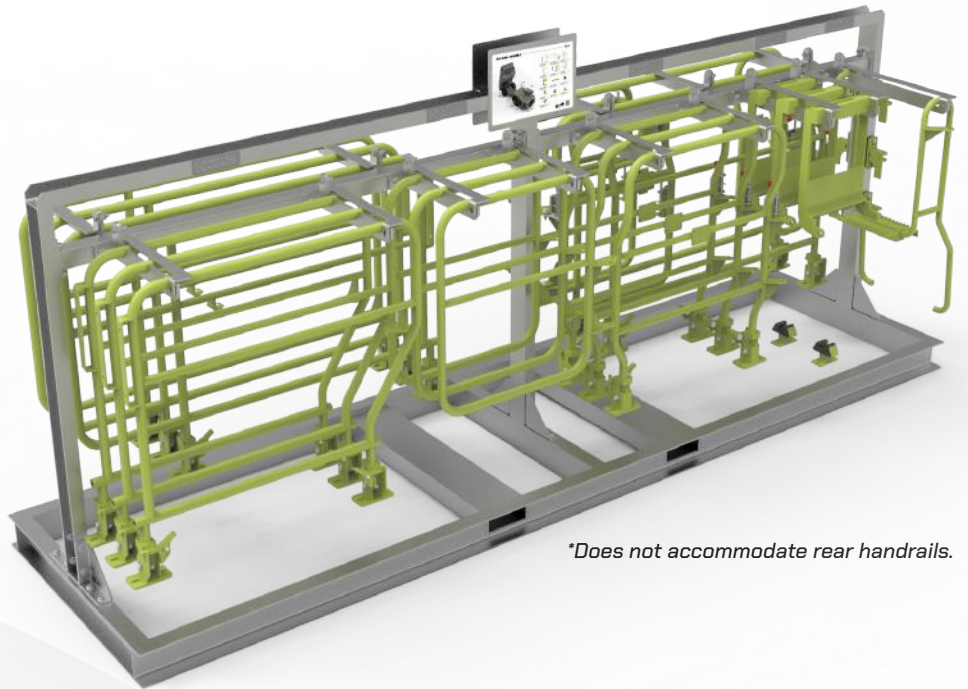
Part No. 5504560

A designed, engineered and certified storage solution for Sandvik TH551/i & TH663/i front low folding handrails. Certified and compliant with Australian Standards.

This handrail storage rack allows sites to access replacement handrails quickly and easily, without waiting for freight.

Features:

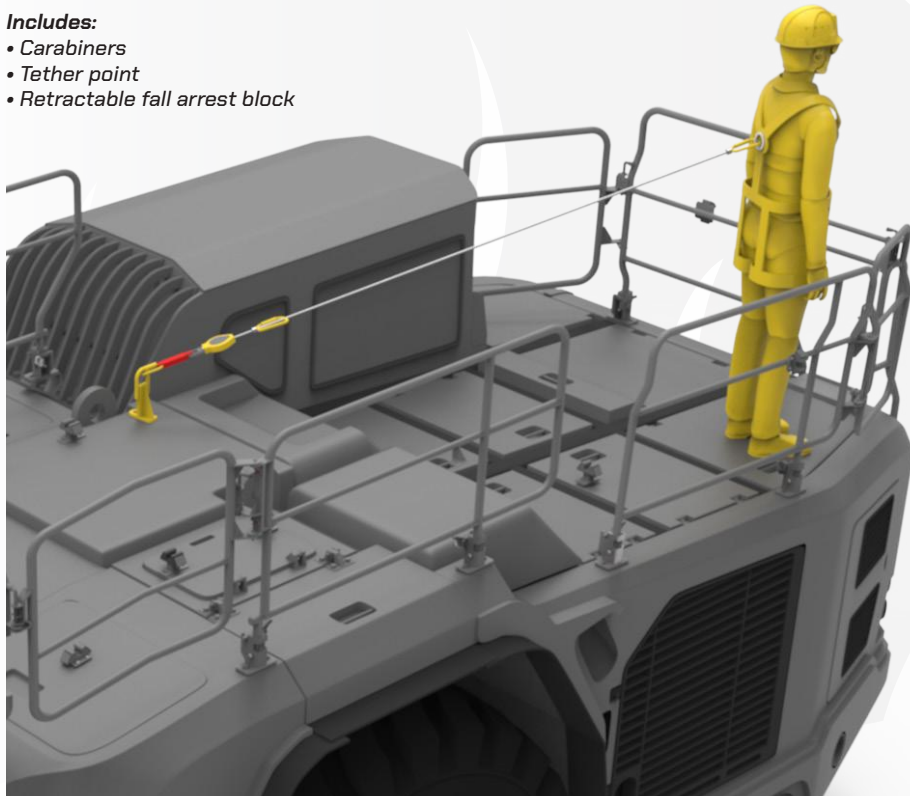
- Heavy-duty steel construction
- Heavy-duty hot dip galvanised finish
- All required signage incorporated
- Rack capacity: 3 complete sets
- Forklift slots
- Lockable hinges
- Handrails not included



**Does not accommodate rear handrails.*

Includes:

- Carabiners
- Tether point
- Retractable fall arrest block



SANDVIK TH551/i & TH663/i FALL ARRESTOR TETHER KIT

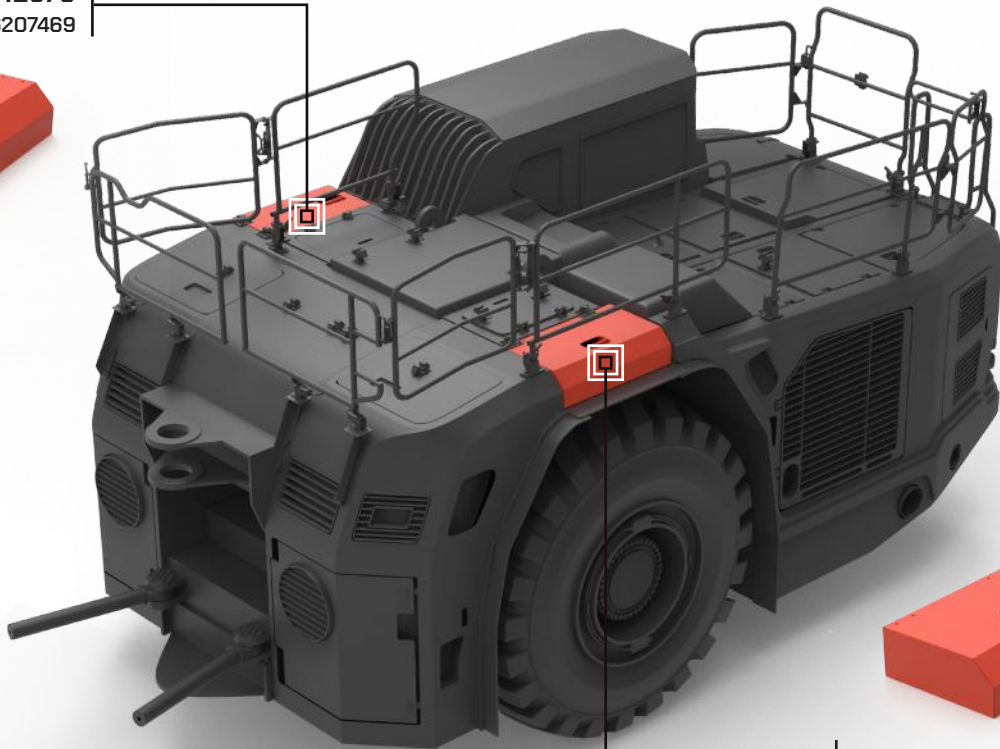
Part No. 5504909

A solution to provide operators/fitters with a tethering kit which they could lock onto, while erecting the handrails on the machine.

Features:

- Tether kit is pre-rated to arrest the fall of an operator.
- Tether mechanism locks when sudden movement is detected (e.g. losing balance), preventing tripping and/or falling from machine.
- Uses existing bolts/fittings on the roof and engineered and certified brackets for retractable fall arrest tethers to attach to.

LH Mudguard 5542678
OEM No. 56207469



RH Mudguard 5552678
OEM No. 56207470

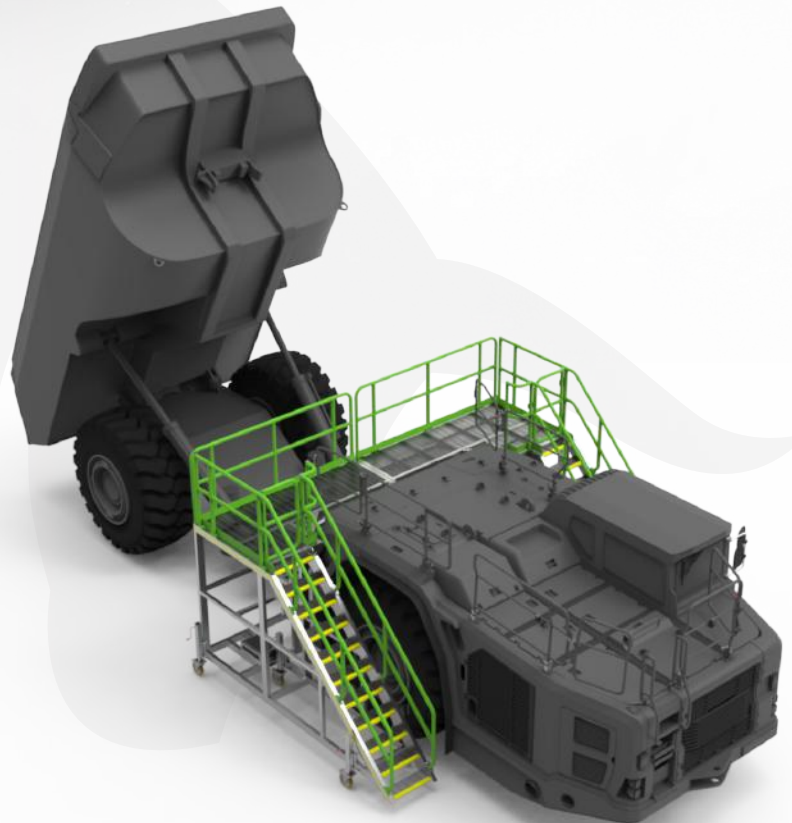
SANDVIK TH663 TRANSMISSION ACCESS PLATFORM

Part No. 5504061

A platform designed and engineered for safe and efficient access to the mid section of the Sandvik TH663 for maintenance and repairs. Certified and compliant with Australian Standards.

Features:

- Full TIG welded, heavy-duty aluminium RHS construction
- WLL: 250kg per platform
- 2-piece design, platforms latch together
- Non-slip, serrated grating for deck and stair treads
- Non-slip nosings on all stair treads
- High quality castor wheels
- Heavy-duty levelling jack stands
- Self-closing gates
- Bolt-on handrails



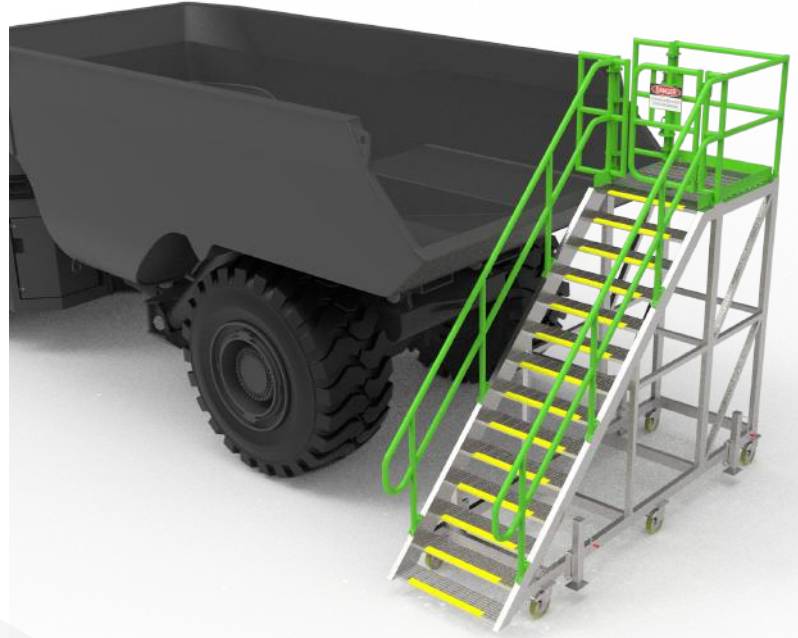
**SANDVIK TH663
TRAY ACCESS PLATFORM**

Part No. 5507377

A certified access platform designed and engineered to safely and efficiently access the rear tray/tub on the Sandvik TH663 for maintenance and inspection.

Features:

- Full TIG Welded, heavy-duty aluminium RHS construction
- WLL: 250kg
- Non-slip, serrated grating work deck and stair treads
- Non-slip nosings on all stair treads
- Bolt-on safety handrails with kickplates
- Swinging lockable handrails
- Self-closing gates
- Bolt-on handrails
- Heavy-duty levelling jacking stands
- High quality German made castor wheels



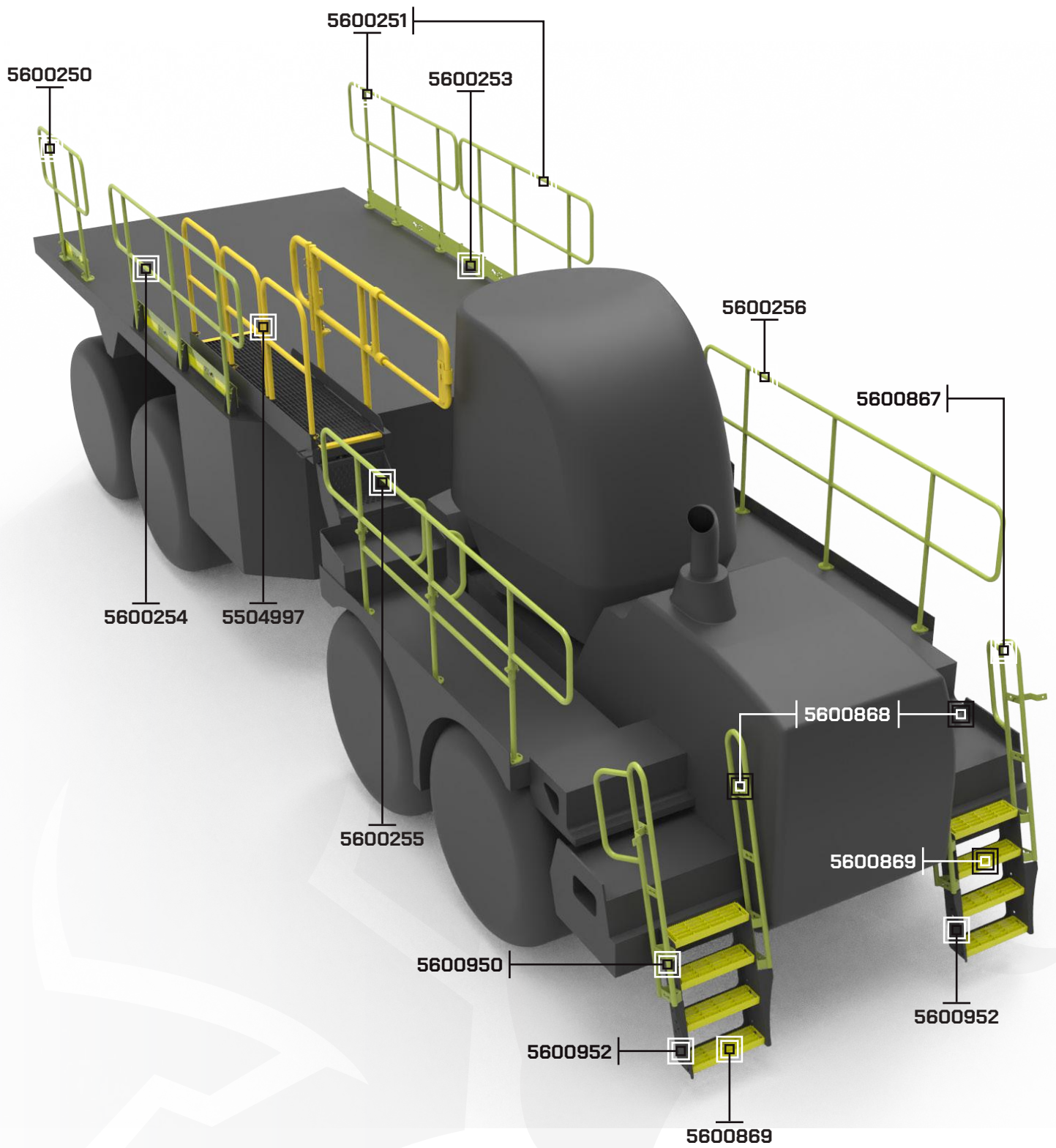
**ELIMINATING DOWNTIME,
MAXIMISING EFFICIENCY.**



**SANDVIK
RHINO R100H**

ELIMINATING DOWNTIME, MAXIMISING EFFICIENCY.







Handrail RH Rear 5600250
OEM No. 36920401



Handrail LH Rear 1 5600251 (2 Req.)
OEM No. 36920404



Kickplate for LH Rear Handrails 5600253



Handrail RH Middle 5600254
OEM No. 36920402



Handrail RH Front 5600255
OEM No. 36920406



Handrail LH Front 5600256
OEM No. 36920407



Handrail Replacement Post 5600617
OEM No. BG36920401 & BG36920404



Handrail Replacement Post 5600618
OEM No. BG36920404



Handrail Replacement Post 5600619
OEM No. BG36920402



Handrail Replacement Post 5600620
OEM No. BG36920406 & BG36920407

LH - Front Ladder LH Handrail
Part No. 5600867
OEM No. 36932550

RH - Front Ladder RH Handrail
Part No. 5600950
OEM No. 36932555

LH FRONT LADDER ASSEMBLY

Part No. 5600866

RH FRONT LADDER ASSEMBLY

Part No. 5600951

LH & RH Front Ladder Steps
Part No. 5600869
OEM No. 36931916 & 36940952

LH - Front Ladder RH Handrail
Part No. 5600868
OEM No. 36931928

RH - Front Ladder LH Handrail
Part No. 5600868
OEM No. 36931928

LH & RH Ladder & Step Frame
Part No. 5600952
OEM No. 36931929

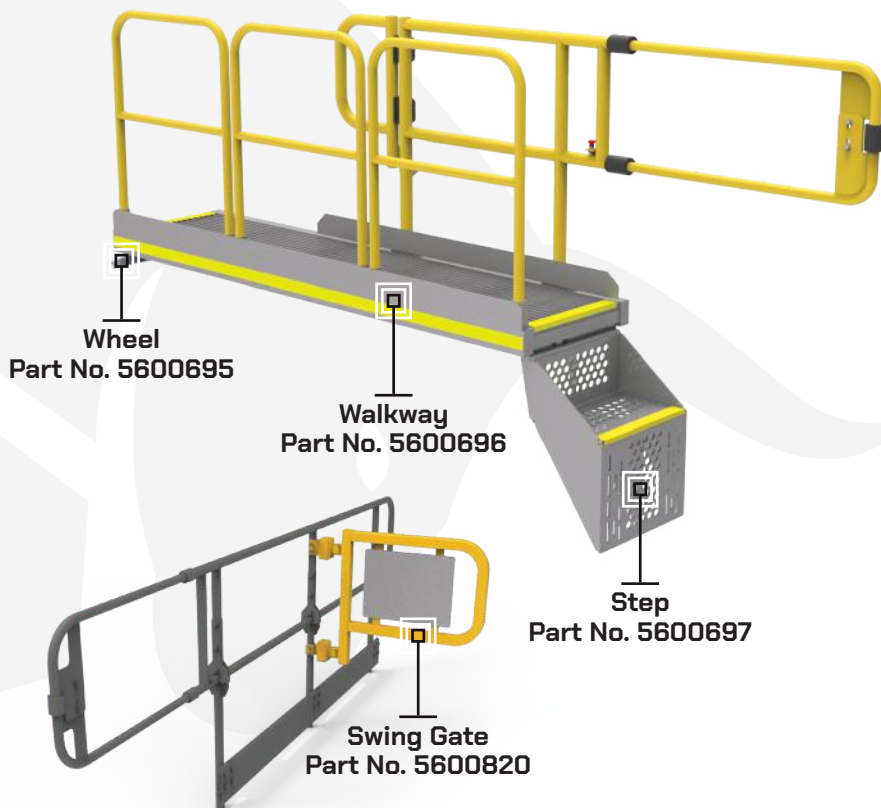
SANDVIK RHINO R100H WALKWAY AND STEPS

Part No. 5504997

Access and walkway steps made to make maintenance safer and more efficient on the Sandvik Rhino R100H. Designed and built to withstand the harshest underground mining environments.

Features:

- Full TIG welded, heavy-duty aluminium RHS construction
- Bolt-on handrail with self-closing gate
- Non-slip serrated grating and nosings
- Removable handrails on outer side
- Slide-out handrail



**SANDVIK RHINO R100H
JACKING LEG CLAMPS**

Part No. 5509273

Our jackstand clamps are designed and engineered for safe maintenance on the Sandvik R100H Rhinos. Provides a safe and supported load during maintenance. Certified and compliant with Australian Standards.

Features:

- Heavy-duty steel construction
- WLL: 30,000kg
- Easy to install and lock into place
- Load rated handles for hoist install



**ELIMINATING DOWNTIME,
MAXIMISING EFFICIENCY.**

**SANDVIK
DL421 DRILL**

ELIMINATING DOWNTIME, MAXIMISING EFFICIENCY.





Hose Guide 5000038

OEM No. 55054734



Hose Guide Assembly 5000039

OEM No. 32821157



Hose Guide Assembly 5000041

OEM No. 35255508



Hose Guide 5000042

OEM No. 35239618



Hose Guide 5000043

OEM No. 35225658



LH Door Handrail 5000166

OEM No. 55201216



RH Door Handrail 5000167

OEM No. 55201213



LH Cab Handrail 5000168

OEM No. 55201214



RH Cab Handrail 5000169

OEM No. 55282506

ROX 

UNDERGROUND MACHINE PARTS

**SANDVIK
DD421 DRILL**

ELIMINATING DOWNTIME, MAXIMISING EFFICIENCY.





RH Door Handrail 5000163

OEM No. 55182505



LH Outer Handrail 5000164

OEM No. 55182506



LH Door Handrail 5000162

OEM No. 55182538



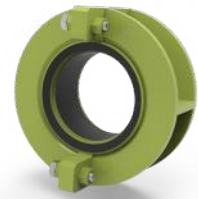
RH Outer Handrail 5000165

OEM No. 55182506



SANDVIK DD421-60 Handrail

5600822



SB60/TB60 Ram Clamp Collar

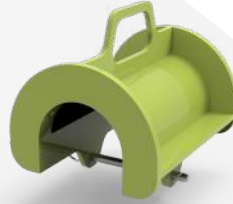
5607791

Suits Sandvik DD421/i & DD422/i



**SB60/TB60 Ram Clamp Extension
to 200mm 5607792**

Suits Sandvik DD421/i & DD422/i



**SB60/TB60 Ram Clamp Extension
to 350mm 5607793**

Suits Sandvik DD421/i & DD422/i



**SB60/TB60 Ram Clamp Extension
to 500mm 5607794**

Suits Sandvik DD421/i & DD422/i



**SB40 Hydraulic Ram Clamp
200mm 5000174**

Suits Sandvik DD421/i & DD422/i



**SB40 Hydraulic Ram Clamp
350mm 5600051**

Suits Sandvik DD421/i & DD422/i



**SB40 Hydraulic Ram Clamp
500mm 5000175**

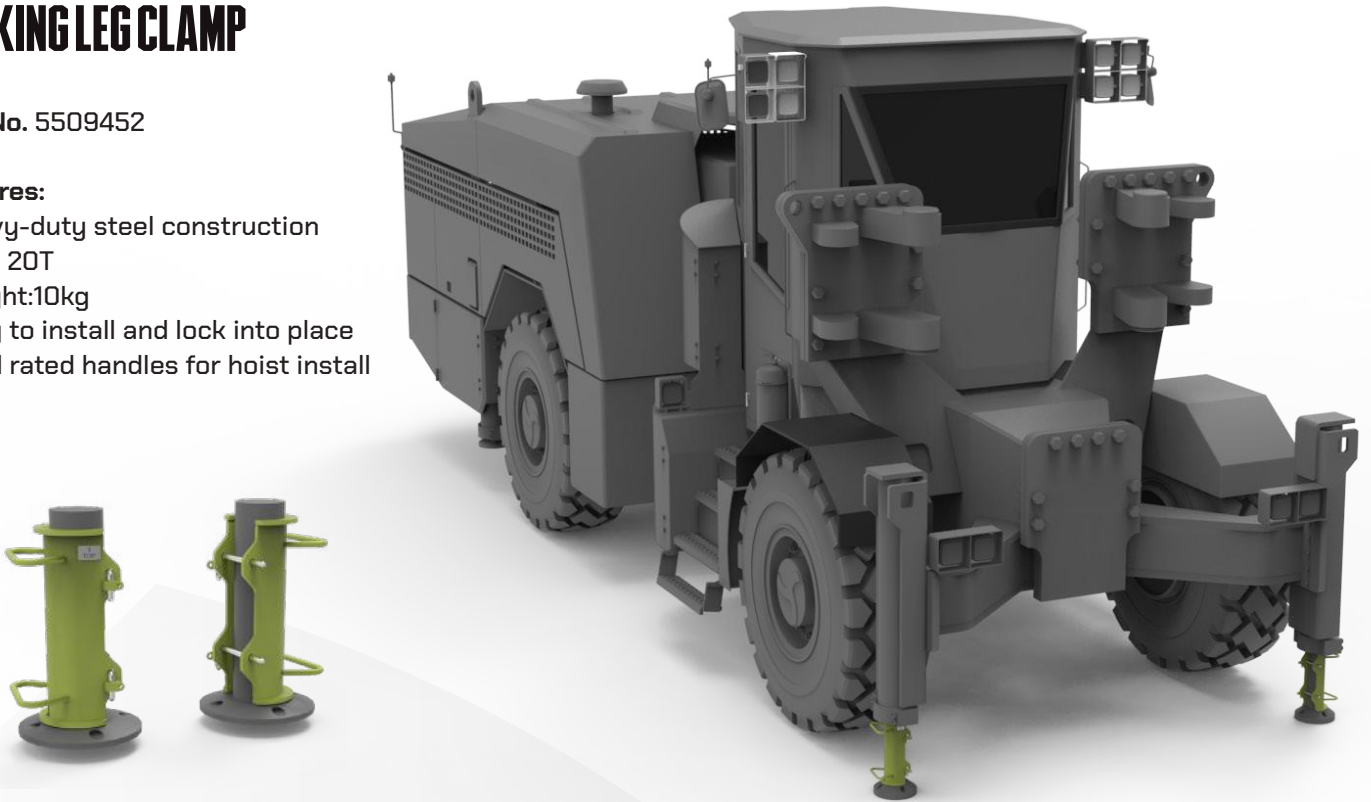
Suits Sandvik DD421/i & DD422/i

SANDVIK JUMBO DRILL JACKING LEG CLAMP

Part No. 5509452

Features:

- Heavy-duty steel construction
- WLL: 20T
- Weight: 10kg
- Easy to install and lock into place
- Load rated handles for hoist install



SANDVIK DD421 WINDSCREEN CHANGEOUT ACCESS PLATFORM

Part No. 5504201

Ideal for windscreen changeout,
maintenance and inspection.

Features:

- Full TIG welded, heavy-duty aluminium
RHS construction
- WLL: 150kg
- Heavy-duty castor wheels
- Self-closing gate
- Removable end handrail
- Forklift slots







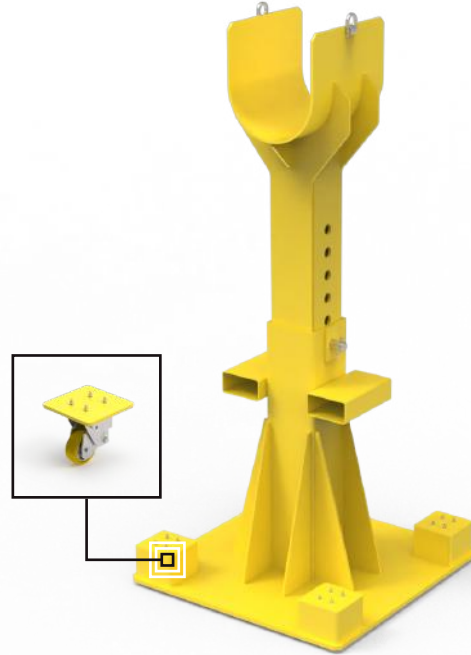
SANDVIK DD421 DRILL ARM STAND

Part No. 5505757

A certified stand which is positioned underneath the DD421 drill arm hydraulic swivel during maintenance to stop rolling when pressure is released.

Features:

- Heavy-duty steel construction
- WLL: 10T
- Fitted with lifting lugs
- Adjustable cradle head
- Y-14 Safety Yellow
- Locking rod
- Forklift slots



SANDVIK DD421 DRILL ARM STAND & WHEELS

Part No. 5507100

A stand which is positioned underneath the DD421 drill arm hydraulic swivel during maintenance to stop rolling when pressure is released. Fitted with heavy-duty wheels for ease of movement.

Features:

- Heavy-duty steel construction
- WLL: 10T
- Fitted with lifting lugs
- Adjustable cradle head
- Y-14 Safety Yellow
- Locking rod
- Forklift slots



SANDVIK DD421 JUMBO DRILL FEED STAND

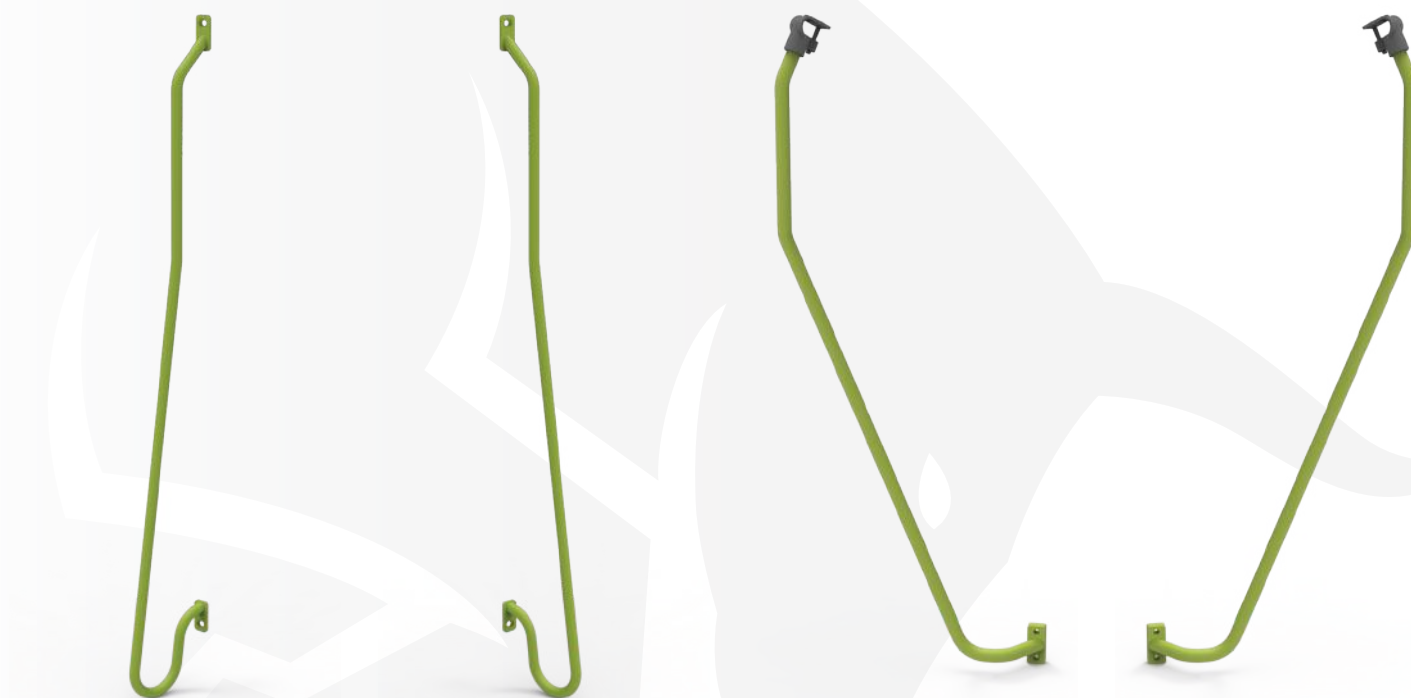
Part No. 5504159

A stand designed for safety and efficiency during jumbo drill feed maintenance. Certified and compliant with Australian Standards

Features:

- Full TIG welded heavy-duty aluminium
- WLL: 2.5T
- Rubber padding on contact surface

SANDVIK
DD432i & DD422i



Cab Handrail LH 5600844
OEM No. BG01153141

Cab Handrail RH 5600837
OEM No. BG01153141

Door Handrail LH
5600845

Door Handrail RH
5600838



**VOLVO
L120F WHEEL LOADER**

ELIMINATING DOWNTIME, MAXIMISING EFFICIENCY.



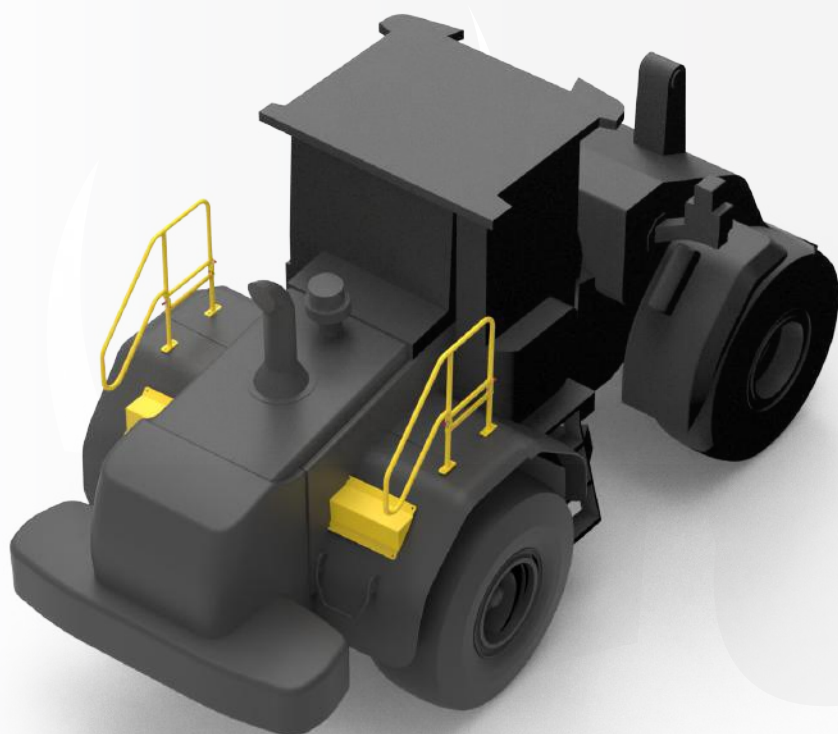
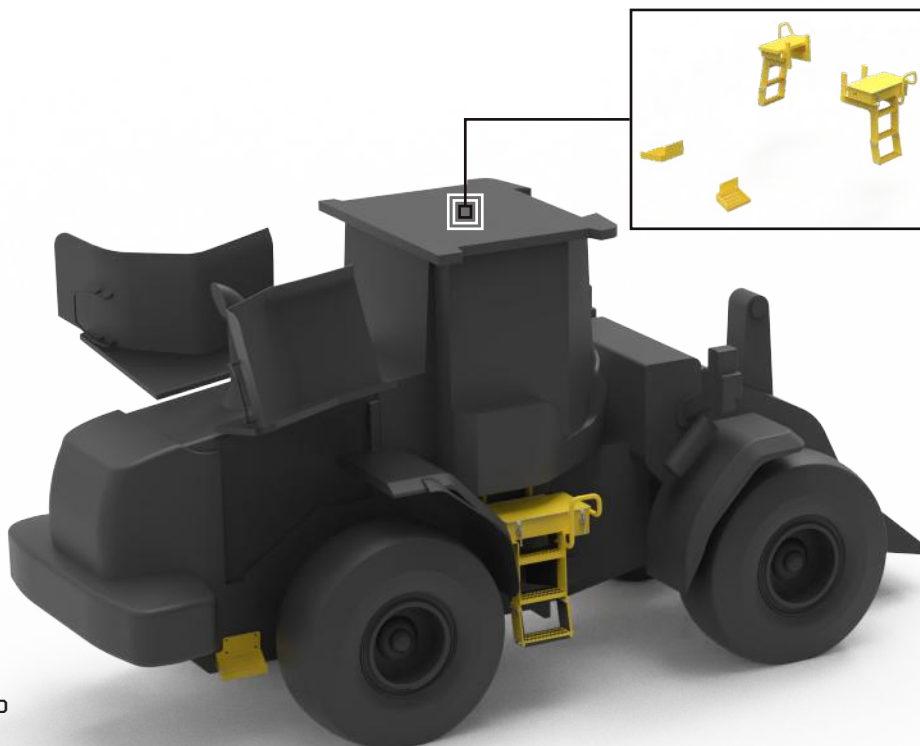
VOLVO L120F ACCESS LADDER & STEP

Part No. 5504998

An OEM replacement access ladder and step designed and engineered to provide safe entry to the Volvo L120F.

Features:

- Full TIG welded, heavy-duty aluminium RHS construction
- Non-slip checkerplate treads
- Full bolt-on mid-folding design
- Hi-spec surface treatment finish in Volvo yellow over a primary zinc coating for enhanced protection



VOLVO L120F MOUNTED HANDRAILS

Part No. 5504271

A comprehensive set of handrails designed and engineered to provide fall protection on the Volvo L120F wheel loader.

Features:

- Full TIG welded, heavy-duty aluminium RHS construction
- Full bolt-on mid-folding design
- Hi-spec surface treatment finish in Volvo yellow over a primary zinc coating for enhanced protection



VOLVO L120F WINDSCREEN CHANGEOUT PLATFORM

Part No. 5504108

An engineered and certified solution which provides safe and efficient access to the windscreen on the Volvo L120F wheel loader. Ideal for windscreen changeout, maintenance or inspection.

Features:

- Full TIG welded, heavy-duty aluminium RHS construction
- WLL: 150kg per platform
- LH & RH platform configuration
- Non-slip serrated grating for deck and stair treads
- Non-slip nosings
- Heavy-duty castor wheels
- Latch system included to attach two platforms
- Self-closing gates

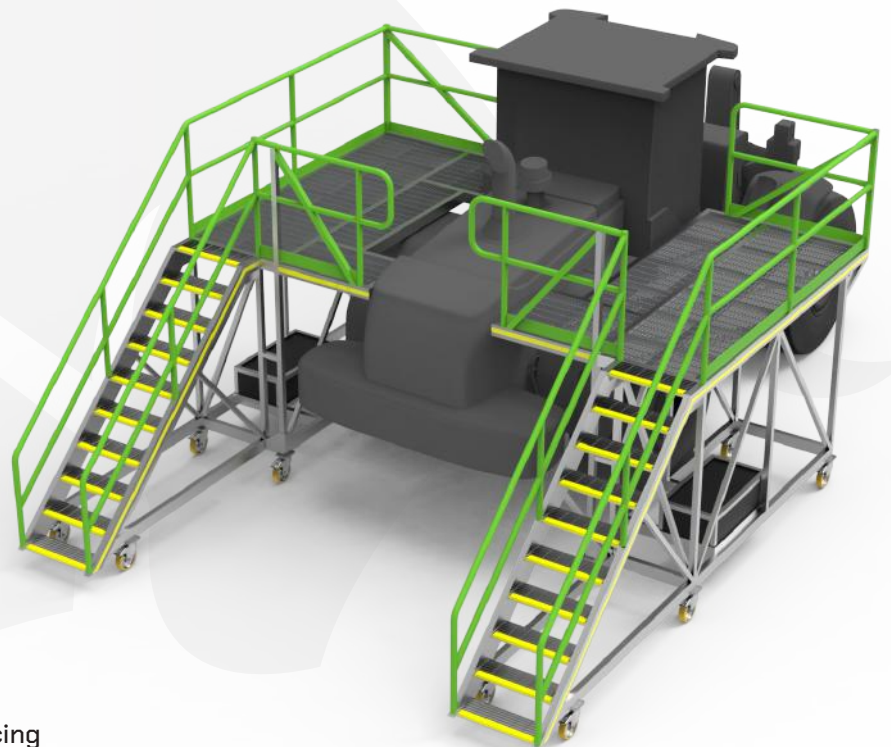
VOLVO L120F ACCESS PLATFORM

Part No. 5501968

A platform set designed and engineered to provide safe and efficient access to the Volvo L120F wheel loader for maintenance and inspection. Certified and compliant with Australian Standards.

Features:

- Full TIG welded, heavy-duty aluminium RHS construction
- WLL: 250kg
- LH & RH platform configuration
- Non-slip stairway and work area
- Safety handrails
- Heavy-duty castor wheels
- Overhangs for easy access
- Easy workshop mobility during loader servicing

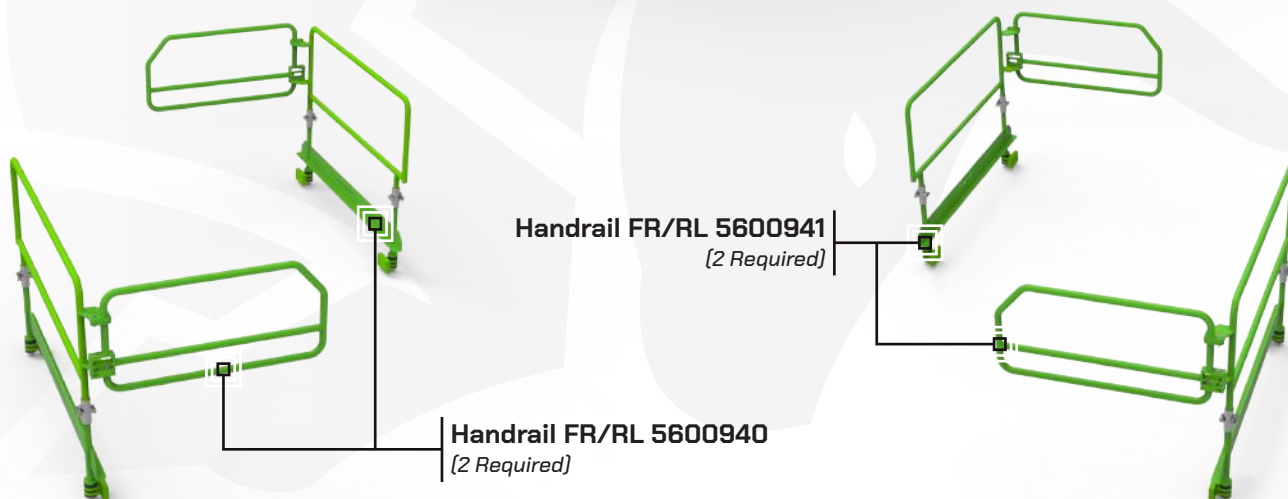
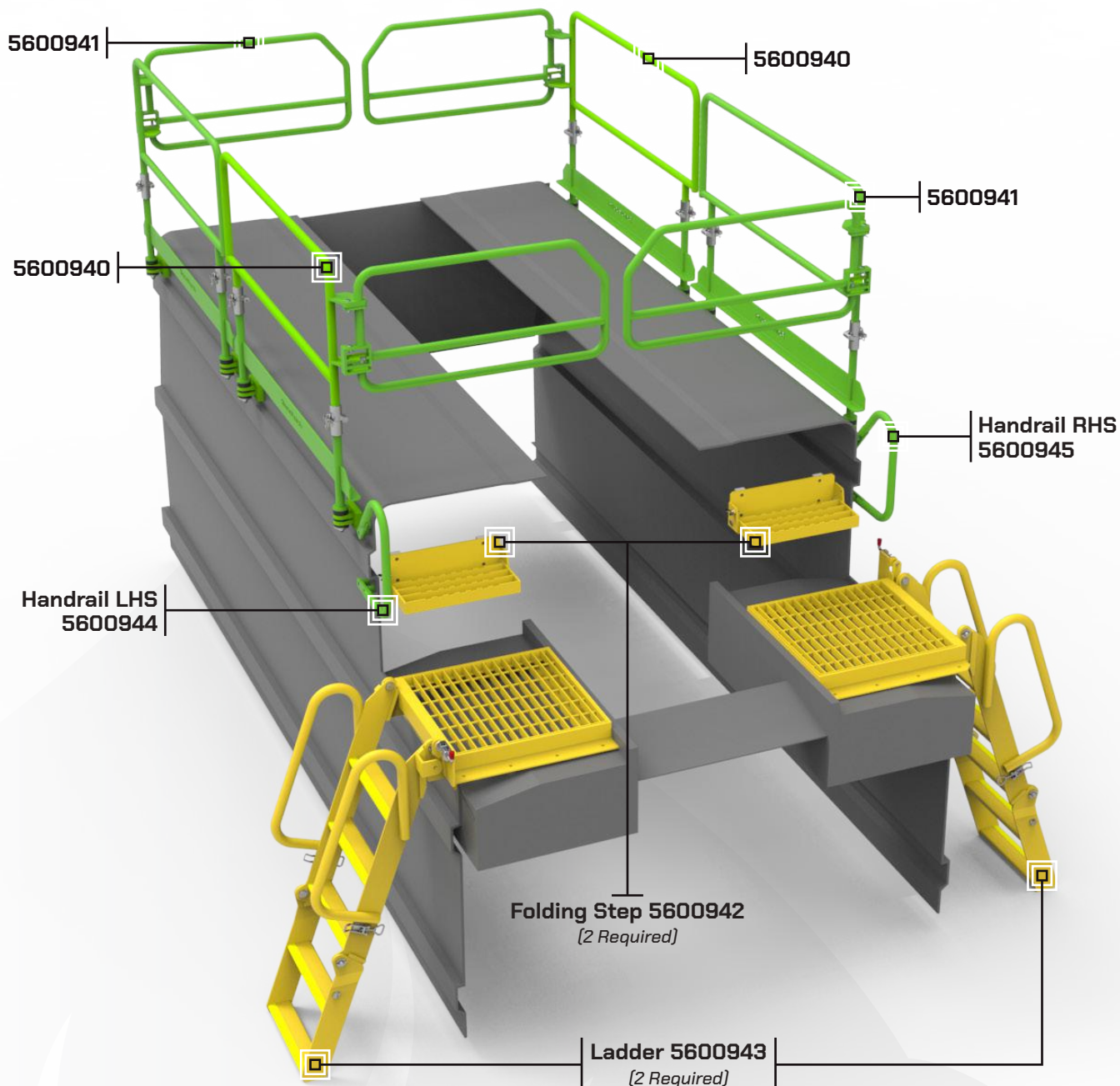


ELPHINSTONE WR810 WATER CANNON



ELIMINATING DOWNTIME, MAXIMISING EFFICIENCY.





ROX

BUILT BETTER 



WEEKLY INSIGHTS INTO ALL THINGS MINING,
BEYOND & THE PERSONALITIES BEHIND THE BRAND.

BREAKING
ROX 



@breakingroxpodcast

Breaking ROX Podcast is dedicated to the ROX Mining Parts brand of the Bend-tech Group.

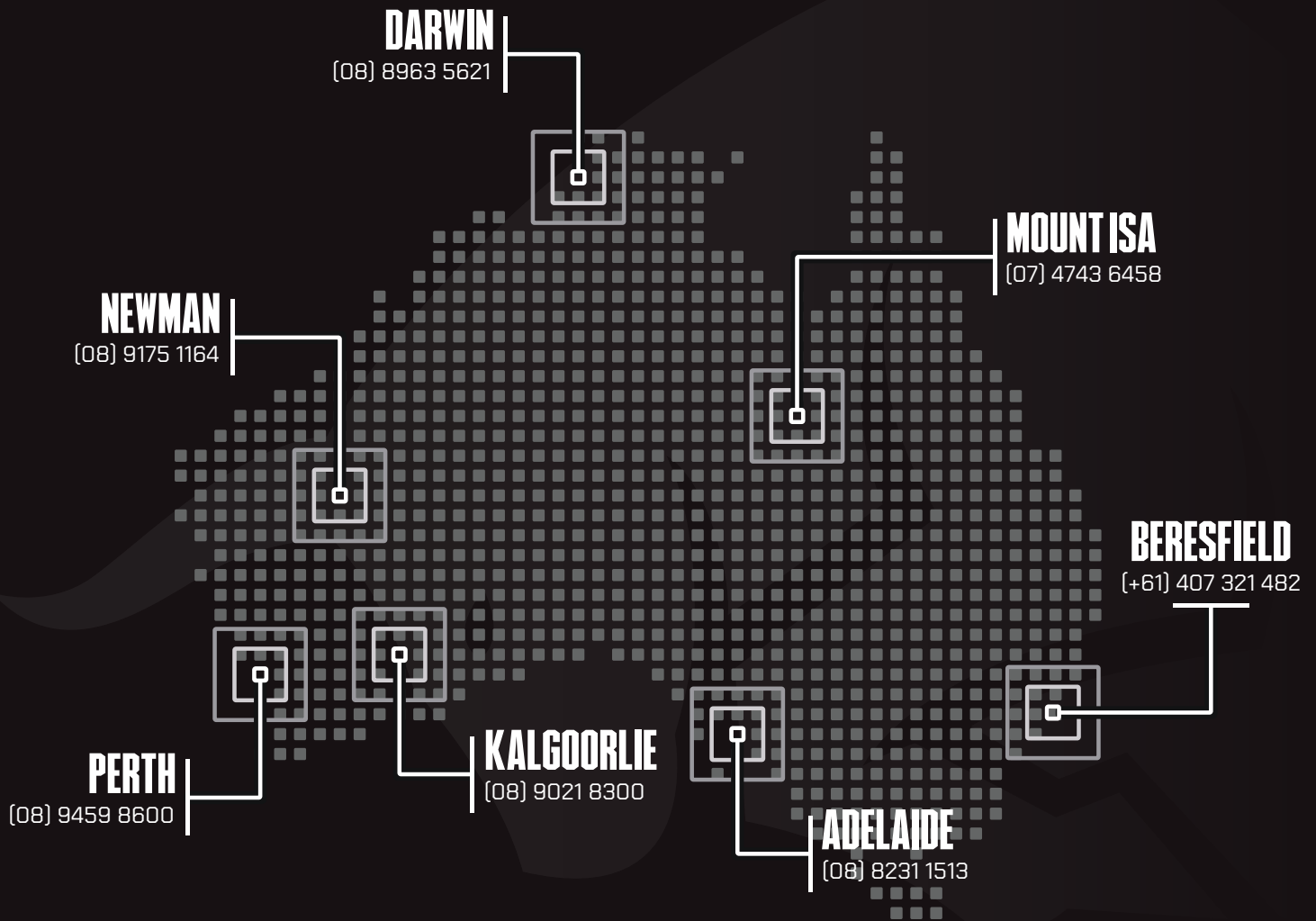
We discuss all things mining, safety, efficiency, downtime and aim to discuss wider related subjects with our guests. We want to dive into thought leadership and give perspective into the issues we see and solve in the mining space.

ELIMINATING DOWNTIME, MAXIMISING EFFICIENCY.

ROX 



ELIMINATING DOWNTIME, MAXIMISING EFFICIENCY.



✉ sales@bendtechgroup.com.au

🌐 bendtechgroup.com.au

