



**ROX**  
MINING PARTS 



---

# UNDERGROUND MACHINE PARTS

2024 ROX Underground Machine Products

Mar. 2024 Release

CAT | Epiroc | Sandvik | Volvo | Elphinstone



 [www.bendtechgroup.com.au](http://www.bendtechgroup.com.au)

**BUILT BETTER** 

# A NEW ERA HAS ARRIVED



## BRAND DNA

ROX Mining Parts is a division of the Bend-tech Group dedicated to the supply of Open cut and Underground machine replacement parts. ROX is committed to eliminating downtime, improving performance, and increasing longevity of parts through innovation. The ROX team has been restructured with customer experience in mind and with dedicated supporting departments such as research and development, engineering, and logistics, the ROX division is poised to transform mining parts supply.

## ROX

A riff on the substrate mobile equipment mine (*Rocks*). Combined with the animal the Aurochs or Ox for its characteristics in defence, agility, and protection.

## AUROCHS / OX

Representing the strengths of the division and the parts we supply the Aurochs is known as an agile, athletic, and strong animal capable of defending themselves against predators such as wolves.

## BRAND STORY

We are excited to introduce our reimagined identity – a transformation born from our unwavering commitment to provide even greater value to our customers and a realisation that our provision of OEM replacement parts division has become much more than just a business unit. Our journey began with a simple idea, and today, that idea is evolving into a brand-new experience that reflects our dedication to innovation, quality, minimising downtime, and customer experience.

## THE ORIGINS

Every great journey has its origins. What has become ROX today started in the late 2000's when we began supplying OEM replacement handrails for Underground machines. This quickly evolved into supplying more handrails, then more parts. Which then evolved into servicing the Open cut machine market, supplying components such as handrails, fenders and guards, platform modules and fuel tanks. Through the years, we've remained dedicated to serving our customers, adapting to their needs, and leveraging new technologies to improve their experience.

## THE VISION

Our new identity is not just a logo or a name – it's a reflection and commitment of our vision for the future. We envision a world where all our customers' required parts are stocked, downtime is eliminated, parts are innovated and improved, and we are the relied upon supplier for mining equipment replacement parts. This vision is the driving force behind every decision we've made in shaping our rebrand.

## THE PROMISE

Our promise to you remains unchanged. Just as we've stood by your side in the past, we will continue to be your trusted partner on this journey of sustained value and minimising downtime. Our commitment to all parts being stocked, downtime eliminated, innovated parts and improved performance, and becoming the relied upon supplier for mining equipment replacement part supply remains steadfast, serving as the bedrock of our rebrand and the road ahead.

## THE EVOLUTION

As time passed, the division continued to grow both in parts and services provided as well as our human resources and supporting divisions such as research and development (R&D). We realised that providing what the industry needs and mitigating customer pain points meant embracing change. Our rebrand is the result of an evolution – a transformational process that has seen us listen to your feedback, learn from our experiences, and begin a journey towards continued innovation to create something even more exceptional.

## THE BENEFITS

Our rebrand isn't just for us – it's for you. We've reimagined our service with you in mind, with the mission of creating an experience that is more streamlined, innovative, and dedicated than ever before. With our new identity, we're poised to elevate your experience and empower you like never before. With a restructured team, more robust R&D, and a new, dedicated website in the works we are poised to deliver the best service in the industry.

## CONCLUSION

In closing, we're excited to embark on this new chapter with you. Our rebrand of our OEM Replacement Parts division is more than a new name, new colours, or new logo – it's a testament to our dedication to continuous improvement, innovation, and growth. Thank you for being a part of our story so far, and we look forward to the exciting journey ahead, hand in hand.


ELIMINATING DOWNTIME,  
MAXIMISING EFFICIENCY.



OUR No. 1 PRIORITY



BUILT BETTER 

 [bendtechgroup.com.au](http://bendtechgroup.com.au)

MISSION:  

TO BE THE RELIED UPON, PREFERRED SUPPLIER FOR  
MINING EQUIPMENT REPLACEMENT PARTS GLOBALLY.



CAT 793F, 785D, 777F & D10T TANKS AVAILABLE

REDUCED LEAD TIME, STOCKED IN WA

GREATER VALUE THAN OEM

DELIVERED IN CERTIFIED TRANSPORT FRAME

FAST-FILL OPTIONS & ARMOUR FLEX COATING AVAILABLE



PERTH  
(08) 9459 8600

ADELAIDE  
(08) 8231 1513


DARWIN  
(08) 8963 5621



KALGOORLIE  
(08) 9021 8300

NEWMAN  
(08) 9175 1164

MOUNTISA  
(07) 4743 6458

 [sales@bendtechgroup.com.au](mailto:sales@bendtechgroup.com.au)

 [bendtechgroup.com.au](http://bendtechgroup.com.au)



OPEN CUT | UNDERGROUND | A DIVISION OF *Bendtech*.

# CONTENTS

## CAT MACHINE PARTS

R1300G Loader	6
R1600G / H Loader	8
R1700G Loader	11
R1700K Loader	20
R2900 / R3000 Loader	25
R2900XE Loader	40
AD30 Truck	44
AD45 Truck	49
AD55 Truck	55
AD60 Truck	61
AD63 Truck	68

## EPIROC MACHINE PARTS

MT2010 Truck	74
MT42 Truck	77
MT 5020 / MT 6020 Truck	80
MT54 / MT65 Truck	86
ST1030 Loader	96
ST14 Loader	99
Boomer M	102
Simba E7 Drill	103





---

**SANDVIK MACHINE PARTS**

LH307 Loader	104
LH514 Loader	107
LH517 Loader	111
LH517i Loader	116
LH621 Loader	127
LH621i Loader	137
TH540 / TH550 Truck	143
TH545i Truck	147
TH551 / 551i Trucks	149
TH663/ 663i Trucks	149
Rhino R100H	159
DL421 Drill	163
DD421 Drill	165
DD432i / DD422i	170

---

**VOLVO MACHINE PARTS**

L120F Wheel Loader	171
--------------------	-----

---

**ELPHINSTONE MACHINE PARTS**

WR810 Water Cannon	174
--------------------	-----

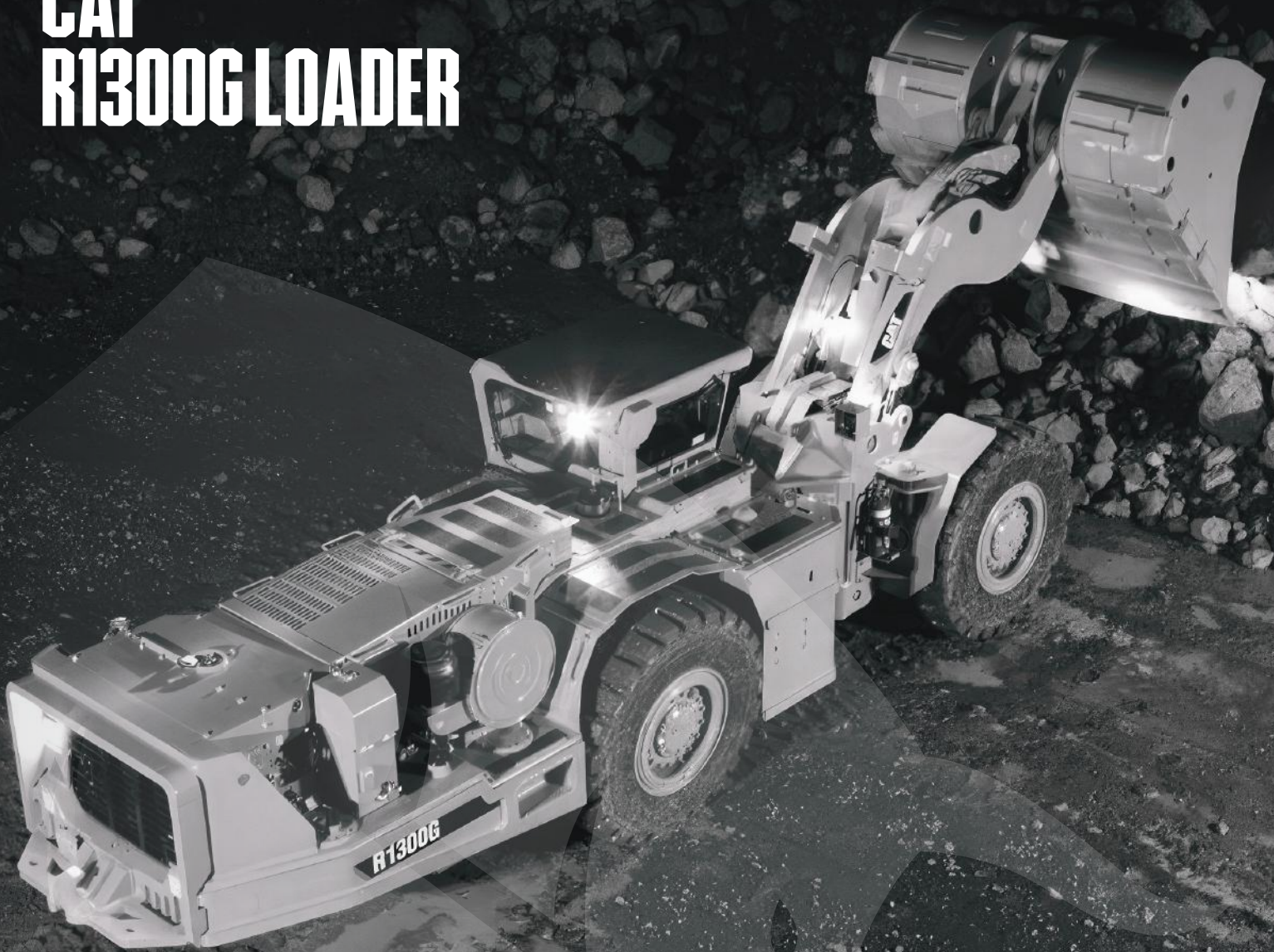


---

**UNDERGROUND MACHINE PARTS**

---

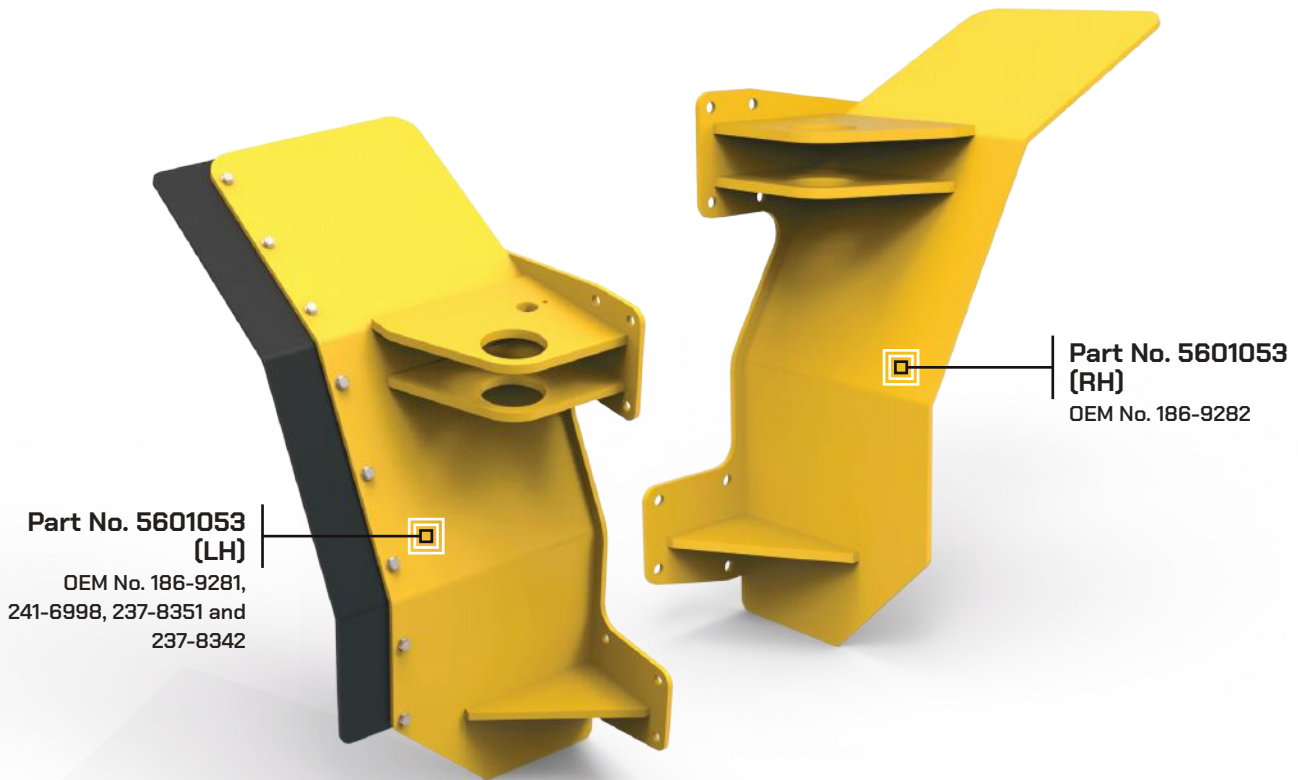
# CAT R1300G LOADER



---

ELIMINATING DOWNTIME, MAXIMISING EFFICIENCY.





**Part No. 5601053  
(LH)**

OEM No. 186-9281,  
241-6998, 237-8351 and  
237-8342

**Part No. 5601053  
(RH)**

OEM No. 186-9282

## CAT R1300G FIXED FRONT FENDERS

Direct OEM replacement for CAT R1300G front fenders.

### Features:

- Heavy-duty steel construction
- Hi-spec surface treatment in CAT Yellow over a primary zinc coating for enhanced protection
- Precision manufactured for fast fit up to your machine
- Protects the wheel and surrounding components

## RECOVERY HOOK

**Part No. 5602282**

Welded to rear to provide tow assistance when required.

### Features:

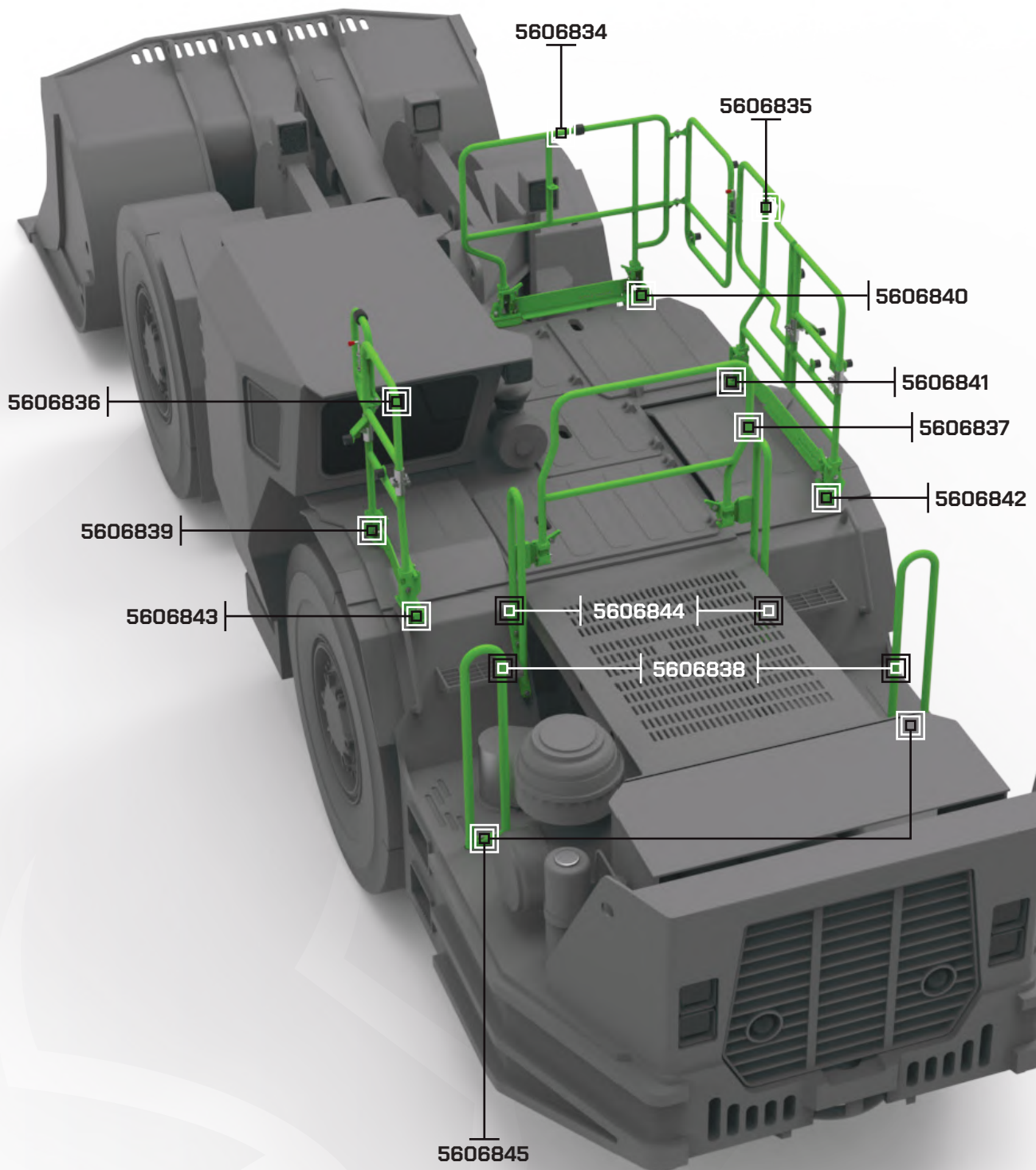
- No paint or powder used for ease of welding/fitment
- Heavy-duty steel construction

CAT  
R1600G/H LOADER

ELIMINATING DOWNTIME, MAXIMISING EFFICIENCY.

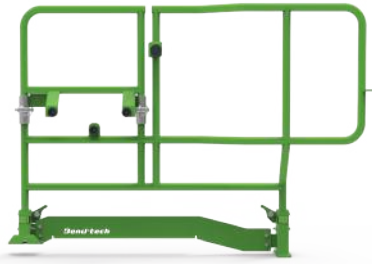








Handrail Front  
Part: 5606834



Handrail RH  
Part: 5606835



Handrail LH  
Part: 5606836



Handrail Middle  
Part: 5606837



Handrail RH Rear *[2 Required]*  
Part: 5606838



Mount Plate 1 *[2 Required]*  
Part: 5606839



Mount Plate 2 *[1 Required]*  
Part: 5606840



Mount Plate 3 *[1 Required]*  
Part: 5606841



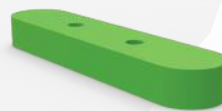
Mount Plate 4 *[1 Required]*  
Part: 5606842



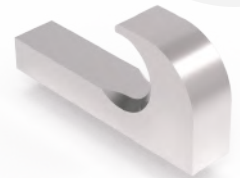
Mount Plate 5 *[1 Req.]*  
Part: 5606843



Mount Plate 6 *[2 Req.]*  
Part: 5606844



Mount Plate 7 *[2 Req.]*  
Part: 5606845



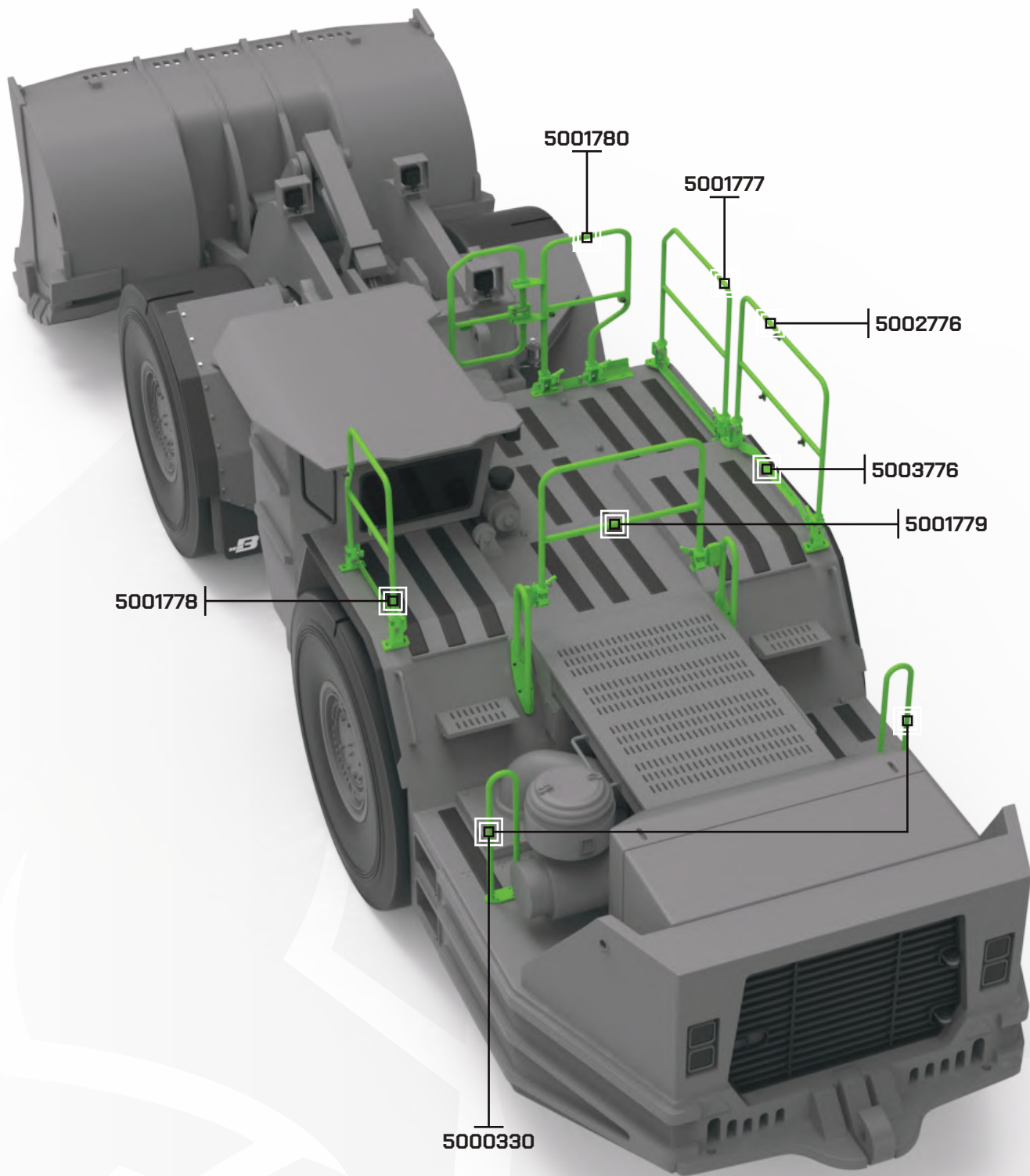
Recovery Hook 5602282  
Easy welding/fitment

**CAT  
R1700G LOADER**



**ELIMINATING DOWNTIME, MAXIMISING EFFICIENCY.**







**Handrail 5001777**

OEM No. 453-8707 (OLD 318-7892)



**Handrail 5002776**

OEM No. 453-8708 (OLD 318-7901)



**Handrail 5001778**

OEM No. 453-8698 (OLD 318-7896)



**Handrail 5001779** *(Mounts Included)*

OEM No. 453-8709 (OLD 318-7885)



**Handrail 5001780**

OEM No. 453-8706 (OLD 318-7853)



**Handrail 5000330** *(2 Required)*

OEM No. 230-9812



**Handrail 5003776**

OEM No. 311-5486

## CAT R1700G HANDRAIL STORAGE RACK

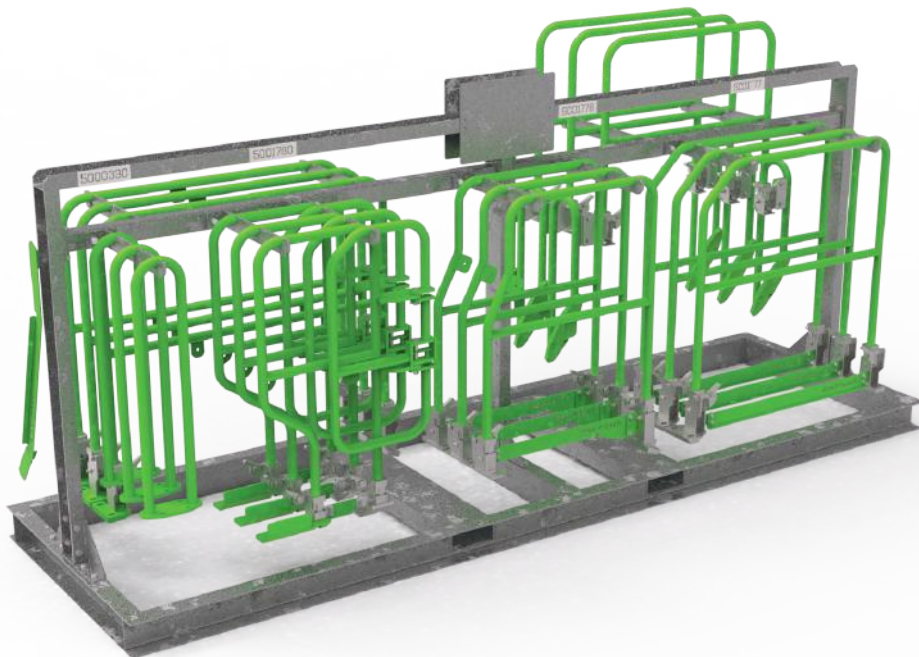
Part No. 5504255

Suits Bend-tech's OEM replacement handrails. Certified and compliant with Australian Standards.

This handrail storage rack allows sites to access replacement handrails quickly and easily, without waiting for freight.

### Features:

- Heavy-duty steel construction
- Heavy-duty hot dip galvanised finish
- All required signage incorporated
- Rack capacity: 3 complete sets
- Forklift slots
- Handrails not included



### Includes:

- Carabiners
- Tether point
- Retractable fall arrest block



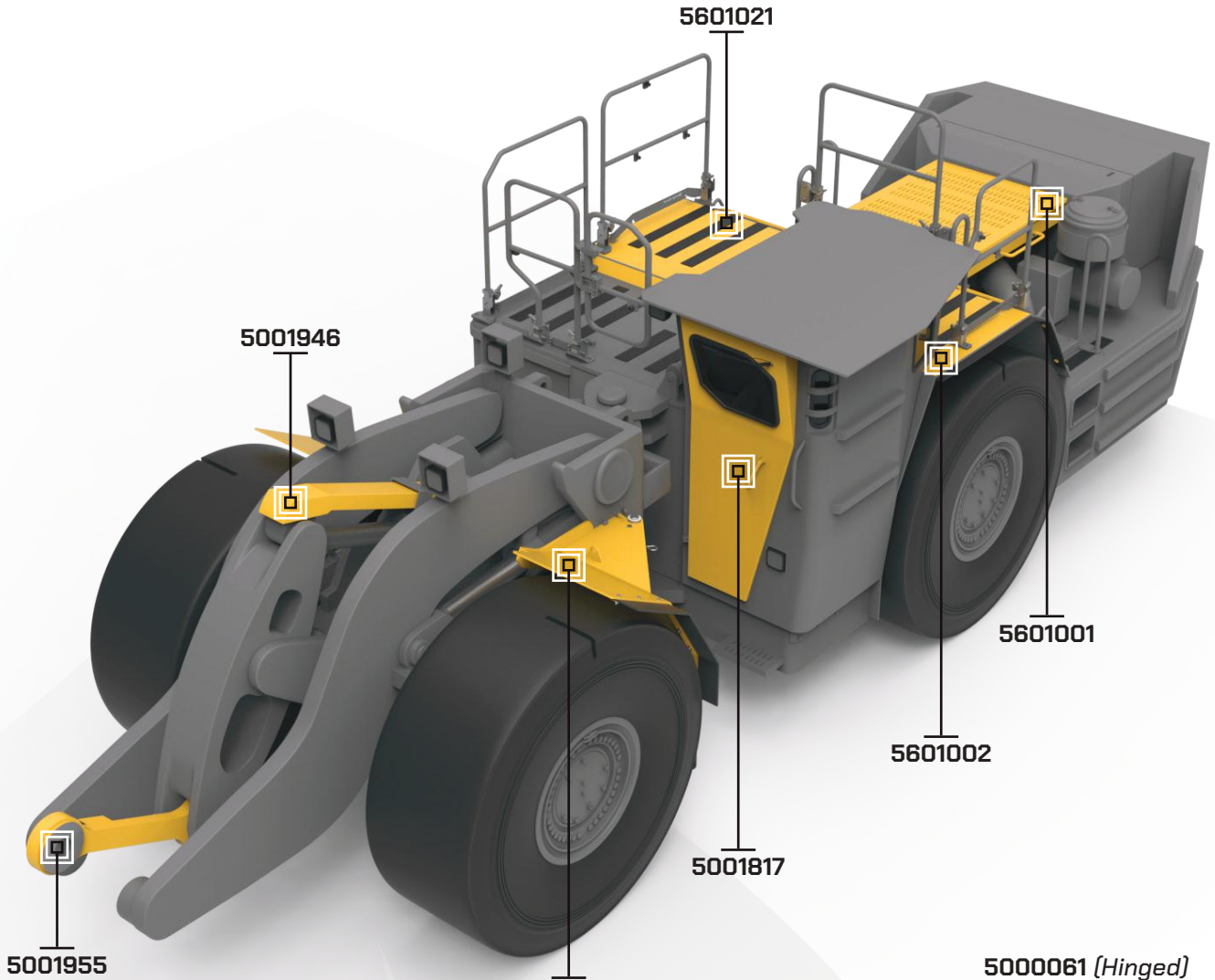
## CAT R1700G FALL ARRESTOR TETHER KIT

Part No. 5504908

A solution to provide operators/fitters with a tethering kit which they could lock onto, while erecting the handrails on the machine.

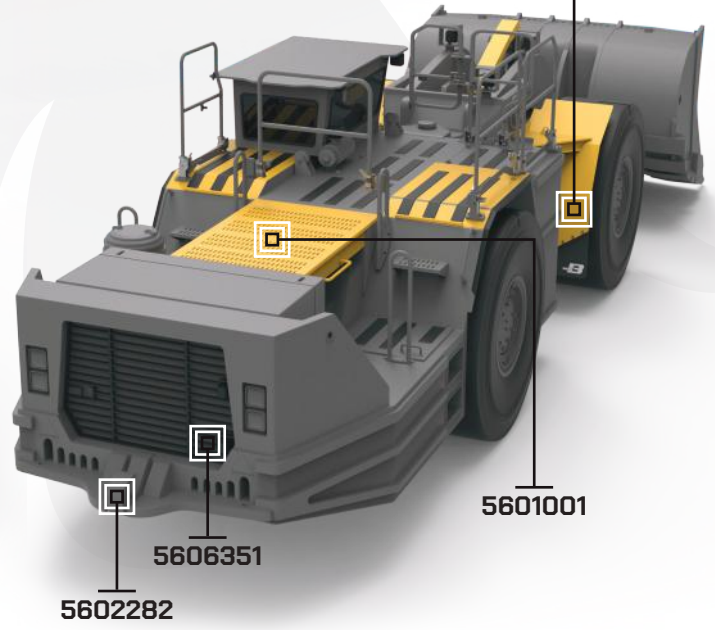
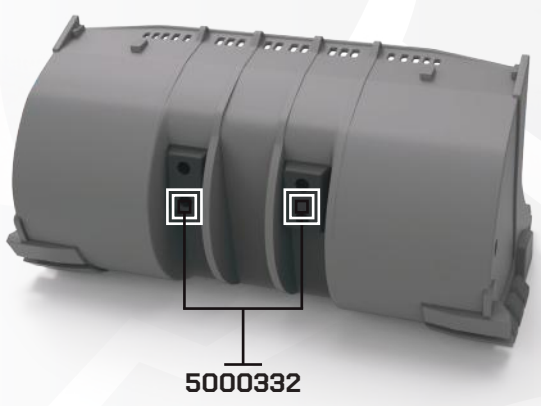
### Features:

- Tether kit is pre-rated to arrest the fall of an operator.
- Tether mechanism locks when sudden movement is detected (e.g. losing balance), preventing tripping and/or falling from machine.
- Uses existing bolts/fittings on the roof and engineered and certified brackets for retractable fall arrest tethers to attach to.



5000062 (Hinged)  
5600174 (Fixed)

5000061 (Hinged)  
5600173 (Fixed)



---

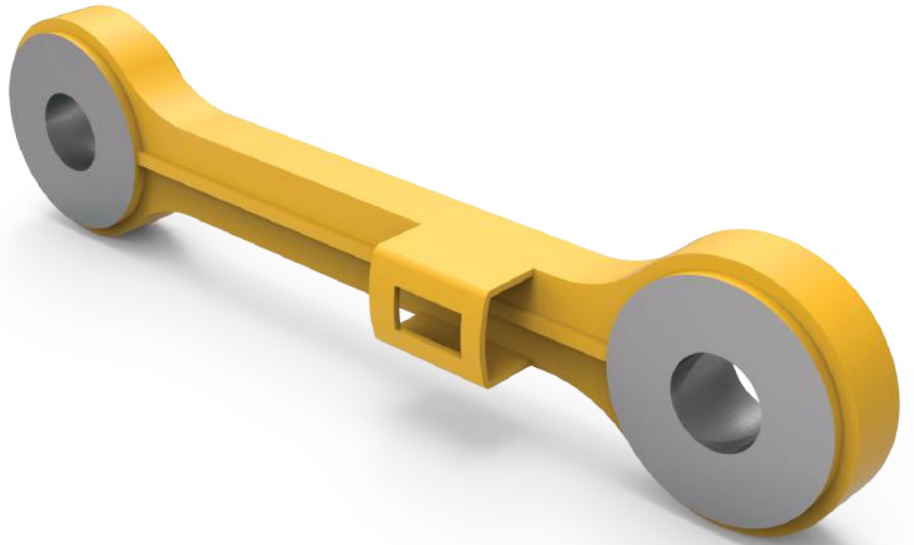
**CAT R1700G  
DOG BONE / TILT LINK**

**Part No.** 5001955

ROX's dog bone components are precision manufactured and machined from high tensile steel, with hardened and ground bushes. Replaces OEM No. 186-9866.

**Features:**

- Grease channel machined into the dog bone body
- Direct OEM replacement
- Supplied in enclosed transport crate
- Supplied with seals and bushes



---

**CAT R1700G  
DOOR**

**Part No.** 5001817

To suit CAT R1700G Machines.  
Replaces OEM No. 291-0662

**Features:**

- Heavy duty construction
- Precision manufactured for fast fit up to your machine



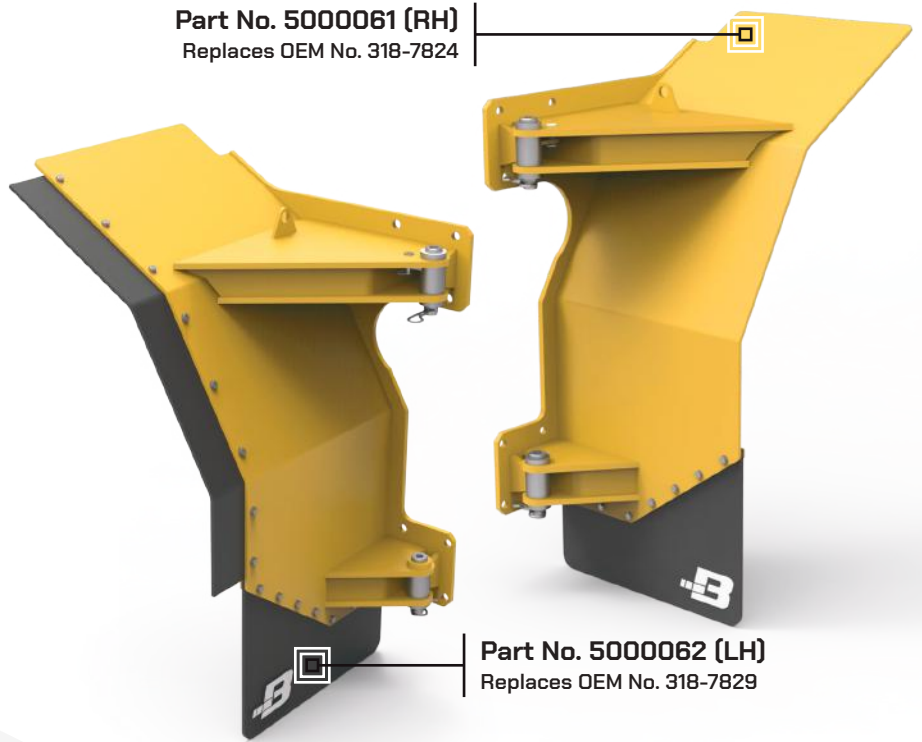
**CAT R1700G  
HINGED FENDERS**

Part No. 5000061 (RH) / 5000062 (LH)

Made to suit CAT R1700G Loaders, our fender acts as a wheel guard and is designed to withstand the harshest underground mining environments.

**Features:**

- Heavy duty hinged folding system
- Double pin design to eliminate sagging
- Eliminates requirement to remove fender access components positioned behind the fender Tilt Link
- Suitable for use with tyre chains



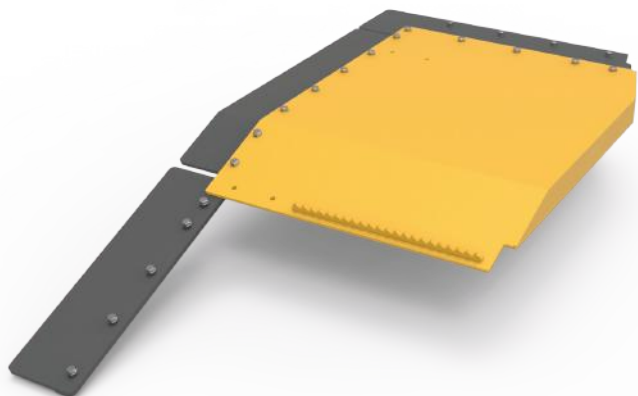
**CAT R1700G  
FIXED FENDERS**

Part No. 5600173 (RH) / 5600174 (LH)

Direct OEM replacement for CAT R1700G Fenders.

**Features:**

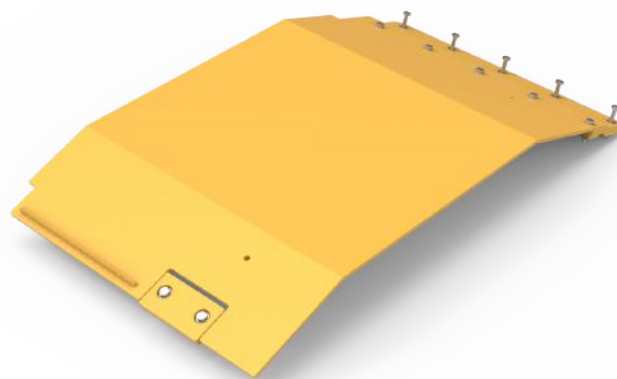
- Heavy duty steel construction
- Hi-spec surface treatment in CAT Yellow over a primary zinc coating for enhanced protection
- Precision manufactured for fast fit up to your machine
- Protects the wheel and surrounding components



**CAT R1700G REAR FENDER LH**

Part No. 5601021

OEM No. 307-1038, 307-0988



**CAT R1700G REAR FENDER RH**

Part No. 5601002

OEM No. 307-1038, 307-0989

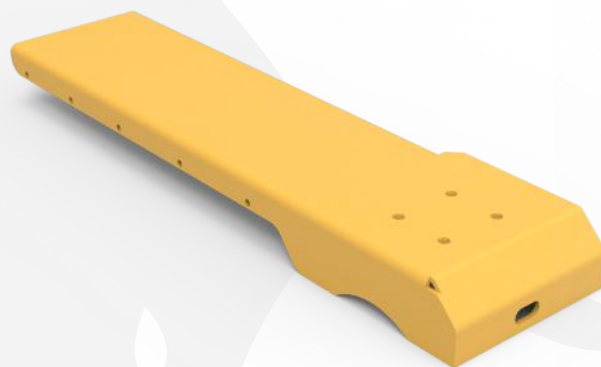


**CAT R1700G REAR DECK HOOD**

Part No. 5601001

OEM No. 284-6132

• Includes mount (OEM No. 291-2291)



**CAT R1700G TILT CYLINDER GUARD**

Part No. 5001946

OEM No. 199-5816

---

**CAT R1700G REAR RADIATOR GRILLE**

Part No. 5606351

OEM No. 291-6362

Direct OEM replacement for CAT R1700G  
Rear Radiator Grille.

**Features:**

- Includes locking pin latch and hinges



---

**RECOVERY HOOK**

Part No. 5602282

Welded to rear to provide tow assistance when required.

**Features:**

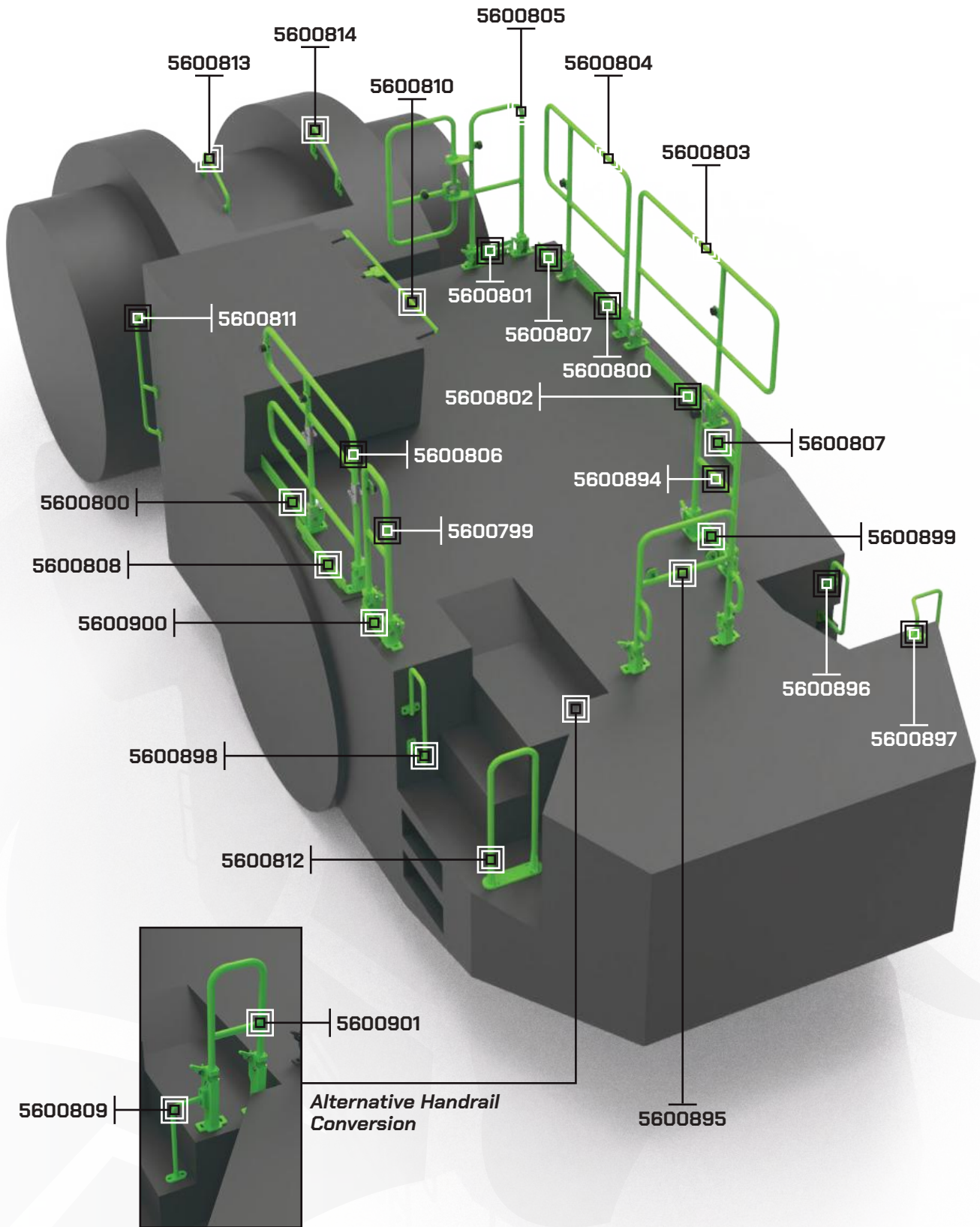
- No paint or powder used for ease of welding/fitment
- Heavy-duty steel construction

**CAT  
R1700K LOADER**



**ELIMINATING DOWNTIME, MAXIMISING EFFICIENCY.**







**Handrail 5600803**

OEM No. 490-1803



**Handrail 5600804**

OEM No. 490-1922



**Handrail 5600805**

OEM No. 490-1943



**Handrail 5600806**

OEM No. 490-1956



**Handrail 5600799**

OEM No. 490-6166



**Handrail 5600810**

OEM No. 485-2326



**Handrail 5600811**

OEM No. 485-2333



**Handrail 5600894**

OEM No. 490-1932



**Handrail 5600895**

OEM No. 490-1974



**Grabrail 5600812**

OEM No. 492-3186



**Grabrail 5600813**

OEM No. 522-3441



**Grabrail 5600814**

OEM No. 522-0713



**Grabrail 5600818**  
OEM No. 485-2334



**Grabrail 5600896**  
OEM No. 490-7000



**Grabrail 5600897**  
OEM No. 490-7004



**Grabrail 5600898**  
OEM No. 492-3184



**Kickplate 5600800** *[2 Required]*  
OEM No. 489-9199



**Kickplate 5600801**  
OEM No. 490-1955



**Kickplate 5600802**  
OEM No. 490-1982



**Kickplate 5600807** *[2 Req]*  
OEM No. 490-1984



**Kickplate 5600808**  
OEM No. 552-8478



**Handrail 5600809**  
OEM No. 522-8184



**Kickplate 5600899**  
OEM No. 552-8398



**Kickplate 5600900**  
OEM No. 552-9744



**Handrail 5600901**  
OEM No. 551-0868



**Recovery Hook 5602282**

Part No. 5601033 (RH)  
OEM No. 488-2514



Part No. 5601034 (LH)  
OEM No. 489-8999

## CAT R1700K FIXED FENDERS

Part No. 5601033 (RH) / 5601034 (LH)

Direct OEM replacement for CAT R1700K Fenders.

### Features:

- Heavy duty steel construction
- Hi-spec surface treatment in CAT Yellow over a primary zinc coating for enhanced protection
- Precision manufactured for fast fit up to your machine
- Protects the wheel and surrounding components
- Supplied with mud flaps

## CAT R1700K RADIATOR GRILLE

Part No. 5601003

OEM No. 484-1610 and 467-1784

Direct OEM replacement for CAT R1700K Radiator Grille.

### Features:

- Includes locking pin latch and hinges



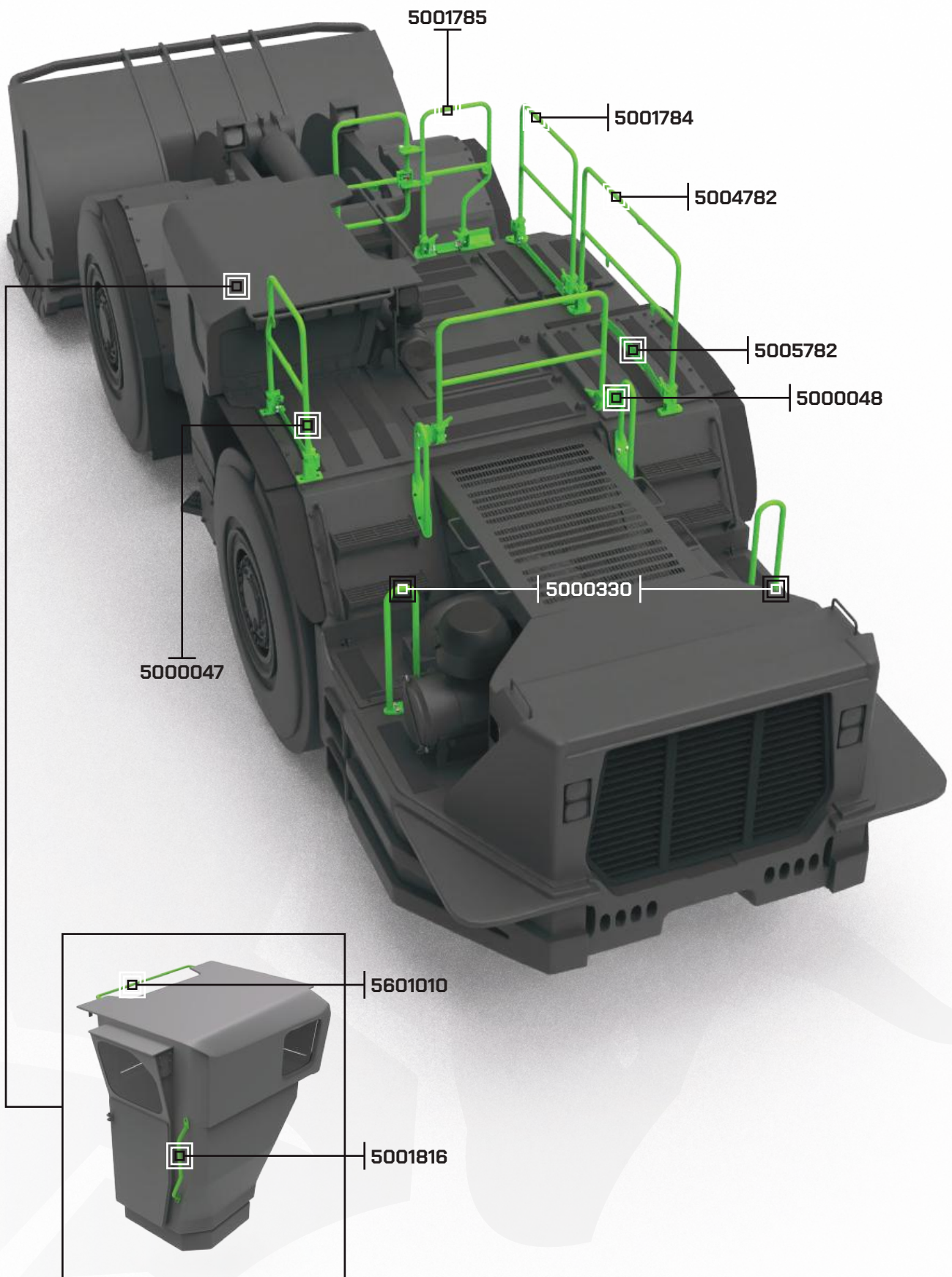


CAT  
R2900G / R3000H LOADER



ELIMINATING DOWNTIME, MAXIMISING EFFICIENCY.







**Handrail 5004782**

OEM No. 453-8703 (OLD 321-4739)



**Handrail 5000047**

OEM No. 453-8705 (OLD 321-4745)



**Handrail 5000048** *(Inc. Mounts)*

OEM No. 453-8704 (OLD 321-4753)



**Handrail 5001784**

OEM No. 453-8702 (OLD 321-4758)



**Handrail 5001785**

OEM No. 453-8701 (OLD 321-4767)



**Handrail 5000048M** *(Inc. Mounts)*

Accommodates RCT Camera



**Cab Handrail 5001816**

OEM No. 250-0931



**Handrail 5000330** *(2 Required)*

OEM No. 230-9812



**Kickplate 5005782**

OEM No. 321-4764



**Cab Handrail 5601010**

OEM No. 250-0929

## CAT R2900G / 3000H HANDRAIL STORAGE RACK

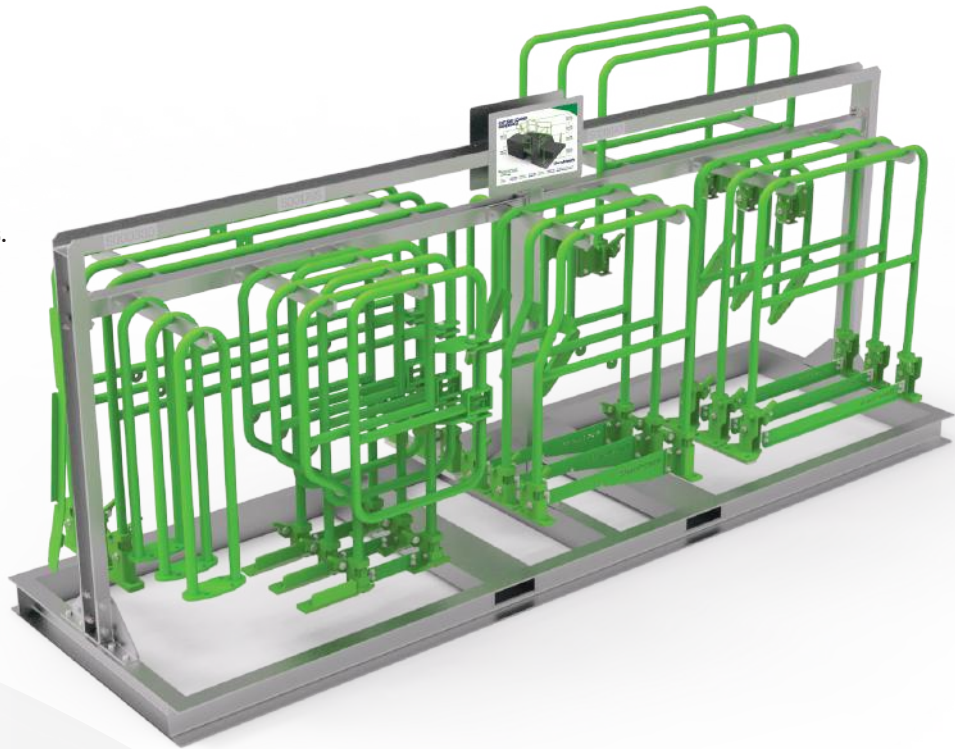
Part No. 5502944

Suits ROX's OEM replacement handrails. Certified and compliant with Australian Standards.

This handrail storage rack allows sites to access replacement handrails quickly and easily, without waiting for freight.

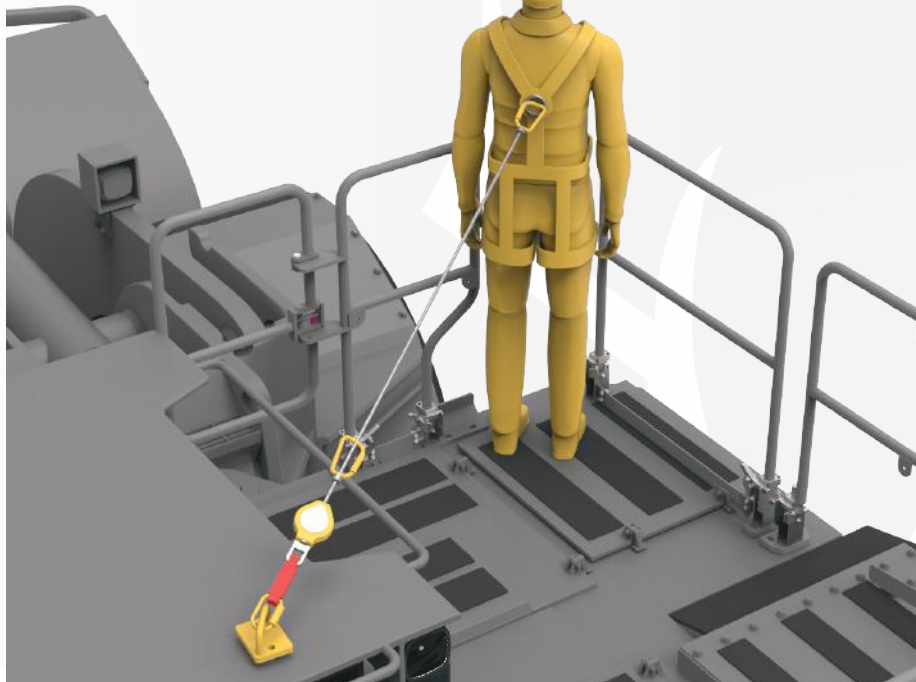
### Features:

- Heavy duty steel construction
- Heavy-duty hot dip galvanised finish
- All required signage incorporated
- Rack capacity: 3 complete sets
- Forklift slots
- Handrails not included



### Includes:

- Carabiners
- Tether point
- Retractable fall arrest block



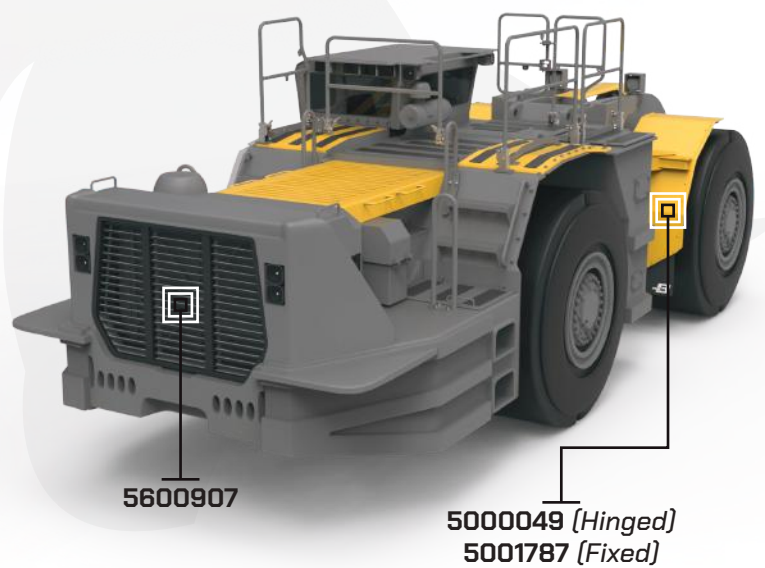
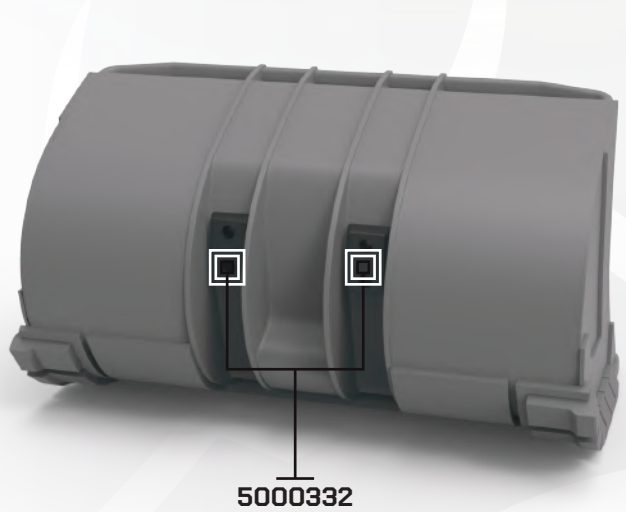
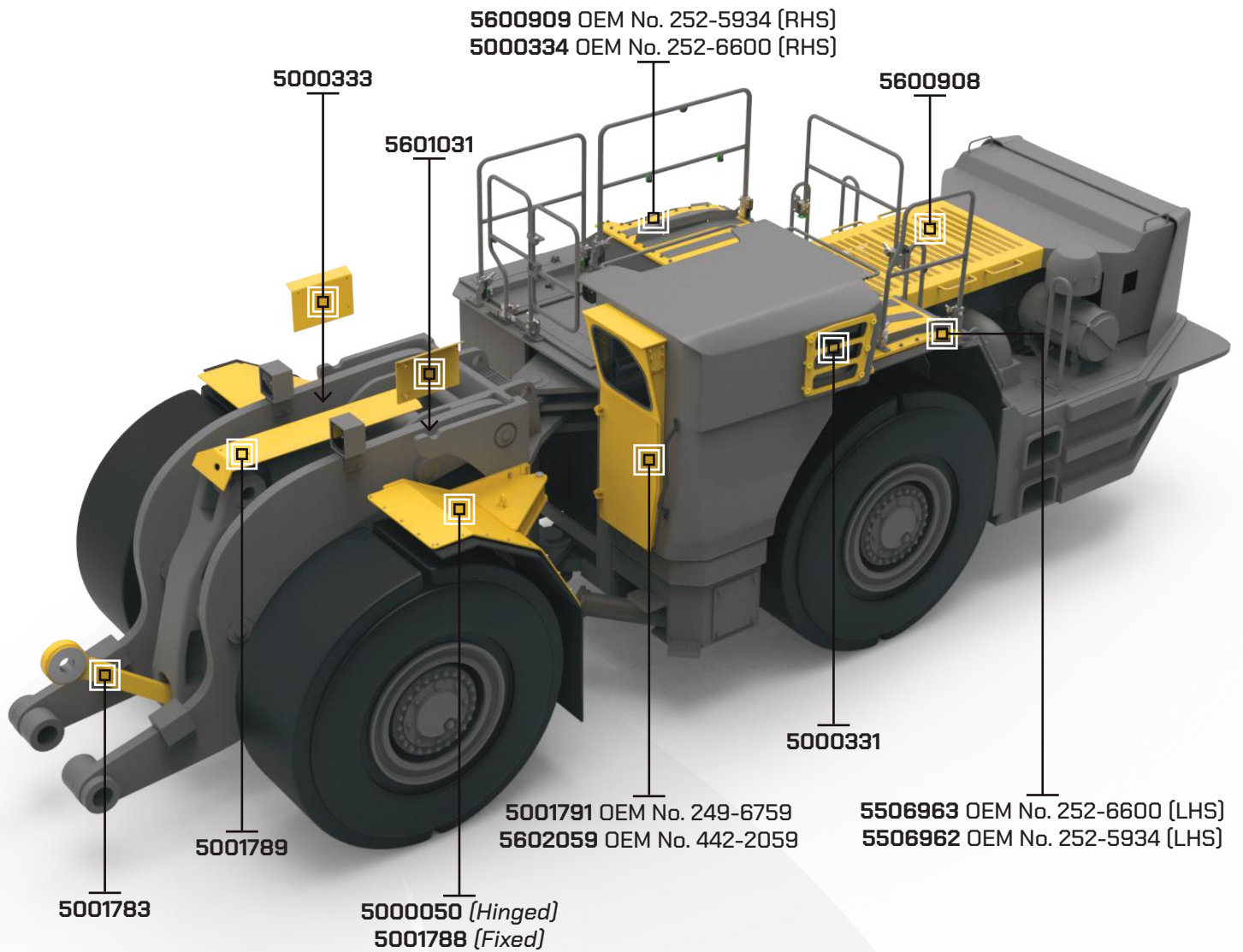
## CAT R2900G / 3000H FALL ARRESTOR TETHER KIT

Part No. 5504911

A solution to provide operators/fitters with a tethering kit which they could lock onto, while erecting the handrails on the machine.

### Features:

- Tether kit is pre-rated to arrest the fall of an operator.
- Tether mechanism locks when sudden movement is detected (e.g. losing balance), preventing tripping and/or falling from machine.
- Uses existing bolts/fittings on the roof and engineered and certified brackets for retractable fall arrest tethers to attach to.



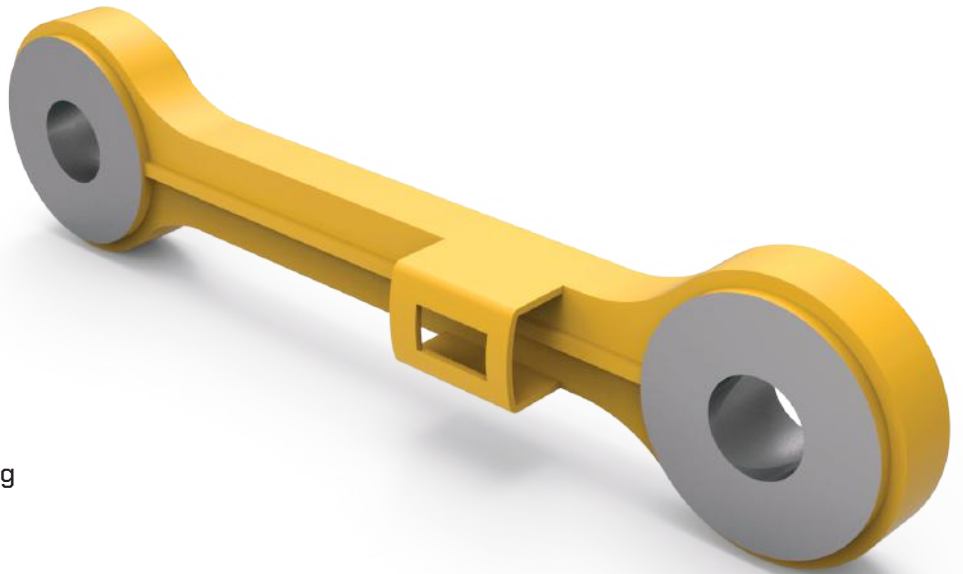
## CAT R2900G / 3000H DOG BONE / TILT LINK

Part No. 5001783

RDX's dog bone components are precision manufactured and machined from high tensile steel, with hardened and ground bushes. Replaces OEM No. 186-9869.

**Features:**

- Grease channel machined into the dog bone body
- Supplied in enclosed transport crate
- Supplied with seals and bushes



## CAT R2900G / 3000H DOG BONE / TILT LINK TRANSPORT & STORAGE FRAME

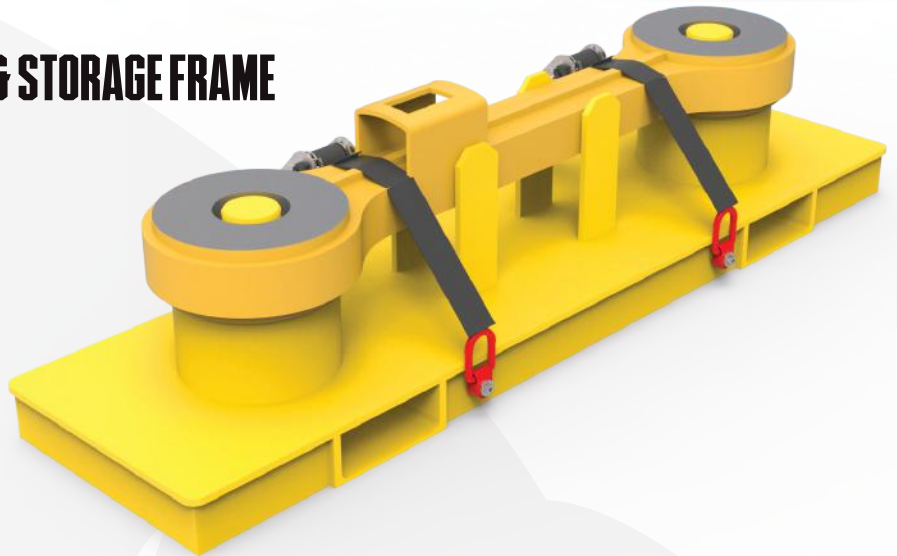
Part No. 5504125

For the transport and storage of the CAT R2900 / 3000 dog bone.

WLL: 200kg

**Features:**

- Heavy duty steel construction
- Includes ratchet tie-downs
- Tie-down points
- Forklift slots



## TOP TAILSHAFT GUARD

Part No. 5001948

OEM No. 248-5139



## BOTTOM TAILSHAFT GUARD

Part No. 5001947

OEM No. 248-5140

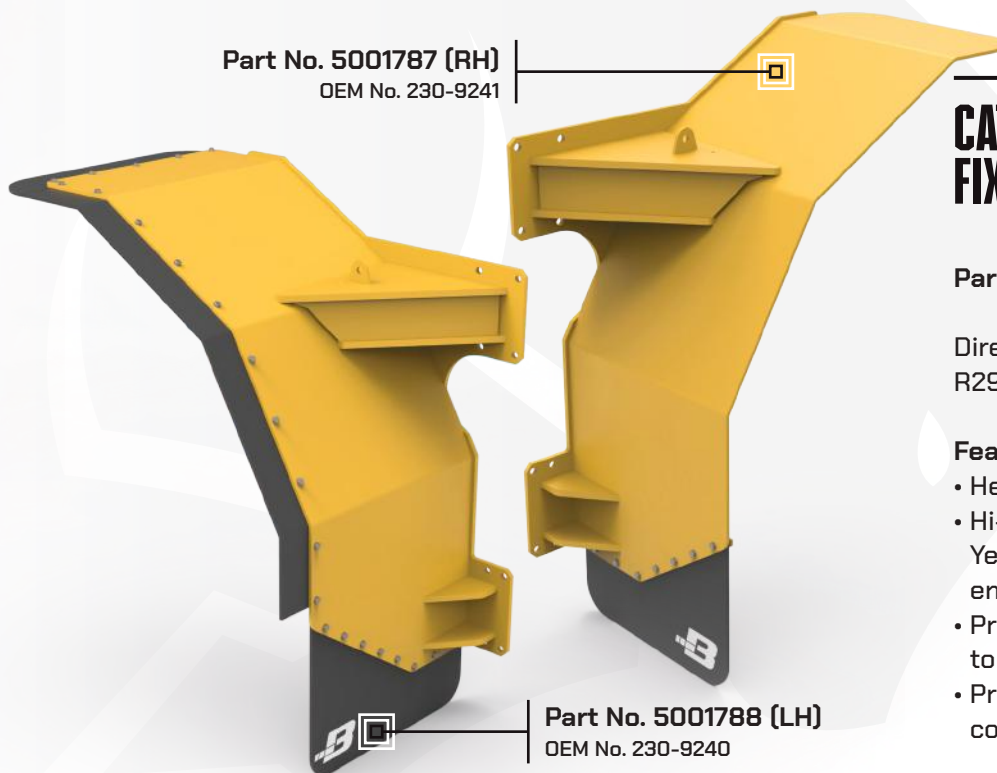
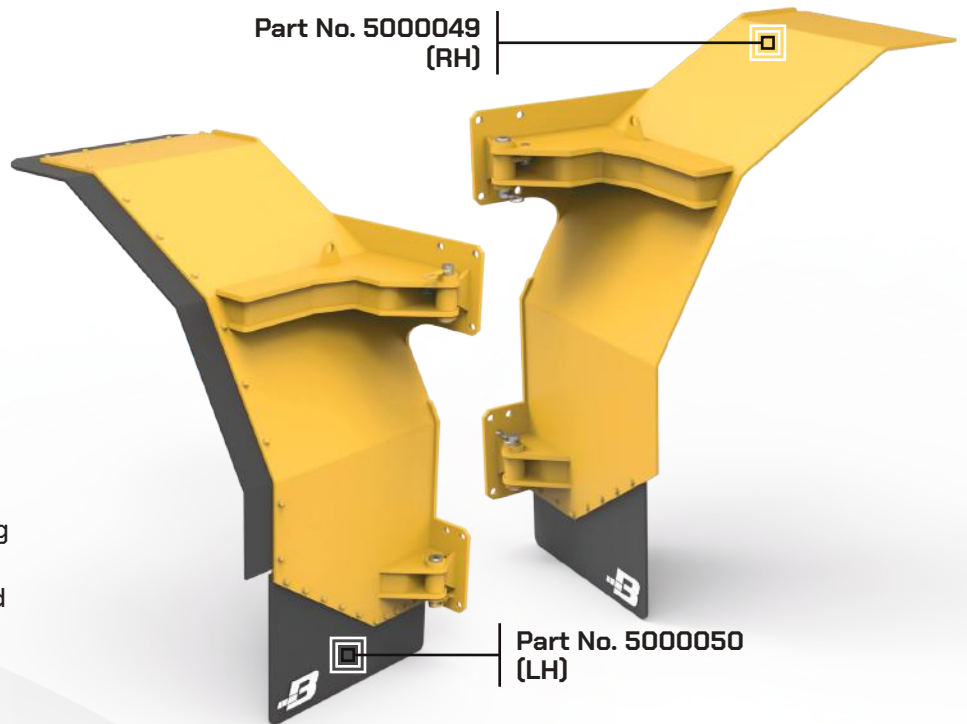
**CAT R2900G  
HINGED FENDERS**

Part No. 5000049 (RH) / 5000050 (LH)

Made to suit CAT R2900G Loaders, our fender acts as a wheel guard and is designed to withstand the harshest underground mining environments.

**Features:**

- Heavy duty hinged folding system
- Double pin design to eliminate sagging
- Eliminates requirement to remove fender access components positioned behind the fender Tilt Link
- Stainless pins with greasing points
- Suitable for use with tyre chains



**CAT R2900G  
FIXED FENDERS**

Part No. 5001787 (RH) / 5001788 (LH)

Direct OEM replacement for CAT R2900G fixed fenders.

**Features:**

- Heavy-duty steel construction
- Hi-spec surface treatment in CAT Yellow over a primary zinc coating for enhanced protection
- Precision manufactured for fast fit up to your machine
- Protects the wheel and surrounding components



**CAT R2900G / R3000H NARROW REAR FENDER ASSEMBLY LH**

Part No. 5506963

OEM No. 252-6600, 230-4739



**CAT R2900G / R3000H NARROW REAR NARROW REAR FENDER ASSEMBLY RH**

Part No. 5000334

OEM No. 252-6600, 252-6599



**CAT R2900G / R3000H WIDE REAR FENDER ASSMBLY LH**

Part No. 5506962

OEM No. 252-5934, 252-5933



**CAT R2900G / R3000H WIDE REAR FENDER ASSEMBLY RH**

Part No. 5600909

OEM No. 252-5934, 248-4289



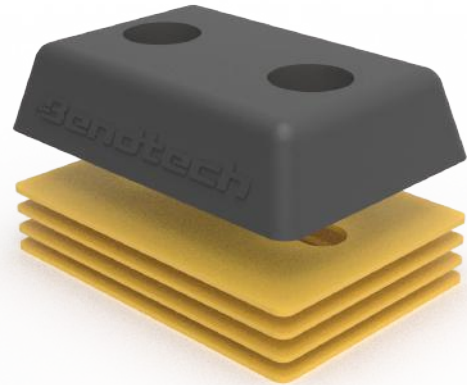


**CAT R2900G / R3000H  
REAR RADIATOR GRILLE**

Part No. 5600907

OEM No. 264-8350

- Includes locking pin latch and hinges



**BUCKET BUMPER KIT**

Part No. 5000332

OEM No. 233-0734

- Kit includes: 1 x bucket bumper  
2 x 2mm shim [OEM No. 233-0736]  
2 x 3mm shim [OEM No. 233-0735]



**CAT R2900G / R3000H REAR DECK HOOD**

Part No. 5600908

OEM No. 248-5160

Direct OEM replacement for CAT R2900G & R3000H Rear Deck Hood.

**Features:**

- Includes mount [OEM No. 501-4874]
- Includes 2 x gas struts



**CAT R2900 / R2900G  
CYLINDER GUARD**

Part No. 5001789

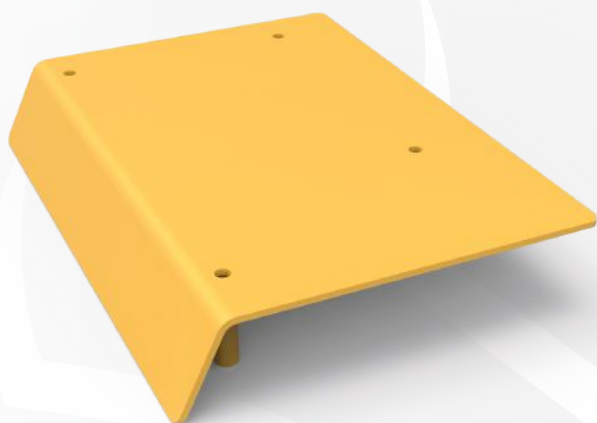
OEM No. 217-0347



**CAT R2900 / R2900G / R3000H  
WINDOW GUARD**

Part No. 5000331

OEM No. 251-7851



**CAT R2900G  
LUBRICATION LINES COVER RH**

Part No. 5000333

OEM No. 203-1563



**CAT R2900G  
LUBRICATION LINES COVER LH**

Part No. 5601031

OEM No. 203-1562



---

## CAT R2900G CAB DOOR

---

Part No. 5001791

---

OEM No. 249-6759

---

**Features:**

- Heavy duty construction
  - Precision manufactured for fast fit up to your machine
  - Suits GLK and JLK
- 



---

## CAT R2900 / R2900G / R3000H CAB DOOR

---

Part No. 5602059

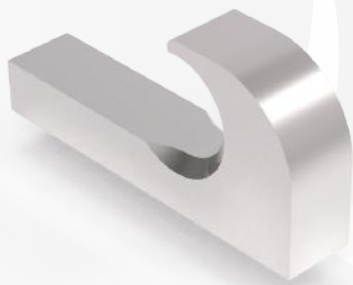
---

OEM No. 442-2059

---

**Features:**

- Heavy duty construction
  - Precision manufactured for fast fit up to your machine
  - Suits JLK, NLK, ZLK, RCM and RCY
- 



---

## RECOVERY HOOK

---

Part No. 5602282

---

**Features:**

- Heavy-duty steel construction
  - Welded to rear to provide tow assistance when required
  - No paint or powder used for ease of welding/fitment
-

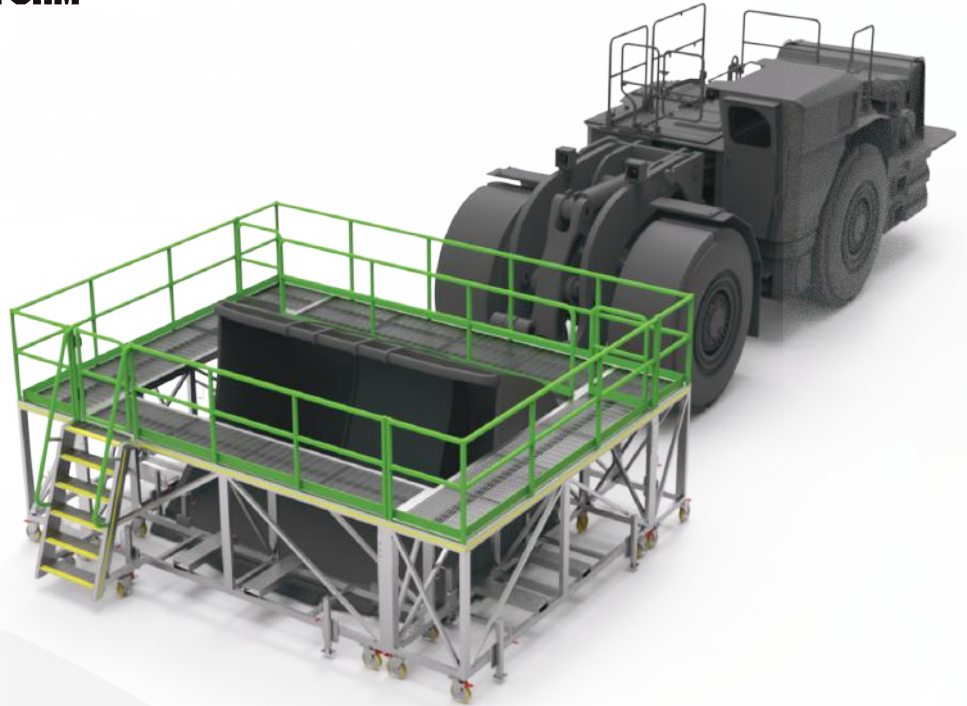
## CAT R2900G BUCKET RECONDITIONING PLATFORM

Part No. 5501730

Designed and engineered for safe, certified and compliant access when working on the CAT R2900G bucket. Certified compliant with Australian Standards.

### Features:

- Full TIG welded, heavy-duty aluminium RHS construction
- 4 x sections bolt together to combine into one square-shaped platform
- Non-slip, serrated grating work deck and stair treads
- Non-slip nosings on all stair treads
- Safety handrails with kickplates
- High quality castor wheels
- Heavy-duty levelling jacking stands
- Forklift slots
- Self-closing gate



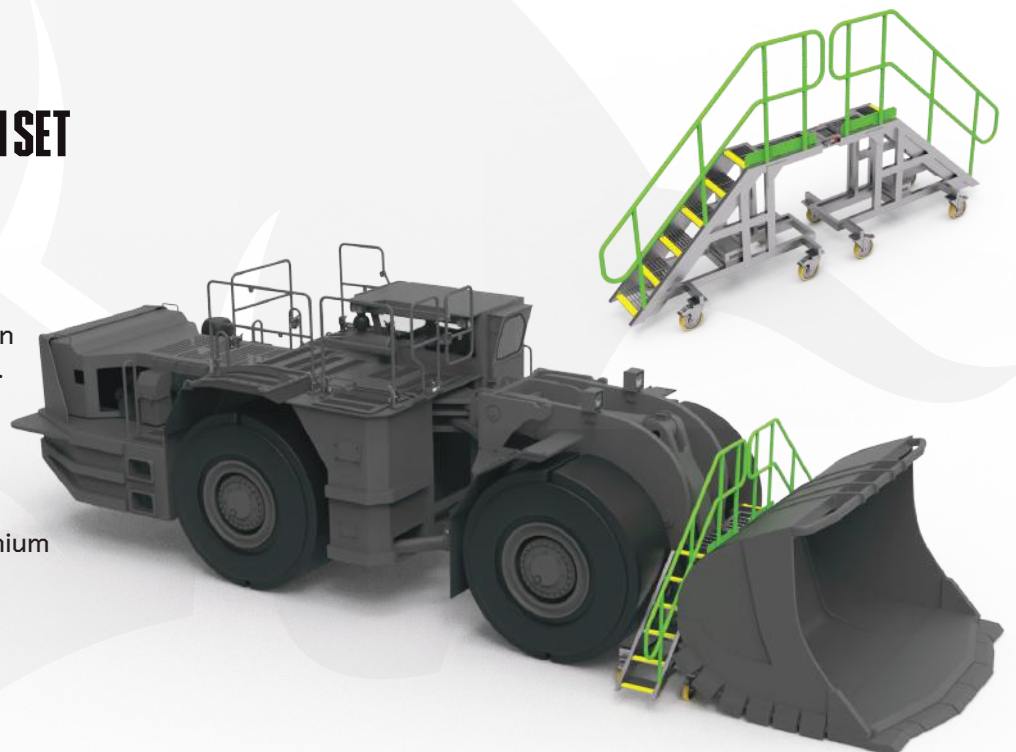
## CAT R2900G LIFT ARM ACCESS PLATFORM SET

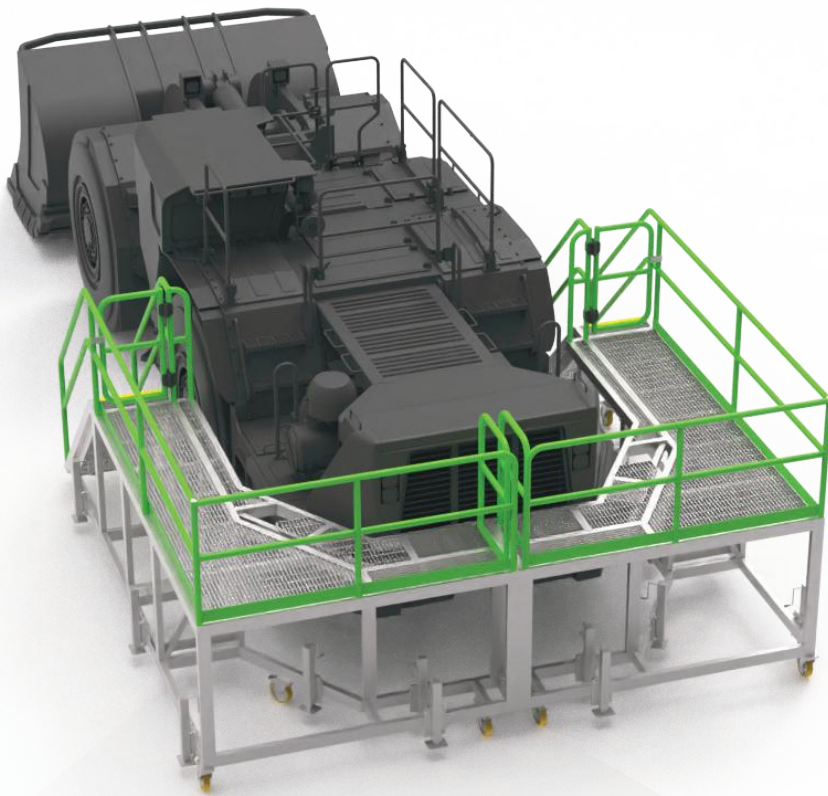
Part No. 5503187

Designed and engineered for safe, certified and compliant access when working on the CAT R2900G bucket. Certified compliant with Australian Standards.

### Features:

- Full TIG welded, heavy-duty aluminium RHS construction
- WLL: 200kg per platform
- LH & RH set
- Fitted with heavy-duty castors
- Fitted with jacking stands





## CAT R2900G REAR ACCESS PLATFORM

Part No. 5503189

Designed and engineered for safe, certified and compliant access when working on the CAT R2900G bucket. Certified compliant with Australian Standards.

### Features:

- Full TIG welded, heavy-duty aluminium RHS construction
- WLL: 600kg
- Non-slip, serrated grating work deck and stair treads
- Non-slip nosings on all stair treads
- Safety handrails with kickplates
- High quality castor wheels
- Heavy-duty levelling jack stands
- Self-closing gate
- Forklift slots

## CAT R2900G ARTICULATION AREA ACCESS PLATFORM

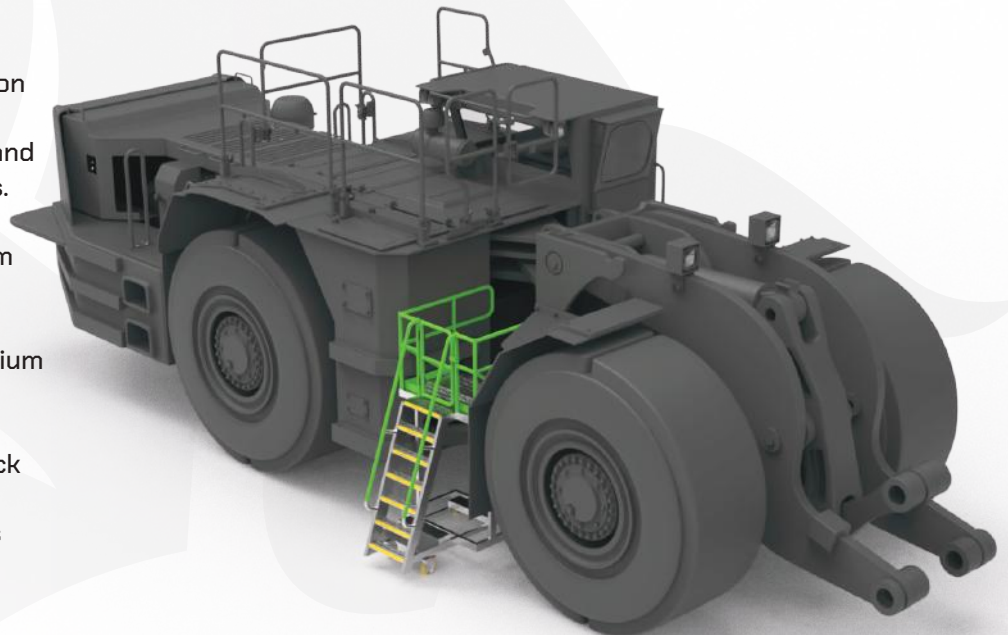
Part No. 5501557

Designed and engineered to safely and efficiently access the articulation area of the CAT R2900G loader for maintenance and repairs. Certified and compliant with Australian Standards.

**Construction:** Heavy-duty aluminium

### Features:

- Full TIG welded, heavy-duty aluminium RHS construction
- WLL: 250kg
- Non-slip, serrated grating work deck and stair treads
- Non-slip nosings on all stair treads
- Safety handrails with kickplates
- High quality castor wheels
- Self-closing gate
- Forklift slots



---

**CAT R2900G FRONT WHEEL / TILT CYLINDER ACCESS PLATFORM**

**Part No.** 5504118

Designed and engineered to provide safe access to the tilt cylinder above the wheel of a CAT R2900G loader for maintenance and repairs. Certified and compliant with Australian Standards.

**Features:**

- Full TIG welded, heavy-duty aluminium RHS construction
- WLL: 150kg
- Non-slip, serrated grating work deck and stair treads
- Non-slip nosings on all stair treads
- Safety handrails with kickplates
- High quality castor wheels
- Removable drop-in handrails facing lift arms
- Self-closing gate
- Forklift slots



---

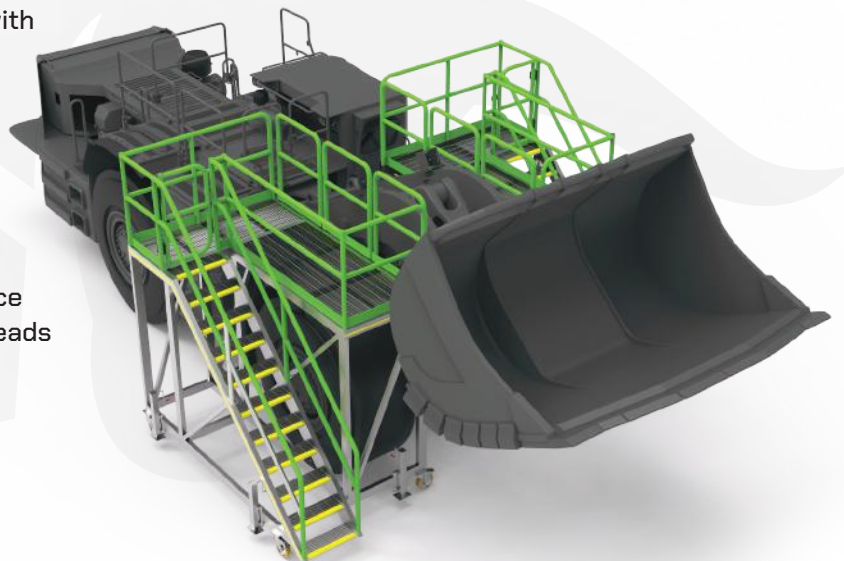
**CAT R2900G LIFT ARM ACCESS PLATFORM SET**

**Part No.** 5505474

Designed and engineered to provide safe and efficient access to the lift cylinder and lift arm assembly for maintenance and repair. Certified and compliant with Australian Standards.

**Features:**

- Full TIG welded, heavy-duty aluminium RHS construction
- WLL: 250kg per platform
- LH & RH symmetrical platform set
- Platforms allow easy access on both sides at once
- Non-slip, serrated grating work deck and stair treads
- Non-slip nosings on all stair treads
- Safety handrails with kickplates
- High quality castor wheels
- Heavy-duty levelling jacking stands
- Removable drop-in handrails facing lift arms
- Self-closing gate





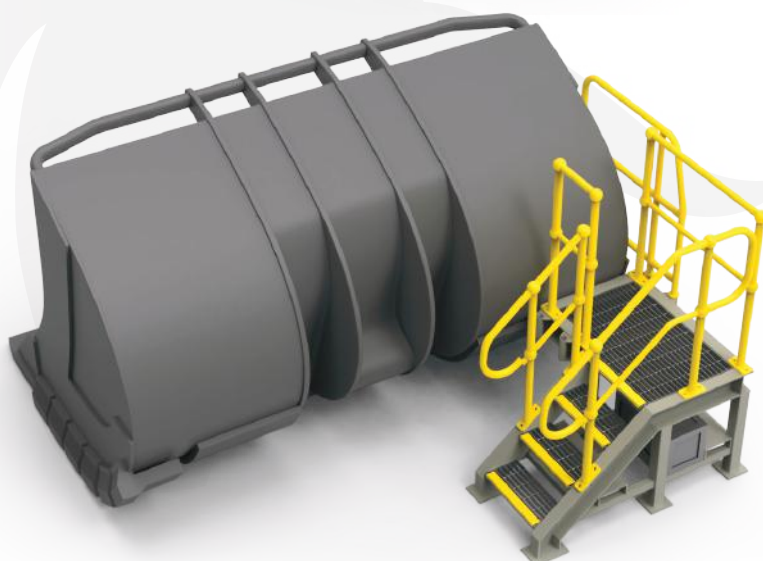
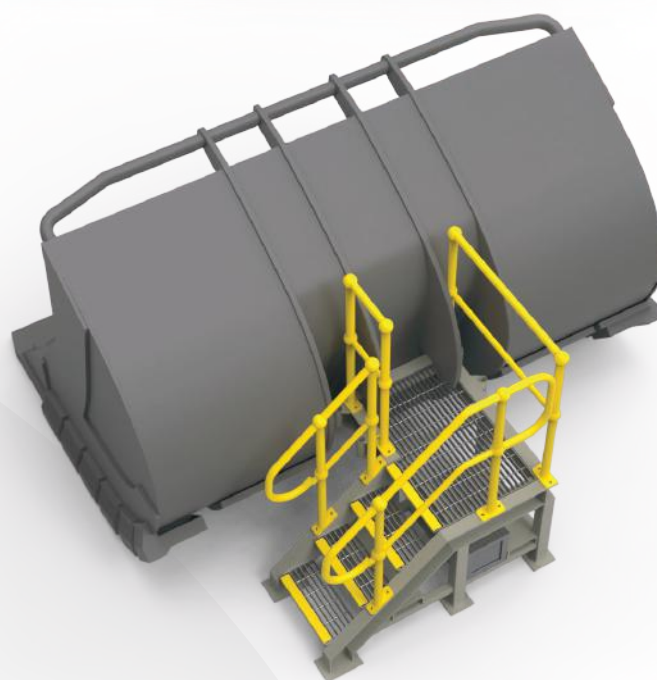
## CAT R2900G BUCKET REPAIR ACCESS PLATFORM

Part No. 5505506

A certified access platform designed and engineered to provide safe and efficient access for maintenance to the bucket of the CAT R2900G loader. Certified and compliant with Australian Standards.

**Features:**

- Heavy-duty steel construction
- WLL: 200kg
- Forklift slots
- Removable handrail - can be used on both sides of platform deck

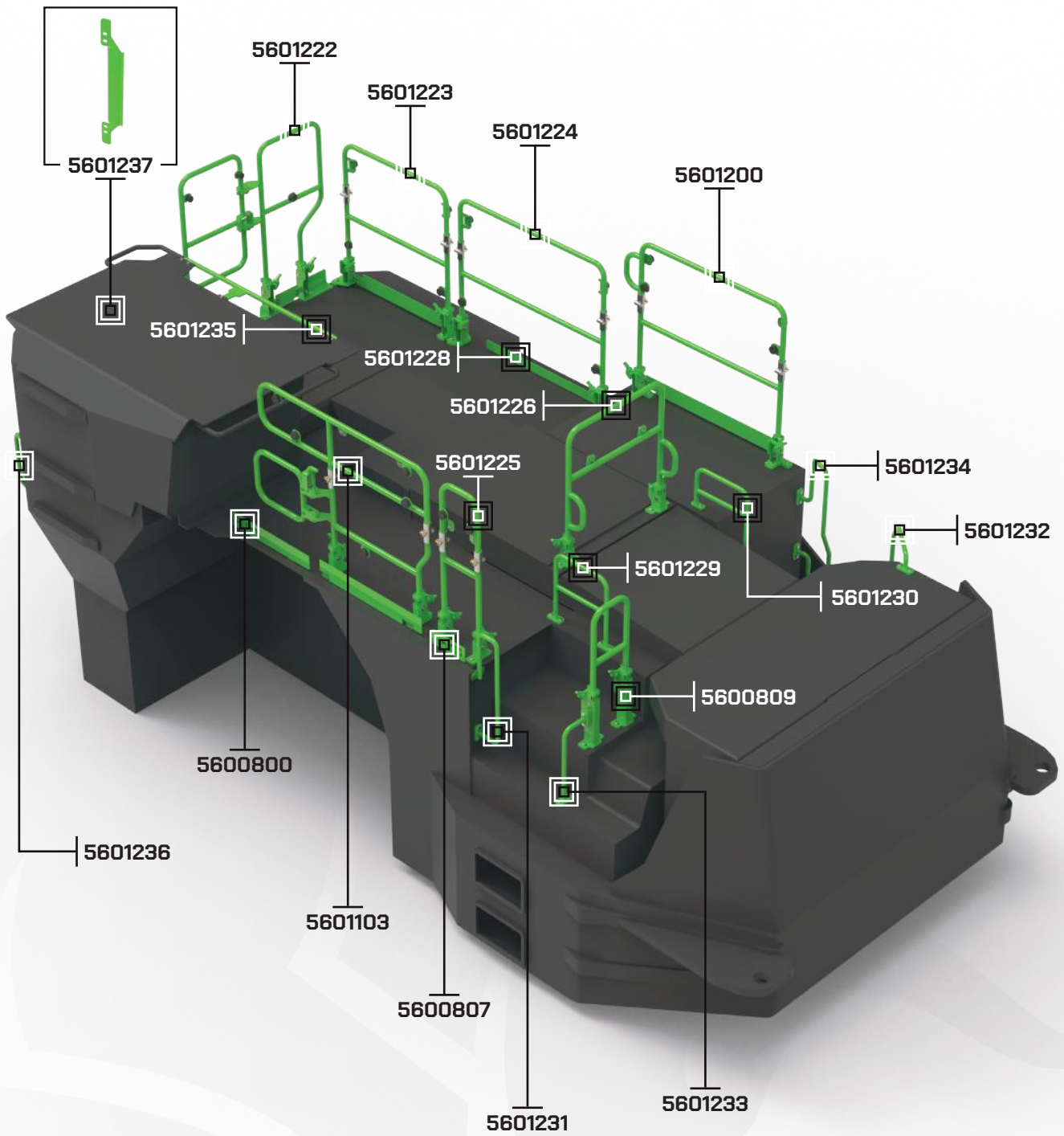


**CAT  
R2900XE LOADER**

**ELIMINATING DOWNTIME, MAXIMISING EFFICIENCY.**









**Kickplate 5600800**

OEM No. 489-9199



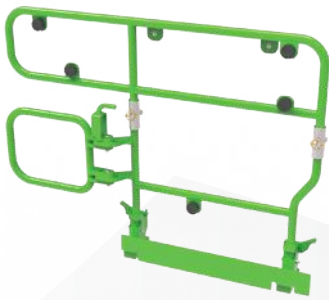
**Kickplate 5600807**

OEM No. 490-1984



**Handrail 5600809**

OEM No. 522-8184



**Handrail 5601103**

OEM No. 582-5511



**Handrail 5601200**

OEM No. 582-5519



**Handrail 5601222**

OEM No. 582-2538



**Handrail 5601223**

OEM No. 581-6690



**Handrail 5601224**

OEM No. 582-2545



**Handrail 5601225**

OEM No. 586-1415



**Handrail 5601226**

OEM No. 543-2555



**Kickplate 5601228**

OEM No. 529-0335



**Handrail 5601229**

OEM No. 588-6813



**Handrail 5601230**  
OEM No. 588-6809



**Handrail 5601231**  
OEM No. 538-7414



**Handrail 5601232**  
OEM No. 585-6684



**Handrail 5601233**  
OEM No. 585-1152



**Handrail 5601234**  
OEM No. 582-5530



**Handrail 5601235**  
OEM No. 574-5405



**Handrail 5601236**  
OEM No. 585-6015



**Plate 5601237**  
OEM No. 605-9320



**CAT  
AD30 TRUCK**

**ELIMINATING DOWNTIME, MAXIMISING EFFICIENCY.**







Handrail 5600245



Handrail 5600246



Handrail 5600247



Handrail 5600248



Kickplate 5610284 *[1 Required]*



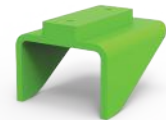
Kickplate 5610282 *[1 Required]*



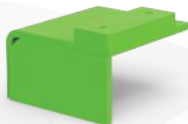
Kickplate 5610286 *[1 Required]*



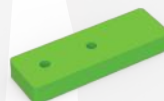
Kickplate 5610285 *[1 Required]*



Mount Plate 5610287 *[1 Required]*



Mount Plate 5610288 *[1 Required]*



Mount Plate 5610283 *[8 Required]*



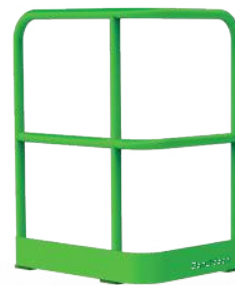
Raised Bracket 5610290 *[1 Req.]*



Bracket 5000158 *[2 Required]*

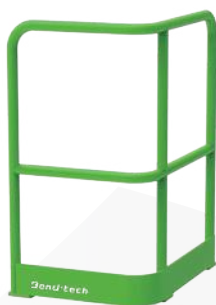


Raised Bracket 5610289 *[1 Req.]*



LH Outer Handrail 5001933

OEM No. 234-9791



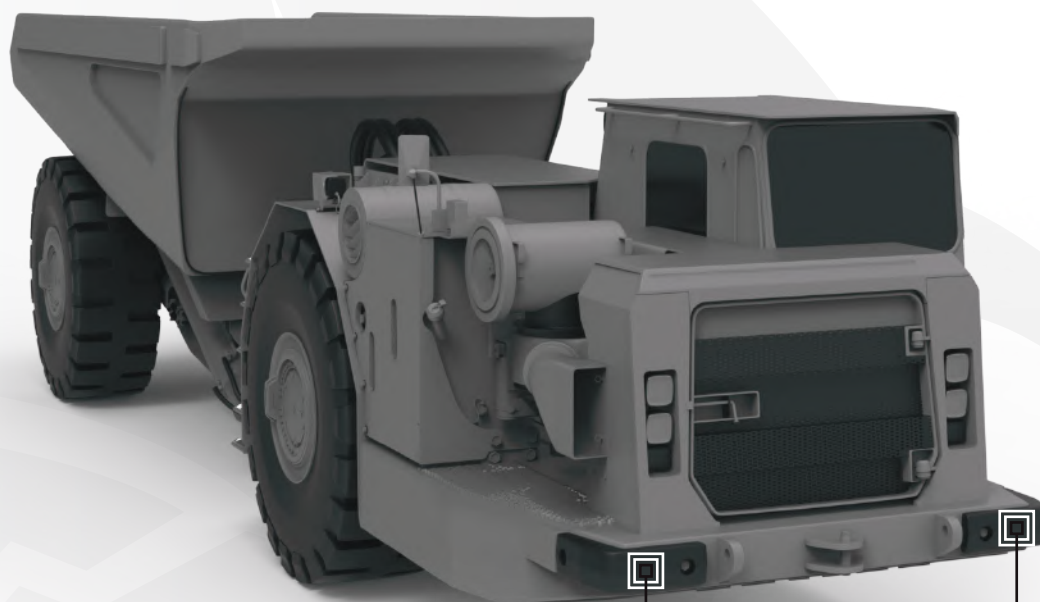
RH Outer Handrail 5001934

OEM No. 234-9790



Bumper 5501935

OEM No. 166-4225 (single-unit)



5501935



---

## CAT AD30 TRAY / TUB ACCESS PLATFORM

**Part No.** 5501823

A safe, certified and compliant access platform designed and engineered to access the tray on the CAT AD30. Certified and compliant with Australian Standards.

**Features:**

- Full TIG welded, heavy-duty aluminium RHS construction
- WLL: 600kg
- Stairway parallel to the platform deck to reduce platform footprint
- Non-slip stairway and work area
- High quality castor wheels
- Handrails fully removable
- Self-closing gate at the top of the stairs

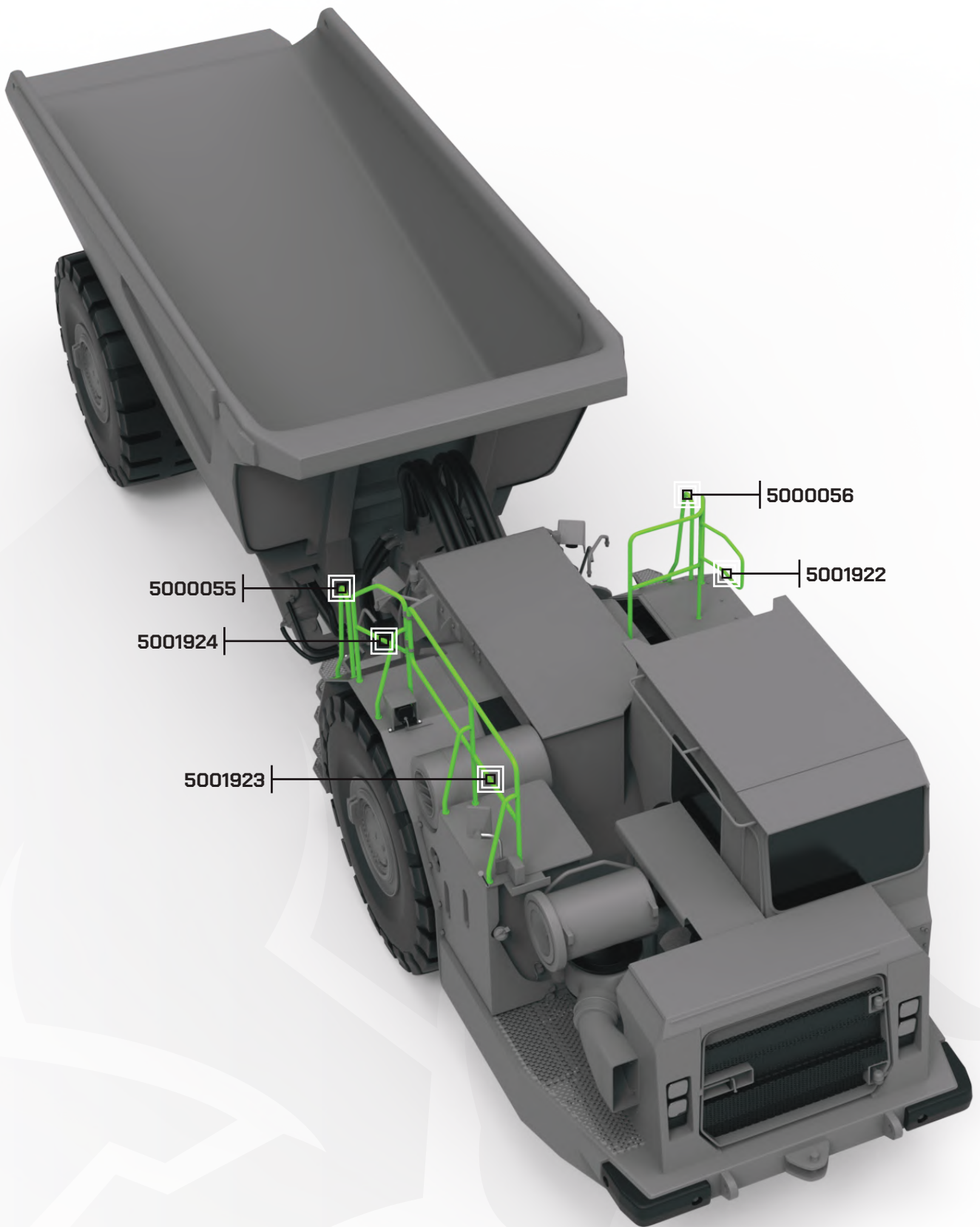


**CAT  
AD45 TRUCK**



**ELIMINATING DOWNTIME, MAXIMISING EFFICIENCY.**







**Handrail 5000055**

OEM No. 245-2160



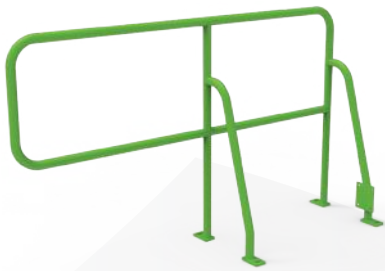
**Handrail 5000056**

OEM No. 245-2161



**Handrail 5001922**

OEM No. 271-1840



**Handrail 5001923**

OEM No. 271-1841



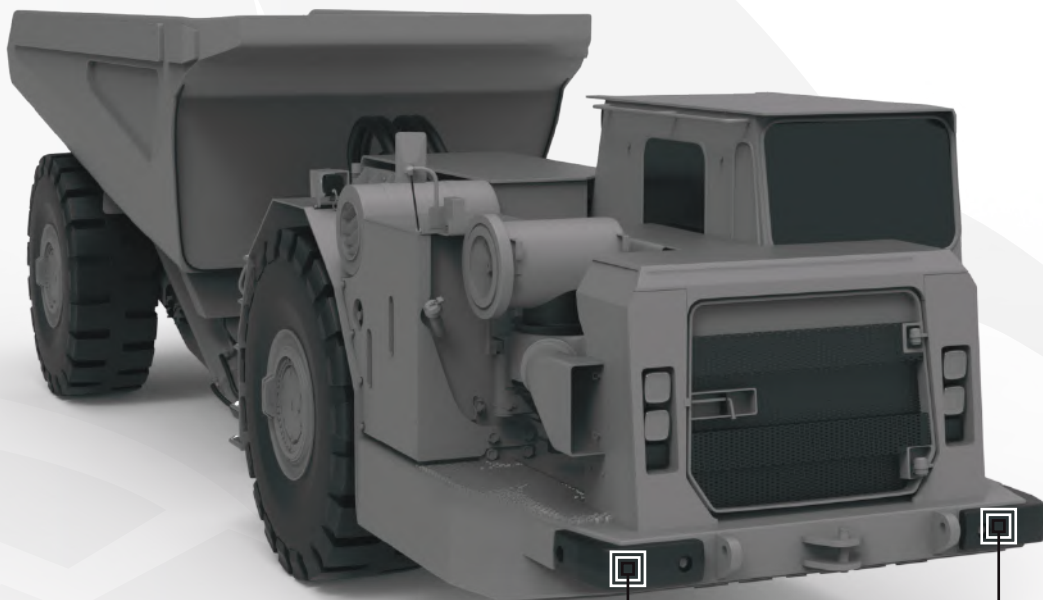
**Handrail 5001924**

OEM No. 271-1842

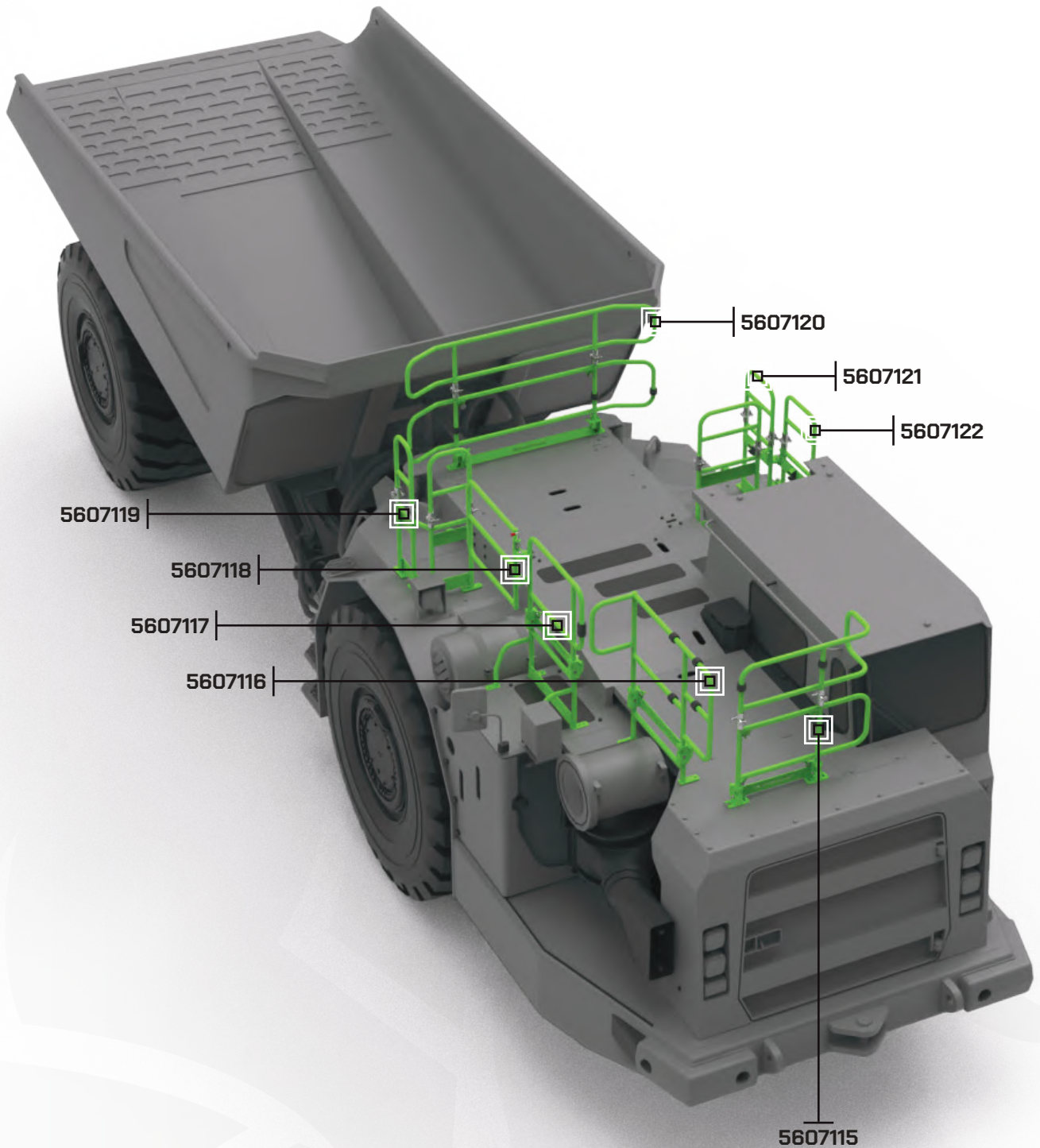


**Bumper 5501935**

OEM No. 166-4225 (single-unit)



5501935





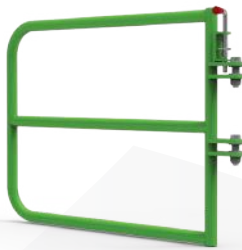
Handrail 5607115



Handrail 5607116



Handrail 5607117



Handrail 5607118



Handrail 5607119



Handrail 5607120



Handrail 5607121

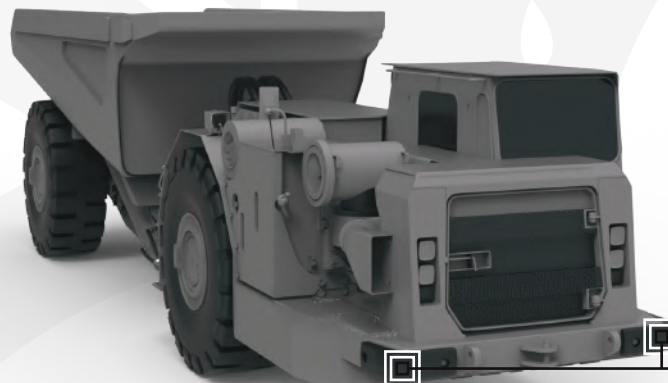


Handrail 5607122



Bumper 5501935

OEM No. 166-4225 (single-unit)



5001935

## CAT AD45 HANDRAIL STORAGE RACK

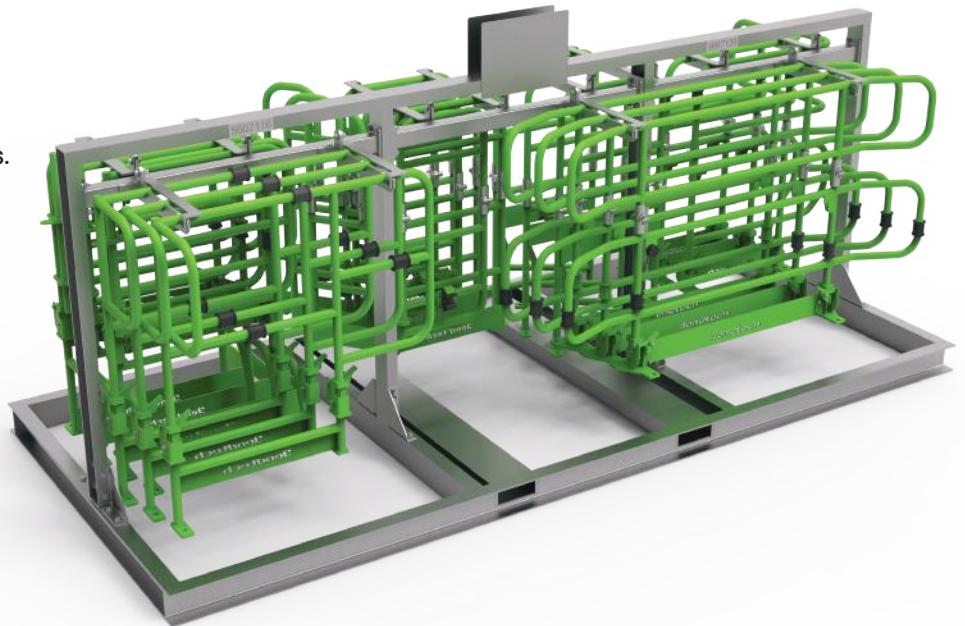
Part No. 5507638

Suits ROX's OEM replacement handrails. Certified and compliant with Australian Standards.

This handrail storage rack allows sites to access replacement handrails quickly and easily, without waiting for freight.

**Features:**

- Heavy-duty steel construction
- Heavy-duty hot dip galvanised finish
- All required signage incorporated
- Rack capacity: 3 complete sets
- Forklift slots
- Handrails not included



## CAT AD45 TRAY / TUB ACCESS PLATFORM

Part No. 5501806

A safe, certified and compliant access platform designed and engineered to access the tray on the CAT AD45. Certified compliant with Australian Standards.

**Features:**

- Full TIG welded, heavy-duty aluminium RHS construction
- Stairway parallel to the platform deck to reduce platform footprint.
- Non-slip stairway and work area
- High quality castor wheels
- Handrails fully removable
- Self-closing gate at the top of the stairs

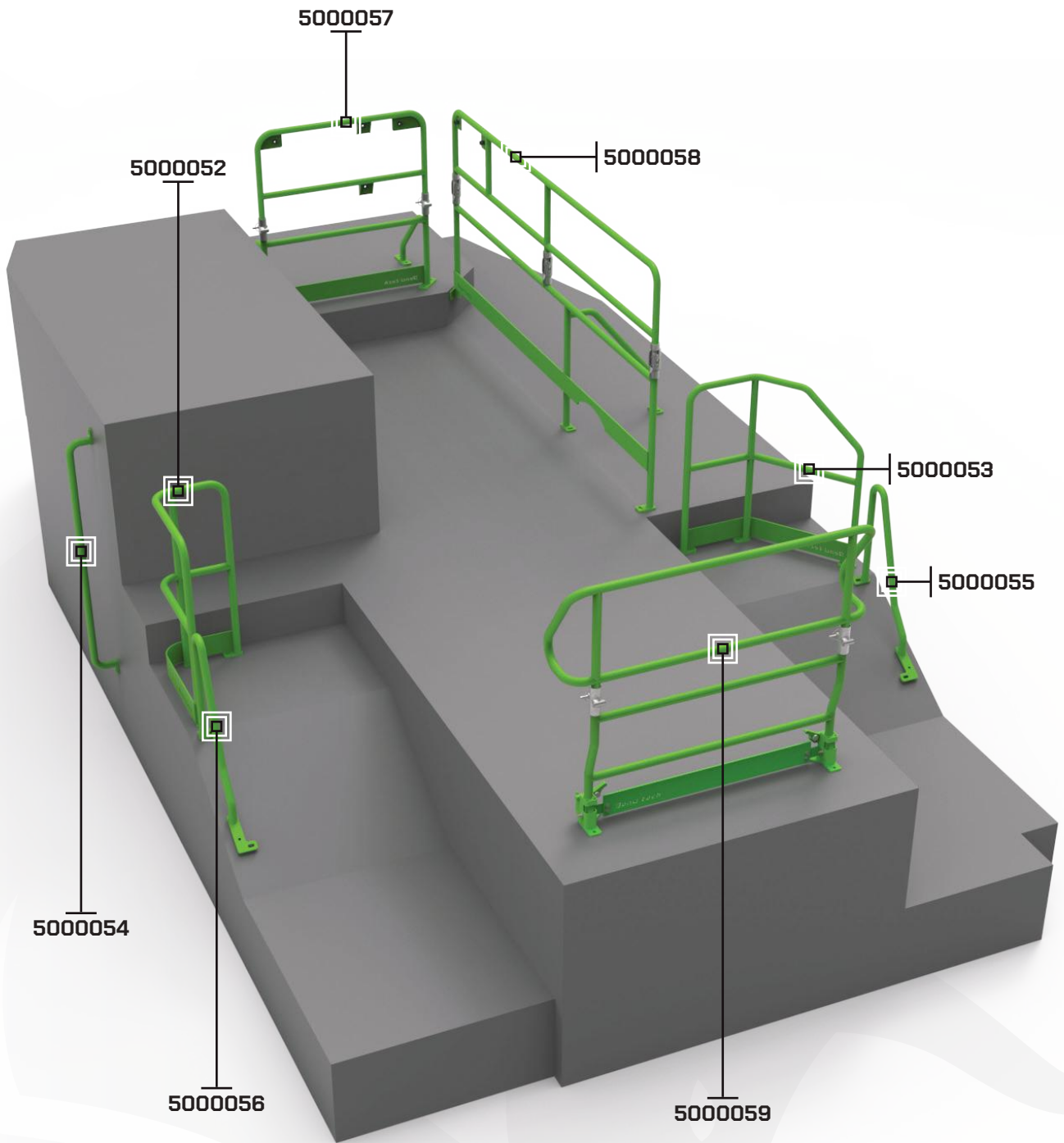


**CAT  
AD55 TRUCK**



**ELIMINATING DOWNTIME, MAXIMISING EFFICIENCY.**



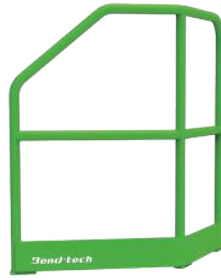






**Handrail 5000052**

OEM No. 211-3320



**Handrail 5000053**

OEM No. 211-3321



**Handrail 5000054**

OEM No. 211-3328



**Handrail 5000055**

OEM No. 245-2160



**Handrail 5000056**

OEM No. 245-2161



**Bumper 5000057**

OEM No. 321-4800



**Handrail 5000058**

OEM No. 361-8490



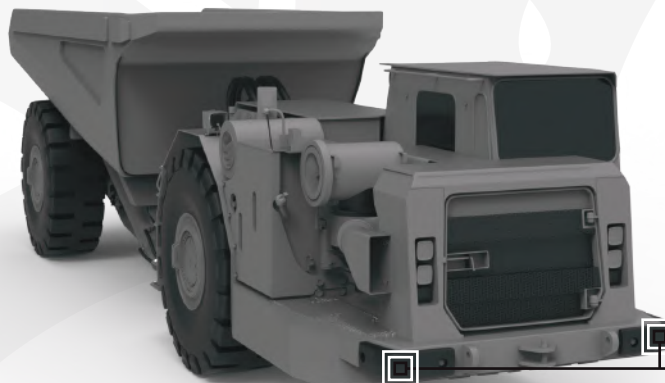
**Handrail 5000059**

OEM No. 316-2954

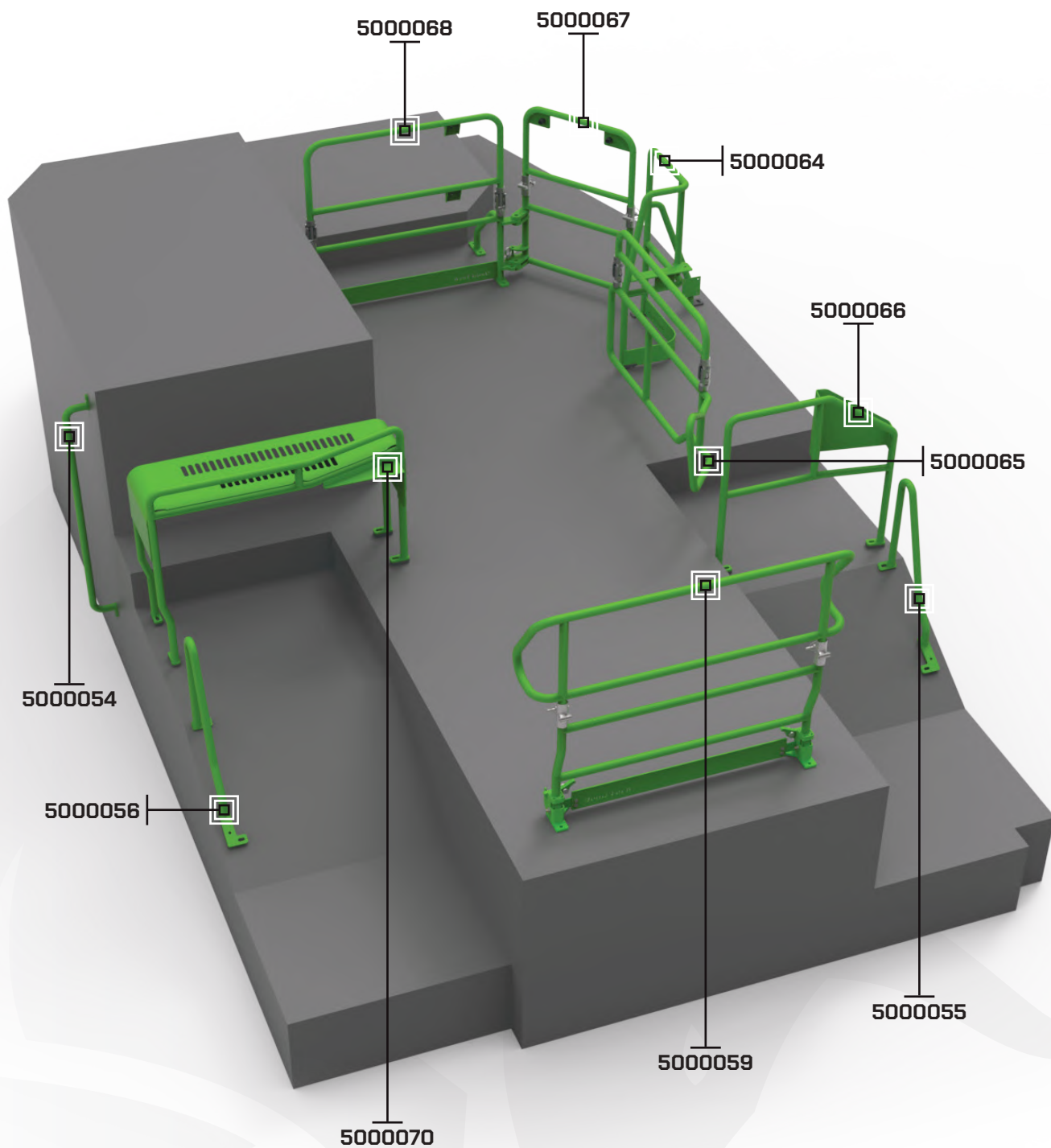


**Bumper 5501935**

OEM No. 166-4225 (single-unit)



5501935





Handrail 5000054

OEM No. 211-3328



Handrail 5000055

OEM No. 245-2160



Handrail 5000056

OEM No. 245-2161



Handrail 5000064

OEM No. 304-6145



Handrail 5000065

OEM No. 313-2827



Handrail 5000066

OEM No. 304-6148



Handrail 5000067

OEM No. 313-3123



Handrail 5000068

OEM No. 313-3146



Handrail 5000059

OEM No. 316-2954



Handrail 5000070

OEM No. 310-4990



Ladder 5000046

OEM No. 515-8945 (OLD 338-6547)



Bumper 5501935

OEM No. 166-4225 (single-unit)

## CAT AD55 TRAY / TUB ACCESS PLATFORM

Part No. 5501846

A platform designed for the safe, certified and compliant access to the tray of the CAT AD55 DNW and JNW. Certified and compliant with Australian Standards.

**Features:**

- Full TIG welded, heavy-duty aluminium RHS construction
- Non-slip stairway and work area
- Safety handrails
- Self-closing gate
- High quality castor wheels
- Foldable handrail wings that align with the edges of the tray
- Fitted with jacking stands



## CAT AD55 HYDRAULIC RAM CLAMP SET - 597MM

Part No. 5501387

Our tub lifting ram clamp is designed and engineered for the CAT AD55. We designed this solution due to the OEM lockout devices not providing enough height for critical maintenance to the rear axle and diff area.

**Features:**

- Heavy-duty steel construction
- Manual handling weights no greater than 15kg
- Eliminates the need to setup labour intensive heavy-duty support stands
- 2 x supports included
- Certified and compliant with Australian Standards

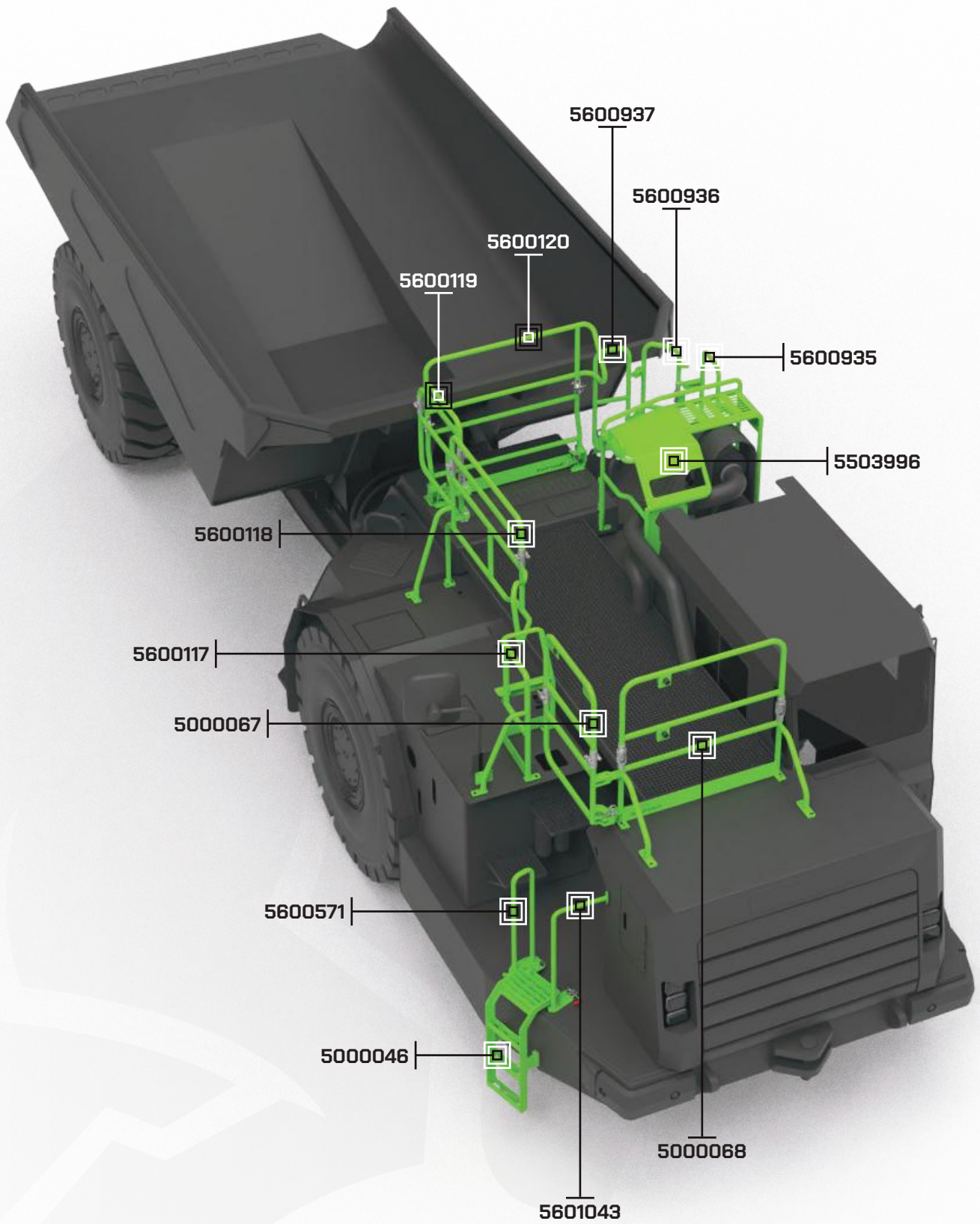


**CAT  
AD60 TRUCK**



**ELIMINATING DOWNTIME, MAXIMISING EFFICIENCY.**







**Handrail 5600118**  
OEM No. 393-5365



**Handrail 5000067**  
OEM No. 313-3123



**Handrail 5000068**  
OEM No. 313-3146



**Handrail 5600120**  
OEM No. 370-2776



**Handrail 5600117**  
OEM No. 366-4160



**Handrail 5600119**  
OEM No. 393-5385



**Handrail 5600935**  
OEM No. 567-8717



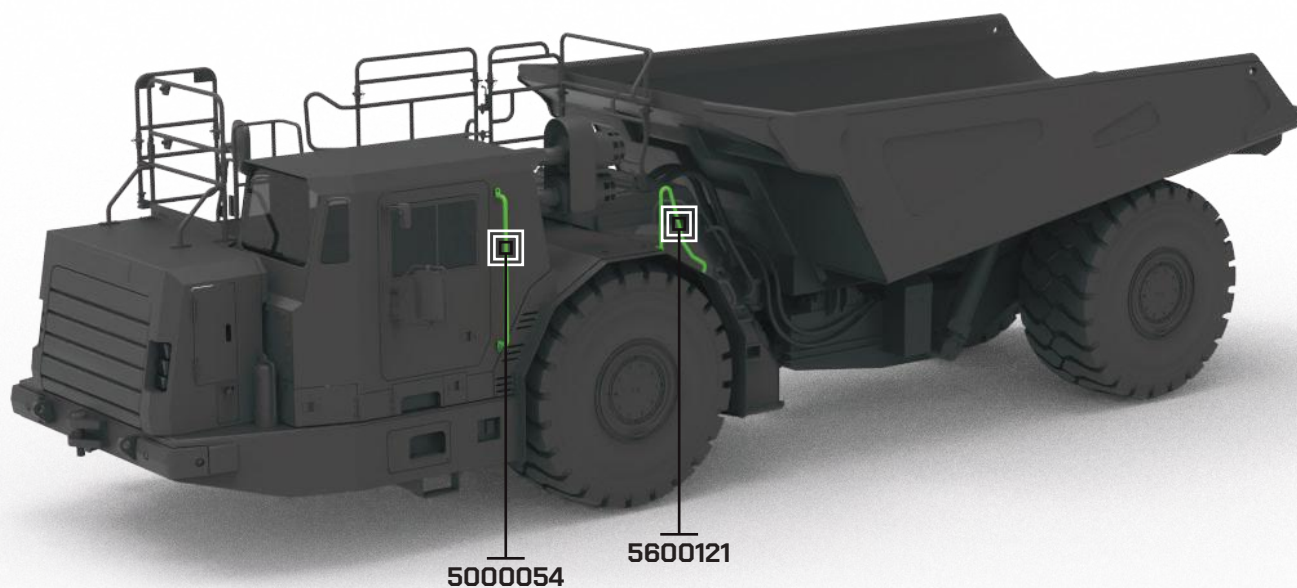
**Handrail 5600936**  
OEM No. 567-8720



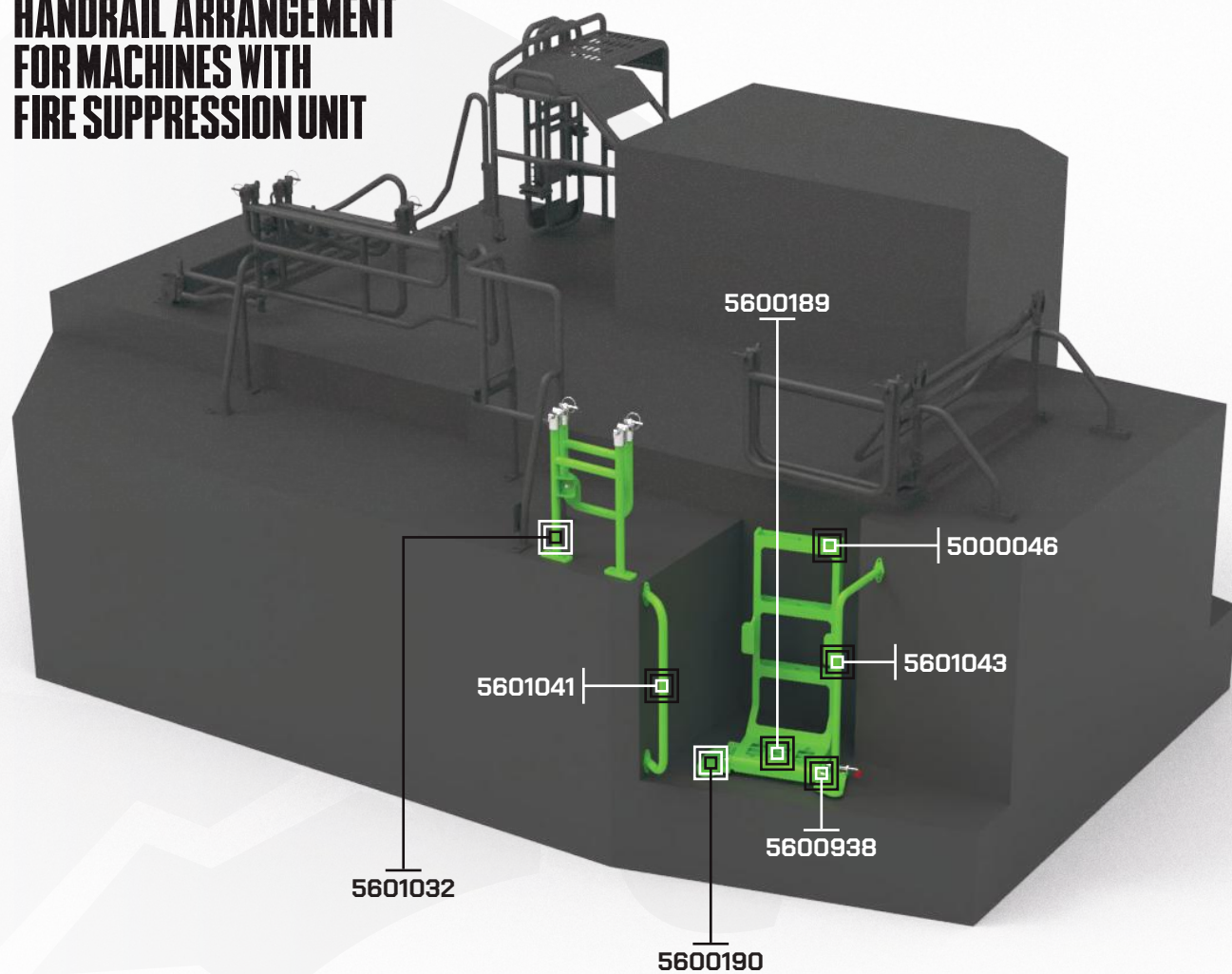
**Handrail 5600937**  
OEM No. 567-8718



**Handrail 5503996**  
OEM No. 567-8716 *[Suited to models with fire suppression unit fitted]*



**HANDRAIL ARRANGEMENT  
FOR MACHINES WITH  
FIRE SUPPRESSION UNIT**







**Handrail 5000054**

OEM No. 211-3328



**Handrail 5600121**

OEM No. 380-0075



**Handrail 5601032**

OEM No. 443-4991



**Handrail 5600571**

OEM No. 311-5194



**Handrail 5601043**

OEM No. 338-6514



**Plate 5600190**

OEM No. 453-6178



**Pin 5600938**

OEM No. 311-5483



**Ladder 5000046**

OEM No. 515-8945 (OLD 338-6547)



**Handrail 5601041**

OEM No. 450-5395



**Block 5600189**

OEM No. 335-4773



**Bumper 5501935**

OEM No. 166-4225 (single-unit)

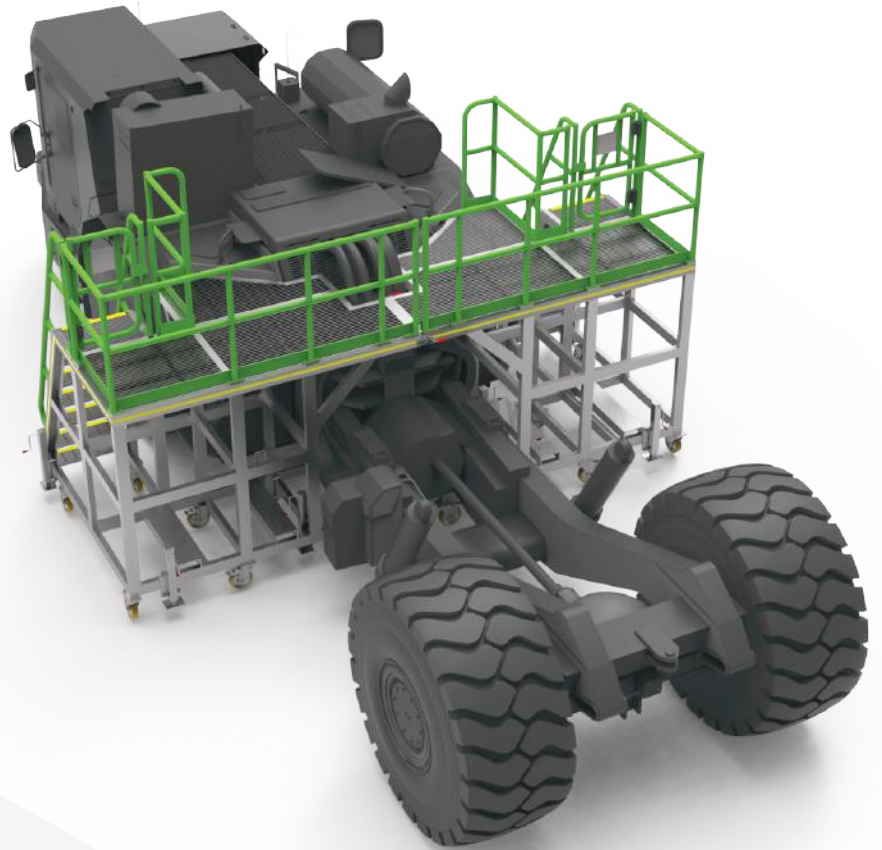
## CAT AD60 REAR TRANSMISSION ACCESS PLATFORM

Part No. 5503486

A safe, certified and compliant access platform designed and engineered to access the mid-section of the CAT AD60. Certified and compliant with Australian Standards.

### Features:

- Full TIG welded, heavy-duty aluminium RHS construction
- WLL: 250kg
- High quality castor wheels
- Forklift slots
- Fitted with jacking stands
- Self-closing gates



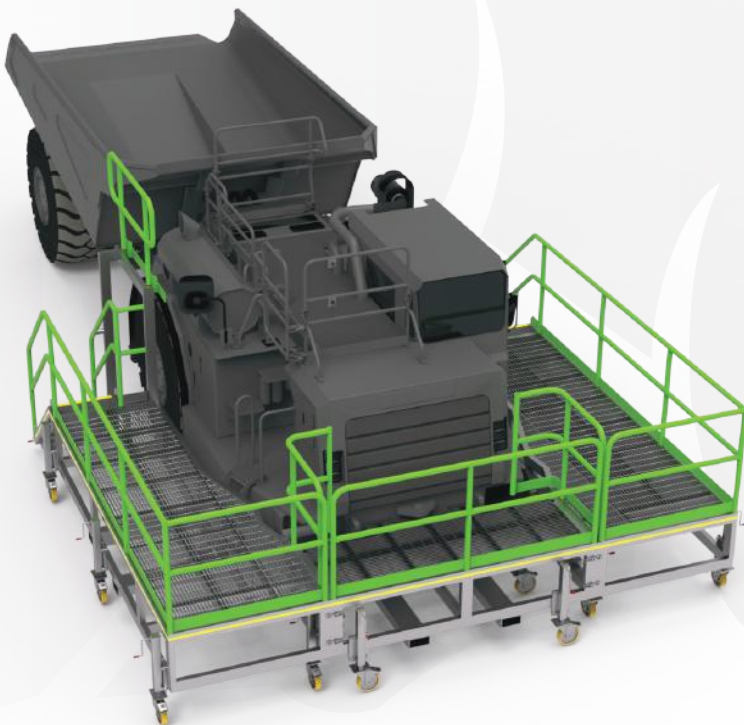
## CAT AD60 FRONT ACCESS PLATFORM

Part No. 5503472

A safe, certified and compliant access platform designed and engineered to access the front end of the CAT AD60. Certified and compliant with Australian Standards.

### Features:

- Full TIG welded, heavy-duty aluminium RHS construction
- WLL: 600kg per platform section
- Platforms allow easy access to the front of the cab and around the sides
- Modular design, split into 3 sections for ease of transport and use
- Sections simply latch together
- Double height handrails at points to prevent falls
- Non-slip nosings on all stair treads
- Safety handrails with kickplates
- Drop-in removable handrails between sections
- High quality castor wheels
- Self-closing gates
- Forklift slots



## CAT AD60 TUB TRANSPORT FRAME

Part No. 5303154

The transport frame is designed and engineered for the safe, efficient and easy movement of CAT AD60 tubs in the field.

**Features:**

- Heavy-duty steel construction
- WLL: 14T
- Rubber pads on contact surfaces
- Fitted with heavy-duty roller wheels
- Painted to specific requirements
- Forklift slots

## CAT AD60 TUB WORKSHOP FRAME

Part No. 5503154

The workshop frame is designed and engineered to allow for safe, efficient and easy maintenance or refurbishment of AD60 and MT65 tubs in the workshop.

**Features:**

- Heavy-duty steel construction
- WLL: 14T
- Rubber pads on contact surfaces
- Heavy-duty grating deck
- Painted to specific requirements
- Forklift slots

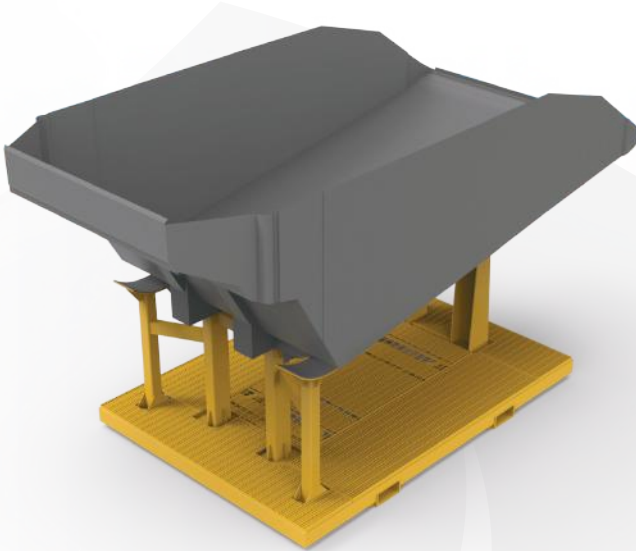
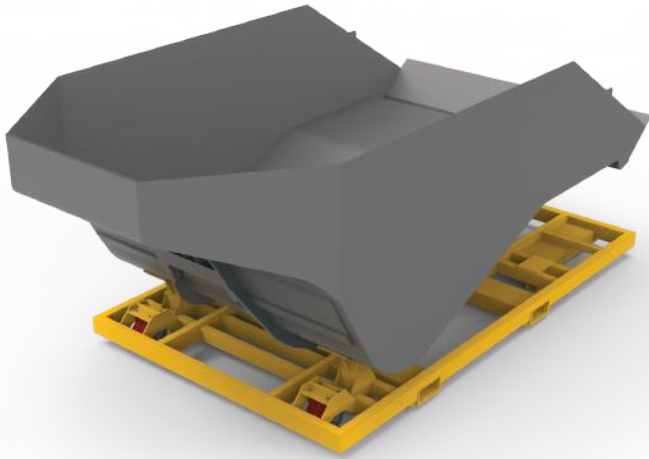
## CAT AD60 SKID STAND

Part No. 5502519

A stand used for the skid on the CAT AD60, engineered and certified in compliance with Australian Standards.

**Features:**

- Heavy-duty steel construction
- WLL: 25T
- Finished in Y-14 safety yellow
- Height: 550mm
- Forklift slots

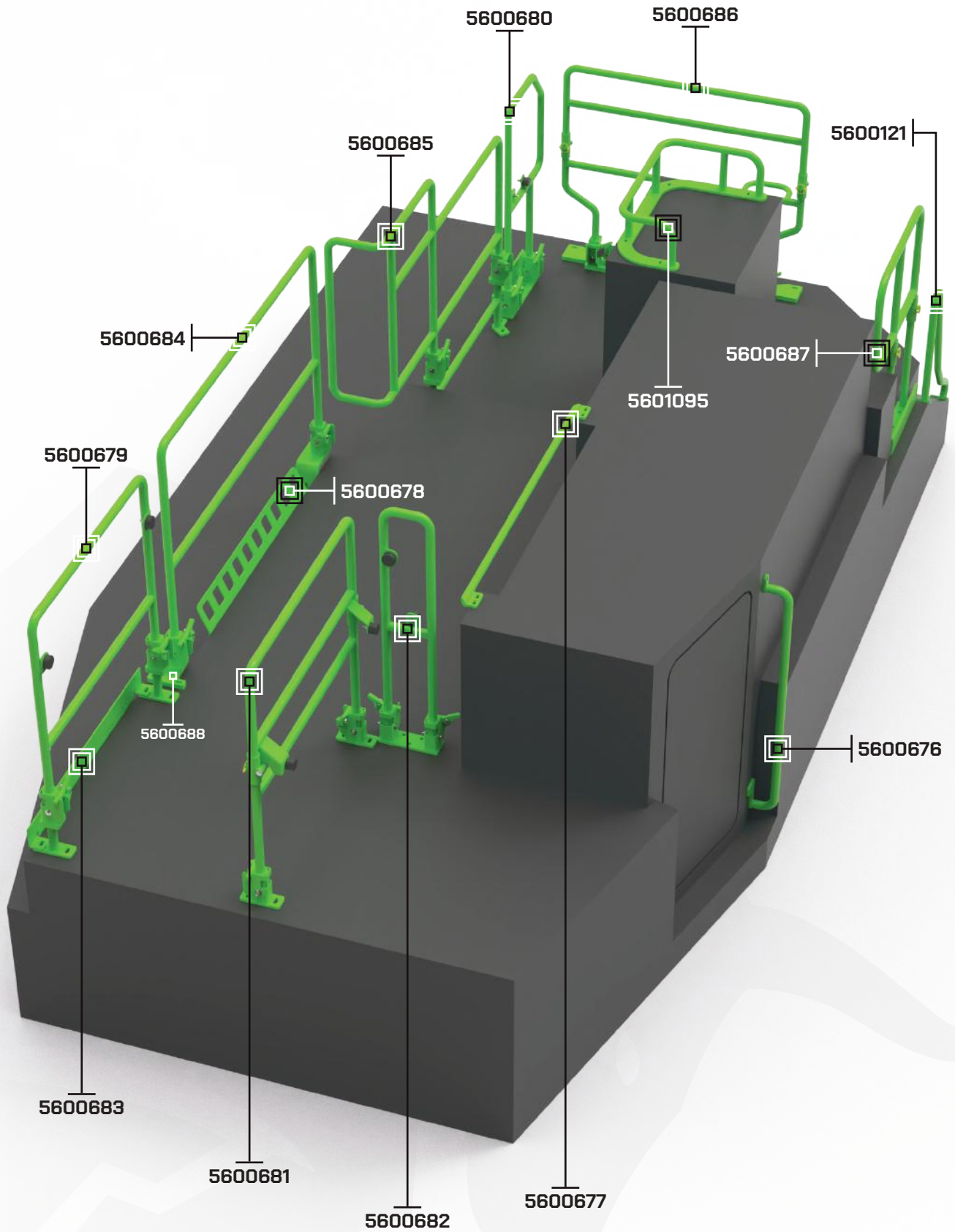


**CAT  
AD63 TRUCK**



**ELIMINATING DOWNTIME, MAXIMISING EFFICIENCY.**







**Handrail 5600684**  
OEM No. 557-5253



**Handrail 5600681**  
OEM No. 548-9050



**Handrail 5600679**  
OEM No. 548-5995



**Handrail 5600686**  
OEM No. 557-5284



**Handrail 5600685**  
OEM No. 557-5264



**Handrail 5600687**  
OEM No. 557-5289



**Handrail 5601095**  
OEM No. 557-5289



**Handrail 5600682**  
OEM No. 557-5240



**Handrail 5600680**  
OEM No. 548-9049



**Handrail 5600676**  
OEM No. 540-2857



**Handrail 5600688**  
OEM No. 557-6438



**Handrail 5600121**  
OEM No. 380-0075



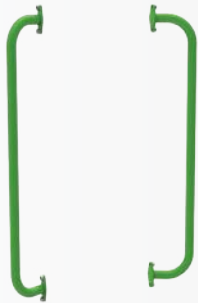
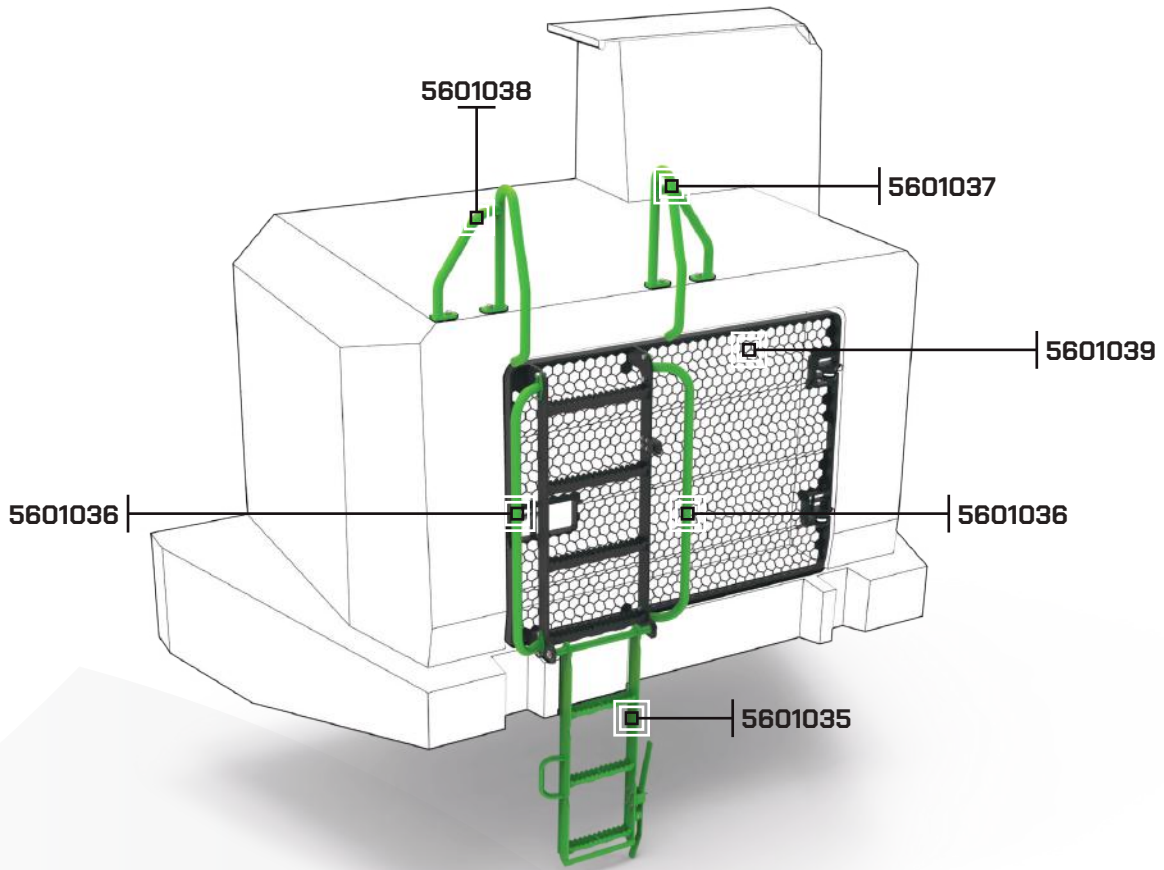
**Handrail 5600677**  
OEM No. 540-2860



**Kickplate 5600683**  
OEM No. 557-5245



**Kickplate 5600678**  
OEM No. 543-5339



**Handrail 5601036** [2 Required]  
OEM No. 543-3655



**Handrail 5601038**  
OEM No. 543-3779



**Handrail 5601037**  
OEM No. 564-2857



**Ladder 5601035**  
OEM No. 543-3652



**Front Grille 5601039**  
OEM No. 543-3649



**Bumper 5501935**  
OEM No. 166-4225 [single-unit]

---

**CAT AD63  
HANDRAIL STORAGE RACK**

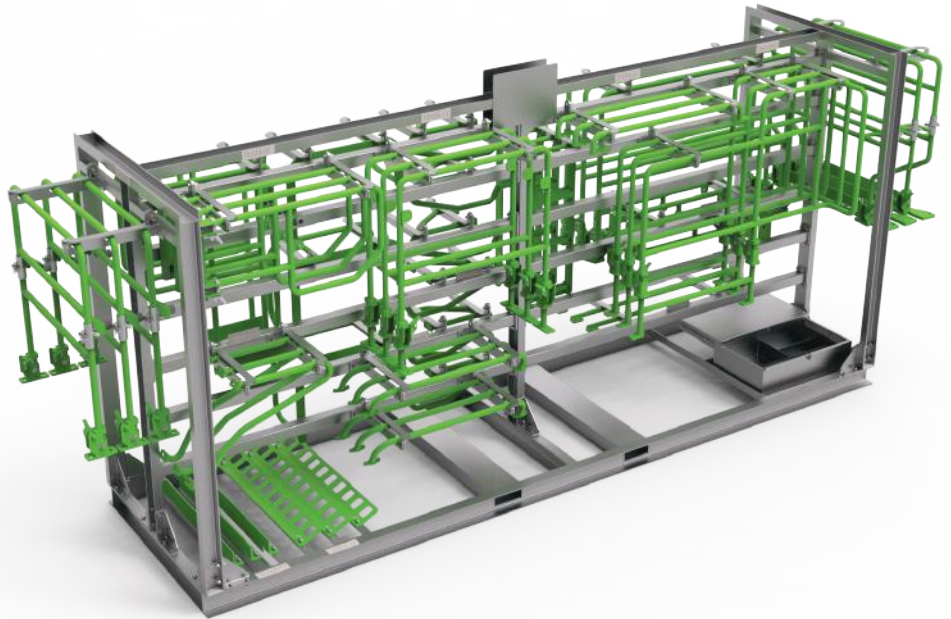
Part No. 5507477

Suits ROX's OEM replacement handrails. Certified and compliant with Australian Standards.

This handrail storage rack allows sites to access replacement handrails quickly and easily, without waiting for freight.

**Features:**

- Heavy-duty steel construction
- Heavy-duty hot dip galvanised finish
- All required signage incorporated
- Rack capacity: 3 complete sets
- Forklift slots
- Handrails not included



---

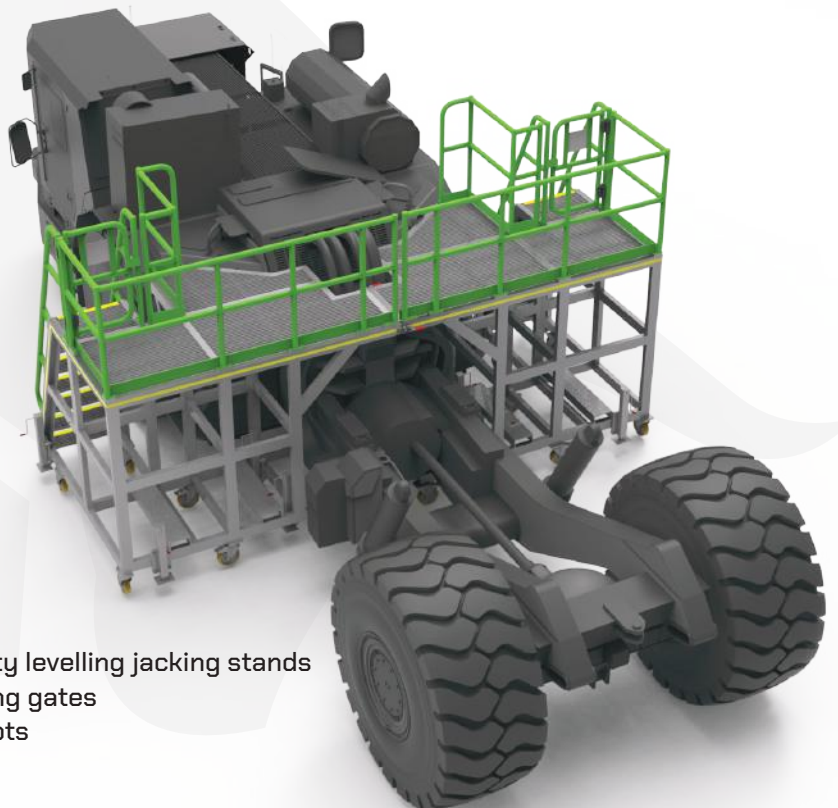
**CAT AD63  
TRANSMISSION ACCESS PLATFORM**

Part No. 5506357

A platform designed and engineered to allow technicians/operators to safely access the transmission for maintenance. LH and RH platforms lock together. Certified and compliant with Australian Standards.

**Features:**

- Full TIG welded, heavy-duty aluminium RHS construction
- WLL: 250kg
- Latch locking design
- Non-slip, serrated grating work deck and stair treads
- Non-slip nosings on all stair treads
- Bolt-on handrails with kickplates
- High quality castor wheels
- Heavy-duty levelling jacking stands
- Self-closing gates
- Forklift slots





**CAT AD63  
TRAY / TUB ACCESS PLATFORM**

Part No. 5506359

A platform designed and engineered to provide safe and efficient access to the tray of the CAT AD63. Swing out gates block off gaps that technicians/operators could fall out of and can be wheeled or forklifted into position. Certified and compliant with Australian Standards.

**Features:**

- Full TIG welded, heavy-duty aluminium RHS construction
- WLL: 250kg
- Latch locking design
- Non-slip, serrated grating work deck and stair treads
- Non-slip nosings on all stair treads
- Bolt-on handrails with kickplates
- High quality castor wheels
- Heavy-duty levelling jacking stands
- Self-closing gates
- Swing gates with magnetic clamps
- Forklift slots



**CAT AD63  
FRONT ACCESS PLATFORM**

Part No. 5506355

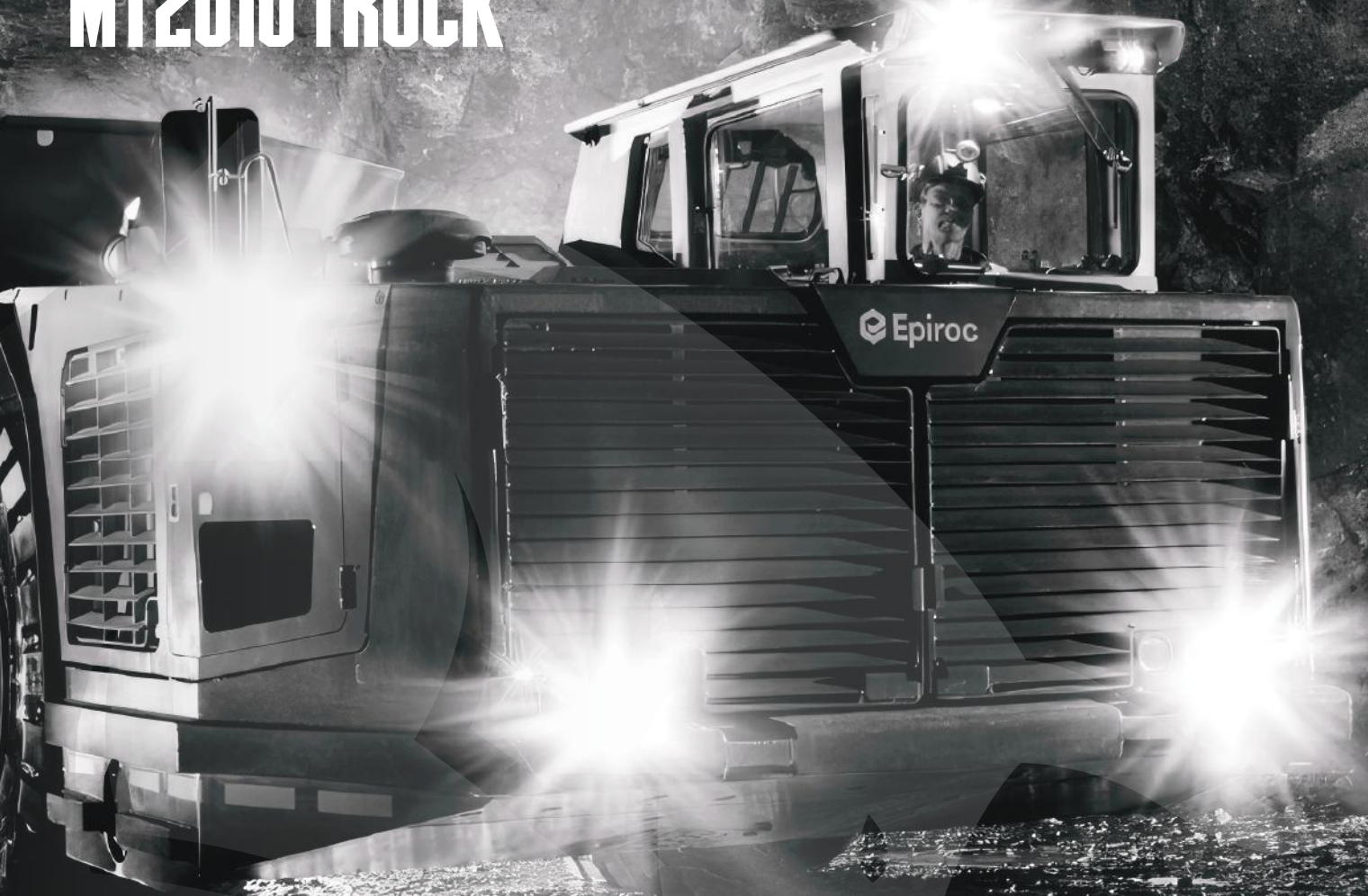
Platform to fit around the front of the machine for easier and safe access during maintenance. Covers both sides with step access. Certified and compliant with Australian Standards.

**Features:**

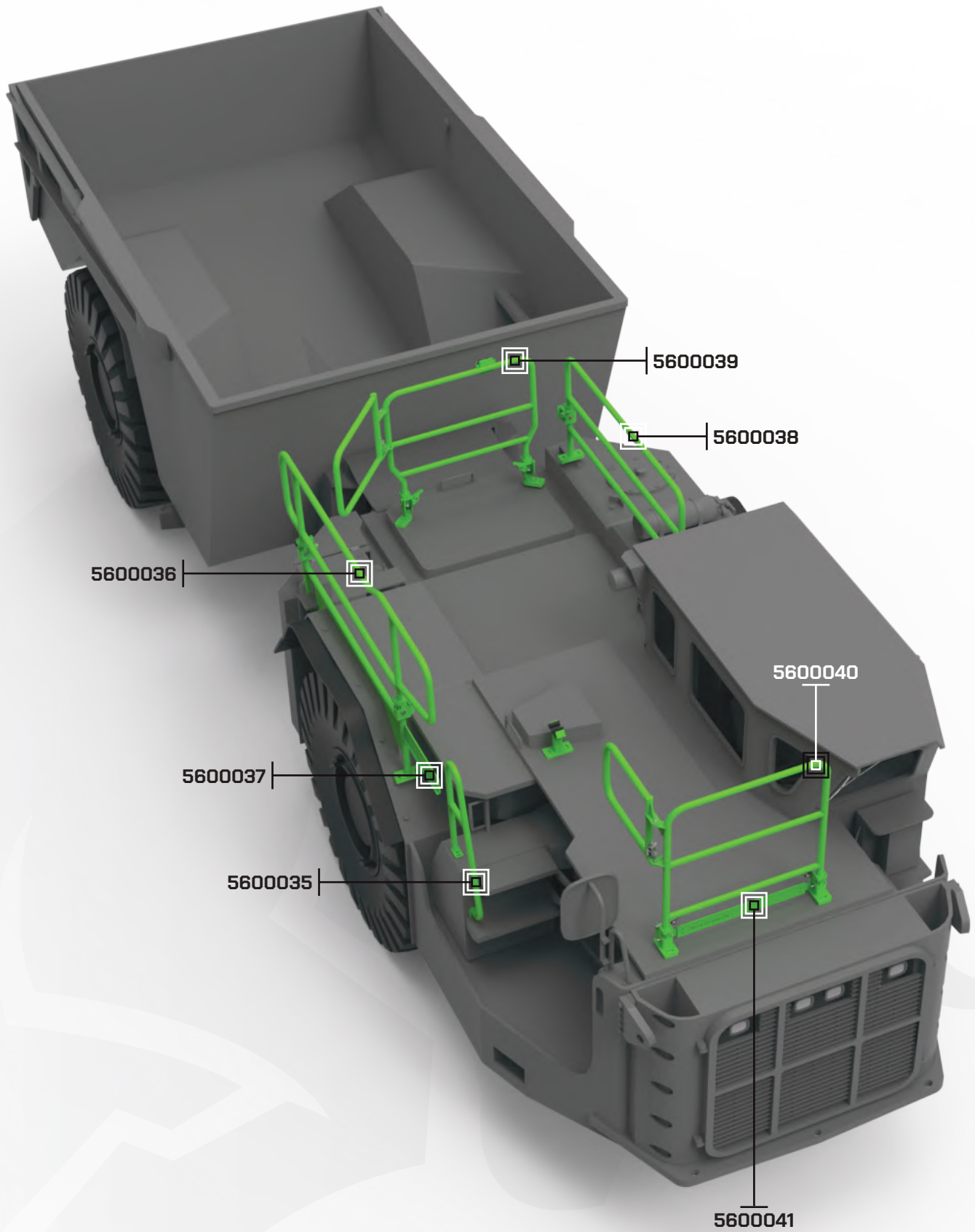
- Full TIG welded, heavy-duty aluminium RHS construction
- WLL: 600kg
- Latch locking design
- Non-slip, serrated grating work deck and stair treads
- Non-slip nosings on all stair treads
- Bolt-on handrails with kickplates
- High quality castor wheels
- Heavy-duty levelling jacking stands
- Self-closing gates
- Removable handrails
- Forklift slots



**EPIROC  
MT2010 TRUCK**

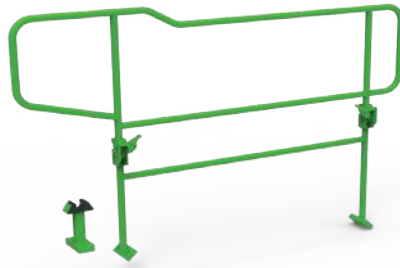


**ELIMINATING DOWNTIME, MAXIMISING EFFICIENCY.**





**Handrail 5600035**



**Handrail 5600036**



**Handrail 5600040**



**Handrail 5600038**



**Handrail 5600039**



**Kickplate 5600037**



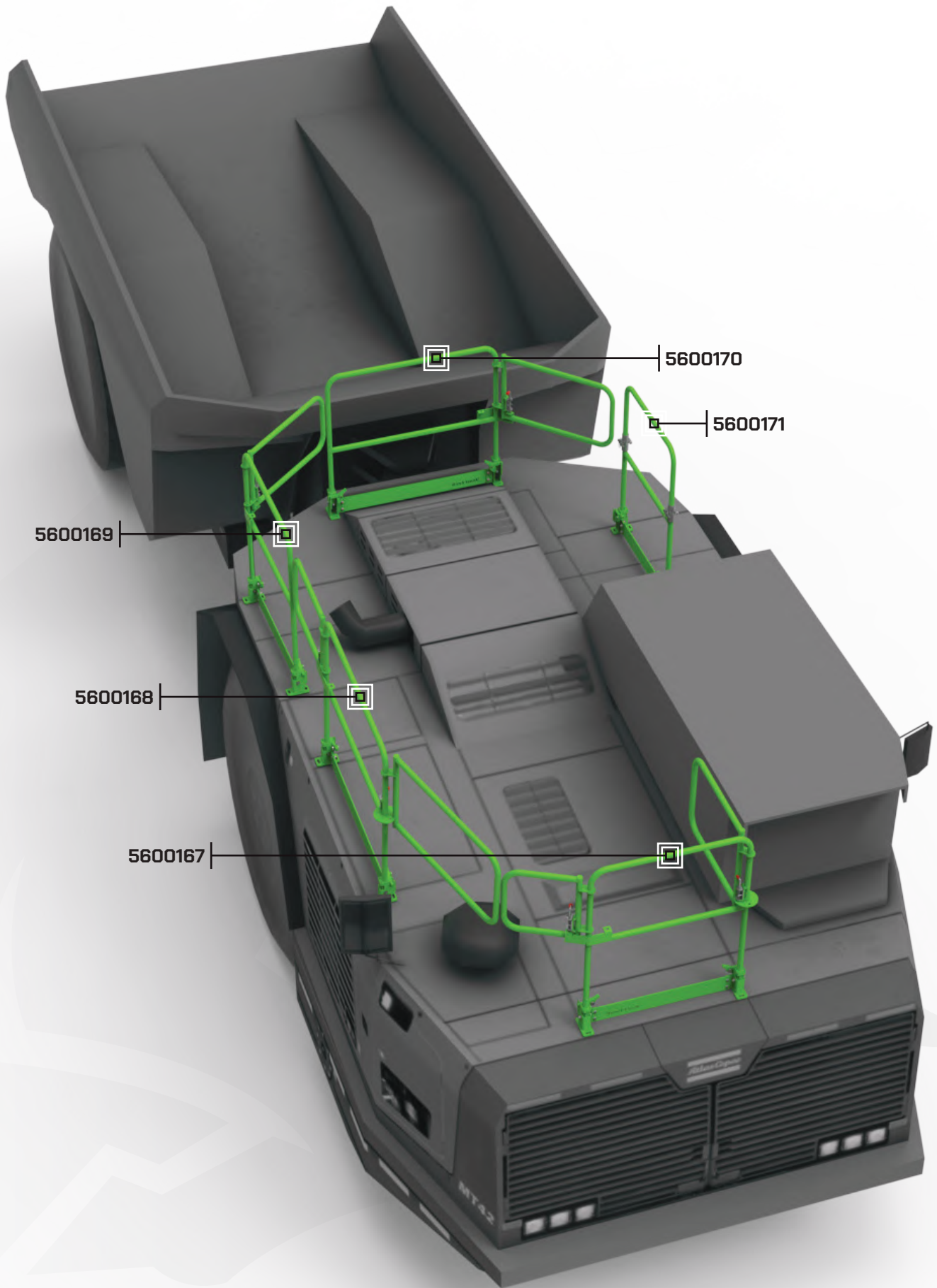
**Kickplate 5600041**

**EPIROC  
MT42 TRUCK**



**ELIMINATING DOWNTIME, MAXIMISING EFFICIENCY.**







**Handrail 5600167**



**Handrail 5600168**



**Handrail 5600169**

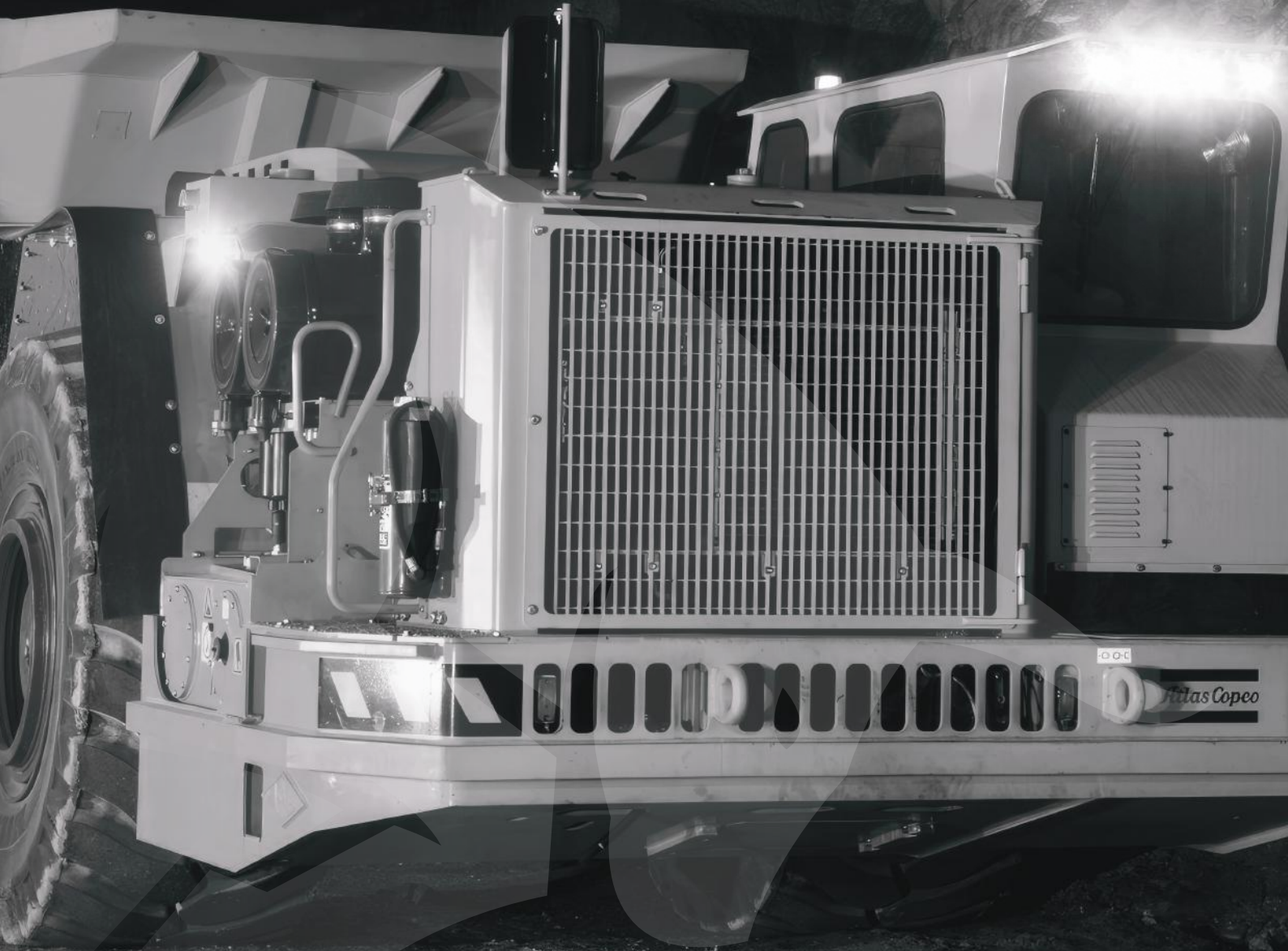


**Handrail 5600170**



**Handrail 5600171**

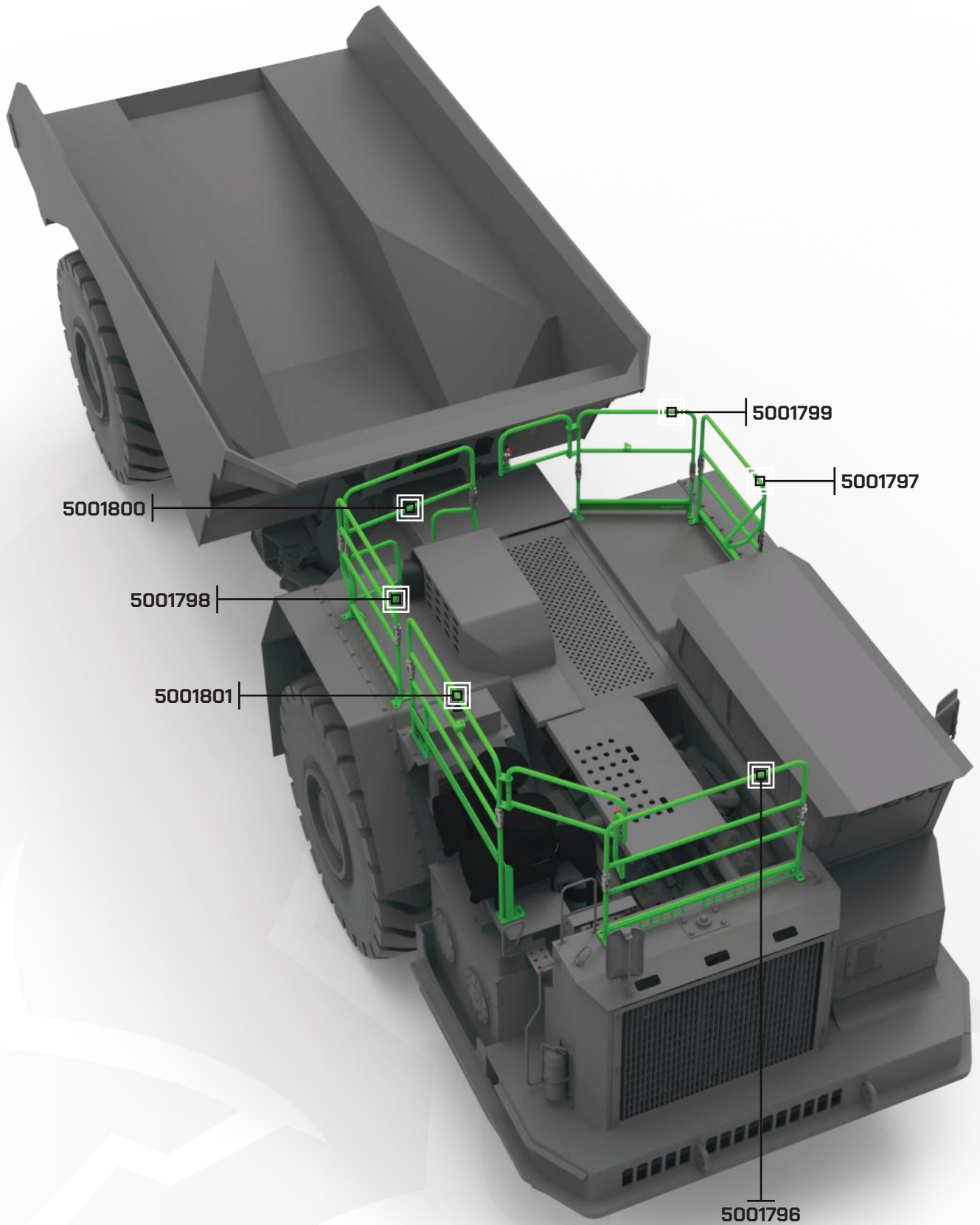
EPIROC  
MT5020 / MT6020 TRUCK

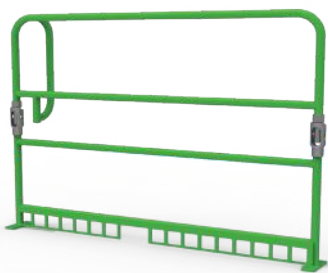


ELIMINATING DOWNTIME, MAXIMISING EFFICIENCY.









**Handrail 5001796**



**Handrail 5001797**



**Handrail 5001798**



**Handrail 5001799**



**Handrail 5001800**



**Handrail 5001801**



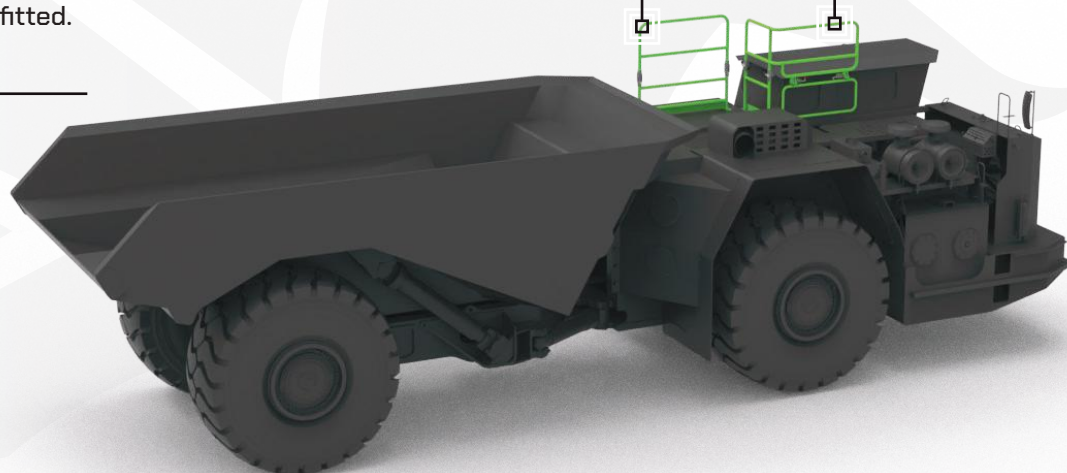
**Handrail 5001930**

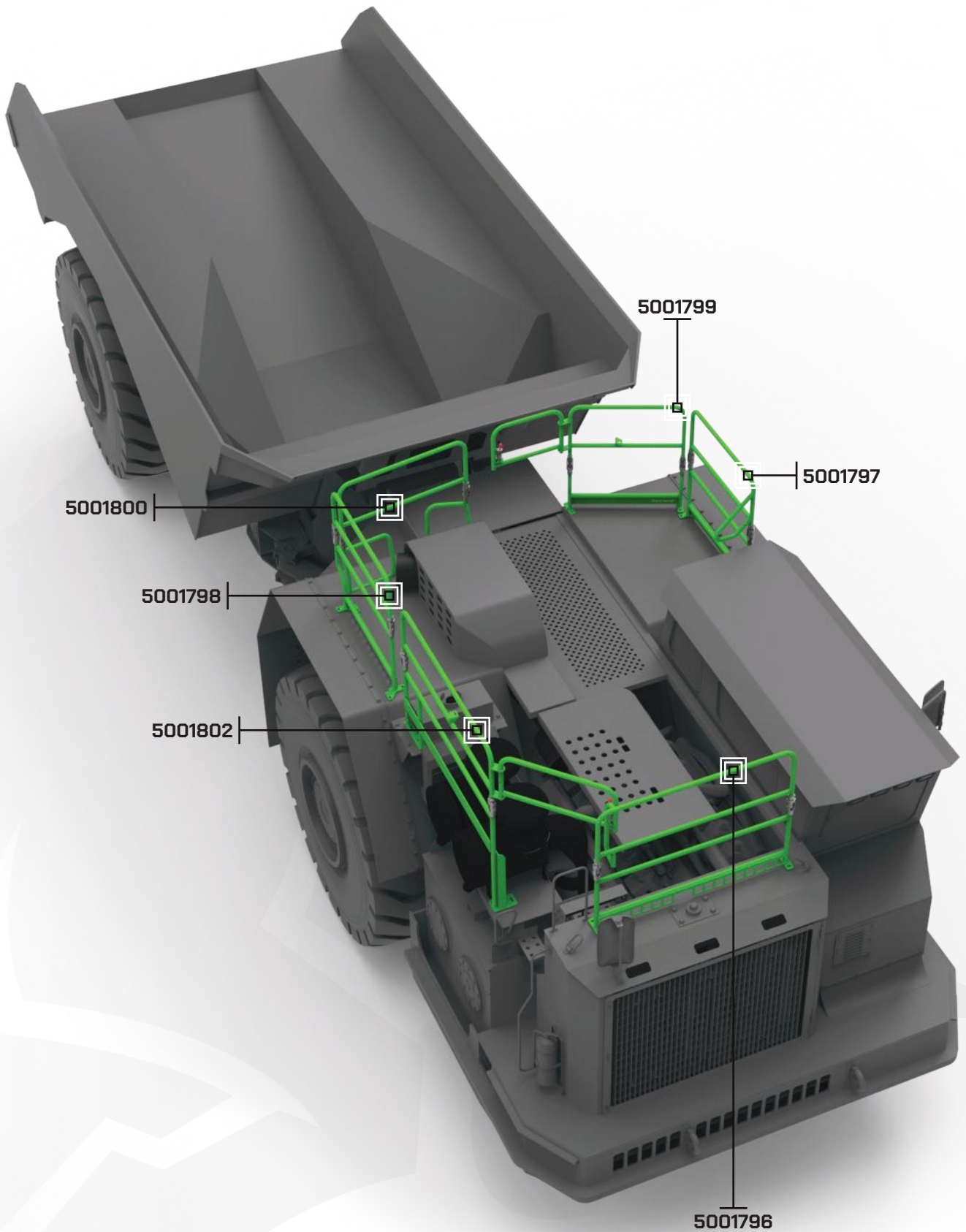
\*This handrail is designed for trucks that have rencool aircon vent fitted.

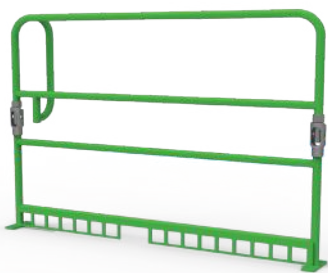
**Replaces 5001799**

**Cab-up Handrail 5001954**

**Tier 1 & 2 Handrail 5001953**







**Handrail 5001796**



**Handrail 5001797**



**Handrail 5001798**



**Handrail 5001799**



**Handrail 5001800**



**Handrail 5001802**



**Handrail 5001930**

\*This handrail is designed for trucks that have rencool aircon vent fitted.

**Replaces 5001799**

**Cab-up Handrail 5001954**

**Tier 1 & 2 Handrail 5001953**



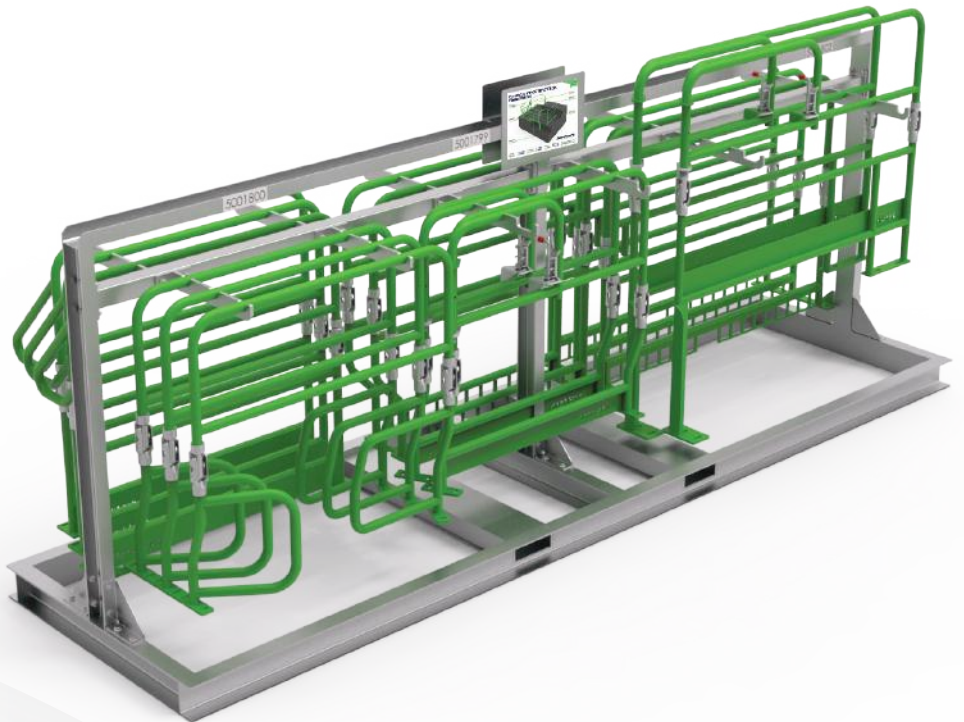
## EPIROC MT6020 - TIER 2 HANDRAIL STORAGE RACK

Part No. 5503985

Epiroc MT6020 Handrail - full set.  
Suits ROX OEM replacement handrails.  
Certified and compliant with Australian Standards. This handrail storage rack allows sites to access replacement handrails quickly and easily, without waiting for freight.

### Features:

- Heavy-duty steel construction
- Heavy-duty hot dip galvanised finish
- All required signage incorporated
- Rack capacity: 3 complete sets
- Forklift slots
- Handrails not included



## EPIROC MT6020 HYDRAULIC RAM CLAMP SET - 1780MM

Part No. 5502784

Our tub lifting ram clamp is designed and engineered for the Epiroc MT5020 and MT6020 underground machines. We designed this solution due to the OEM lockout devices not providing enough height for critical maintenance to the rear axle and diff area. Certified and compliant with Australian Standards.

### Features:

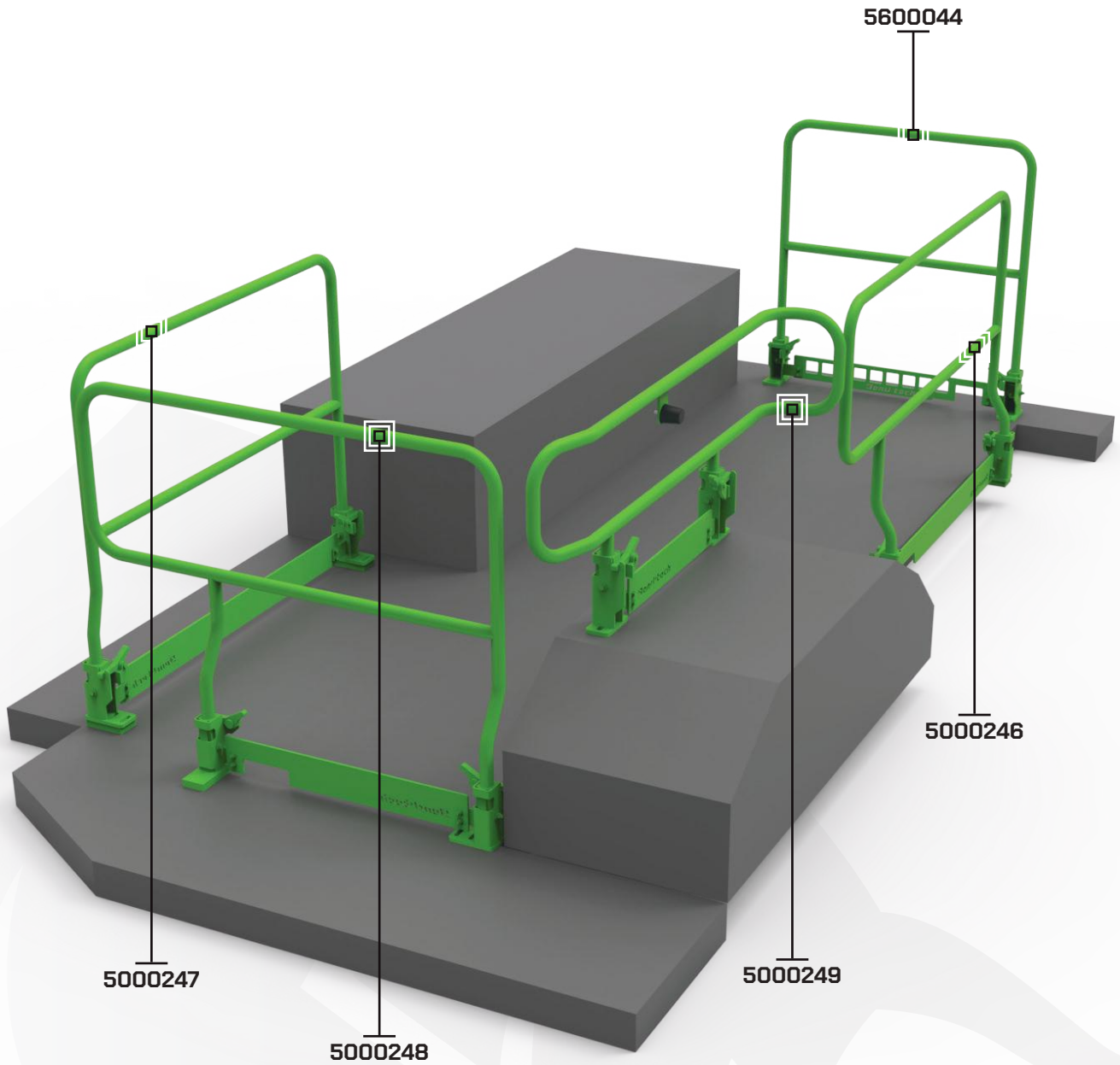
- WLL: 8T each set
- Safe and supported load during maintenance
- Provides the height and safety required for maintenance
- Easy to install and lock into place
- Allows necessary access to the rear axle and diff area
- Load rated handles for hoist install
- Set includes two clamps
- Suits Tier 1 and Tier 2



EPIROC  
MT54 / MT65 TRUCK

ELIMINATING DOWNTIME, MAXIMISING EFFICIENCY.







**Handrail 5600044**



**Handrail 5000246**



**Handrail 5000247**



**Handrail 5000248**



**Handrail 5000249**



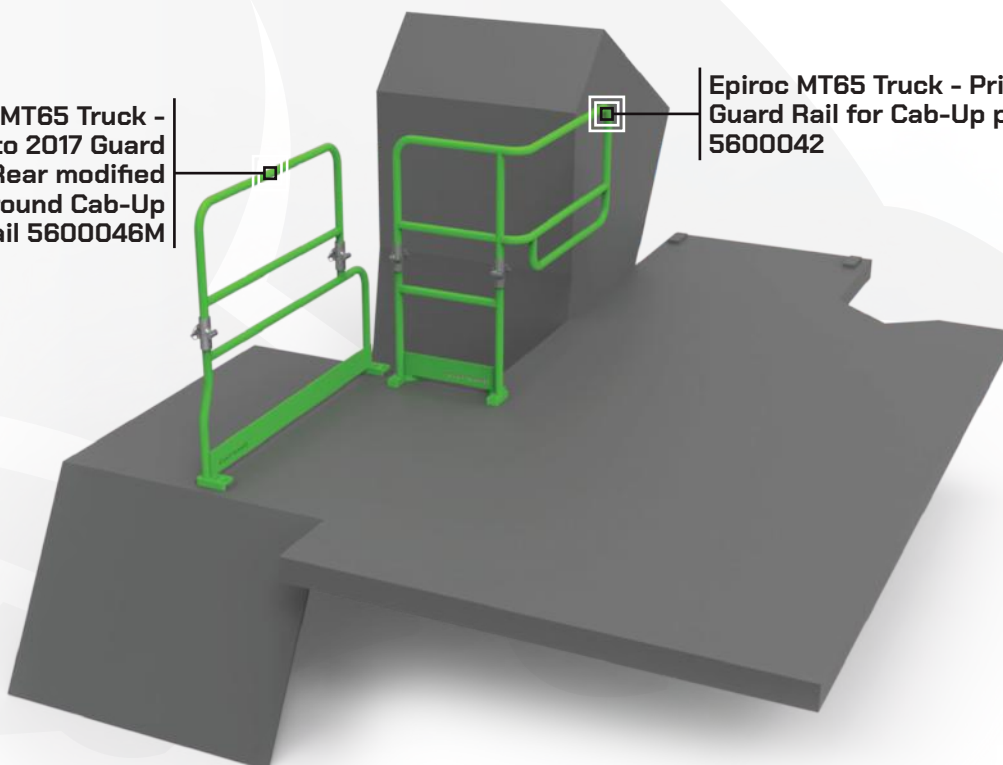
**Grab Rail 1  
5600060**



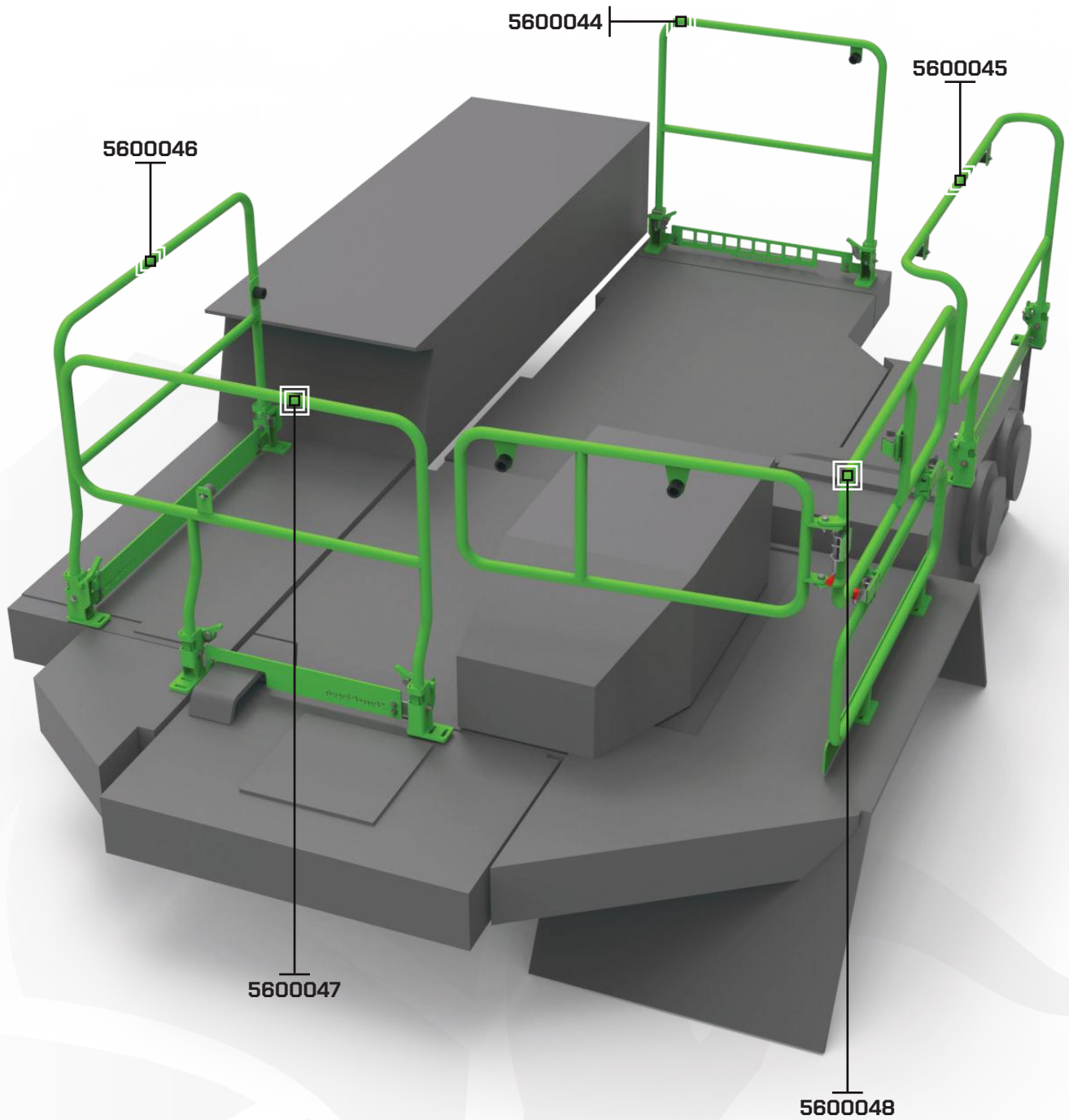
**Grab Rail 3  
5600059**

Epiroc MT65 Truck -  
Prior to 2017 Guard  
Rail LH Rear modified  
to fold around Cab-Up  
Handrail 5600046M

Epiroc MT65 Truck - Prior to 2017  
Guard Rail for Cab-Up position  
5600042









**Handrail 5600044**  
Suits MT65 Truck - Front



**Handrail 5600045**  
Suits MT65 Truck - RH Front



**Handrail 5600046**  
Suits MT65 Truck - LH Rear



**Handrail 5600047**  
Suits MT65 Truck - Rear



**Handrail 5600048**  
Suits MT65 Truck - Exhaust Handrail

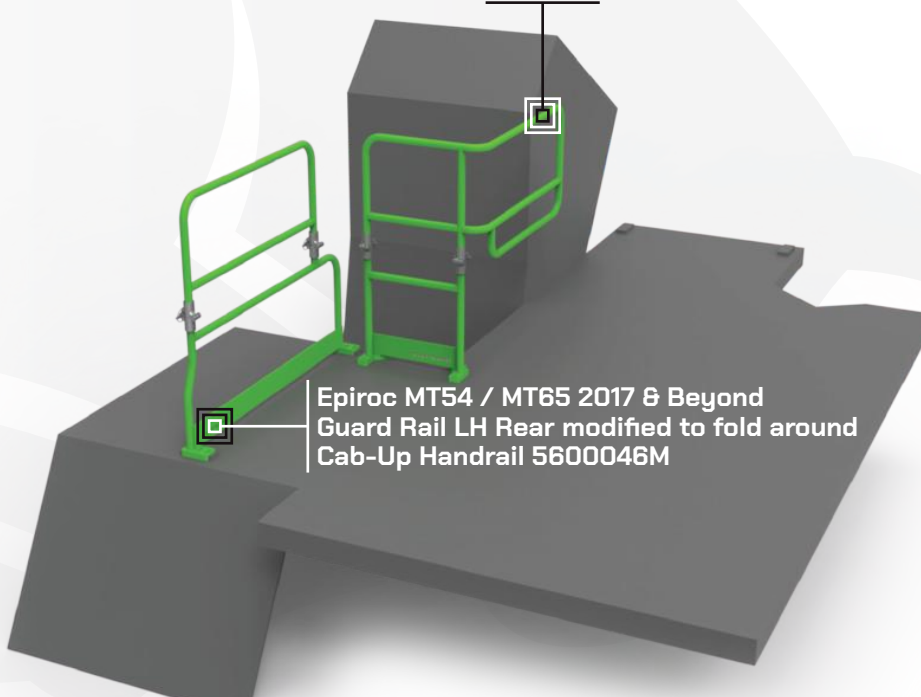


**Grab Rail 1**  
**5600060**



**Grab Rail 3**  
**5600059**

**Epiroc MT54 / MT65 2017 & Beyond  
Guard Rail for Cab-Up position  
5600042**



**Epiroc MT54 / MT65 2017 & Beyond  
Guard Rail LH Rear modified to fold around  
Cab-Up Handrail 5600046M**

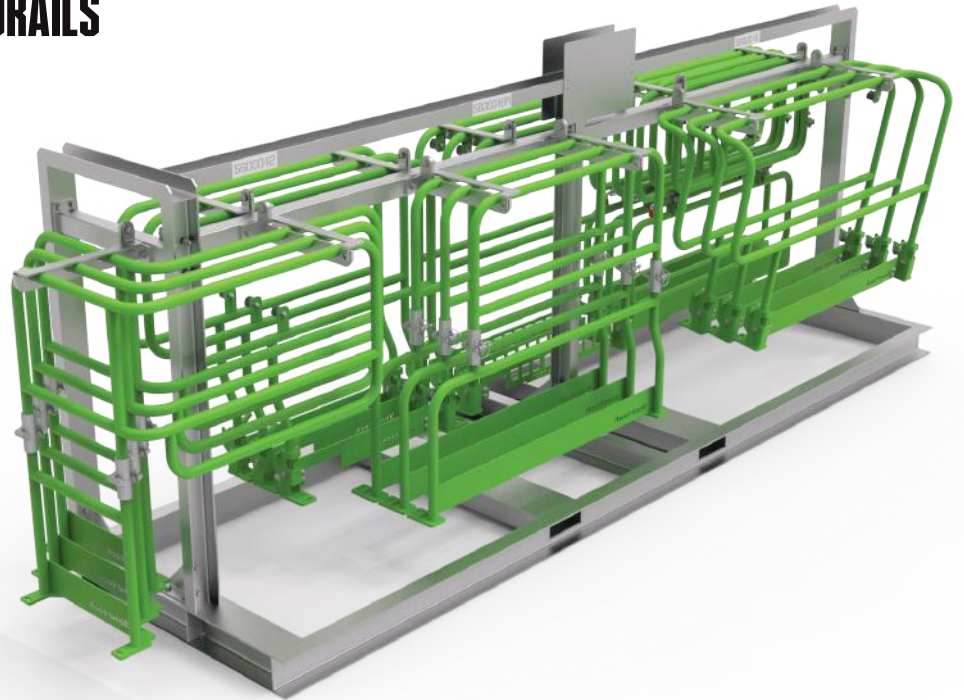
## EPIROC MT54 / MT65 TRUCK HANDRAIL STORAGE RACK ACCOMMODATES CAB-UP HANDRAILS

Part No. 5600816

Epiroc MT54 / MT65 Truck Handrail – full set. Suits ROX OEM replacement handrails. Certified and compliant with Australian Standards. This handrail storage rack allows sites to access replacement handrails quickly and easily, without waiting for freight.

### Features:

- Heavy-duty steel construction
- Heavy-duty hot dip galvanised finish
- All required signage incorporated
- Rack capacity: 3 complete sets
- Accommodates cab-up handrails
- Forklift slots
- Handrails not included



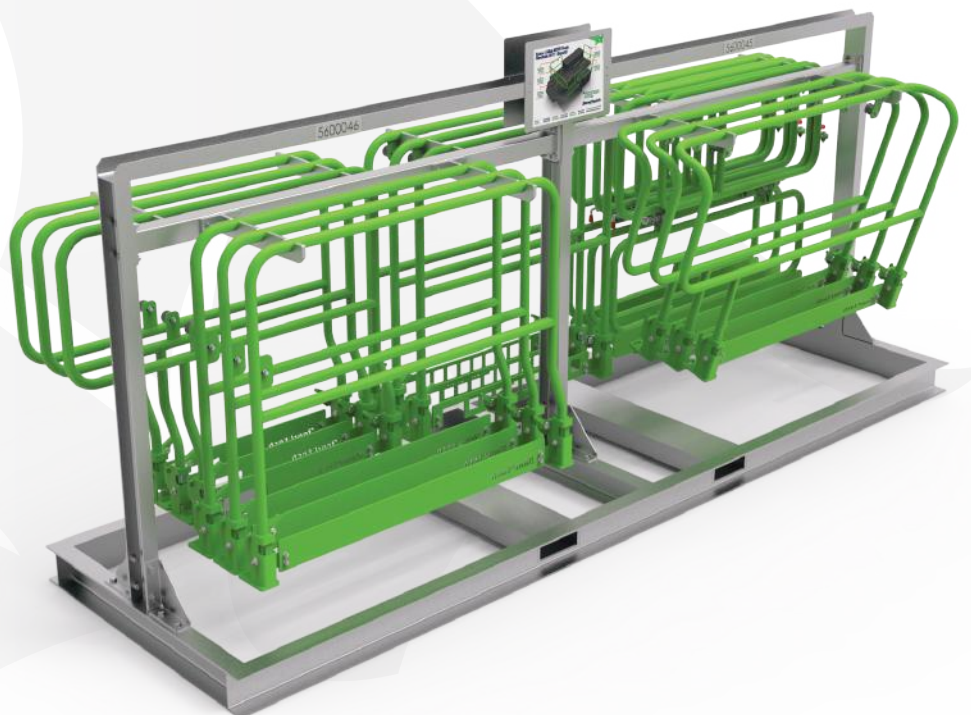
## EPIROC MT65 HANDRAIL STORAGE RACK

Part No. 5502897

Epiroc MT65 2017 and Beyond Handrail - full set. Suits ROX OEM replacement handrails. Certified and compliant with Australian Standards. This handrail storage rack allows sites to access replacement handrails quickly and easily, without waiting for freight.

### Features:

- Heavy-duty steel construction
- Heavy-duty hot dip galvanised finish
- All required signage incorporated
- Rack capacity: 3 complete sets
- Forklift slots
- Handrails not included



## EPIROC MT65 REAR TRAY ACCESS PLATFORM

Part No. 5503288

A platform designed and engineered to provide safe and efficient access to the rear tray of the Epiroc MT65 for maintenance and inspection. Includes jacking stands with wheels to allow for tray height variances. Certified and compliant with Australian Standards.

### Features:

- Full TIG welded, heavy-duty aluminium RHS construction
- WLL: 250kg
- Non-slip, serrated grating for deck and stair treads
- Non-slip nosings on all stair treads
- Self-closing gate
- Swinging side gates for protection when in tray
- Bolt-on handrails
- Suits tray heights between 2.4-2.6m
- Internal tray width of 3.3m minimum



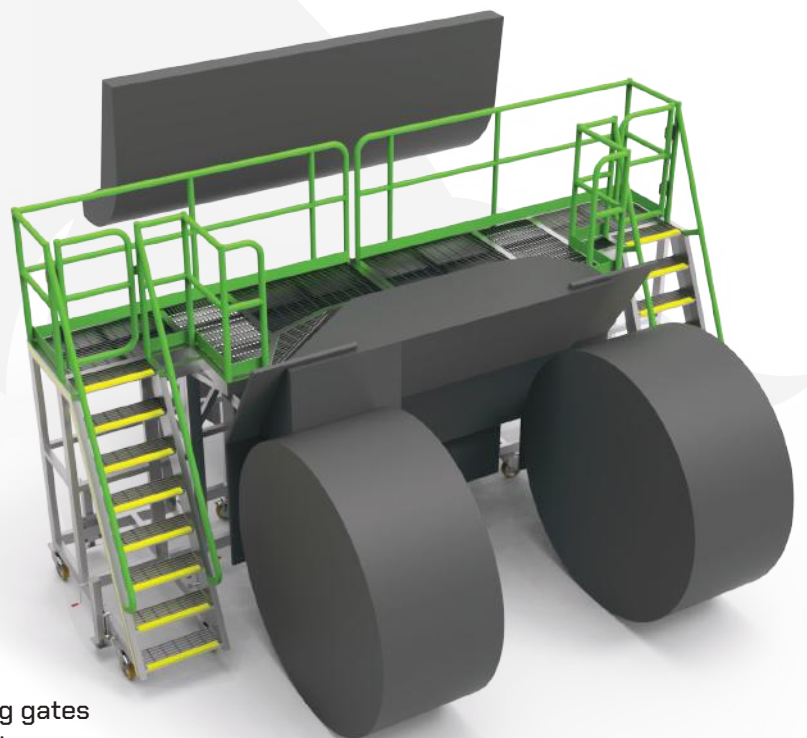
## EPIROC MT65 TRANSMISSION ACCESS PLATFORM

Part No. 5503302

A platform designed and engineered to provide safe and efficient access to the transmission area of the Epiroc MT65 for maintenance and inspection. Certified and compliant with Australian Standards.

### Features:

- Full TIG welded, heavy-duty aluminium RHS construction
- WLL: 250kg per platform
- Platforms split in the middle and latch together
- Non-slip, serrated grating for deck and stair treads
- Non-slip nosings on all stair treads
- High quality castor wheels
- Heavy-duty levelling jack stands
- Self-closing gates
- Forklift slots



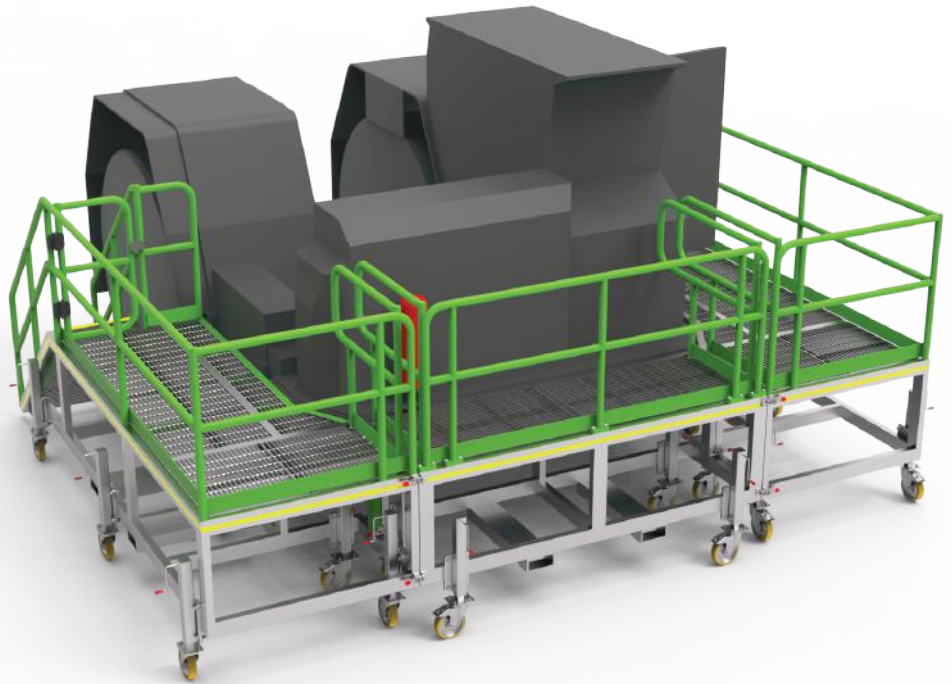
## EPIROC MT65 FRONT ACCESS PLATFORM SET

Part No. 5503190

A platform designed and engineered to provide safe and efficient access around the front of the Epiroc MT65 for maintenance and inspection. Includes jacking stands with wheels to allow for height variances. Certified and compliant with Australian Standards.

### Features:

- Full TIG welded, heavy-duty aluminium RHS construction
- WLL: 600kg
- Platforms split in three parts and latch together
- Non-slip, serrated grating for deck and stair treads
- Non-slip nosings on all stair treads
- Self-closing gates
- Forklift slots



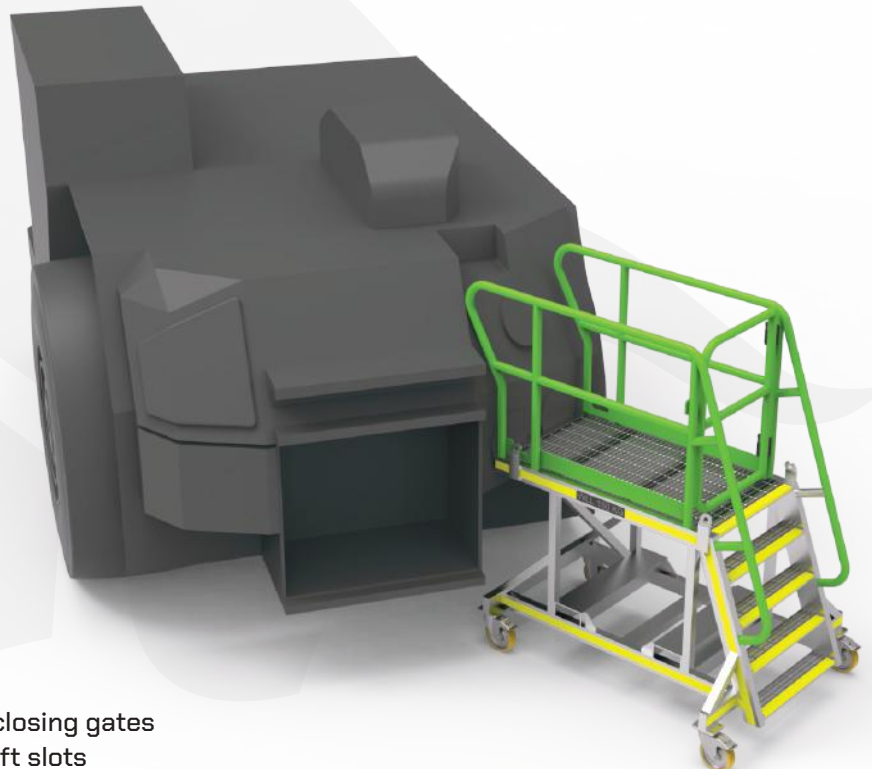
## EPIROC MT65 OIL POINT ACCESS PLATFORM

Part No. 5503982

A platform designed and engineered to provide safe and efficient access to the oil changing point of the Epiroc MT65 for maintenance and inspection. Certified and compliant with Australian Standards.

### Features:

- Full TIG welded, heavy-duty aluminium RHS construction
- WLL: 150kg
- Non-slip, serrated grating for deck and stair treads
- Non-slip nosings on all stair treads
- Safety handrails with kickplates
- High quality castor wheels
- Heavy-duty levelling jack stands
- Self-closing gates
- Forklift slots



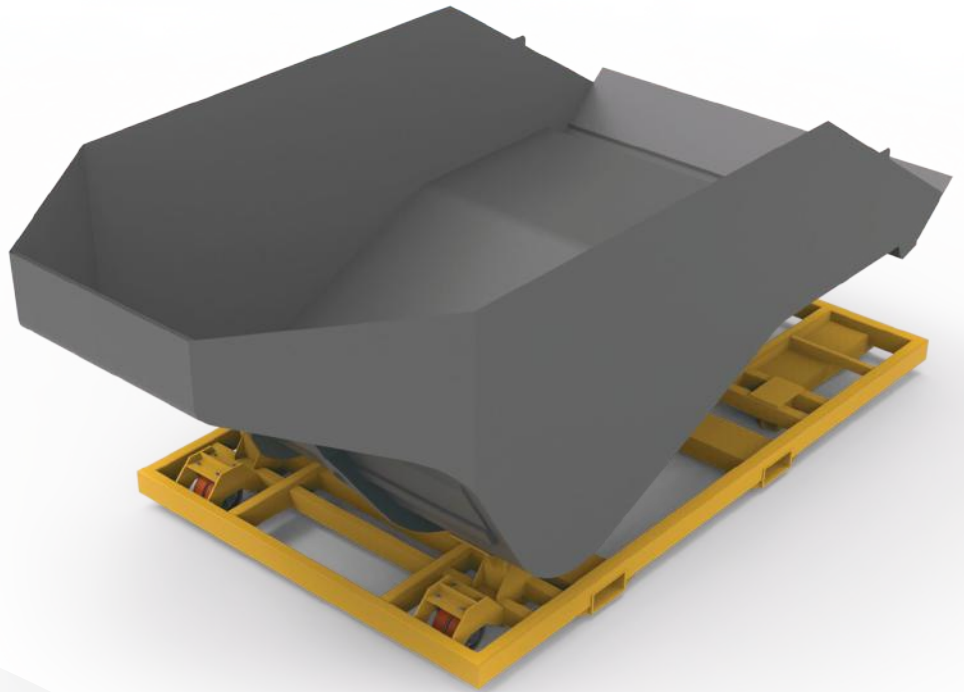
---

**EPIROC MT65  
TRAY TRANSPORT FRAME**

Part No. 5403154

**Features:**

- Heavy-duty steel construction
- WLL: 14T
- Rubber pads on contact surfaces
- Fitted with heavy-duty roller wheels
- Rated tie-down points
- Forklift slots



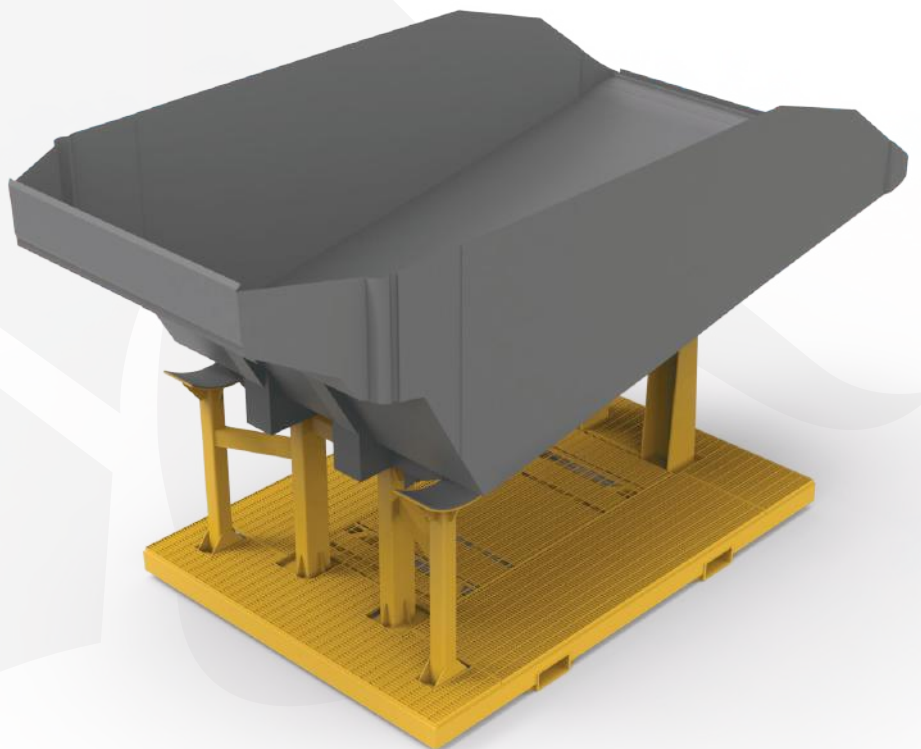
---

**EPIROC MT65-AD60  
TRAY WORKSHOP FRAME**

Part No. 5503154

**Features:**

- Heavy-duty steel construction
- WLL: 14T
- Rubber pads on contact surfaces
- Fitted with heavy-duty roller wheels
- Rated tie-down points
- Forklift slots



## EPIROC MT65 HYDRAULIC RAM CLAMPS

Epiroc MT65 Hydraulic Ram Clamp - 663mm  
Part No. 5507739

Epiroc MT65 Hydraulic Ram Clamp Set - 1,834mm  
Part No. 5503172

Designed and engineered to provide safe lockout for critical maintenance. This design is suited to workshops unable to lockout the tub to it's full height. Certified and compliant with Australian Standards.

### Features:

- Heavy-duty steel construction
- WLL: 16T
- 2 x ram lockout clamps
- Nylon strip on inside to protect cylinder
- Dentent pins to stop support coming off
- Lifting handles & lifting lug



## EPIROC MT65 TUB RAM CLAMP SET

Part No. 5503172

### Features:

- Heavy-duty steel construction
- WLL: 14T
- Set includes 2 clamps
- Suits both MT65 Prior and Beyond 2017 year builds

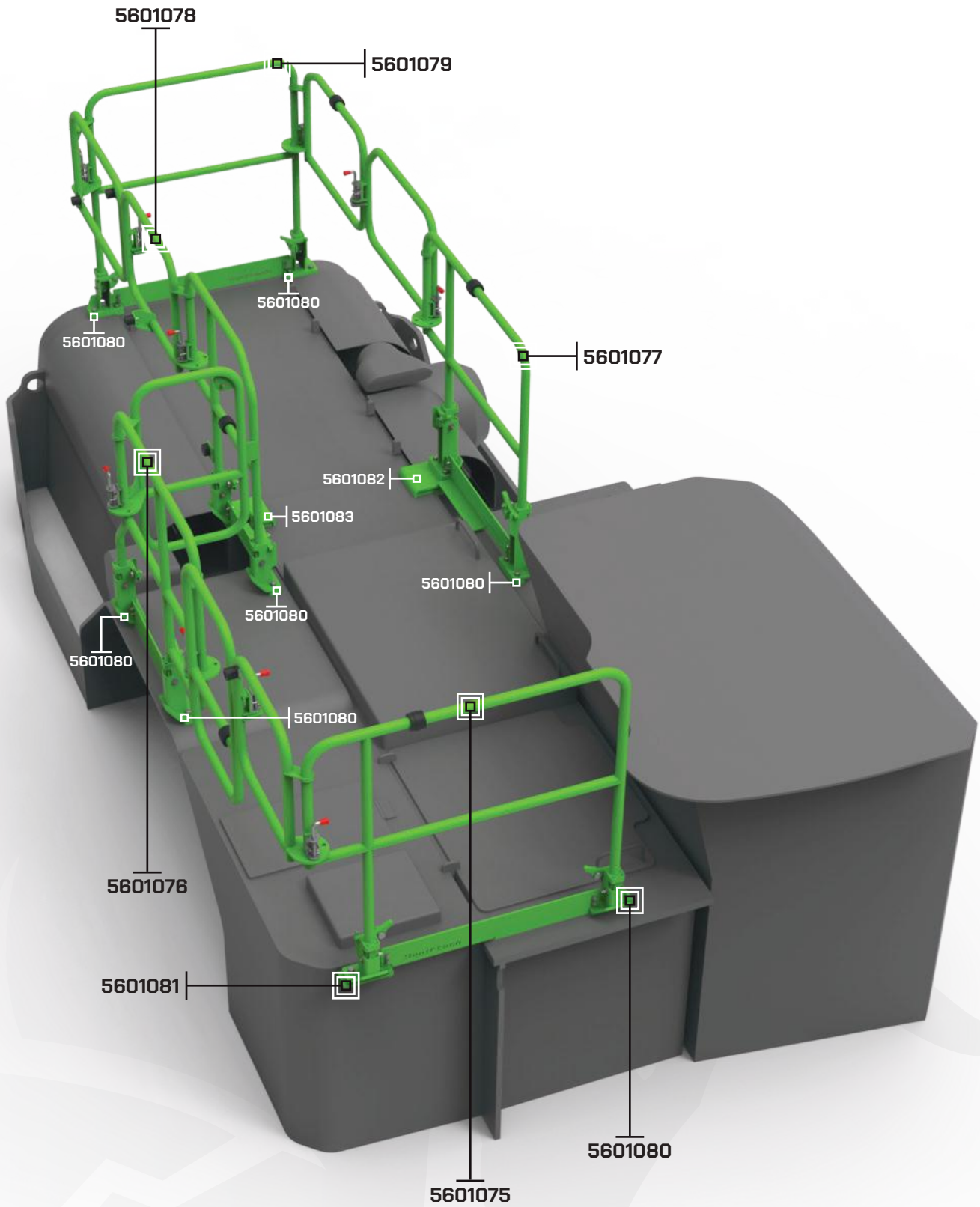
EPIROC  
ST1030 LOADER



ELIMINATING DOWNTIME, MAXIMISING EFFICIENCY.









**Handrail Front 5601075**



**Handrail RH Front 5601076**



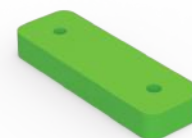
**Handrail LH 5601077**



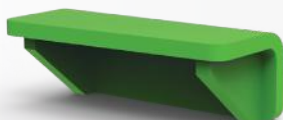
**Handrail RH 5601078**



**Handrail Rear 5601079**



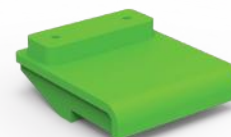
**Mount Plate 1 5601080 [7 Required]**



**Mount Plate 2 5601081 [1 Required]**



**Mount Plate 3 5601082 [1 Required]**



**Mount Plate 4 5601083 [1 Required]**

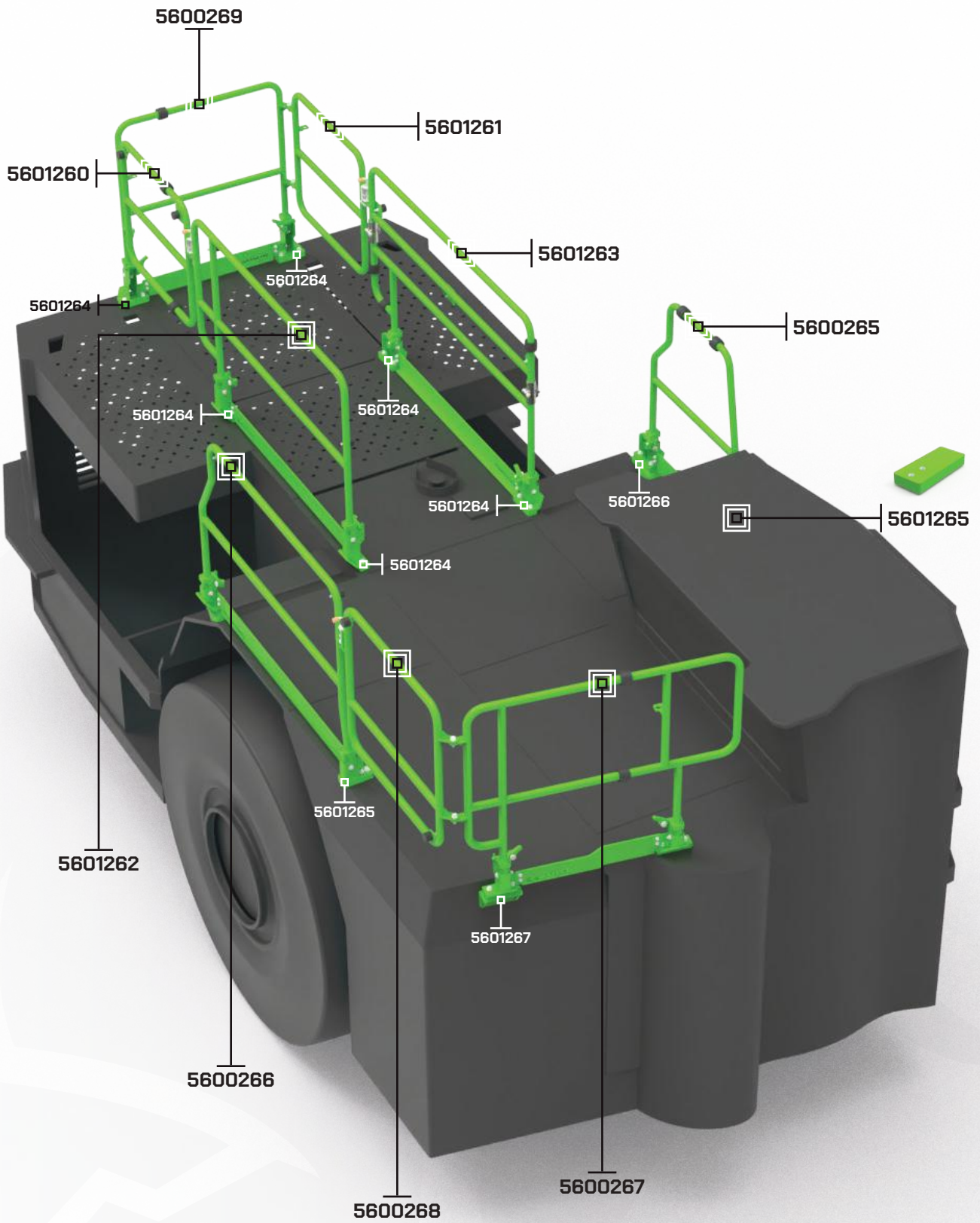
---

**EPIROC  
ST14 LOADER**

---

**ELIMINATING DOWNTIME, MAXIMISING EFFICIENCY.**







**Handrail 5600265**



**Handrail 5600266**



**Handrail 5600267**



**Handrail 5600268**



**Handrail 5600269**



**Handrail 5601260**



**Handrail 5601261**



**Handrail 5601262**



**Handrail 5601263**



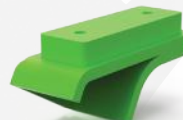
**Mount Plate 1 5601264**

*[6 Required]*



**Mount Plate 2 5601265**

*[2 Required]*



**Mount Plate 3 5601266**

*[1 Required]*



**Mount Plate 4 5601267**

*[1 Required]*

EPIROC  
BOOMER M



EPIROC BOOMER M  
M2C JACKING LEG CLAMPS

Part No. 5503522

Our Jack Leg Clamps are designed and engineered for safe maintenance on the Epiroc underground drills. Provides a safe solution for lockout during maintenance and is certified compliant with Australian Standards.

**Construction:** Heavy-duty steel  
**WLL:** 15T  
**Tare Weight:** 8kg

**Features:**

- Load rated lifting handles
- Hinges and pin locking system
- Easy to install and lock into place
- 4 required per set

EPIROC  
SIMBA E7 DRILL



EPIROC SIMBA E7  
DRILL FRONT JACKSTAND CLAMP

Part No. 5505585

Construction: Heavy-duty steel  
WLL: 30T  
Tare Weight: 8.13kg

Features:

- Load rated lifting handles
- Hinges and pin locking system
- Easy to install and lock into place
- 2 required per set



EPIROC SIMBA E7  
DRILL REAR JACKSTAND CLAMP

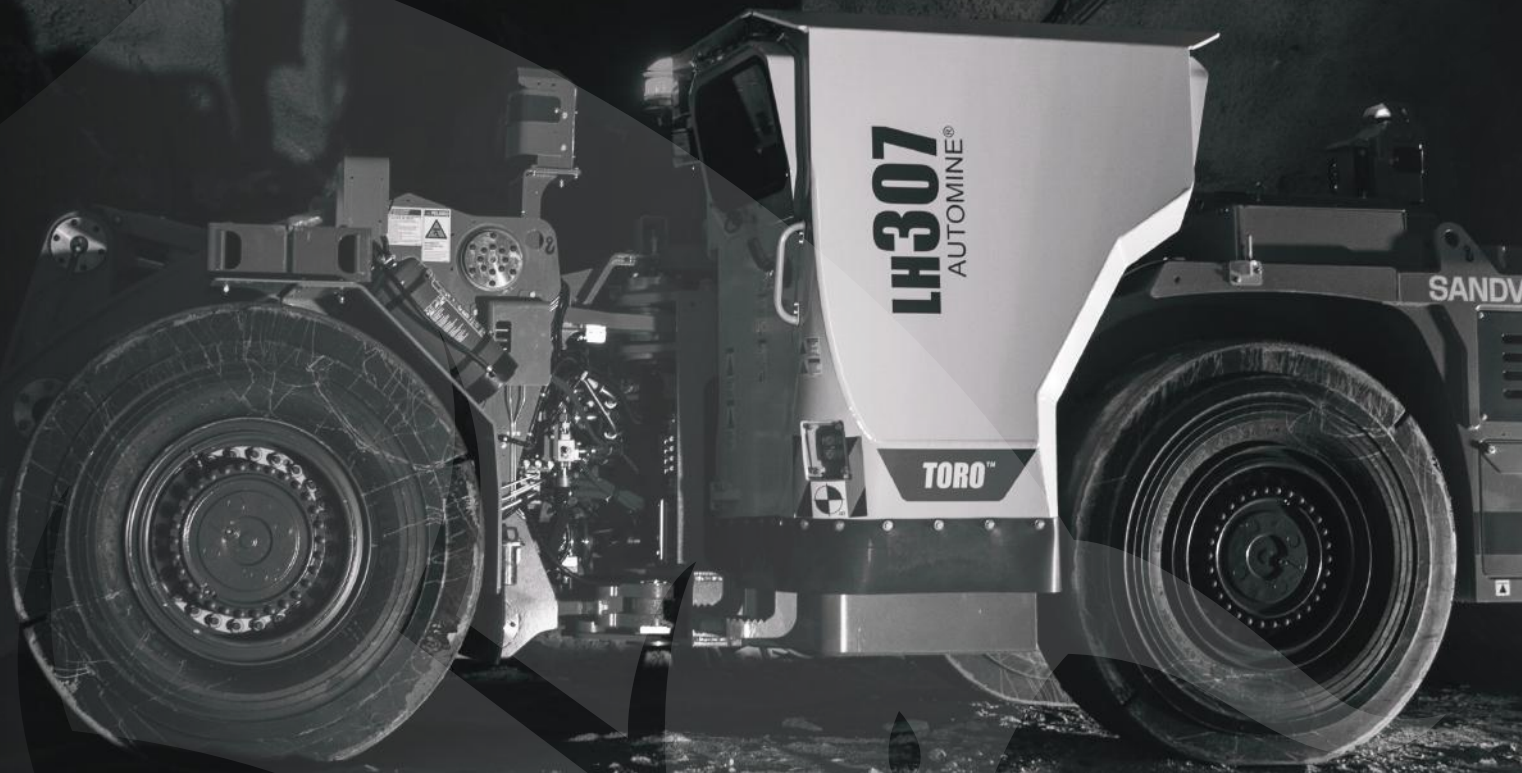
Part No. 5405585

Construction: Heavy-duty steel  
WLL: 30T  
Tare Weight: 12.5kg

Features:

- Load rated lifting handles
- Hinges and pin locking system
- Easy to install and lock into place
- 2 required per set

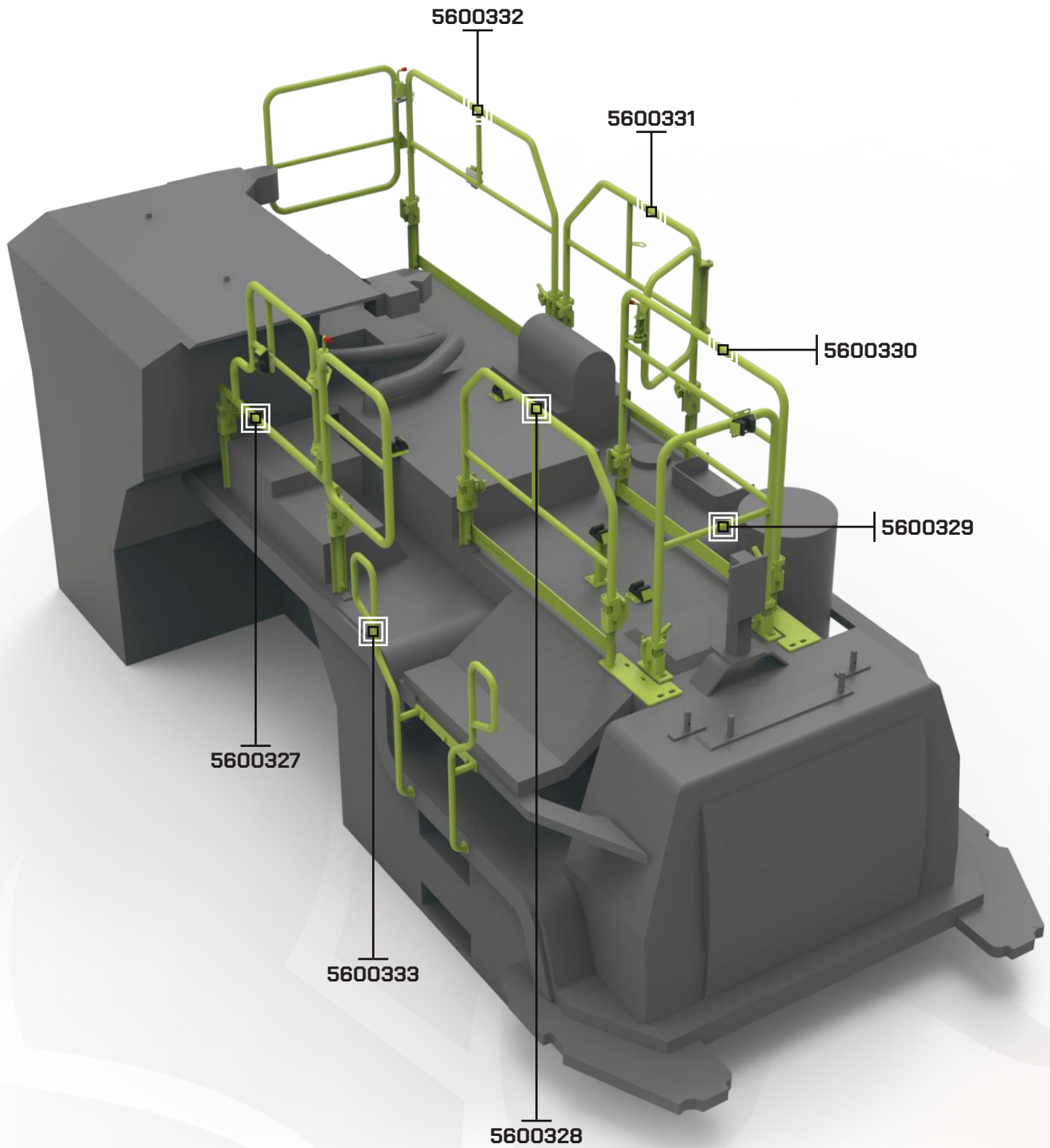
**SANDVIK  
LH307 LOADER**



**ELIMINATING DOWNTIME, MAXIMISING EFFICIENCY.**









**Handrail 5600328**



**Handrail 5600333**



**Handrail with Mount 5600332**



**Handrail 5600331**



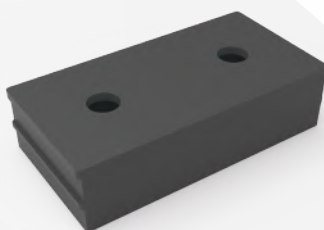
**Handrail 5600330**



**Handrail 5600329**



**Handrail 5600327**



**Loader Bucket Bumper 5600860**

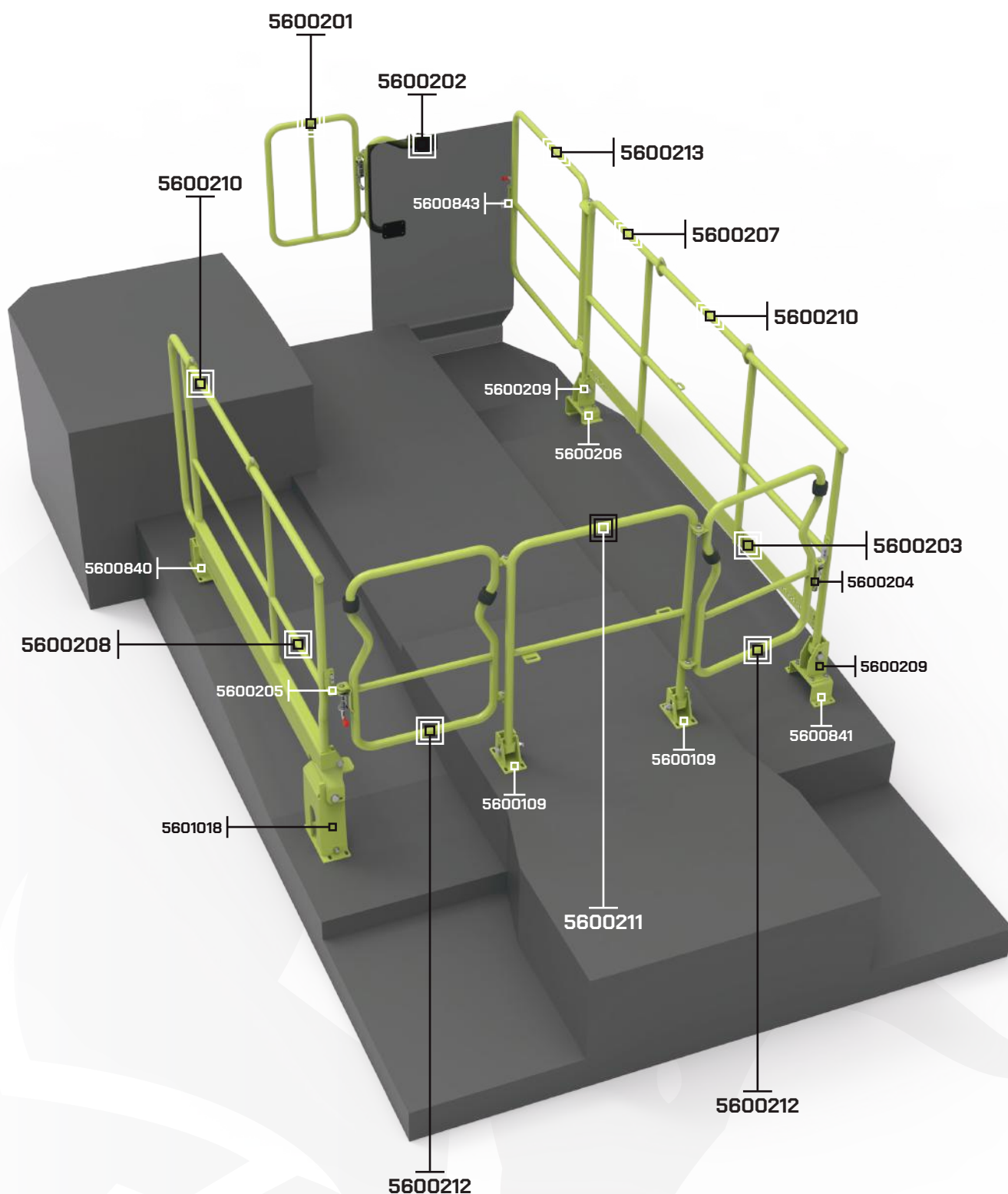
OEM No. 56043968

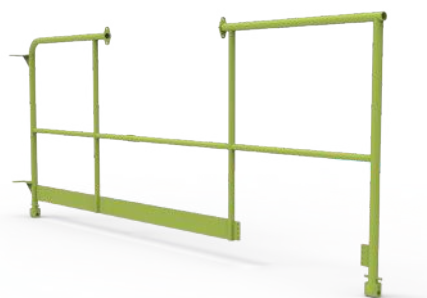
**SANDVIK  
LH514 LOADER**



**ELIMINATING DOWNTIME, MAXIMISING EFFICIENCY.**







**Handrail 5600207**

OEM No. 56027403



**Handrail 5600210** *[2 Required]*

OEM No. 56036363



**Handrail 5600202**

OEM No. BG00612434



**Handrail 5600201**

OEM No. BG00612435



**Handrail 5600211**

OEM No. 56027408



**Handrail 5600208**

OEM No. 56203318



**Handrail 5600212** *[2 Required]*

OEM No. 56027414



**Handrail 5600213**

OEM No. 56027443



**Kickplate 5600203**

OEM No. BG00520886



**Supporting Bracket**

**5600209** *[2 Required]*

OEM No. 56027394



**Bracket 5600206**

OEM No. 56030702



**Connector 5600205**

OEM No. 56210789



**Supporting Block**

**5600109** *[2 Required]*

OEM No. 56027411



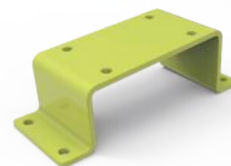
**Actuator Housing 5601018**

OEM No. 56203462



**Supporting Bracket 5600840**

OEM No. 56208595



**Supporting Bracket 5600841**

OEM No. BG00525468



**Supporting Bracket 5600843**



**Supporting Bracket 5600204**

OEM No. 56210816



**Loader Bucket Bumper 5600860**

OEM No. 56043968



## SANDVIK LH514 CAB DOOR

**Part No. 5600398**

Suits Sandvik LH514, LH517 and LH621.  
OEM No. BG00389056

**Features:**

- Direct OEM replacement
- Heavy-duty construction
- Precision manufactured for fast fit up to your machine

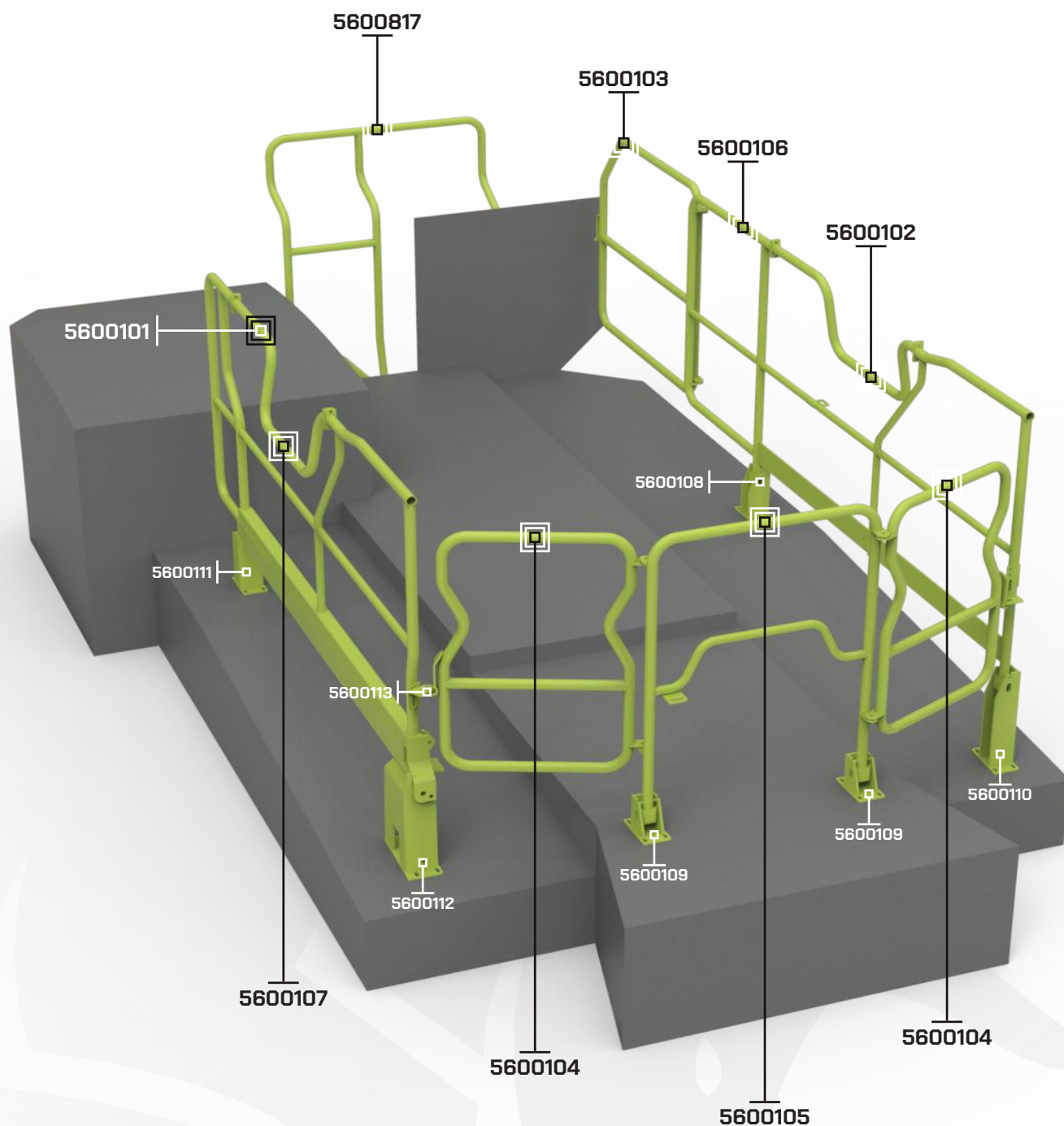


LH517

**SANDVIK  
LH517 LOADER**

**ELIMINATING DOWNTIME, MAXIMISING EFFICIENCY.**

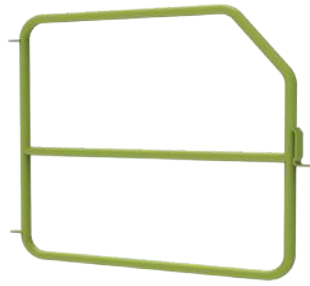








**Handrail 5600817**  
OEM No. 56029394



**Handrail 5600103**  
OEM No. 56039616



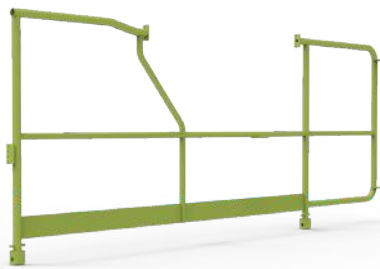
**Handrail 5600101**  
OEM No. 56039607



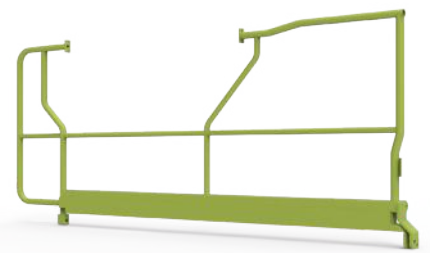
**Handrail 5600102**  
OEM No. 56039606



**Handrail 5600105**  
OEM No. 56039619



**Handrail 5600106**  
OEM No. 56029393



**Handrail 5600107**  
OEM No. 56212200A



**Handrail 5600104** *[2 Req.]*  
OEM No. 56039582



**Supporting Block 5600111**  
OEM No. 56212216



**Supporting Block 5600112**  
OEM No. 56212346



**Supporting Block 5600108**  
OEM No. 56039673



**Supporting Block 5600110**  
OEM No. 56039676



**Supporting Block 5600109** *[2 Required]*  
OEM No. 56027411



**Kit Component 5600113**  
OEM No. 56029744



**Exhaust Rail 5600880**  
OEM No. BG00842904



## SANDVIK LH517 CAB DOOR

Part No. 5600398

Suits Sandvik LH514, LH517 and LH621.  
OEM No. BG00389056

**Features:**

- Direct OEM replacement
- Heavy-duty construction
- Precision manufactured for fast fit up to your machine

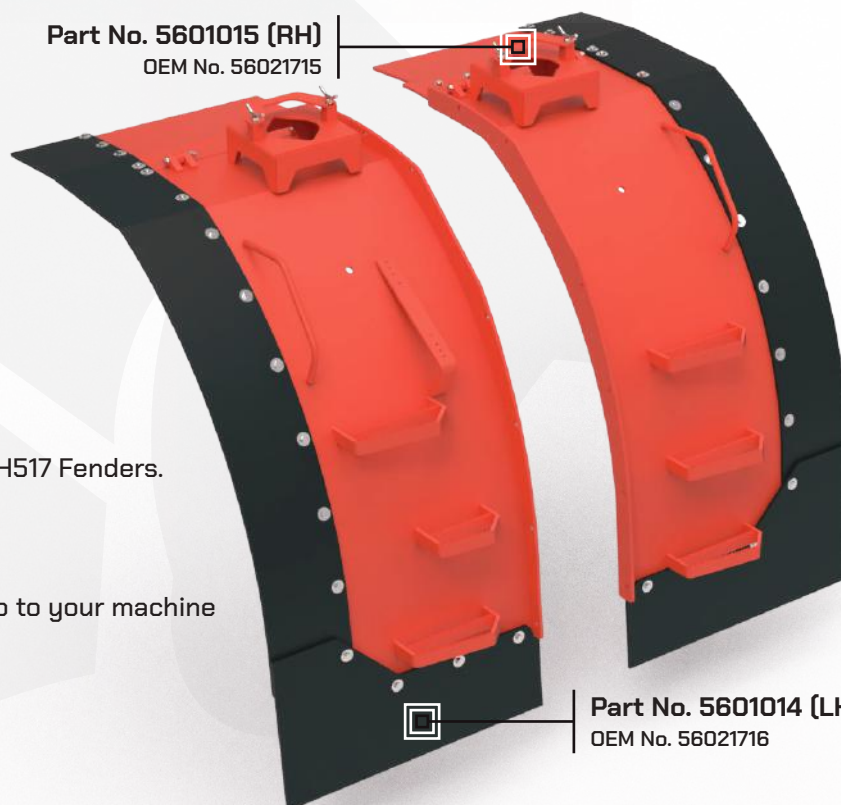
## SANDVIK LH517 FIXED FRONT FENDERS

Part No. 5601015 (RH) / 5601014 (LH)

Direct OEM replacement for Sandvik LH517 Fenders.

**Features:**

- Heavy duty construction
- Precision manufactured for fast fit up to your machine



Part No. 5601015 (RH)  
OEM No. 56021715

Part No. 5601014 (LH)  
OEM No. 56021716

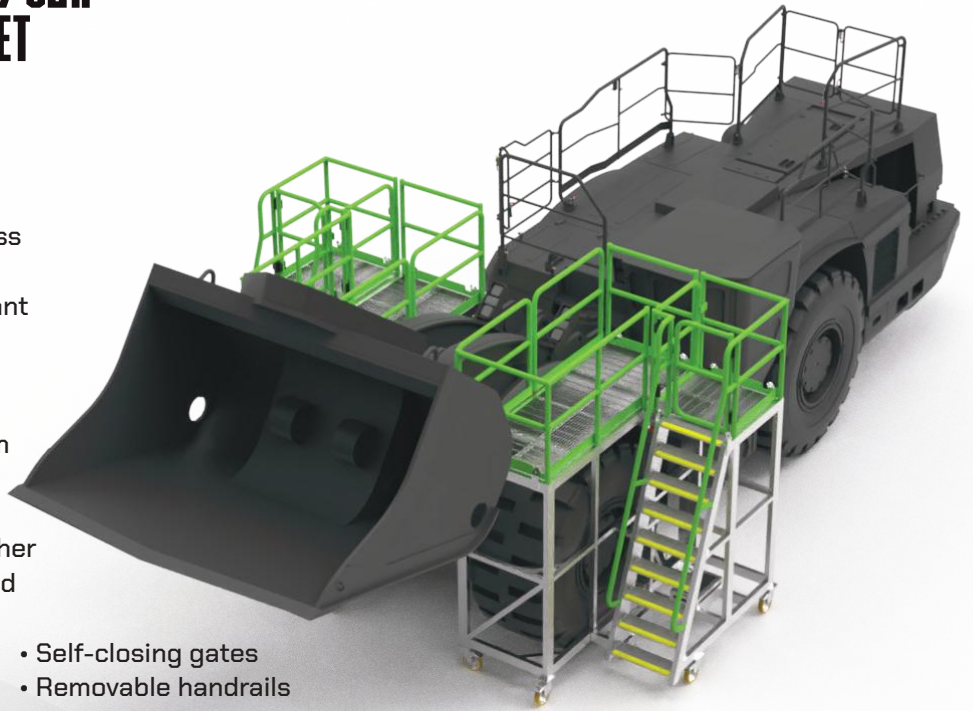
## SANDVIK LH517 / 517i & LH621 / 621i LIFT ARM ACCESS PLATFORM SET

Part No. 5504086

A certified platform designed and engineered for safe and efficient access to the lifting cylinder of the Sandvik LH517 and LH621. Certified and compliant with Australian Standards.

### Features:

- Full TIG welded, heavy-duty aluminium RHS construction
- WLL: 250kg per platform
- 4-piece design, platforms latch together
- Non-slip, serrated grating for deck and stair treads
- Non-slip nosings on all stair treads
- High quality castor wheels
- Heavy-duty levelling jack stands
- Self-closing gates
- Removable handrails
- Lifting lugs



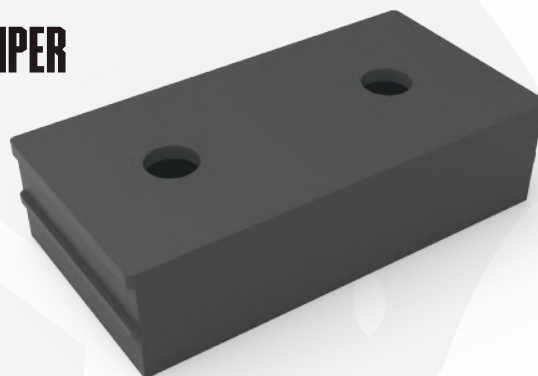
## LOADER BUCKET BUMPER

Part No. 5600860

OEM No. 56043968

### Features:

- Direct OEM replacement
- Polyurethane

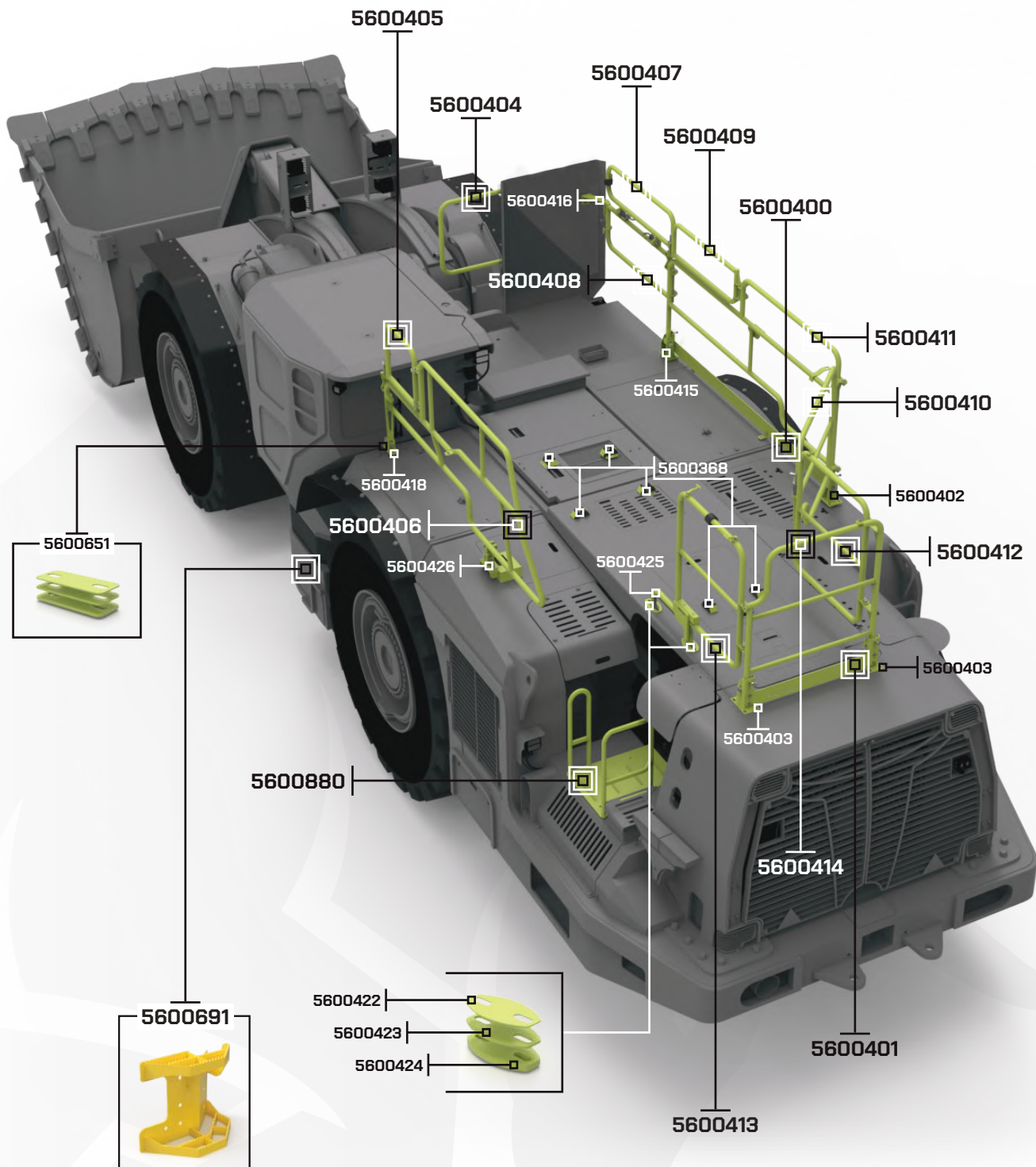


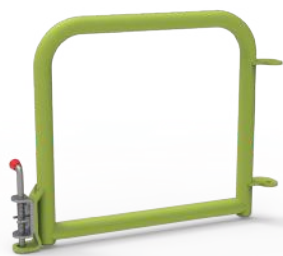
**SANDVIK  
LH517i LOADER**



**ELIMINATING DOWNTIME, MAXIMISING EFFICIENCY.**







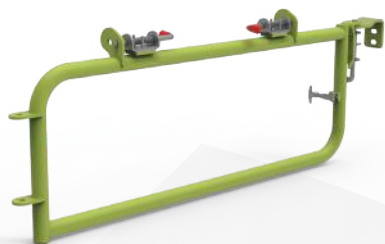
**Handrail 5600405**  
OEM No. BG01038296



**Handrail 5600406**  
OEM No. BG01039194



**Handrail 5600407**  
OEM No. BG01036195



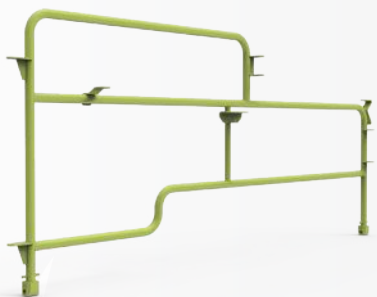
**Handrail 5600408**  
OEM No. BG01036194



**Handrail 5600409**  
OEM No. BG01036192



**Handrail 5600410**  
OEM No. BG00968272



**Handrail 5600411**  
OEM No. BG01033203



**Handrail 5600404**  
OEM No. BG00968274



**Handrail 5600413**  
OEM No. BG00968269



**Handrail 5600414**  
OEM No. BG00968268



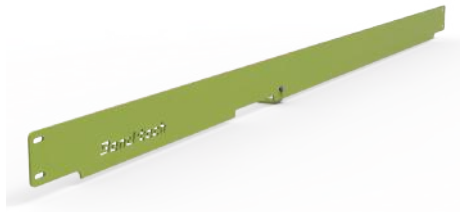
**Handrail 5600412**  
OEM No. BG00968270



**Handrail 5600425**  
OEM No. BG00969097



**Cab Step 5600691**  
OEM No. BG00844987



**Kickplate 5600400**  
OEM No. BG00968275



**Kickplate 5600401**  
OEM No. BG00861354



**Actuator Housing 5600426**  
OEM No. BG00861412



**Bracket & Rubber 5600368**  
*[6 Req.]* OEM No.:  
BG00220538A, BG00210180A



**Exhaust Rail 5600880**  
OEM No. BG00842904



**Mount Plates 5600651**  
OEM No.: BG00860827,  
BG00861425, BG00861356



**2mm Shim 5600422 *[2 Req.]***  
OEM No. BG00968821



**3mm Shim 5600423 *[2 Req.]***  
OEM No. BG00968822



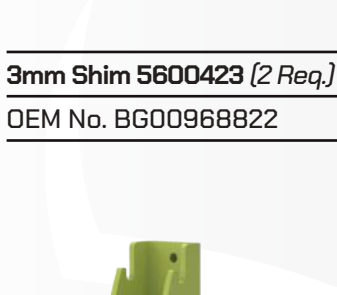
**4mm Shim 5600424 *[2 Req.]***  
OEM No. BG00968823



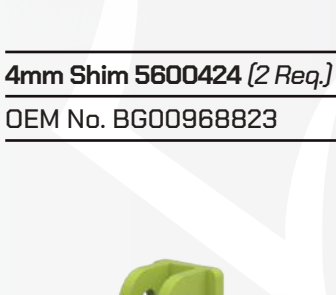
**Bracket 5600416**  
OEM No. BG00832740



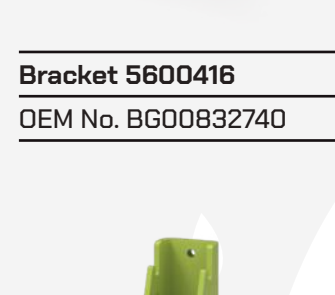
**Support Bracket 5600402**  
OEM No. BG00861407



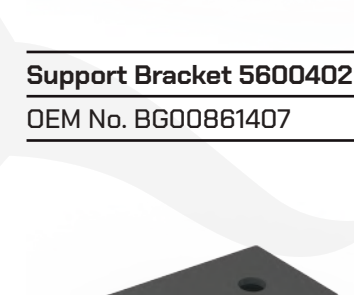
**Support Bracket 5600415**  
OEM No. BG00861409



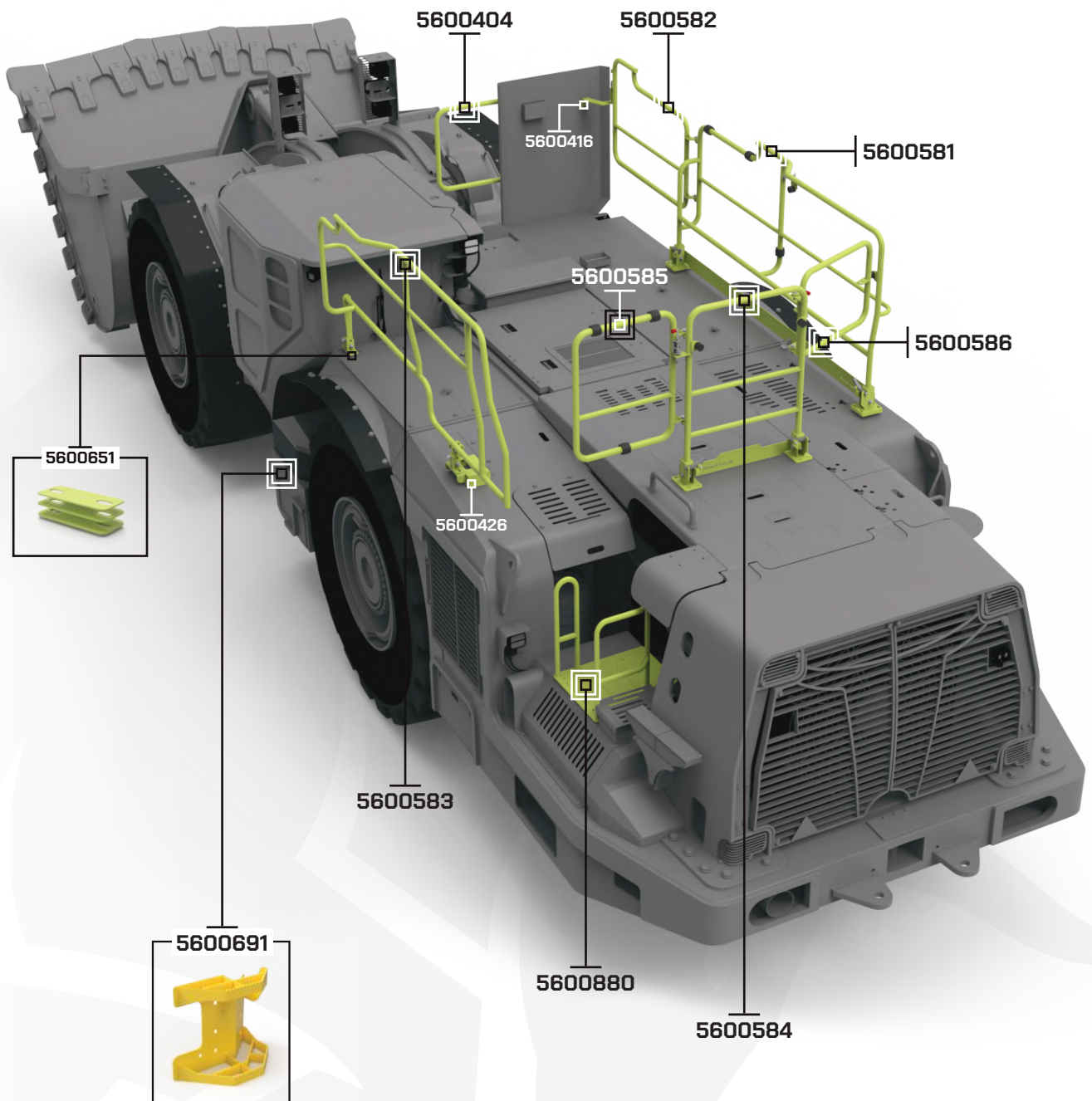
**Bracket Hinge 5600418**  
OEM No. BG00550647



**Support Bracket 5600403**  
OEM No. BG00861406



**Loader Bucket Bumper**  
**5600860**  
OEM No. 56043968







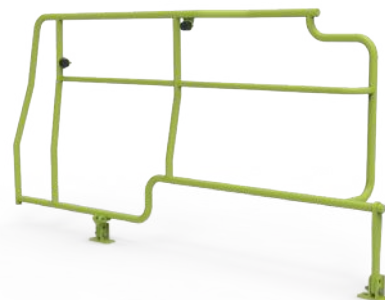
**Right Side Handrail 5600581**

OEM No. BG01240318



**Right Side Gate 5600582**

OEM No. BG01240319



**Left Handrail 5600583**

OEM No. BG01240313



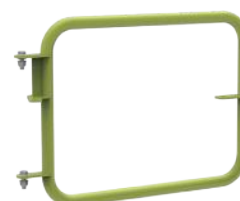
**Rear Handrail 5600584**

OEM No. BG01240329



**Rear Gate 1 5600585**

OEM No. BG01240333



**Rear Gate 2 5600586**

OEM No. BG01240331



**Front Handrail 5600404**

OEM No. BG00968274



**Actuator Housing**

OEM No. BG00861412



**Rail Stopper 5600416**

OEM No. BG00832740



**Mount Plates 5600651**

OEM No.: BG00860827, BG00861425, BG00861356



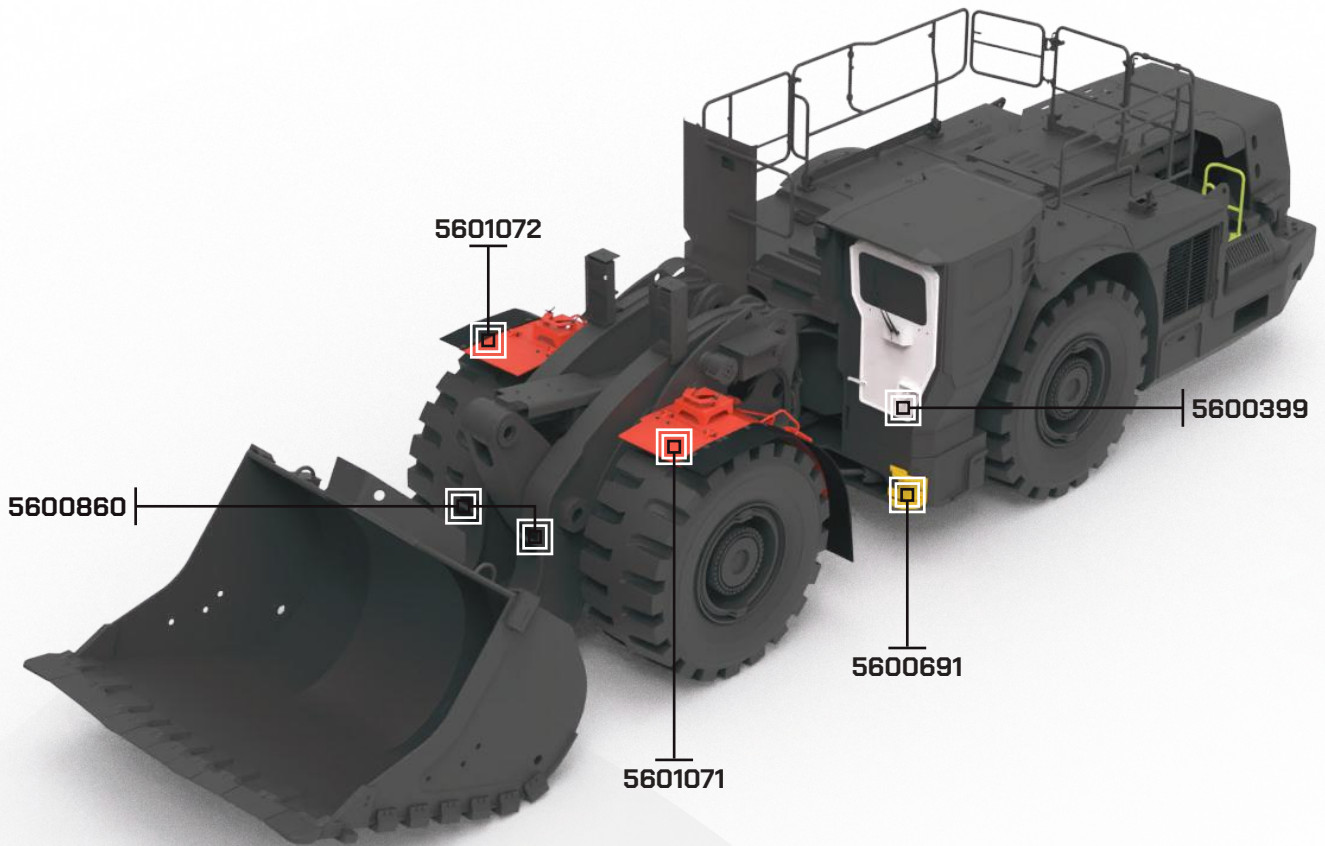
**Exhaust Rail 5600880**

OEM No. BG00842904



**Cab Step 5600691**

OEM No. BG00844987





## SANDVIK LH517i CAB DOOR

Part No. 5600399

Suits Sandvik LH517i and LH621i.  
OEM No. BG00807642

**Features:**

- Direct OEM replacement
- Heavy-duty construction
- Precision manufactured for fast fit up to your machine

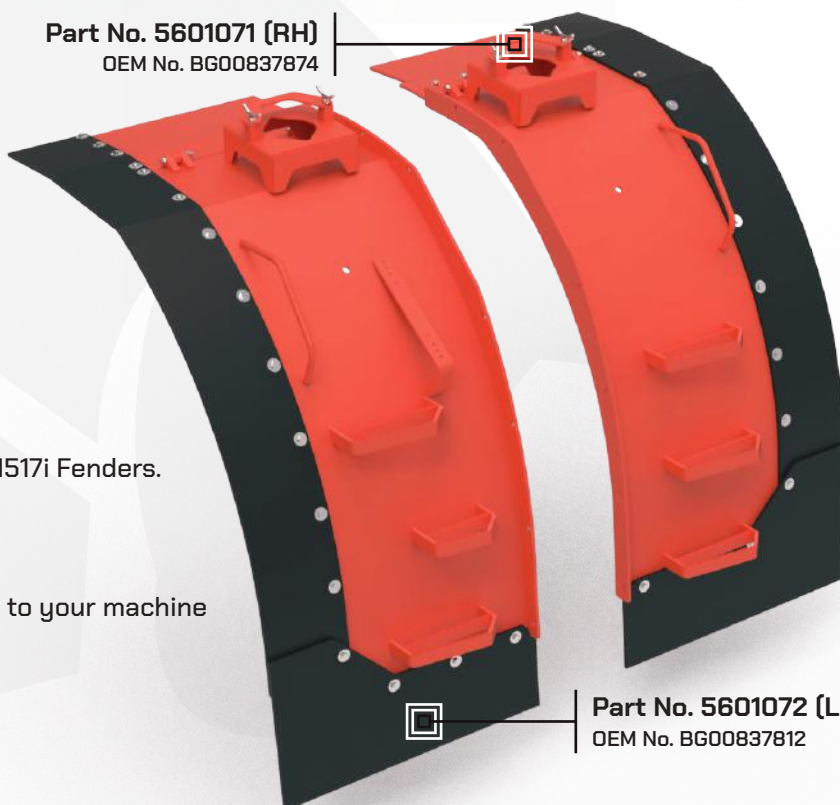
## SANDVIK LH517i FIXED FRONT FENDERS

Part No. 5601071 (RH) / 5601072 (LH)

Direct OEM replacement for Sandvik LH517i Fenders.

**Features:**

- Heavy duty construction
- Precision manufactured for fast fit up to your machine



Part No. 5601071 (RH)  
OEM No. BG00837874

Part No. 5601072 (LH)  
OEM No. BG00837812

## SANDVIK LH517i RADIATOR GRILLE RH

Part No. 5607068

OEM No. BG01010323

**Features:**

- Heavy-duty steel construction
- Hi-spec surface treatment finish in machine colour over a primary zinc coating for enhanced protection
- Stocked and ready for immediate despatch
- Certified and compliant with Australian Standards



## SANDVIK LH517i RADIATOR GRILLE LH

Part No. 5607067

OEM No. BG01010319

**Features:**

- Heavy-duty steel construction
- Hi-spec surface treatment finish in machine colour over a primary zinc coating for enhanced protection
- Stocked and ready for immediate despatch
- Certified and compliant with Australian Standards

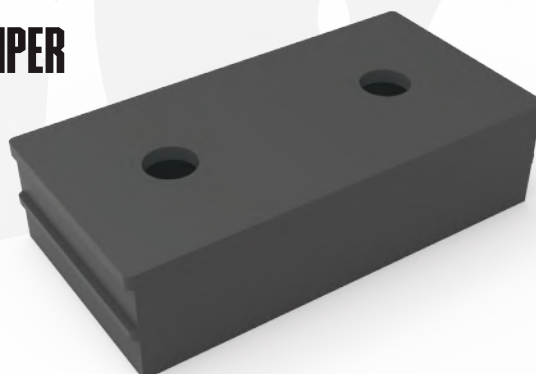
## LOADER BUCKET BUMPER

Part No. 5600860

OEM No. 56043968

**Features:**

- Direct OEM replacement
- Polyurethane



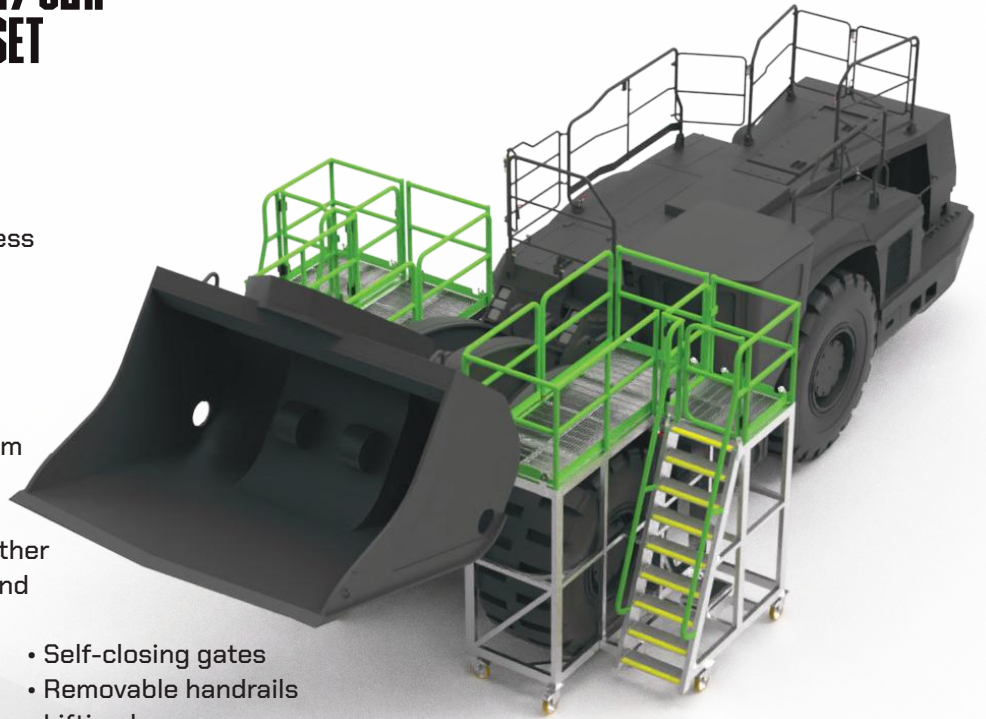
## SANDVIK LH517 / 517i & LH621 / 621i LIFT ARM ACCESS PLATFORM SET

Part No. 5504086

A certified platform designed and engineered for safe and efficient access to the lifting cylinder of the Sandvik LH517/i and LH621/i. Certified and compliant with Australian Standards.

### Features:

- Full TIG welded, heavy-duty aluminium RHS construction
- WLL: 250kg per platform
- 4-piece design, platforms latch together
- Non-slip, serrated grating for deck and stair treads
- Non-slip nosings on all stair treads
- High quality castor wheels
- Heavy-duty levelling jack stands
- Self-closing gates
- Removable handrails
- Lifting lugs



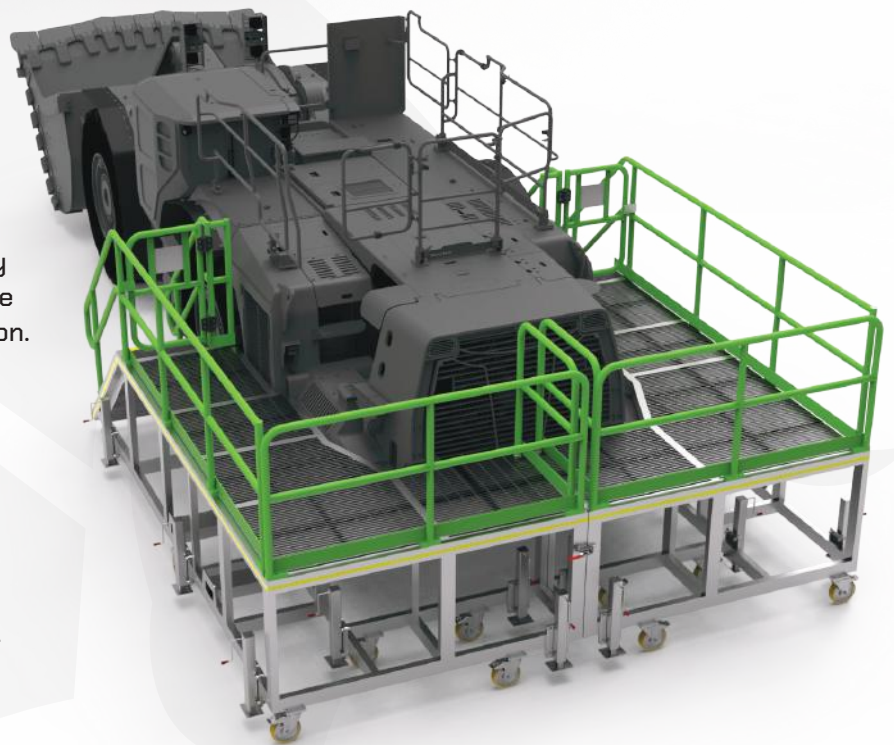
## SANDVIK LH517i REAR ACCESS PLATFORM SET

Part No. 5606502

A platform designed and engineered to safely and efficiently access rear components of the Sandvik LH517i for maintenance and inspection. Certified and compliant with Australian Standards.

### Features:

- Full TIG welded, heavy-duty aluminium RHS construction
- WLL: 250kg per platform
- 2-piece design, platforms latch together
- Non-slip, serrated grating for deck and stair treads
- Non-slip nosings on all stair treads
- High quality castor wheels
- Heavy-duty levelling jack stands
- Self-closing gates
- Bolt-on safety handrails with kickplates
- Forklift slots



---

**SANDVIK LH517i  
HANDRAIL STORAGE RACK – 2018 & BEYOND**

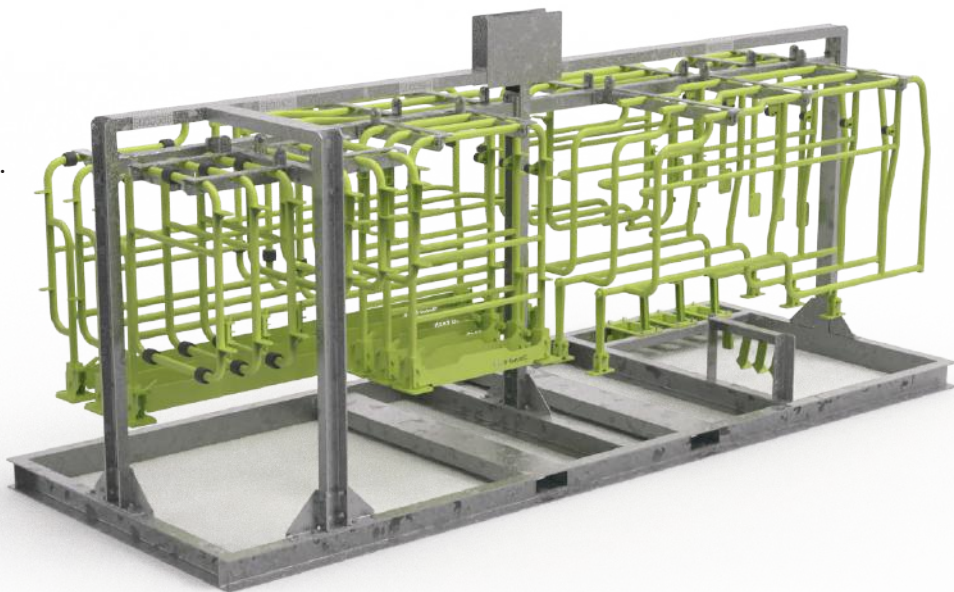
**Part No.** 5600789

A heavy-duty steel storage frame for Sandvik 517i Handrails (2018 & Beyond). Certified and compliant with Australian Standards.

This handrail storage rack allows sites to access replacement handrails quickly and easily, without waiting for freight.

**Features:**

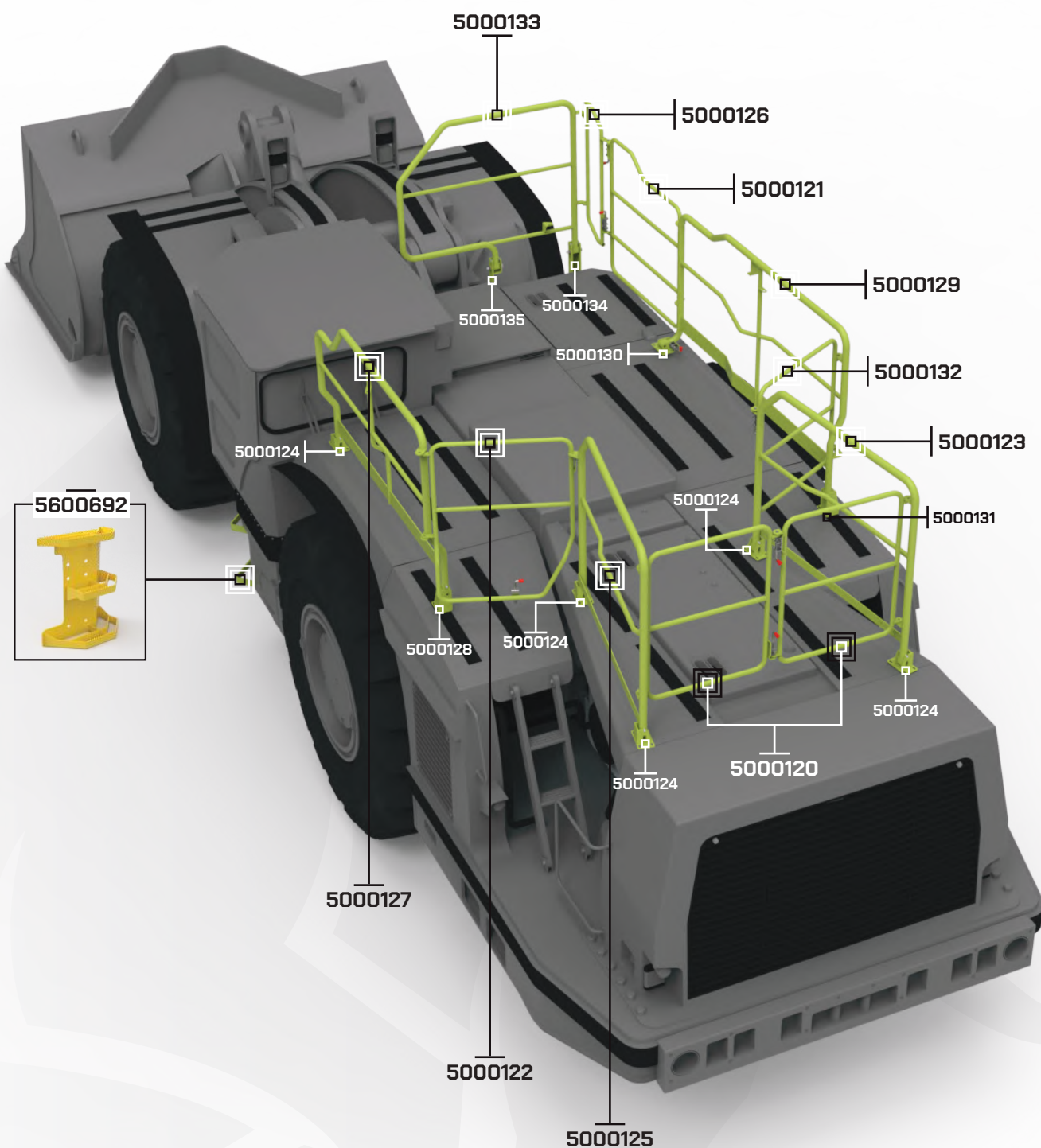
- Heavy-duty steel construction
- Heavy-duty hot dip galvanised finish
- All required signage incorporated
- Rack capacity: 3 complete sets
- Forklift slots
- Handrails not included



**SANDVIK  
LH621 LOADER**

**ELIMINATING DOWNTIME, MAXIMISING EFFICIENCY.**



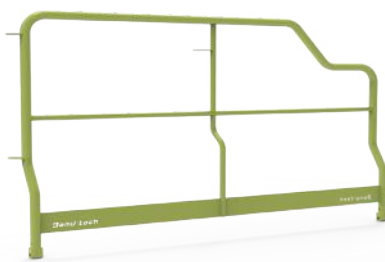






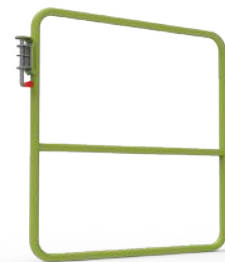
**Handrail 5000120** *[2 Required]*

OEM No. 56018767



**Handrail 5000127**

OEM No. 56018760



**Handrail 5000132**

OEM No. 56018766



**Handrail 5000123**

OEM No. 56018762



**Handrail 5000125**

OEM No. 56018761



**Handrail 5000129**

OEM No. 56018763



**Handrail 5000121**

OEM No. 56018768



**Handrail 5000133**

OEM No. 56018764



**Handrail 5000122**

OEM No. 56018765



**Cab Step 5600692**

OEM No. BG00963981



**Handrail 5000126**

OEM No. 56019161



**Support Bracket**

**5000135**

OEM No. 56018774



**Support Bracket**

**5000134**

OEM No. 56018773



**Support Bracket**

**5000131**

OEM No. 56018771



**Support Bracket**

**5000128**

OEM No. 56018770



**Support Bracket**

**5000130**

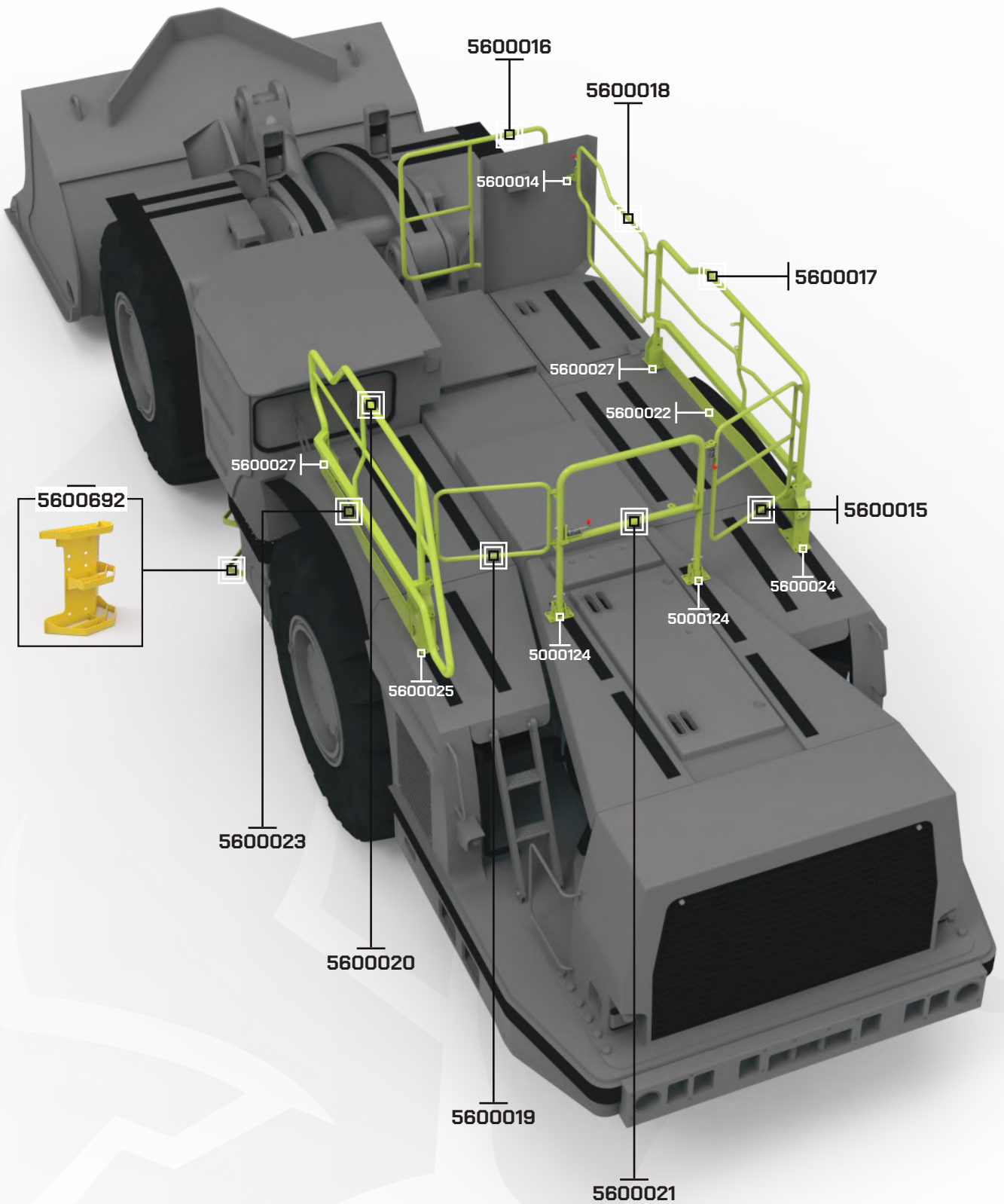
OEM No. 56018772



**Support Bracket**

**5000124** *[5 Required]*

OEM No. 56039676





**Handrail 5600015**

OEM No. BG00311924



**Handrail 5600016**

OEM No. BG00311588



**Handrail 5600017**

OEM No. BG00311830



**Handrail 5600018**

OEM No. BG00311904



**Handrail 5600019**

OEM No. BG00313074



**Handrail 5600020**

OEM No. BG00313079



**Handrail 5600021**

OEM No. BG00353239



**Kickplate 5600022**

OEM No. BG00313347



**Kickplate 5600023**

OEM No. BG00319454



**Support Bracket 5600014**

OEM No. 56039625



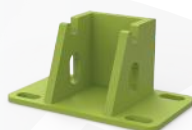
**Support Bracket 5600025**

OEM No. 56212346



**Support Bracket 5600024**

OEM No. BG00312309



**Support Bracket 5000124 [2 Req.]**

OEM No. 56018769



**Support Bracket 5600027 [2 Req.]**

OEM No. 56212345



**Cab Step 5600692**

OEM No. BG00963981

## SANDVIK LH621 - MANUAL HANDRAIL STORAGE RACKS

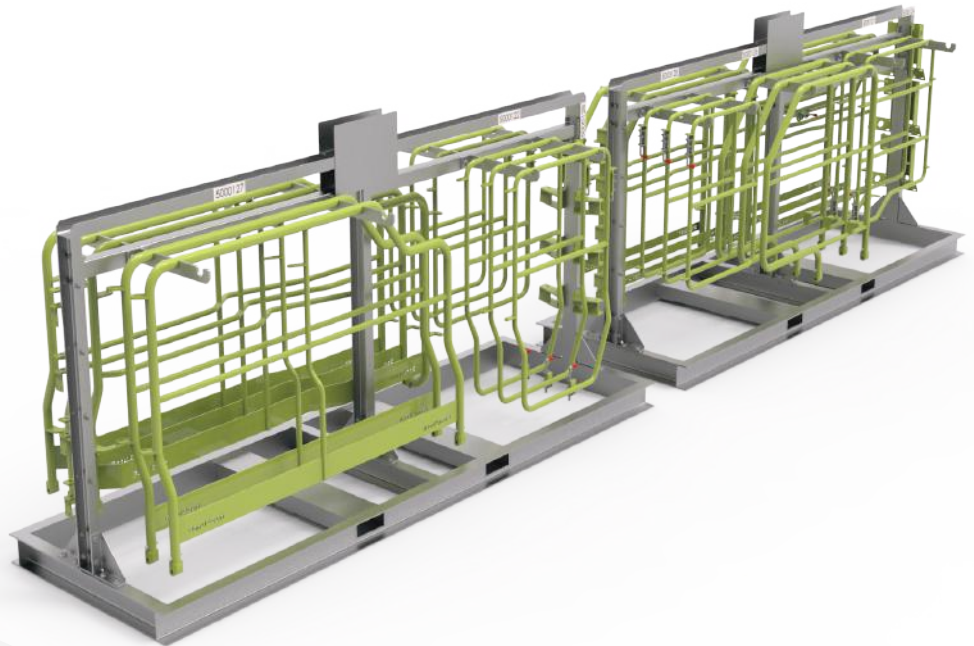
Part No. 5503052

A designed and engineered storage solution to hold a full set of Sandvik LH621 handrails. Certified and compliant with Australian Standards.

This handrail storage rack allows sites to access replacement handrails quickly and easily, without waiting for freight.

### Features:

- Heavy-duty steel construction
- Heavy-duty hot dip galvanised finish
- All required signage incorporated
- Rack capacity: 3 complete sets
- Forklift slots
- Handrails not included



## SANDVIK LH621 - MANUAL HANDRAIL STORAGE RACKS

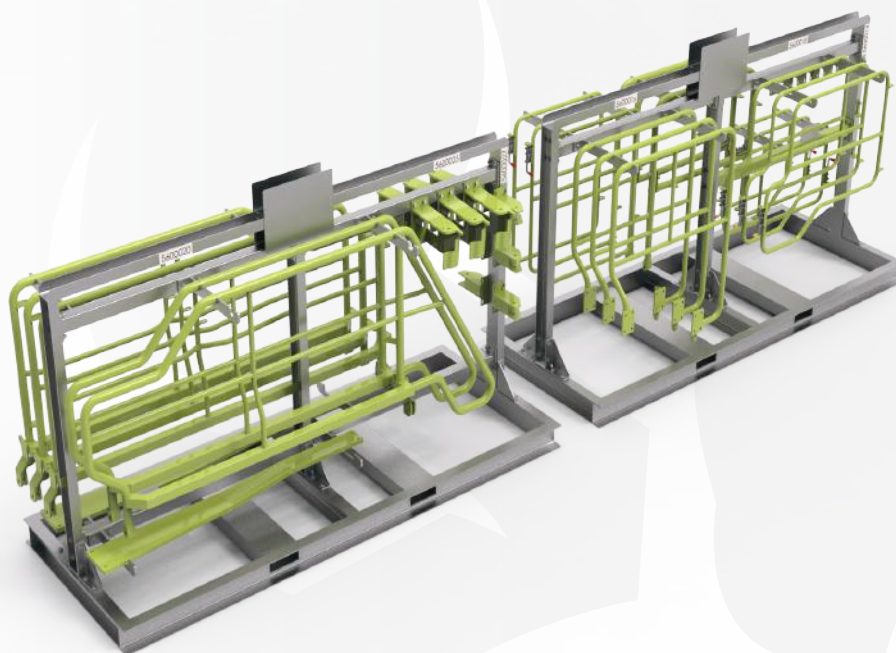
Part No. 5503036

A designed and engineered storage solution to hold a full set of Sandvik LH621 hydraulic handrails. Certified and compliant with Australian Standards.

This handrail storage rack allows sites to access replacement handrails quickly and easily, without waiting for freight.

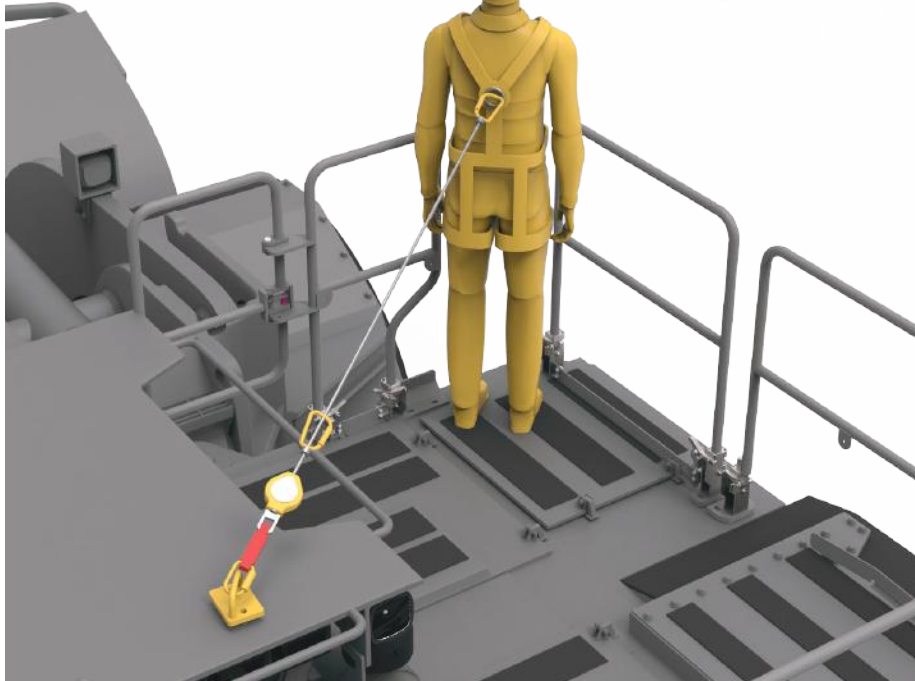
### Features:

- Heavy-duty steel construction
- Heavy-duty hot dip galvanised finish
- All required signage incorporated
- Rack capacity: 3 complete sets
- Forklift slots
- Handrails not included



**Includes:**

- Carabiners
- Tether point
- Retractable fall arrest block



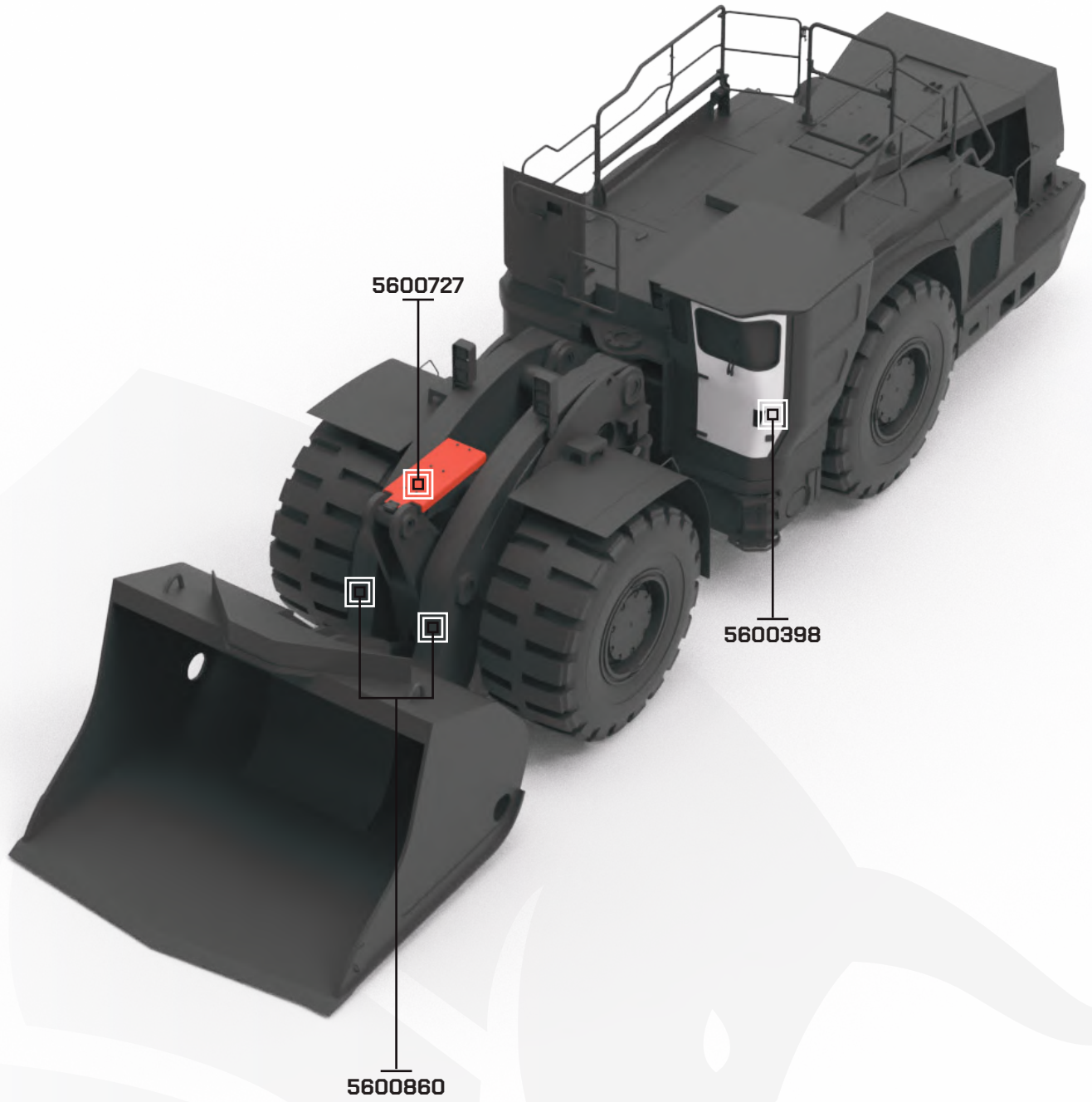
## SANDVIK LH621 FALL ARRESTOR TETHER KIT

Part No. 5504910

A solution to provide operators/fitters with a tethering kit which they could lock onto, while erecting the handrails on the machine.

**Features:**

- Tether kit is pre-rated to arrest the fall of an operator.
- Tether mechanism locks when sudden movement is detected (e.g. losing balance), preventing tripping and/or falling from machine.
- Uses existing bolts/fittings on the roof and engineered and certified brackets for retractable fall arrest tethers to attach to.





---

## SANDVIK LH621 CAB DOOR

Part No. 5600398

Suits Sandvik LH514, LH517 and LH621  
OEM No. BG00389056

**Features:**

- Direct OEM replacement
- Heavy-duty construction
- Precision manufactured for fast fit up to your machine



---

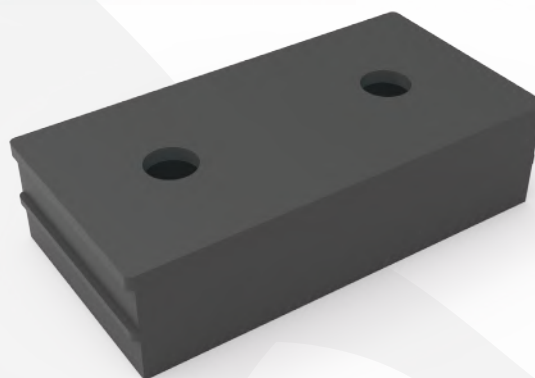
## SANDVIK LH621 / LH621i TILT CYLINDER GUARD

Part No. 5600727

OEM No. BG00601294

**Features:**

- Direct OEM replacement
- Suits Sandvik LH621 and LH621i



---

## LOADER BUCKET BUMPER

Part No. 5600860

OEM No. 56043968

**Features:**

- Direct OEM replacement
- Polyurethane

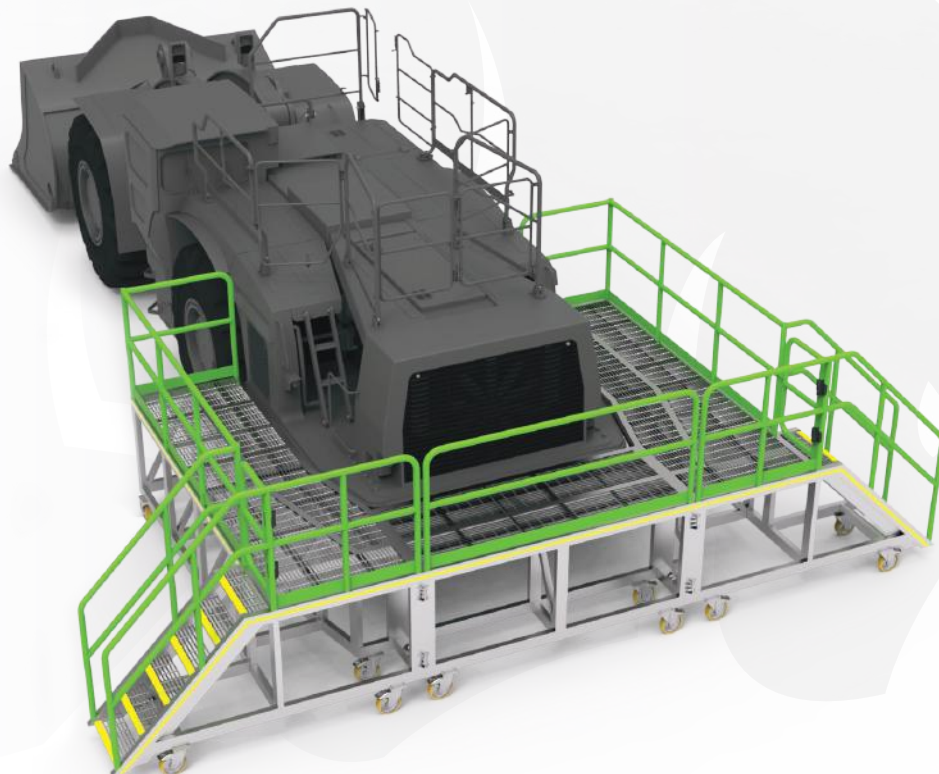
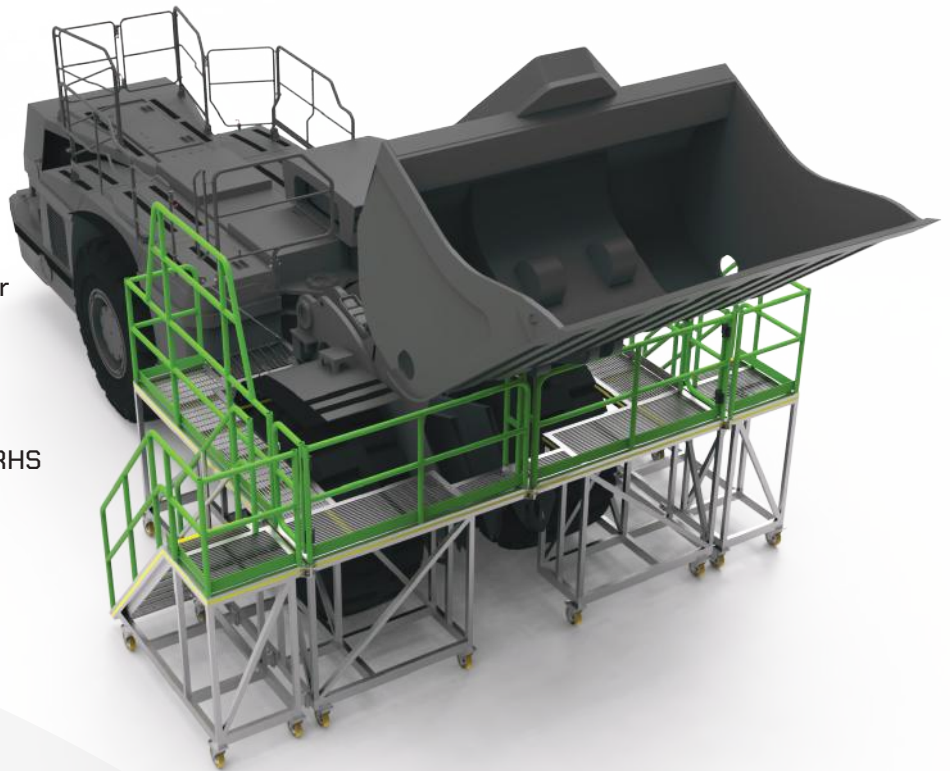
## SANDVIK LH621 FRONT ACCESS PLATFORM

Part No. 5501967

A platform designed and engineered to provide safe and efficient access to the front end of the Sandvik LH621 Loader for maintenance and repairs. Certified and compliant with Australian Standards.

### Features:

- Full TIG welded, heavy-duty aluminium RHS construction
- Non-slip, serrated grating for deck and stair treads
- Non-slip nosings on all stair treads
- High quality castor wheels
- Heavy-duty levelling jack stands
- Fold-out platform sections
- Self-closing gates
- Safety handrails with kickplates
- Extra height handrails at tyre points



## SANDVIK LH621 REAR ACCESS PLATFORM

Part No. 5001962

A platform designed and engineered to provide safe and efficient access to the rear end of the Sandvik LH621 Loader for routine maintenance and repairs. Certified and compliant with Australian Standards.

### Features:

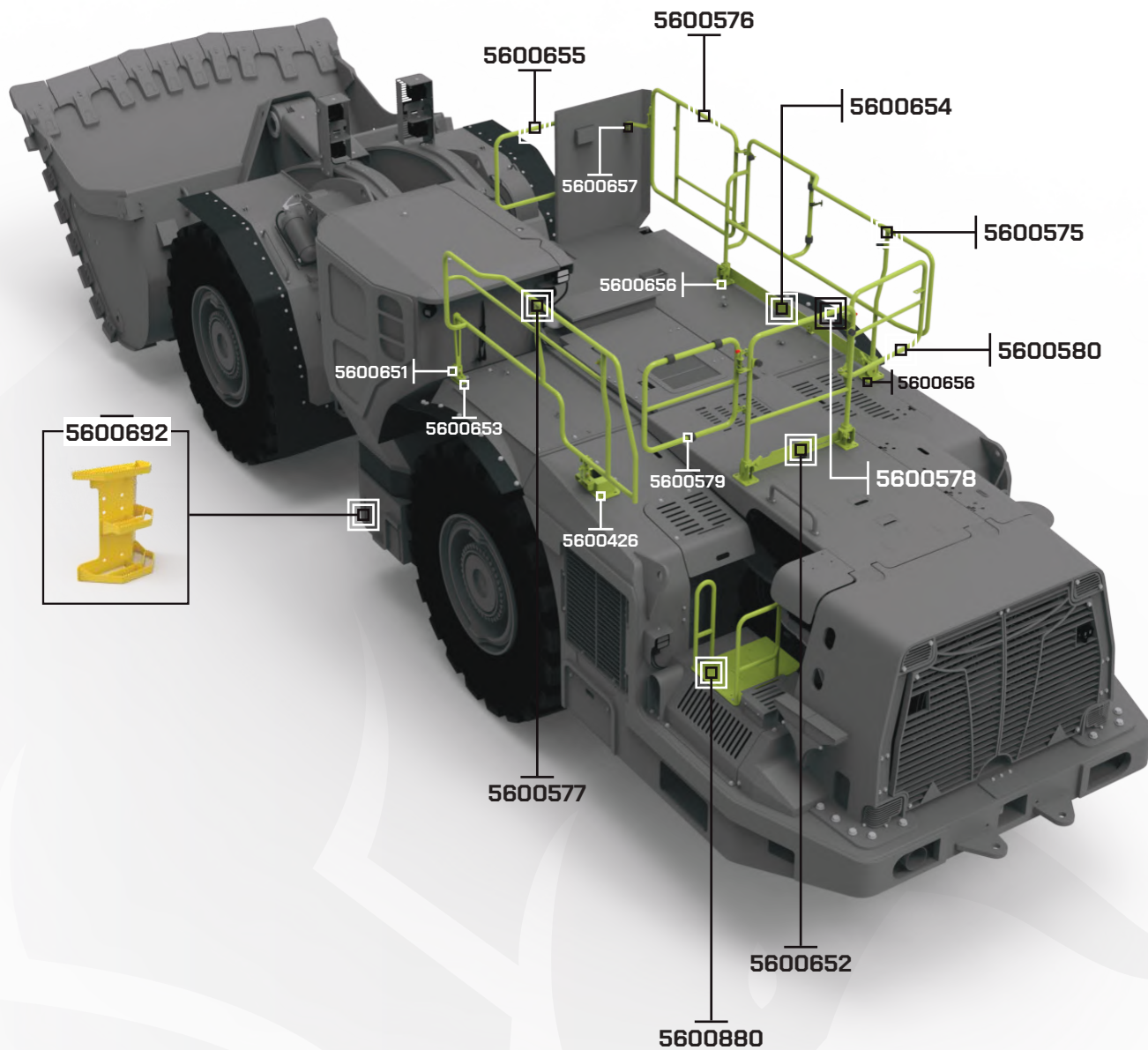
- Full TIG welded, heavy-duty aluminium RHS construction
- Three platforms bolt together
- Non-slip, serrated grating for deck and stair treads
- Non-slip nosings on all stair treads
- High quality castor wheels
- Self-closing gates



**SANDVIK  
LH621i LOADER**

**ELIMINATING DOWNTIME, MAXIMISING EFFICIENCY.**







**Right Side Handrail 5600575**

OEM No. BG01211129



**Right Side Gate 5600576**

OEM No. BG01211136



**Left Side Handrail 5600577**

OEM No. BG01214226



**Rear Handrail 5600578**

OEM No. BG01213823



**Rear Gate 1 5600579**

OEM No. BG01213911



**Rear Gate 2 5600580**

OEM No. BG1214448



**Tank Cover Rail 5600655**

OEM No. BG01447162



**Kickplate 5600652**

OEM No. BG01213823



**Kickplate and Bracket 5600654**

OEM No. BG01236467 & BG01010139



**Actuator Housing 5600426**

OEM No. BG00861412



**Mount Plates 5600651**

OEM No.: BG00860827, BG00861425, BG00861356



**Rail Stopper 5600657**

OEM No. BG01215100



**Handrail 5600653**

OEM No. BG00910132



**Mount Shim 5600656**

OEM No. BG01222304



**Exhaust Rail 5600880**

OEM No. BG00842904



**Cab Step 5600692**

OEM No. BG00963981

## SANDVIK LH62i HANDRAIL STORAGE RACK

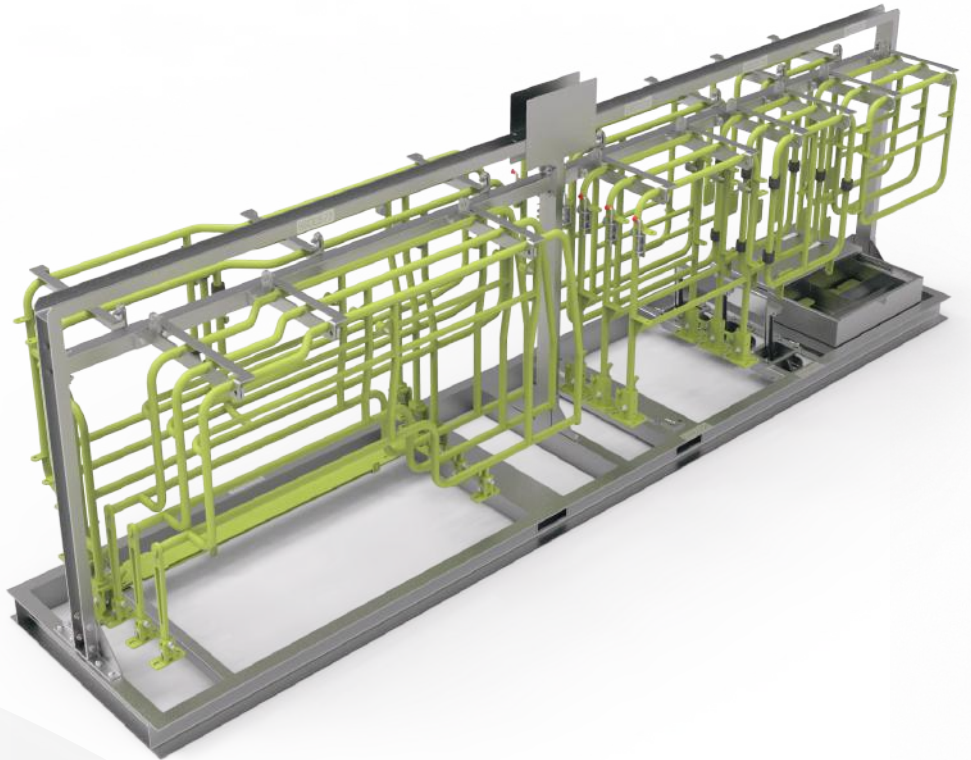
Part No. 5600749

A designed and engineered storage solution to hold a full set of Sandvik LH62i handrails. Certified and compliant with Australian Standards.

This handrail storage rack allows sites to access replacement handrails quickly and easily, without waiting for freight.

**Features:**

- Heavy-duty steel construction
- Heavy-duty hot dip galvanised finish
- All required signage incorporated
- Rack capacity: 3 complete sets
- Forklift slots
- Lockable hinges
- Handrails not included



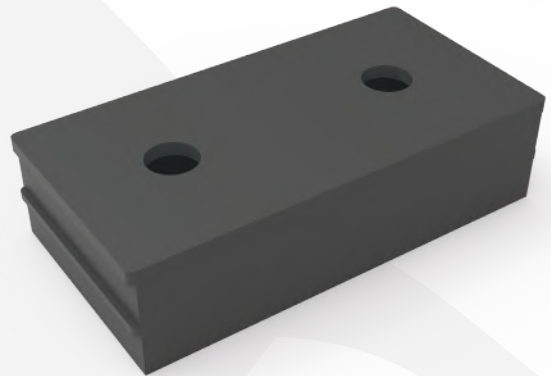
## SANDVIK LH621 / LH62i TILT CYLINDER GUARD

Part No. 5600727

OEM No. BG00601294

**Features:**

- Direct OEM replacement
- Suits Sandvik LH621 and LH62i



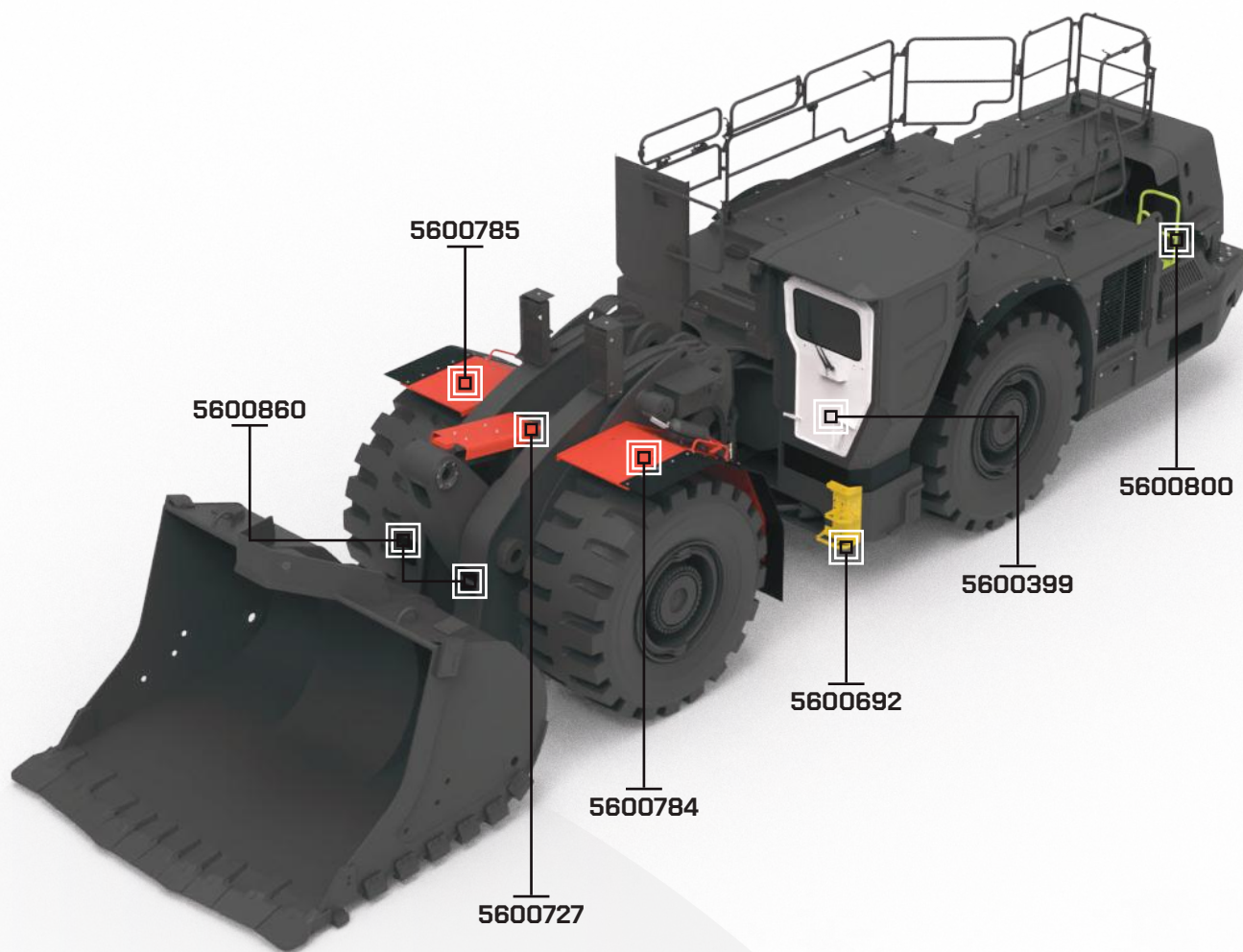
## LOADER BUCKET BUMPER

Part No. 5600860

OEM No. 56043968

**Features:**

- Direct OEM replacement
- Polyurethane



## SANDVIK LH621i FIXED FRONT FENDERS

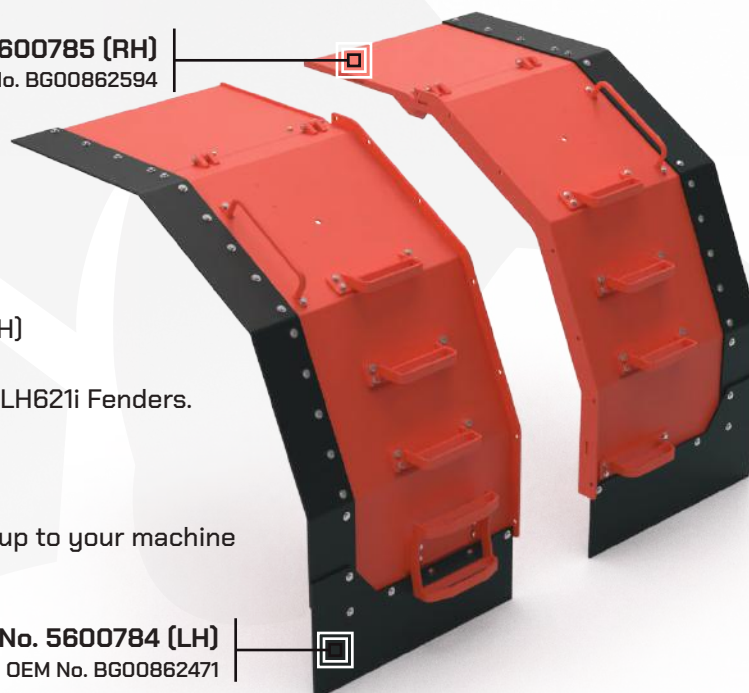
Part No. 5600785 (RH) / 5600784 (LH)

Direct OEM replacement for Sandvik LH621i Fenders.

**Features:**

- Heavy duty construction
- Precision manufactured for fast fit up to your machine

Part No. 5600785 (RH)  
OEM No. BG00862594



Part No. 5600784 (LH)  
OEM No. BG00862471

## SANDVIK LH517 CAB DOOR

Part No. 5600399

Suits Sandvik LH517i and LH621i.  
OEM No. BG00807642

**Features:**

- Direct OEM replacement
- Heavy-duty construction
- Precision manufactured for fast fit up to your machine



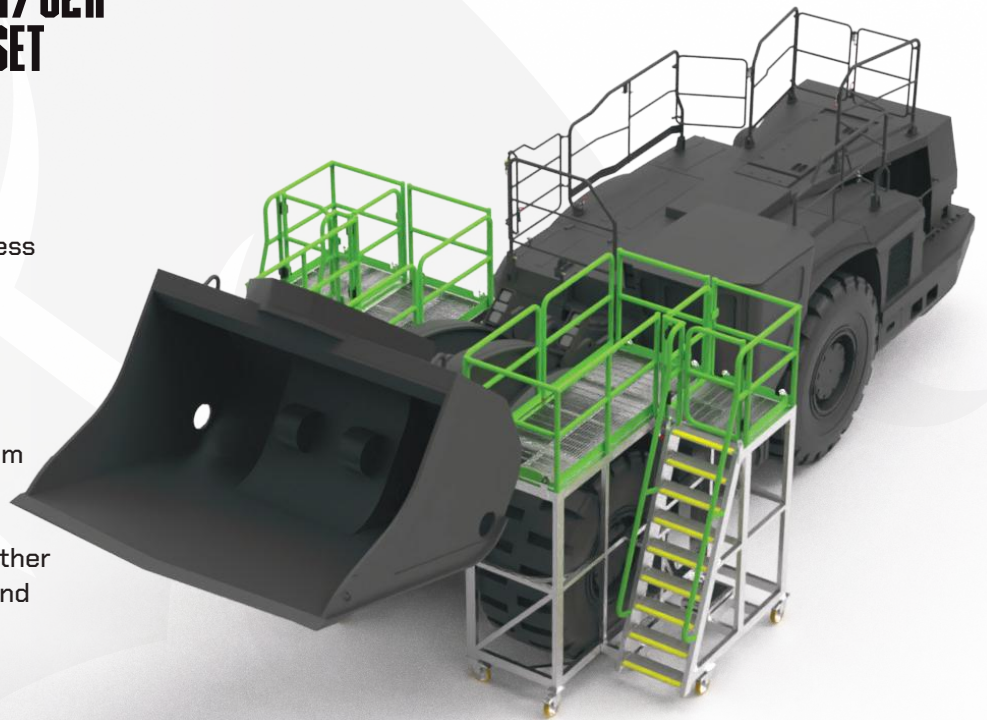
## SANDVIK LH517 / 517i & LH621 / 621i LIFT ARM ACCESS PLATFORM SET

Part No. 5504086

A certified platform designed and engineered for safe and efficient access to the lifting cylinder of the Sandvik LH517/i and LH621/i. Certified and compliant with Australian Standards.

**Features:**

- Full TIG welded, heavy-duty aluminium RHS construction
- WLL: 250kg per platform
- 4-piece design, platforms latch together
- Non-slip, serrated grating for deck and stair treads
- Non-slip nosings on all stair treads
- High quality castor wheels
- Heavy-duty levelling jack stands
- Self-closing gates
- Removable handrails
- Lifting lugs

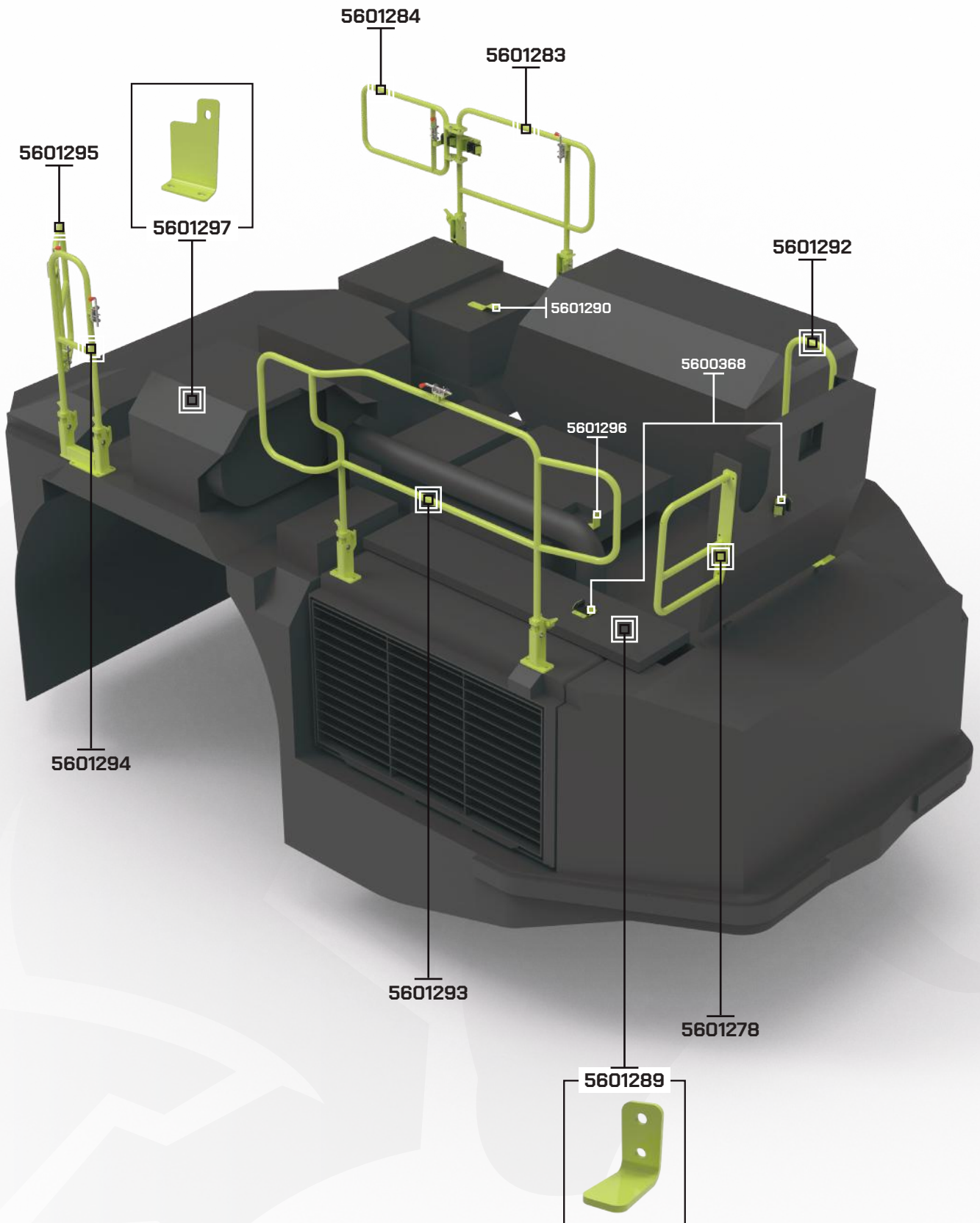




**SANDVIK  
TH540 / TH550 TRUCK**

**ELIMINATING DOWNTIME, MAXIMISING EFFICIENCY.**









**Handrail 5601278**

OEM No. BG00395762



**Handrail 5601292**

OEM No. BG00394586, BG00395204



**Handrail 5601293**

OEM No. BG00398719, 56048654



**Handrail 5601294**

OEM No. BG00401609, BG00399338



**Handrail Gate 5601295**

OEM No. 56045057



**Handrail 5601283**

OEM No. BG0039954, BG00405258, BG00411379, BG00210180, BG00220538



**Handrail Gate 5601284**

OEM No. BG00399609, BG00401064



**Support Plate 5601296**

OEM No. BG00405447



**Lock Plate 5601297**

OEM No. BG00406139



**Support Plate 5601289**

OEM No. BG00396343



**Lock Plate 5601290**

OEM No. BG00406211



**Bracket 5600368 [2 Req.]**

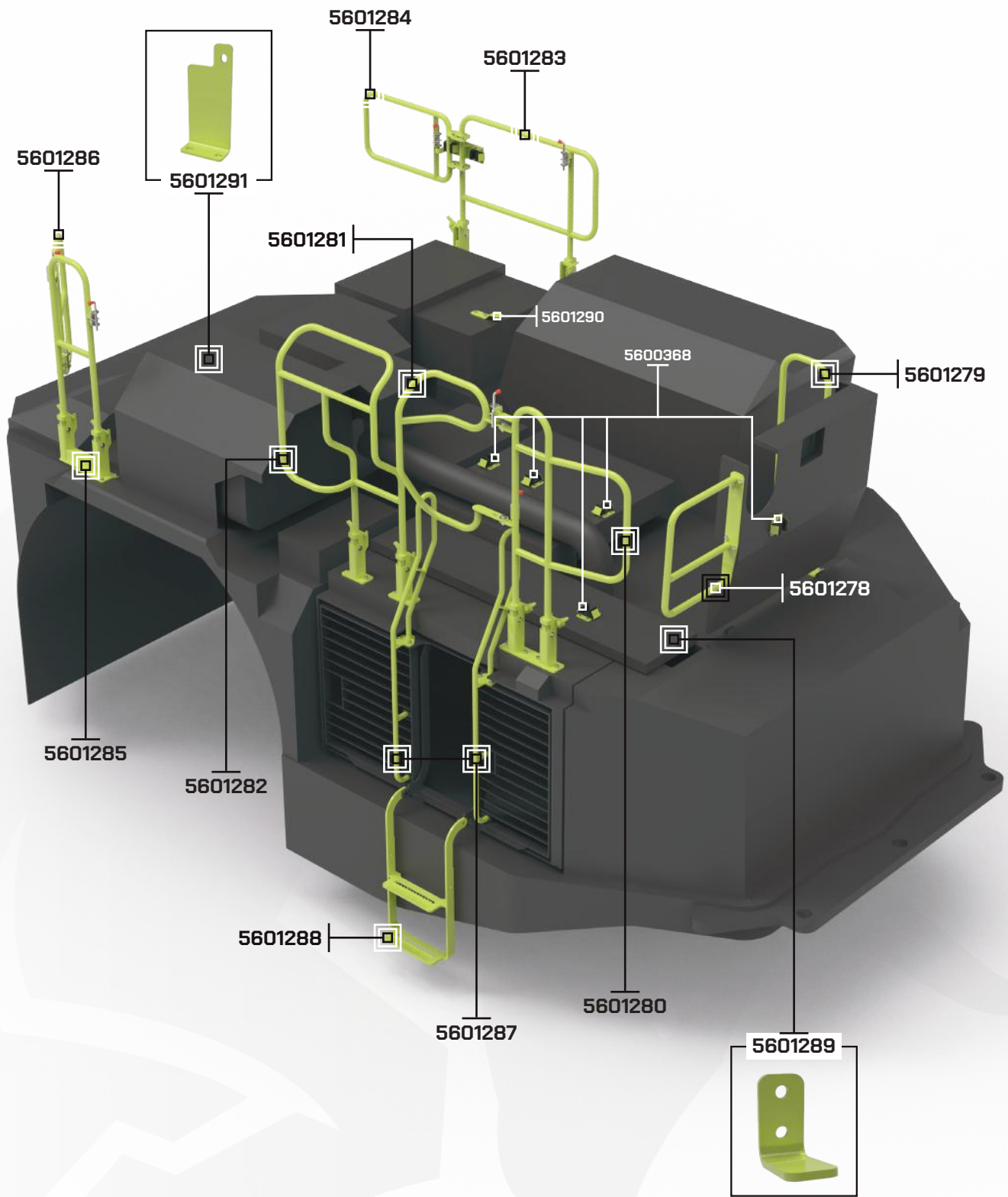
OEM No. BG00210180, BG00220538

**SANDVIK  
TH545i TRUCK**



**ELIMINATING DOWNTIME, MAXIMISING EFFICIENCY.**







**Guardrail 5601278**

OEM No. BG00395762



**Handrail 5601279**

OEM No. BG00949424, BG00949564



**Handrail 5601280**

OEM No. BG00970931, BG01001252



**Handrail Gate 5601281**

OEM No. BG01003998



**Handrail 5601282**

OEM No. BG00970926, 56048654



**Handrail 5601283**

OEM No. BG00399546, BG00405258, BG00411379, BG00210180, BG00220538



**Handrail Gate 5601284**

OEM No. BG00399609, BG00401064



**Handrail 5601285**

OEM No. BG00399338, BG00891915, BG00413437



**Handrail Gate 5601286**

OEM No. BG00949392



**Grabrails 5601287 (2 Req.)**

OEM No. BG00973787



**Ladder 5601288**

OEM No. BG00969229



**Support Plate 5601289**

OEM No. BG00396343



**Lock Plate 5601290**

OEM No. BG00406211



**Lock Plate 5601291**

OEM No. BG00891909



**Bracket 5600368 (5 Req.)**

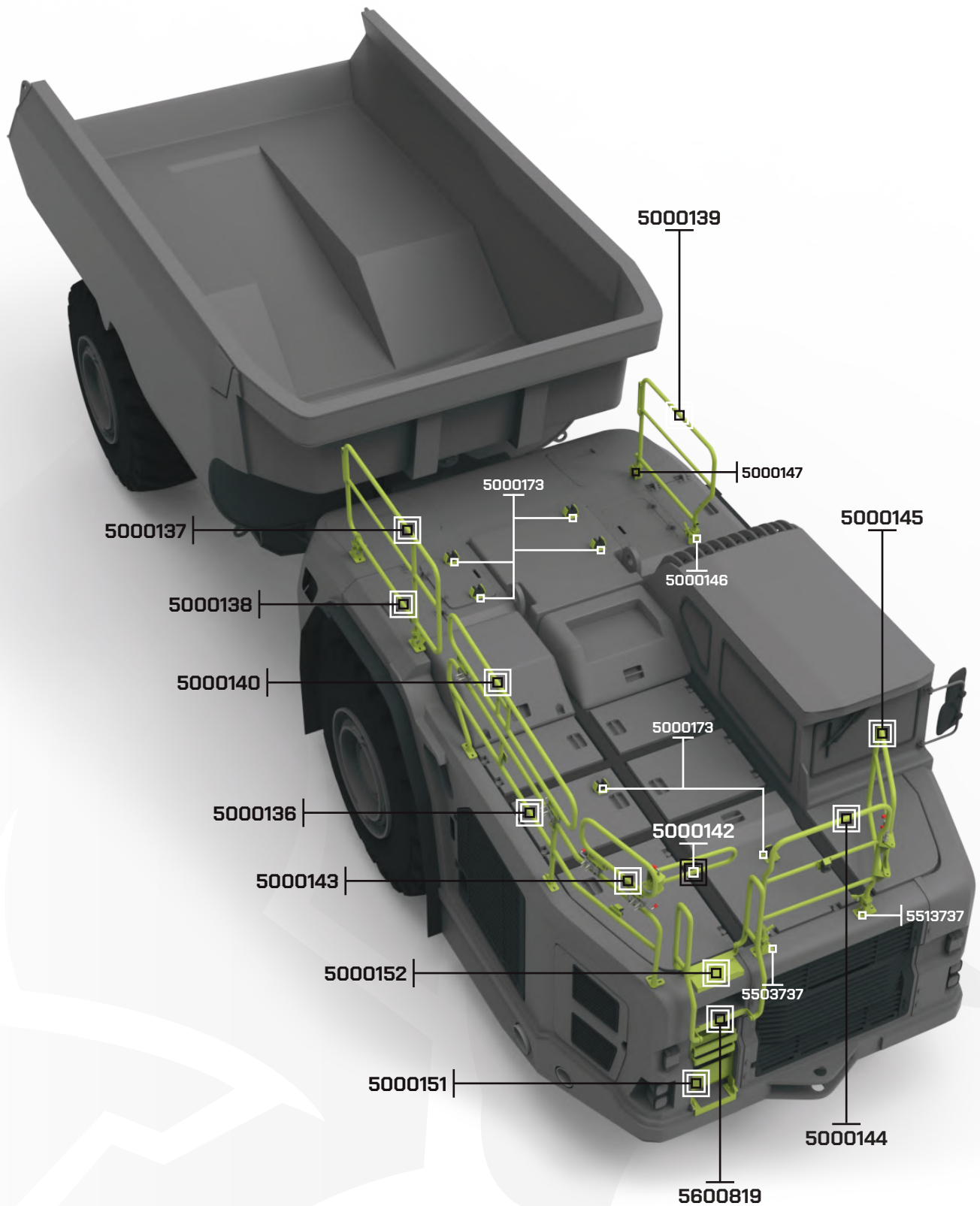
OEM No. BG00210180, BG00220538



**SANDVIK  
TH551/i & TH663/i  
TRUCK**

**ELIMINATING DOWNTIME, MAXIMISING EFFICIENCY.**







**Handrail 5000136**

OEM No. BG00213893



**Handrail 5000137**

OEM No. BG00204159



**Handrail 5000140**

OEM No. BG00202252



**Handrail 5000145**

OEM No. BG00208760



**Handrail 5000144**

OEM No. BG00202032



**Handrail 5000142**

OEM No. BG00329584



**Handrail 5000143**

OEM No. BG00202490



**Handrail 5000139**

OEM No. BG00204240



**Handrail 5000138**

OEM No. BG00204183



**Ladder 5000152**

OEM No. BG00210677



**Step Ladder 5000151**

OEM No. 56210006

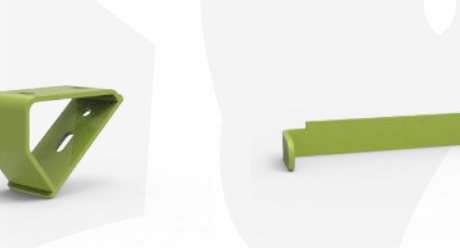


**Support Bracket 5000147**

OEM No. 56209439



**RH Handrail Hinge 5513737**

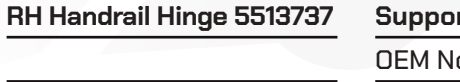


**Support Bracket 5000146**

OEM No. BG00236951

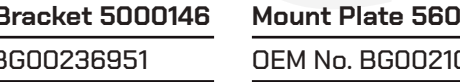


**LH Handrail Hinge 5503737**



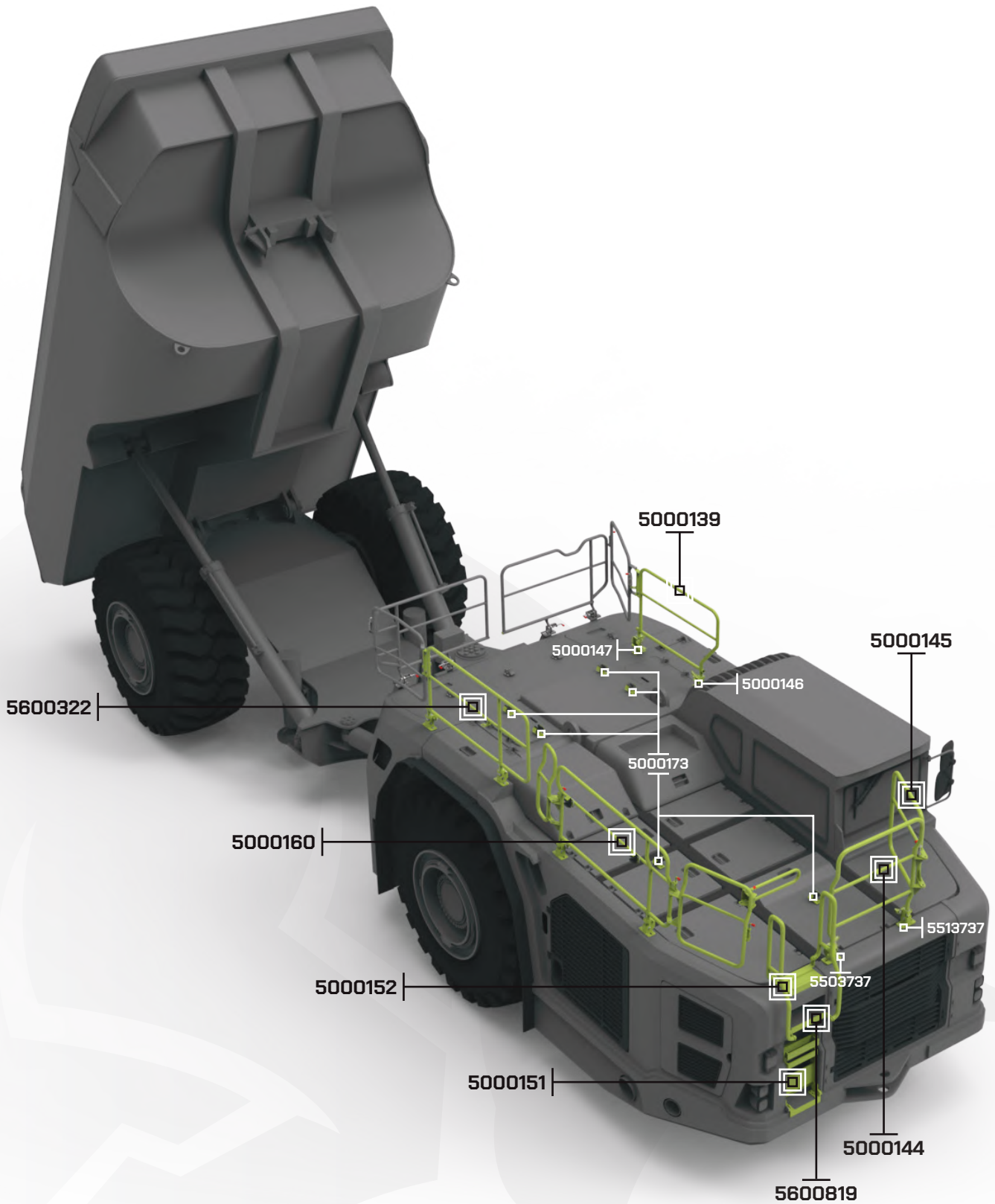
**Mount Plate 5600819**

OEM No. BG00210718



**Bracket & Rubber 5000173**

*[6 Required]*







**Handrail 5000139**

OEM No. BG00204240



**Handrail 5000160**

OEM No. BG00213893, BG00213140,  
BG00213142 & BG00213143



**Handrail 5000144**

OEM No. BG00202032



**Handrail 5000145**

OEM No. BG00208760



**Handrail 5600322**

OEM No. BG00204159



**Ladder 5000152**

OEM No. BG00210677



**Step Ladder 5000151**

OEM No. 56210006



**Mount Plate**

OEM No. BG00210718



**Bracket & Rubber 5000173**

[6 Required]



**LH Handrail Hinge**

5503737 [4 Required]



**RH Handrail Hinge**

5513737 [4 Required]



**Support Bracket 5000147**

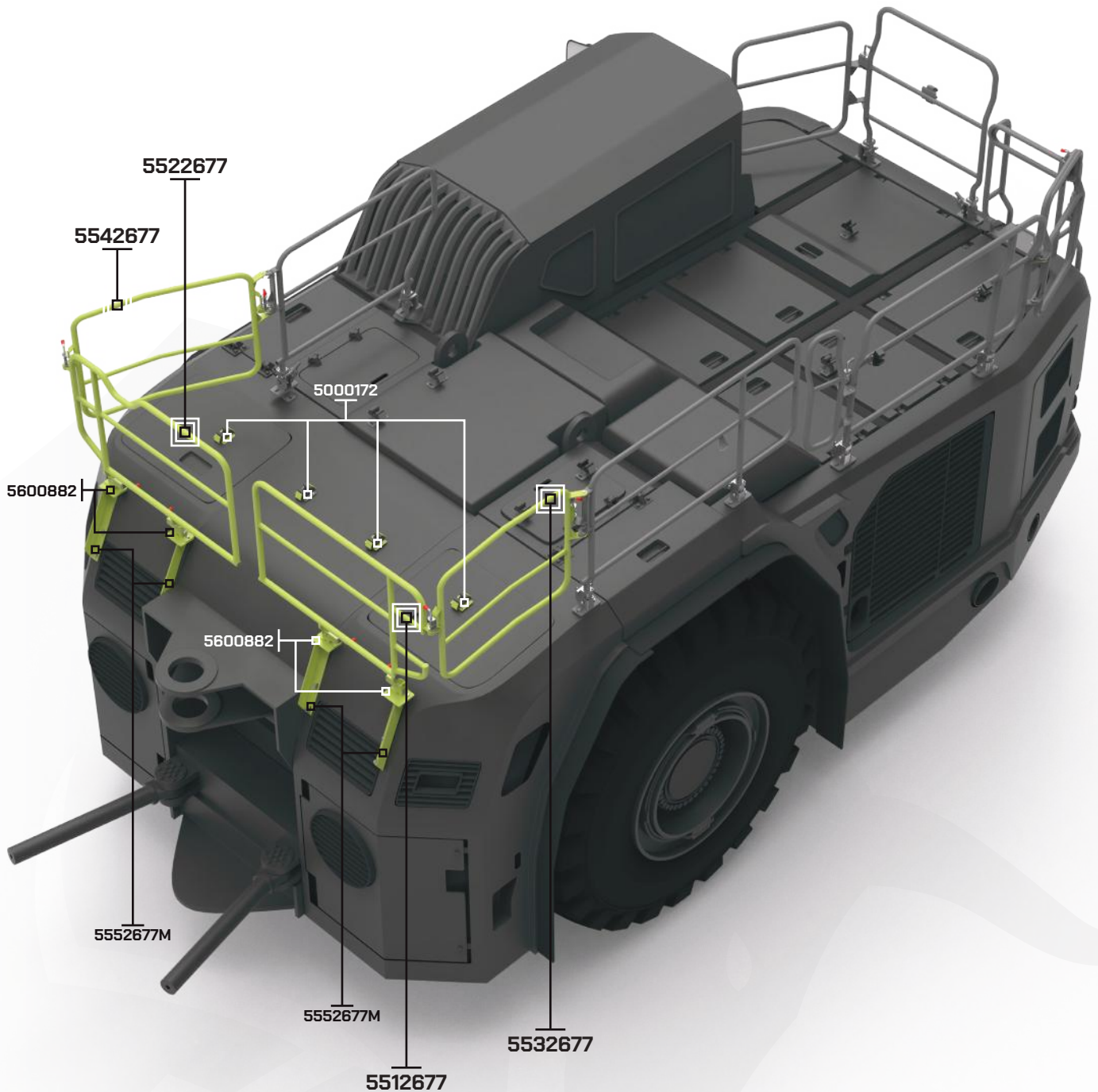
OEM No. 56209439



**Support Bracket 5000146**

OEM No. BG00236951

# SANDVIK TH551/i & TH663/i TRUCK - REAR LOW FOLDING HANDRAILS CLASSIC & i SERIES





**Handrail 5542677**



**Handrail 5522677**



**Handrail 5512677**



**Handrail 5532677**



**Bracket & Rubber 5000172**  
*[4 Required]*



**Rear Mount Set 5552677M**  
*[2 Sets Required]*



**Foot 5600882**  
*[2 Required]*



**Latch 5000149 [2 Required]**  
OEM No. BG00214267



**Latch 5000148 [2 Required]**  
OEM No. BG00214262

## **SANDVIK TH551/i & TH663/i HANDRAIL STORAGE RACK**

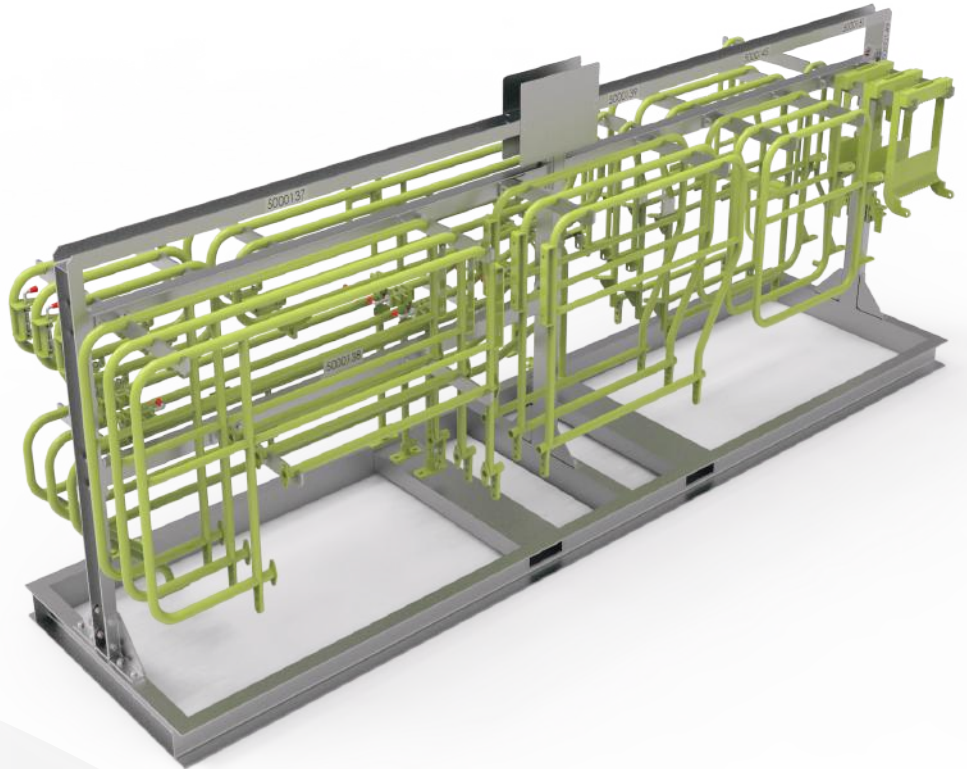
**Part No.** 5502978

A designed and engineered storage solution to hold a full set of Sandvik TH663 handrails. Certified and compliant with Australian Standards.

This handrail storage rack allows sites to access replacement handrails quickly and easily, without waiting for freight.

**Features:**

- Heavy-duty steel construction
- Heavy-duty hot dip galvanised finish
- All required signage incorporated
- Rack capacity: 3 complete sets
- Forklift slots
- Handrails not included



## **SANDVIK TH551/i & TH663/i HANDRAIL STORAGE RACK – LOW FOLDING & REAR SET ACCOMMODATION**

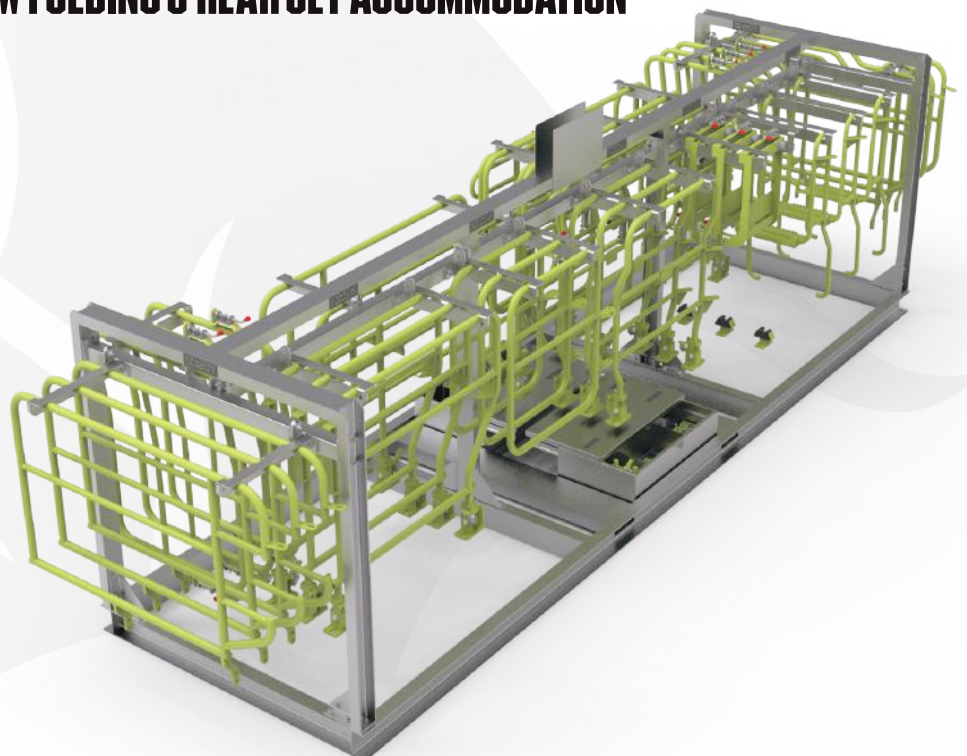
**Part No.** 5506108

A designed and engineered storage solution to hold a full set of Sandvik TH663 handrails. Certified and compliant with Australian Standards.

This handrail storage rack allows sites to access replacement handrails quickly and easily, without waiting for freight.

**Features:**

- Heavy-duty steel construction
- Heavy-duty hot dip galvanised finish
- All required signage incorporated
- Rack capacity: 3 complete sets
- Forklift slots
- Lockable hinges
- Handrails not included



## SANDVIK TH551/i & TH663/i HANDRAIL STORAGE RACK – LOW FOLDING FRONT SET ONLY

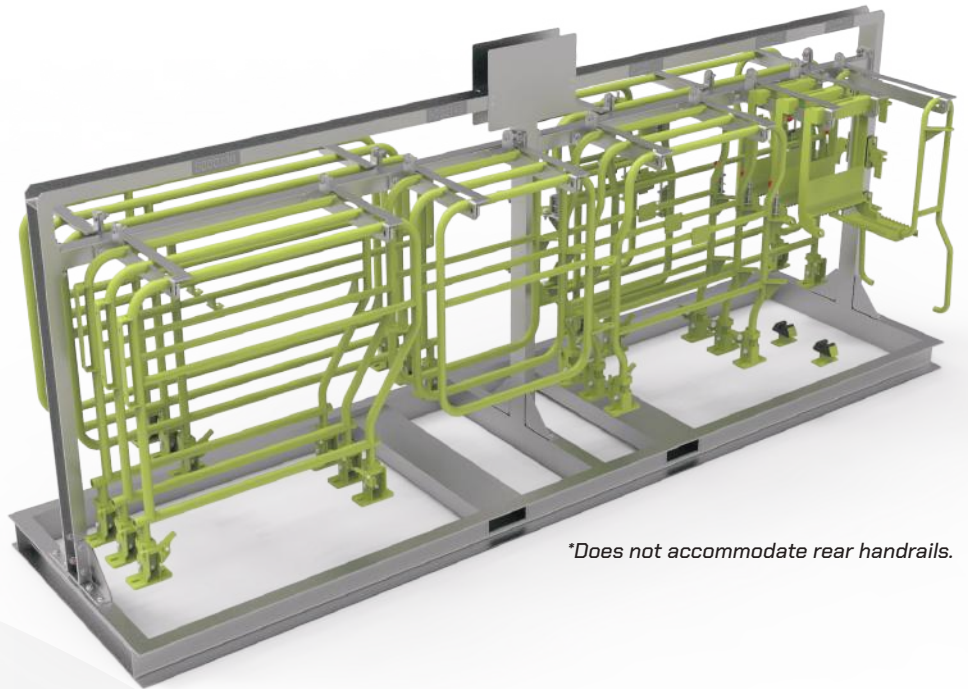
Part No. 5504560

A designed and engineered storage solution to hold a full set of Sandvik TH663 handrails. Certified and compliant with Australian Standards.

This handrail storage rack allows sites to access replacement handrails quickly and easily, without waiting for freight.

**Features:**

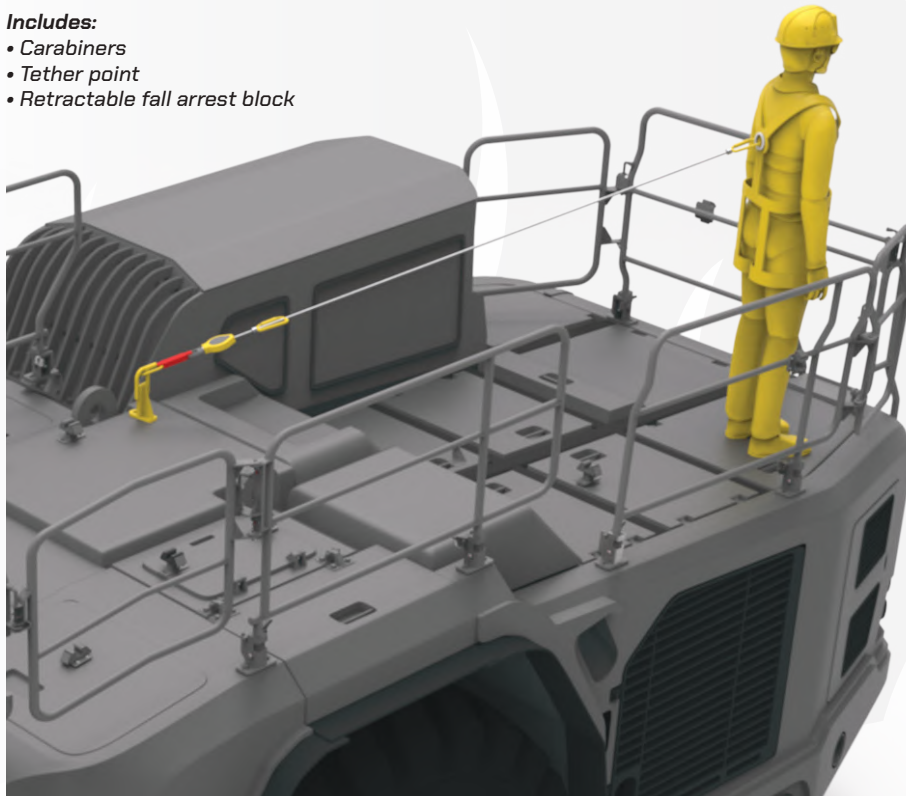
- Heavy-duty steel construction
- Heavy-duty hot dip galvanised finish
- All required signage incorporated
- Rack capacity: 3 complete sets
- Forklift slots
- Lockable hinges
- Handrails not included



*\*Does not accommodate rear handrails.*

**Includes:**

- Carabiners
- Tether point
- Retractable fall arrest block



## SANDVIK TH551/i & TH663/i FALL ARRESTOR TETHER KIT

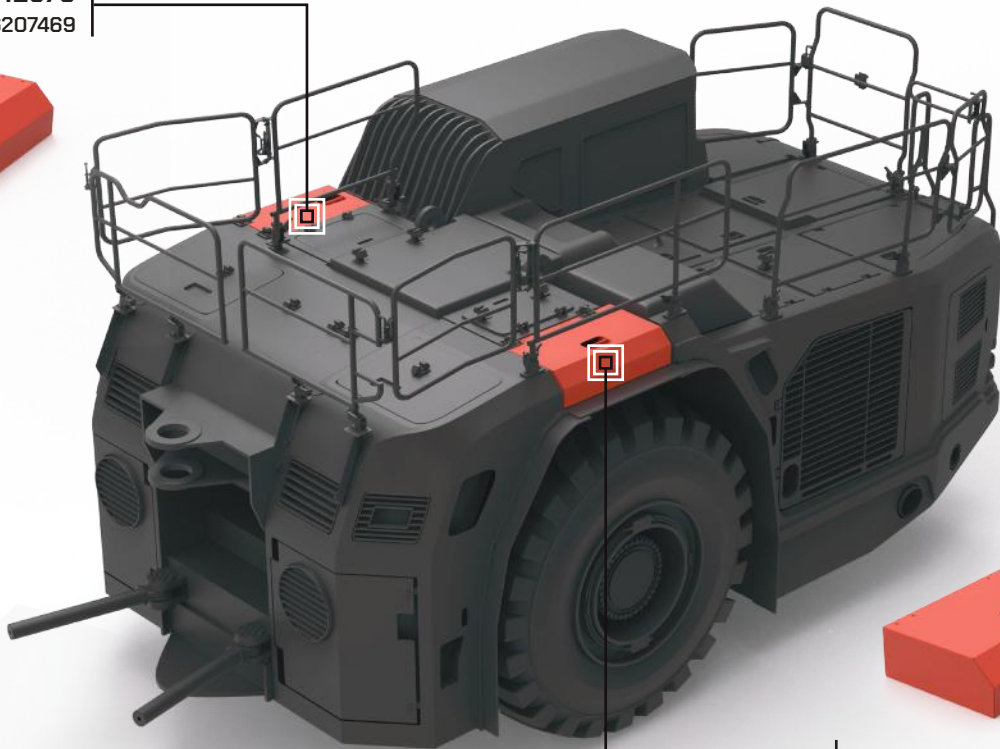
Part No. 5504909

A solution to provide operators/fitters with a tethering kit which they could lock onto, while erecting the handrails on the machine.

**Features:**

- Tether kit is pre-rated to arrest the fall of an operator.
- Tether mechanism locks when sudden movement is detected (e.g. losing balance), preventing tripping and/or falling from machine.
- Uses existing bolts/fittings on the roof and engineered and certified brackets for retractable fall arrest tethers to attach to.

LH Mudguard 5542678  
OEM No. 56207469



RH Mudguard 5552678  
OEM No. 56207470

## SANDVIK TH663 TRANSMISSION ACCESS PLATFORM

Part No. 5504061

A platform designed and engineered for safe and efficient access to the mid section of the Sandvik TH663 for maintenance and repairs. Certified and compliant with Australian Standards.

### Features:

- Full TIG welded, heavy-duty aluminium RHS construction
- WLL: 250kg per platform
- 2-piece design, platforms latch together
- Non-slip, serrated grating for deck and stair treads
- Non-slip nosings on all stair treads
- High quality castor wheels
- Heavy-duty levelling jack stands
- Self-closing gates
- Bolt-on handrails





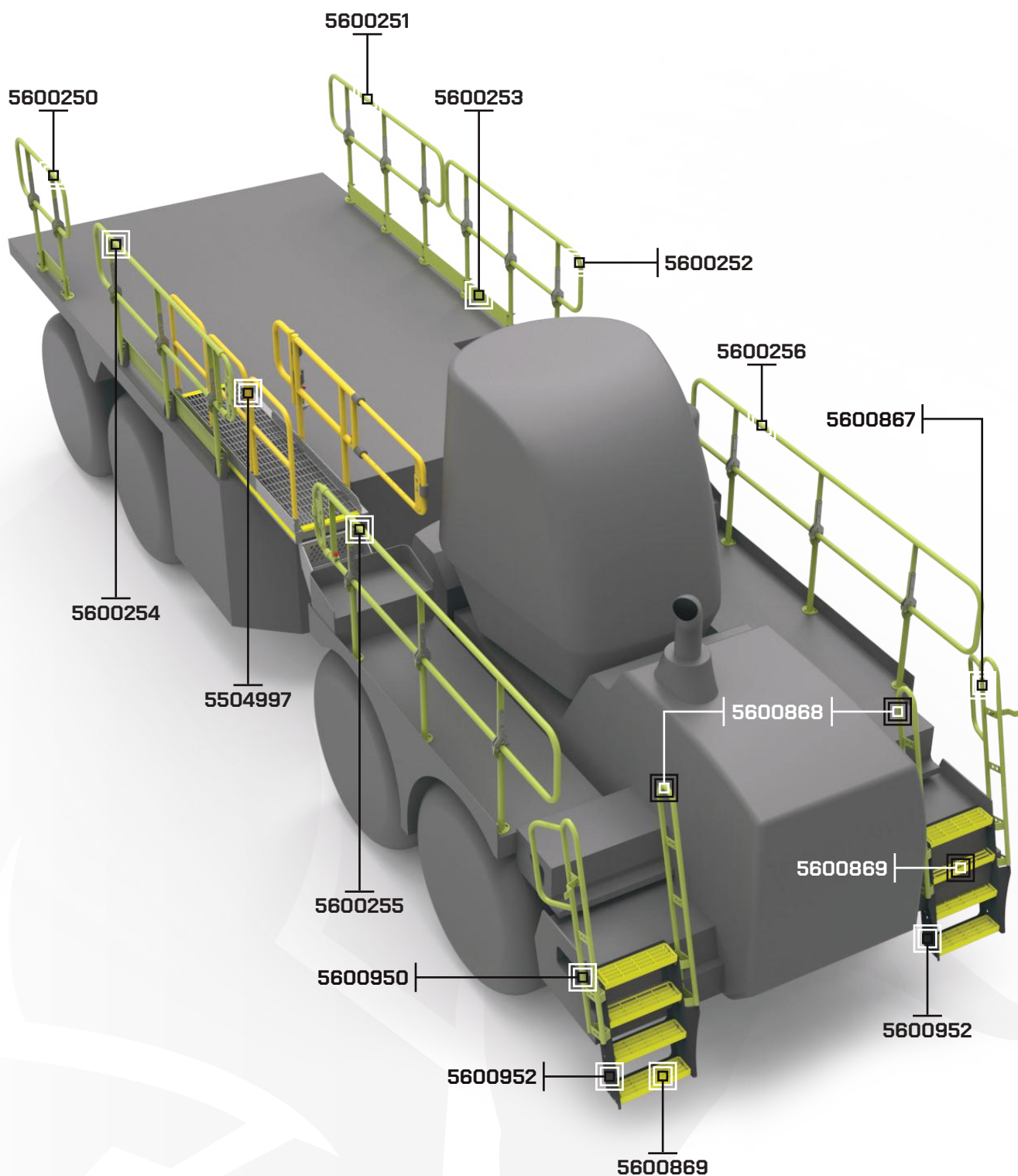
---

**SANDVIK  
RHINO R100H**

---

**ELIMINATING DOWNTIME, MAXIMISING EFFICIENCY.**









**Handrail RH Rear 5600250**

OEM No. 36920401



**Handrail LH Rear 1 5600251**

OEM No. 36920404



**Handrail LH Rear 2 5600252**

OEM No. 36920403



**Kickplate for LH Rear Handrails  
5600253**



**Handrail RH Middle 5600254**

OEM No. 36920402



**Handrail RH Front 5600255**

OEM No. 36920406



**Handrail LH Front 5600256**

OEM No. 36920407



**Handrail Replacement Post 5600617**

OEM No. BG36920401 & BG36920404



**Handrail Replacement Post 5600618**

OEM No. BG36920404



**Handrail Replacement Post 5600619**

OEM No. BG36920402



**Handrail Replacement Post 5600620**

OEM No. BG36920406 & BG36920407

LH - Front Ladder LH Handrail  
Part No. 5600867  
OEM No. 36932550

RH - Front Ladder RH Handrail  
Part No. 5600950  
OEM No. 36932555

**LH FRONT LADDER ASSEMBLY**

Part No. 5600866

**RH FRONT LADDER ASSEMBLY**

Part No. 5600951

LH & RH Front Ladder Steps  
Part No. 5600869  
OEM No. 36931916 & 36940952

LH - Front Ladder RH Handrail  
Part No. 5600868  
OEM No. 36931928

RH - Front Ladder LH Handrail  
Part No. 5600868  
OEM No. 36931928

LH & RH Ladder & Step Frame  
Part No. 5600952  
OEM No. 36931929

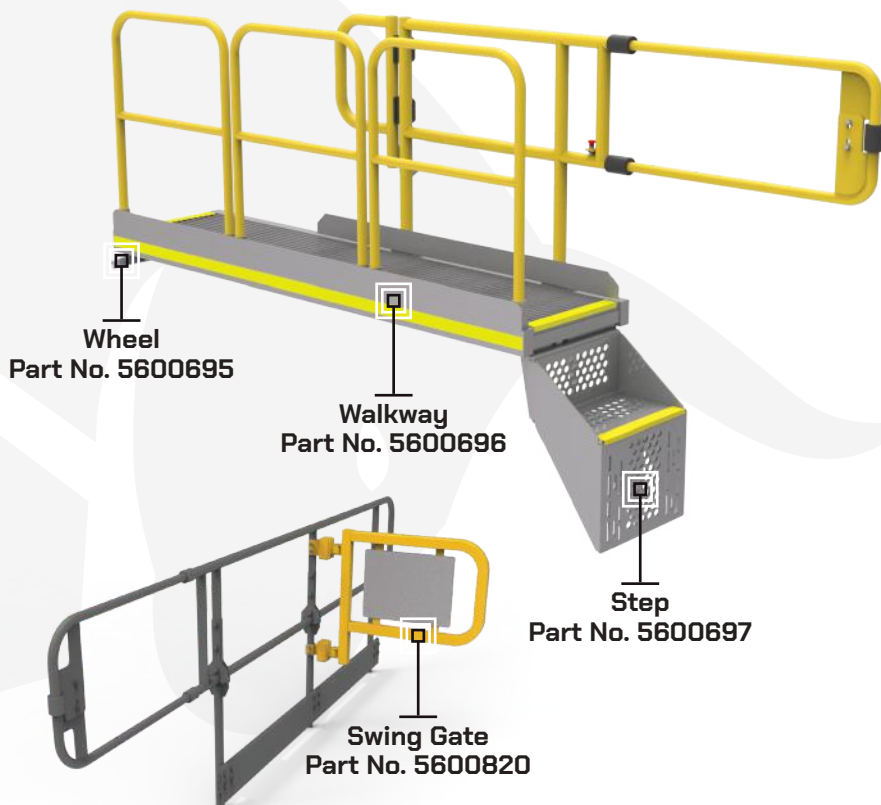
**SANDVIK RHINO R100H WALKWAY AND STEPS**

Part No. 5504997

Access and walkway steps made to make maintenance safer and more efficient on the Sandvik Rhino R100H. Designed and built to withstand the harshest underground mining environments.

**Features:**

- Full TIG welded, heavy-duty aluminium RHS construction
- Bolt-on handrail with self-closing gate
- Non-slip serrated grating and nosings
- Removable handrails on outer side
- Slide-out handrail



**SANDVIK  
DL421 DRILL**

**ELIMINATING DOWNTIME, MAXIMISING EFFICIENCY.**





**Hose Guide 5000038**

OEM No. 55054734



**Hose Guide Assembly 5000039**

OEM No. 32821157



**Hose Guide Assembly 5000041**

OEM No. 35255508



**Hose Guide 5000042**

OEM No. 35239618



**Hose Guide 5000043**

OEM No. 35225658



**LH Door Handrail 5000166**

OEM No. 55201216



**RH Door Handrail 5000167**

OEM No. 55201213



**LH Cab Handrail 5000168**

OEM No. 55201214



**RH Cab Handrail 5000169**

OEM No. 55282506

**ROX** 

**UNDERGROUND MACHINE PARTS**

**SANDVIK  
DD421 DRILL**

**ELIMINATING DOWNTIME, MAXIMISING EFFICIENCY.**





**RH Door Handrail 5000163**

OEM No. 55182505



**LH Outer Handrail 5000164**

OEM No. 55182506



**LH Door Handrail 5000162**

OEM No. 55182538



**RH Outer Handrail 5000165**

OEM No. 55182506



**SANDVIK DD421-60 Handrail**

**5600822**



**SB40 Hydraulic Ram Clamp**

**200mm 5000174**



**SB40 Hydraulic Ram Clamp**

**350mm 5600051**



**SB40 Hydraulic Ram Clamp**

**500mm 5000175**



**SANDVIK DD421 DRILL  
SB60 HYDRAULIC RAM CLAMP 500MM**

Part No. 5505799

Designed and engineered to provide safe lockout for critical maintenance.

**Features:**

- Heavy-duty steel construction
- Lightweight and easy to install
- Eliminates need for time consuming setup of heavy support stands
- Certified and compliant with Australian Standards

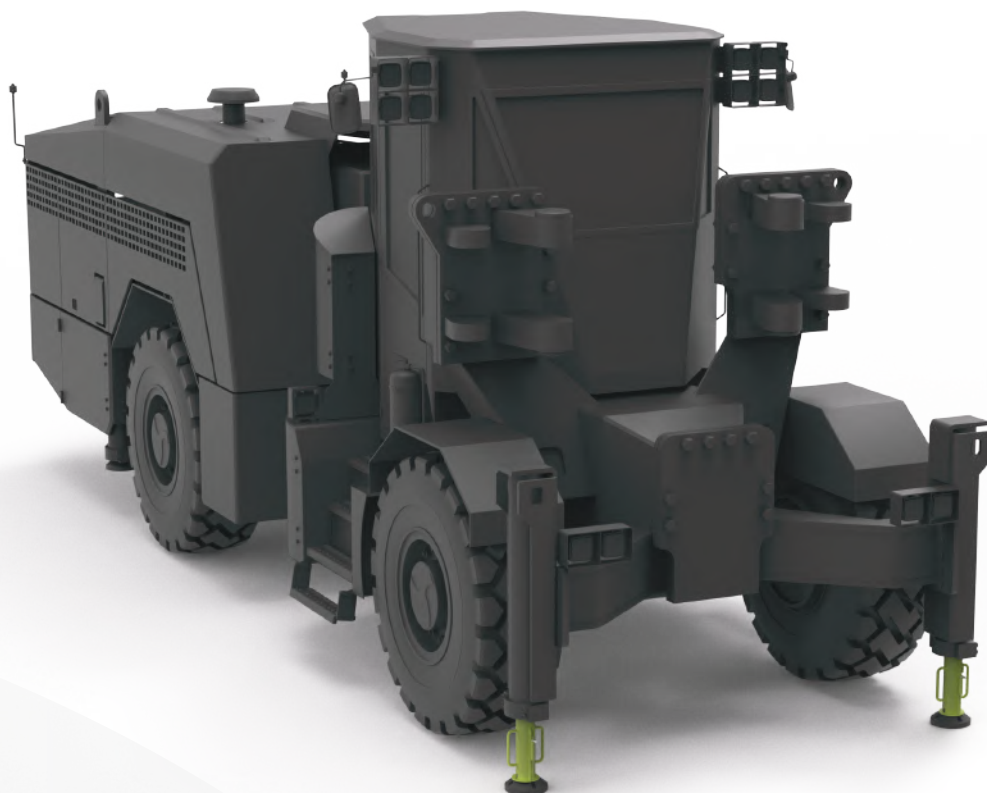
---

**SANDVIK JUMBO DRILL  
JACKING LEG CLAMP**

Part No. 5503783

**Features:**

- Heavy-duty steel construction
- WLL: 20T
- Weight: 10kg
- Easy to install and lock into place
- Load rated handles for hoist install



---

**SANDVIK DD421 WINDSCREEN  
CHANGEOUT ACCESS PLATFORM**

Part No. 5504201

Ideal for windscreen changeout,  
maintenance and inspection.

**Features:**

- Full TIG welded, heavy-duty aluminium  
RHS construction
- WLL: 150kg
- Heavy-duty castor wheels
- Self-closing gate
- Removable end handrail
- Forklift slots









## SANDVIK DD421 DRILL ARM STAND

Part No. 5505757

A certified stand which is positioned underneath the DD421 drill arm hydraulic swivel during maintenance to stop rolling when pressure is released.

**Features:**

- Heavy-duty steel construction
- WLL: 10T
- Fitted with lifting lugs
- Adjustable cradle head
- Y-14 Safety Yellow
- Locking rod
- Forklift slots



## SANDVIK DD421 DRILL ARM STAND & WHEELS

Part No. 5507100

A stand which is positioned underneath the DD421 drill arm hydraulic swivel during maintenance to stop rolling when pressure is released. Fitted with heavy-duty wheels for ease of movement.

**Features:**

- Heavy-duty steel construction
- WLL: 10T
- Fitted with lifting lugs
- Adjustable cradle head
- Y-14 Safety Yellow
- Locking rod
- Forklift slots



## SANDVIK DD421 JUMBO DRILL FEED STAND

Part No. 5504159

A stand designed for safety and efficiency during jumbo drill feed maintenance. Certified and compliant with Australian Standards

**Features:**

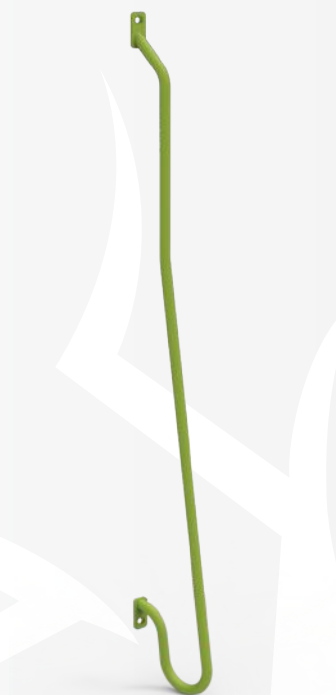
- Full TIG welded heavy-duty aluminium
- WLL: 2.5T
- Rubber padding on contact surface



SANDVIK  
DD432i & DD422i



Cab Handrail LH 5600844  
OEM No. BG01153141



Cab Handrail RH 5600837  
OEM No. BG01153141



Door Handrail LH  
5600845



Door Handrail RH  
5600838



**VOLVO  
L120F WHEEL LOADER**

**ELIMINATING DOWNTIME, MAXIMISING EFFICIENCY.**



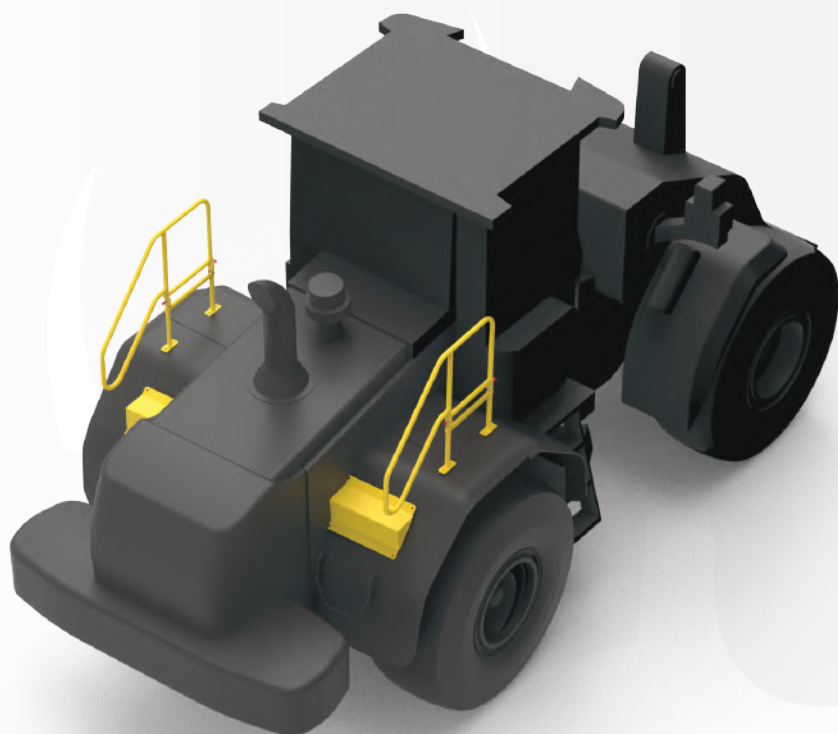
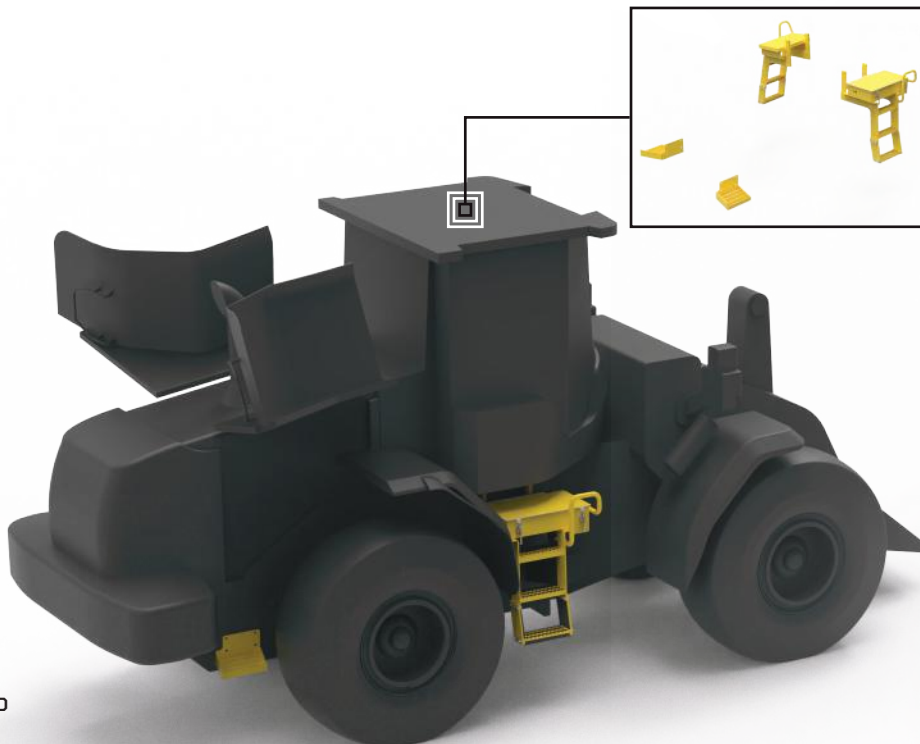
## VOLVO L120F ACCESS LADDER & STEP

Part No. 5504998

An OEM replacement access ladder and step designed and engineered to provide safe entry to the Volvo L120F.

### Features:

- Full TIG welded, heavy-duty aluminium RHS construction
- Non-slip checkerplate treads
- Full bolt-on mid-folding design
- Hi-spec surface treatment finish in Volvo yellow over a primary zinc coating for enhanced protection



## VOLVO L120F MOUNTED HANDRAILS

Part No. 5504998

A comprehensive set of handrails designed and engineered to provide fall protection on the Volvo L120F wheel loader.

### Features:

- Full TIG welded, heavy-duty aluminium RHS construction
- Full bolt-on mid-folding design
- Hi-spec surface treatment finish in Volvo yellow over a primary zinc coating for enhanced protection



## VOLVO L120F WINDSCREEN CHANGEOUT PLATFORM

Part No. 5504108

An OEM replacement access ladder and step designed and engineered to provide safe entry to the Volvo L120F.

### Features:

- Full TIG welded, heavy-duty aluminium RHS construction
- WLL: 150kg per platform
- LH & RH platform configuration
- Non-slip serrated grating for deck and stair treads
- Non-slip nosings
- Heavy-duty castor wheels
- Latch system included to attach two platforms
- Self-closing gates

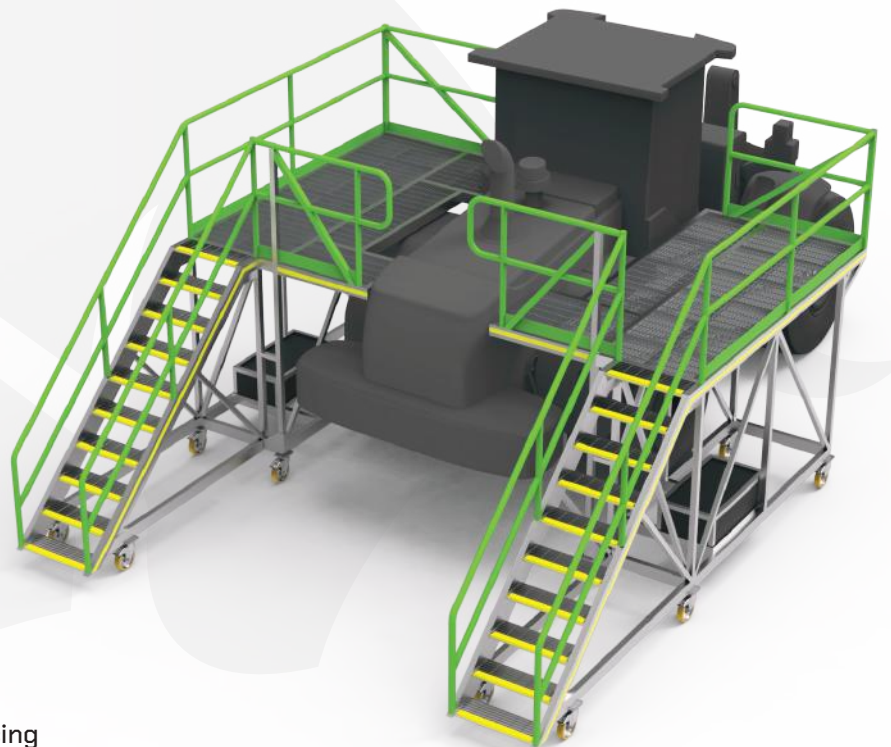
## VOLVO L120F ACCESS PLATFORM

Part No. 5501968

A platform set designed and engineered to provide safe and efficient access to the Volvo L120F wheel loader for maintenance and inspection. Certified and compliant with Australian Standards.

### Features:

- Full TIG welded, heavy-duty aluminium RHS construction
- WLL: 250kg
- LH & RH platform configuration
- Non-slip stairway and work area
- Safety handrails
- Heavy-duty castor wheels
- Overhangs for easy access
- Easy workshop mobility during loader servicing

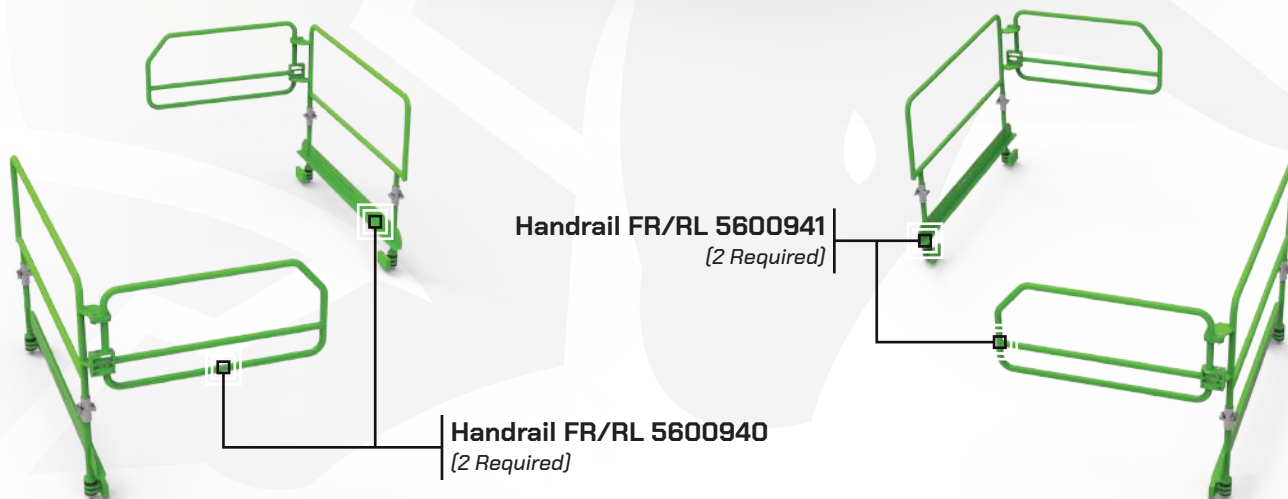
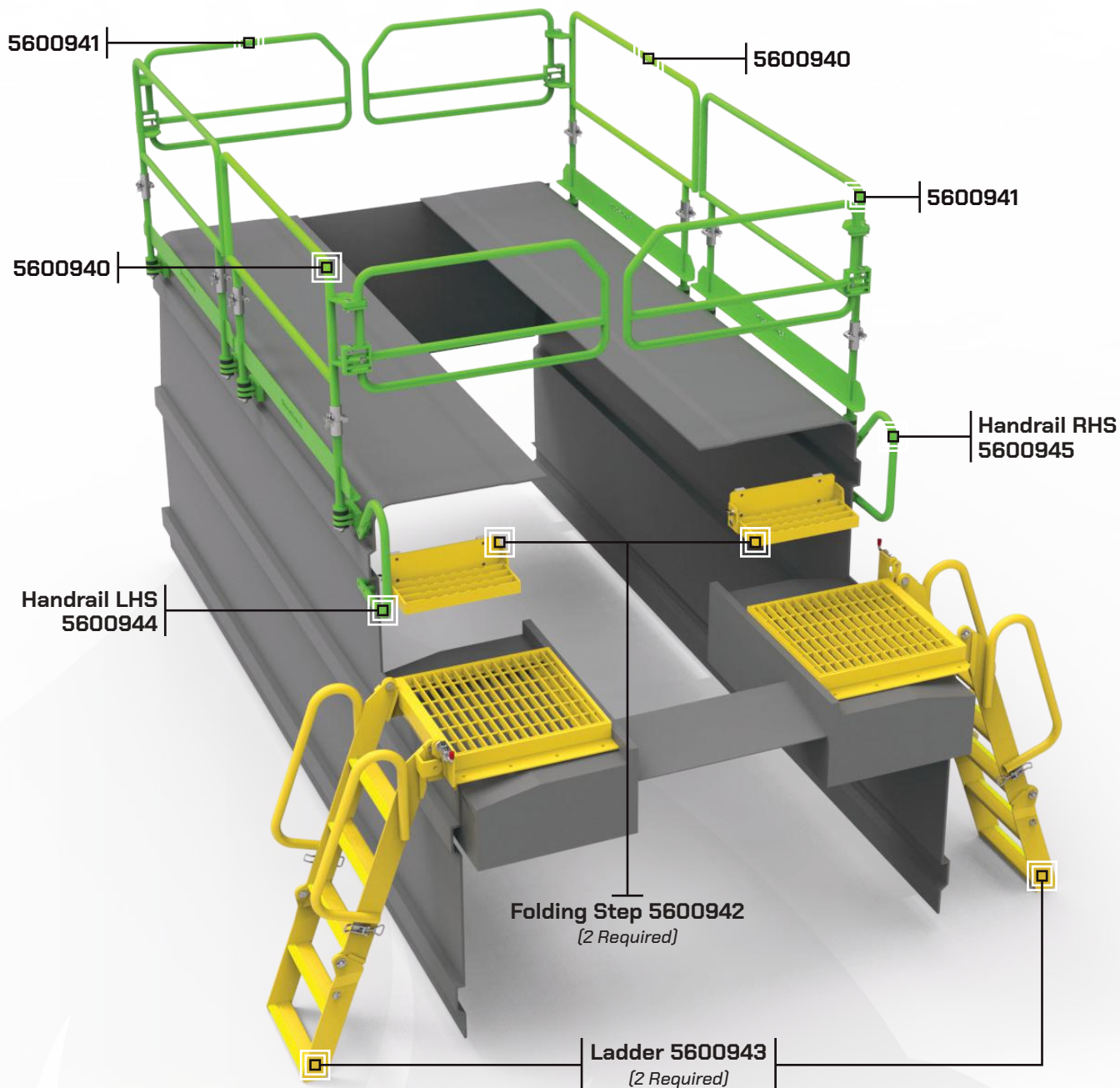


# ELPHINSTONE WR810 WATER CANNON



ELIMINATING DOWNTIME, MAXIMISING EFFICIENCY.













# ROX

BUILT BETTER 



**WEEKLY INSIGHTS INTO ALL THINGS MINING,  
BEYOND & THE PERSONALITIES BEHIND THE BRAND.**

**BREAKING  
ROX** 

    @breakingroxpodcast

Breaking ROX Podcast is dedicated to the ROX Mining Parts brand of the Bend-tech Group.

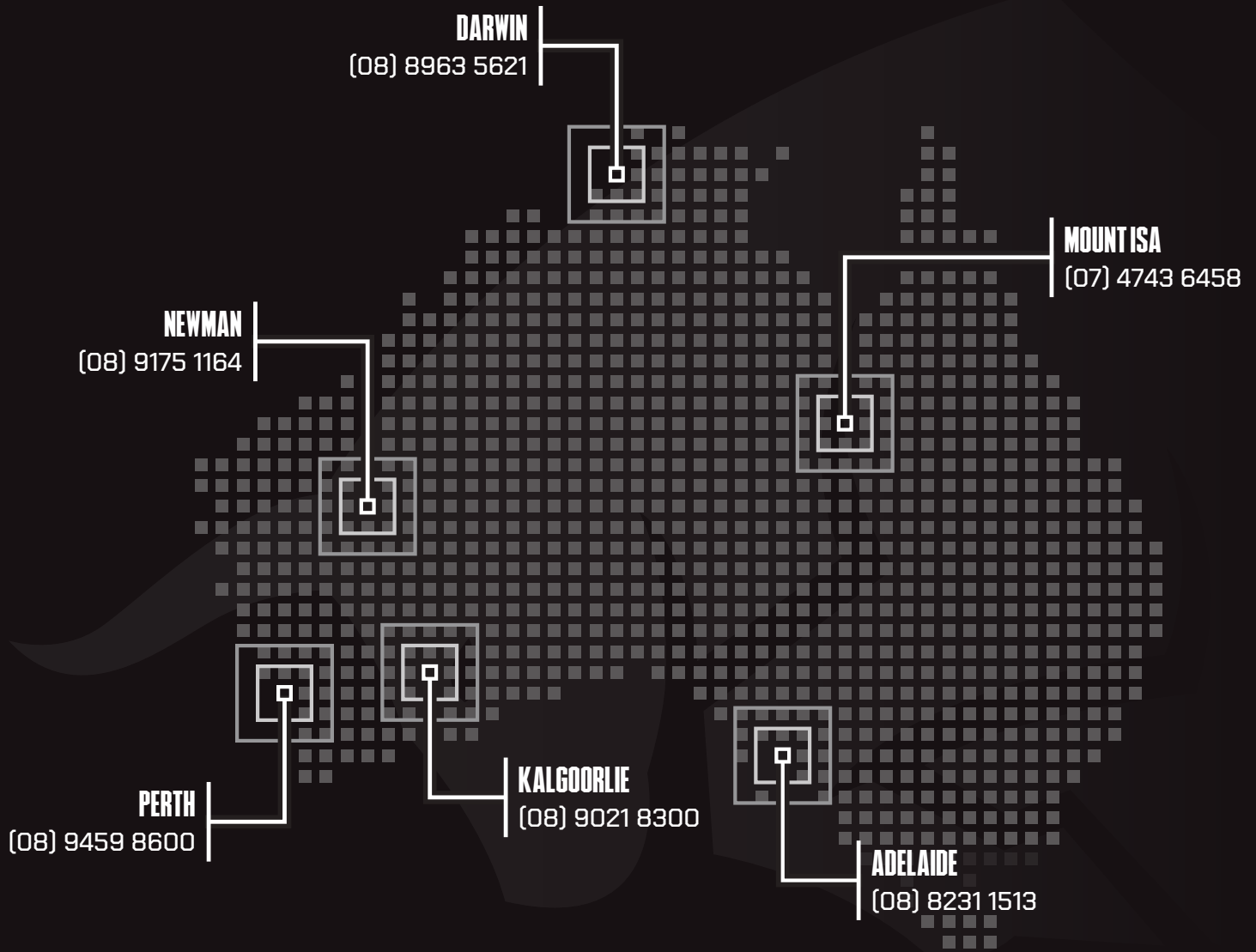
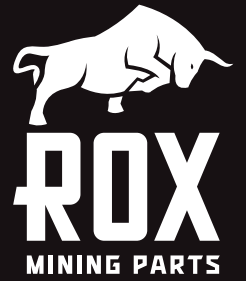
We discuss all things mining, safety, efficiency, downtime and aim to discuss wider related subjects with our guests. We want to dive into thought leadership and give perspective into the issues we see and solve in the mining space.

**ELIMINATING DOWNTIME, MAXIMISING EFFICIENCY.**

**ROX** 



# ELIMINATING DOWNTIME, MAXIMISING EFFICIENCY.



✉ [sales@bendtechgroup.com.au](mailto:sales@bendtechgroup.com.au)

🌐 [bendtechgroup.com.au](http://bendtechgroup.com.au)

