



***SOLUTIONS FOR CONFINED SPACE, FALL PROTECTION & LOAD ARREST***

***[www.globestocksafety.com](http://www.globestocksafety.com)***

# www.glob

## Welcome

Established in 1982, Globestock Safety manufacture and supply a wide range of high-quality solutions for confined space access, work at height and load arrest.

We take immense pride in our many years of British manufacturing heritage and to this day we engineer products that we are proud to put our name to. An in-house Design & Development department, backed-up by our manufacturing operation in the same building, alongside our quality test and inspection areas, all ensure we have control over every aspect of our products.

For products we don't manufacture ourselves, we select only the most reputable manufacturers and the very most reliable equipment.

We are equally proud to be ISO9001 certified and part of BSIF's Registered Safety Supplier scheme. You can be confident in our ability to deliver for you and your client.



+44 (0) 1691 654 966 | [info@globestocksafety.com](mailto:info@globestocksafety.com) | [www.globestocksafety.com](http://www.globestocksafety.com)

estocksafety.com



October 2024

Globestock Ltd. reserve the right to change specifications without prior notice.  
All information herein is copyright protected by Globestock Ltd. 2024.  
The Globestock name is a registered trademark of Globestock Ltd.  
The GUARD LOAD ARREST logo is a registered trademark of Globestock Ltd.

# SAVER



## FALL ARRESTER WITH RESCUE MECHANISM / SRL-R

The high-acclaimed SAVER is a retractable type fall arrester with an integrated emergency rescue mechanism (SRL-R 3-way).

May be used in conjunction with appropriate, certified anchorages and harnesses in confined space / fall protection applications.



SAVER fitted to a SENTRY Tripod



- Recovery winch with anti-run brake
- Shock absorbing brake mechanism
- Approx. 3 m per minute retrieval
- Stopping distance 0.6 m to 1 m
- Snaphook karabiner with fall indicator
- Synthetic rope option

Our TF heat-treated aluminium castings are ultra robust and durable, capable of withstanding the harshest conditions and rough treatment.

The rope is secured with a secondary backup feature to ensure full protection even at the rope termination.

## SAVER ACCESSORIES



**Arrester brackets** enable a SAVER or STOP fall arrester (SRL) to be securely fitted to a SENTRY Tripod.

GSE230AB14 (for 10-14 m)  
GSE230AB20 (for 20 m)  
GSE230AB34 (for 25-30 m)



Holdall Bag  
GSE-H/ALL

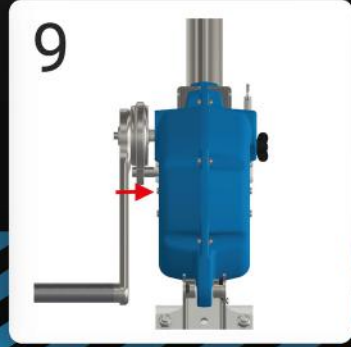
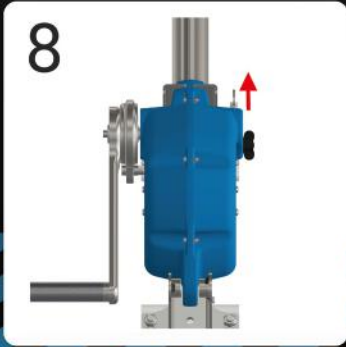
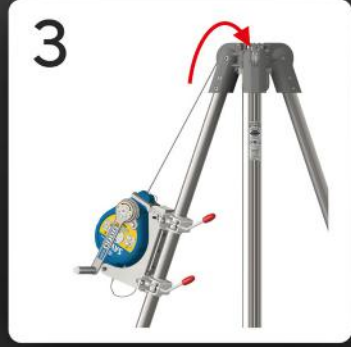
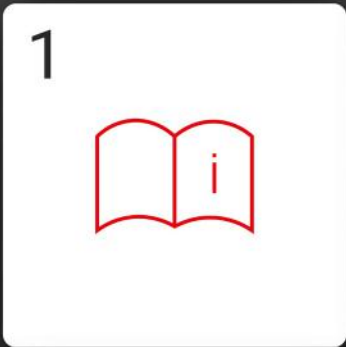


GSE430G

GSE414G

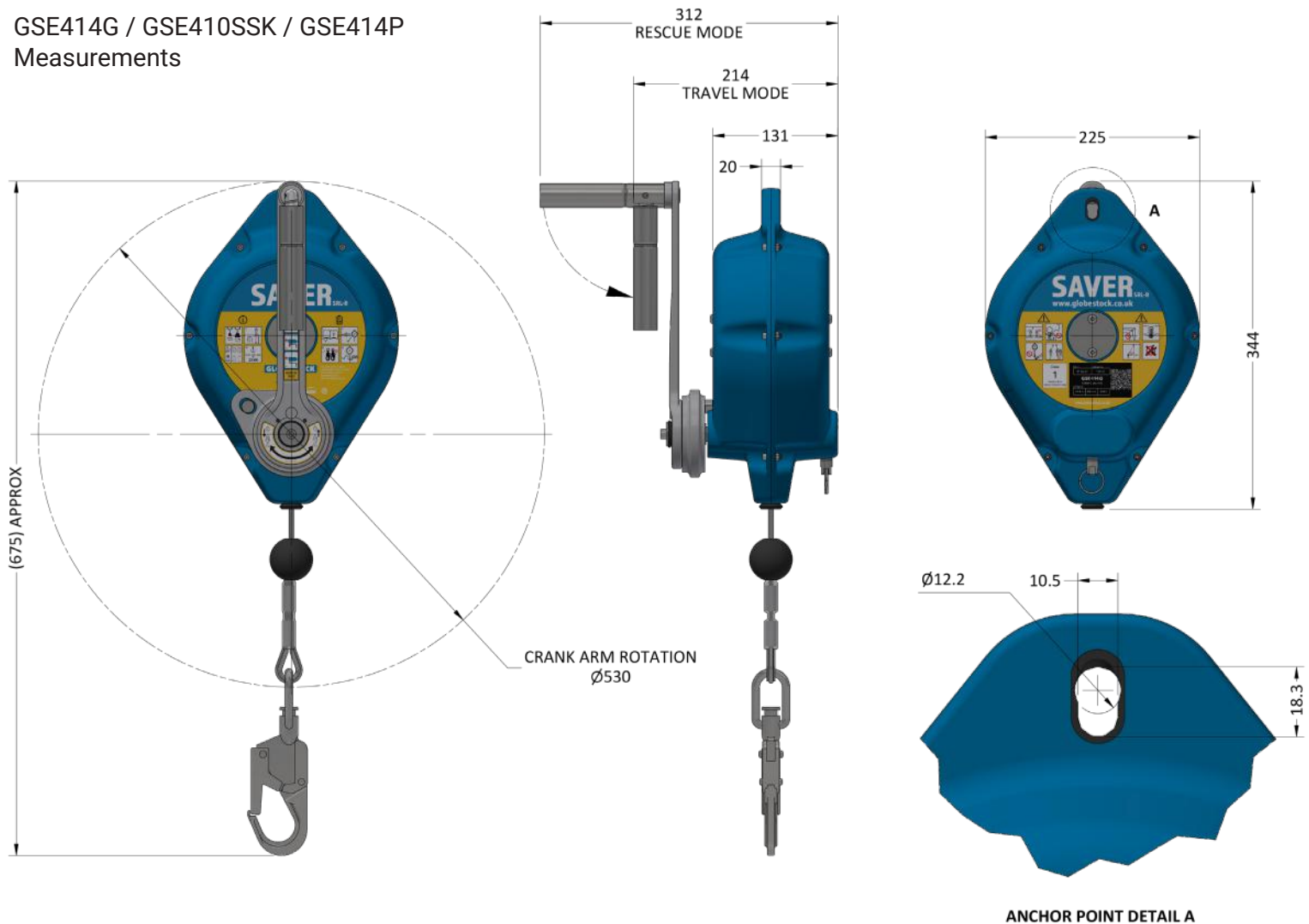
# SETTING UP THE SAVER SRL-R

**GLOBESTOCK**  
**SAFETY**



Product Code	Conformity	Max. Working Load	Min. Working Load	Lifeline Length	Lifeline / Snap Hook Material
GSE414G	EN 360: 2023 / EN 1496:2017 Class A / ANSI/ASSP Z359.14-2021 / CSA Z259.2.2-17 / AS-NZS 1891.3-2020	141 kg / 310 lb	60 kg / 132 lb	14 m / 46 ft	Zinc plated steel
GSE410SSK				10 m / 32 ft	Stainless steel
GSE414P				14 m / 46 ft	Synthetic life-line, zinc plated steel snap hook
GSE430G				30 m / 98 ft	Zinc plated steel
GSE425SSK				25 m / 82 ft	Stainless steel
GSE430P				30 m / 98 ft	Synthetic life-line, zinc plated steel snap hook

GSE414G / GSE410SSK / GSE414P  
Measurements



# SENTRY



## CONFINED SPACE ACCESS TRIPOD

The SENTRY Tripod is an EN 795 (B) + TS16415 anchorage device that is durable and lightweight. It provides a secure and stable anchorage for confined space access.

**SENTRY TRIPOD**

**GLOBESTOCK WINCH**

**SAVER  
SRL-R**





May be used as an anchor by more than one person simultaneously, providing the max. working load is not exceeded.

Available in two different sizes:  
*Compact* (GSE230C) / *Standard* (GSE230S)

- Robust and lightweight
- Simple folding design
- Three pulley head
- Two person

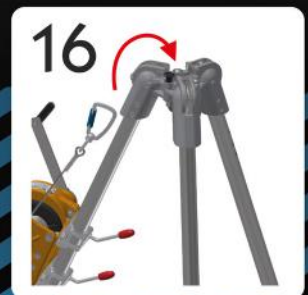
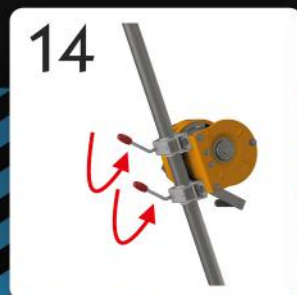
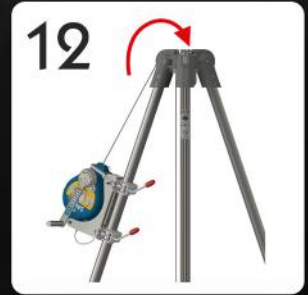
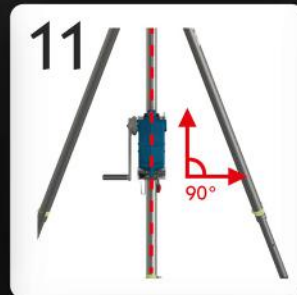
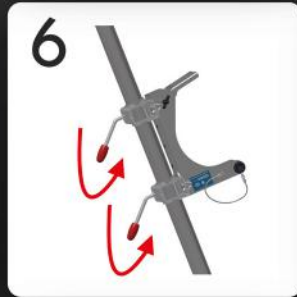


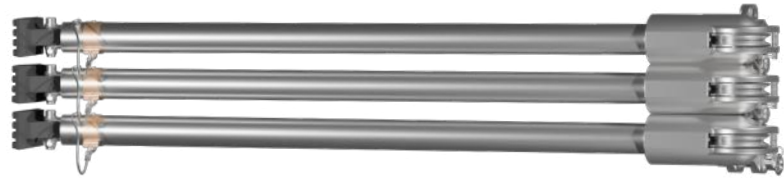
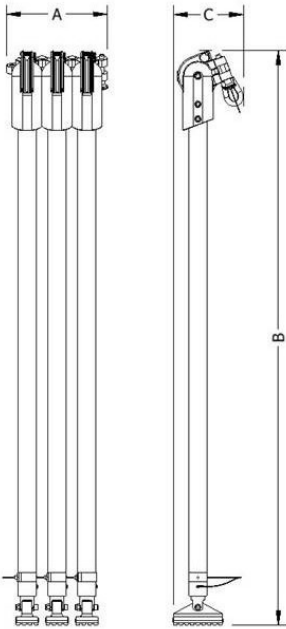
Product Code	MWL	Weight (Approx)	Conformities
GSE230C	200 kg (personnel)	18.3 kg	EN 795 TS16415 2006/42/EC ANSI Z359.18
GSE230S	250 kg (loads)	20.8 kg	



# SETTING UP A TRIPOD KIT

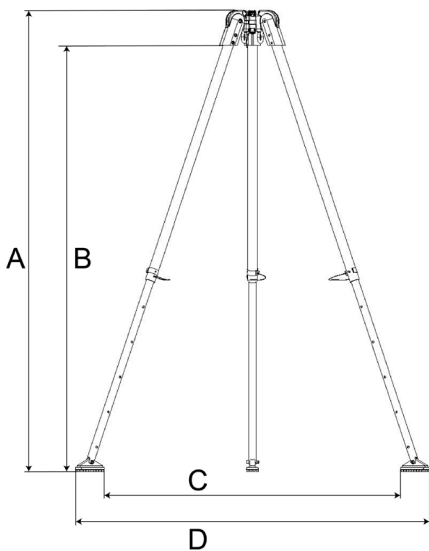
**GLOBESTOCK**  
**SAFETY**





### Folded dimensions (mm):

SIZE	A	B	C
COMPACT (GSE230C)	270	1217	180
STANDARD (GSE230S)	270	1527	180



### Assembled dimensions (mm):

SIZE / CODE	A	B	C	D
COMPACT (GSE230C) *	1131	963	841	1112
COMPACT (GSE230C) **	1747	1579	1315	1585
STANDARD (GSE230S) *	1421	1253	1064	1334
STANDARD (GSE230S) **	2307	2172	1744	2015

\* at lowest setting

\*\* at tallest setting

## TRIPOD BAG

### Tripod Bag GSETB230

- Document window
- Wheels
- Internal straps
- Water resistant fabric and zip
- 1000D Cordura

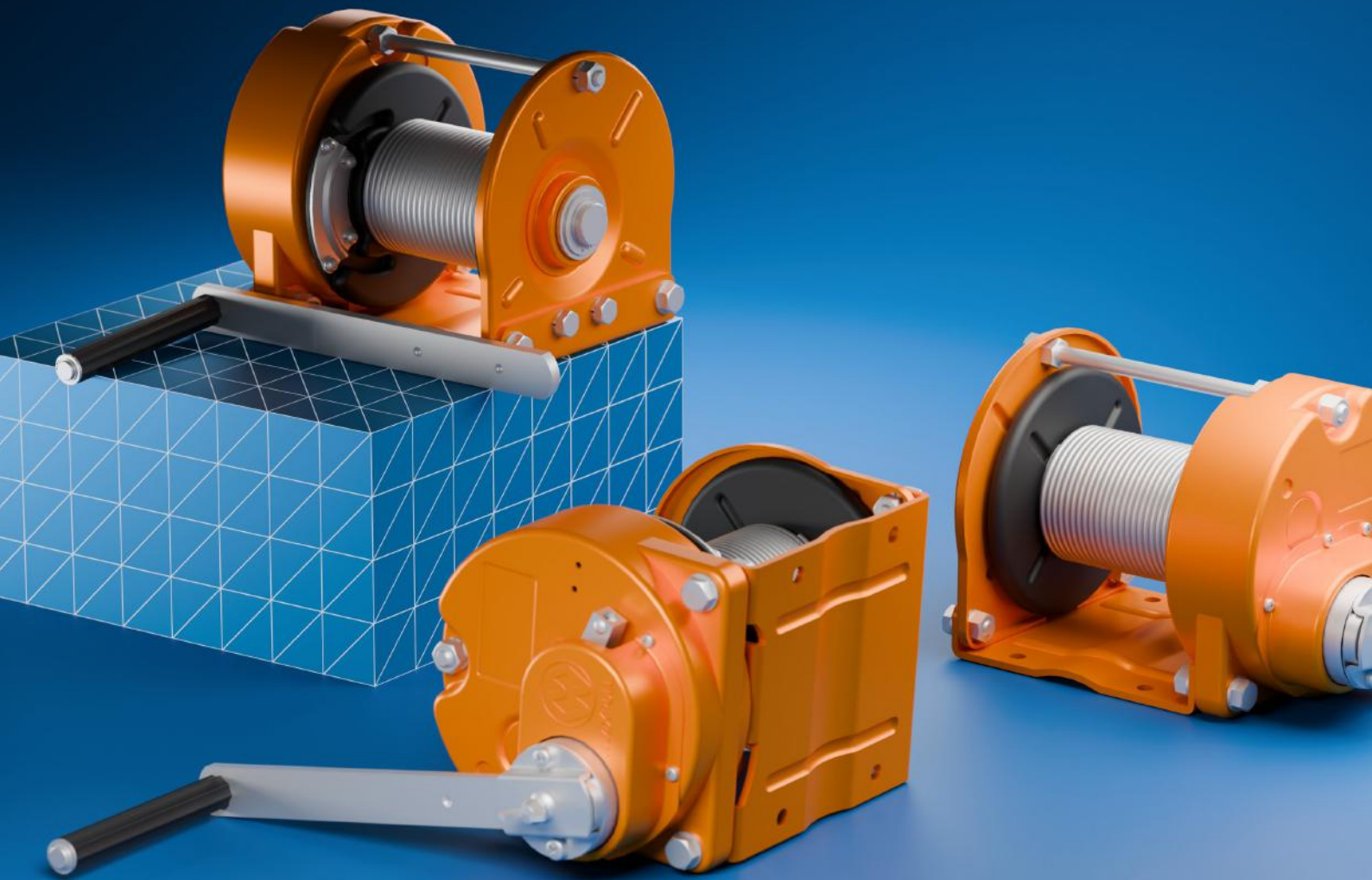


# WINCH



## WINCH FOR LIFTING PERSONNEL OR MATERIALS

The Globestock WINCH is specifically certified for the lifting of both personnel and materials. It is a personnel winch that may also be used for load lifting.

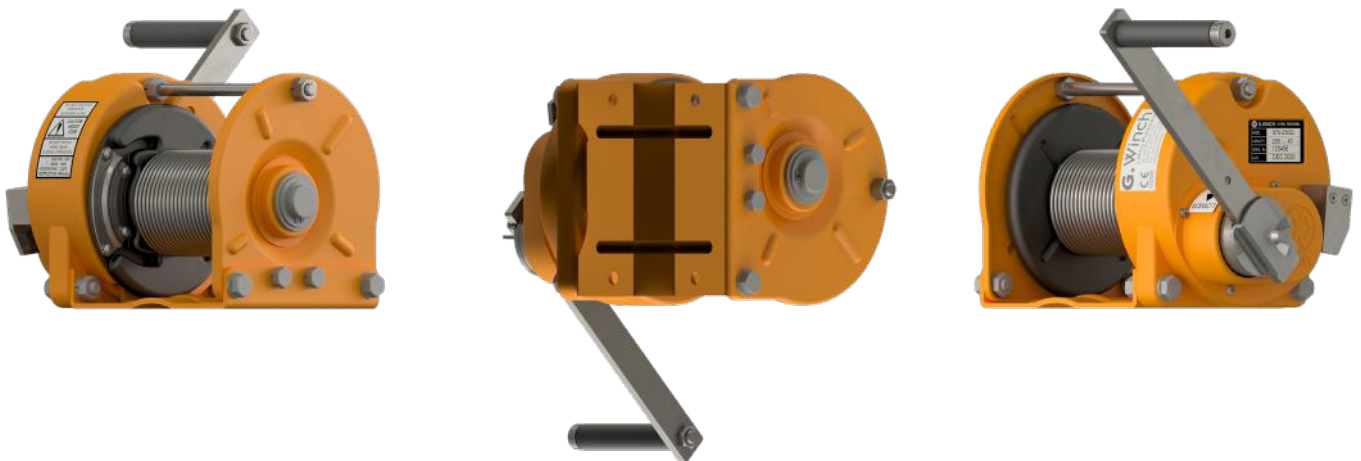


The anti-run braking mechanism means that, if the winding arm is released during lifting, the winch automatically locks, holding the person / load steady until the handle is rotated again by the operator.

The 1:8.9 gear ratio makes personnel lifting easy, and delivers 50 mm of rope retrieval per rotation.

May be mounted to various anchorages, including the SENTRY Tripod and XTIRPA range.

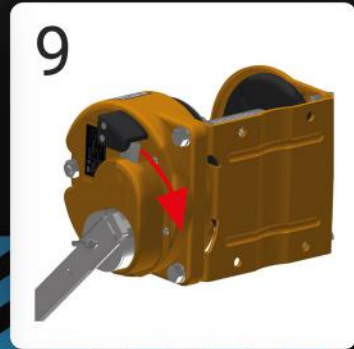
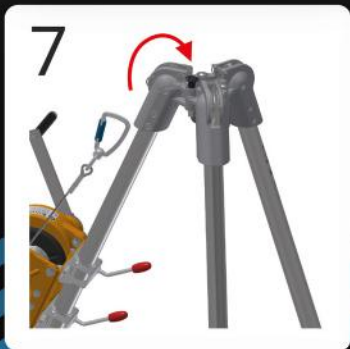
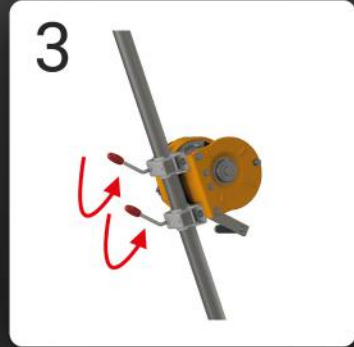
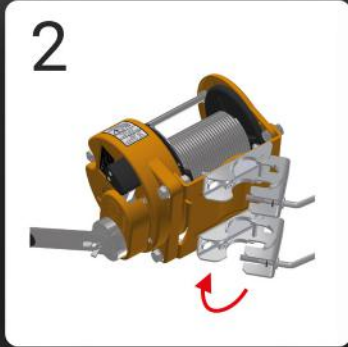
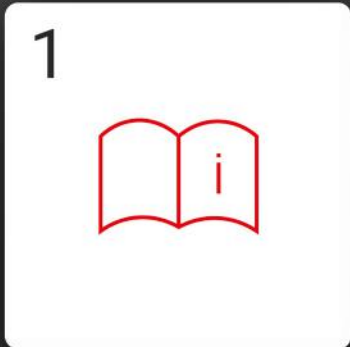
- **Up to 250 kg MWL**
- **Heavy duty**
- **Anti-run brake**
- **Up to 40 m rope**
- **Galvanised or stainless steel rope**

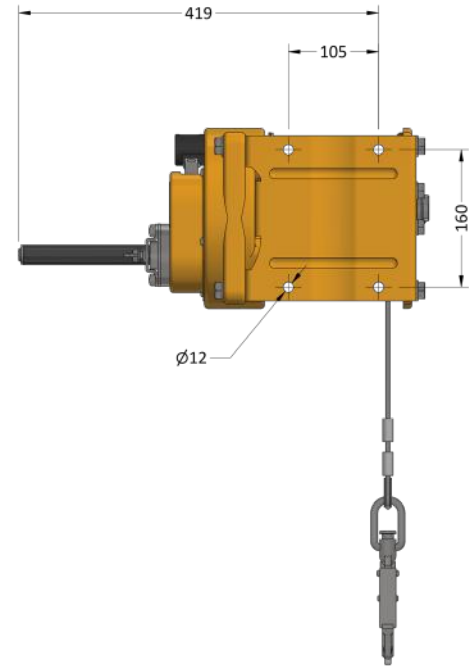
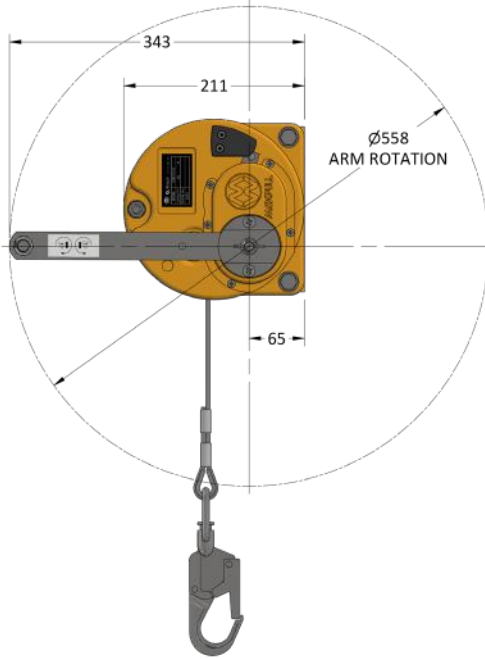
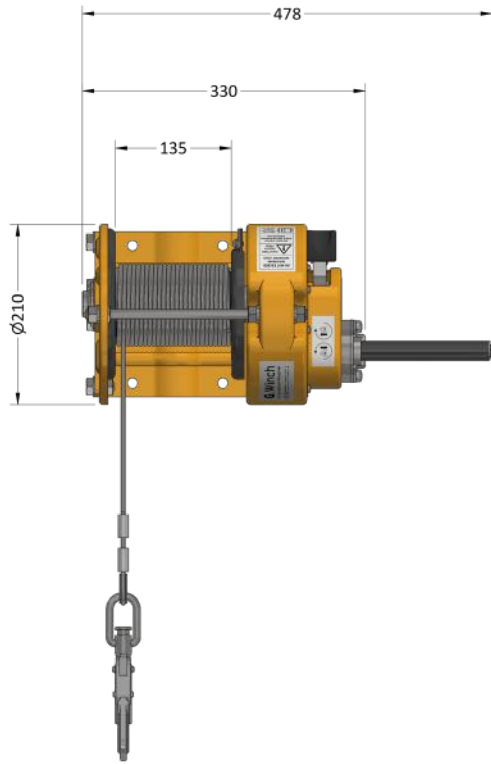


Product Code	MWL	Weight (Approx.)	Max. Rope Length	Rope Kit
GSE070-02-20G	250 kg	20.5 kg	20 m	Galvanised steel rope & karabiner
GSE070-02-40G		22 kg	40 m	
GSE070-02-40SSK	200kg	22 kg	40 m	Stainless steel rope & karabiner

# SETTING UP THE GLOBESTOCK WINCH

**GLOBESTOCK**  
**SAFETY**





## WINCH ACCESSORIES



WINCH Bracket  
(for XTIRPA anchorages)  
GSE200WBX



Winch Bracket Assembly x2  
(for SENTRY Tripod)  
GSE200WBK



Holdall bag  
GSE-H/ALL



250 kg Lifting Pulley  
GSE070250USP

# STOP

# CE

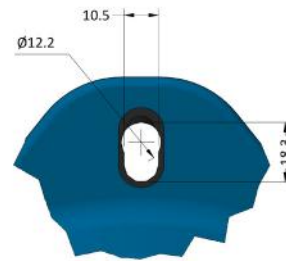
## FALL ARRESTER / SRL

The STOP is a durable fall arrest block (SRL 2-way) with a steel or synthetic cable. Engineered to remain in service for longer and conform to the latest EN 360:2023.





- Shock absorbing brake
- Stopping distance 0.6 m to 1 m
- Snaphook karabiner with fall indicator
- Steel or synthetic lifeline options
- Built to last
- Includes top karabiner



ANCHOR POINT DETAIL A



KARABINER DETAIL B

Product Code	Conformity	Max. Working Load	Min. Working Load	Lifeline Length	Lifeline / Snap Hook Material
GSE510SSK	EN 360: 2023	141 kg / 310 lb	60 kg / 132 lb	10 m / 32 ft	Stainless steel
GSE514G				14 m / 46 ft	Zinc plated steel
GSE514P					Synthetic lifeline, zinc plated steel snap hook
GSE525SSK				25 m / 82 ft	Stainless steel
GE530G				30 m / 98 ft	Zinc plated steel
GSE530P					Synthetic lifeline, zinc plated steel snap hook

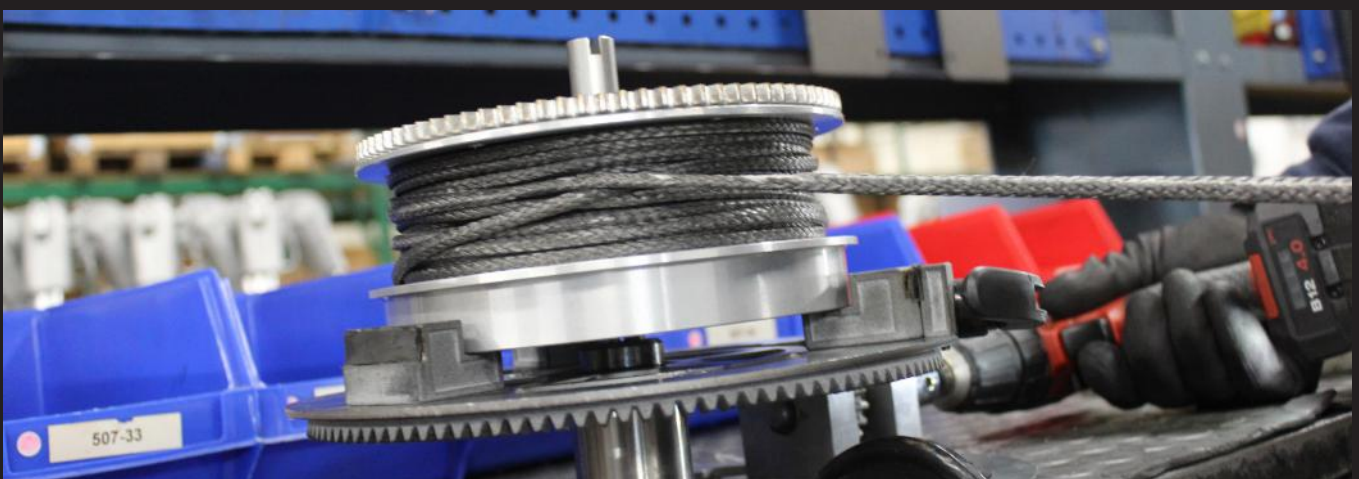
## SYNTHETIC ROPE OPTION

The SAVER & STOP fall arresters are available with a steel or synthetic lifeline.

The new synthetic models follow the same construction and function of the popular SAVER/STOP fall arrester range, but are fitted with a high performance HMPE fibre lifeline. Using synthetic ropes for fall arrest systems can offer several benefits compared to traditional materials like steel cables:



- **Lightweight:** Synthetic ropes are significantly lighter than steel cables, making them easier to handle and transport.
- **Energy Absorption:** Synthetic ropes have some inherent elasticity, which means they will absorb energy in the event of a fall.
- **Corrosion Resistance:** Unlike steel cables, synthetic ropes are not susceptible to rust or corrosion.
- **Improved Handling:** Synthetic ropes are generally easier to handle than steel cables. They are less prone to causing hand injuries due to fraying or sharp edges.
- **Maintenance:** Synthetic lifelines are less likely to split, deform or kink in the way metal lifelines sometimes do.
- **Reduce Electrocution Risk:** This new product variant was specifically requested by several customers who work with electrical networks.



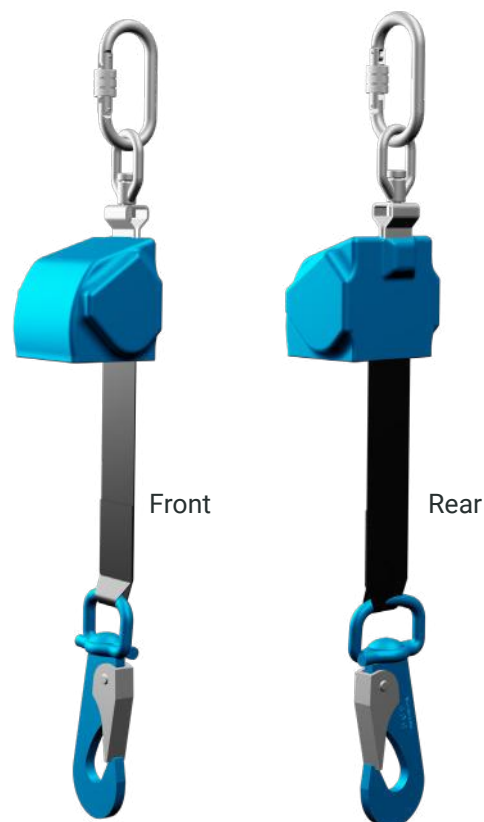
High grade synthetic rope being fitted to a SAVER rope drum

## WEBBING BLOCK / PFL

The AUTOREEL keeps the webbing lifeline taught against the user and eliminates the potential for slack webbing, which reduces freefall distance.

An impact-absorbing casing gives good protection with high durability, and the unit features a shock absorbing element.

The quick acting locking mechanism results in lower forces being exerted on the user's body during a fall, thereby reducing the risk of injury.



Product Code	Conformity	Max. Working Load	Lifeline Length	Top connector
GSE1050	EN 360: 2002	140 kg / 308 lb	2.5 m / 8 ft	Equal D Karabiner
GSE1050SC				Scaffold Hook Karabiner

- Just 1.25 kg (GSE1050)
- Integrated shock absorber
- Fall indicator



# GUARD LOAD ARREST



## LOAD ARRESTORS

Guard load arrestors are heavy-duty fall arrest blocks for protecting equipment that is suspended at height.

- For loads from 150 kg to 1500 kg
- Rope lengths up to 25 m
- Shock absorption minimises damage
- Fall indicator lens for easy monitoring
- Galvanised or stainless steel rope options
- Rope automatically extends / retracts



GUARD150  
GUARD300-10



GUARD300-25  
GUARD500



GUARD800  
GUARD1000  
GUARD1500

**#GuardAgainstGravity**

### What is a load arrestor?

Load arrestors provide a secondary safety back-up for overhead loads, used in conjunction with a primary lifting device or support, such as a hoist or fixed anchorage. If the primary support fails, the load arrestor will automatically stop the load from falling, thereby preventing damage to the load and, more importantly, protecting people below.

Guard load arrestors have a high-strength retractable rope that extracts and retracts, following the movement of the load. This means Guards can be fitted to equipment that needs to be moved (dynamic loads), as well as to non-moving (static) loads.

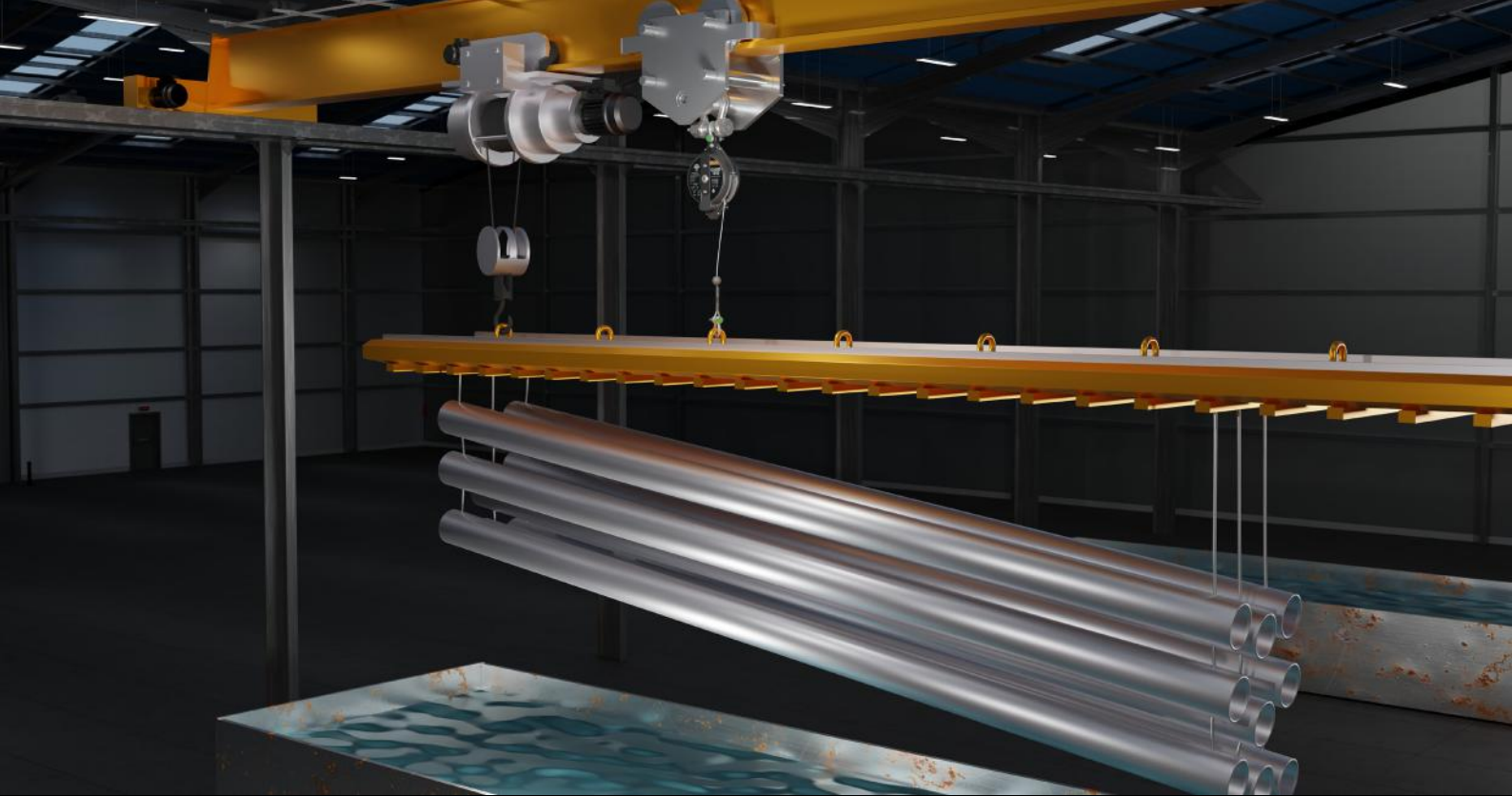


Name	Product Code	Maximum Working Load		Rope Length		Wire Rope Material	Minimum Anchor Strength		Maximum Running Speed	
		kg	lbs	m	ft		kN	lbf	m s <sup>-1</sup>	ft s <sup>-1</sup>
GUARD150	GUARD150-14G	150	330	14	46	Galvanised Steel	7.4	1,663	1	3.280
	GUARD150-14S	150	330	14	46	Stainless Steel	7.4	1,663	1	3.280
GUARD300	GUARD300-10G	300	660	10	33	Galvanised Steel	14.1	3,169	0.7	2.297
	GUARD300-10S	300	660	10	33	Stainless Steel	14.1	3,169	0.7	2.297
	GUARD300-25G	300	660	25	82	Galvanised Steel	14.1	3,169	0.7	2.297
	GUARD300-25S	300	660	25	82	Stainless Steel	14.1	3,169	0.7	2.297
GUARD500	GUARD500-10S	500	1,100	10	33	Stainless Steel	20.6	4,631	0.7	2.297
	GUARD500-24S	500	1,100	24	79	Stainless Steel	20.6	4,631	0.7	2.297
	GUARD500-10G	500	1,100	10	33	Galvanised Steel	20.6	4,631	0.7	2.297
	GUARD500-24G	500	1,100	24	79	Galvanised Steel	20.6	4,631	0.7	2.297
GUARD800	GUARD800-10S	800	1,760	10	33	Stainless Steel	45.1	10,123	0.6	1.969
GUARD1000	GUARD1000-10G	1000	2,200	10	33	Galvanised Steel	45.1	10,123	0.6	1.969
GUARD1500	GUARD1500-10G	1500	3,300	10	33	Galvanised Steel	63.3	14,230	0.6	1.969



GUARD300-10

GUARD300-25



Load arrestors provide fall protection for equipment. There are a huge number of applications where load arrestors may be deployed, across a range of industries. Do you lift or suspend equipment that cannot be allowed to drop? If so, consider installing a Guard Load Arrest device as a safeguard in case the primary lifting equipment fails.



A Guard's cable automatically extends and retracts, following the movement of the load. This is ideal for loads that need to move, and often means the cable does not need to be disconnected when changing lights or speakers, for example.

## INSTALLATION EXAMPLES



**Single Hoist Installation**

A Guard Load Arrest device running in conjunction with your primary lifting equipment can help you to establish a safe system of work that minimises risk.

Need help?

Visit [www.guardloadarrest.com](http://www.guardloadarrest.com)

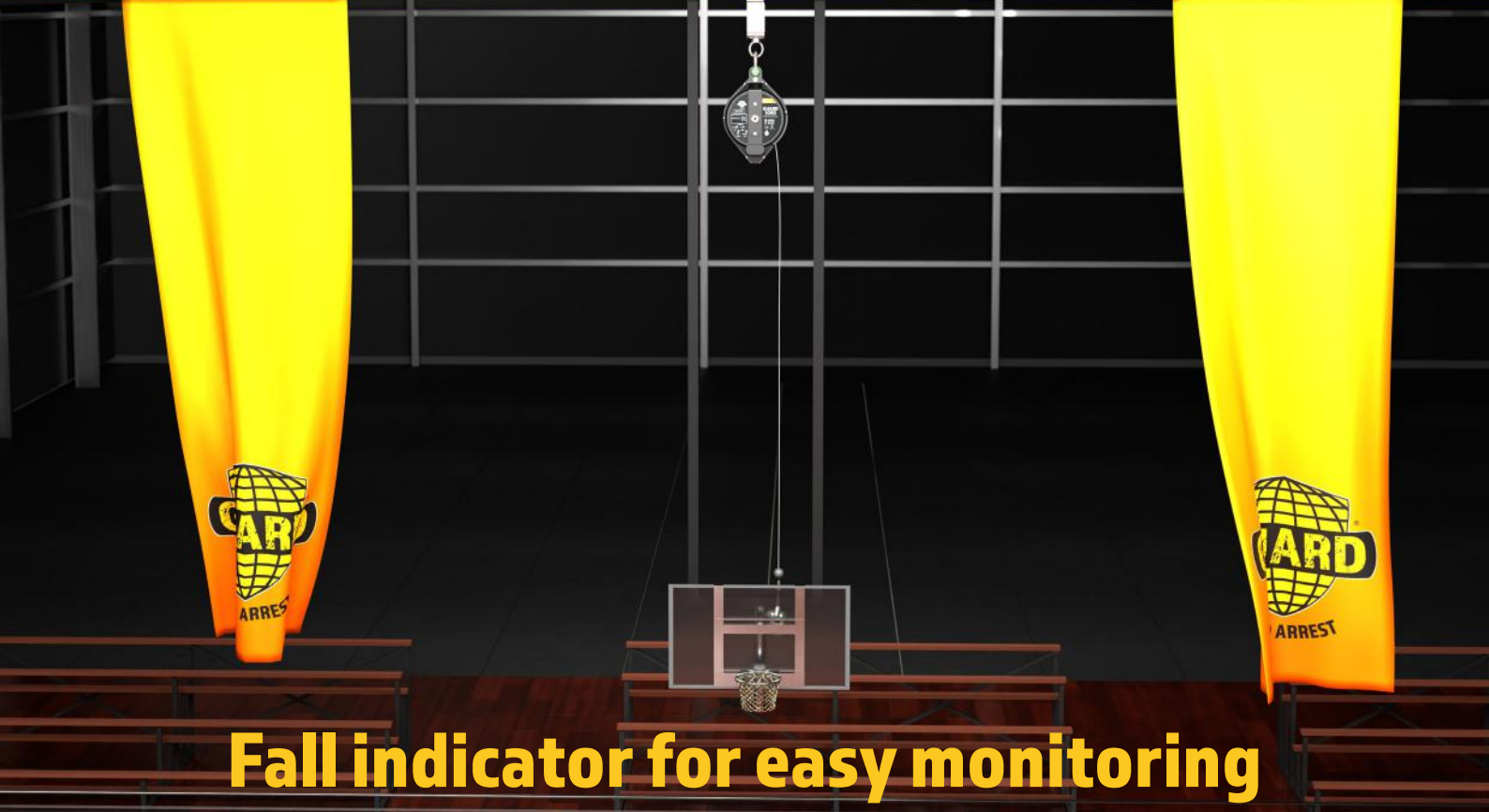


**Multiple Hoist Installation**



**Pulley Connector Installation**

**Protect loads from 150 kg  
to 1500 kg**



**Fall indicator for easy monitoring**





**Rope lengths up to 25 m**



**Galvanised or  
stainless steel  
rope options**

# XTIRPA™

## **Modular solutions for confined space.**

Globestock Safety are proud XTIRPA partners, distributing their acclaimed product range throughout the UK and Ireland.

XTIRPA are committed to the design of high-quality, light weight, durable, versatile, and most innovative confined space rescue/retrieval systems and fall protection systems on the market.

For years, crews worked in confined spaces that did not have adequate systems to ensure a safe working environment.

XTIRPA's core mission is to guarantee safety by providing solutions that will help industries minimise injuries and maintain a safe workplace environment for confined space crews.

At XTIRPA, the experienced, dedicated staff design and manufacture confined space equipment to create safer, confined space, work environments.

bestockingsafety.com



# XTIRPA™ DAVIT ARMS



## IN-2210



Reach up to 610 mm  
Weight 16 kg  
MWL 164 kg

Versatile, fast and innovative. Use with mast IN-2003.

## IN-2237



Reach 762 to 1219 mm  
Weight 23 kg  
MWL 164 kg

Mid-reach davit. Also available in an anodised finish (IN-2237P).

## IN-2197



Reach 1524 to 2438 mm  
Weight 62 kg  
MWL 164 kg

Longest reaching option.





**IN-2363**

**Reach** 229 mm  
**Height** 920 mm  
**Weight** 7 kg



**IN-2395**

**Reach** 381 mm  
**Height** 920 mm  
**Weight** 10 kg



**IN-2395P**  
Anodised



**IN-2483**

**Reach** 610 mm  
**Height** 1606 mm  
**Weight** 23 kg



IN-2197

IN-2237

IN-2210  
+ IN-2003

IN-2483

Offset Bracket  
A2395-07  
(for fitment of  
Globestock  
WINCH)

# XTIRPA™ MASTS

**IN-2003**



Davit Arm	Height Option		
IN-2210	1145 mm (IN-2003)		
IN-2363	381 mm IN-2044	457 mm IN-2109	610 mm IN-2045
IN-2395			
IN-2483			
IN-2237	508 mm IN-2426	1067 mm IN-2240 / IN-2240P anodised	1524 mm IN-2313
IN-2197	610 mm IN-2470	1067 mm IN-2199	1372 mm IN-2414

# XTIRPA™ SOCKETS



XTIRPA sockets are available in zinc-coated, 304 stainless or 316 stainless steel. See the table opposite for the types and materials available.

# FIXED SOCKETS

Davit System	610 mm Arms IN-8016			1200 mm Arms IN-8005			2450 mm Arms IN-8006	
Material / Type *	Zinc coated	304 Stainless	316 Stainless	Zinc coated	304 Stainless	316 Stainless	304 Stainless	316 Stainless
	IN-2137	IN-2105	IN-2329	IN-2304	IN-2254	IN-2451	IN-2201	
	IN-2106	IN-2005	IN-2311	IN-2302	IN-2238	IN-2452		
	IN-2107	IN-2013	IN-2327	IN-2303	IN-2253	IN-2468	IN-2420	
 8" offset		IN-2124						
 14" offset		IN-2067	IN-2312					
	IN-2114	IN-2006	IN-2325		IN-2266			
		IN-2007	IN-2326		IN-2382			
		IN-2097	IN-2328		IN-2255			
							IN-2546	IN-2544
		IN-2117			IN-2516	 Socket Caps (available separately) prevent dirt and water entering sockets when they are not in use.		
	IN-2132	IN-2131						
	IN-2134	IN-2133						
								

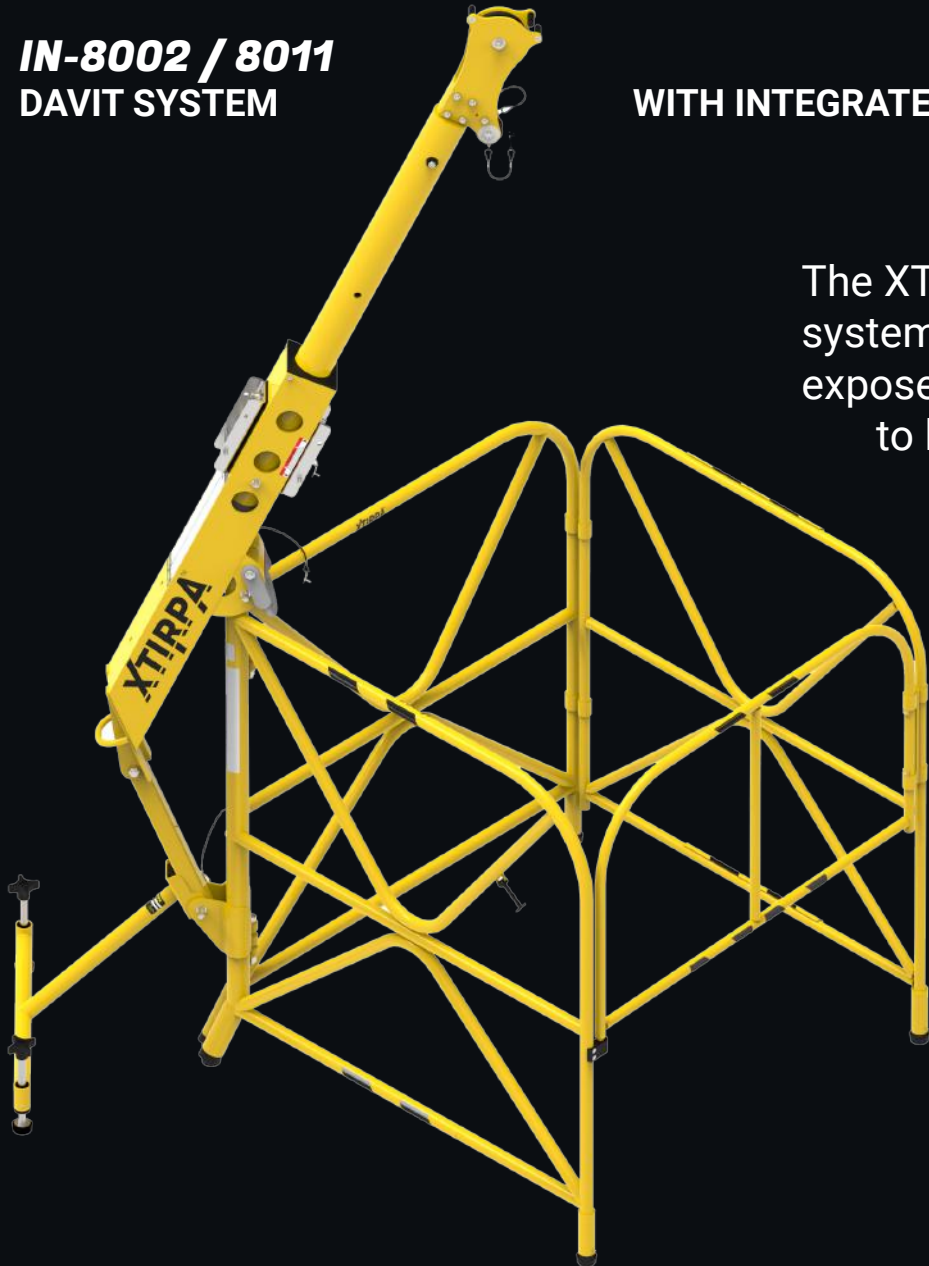
\*images for illustrative purpose only. Design may vary between each item code.

# XTIRPA™ GUARDRAIL



**IN-8002 / 8011**  
DAVIT SYSTEM

**WITH INTEGRATED MAST AND BARRICADE**



The XTIRPA Guardrail davit system is used when an exposed entry point needs to be guarded. This portable system has an integrated mast that is used in conjunction with a davit arm to provide fall protection, entry and retrieval.

Use with davit IN-2210.





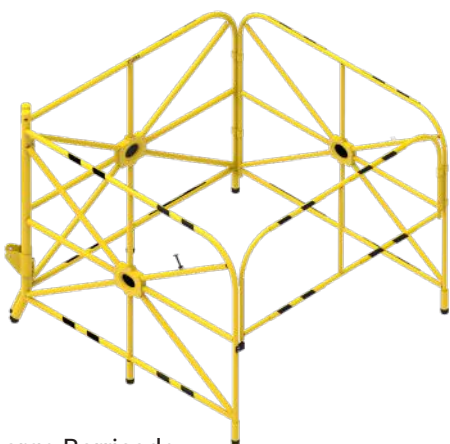
# XTIRPA™

- Protect exposed edges
- Gate opens for simple access
- Barricade extensions available
- Fast and easy to assemble
- Folds flat for storage
- Lightweight aluminium
- Adjustable davit arm length
- Square or V configuration



Deployed in the V configuration (A2108-20 Stabiliser required)

## GUARDRAIL ACCESSORIES



Large Barricade  
IN-2324



Barricade Extension  
IN-2101  
May be deployed in various  
configurations. One than one  
can be linked together.



Wheeled Stabiliser  
A2108-20  
Enables the barricade to be used in the  
open V configuration. Wheels allow the  
system to be moved short distances  
more easily.

# XTIRPA™ COUNTERWEIGHT



**IN-8007 / 8012**

## DAVIT SYSTEM WITH COUNTERWEIGHT BASE

A counterweight system is ideal when you need to move and access various confined spaces entry points in the same area. Consisting of a central T-base unit with a number of options for anchoring, positioning, leg adjustment and extension, this is a system designed for versatility.

Use with XTIRPA davit arms except IN-2197.

610 mm and 1200 mm reach options.

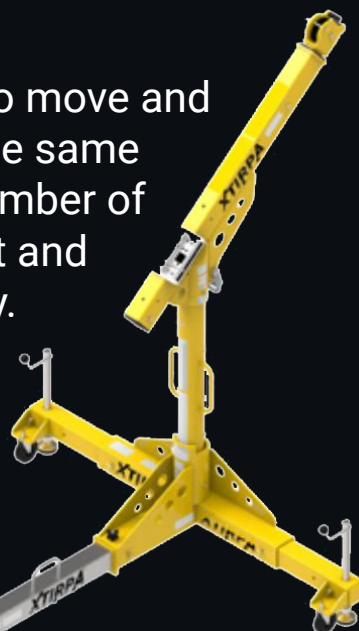


Wheeled Cart  
IN-2525



Weights  
P2525-017eu (each)

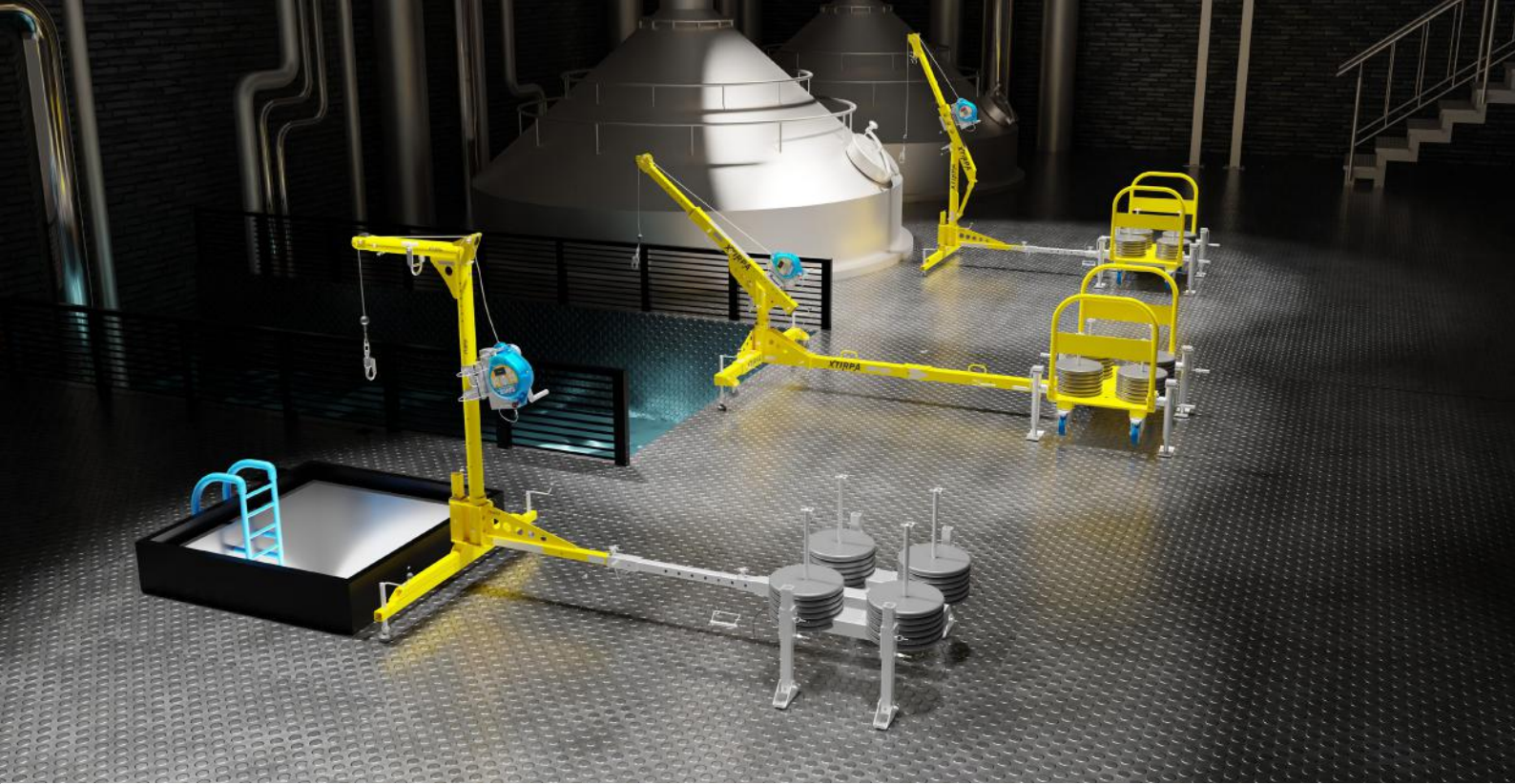
Static Cart  
A2305-90



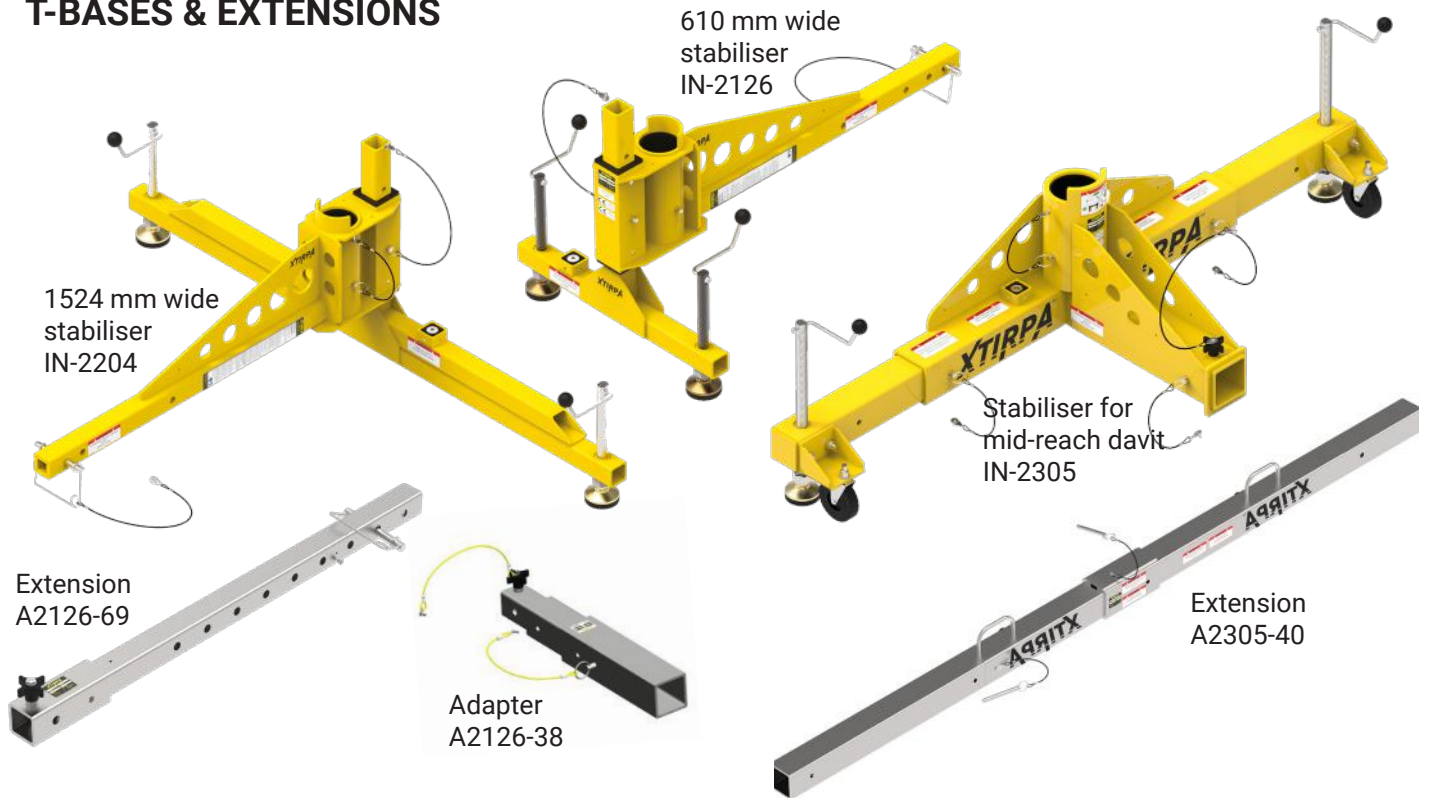
**Wheeled Cart:** heavy duty casters make positioning simple.

**Static Cart:** fork slots for moving with forklifts.





## T-BASES & EXTENSIONS



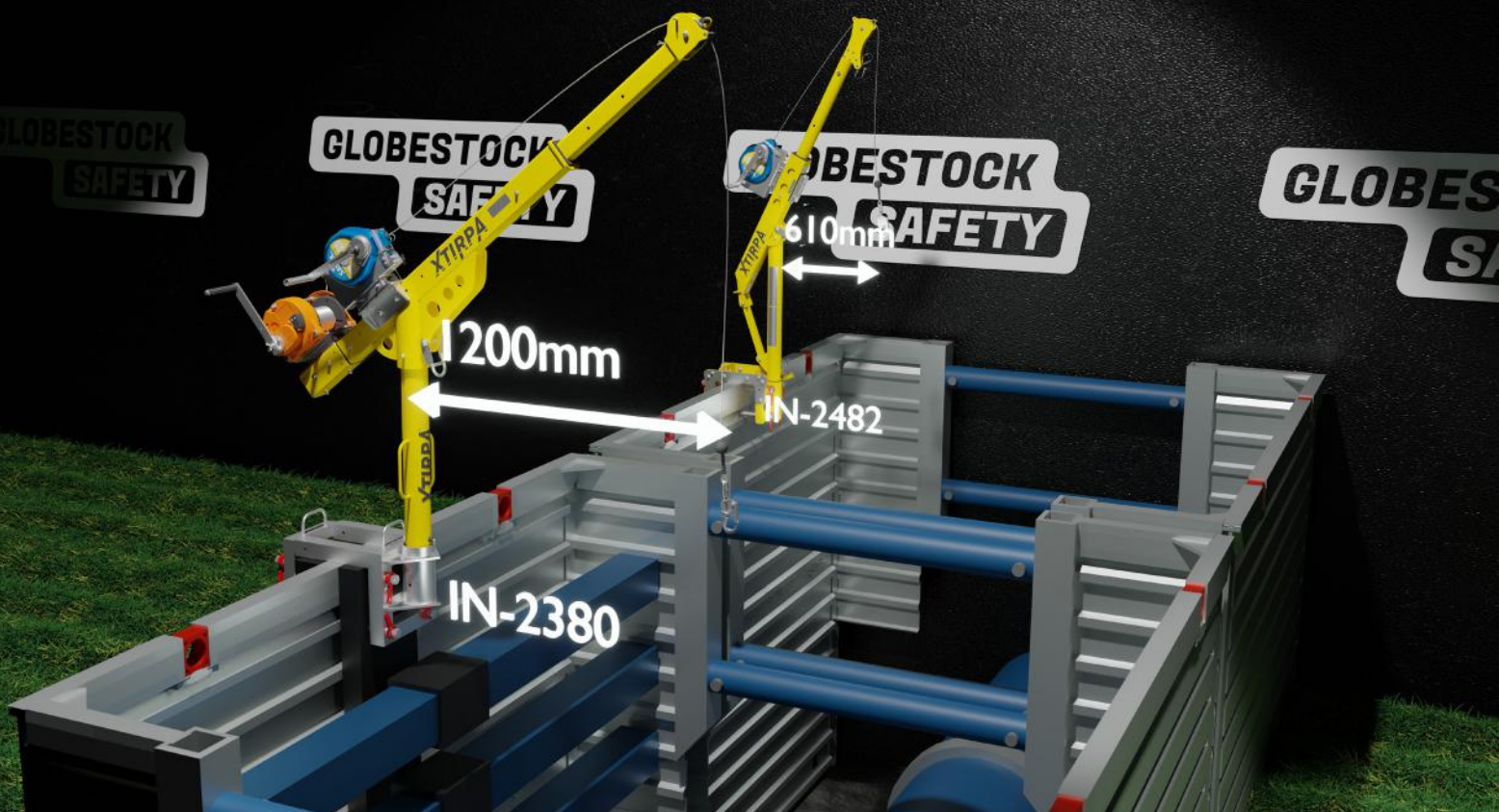
System Compatibility Table

Davit	T-Base	Extension	Cart	Weights
IN-2210	IN-2204 or IN-2126	A2126-69 + A2126-38	IN-2525 or A2305-90	P2525-017eu
IN-2363				
IN-2395				
IN-2483				
IN-2237	IN-2305	A2305-40		

# XTIRPÄ™ TRENCH BASES



XTIRPÄ™	IN-2021	IN-2129	IN-2315	IN-2560	IN-2482
Features	Weight: 17 kg 304 stainless steel	Weight: 21 kg Zinc-plated steel	Weight: 22 kg Zinc-plated steel	Weight: 32 kg 304 stainless steel Fitted spanners	Weight: 23 kg Aluminium Fitted spanners Ladder retainer
Wall Size	0 to 76 mm	0 to 76 mm	51 to 127 mm	0 to 26 mm	51 to 267 mm
MWL	164 kg				
Application	Thin sheet	Thin sheet	Trench / shoring	Pile sheet	Trench / shoring



# IN-8005 / 8018

## WALL CLAMPS FOR TRENCHING / SHORING

IN-2380	IN-2008	IN-2168	IN-2251	IN-2075	IN-2125
					
Weight: 49 kg Zinc plated steel Fitted spanners Use with <b>IN-2237</b>	Weight: 30 kg Aluminium Fitted spanners	Weight: 31 kg Aluminium Caster wheels Fitted spanners	Weight: 32 kg Aluminium	Weight: 50 kg Aluminium Caster wheels Stability levers Fitted spanners	Weight: 52 kg Aluminium Caster wheels Stability levers Fitted spanners
254 to 432 mm	152 to 400 mm	305 to 610 mm	305 to 762 mm	305 to 797 mm	610 to 1147 mm
164 kg					
Wall adapter	Shoring / wall adapter	Wall adapter	Shoring / wall adapter	Wall adapter	Wall adapter



# XTIRPA™ HITCH MOUNT

## IN-8007 / 8012 PORTABLE ACCESS SYSTEM

The hitch mount davit system provides a portable confined space access system with a hitch attachment for vehicles and other anchor points. Available for either short reach (610 mm) or mid-reach davit arms (1200 mm).



## T-BASE STABILISER



610 mm davit arm (IN-2210) with T-base (IN-2305), 90° extension (A2126-10) and vehicle hitch adapter (IN-2517)

# XTIRPA™ HITCH ANCHORS



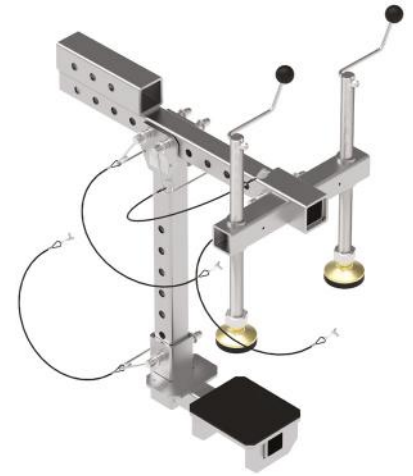
Anchor Bolt Adapter  
A2126-21



Short C-Clamp  
A2126-14



Long C-Clamp  
A2126-33



Mezzanine C-Clamp  
A2126-50



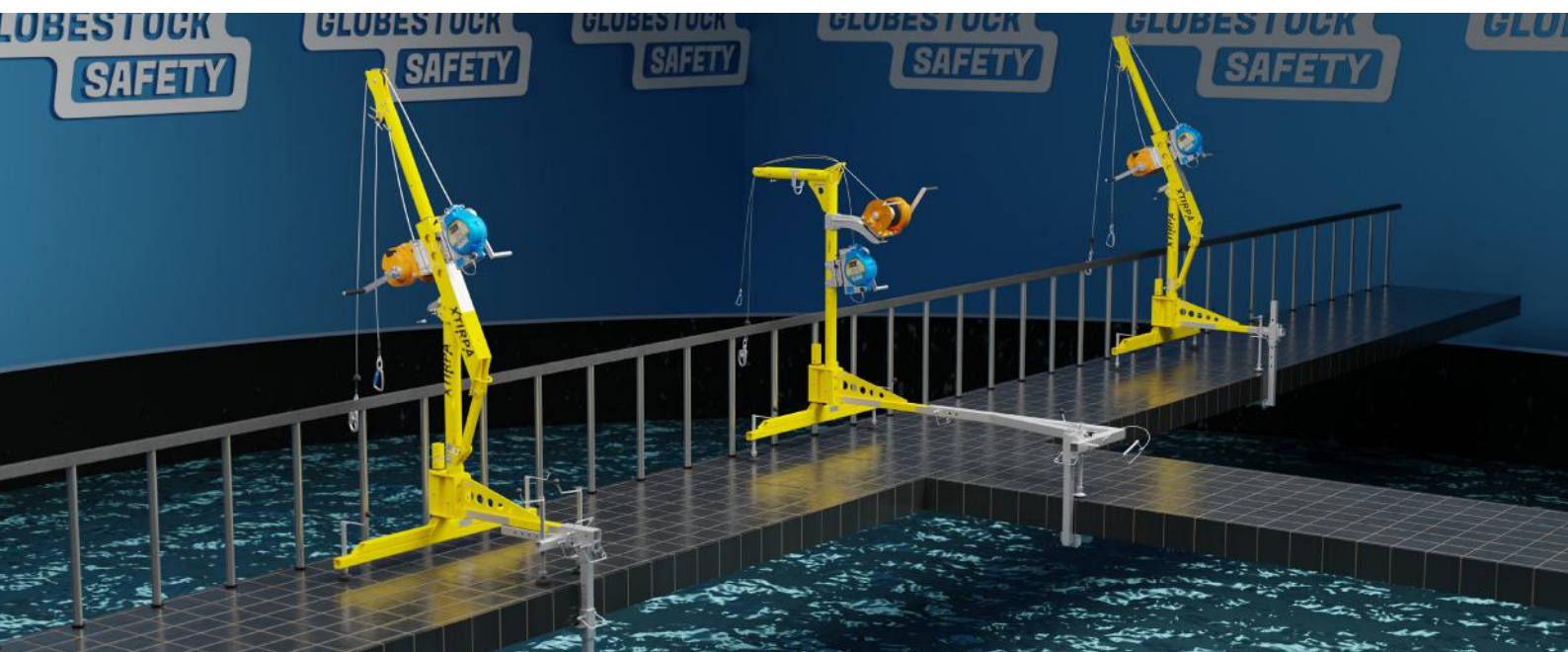
Wall Adapter  
IN-2348



Vehicle Adapter  
IN-2517

## EXTENSION COMPONENTS

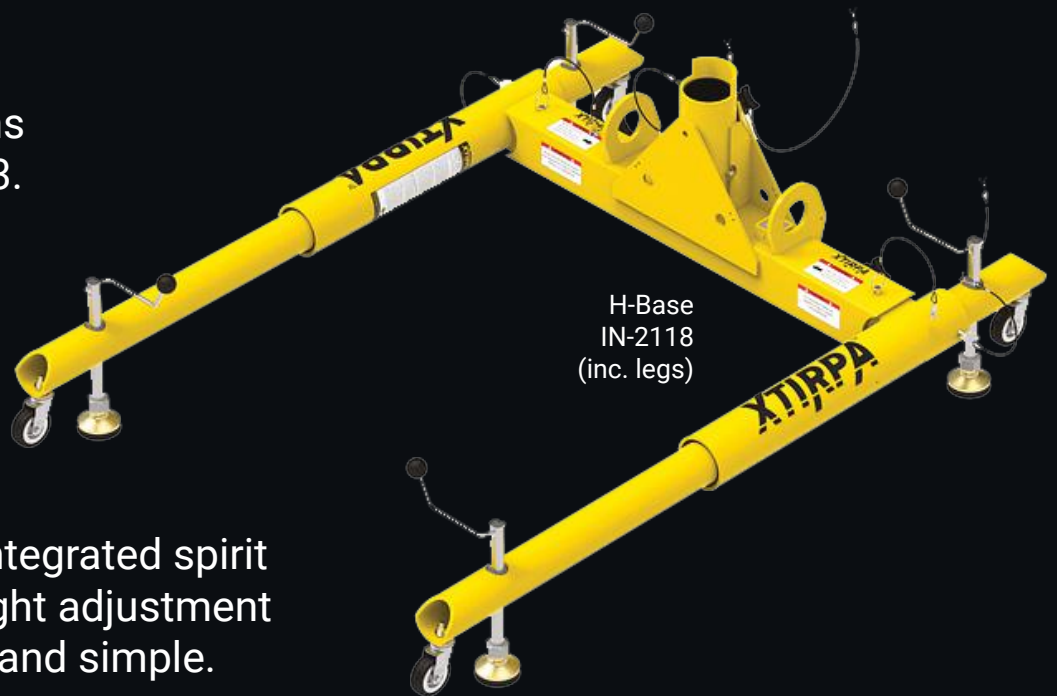
Code	Description
A2126-07	Universal Joint Assembly
A2126-09	Extension - 1829 mm
A2126-10	90° Extension - 1321 mm
A2126-56	Reducer - 63.5 to 51 mm
A2126-66	Extension - 1400 mm
A2126-69	Extension - 900 mm
A2305-25	T-base Reducer
A2305-55	Adapter



## IN-8004 EASY MOVE ACCESS SYSTEM

The H-Base is ideal when there's a need to move the equipment between different access points. Heavy duty wheels allow the system to be repositioned easily. Adjustable to cover widths from 914 mm to 1524 mm.

Use with davit arms  
IN-2210 or IN-2483.



H-Base  
IN-2118  
(inc. legs)

Extendable legs, integrated spirit level and easy height adjustment make setup quick and simple.



Davit Arm  
IN-2483

Davit Arm  
IN-2210 + IN-2003

H-Base  
IN-2118



# XTIRPA™ MANHOLE COLLAR

## IN-8014 SECURE ANCHORAGE FOR OPENINGS

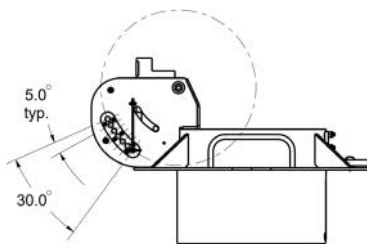
Suitable for a wide range of opening sizes. Allows the angle of the mast to be adjusted, enabling fitment on gradients.

A range of accessories available.

Manhole Collar  
IN-2498P



Most are adjustable from 0 to 30° at 5° increments.



Code	Opening Size	Features
IN-2287	406 - 457mm	Circular, powdercoated, 0-30°
IN-2219	457 - 508 mm	
IN-2220	508 - 559 mm	
IN-2221	559 - 610 mm	
IN-2217	610 - 660 mm	
IN-2222	660 - 711 mm	
IN-2218	711 - 762 mm	
IN-2167	762 - 813 mm	
IN-2223	813 - 864 mm	
IN-2224	864 - 914 mm	
IN-2469	381 - 584 mm	Rectangular with rounded corners, powdercoated, 0-45°
IN-2534	400 - 600 mm	Splittable, powdercoated
IN-2504	597 - 648 mm	
IN-2475	610 mm	Powdercoated, 0-45°
IN-2486P	406 - 457 mm	Circular, anodised, 0-30°
IN-2496P	457 - 508 mm	
IN-2497P	508 - 559 mm	
IN-2490P	559 - 610 mm	
IN-2498P	610 - 660 mm	
IN-2499P	660 - 711 mm	
IN-2500P	711 - 762 mm	
IN-2487P	762 - 813 mm	



Anodised Davit Arm  
IN-2395P

Anodised Manhole Collar  
IN-2497P

## IN-8008

### VERTICAL OR HORIZONTAL ENTRY & RETRIEVAL

Pole hoist system with swivel-head for vertical or horizontal retrieval and fall arrest. Adjustable length. Use with a certified anchor point.

- Two arm sizes are available:
- 1218 - 1829 mm (IN-2337)
  - 1448 - 2591 mm (IN-2338)



Jib Adapter  
IN-2241



Flange Adapter  
IN-2242



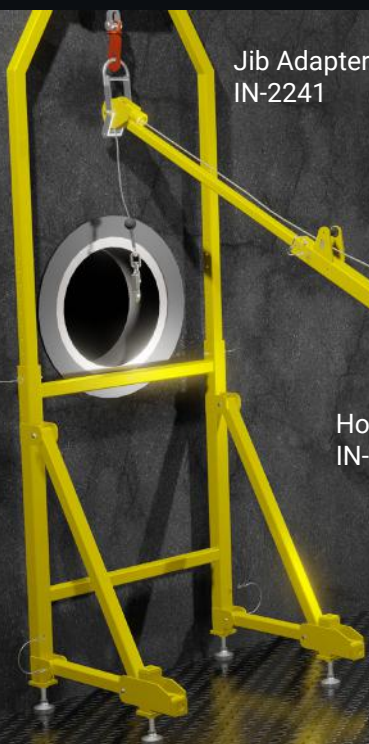
T Bar  
(see table)



Ring Adapter  
IN-2087

T Bars	
Code	Height
IN-2274	332 - 378 mm
IN-2127	913 - 1218 mm
IN-2256	1189 - 1900 mm

Each hoist arm fits on top of an adjustable T-Bar for stability.



Jib Adapter  
IN-2241

Flange Adapter  
IN-2242

Hoist Arm  
IN-2337 / IN-2338

T Bar

## IN-8025 ADVANCED POLE HOIST WITH MULTI-ANGLE HEAD

Multi-angle hoist system equipped with fast lock pins for multiple configurations. Lightweight and extendable.

- Just 9.7 kg
- Adjustable T Bar
- Folds flat for storage
- Light to carry, fast to deploy
- Multi-angle head for adaptability
- Premium grade anodised aluminium



Pole Hoist System  
IN-2557



# XTIRPA™ UNIVERSAL ANCHOR POST

## IN-8021 MODULAR FALL ARREST POST SYSTEM

The XTIRPA Universal Anchor Post system is designed to handle a variety of fall protection applications. It can be installed on flat indoor or outdoor surfaces, rocky or dirt ground and can even be mobilised with a vehicle hitch mount system.

Designed as a three person, horizontal lifeline or fall protection and retrieval device, it's truly universal.

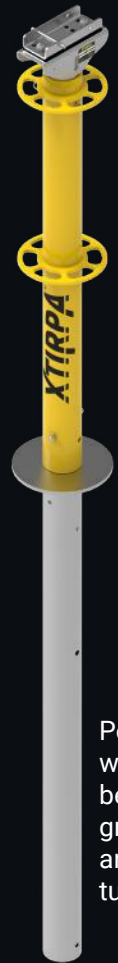


SRL / Winch Support  
A5032-07



Post A5032-01

Below-ground Anchor Tube	Tube Diameter
A5032-35	3.5" / 89 mm
A5032-40	4" / 102 mm
A5032-45	4.5" / 114 mm
A5032-50	5" / 127 mm
A5032-55	5.5" / 140 mm
A5032-60	6" / 152 mm
A5032-65	6.5" / 165 mm
A5032-80	8" / 203 mm



Post with  
below-ground  
anchor tube

A lifeline may be tensioned between two posts to create a horizontal lifeline system.



Floor adapter  
socket IN-2570



Vehicle Hitch Mount  
A5032-15



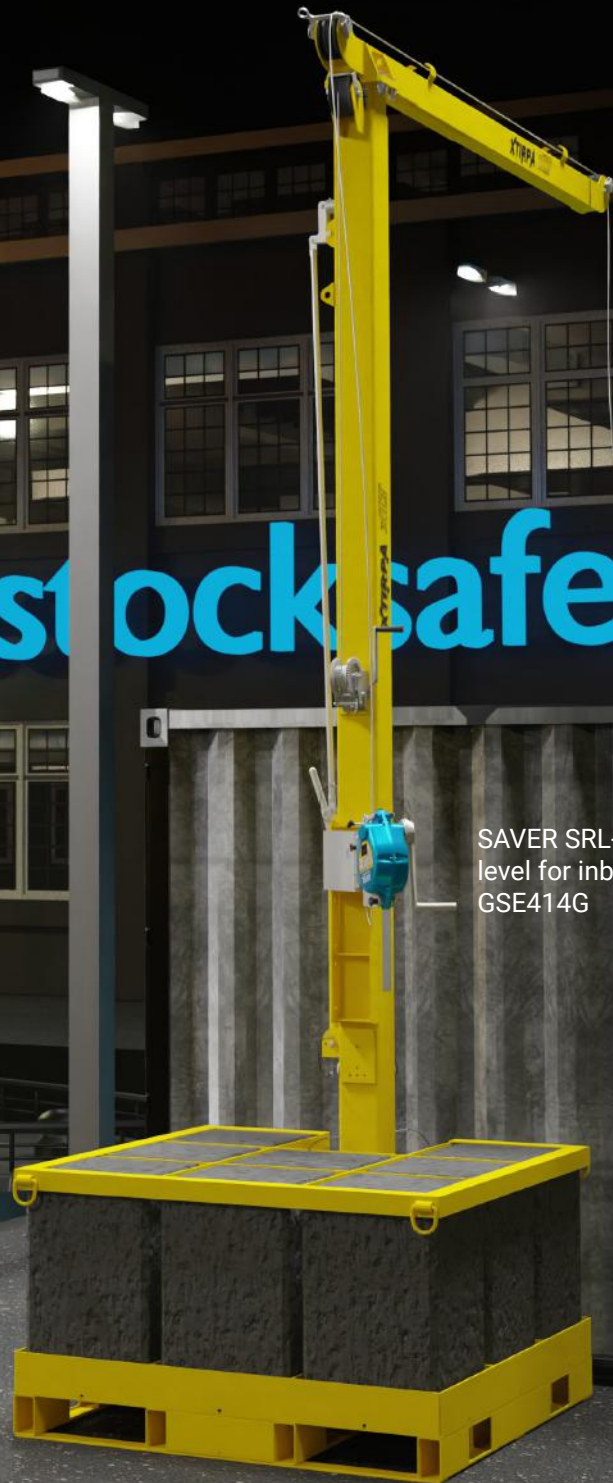
AUTOREEL

Floor adapter  
socket IN-2570

## **IN-8020 / 8022**

### **TELESCOPIC ANCHORAGE FOR WORKING AT HEIGHT**

The SRL-R fits to the mast at ground level, providing an inbuilt rescue plan.

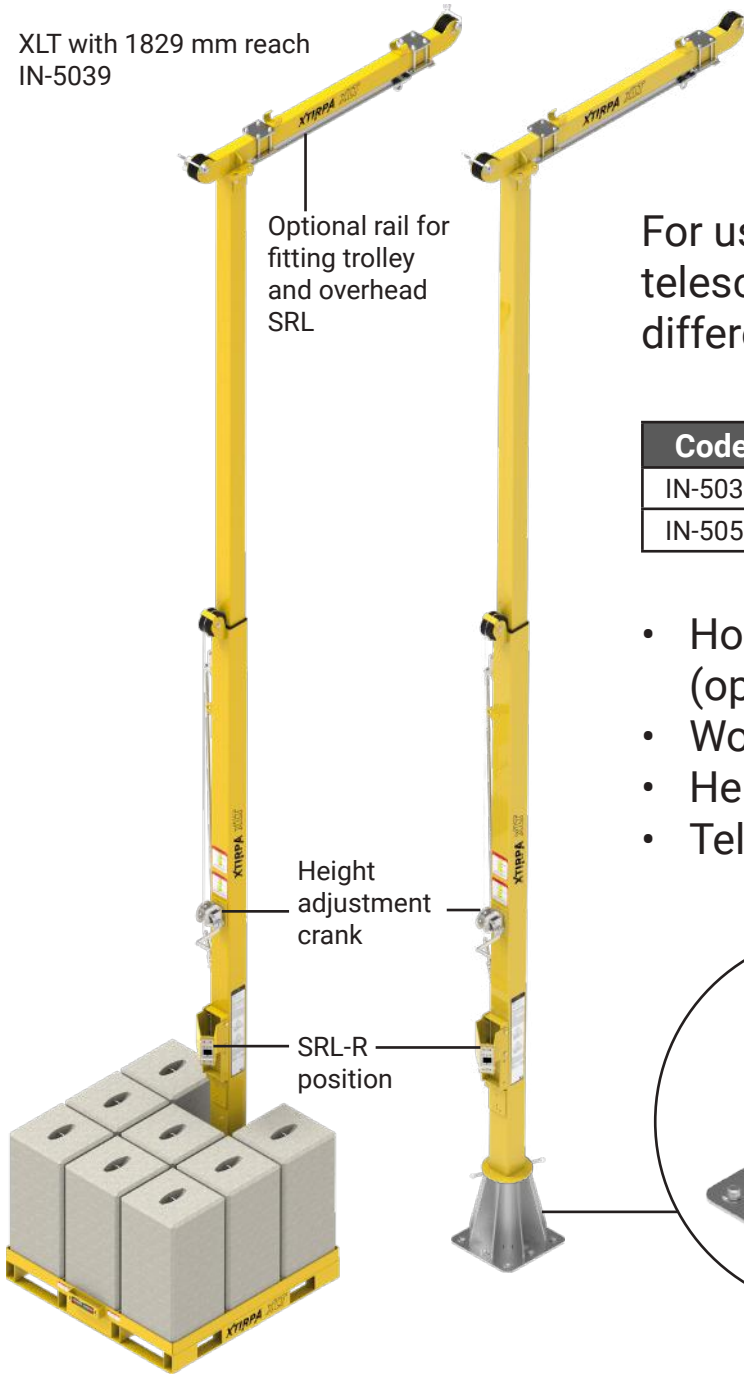


XLT with 2743 mm reach  
IN-5054

SAVER SRL-R, mounted at ground level for inbuilt rescue plan.  
GSE414G

Concrete blocks with retention grid.  
A5039-46 + A5039-58 + A5039-12

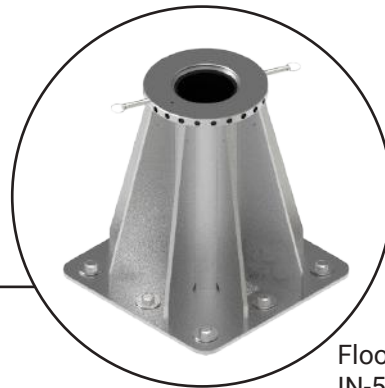
XLT with 1829 mm reach  
IN-5039



For use on elevated platforms. Two telescopic XLTs are available with different reaches:

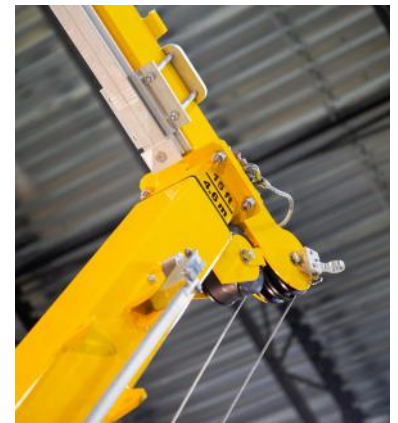
Code	Reach	Height
IN-5039	1829 mm	Adjustable from 4762 to 7727 mm
IN-5054	2743 mm	(if fitted to Floor Adapter IN-5040)

- Horizontal rail and trolley for SRL (optional extras)
- Working position lock mechanism
- Height adjustment crank
- Telescopic mast



Floor Adapter  
IN-5040

Code	Accessory
A5039-12	Base for adjustable davit arm
A5039-40	Rail for XLT IN-5039
A5039-45	Set of bolts for XLT base
A5039-46	Retention grid for concrete blocks
A5039-57	Kit of 8 moulds & installation hardware (no concrete)
A5039-58	Kit of 8 mould with concrete poured
A5042-15	Ladder stabiliser
A5054-04	Rail for XLT IN-5054
IN-5040	Floor adapter, stainless steel



# **XTIRPA™ FIXED-MAST XLT**

## **IN-8023**

### **FIXED HEIGHT ANCHORAGE FOR WORKING AT HEIGHT**

Offering 2749 mm reach, the Fixed Mast XLT can cover a range of height options from 2848 mm to 7477 mm. The SRL-R fits to the mast at ground level, providing an inbuilt, straight-forward rescue plan.

[www.globestock.com.au](http://www.globestock.com.au)

SAVER SRL-R, mounted at ground level for inbuilt rescue plan.  
GSE414G

Concrete blocks with retention grid.  
A5039-46 + A5039-58 + A5039-12





Fixed Mast XLT  
IN-5056

Optional rail for  
fitting trolley  
and overhead  
SRL

Extension Combination	Height *
IN-5056 only	2848 mm
IN-5056 + A5055-09	4061 mm
IN-5056 + A5055-10	5159 mm
IN-5056 + A5055-09 x2	5258 mm
IN-5056 + A5055-09 + A5055-10	6379 mm
IN-5056 + A5055-09 x3	6499 mm
IN-5056 + A5055-10 x2	7477 mm

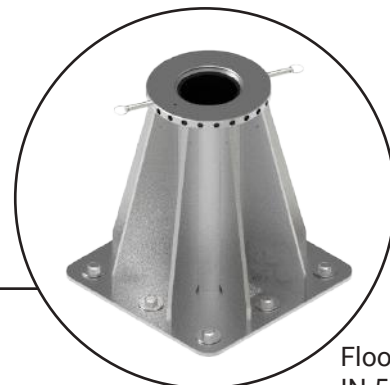
\* when fitted to floor adapter IN-5040

Code	Accessory
A5054-04	Rail for XLT IN-5056
A5039-27	Additional SRL / Winch Mounting Bracket
A5055-09	1219 mm long Mast Extension
A5055-10	2318 mm long Mast Extension
A5039-57	Kit of 8 moulds & installation hardware (no concrete)
A5039-58	Kit of 8 mould with concrete poured
A5039-46	Retention grid for concrete blocks
A5039-12	Grid Base
IN-5040	Floor Adapter, stainless steel

2318 mm Mast Extension  
A5055-10

SAVER SRL-R

- Horizontal rail and trolley for SRL (optional extras)
- Extensions may be combined
- 2749 mm reach
- Up to 7477 mm height \*



Floor Adapter  
IN-5040

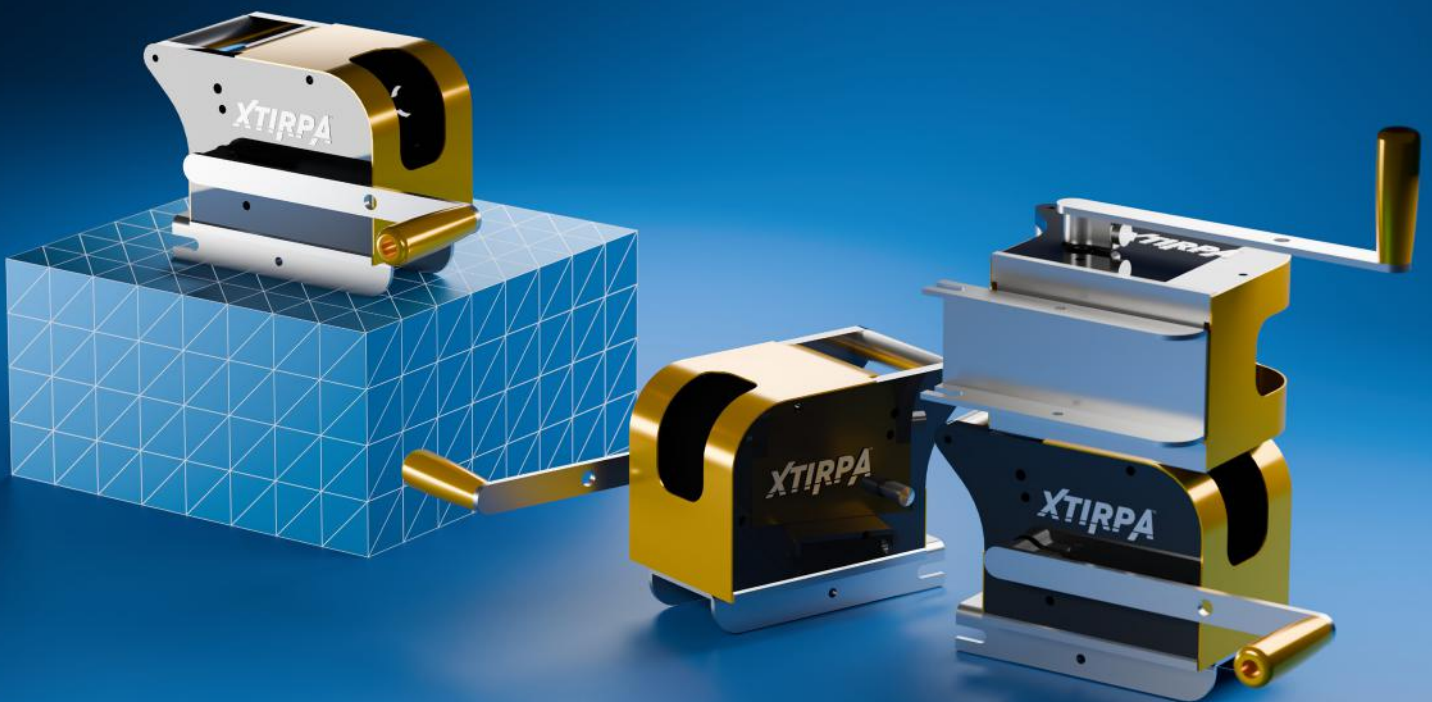
## IN-2477

### LIGHT, COMPACT MAN/MATERIAL WINCH

15 m (49 ') of galvanised or stainless steel cable. The handle can be located on either side of the unit.

Constructed using advanced materials and precision engineering, this winch offers an unparalleled combination of power and portability. The lightweight design ensures ease of handling and transport. Swift cable replacement reduces downtime.

- Lightweight and compact
- 59 - 140 kg (130 - 310 lb) WLL
- Swappable handle (left or right)
- Magnetic winch arm holder
- Premium-grade aluminium



# XTIRPA™ BRACKETS

Code	Compatibility
GSE200WBX	Globestock WINCH
GSEABX14	SAVER or STOP 10 - 14 m (33 - 46 ft)
GSEABX20	SAVER or STOP 20 m (66 ft)
GSEABX34	SAVER or STOP 30 - 34 m (99 - 112 ft)



GSEABX14

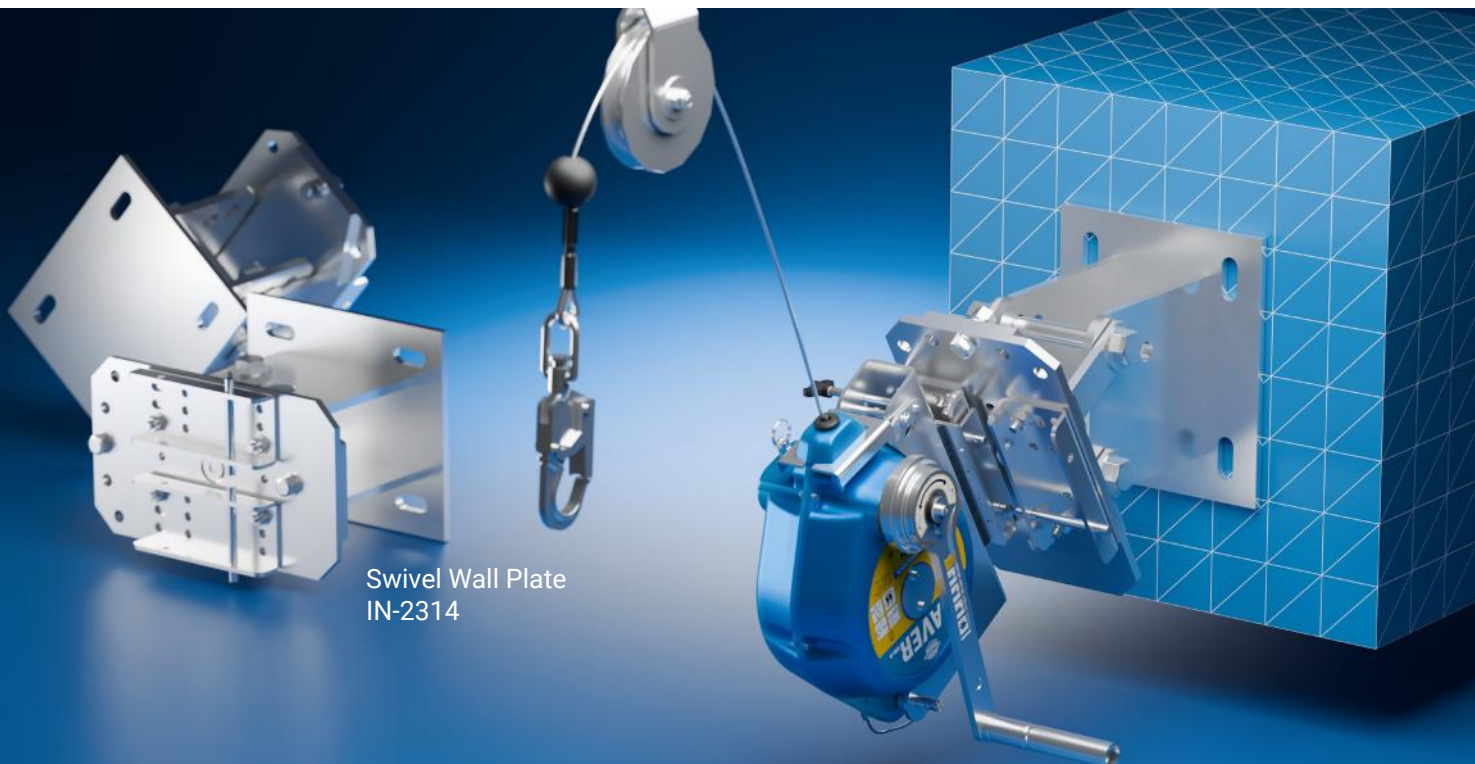
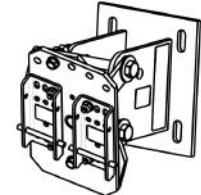
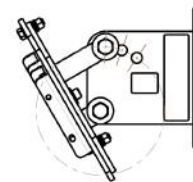
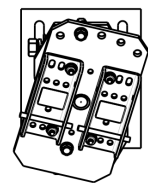
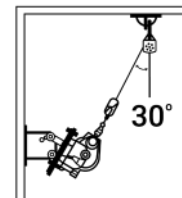


GSE200WBX

# XTIRPA™ SWIVEL WALL PLATE

## IN-2314

Use to install a fall arrester and / or winch below a pulley system for confined space access. Use with concrete walls. Made from stainless steel.



Swivel Wall Plate  
IN-2314

October 2024

Globestock Ltd. reserve the right to change specifications without prior notice.  
All information herein is copyright protected by Globestock Ltd. 2024.  
The Globestock name is a registered trademark of Globestock Ltd.  
The GUARD LOAD ARREST logo is a registered trademark of Globestock Ltd.



[www.globestocksafety.com](http://www.globestocksafety.com)