

NOBLE | R60 | R80 | R100 | R120

LIFTKING
Manufacturing Corp.



ROUGH TERRAIN FORKLIFTS

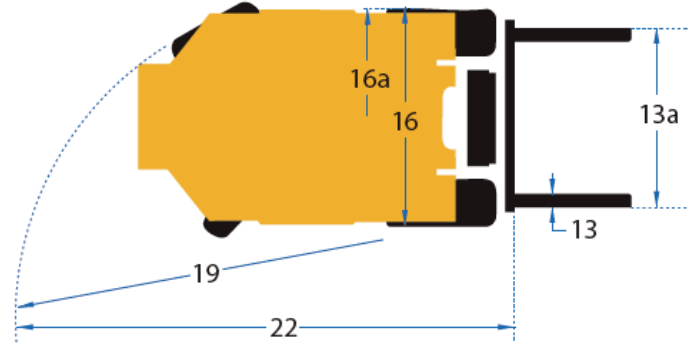
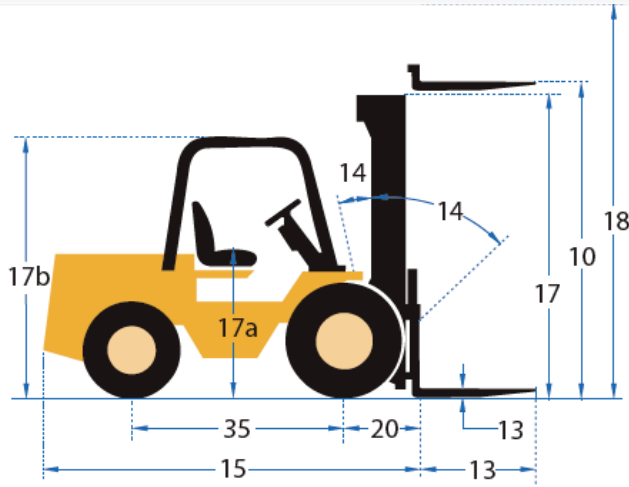


STEER COLUMN: Self contained, fully adjustable, tilt and telescopic steer column.



LEAF SPRING SUSPENSION: Offerin superior comfor and load control





Characteristics

Model	
Drive Type	
Rated Capacity	lb (kg)
Load Center	in (mm)

Dimensions

13	Lift, standard mast	maximum fork height, loaded	in (mm)
		freelift fork height	in (mm)
13a	Forks	length x width x thickness	in (mm)
		minimum / maximum	in (mm)
14	Fork Spacing, out-to-out		in (mm)
15	Mast Tilt	forward / back	degrees
		length to fork face	in (mm)
16	Overall Dimensions	width	in (mm)
		height	in (mm)
17a	height	with lowered mast	in (mm)
		seat height	in (mm)
		to top of overhead guard	in (mm)
18	with extended mast (top of carriage)		in (mm)
			in (mm)
19	Minimum Outside Turning Radius		in (mm)
20	Load Moment Constant	from center of front axle to fork face	in (mm)
22	Minimum Aisle - 90 degree stack	(add load length and clearance)	in (mm)

R60		R80		R100		R120	
2WD	4WD	2WD	4WD	2WD	4WD	2WD	4WD
6000 (2720)		8000 (3650)		10000 (4540)		12000 (5445)	
24 (610)		24 (610)		24 (610)		24 (610)	

168 (4270)		168 (4270)		168 (4270)		168 (4270)	
5.7 (145)		5.7 (145)		5.7 (145)		5.7 (145)	
48x5x2 (1220x125x50)		48x5x2 (1220x125x50)		48x5x2 (1220x125x50)		48x5x2 (1220x125x50)	
9.8 / 76.8 (250 / 1950)		9.8 / 76.8 (250 / 1950)		9.8 / 76.8 (250 / 1950)		9.8 / 76.8 (250 / 1950)	
45 / 12		45 / 12		45 / 12		45 / 12	
146 (3710)		146 (3710)		162 (4115)		166 (4215)	
88 (2235)		89 (2260)		88 (2235)		88 (2235)	
88 (2235)		88 (2235)		93.5 (2375)		88 (2235)	
88 (2235)		88 (2235)		93.5 (2375)		88 (2235)	
124.5 (3160)		130.5 (3315)		124.5 (3160)		130.5 (3315)	
131.5 (3340)		137.5 (3490)		131.5 (3340)		137.5 (3490)	
54 (1370)		59 (1500)		54 (1370)		59 (1500)	
98 (2490)		103.5 (2630)		98 (2490)		105 (2670)	
217.5 (5525)		223.5 (5675)		217.5 (5525)		223.5 (5675)	
224.5 (5700)		232 (5890)		224.5 (5700)		232 (5890)	
180 (4570)		186.5 (4740)		180 (4570)		186.5 (4740)	
212 (5385)		250 (6350)		212 (5385)		250 (6350)	
28.8 (732)		32.7 (830)		28.8 (732)		32.7 (830)	
29.2 (740)		33 (840)		29.2 (740)		33 (840)	
204.5 (5195)		220 (5590)		204.5 (5195)		220 (5590)	
294 (7470)		335 (8510)		294 (7470)		335 (8510)	

Performance

Maximum Travel Speed	standard	mph (km/h)
	towable (R60 & R80 2WD only)	mph (km/h)
Lift Speed	loaded / unloaded	fpm (m/s)
	loaded / unloaded	fpm (m/s)
Lowering Speed	loaded / unloaded	fpm (m/s)
	loaded / unloaded	fpm (m/s)
Drawbar Pull @ 1.0 mph (1.6 km/h)	loaded	standard (R60 & R80 2WD only)
	unloaded	standard and towable
Gradeability @ 1.0 mph (1.6 km/h)	loaded	%
	unloaded	%

19.5 (31.5)	15 (24)	19.5 (31.5)	15 (24)	19.5 (31.5)	13 (21)	19.5 (31.5)	13 (21)
30.5 (49)	N/A	30.5 (49)	N/A	N/A	N/A	N/A	N/A
60 / 67 (0.31 / 0.34)		52 / 67 (0.26 / 0.34)		52 / 67 (0.26 / 0.34)		52 / 67 (0.26 / 0.34)	
66 / 48 (0.34 / 0.24)		66 / 48 (0.34 / 0.24)		66 / 48 (0.34 / 0.24)		66 / 48 (0.34 / 0.24)	
10700 (4850)	10540 (4780)	13000 (5900)	10730 (4870)	11000 (4990)		11000 (4990)	
9740 (4420)	N/A	9430 (4275)	N/A	N/A		N/A	
4730 (2145)	10600 (4810)	5050 (2290)	10800 (4900)	8850 (4015)	11000 (4990)	8850 (4015)	11000 (4990)
52	59	53	50	44	42	44	42
31	59	30	58	28	58	28	58

Weight

Empty		lb (kg)	
	loaded	front rear	
Axle Load	loaded	front	lb (kg)
		rear	lb (kg)
	unloaded	front	lb (kg)
		rear	lb (kg)

12700 (5760)	14800 (6715)	14100 (6395)	16000 (7255)	17200 (7800)	18300 (8300)	18500 (8390)	19600 (8890)
15910 (7220)	17000 (7710)	18900 (8975)	20000 (9075)	23800 (10835)	25150 (11410)	26570 (12050)	28080 (12735)
2790 (1265)	3800 (1725)	3200 (1450)	4000 (1815)	3520 (1595)	3150 (1430)	3930 (1780)	3520 (1595)
6100(2765)	6650 (3015)	5800 (2630)	6200 (2810)	7880 (3575)	9100 (4130)	8480 (3845)	9750 (4420)
6600 (2995)	8150 (3700)	8300 (3765)	9600 (4445)	9320 (4230)	9200 (4175)	10020 (4545)	9850 (4470)

Chassis

Tires	dimensions	front standard tires	in
		rear	in
35 Wheelbase			in (mm)
	front w/ standard tires		in (mm)
Tread Width	rear		in (mm)
	with load	at lowest point	in (mm)
Ground Clearance		at center of wheel base	in (mm)
	service (standard)		in (mm)
Brakes	service towable (R60 & R80 2WD only)		
	parking		

15x19.5, 16 ply	15x19.5, 12 ply	18x19.5, 16 ply	15x19.5, 12 ply	18x19.5, 16 ply	18x19.5, 16 ply
14x17.5, 10 ply	15x19.5, 12 ply	14x17.5, 10 ply	15x19.5, 12 ply	14x17.5, 10 ply	18x19.5, 16 ply
82.7 (2100)	78.4 (1990)	82.7 (2100)	78.4 (1990)	98.3 (2495)	94.2 (2390)
73.6 (1870)	69.7 (1770)	73.6 (1870)	69.7 (1770)	73.6 (1870)	75 (1905)
73.2 (1860)	71.7 (1870)	73.2 (1860)	71.7 (1870)	73.2 (1860)	73.2 (1860)
9.5 (241)	7.3 (186)	9.5 (241)	7.3 (186)	9.5 (241)	8.8 (223)
12.1 (307)	12.1 (308)	12.1 (307)	15.3 (388)	12.1 (307)	16.8 (427)
Enclosed Wet Multiple Disc,	Enclosed Wet Multiple Disc,	Enclosed Wet Multiple Disc,	Enclosed Wet Multiple Disc,	Enclosed Wet Multiple Disc,	Enclosed Wet Multiple Disc,
Drum, Hydraulic	N/A	Drum, Hydraulic	N/A	N/A	N/A
Disc, Mechanical Lever		Disc, Mechanical Lever		Disc, Mechanical Lever	Disc, Mechanical Lever

Power Train

Engine	type	
	maximum power	hp (KW)
	maximum torque	ft-lbs (Nm)
	cylinders / displacement	cu.in (L)
Transmission	type	
	no. speeds forward / reverse	
Relief Pressure		psi (kPa)

CAT C4.4 Tier 3 Turbo Diesel	CAT C4.4 Tier 3 Turbo Diesel	CAT C4.4 Tier 3 Turbo Diesel	CAT C4.4 Tier 3 Turbo Diesel
91 (68) @ 2200 RPM	91 (68) @ 2200 RPM	91 (68) @ 2200 RPM	91 (68) @ 2200 RPM
390 (530) @ 1400 RPM	390 (530) @ 1400 RPM	390 (530) @ 1400 RPM	390 (530) @ 1400 RPM
4 cyl. / 268.5 (4.4)	4 cyl. / 268.5 (4.4)	4 cyl. / 268.5 (4.4)	4 cyl. / 268.5 (4.4)
power shuttle	power shuttle	power shuttle	power shuttle
4 / 4	4 / 4	4 / 4	4 / 4
2500 (17240)	2500 (17240)	2500 (17240)	2500 (17240)



ALSO AVAILABLE



RT SERIES



RC SERIES



RC LO-PRO

Liftking reserves the right to make changes in specifications shown, herein, and improvements, or discontinue manufacture at any time without notice or obligation. The information contained herein is general in nature and is not intended for specific application purposes.

Liftking 7135 Islington Avenue, Woodbridge, Ontario. L4L 1V9 Tel: 905-265-3965 | Fax: 905-851-6396

www.liftking.com

01/2017

STANDARD EQUIPMENT:

Heavy Duty Roller Mast • Leaf Spring Suspension • Oil Cooled Submerged Disc Brakes • Manual dry-disc parking brake • Power Steering • Headlights, tail lights, reverse lights, and turn signals • External side view mirrors. • Reinforced Overhead Guard • Wide-grip Handrails • Extra wide steps. • Electric Horn and automatic Backup alarm • Tilt steering column with anti-restart ignition and neutral safety interlock • Adjustable vinyl suspension seat with arm rests and retractable safety belt • Engine oil pressure gauge, fuel gauge, tachometer, hour meter, and warning lights • Lockable engine hood, fuel and hydraulic caps • Air pre-cleaner • Designated tie-down lugs • Operator, maintenance and illustrated parts manuals • 1 Year 2000 hours warranty

OPTIONAL EQUIPMENT:

Various mast/carriage/fork types and sizes • Various engines • Buckets and other attachments • Powershift electronic transmission • Adjustable height Strobe Light • Additional lighting • DS Rating • 2-Piece Split Door • Tinted Windows • Sunvisor • 4 Wheel Brakes • Power Assisted Brakes • Dead-man seat • Safety-Start Seatbelt • Heated Mirrors • Cold Weather Package • 12V Outlet • CD / Radio • Cupholders • Enclosed all weather operator compartment with HD heater, sliding windows, wipers • ROPS Operator compartment • Air Conditioning • Air ride suspension seat with arm rests and retractable safety belt • Foam filled tires • Frame level • Contact dealer for other options.

*Lo-Profile Mast conguration available for working inside ISO shipping containers.



Lowry Industrial Lift Trucks

Handle heavy loads within minimal space



Military

Used worldwide in peacetime and war time



Dynalugger

A complete system to fit your handling needs



Transporter

Move any heavy object



Straight Mast

Exceptional ground clearance, Ergonomics, Easy Operation



Noble Series

Innovative Engineering, Design Excellence and Quality