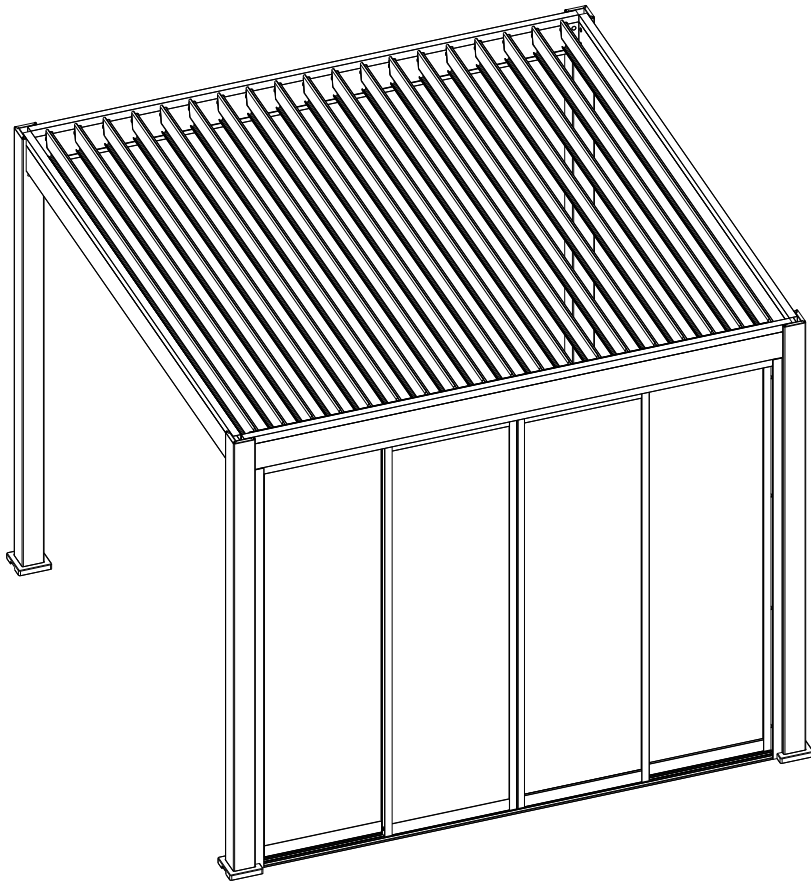



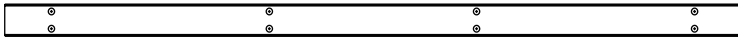






# Fabric Sliding Door Installation Guide




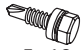


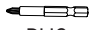




# PARTS LISTS (PER CARTON)

## 2.65M



No.	Profile	Diagram	Size	QTY
A			95X50 L=2365mm	2
B			40X85 L=2419mm	1
C			9X86 L=2419mm	1
D			6X16 L=2419mm	1

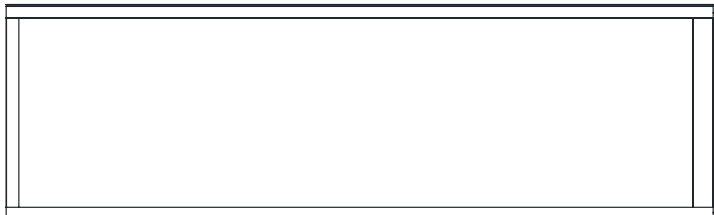

No.	Diagram	QTY
T1	 3.9×19mm	5
T2		10
T3	 8×100	5
T4	 5×19	10

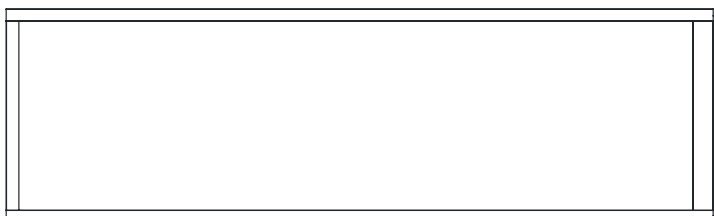

No.	Diagram	QTY
T5	 PH2	1
T6	 8mm	1
T7	 5mm	1



# PARTS LISTS (PER CARTON)

## 2.65M

No.	Diagram	QTY
E1	 2315X623	1
		









No.	Diagram	QTY
E2	 2315X623	1
		




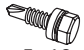
No.	Diagram	QTY
E3	 2315X623	1
		

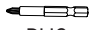
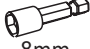

No.	Diagram	QTY
E4	 2315X623	1
		

# PARTS LISTS (PER CARTON)

## 3M



No.	Profile	Diagram	Size	QTY
A			95X50 L=2365mm	2
B			40X85 L=2724mm	1
C			9X86 L=2724mm	1
D			6X16 L=2724mm	1

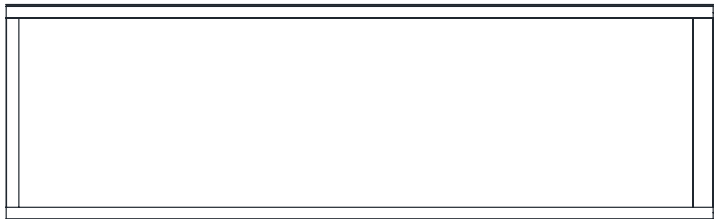

No.	Diagram	QTY
T1	 3.9×19mm	5
T2		10
T3	 8×100	5
T4	 5×19	10



No.	Diagram	QTY
T5	 PH2	1
T6	 8mm	1
T7	 5mm	1



# PARTS LISTS (PER CARTON)

## 3M

No.	Diagram	QTY
E1	 2315X699	1
		









No.	Diagram	QTY
E2	 2315X699	1
		




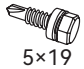
No.	Diagram	QTY
E3	 2315X699	1
		

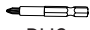
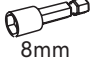

No.	Diagram	QTY
E4	 2315X699	1
		

# PARTS LISTS (PER CARTON)

## 3.6M



No.	Profile	Diagram	Size	QTY
A			95X50 L=2365mm	2
B			40X85 L=3333mm	1
C			9X86 L=3333mm	1
D			6X16 L=3333mm	1

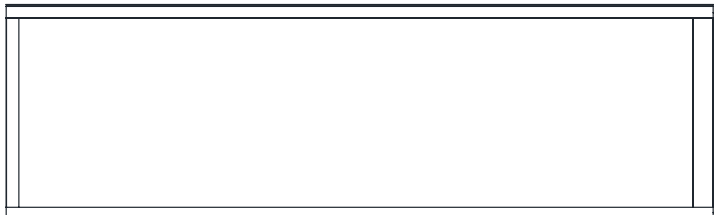

No.	Diagram	QTY
T1	 3.9×19mm	5
T2		10
T3	 8×100	6
T4	 5×19	10

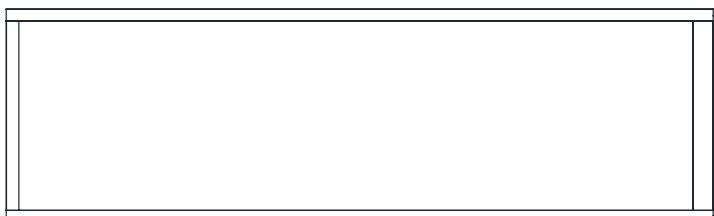

No.	Diagram	QTY
T5	 PH2	1
T6	 8mm	1
T7	 5mm	1



# PARTS LISTS (PER CARTON)

## 3.6M

No.	Diagram	QTY
E1	 2315X852	1
		







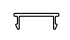

No.	Diagram	QTY
E2	 2315X852	1
		




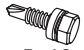
No.	Diagram	QTY
E3	 2315X852	1
		

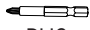
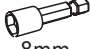

No.	Diagram	QTY
E4	 2315X852	1
		

# PARTS LISTS (PER CARTON)

## 4M



No.	Profile	Diagram	Size	QTY
A			95X50 L=2365mm	2
B			40X85 L=3639mm	1
C			9X86 L=3639mm	1
D			6X16 L=3639mm	1

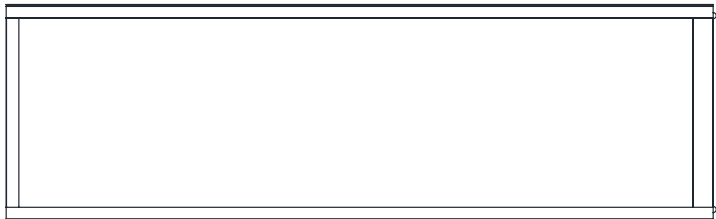

No.	Diagram	QTY
T1	 3.9×19mm	5
T2		10
T3	 8×100	6
T4	 5×19	10



No.	Diagram	QTY
T5	 PH2	1
T6	 8mm	1
T7	 5mm	1



# PARTS LISTS (PER CARTON)

## 4M

No.	Diagram	QTY
E1	 2315X928	1
		

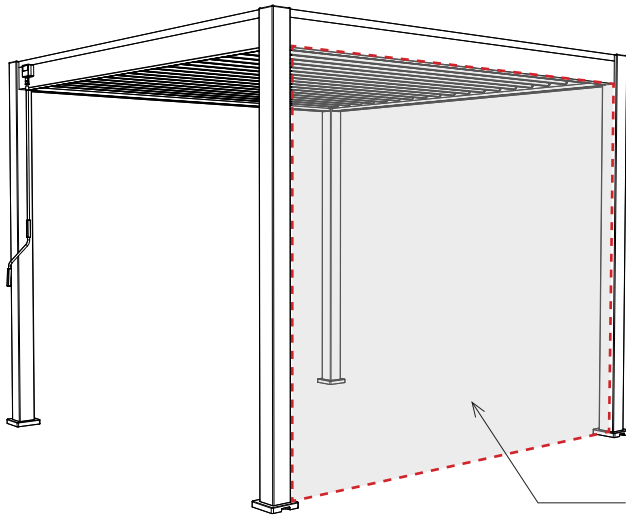
No.	Diagram	QTY
E2	 2315X928	1
		

No.	Diagram	QTY
E3	 2315X928	1
		

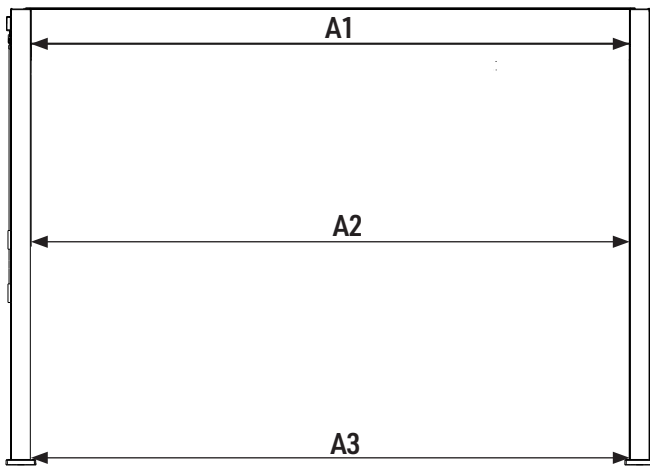
No.	Diagram	QTY
E4	 2315X928	1
		

Before installation, please make sure the dimension should be correct as the diagram shows below, namely,  $A1=A2=A3$  and  $AX=BX$ .

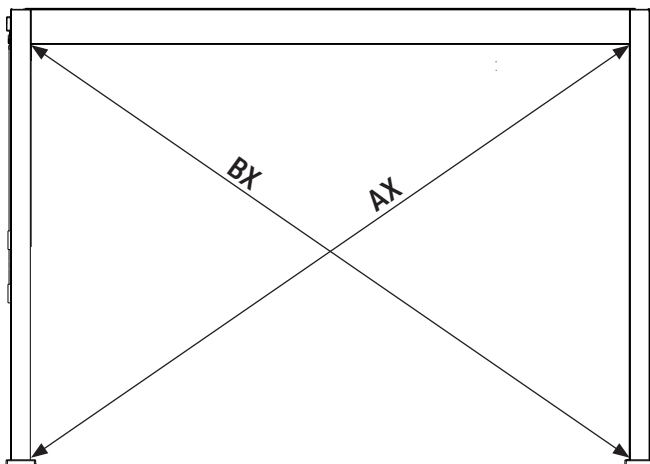
Please do not install if the dimension is incorrect. Please adjust the finished size before installing.



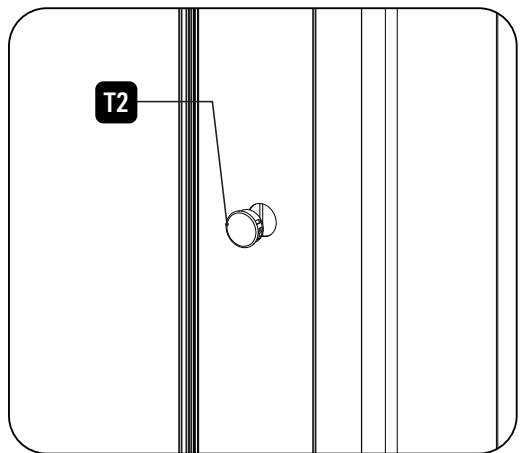
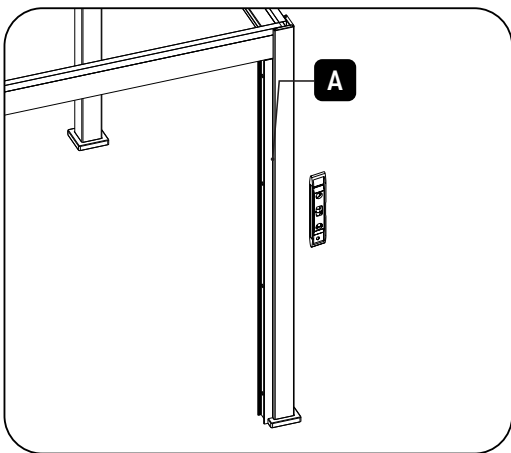
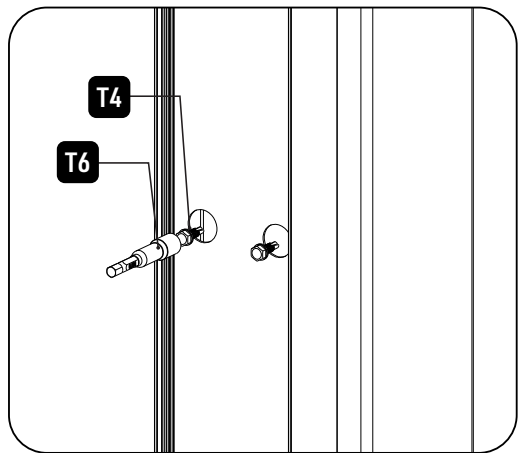
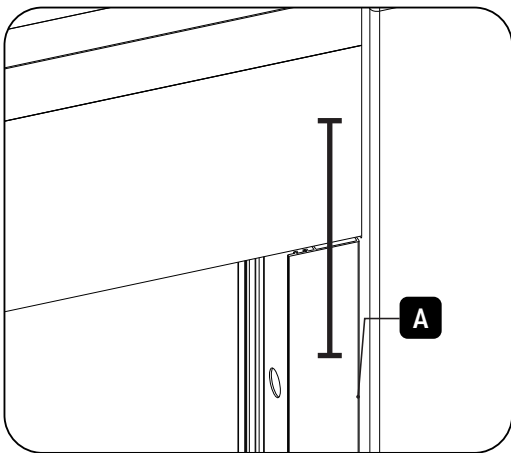
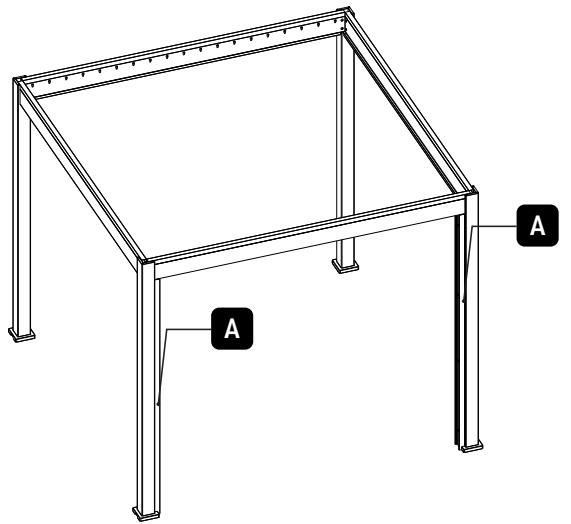
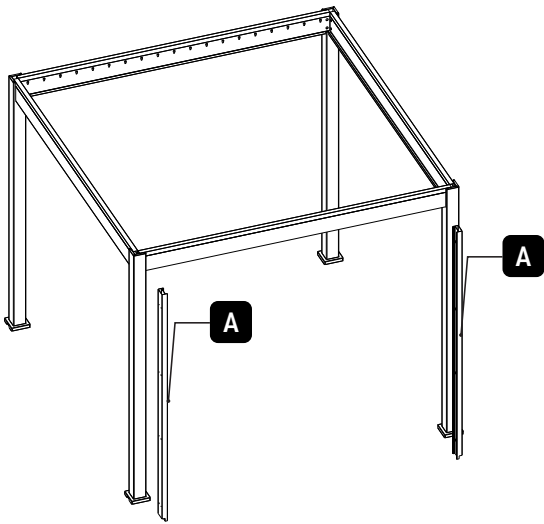
Please choose which face to install



$$A1=A2=A3$$



$$AX=BX$$

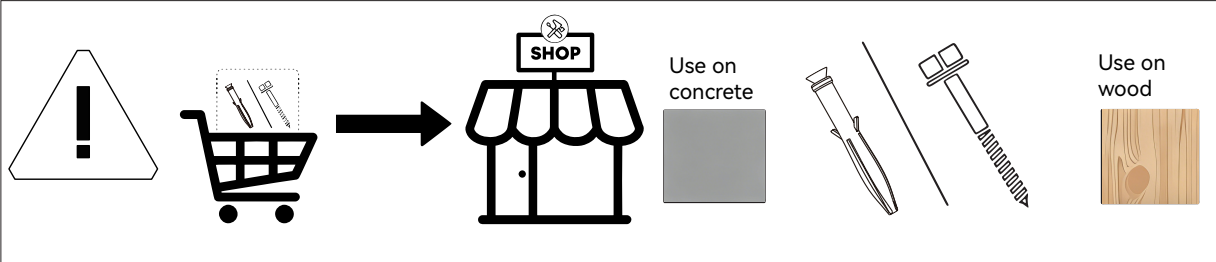


Align the border and beam outer edges.

Install screws to fasten the components, then attach the upper cover cap.

5

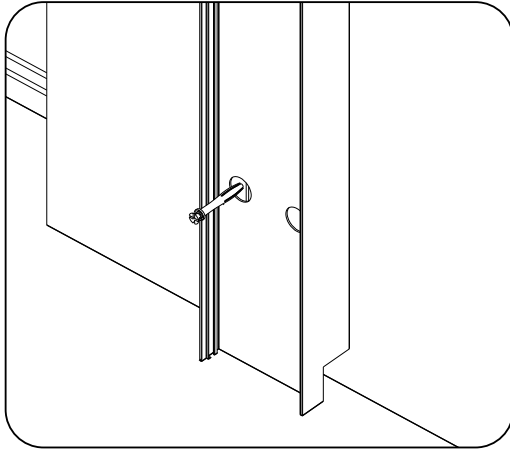
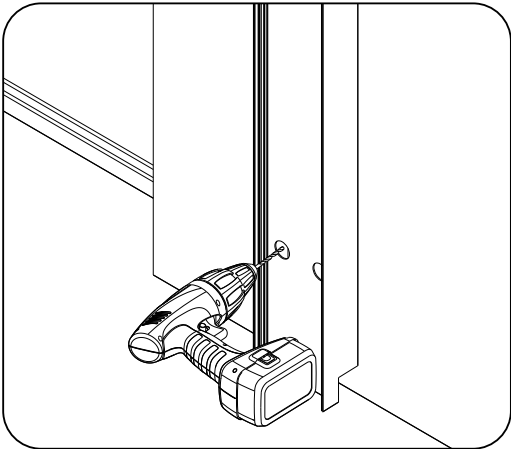
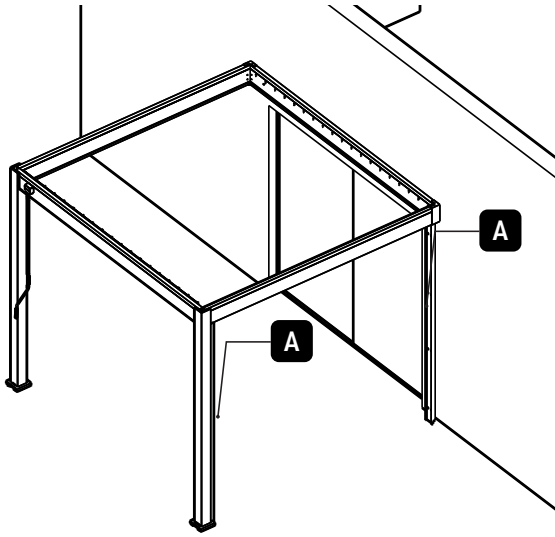
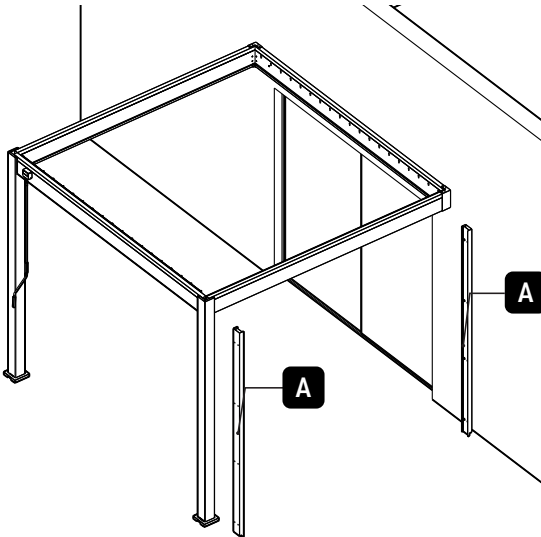
When installing your wind screen on the wall-mounted side, you will need to purchase the corresponding screws/ fasteners.



**1. Use on concrete**

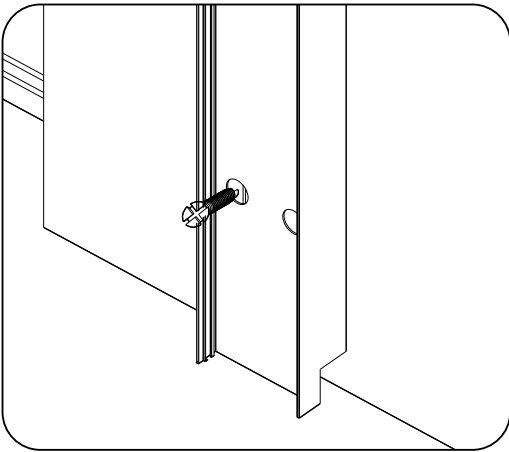
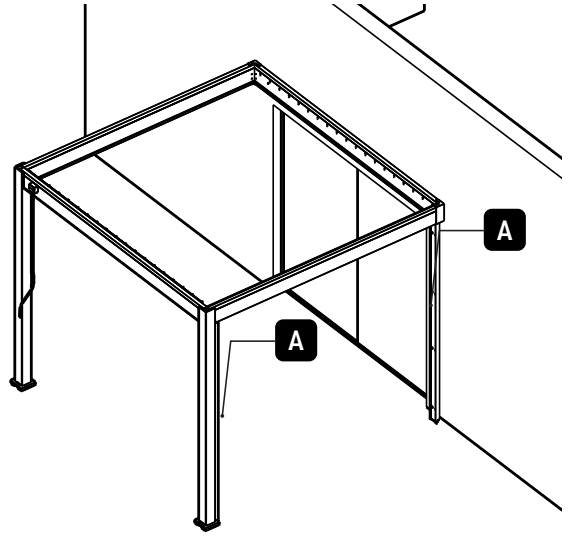
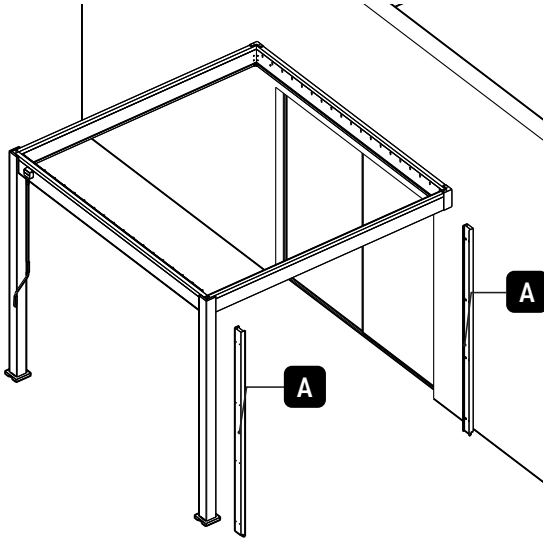
1. When installing the frame on the wall-mounted side of a single-sided pergola, first drill corresponding holes in the wall according to the positions of the holes in the lattice frame.

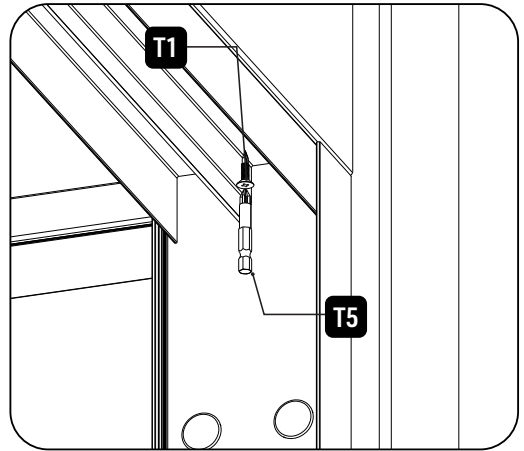
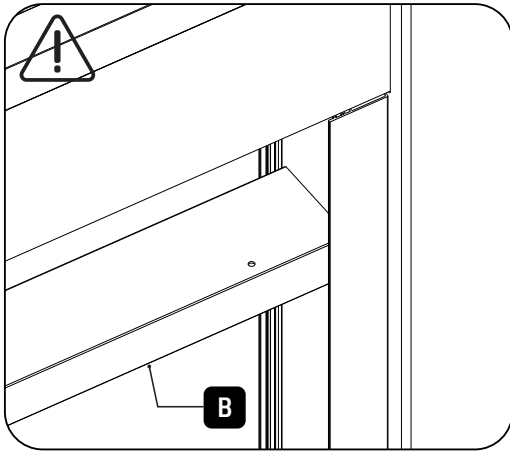
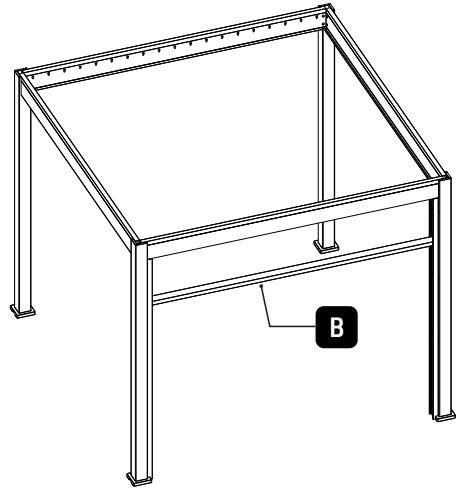
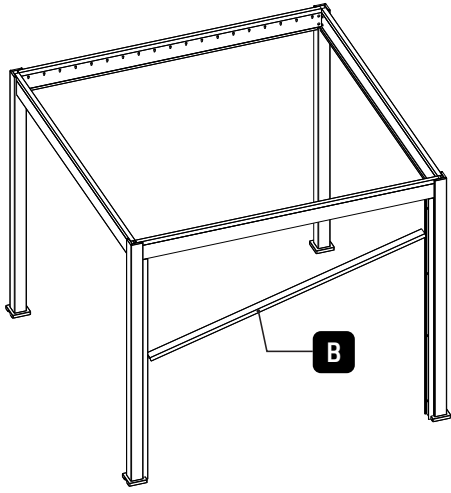
2. Install expansion screws into the pre-drilled holes to secure the wind screen frame.



## 2. Use on wood

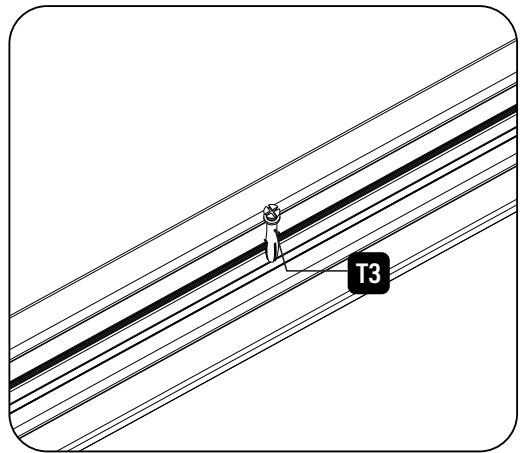
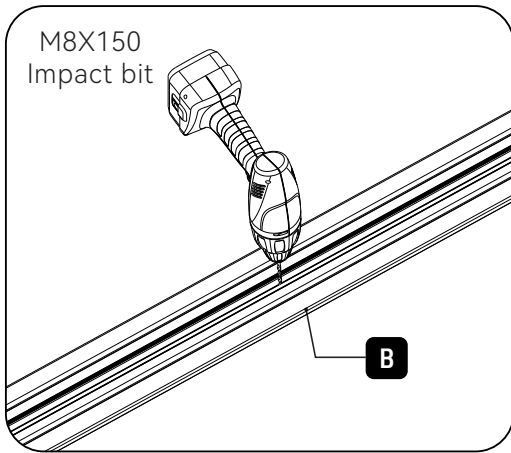
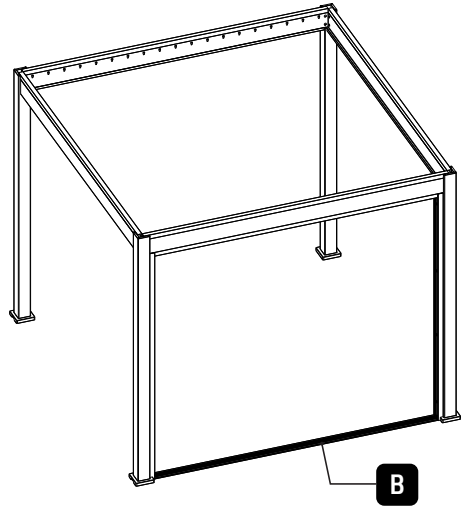
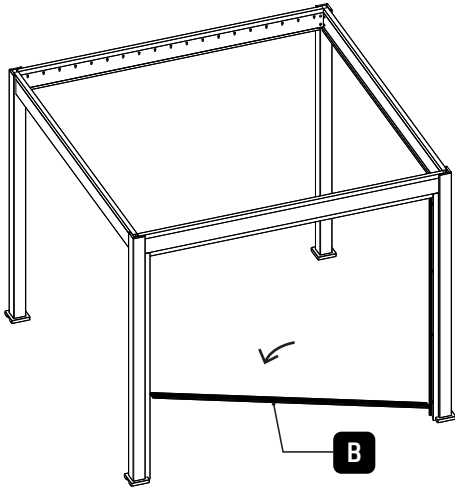
1. When the wall-mounted side is made of wooden material, directly secure the frame to the wall using fastening screws.



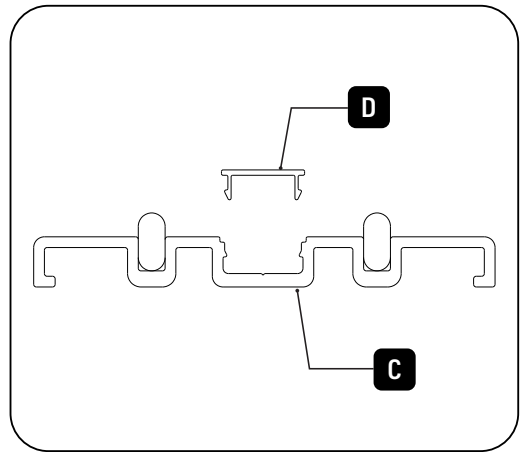
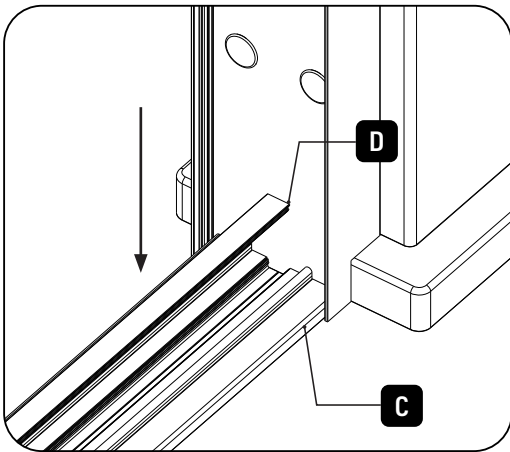
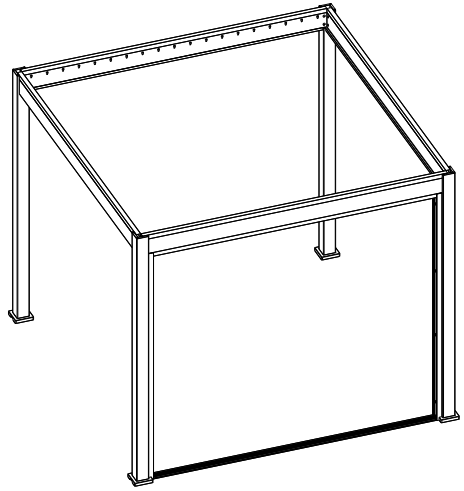
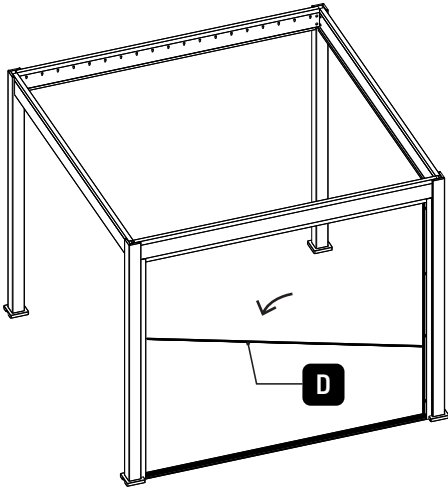


Ensure correct orientation during installation to prevent improper assembly.

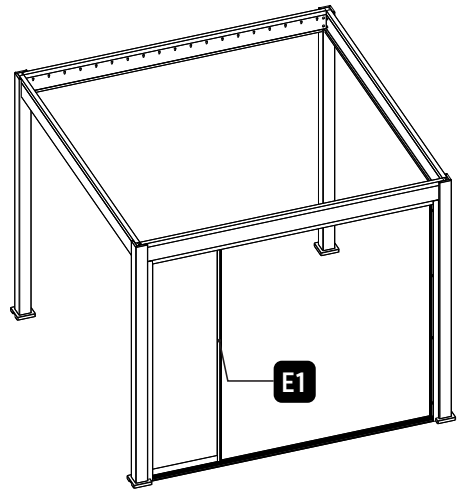
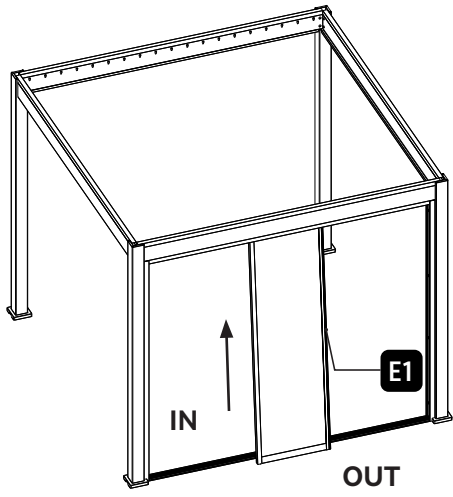
Install screws to fasten the components.



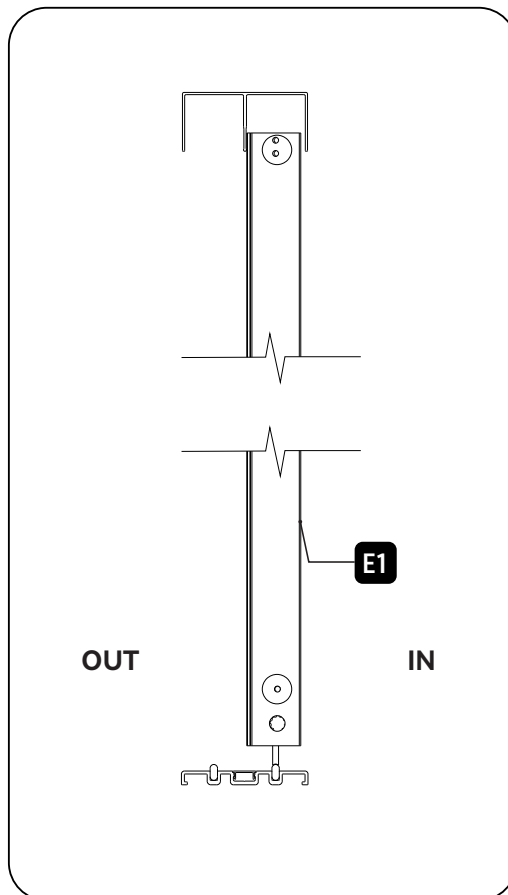
Secure the ground beam with foundation bolts.

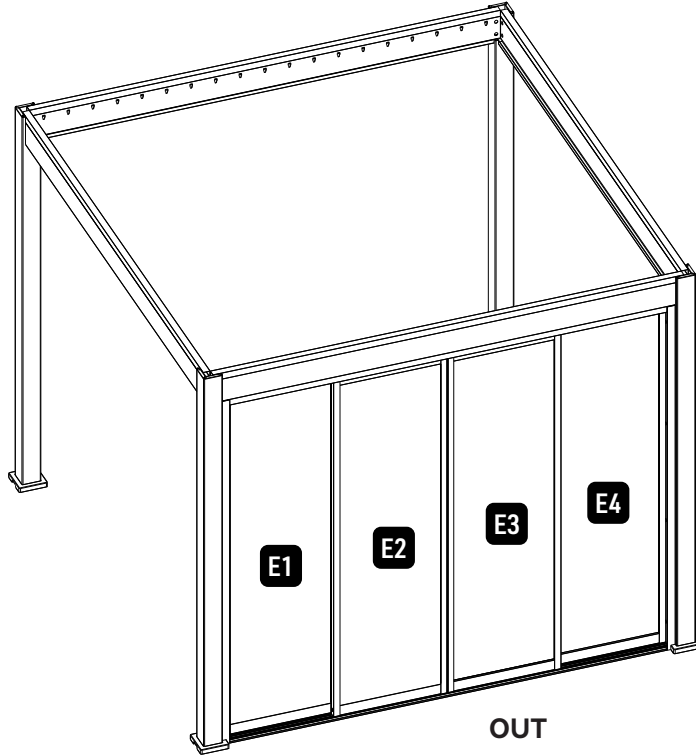


Engage the cover plate until it clicks into position.

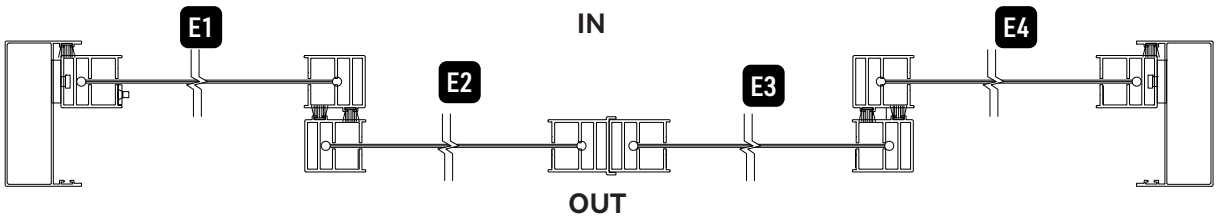


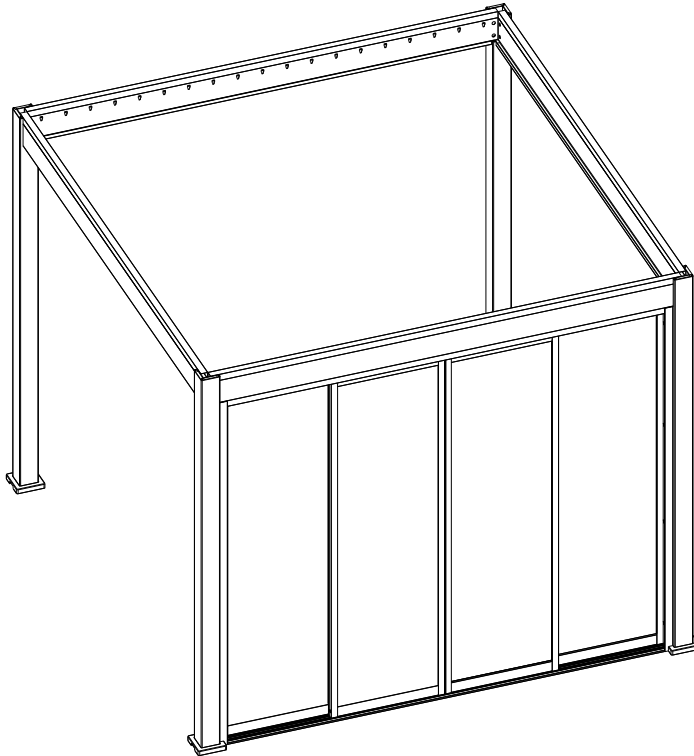
Install the textile-paneled track-mounted door assembly.





Mount the residual textile-paneled doors according to the referenced assembly diagram





Adjust textile-paneled flatness using the bottom adjustment screws.

